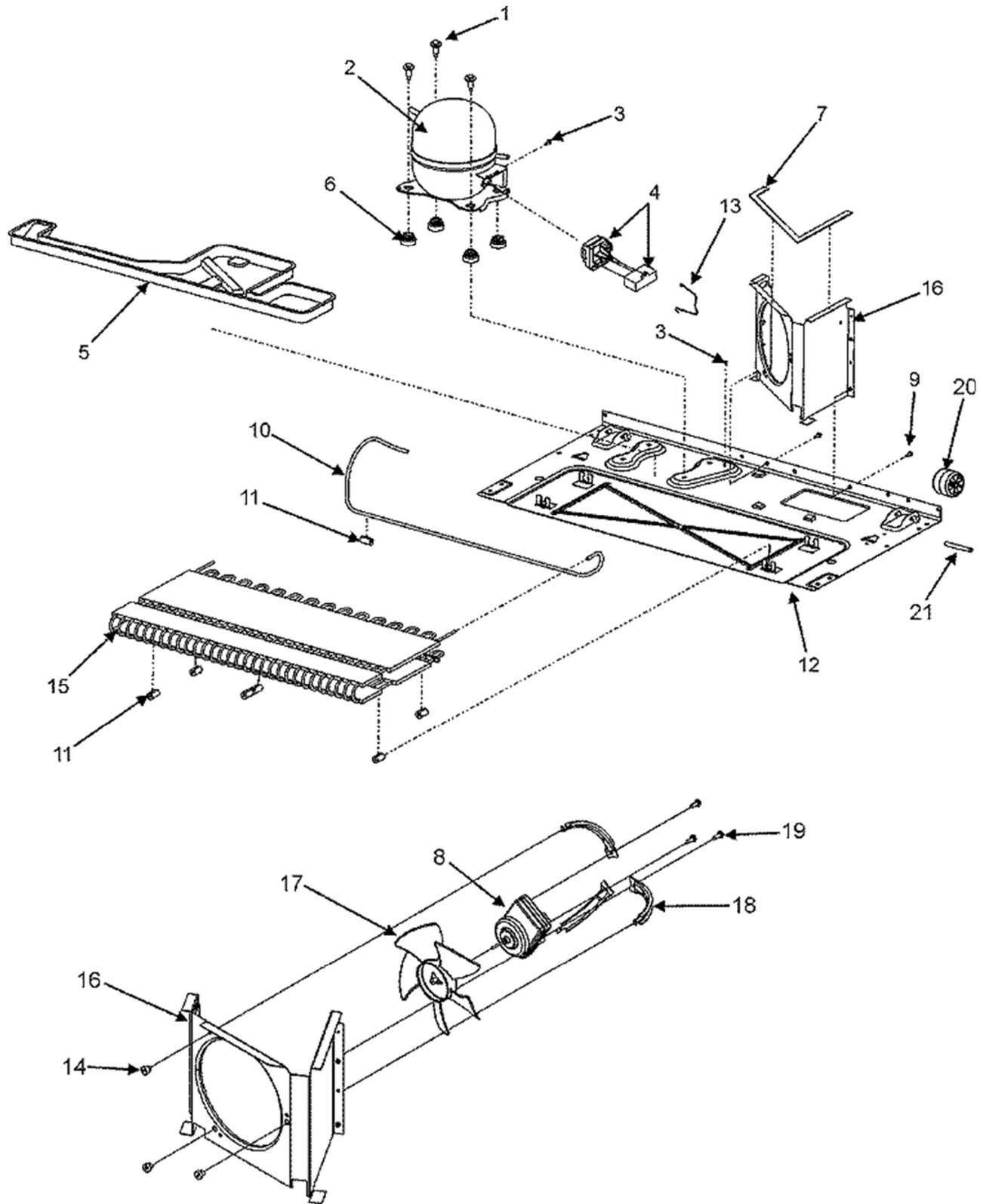
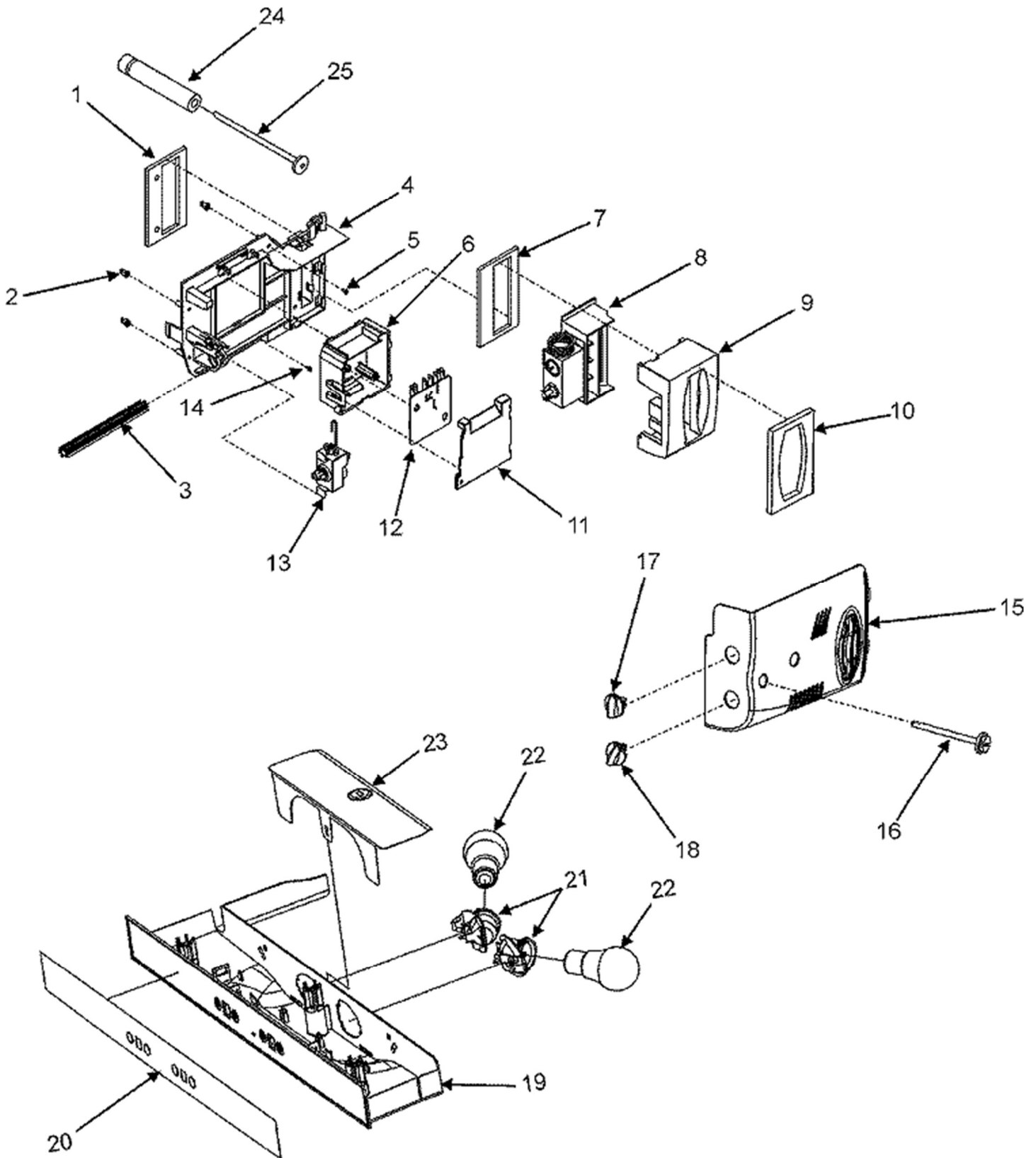


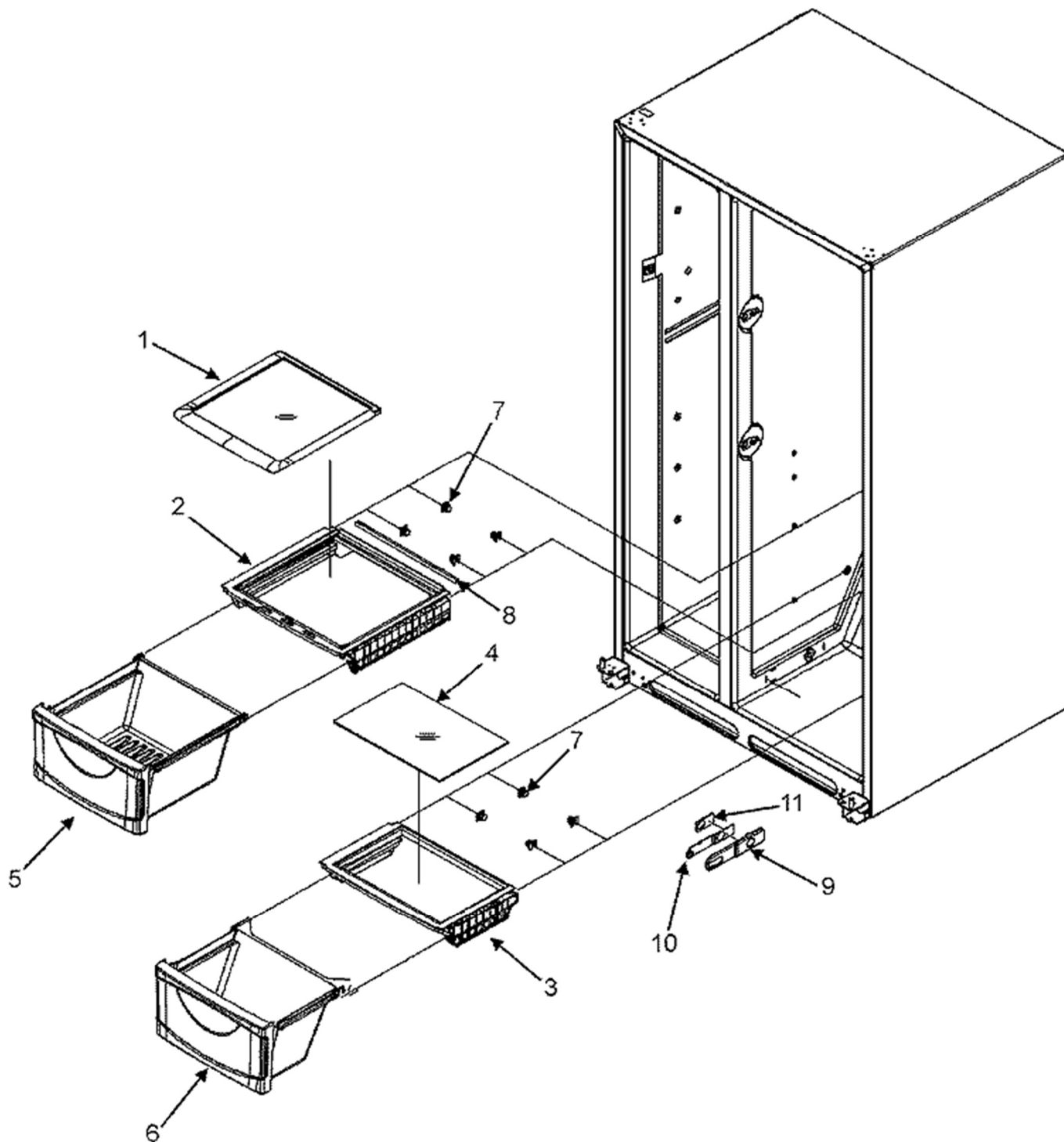
No. Guía	Descripción	Código
1	ELBOW- FIL	WP67003576
2	Speed Clamp Clip	WPM0114003
3	Plastic Tubing	WPB5705307
4	Plastic Tube Insert	WPA3223101
5	Clip	WPM0104106
6	Power Cord - Black	WP67006506
7	USE WPL 67006433	12992301
8	GASKET- MC	B5759649
9	Insulation	67003796
10	Machine Compartment Cover - Black	67006101
11	Screw	67006425
12	SCREW	67006841
13	USE WPL 12751511	67004098
14	Dual Water Inlet Valve	WP67006531
15	Water Tubing Clamp	W10833902
16	Drier	WPB2150504
17	SCREW	W10709801
17	CLIP- DRIE	10547002
18	SCREW-SM. (2)	M0220621
18	Tube Clamp	WP488366
19	TUBE- DRAI	12580401
20	BLOCK- FIL	WP12777701
21	CLAMP-TUBE	12831101
22	TRACK- WAT	67004102



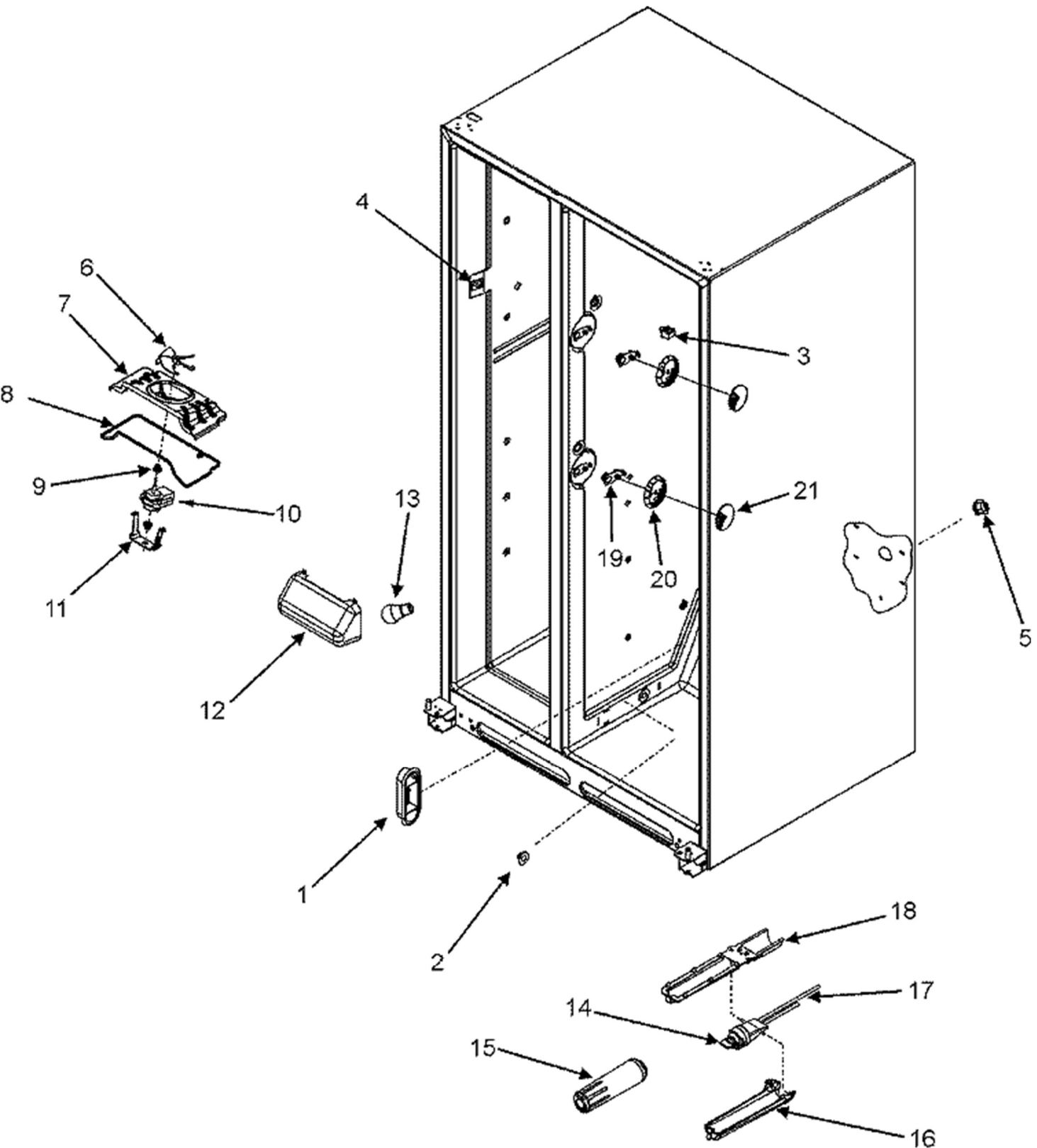
No. Guía	Descripción	Código
1	SCREW	12846902
2	Compressor Kit	W10309990
3	USE WPL 67006433	12992301
4	Compressor Start Device and Capacitor	W10613606
5	PAN- DRAIN	67004848
6	Compressor Grommet	67003493
7	SEAL-STRIP	WP854334
8	MOTOR-COND FAN,115VAC 1090RPM	W11613295
9	Screw	67006425
10	TUBE- DISC	WP12866903
11	GROMMET- C	67005680
12	PAN- BASE	12457108
13	CLIP	12576801
14	Bracket Grommet	WP61004743
15	Condenser	WP67006131
15	BLOCK-EPS	67002235
16	SHROUD- CO	67001090
17	Fan Blade	W10156818
18	Bracket	WP67004953
19	Screw	WP67004954
20	Roller	WP67005149
21	AXLE- ROLL	67006434
22	HARNS-WIRE	67004955



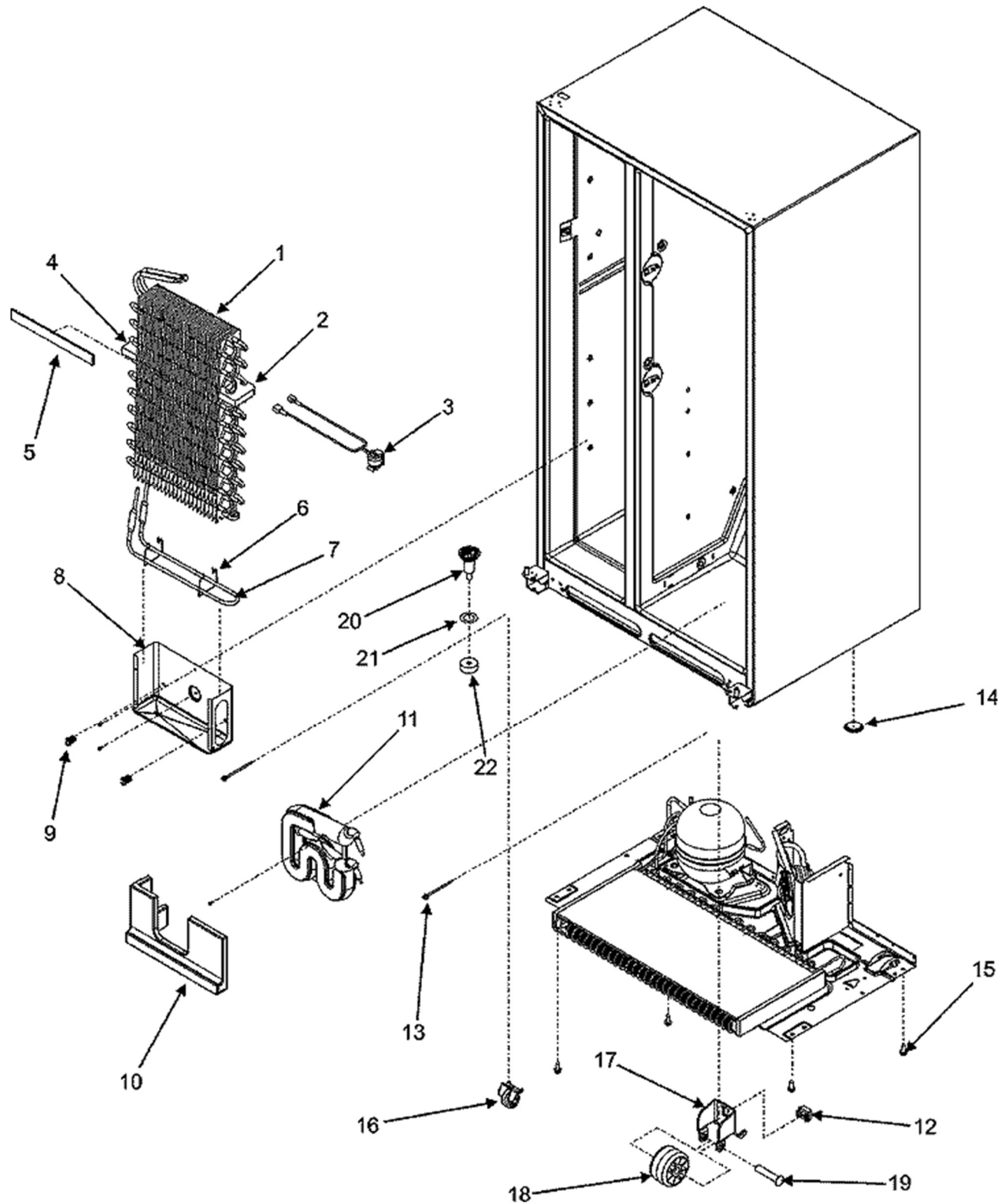
No. Guía	Descripción	Código
1	GASKET- DA	67004031
2	GROMMET- S	M0580205
3	EXTENSION	12571801
4	CONTRL-BOX	12750301
5	SCREW	M0216539
6	BOX- DEFRO	12624801
7	GASKET	12582801
8	CONTROL- D	67003519
9	INSULATION	12604201
10	GASKET- CO	WP12582901
11	COVER- DEF	12624901
12	Defrost Control Board	W11227239
13	Control, Electric	WP67005335
14	Screw	WP98165
15	COVER- CON	12571216
16	USE WPL 67006841	M0231426
17	KNOB- CONT	12581101
18	KNOB- CONT	12581102
19	HOUSING, FZ CONTROL	12889101
20	OVERLAY	67004241
21	SOCKET	W11447232
22	Light Bulb - 40W	8009
23	REFLECTOR	67005038
24	INSULATION	12847901
25	TUBE- FZ C	67005936
26	HARNS-WIRE	67004154
27	HARNS-WIRE	67006714



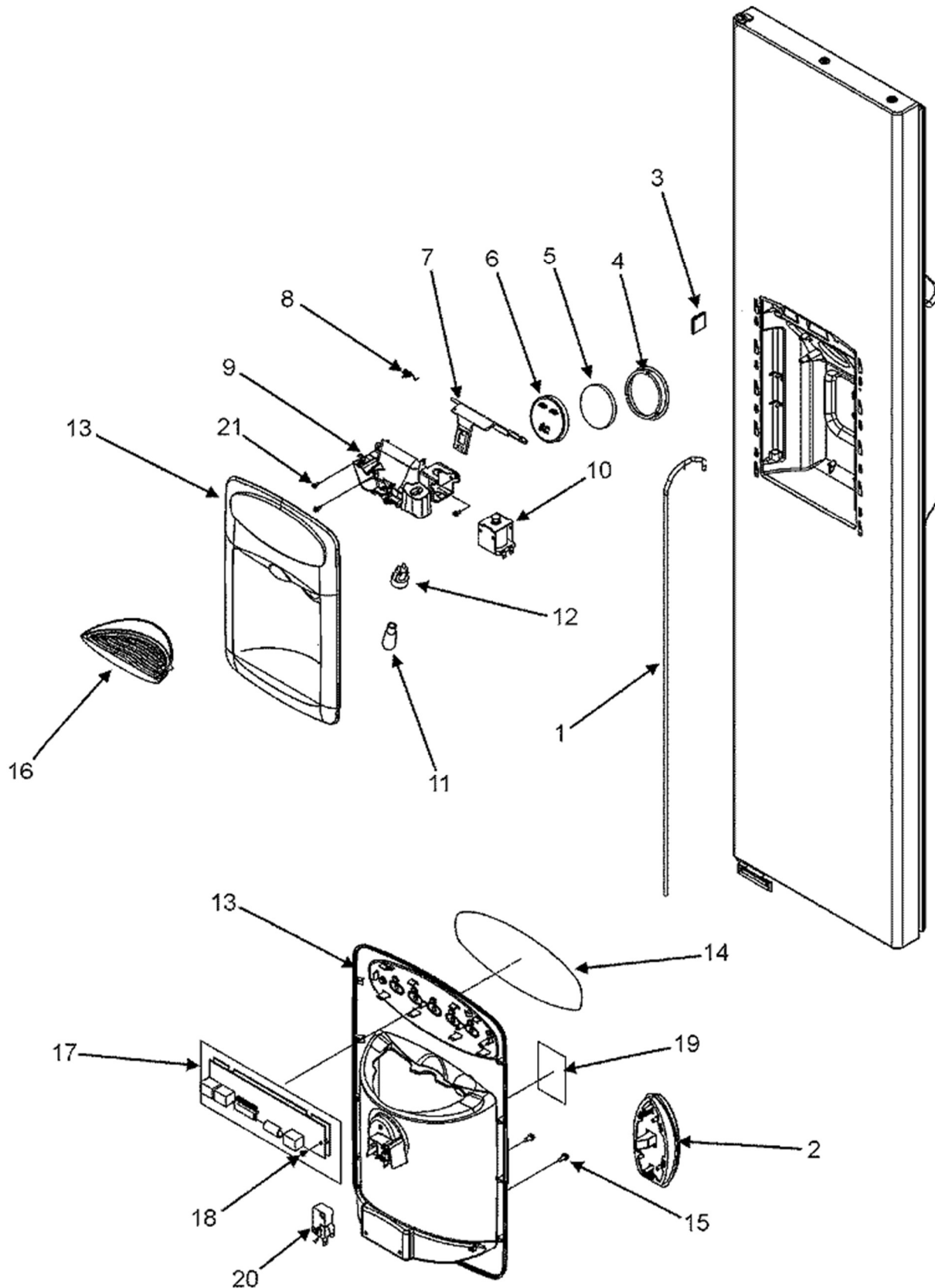
No. Guía	Descripción	Código
1	Glass Shelf	67006053
2	Crisper Frame - NO Glass	WP67004531
3	FRAME- MEA	67004247
4	GLASS- MEA	67004132
5	Large Crisper Pan	WP67005803
6	Meat Pan	67004351
7	Crisper Frame Support	WP12603701
8	TRIM-COVER	67004173
9	HOUSING- T	67004175
10	SLIDE	67004176
11	GASKET	67004177



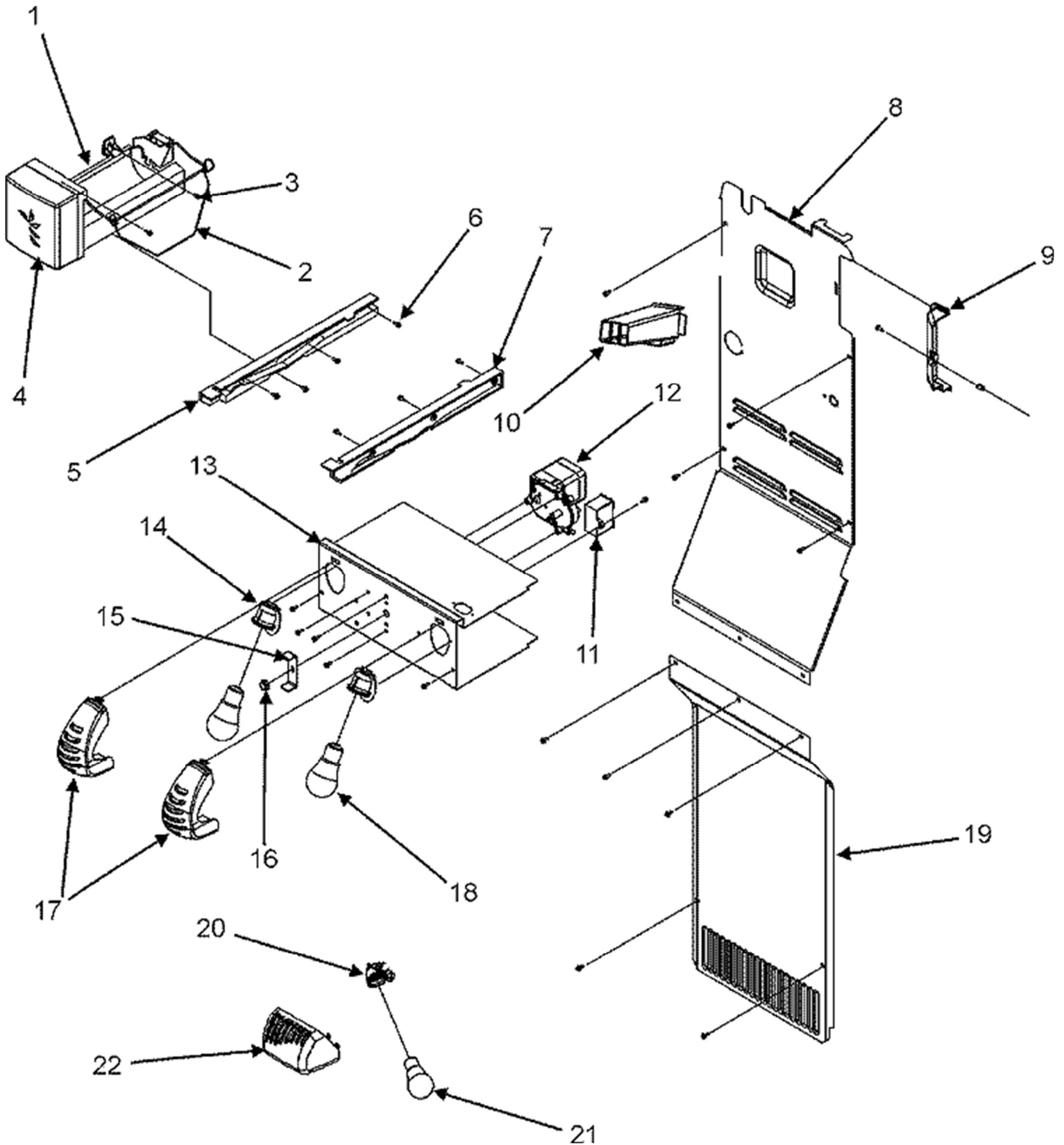
No. Guía	Descripción	Código
1	GRILLE	12634802
2	PLUG- AIR	67005933
3	SWITCH	W11291138
4	Door Switch	W11396033
5	SOCKET	W11447232
6	Evaporator Fan Blade	WP2169142
7	SHROUD- EV	67004253
8	GASKET	67001508
9	Fan Grommet	WP67002780
10	Freezer Evaporator Fan Motor - 115V 60Hz	WPW10128551
11	Bracket	WP67005633
12	SHIELD- CR	67001507
13	Light Bulb - 40W	8009
14	Refrigerator Water Filter Bypass	W11395888
15	Refrigerator Water Filter	EDR4RXD1
16	Water Filter Cover	WP12568001
17	Water Filter Head with Tubing	WP67006524
18	Water Filter Backing Plate - White	12688503
19	CLIP- CHIL	67002827
20	CONTROL- C	67002225
21	GRILLE- CH	67006837



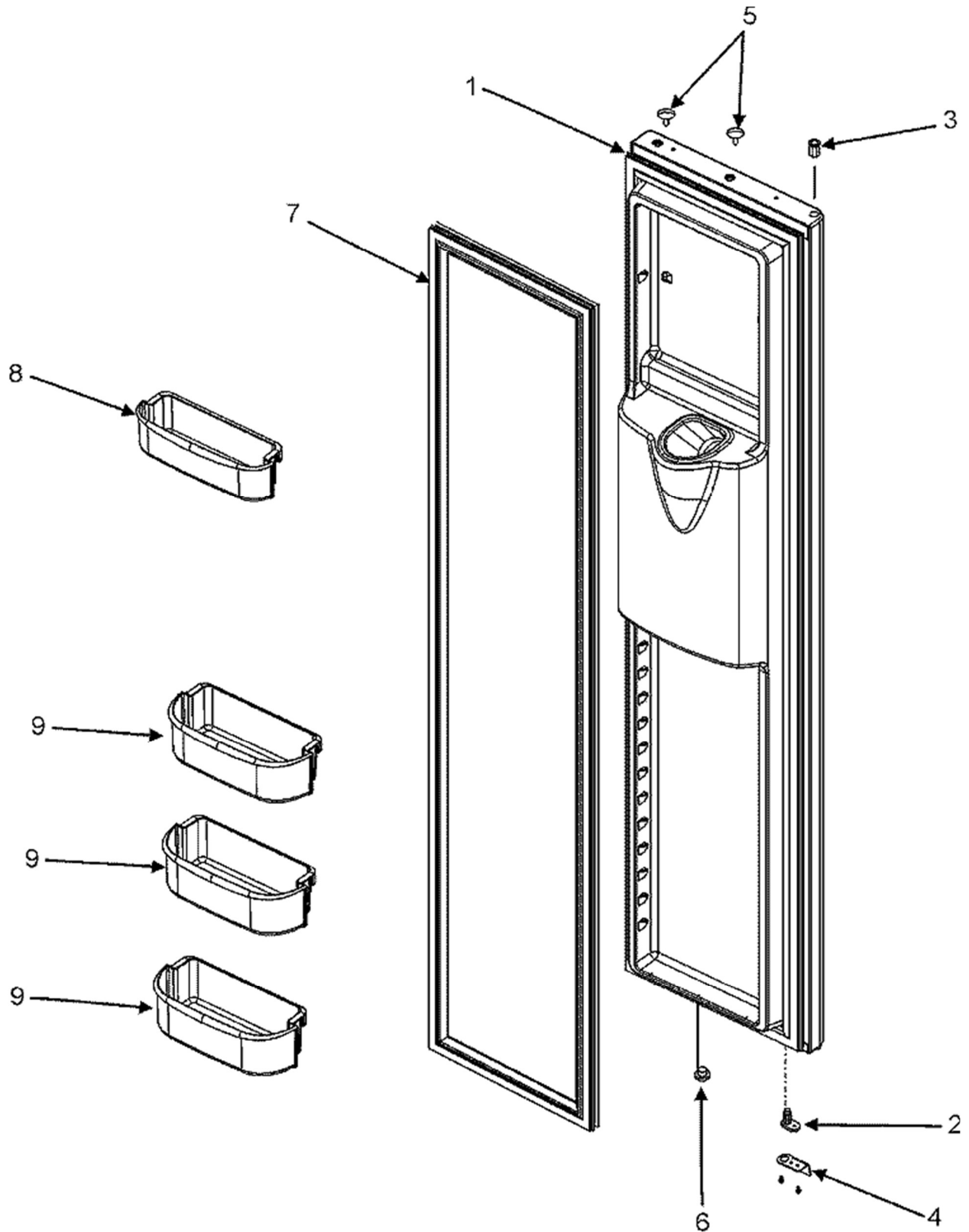
No. Guía	Descripción	Código
1	EVAPORATOR	12001940
2	BLOCK- AIR	12590102
3	Defrost Thermostat	WP67004757
4	BLOCK- AIR	12590101
5	GASKET- FO	67002226
6	CLIP	W11673433
7	Defrost Heater	WP67004188
8	TRAY- EVAP	12558101WD
9	CLIP- EVAP	10623003
10	Water Tank Block	67004309
11	Water Tank Reservoir Kit	R0131625
12	Speed Nut	M0286708
13	Adjustment Screw	71003131
14	PLUG	A3076901
15	Screw	W10709798
16	Single Wheel Assembly	12580304
17	BRACKET- R	12456801V
18	Single Roller	WP10450603
19	Roller Pin	M1205302
20	FUNNEL- Door	12456901
21	SEAL- O RI	WPM0500703
22	Drain Tube Gasket	WPB8381501
23	HARNS-WIRE	67006622



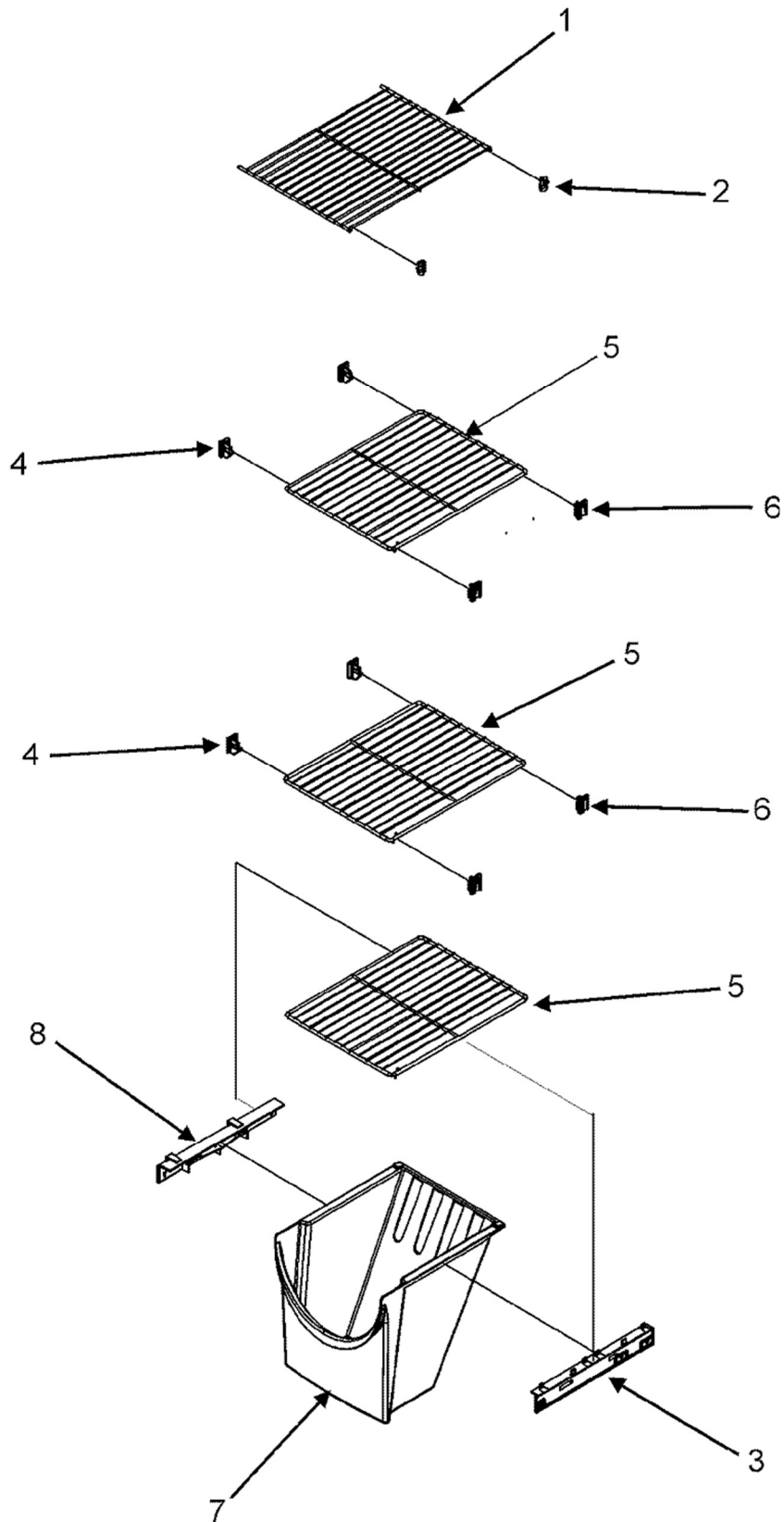
No. Guía	Descripción	Código
1	Water Line Assembly	67004938
2	ACTR PAD F	12598902S
3	Cord Clip	M0104102
4	Ice Chute Seal	WP12665101
5	Ice Chute Door Insulation	WP67007098
6	Ice Chute Door	WP12562701
7	Door Hinge	WP67004119
8	SPRING- CH	WP12565502
9	Chute	WP67006534
10	Ice Door Solenoid	67006000
11	Light Bulb - 7W	W10857122
12	SOCKET- LI	12617501
13	Dispenser Front Housing - Black	WP12703809BB
14	Facade Insert - Black	WP67004151
15	PLUG-HNDLE	W10709784
16	Sump Tray	WP67004123
17	Control, Electric	WP12945106
18	SCREW	2006254
19	LABEL	67006684
20	Limit Switch	WP12575501
21	Screw	67006425



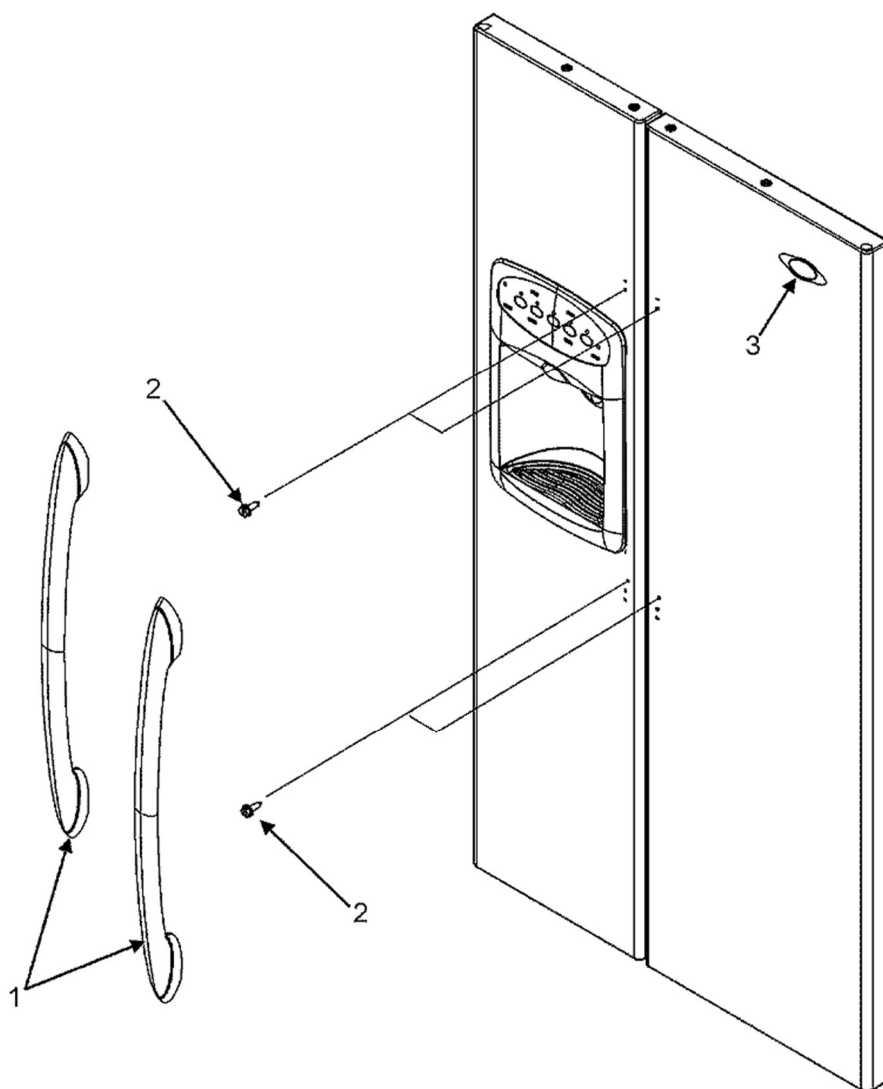
No. Guía	Descripción	Código
1	Replacement Ice Maker	D7824706Q
2	Shut Off Arm	WPW10152975
3	Screw	67006425
4	Ice Maker Front Cover	WPW10289690
5	GLIDE- FRZ	67005375
6	SCREW	67006529
7	GLIDE- FRZ	67004323
8	BACK INNER	67003577
9	COVER- SUP	12583101
10	DUCT- QUIC	67003578
11	Run Capacitor	WP65889-4
12	Auger Motor	WP67003226
13	Auger Motor Front Cover - Stainless	W10134648
14	SOCKET	W11447232
15	MOTOR-AUGER	10114901
16	Locking Nut	WPM0223101
17	SHIELD- FZ	67004433
18	Light Bulb - 40W	8009
19	COVER-EVAP	12403404
20	SOCKET	W11447232
21	Light Bulb - 40W	8009
22	SHIELD- FZ	67004135



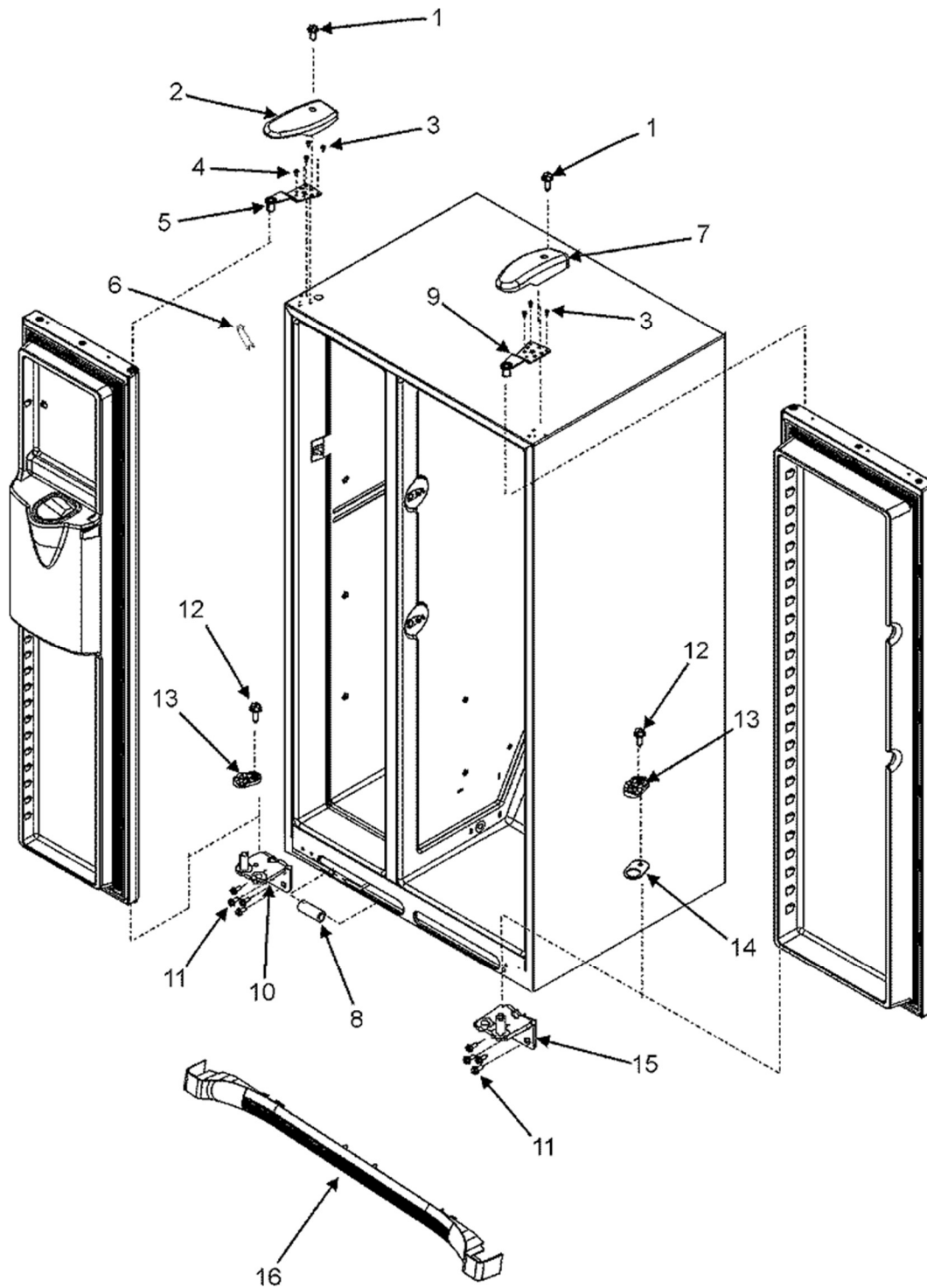
No. Guía	Descripción	Código
1	DOR-FIP White	67006448
2	CLOSURE- D	67006677
3	BUSHING- D	12395501B
4	STOP- DOOR	12981303W
5	PLUG-HOLE	M0311605
6	PLUG-HOLE	A3080001
7	Freezer Door Gasket - White	WP67003968
8	BIN-CNTLVR	67004772
9	Lower Freezer Door Bucket	12557501



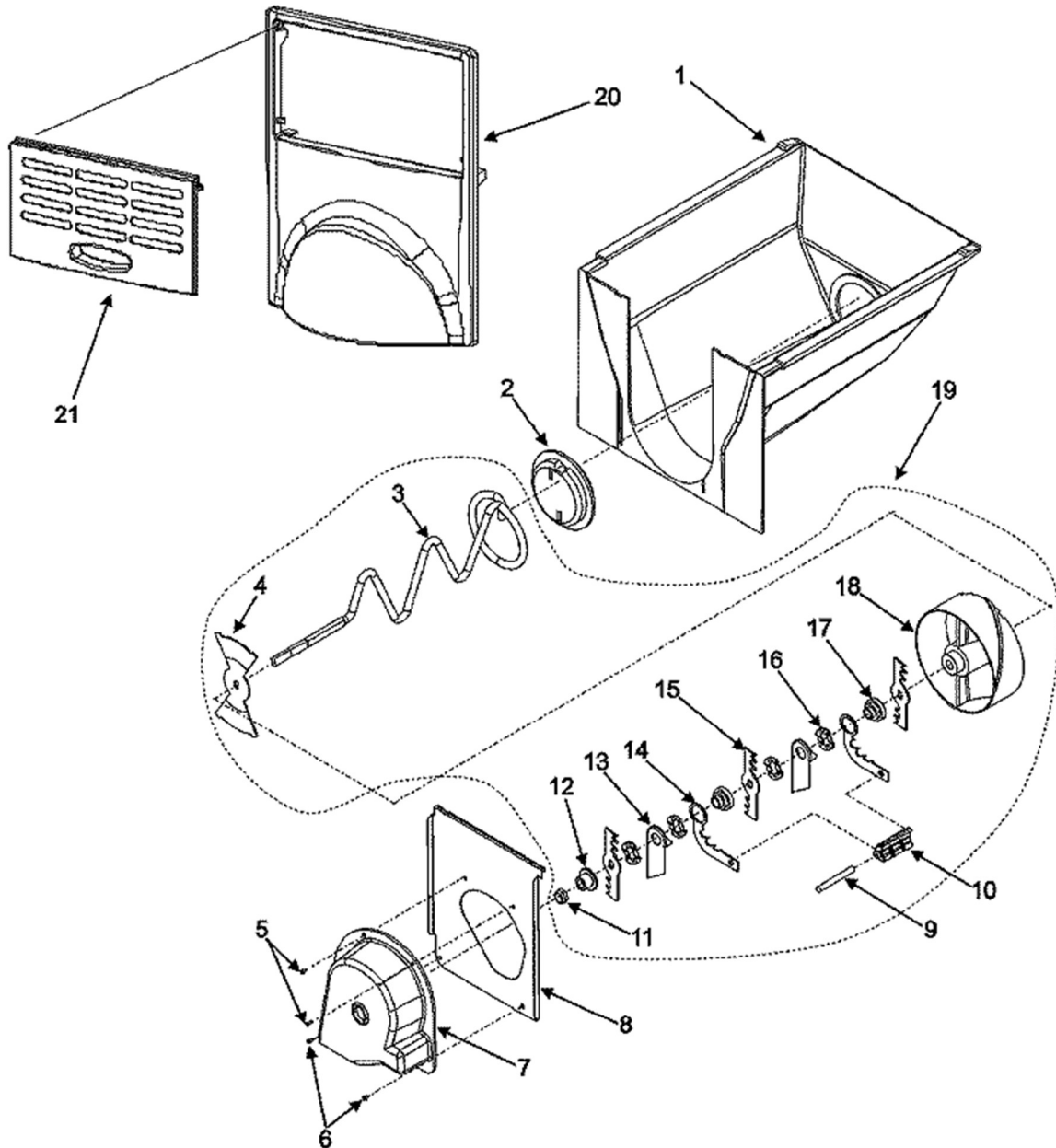
No. Guía	Descripción	Código
1	SHELF- UPR	67004354
2	Freezer Shelf Support	WPC8973801
3	RAIL- BIN	67004356
4	Shelf Support - Left Side	12015002
5	Wire Shelf - White	W10140613
6	Shelf Support - Right Side	WP10941102
7	BIN-FZ	12596501
8	RAIL- BIN	67004355



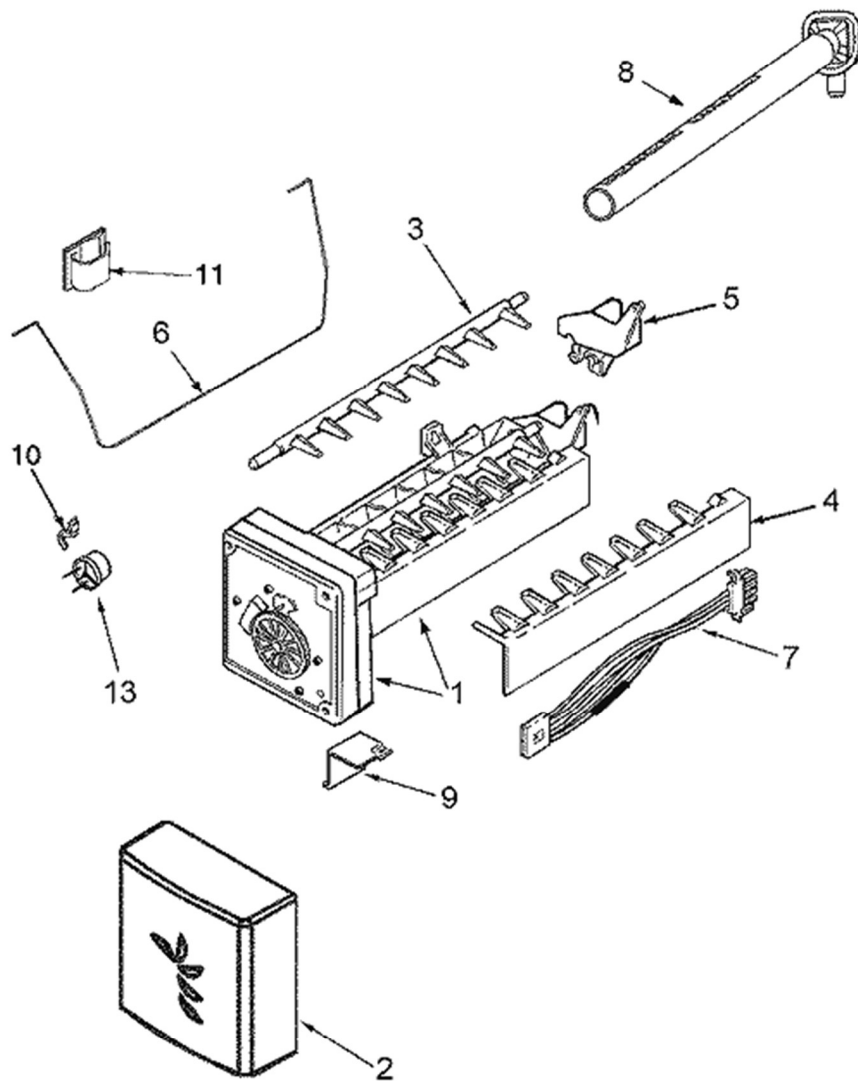
No. Guía	Descripción	Código
1	Refrigerator Door Handle	WPW10119651
2	Screw	WP12992902
3	NAMEPLATE	2324038



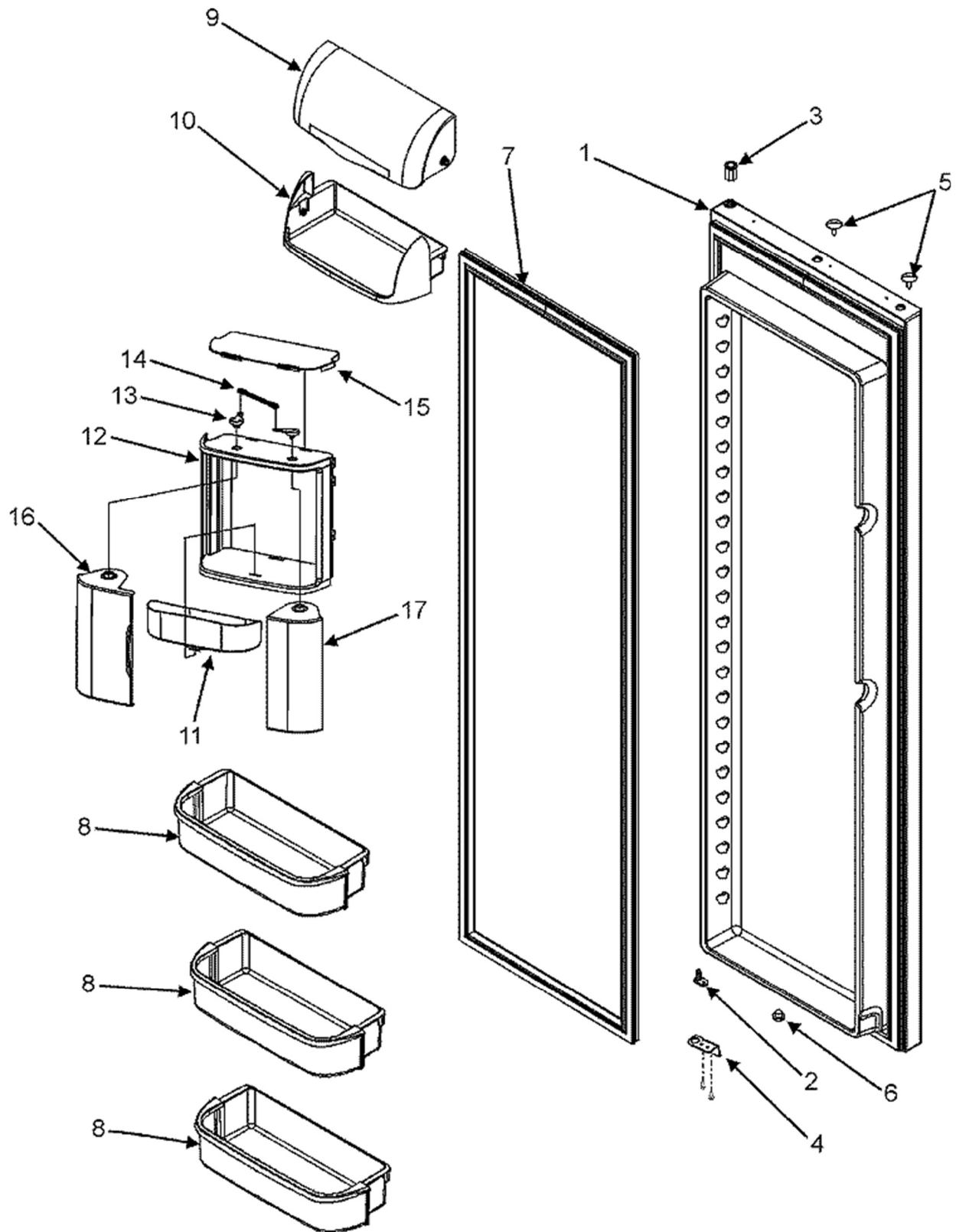
No. Guía	Descripción	Código
1	Screw	WP8281196
2	COVER- TOP	67004029
3	Screw	WP489349
4	SCREW	W11214483
5	HINGE-DOOR	67006489
6	Corner Cover - White	67003484
7	COVER- TOP	67004030
8	Water Tube Connector/Union - 5/16 to 5/16	WP2300868
9	HINGE-DOOR	W10850512
10	USE WPL 12983803EDR	67006685
11	Screw	67006491
12	Screw	WP489483
13	CLOSURE- D	67006493
14	Closure Shim	WP67005716
15	HINGE-DOOR	12983804EDR
16	Kickplate Grille - Black	WP67006687
16	Toe Grille Clip	12627302



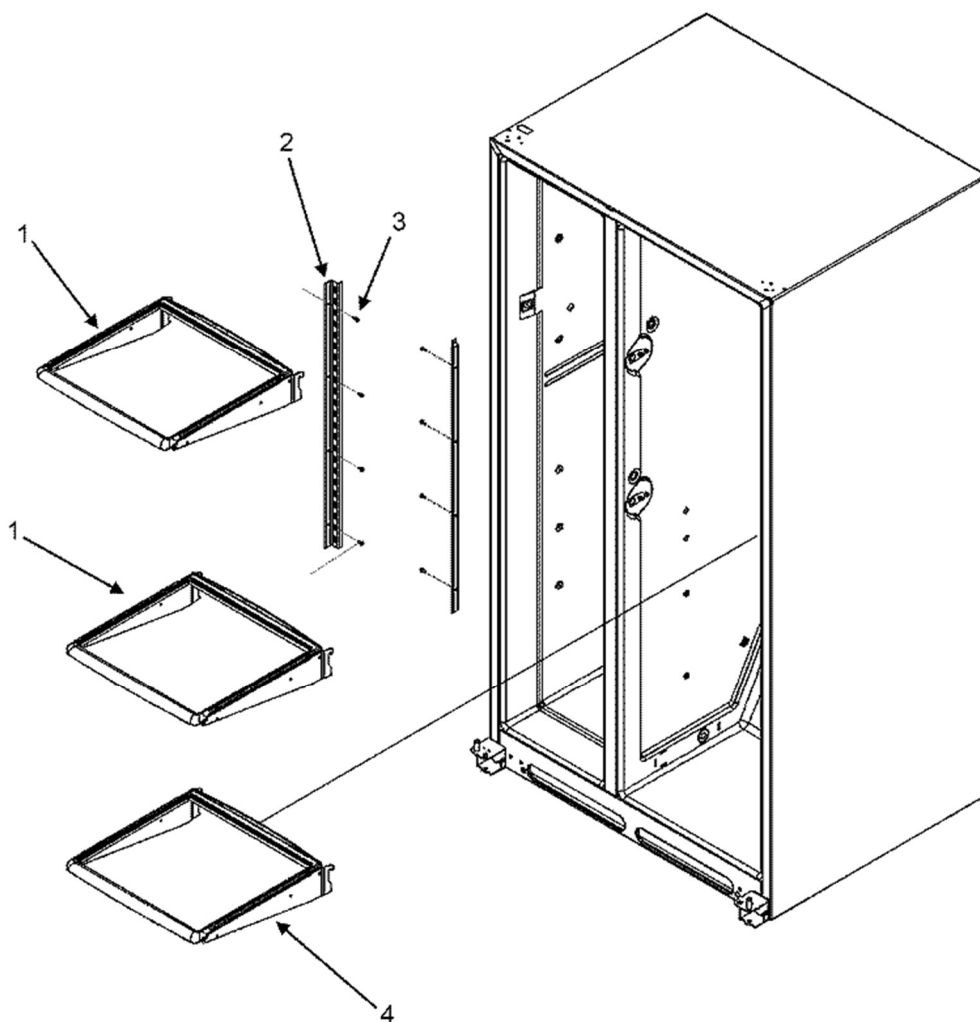
No. Guía	Descripción	Código
1	Ice Bucket	WP67005959
2	Ice Maker Helix End Cap - white	WPD7749401
3	Ice Auger	10114401
4	Crushed Ice Bar	10113801
5	Screw	67006508
6	Screw	67006425
7	Blade Cover	WP67002271
8	Ice Crusher Front	10115001
9	PIN- ROLL	M1200108
10	Blade Anchor	10114101
11	Locking Nut	WPM0223101
12	SPACER- CO	10113901
13	Ice Damper	10275201
14	Static Blade	10114601
15	Rotating Blade	10114501
16	Waved Washer	10275101
17	Stepped Washer	10114301
18	Crushed Ice Wheel	WP67002052
19	Ice Maker Auger and Crusher Blade Assembly	WP12740302
20	COVER-PAN	67004255
21	DOOR-CHUTE	67004256



No. Guía	Descripción	Código
1	Replacement Ice Maker	D7824706Q
2	Ice Maker Front Cover	WPW10289690
3	Ejector Arm	WP627843
4	Ice Stripper	WP2182124
5	Water Fill Cup and Bearing	WP628356
6	Shut Off Arm	WPW10152975
7	Wiring Harness	WPW10146386
8	ELBOW- FIL	WP67003576
9	Bracket	WP2256087
10	Retainer, Thermostat	WP2315522
11	Clip	WPM0104106
12	Cycling thermostat	WP627985
13	COUPLING	W11033771
14	Water Line Installation Kit	8003RP



No. Guía	Descripción	Código
1	DOR-FIP White	67006452
2	CLOSURE- D	67006134
3	Door Bushing	10961005B
4	STOP- DOOR	W10131928
5	PLUG-HOLE	M0311605
6	PLUG-HOLE	A3080001
7	GASKET- RE	W10133828
8	Refrigerator Gallon Door Bin - White	67004110
9	Dairy Door - White/Clear	67002957
10	DISCONTINUED	67002304
11	TRAY, CHILLER (Series 10)	67002296
12	FRAME- LAR	67002294
13	LINKAGE- C	67002293
14	LINKAGE- C	67002292
15	COVER- CHI	67002291
16	DOOR- LARG	67006834
17	DOOR- LARG	67002297



No. Guía	Descripción	Código
1	Stationary Shelf with Glass	67005092
2	RAIL, L/R LG SXS	67003840
3	Screw	67006425
4	USE WPL 67005091	67004242

