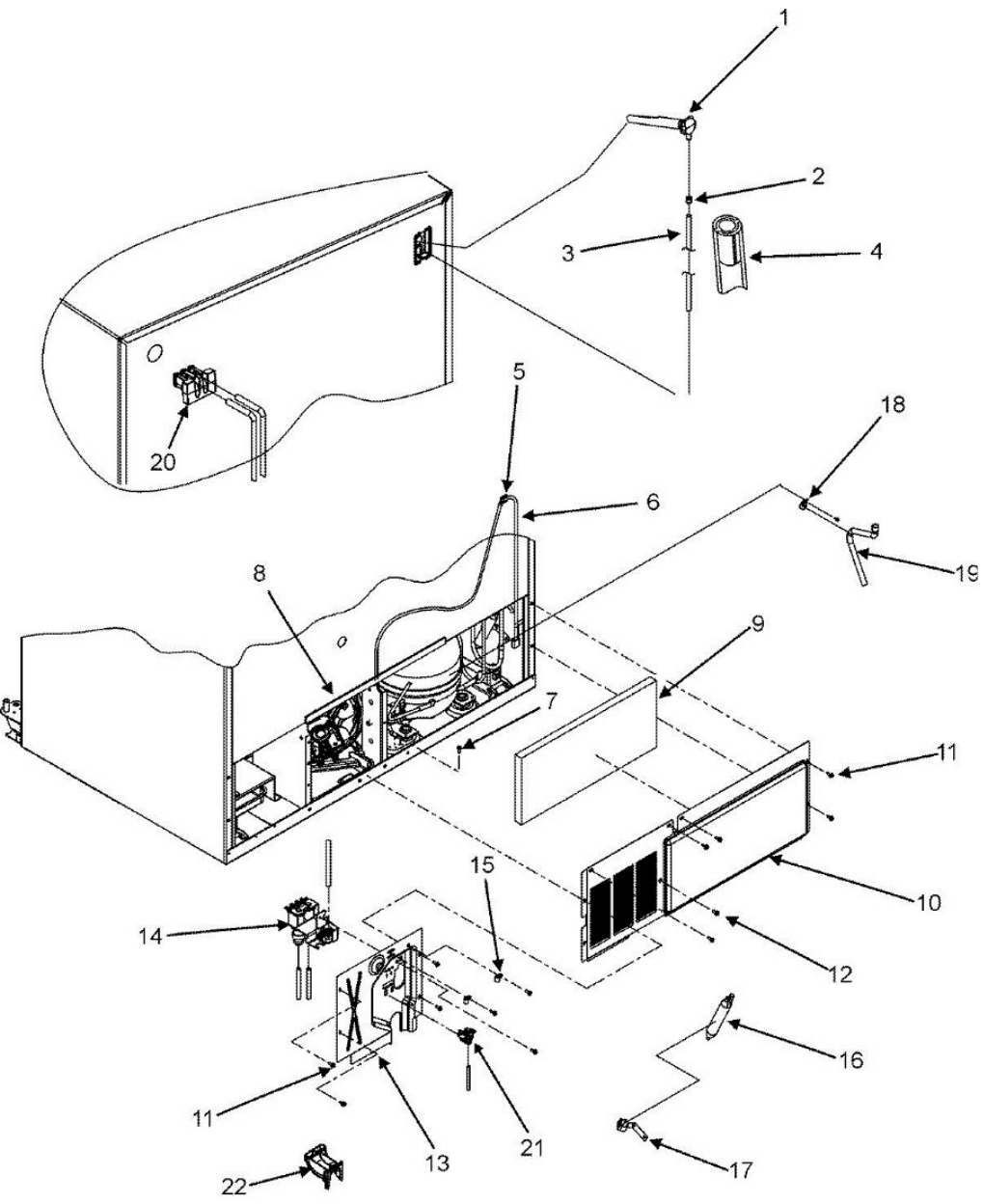


Refrigerador Maytag MSD2655HEQ

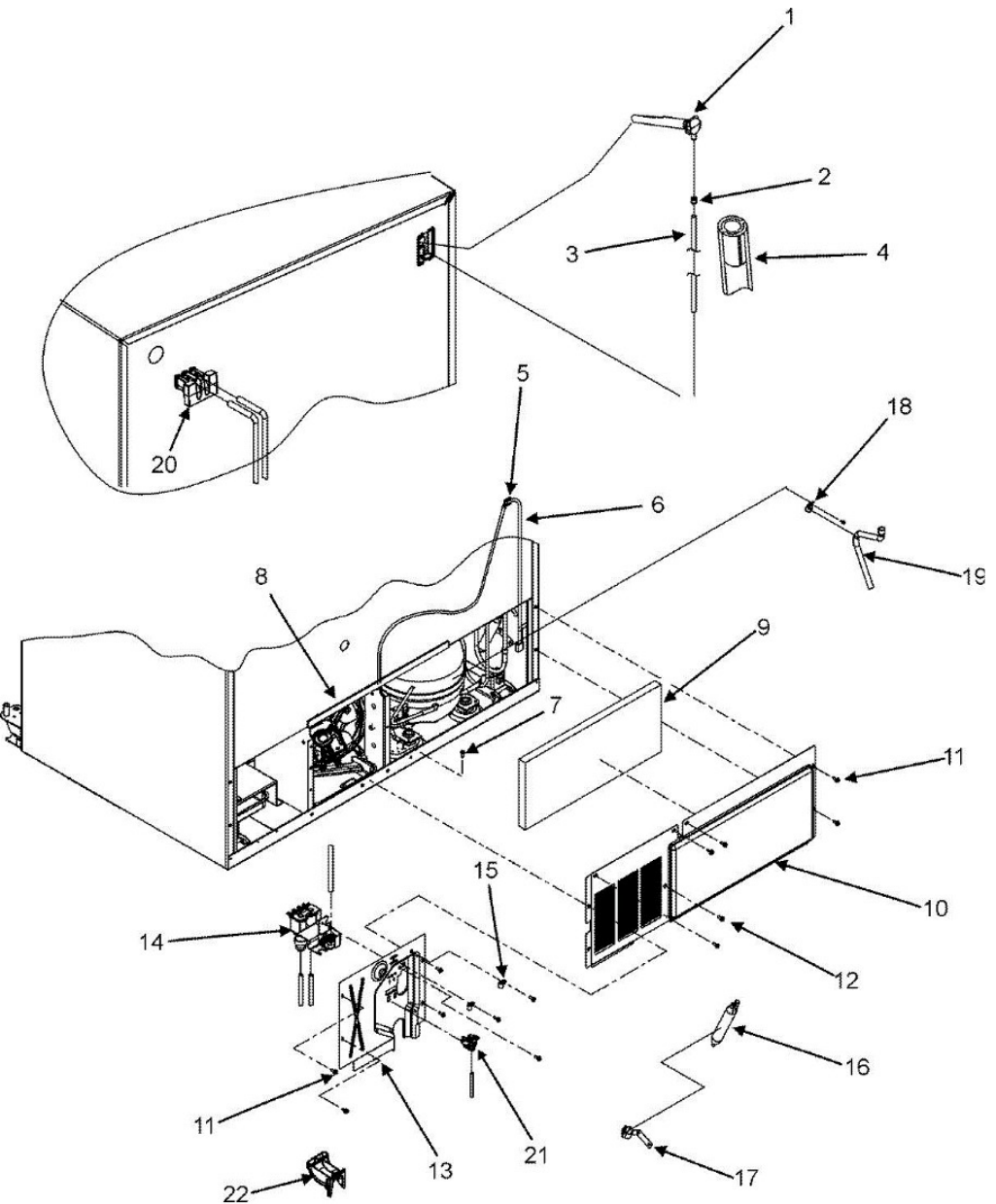




## Refrigerador Maytag MSD2655HEQ

Guía	N.P.	Serie	Descripción
1	67003576	Series 10	ELBOW, FILL TUBE
2	WPM0114003	Series 10	CLIP, SPEED
3	WPB5705307	Series 10	TUBE, PLASTIC
4	WPA3223101	Series 10	INSERT, PLASTIC TUBE
5	WPM0104106	Series 10	CLIP
6	WP67006506	Series 10	CORD, POWER
7	WP489399	Series 10	SCREW, CA
8	B5759649	Series 10	GASKET, MC BACK
9	67003796	Series 10	FIBER, ACOUSTIC
10	12575101ED	Series 10	BACK, MACH COMP
11	67006425	Series 10	SCREW, SM
13	67004098	Series 10	COVER, WATER VALVE
14	WP67005154	Series 10	VALVE, DUAL WATER
14	681390	Series 10	SCREW
15	W10833902	Series 10	CLAMP, TUBE
16	B2150504	Series 10	DRIER
17	10547002	Series 10	CLIP, DRIER
17	W10709801	Series 10	SCREW, SM
18	M0102303	Series 10	CLAMP
18	WP489069	Series 10	SCREW
19	12580401	Series 10	TUBE, DRAIN
20	67004092	Series 10	BLOCK, FILTER
21	67004701	Series 10	CLIP, WATERLINE
22	67004102	Series 10	TRACK, WATERLINE

Refrigerador Maytag MSD2655HEQ





## Refrigerador Maytag MSD2655HEQ

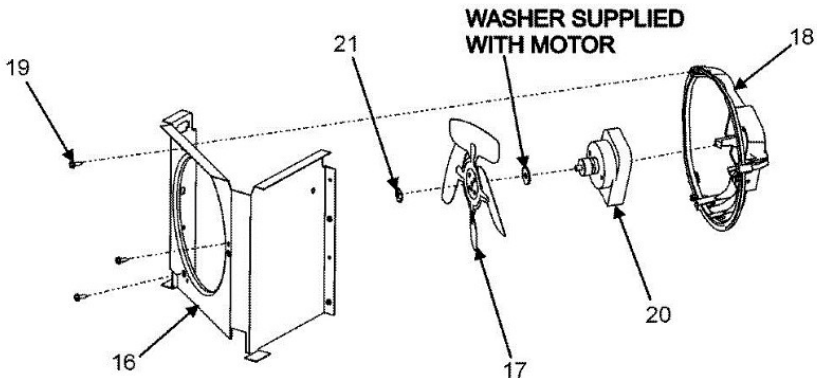
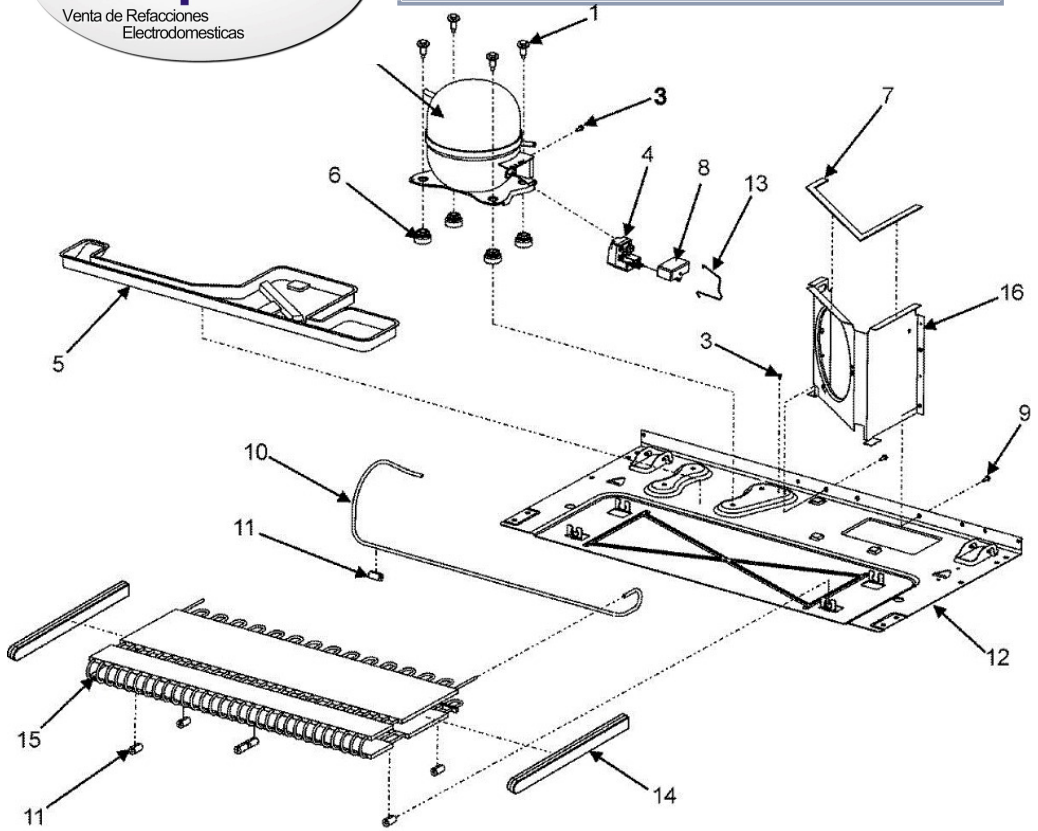
Guía	N.P.	Serie	Descripción
1	67003576	Series 50	ELBOW, FILL TUBE
2	M0114003	Series 50	CLIP, SPEED
3	67003360	Series 50	TUBE, PLASTIC
4	A3223101	Series 50	INSERT, PLASTIC TUBE
5	M0104106	Series 50	CLIP
6	12583301	Series 50	CORD, POWER
7	M0239216	Series 50	SCREW, CA
8	B5759649	Series 50	GASKET, MC BACK
9	67003796	Series 50	FIBER, ACOUSTIC
10	12575101ED	Series 50	BACK, MACH COMP
11	M0238616	Series 50	SCREW, SM
13	67004098	Series 50	COVER, WATER VALVE
14	67005154	Series 50	VALVE, DUAL WATER
14	681390	Series 50	SCREW
15	W10833902	Series 50	CLAMP, TUBE
16	B2150504	Series 50	DRIER
17	10547002	Series 50	CLIP, DRIER
17	67002999	Series 50	SCREW, SM
18	M0102303	Series 50	CLAMP
18	M0220617	Series 50	SCREW
19	12580401	Series 50	TUBE, DRAIN
20	67004092	Series 50	BLOCK, FILTER
21	67004100	Series 50	CLIP, WATERLINE
22	12831101	Series 50	SWEEP, DUAL TUBE
23	67004102	Series 50	TRACK, WATERLINE

Distribuidor Autorizado

SurteRápido.com

Venta de Refacciones  
Electrodomesticas

# Refrigerador Maytag MSD2655HEQ



**ECM MOTOR**



## Refrigerador Maytag MSD2655HEQ

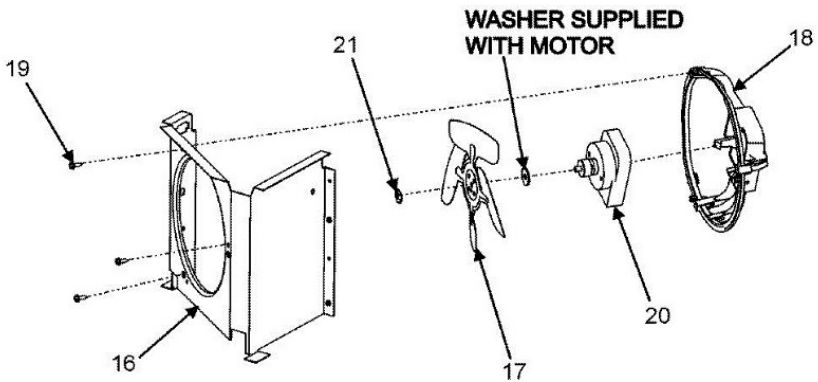
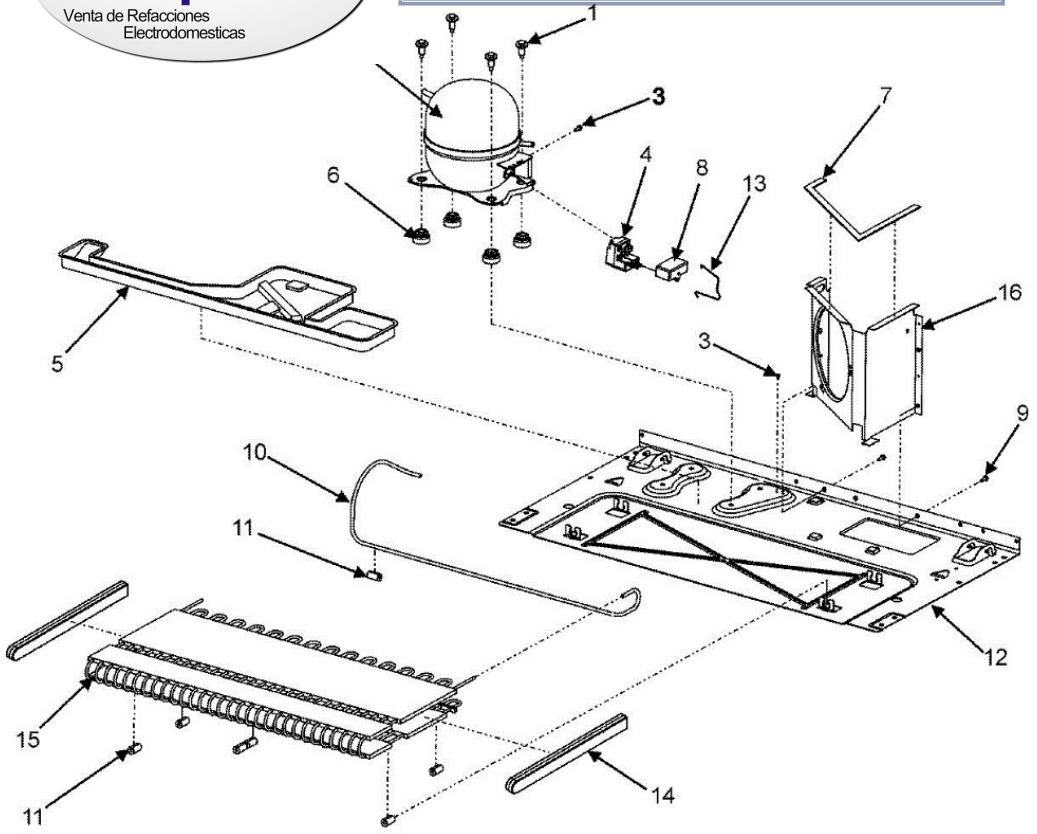
Guía	N.P.	Serie	Descripción
1	M0221523	Series 10	SCREW, SHLDR
2	W10160407	Series 10	COMPRESSOR, TPG1380YXA (SXS)
3	12992301	Series 10	SCREW, TF
4	W10613606	Series 10	OVERLOAD/RELAY W/CAPACITOR
5	12579803	Series 10	PAN, DRAIN
6	67003493	Series 10	GROMMET, COMPRESSOR
7	854334	Series 10	SEAL
8	WP65889-4	Series 10	CAPACITOR
9	67006425	Series 10	SCREW, SM
10	67002236	Series 10	TUBE, DISCHARGE
11	67005680	Series 10	GROMMET, CONDENSER
12	67001512	Series 10	PAN, BASE
13	12576801	Series 10	STRAP, BALE
14	67002235	Series 10	BLOCK-EPS COND
15	67006131	Series 10	CONDENSER
16	67001090	Series 10	SHROUD, CONDENSER FAN
17	12587601	Series 10	BLADE, COND FAN
18	67003644	Series 10	BRKT, ECM COND MOTOR
19	M0223816	Series 10	SCREW, TR
20	12002738	Series 10	MOTOR, CONDENSER FAN (ECM)
21	WP486692	Series 10	NUT, ECM MOTOR
22	67004097	Series 10	HARNESS, MC

Distribuidor Autorizado

SurteRápido.com

Venta de Refacciones  
Electrodomesticas

# Refrigerador Maytag MSD2655HEQ



**ECM MOTOR**

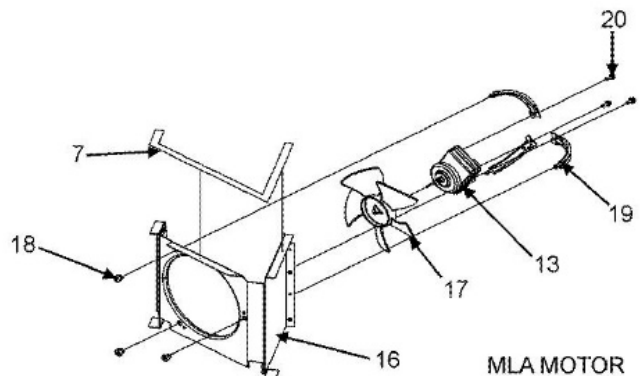
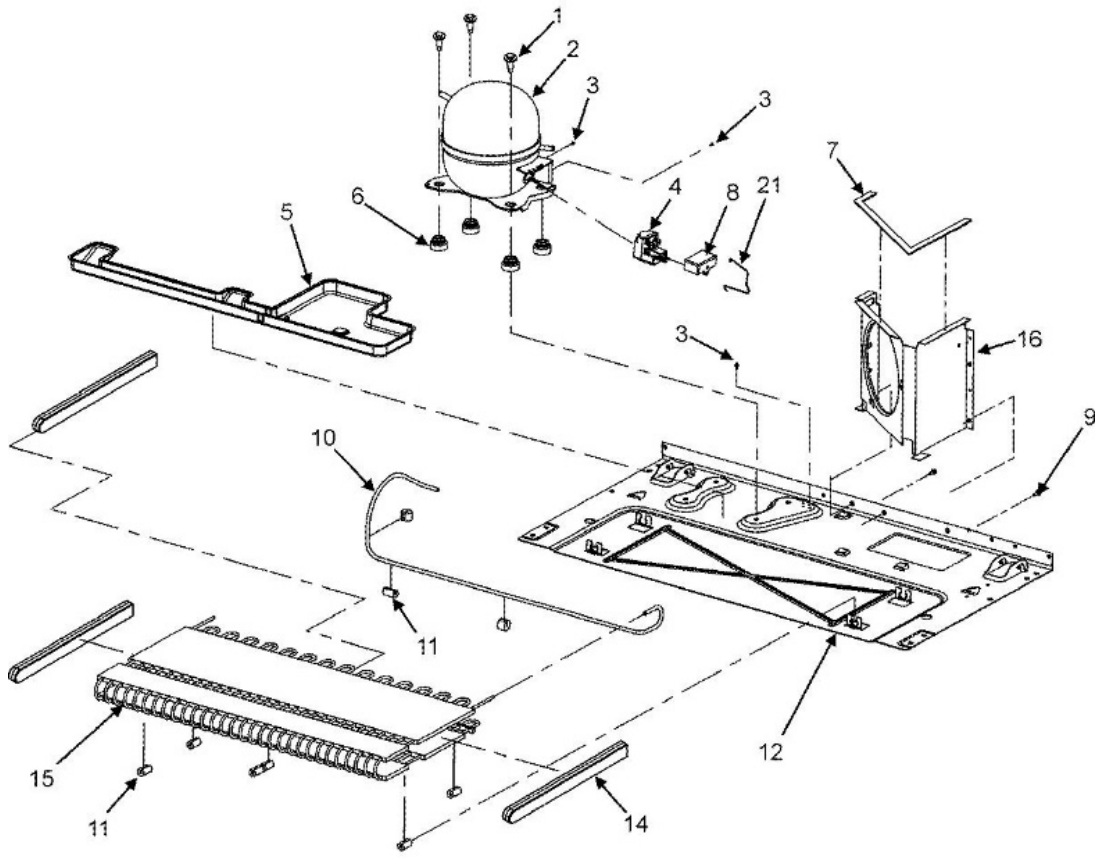


## Refrigerador Maytag MSD2655HEQ

Guía	N.P.	Serie	Descripción
1	M0221523	Series 50	SCREW, SHLDR
2	W10160407	Series 50	COMPRESSOR, TPG1380YXA (SXS)
3	12992301	Series 50	SCREW, TF
4	W10613606	Series 50	OVERLOAD/RELAY W/CAPACITOR
5	67004848	Series 50	PAN, DRAIN
6	67003493	Series 50	GROMMET, COMPRESSOR
7	854334	Series 50	SEAL
8	WP65889-4	Series 50	CAPACITOR
9	67006425	Series 50	SCREW, SM
10	WP12866903	Series 50	TUBE, DISCHARGE
11	67005680	Series 50	GROMMET, CONDENSER
12	67001512	Series 50	PAN, BASE
13	12576801	Series 50	STRAP, BALE
14	67002235	Series 50	BLOCK-EPS COND
15	67006131	Series 50	CONDENSER x
16	67001090	Series 50	SHROUD, CONDENSER FAN
17	12587601	Series 50	BLADE, COND FAN
18	12002738	Series 50	BRKT, ECM COND MOTOR
19	M0223816	Series 50	SCREW, TR
20	12002738	Series 50	MOTOR, CONDENSER FAN (ECM)
21	WP486692	Series 50	NUT, ECM MOTOR
22	67004097	Series 50	HARNESS, MC



Refrigerador Maytag MSD2655HEQ



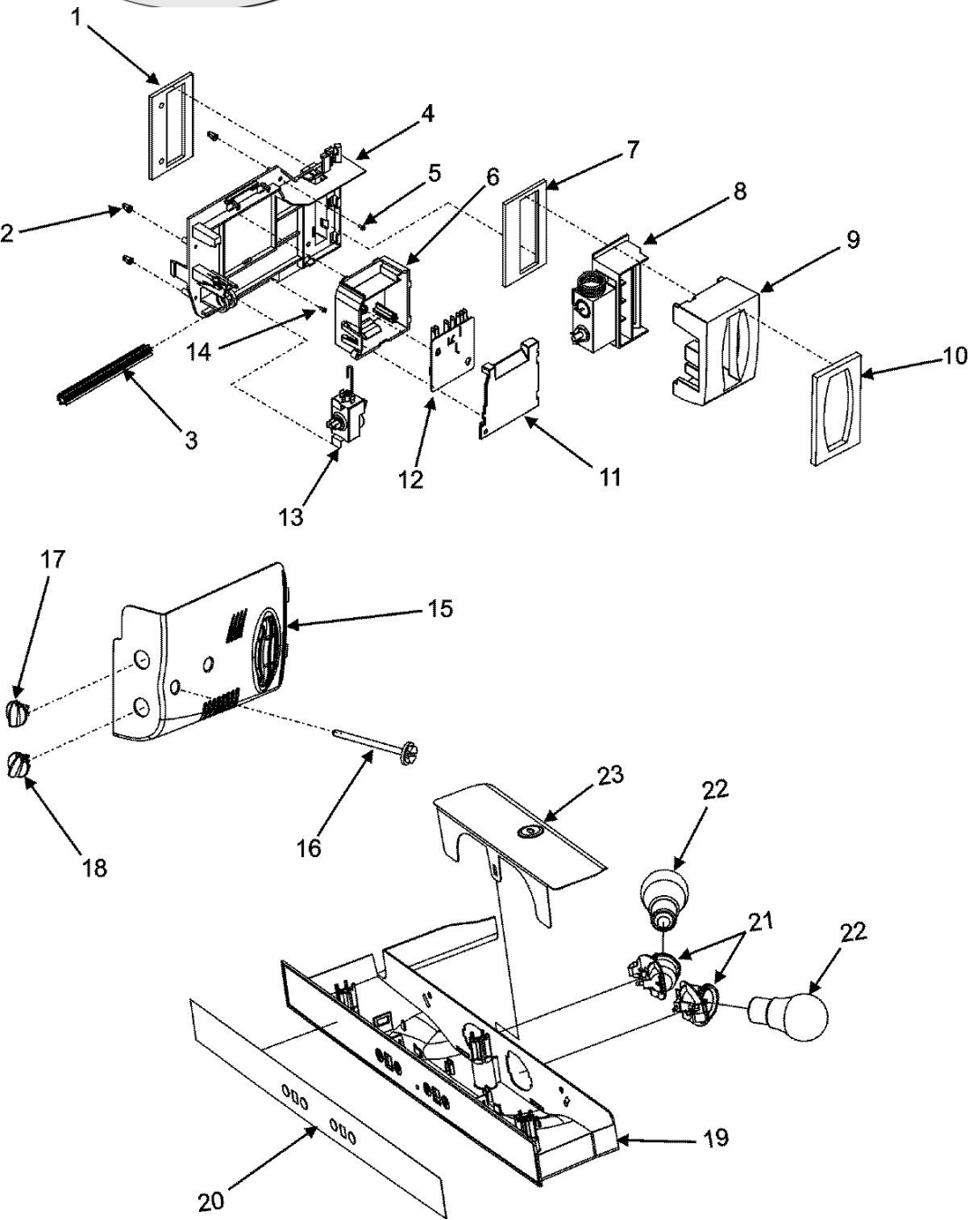
MLA MOTOR



## Refrigerador Maytag MSD2655HEQ

Guía	N.P.	Serie	Descripción
1	M0221523	Series 52	SCREW, SHLDR
2	W10160407	Series 52	COMPRESSOR, TPG1380YXA (SXS)
3	12992301	Series 52	SCREW, TF
4	W10613606	Series 52	OVERLOAD/RELAY W/CAPACITOR
5	67004848	Series 52	PAN, DRAIN
6	67003493	Series 52	GROMMET, COMPRESSOR
7	WP854334	Series 52	SEAL
8	WP65889-4	Series 52	CAPACITOR
9	67006425	Series 52	SCREW, SM
10	12866903	Series 52	TUBE, DISCHARGE
11	67005680	Series 52	GROMMET, CONDENSER
12	67001512	Series 52	PAN, BASE
13	W10239053	Series 52	MOTOR, CONDENSER FAN
14	67002235	Series 52	BLOCK-EPS COND
15	67006131	Series 52	CONDENSER x
16	67001090	Series 52	SHROUD, CONDENSER FAN
17	W10156818	Series 52	BLADE, COND FAN
18	61004743	Series 52	GROMMET, BRACKET
19	67004953	Series 52	BRACKET, COND MOTOR
20	67004954	Series 52	SCREW
21	12576801	Series 52	STRAP, BALE
22	67004955	Series 52	HARNESS, MC

Refrigerador Maytag MSD2655HEQ

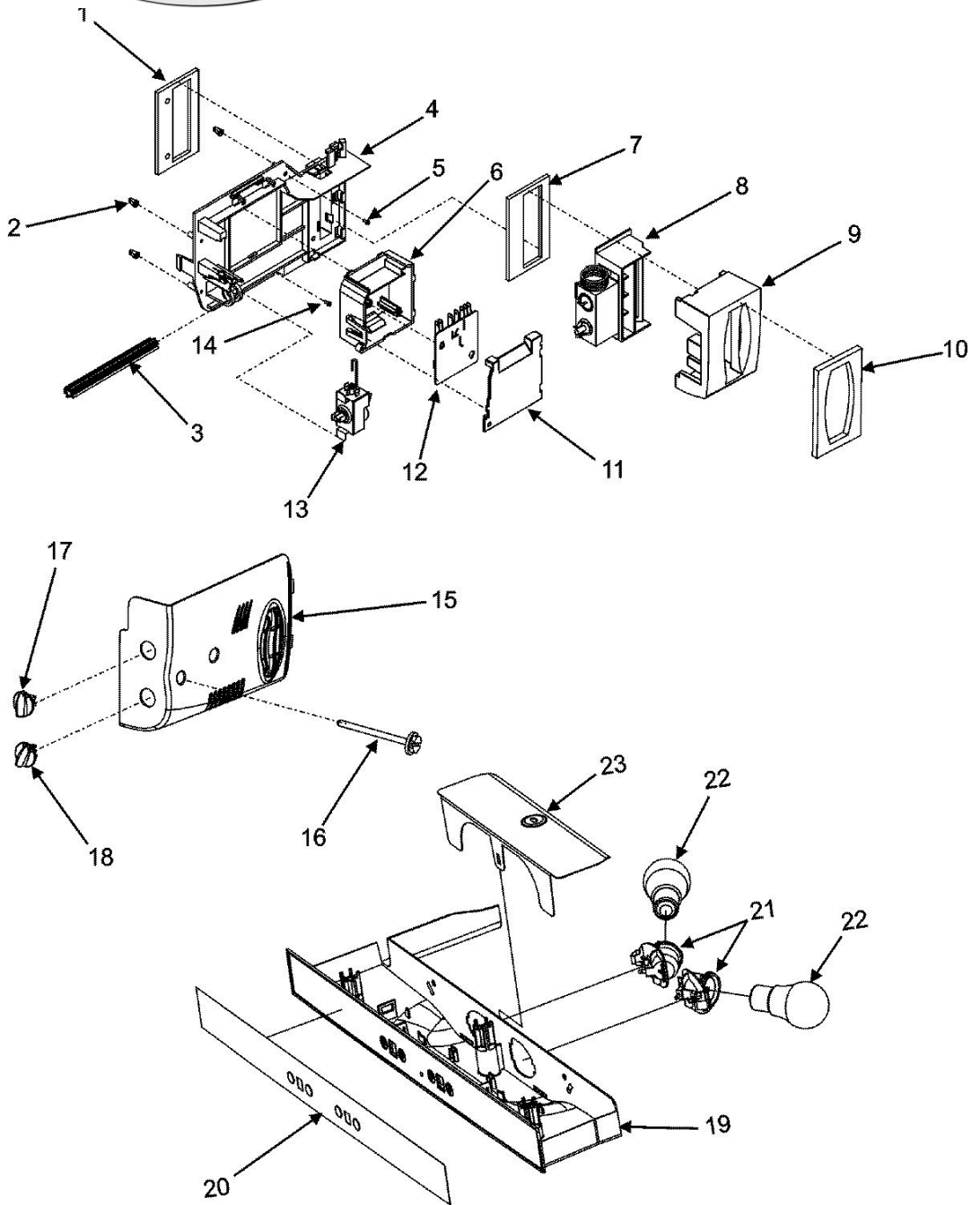




## Refrigerador Maytag MSD2655HEQ

Guía	N.P.	Serie	Descripción
1	10383201	Series 10	GASKET, DAMPER
2	M0580205	Series 10	GROMMET, SCREW
3	12571801	Series 10	EXTENSION, KNOB
4	12750301	Series 10	BRACKET, CONTROL
5	M0216539	Series 10	SCREW
6	12624801	Series 10	BOX, DEFROST CONTROL
7	12582801	Series 10	GASKET, DAMPER
8	12571701	Series 10	CONTROL, DAMPER
9	12604201	Series 10	INSULATION, DAMPER
10	12582901	Series 10	GASKET, CONTROL COVER
11	12624901	Series 10	COVER, DEFROST CONTROL
12	W11227239	Series 10	BOARD, ADAPTIVE DEFROST
13	67005335	Series 10	CONTROL, FZ TEMP
14	WP98165	Series 10	SCREW, SM
15	67004158	Series 10	COVER, CONTROL
16	M0231426	Series 10	SCREW
17	12581101	Series 10	KNOB, CONTROL
18	12581102	Series 10	KNOB, CONTROL
19	67004240	Series 10	HOUSING, FZ CONTROL
19	M0238636	Series 10	SCREW-SM
20	67004241	Series 10	OVERLAY
21	W10134764	Series 10	SOCKET, LIGHT
22	67003883	Series 10	BULB, LIGHT
23	67004157	Series 10	REFLECTOR, LIGHT
24	67004239	Series 10	HARNESS, CONTROL

Refrigerador Maytag MSD2655HEQ

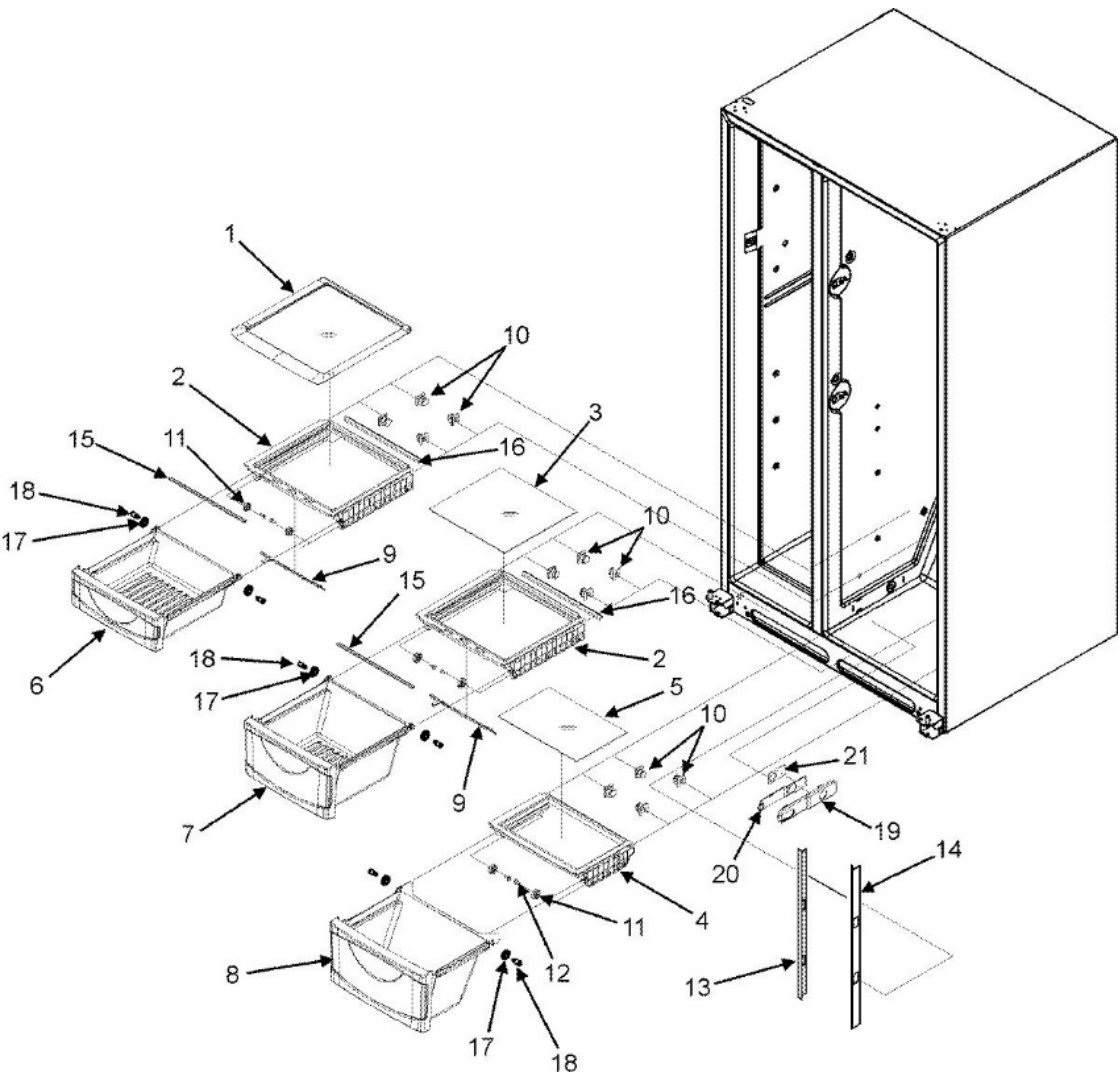




## Refrigerador Maytag MSD2655HEQ

Guía	N.P.	Serie	Descripción
1	67004031	Series 50	GASKET, DAMPER
2	M0580205	Series 50	GROMMET, SCREW
3	12571801	Series 50	EXTENSION, KNOB
4	12750301	Series 50	BRACKET, CONTROL
5	M0216539	Series 50	SCREW
6	12624801	Series 50	BOX, DEFROST CONTROL
7	12582801	Series 50	GASKET, DAMPER
8	12571701	Series 50	CONTROL, DAMPER
9	12604201	Series 50	INSULATION, DAMPER
10	12582901	Series 50	GASKET, CONTROL COVER
11	12624901	Series 50	COVER, DEFROST CONTROL
12	W11227239	Series 50	BOARD, ADAPTIVE DEFROST
13	67005335	Series 50	CONTROL, FZ TEMP
14	98165	Series 50	SCREW, SM
15	67004158	Series 50	COVER, CONTROL
16	M0231426	Series 50	SCREW
17	12581101	Series 50	KNOB, CONTROL
18	12581102	Series 50	KNOB, CONTROL
19	67004240	Series 50	HOUSING, FZ CONTROL
19	M0238636	Series 50	SCREW-SM
20	67004241	Series 50	OVERLAY
21	W10134764	Series 50	SOCKET, LIGHT
22	67003883	Series 50	BULB, LIGHT
23	67004157	Series 50	REFLECTOR, LIGHT
24	67004154	Series 50	HARNESS, CONTROL

Refrigerador Maytag MSD2655HEQ



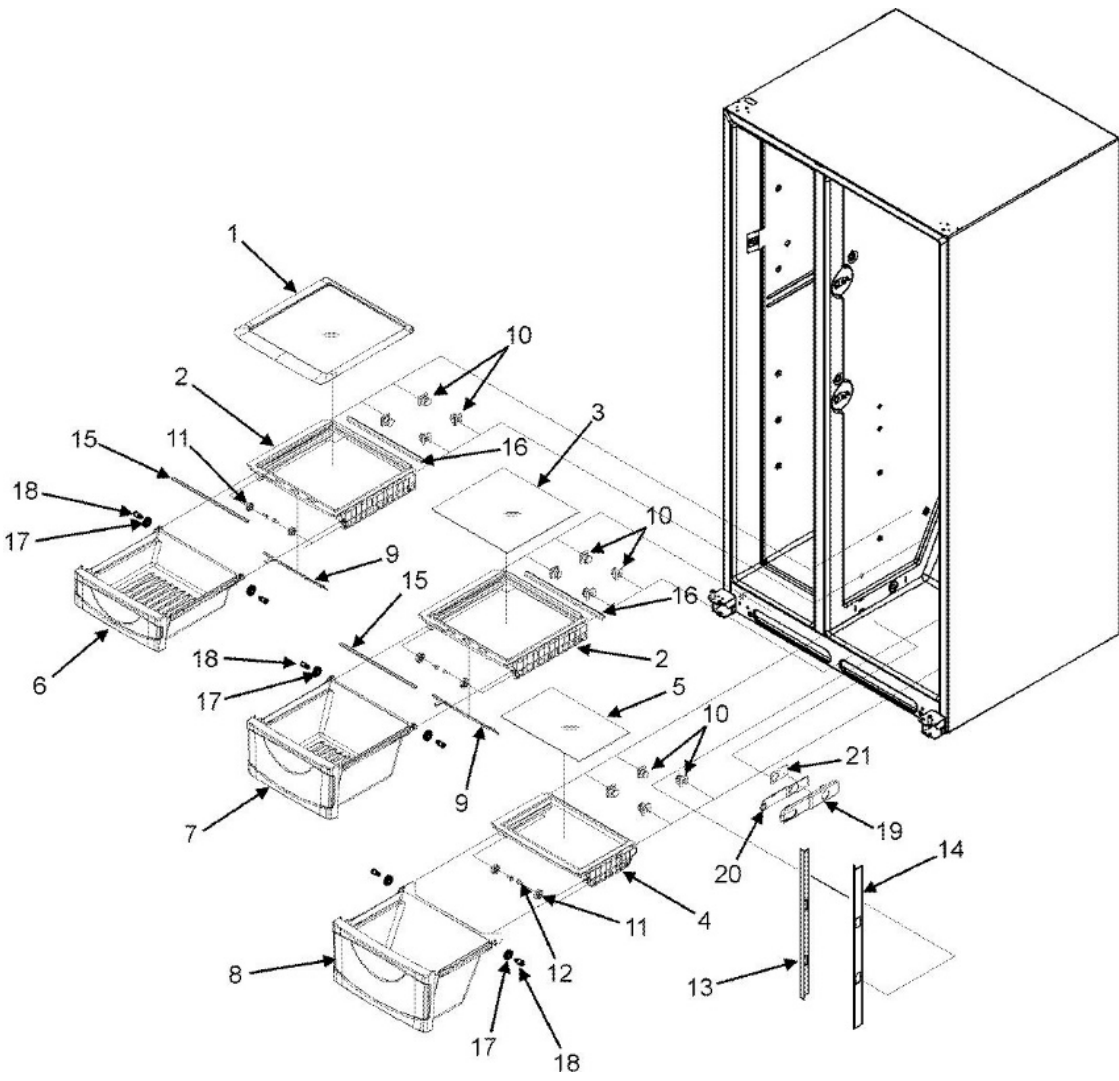


## Refrigerador Maytag MSD2655HEQ

Guía	N.P.	Serie	Descripción
1	67004130	Series 10	SHELF, CRISPER TOP
2	67004140	Series 10	FRAME, CRISPER SHELF
3	67004246	Series 10	GLASS, CRISPER SHELF
4	67004247	Series 10	FRAME, MEAT SHELF
5	67004132	Series 10	GLASS, MEAT SHELF
6	67004209	Series 10	PAN ASSY., SM CRISPER
7	67004210	Series 10	PAN ASSY., LG CRISPER
8	67004211	Series 10	PAN ASSY., MEAT
9	67004168	Series 10	SLIDE, CONTROL
10	12603701	Series 10	SUPPORT, CRISPER FRAME
11	67004169	Series 10	ROLLER, CRISPER
12	67006692	Series 10	SCREW, SHOULDER
13	67004170	Series 10	PILLAR (LT)
14	67004171	Series 10	PILLAR (RT)
15	67004889	Series 10	SEAL, CRISPER FRAME (FRT)
16	67004249	Series 10	SEAL, CRISPER FRAME (REAR)
17	67004133	Series 10	ROLLER, PAN
18	67004174	Series 10	PIN, ROLLER
19	67004175	Series 10	HOUSING, TEMP. CONTROL
20	67004176	Series 10	SLIDE, TEMP. CONTROL
21	67004177	Series 10	GASKET, TEMP. CONTROL



Refrigerador Maytag MSD2655HEQ

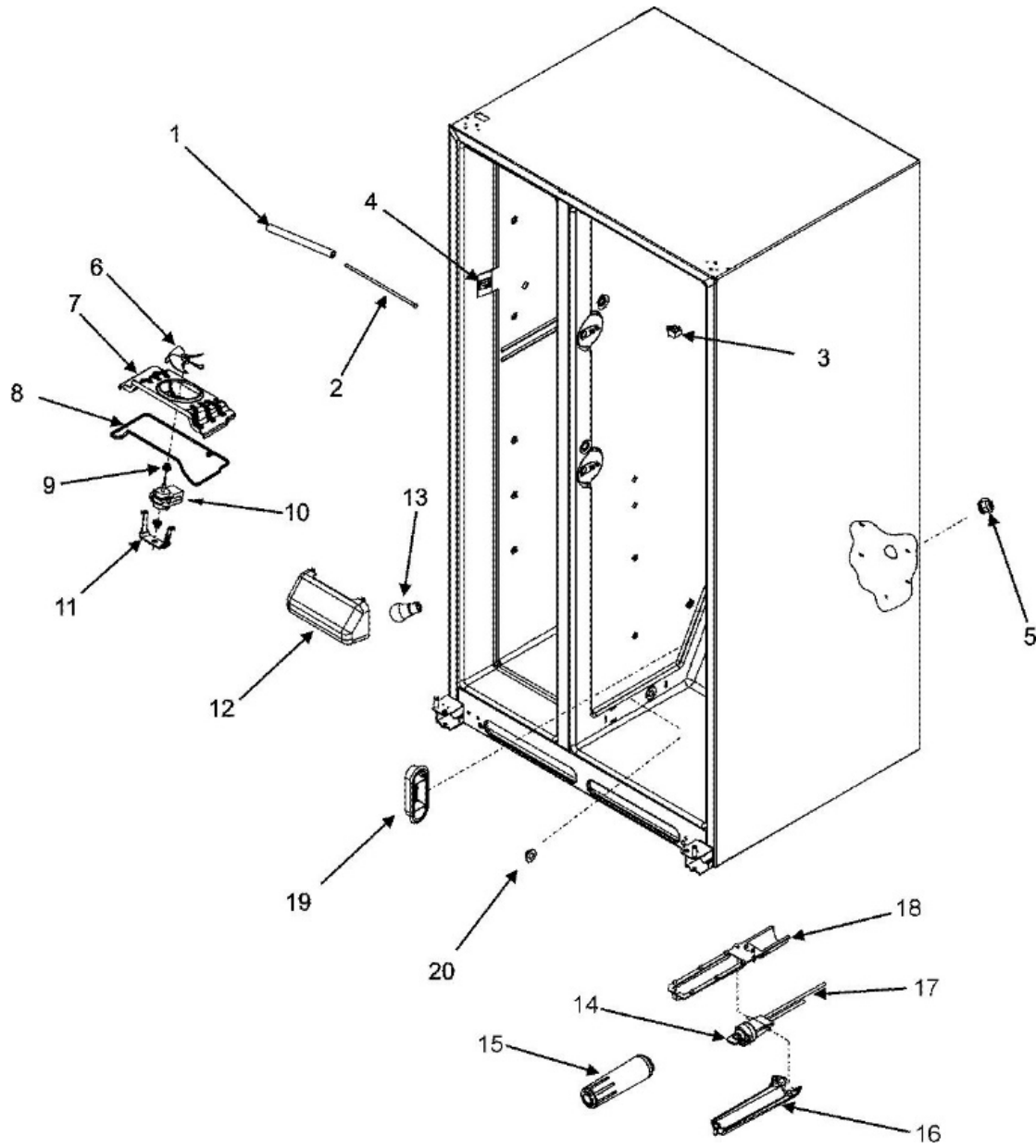




## Refrigerador Maytag MSD2655HEQ

Guía	N.P.	Serie	Descripción
1	67004130	Series 50	SHELF, CRISPER TOP
2	67004140	Series 50	FRAME, CRISPER SHELF
3	67004246	Series 50	GLASS, CRISPER SHELF
4	67004247	Series 50	FRAME, MEAT SHELF
5	67004132	Series 50	GLASS, MEAT SHELF
6	67004209	Series 50	PAN ASSY., SM CRISPER
7	67004210	Series 50	PAN ASSY., LG CRISPER
8	67004211	Series 50	PAN ASSY., MEAT
9	67004168	Series 50	SLIDE, CONTROL
10	12603701	Series 50	SUPPORT, CRISPER FRAME
11	67004169	Series 50	ROLLER, CRISPER
12	67006692	Series 50	SCREW, SHOULDER
13	67004170	Series 50	PILLAR (LT)
14	67004171	Series 50	PILLAR (RT)
15	67004889	Series 50	SEAL, CRISPER FRAME (FRT)
16	67004249	Series 50	SEAL, CRISPER FRAME (REAR)
17	67004133	Series 50	ROLLER, PAN
18	67004174	Series 50	PIN, ROLLER
19	67004175	Series 50	HOUSING, TEMP. CONTROL
20	67004176	Series 50	SLIDE, TEMP. CONTROL
21	67004177	Series 50	GASKET, TEMP. CONTROL

Refrigerador Maytag MSD2655HEQ

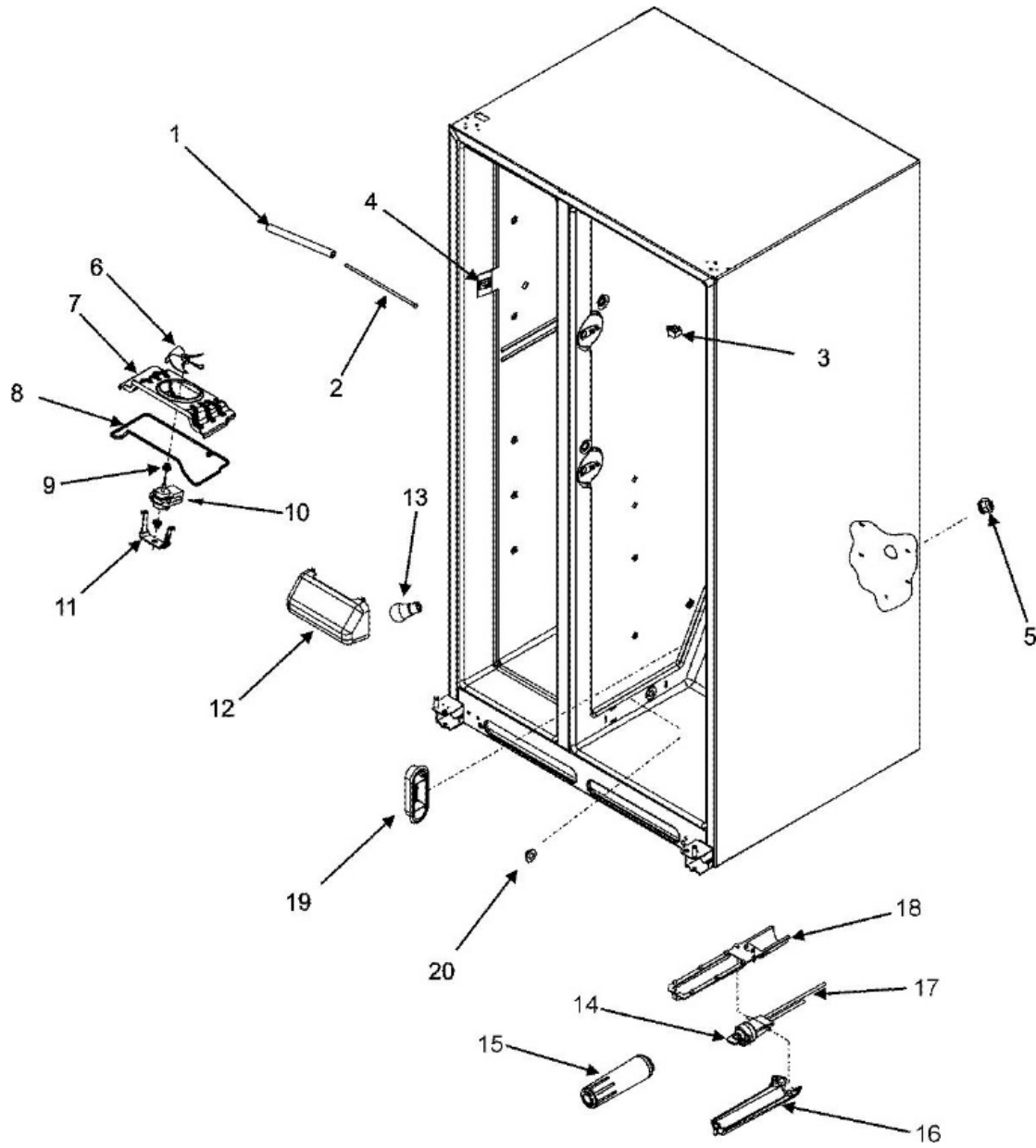




## Refrigerador Maytag MSD2655HEQ

Guía	N.P.	Serie	Descripción
1	67004185	Series 10	INSULATION, TUBING
2	67004186	Series 10	TUBE, PLASTIC
3	12466104	Series 10	SWITCH, REF LIGHT
4	W11396033	Series 10	SWITCH, LIGHT
5	W10134764	Series 10	SOCKET, LIGHT
6	WP2169142	Series 10	FAN, EVAPORATOR
7	67004253	Series 10	SHROUD, EVAP
8	67001508	Series 10	GASKET
9	67002780	Series 10	GROMMET, FAN MOTOR
10	W10128551	Series 10	MOTOR, EVAP FAN
11	67005633	Series 10	CLIP
12	67001507	Series 10	SHIELD, CRISPER LIGHT
13	67003883	Series 10	BULB, LIGHT
14	67003146	Series 10	PLUG, BYPASS
15	EDR4RXD1	Series 10	FILTER, WATER SINGLE
16	12568001	Series 10	COVER, FILTER
17	67004106	Series 10	HEAD, WATER FILTER (W/TUBING)
18	12688503	Series 10	PLATE, FILTER BACKING
19	12634801	Series 10	GRILLE, RETURN AIR
20	67003018	Series 10	PLUG, AIR TUNNEL

Refrigerador Maytag MSD2655HEQ

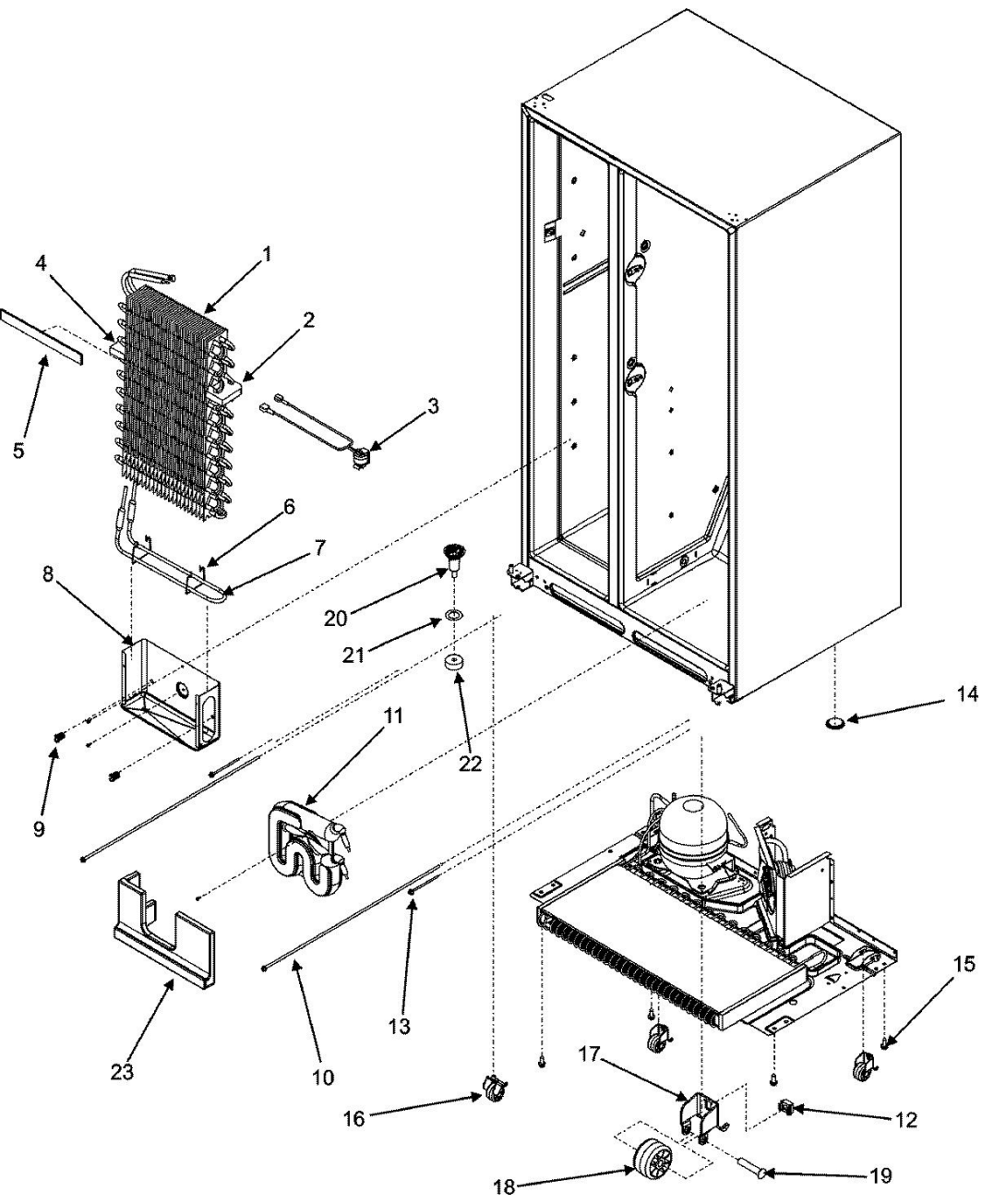




## Refrigerador Maytag MSD2655HEQ

Guía	N.P.	Serie	Descripción
1	67004185	Series 50	INSULATION, TUBING
2	67004186	Series 50	TUBE, PLASTIC
3	12466104	Series 50	SWITCH, REF LIGHT
4	W11396033	Series 50	SWITCH, LIGHT
5	W10134764	Series 50	SOCKET, LIGHT
6	WP2169142	Series 50	FAN, EVAPORATOR
7	67004253	Series 50	SHROUD, EVAP
8	67001508	Series 50	GASKET
9	67002780	Series 50	GROMMET, FAN MOTOR
10	W10128551	Series 50	MOTOR, EVAP FAN
11	67005633	Series 50	CLIP
12	67001507	Series 50	SHIELD, CRISPER LIGHT
13	67003883	Series 50	BULB, LIGHT
14	67003146	Series 50	PLUG, BYPASS
15	EDR4RXD1	Series 50	FILTER, WATER SINGLE
16	12568001	Series 50	COVER, FILTER
17	67004106	Series 50	HEAD, WATER FILTER (W/TUBING)
18	12688503	Series 50	PLATE, FILTER BACKING
19	12634801	Series 50	GRILLE, RETURN AIR
20	67003018	Series 50	PLUG, AIR TUNNEL

Refrigerador Maytag MSD2655HEQ





## Refrigerador Maytag MSD2655HEQ

Guía	N.P.	Serie	Descripción
1	12001940	Series 10	EVAP KIT (SXS)
2	12590102	Series 10	BLOCK, AIR COIL (RT)
3	67004757	Series 10	THERMOSTAT, DEFROST
4	12590101	Series 10	BLOCK, AIR COIL (LT)
5	67002226	Series 10	GASKET, FOAM
6	10428101	Series 10	CLIP, EVAP HEATER
7	67004188	Series 10	HEATER, EVAP
8	12558101WD	Series 10	TRAY, EVAP DRIP
8	WP90767	Series 10	SCREW, SM
9	10623003	Series 10	CLIP, EVAPORATOR
10	10093313	Series 10	SCREW, ADJUSTING
11	67003504	Series 10	TANK, WATER
11	WP98165	Series 10	SCREW, SM
12	M0286708	Series 10	NUT, SPEED
13	12606102	Series 10	BOLT, ROLLER ADJ
14	A3076901	Series 10	PLUG, BUTTON
15	W10709798	Series 10	SCREW
16	67002227	Series 10	ROLLER BRACKET ASSY
17	12456801	Series 10	BRACKET, ROLLER
18	WP10450603	Series 10	ROLLER
19	M1205302	Series 10	RIVET
20	12456901	Series 10	FUNNEL, DRAIN
21	M0500703	Series 10	SEAL, O RING
22	B8381501	Series 10	GASKET, DRAIN TUBE
23	67004309	Series 10	BLOCK, WATER TANK
24	67004189	Series 10	HEATER/HARNESS, FRZ



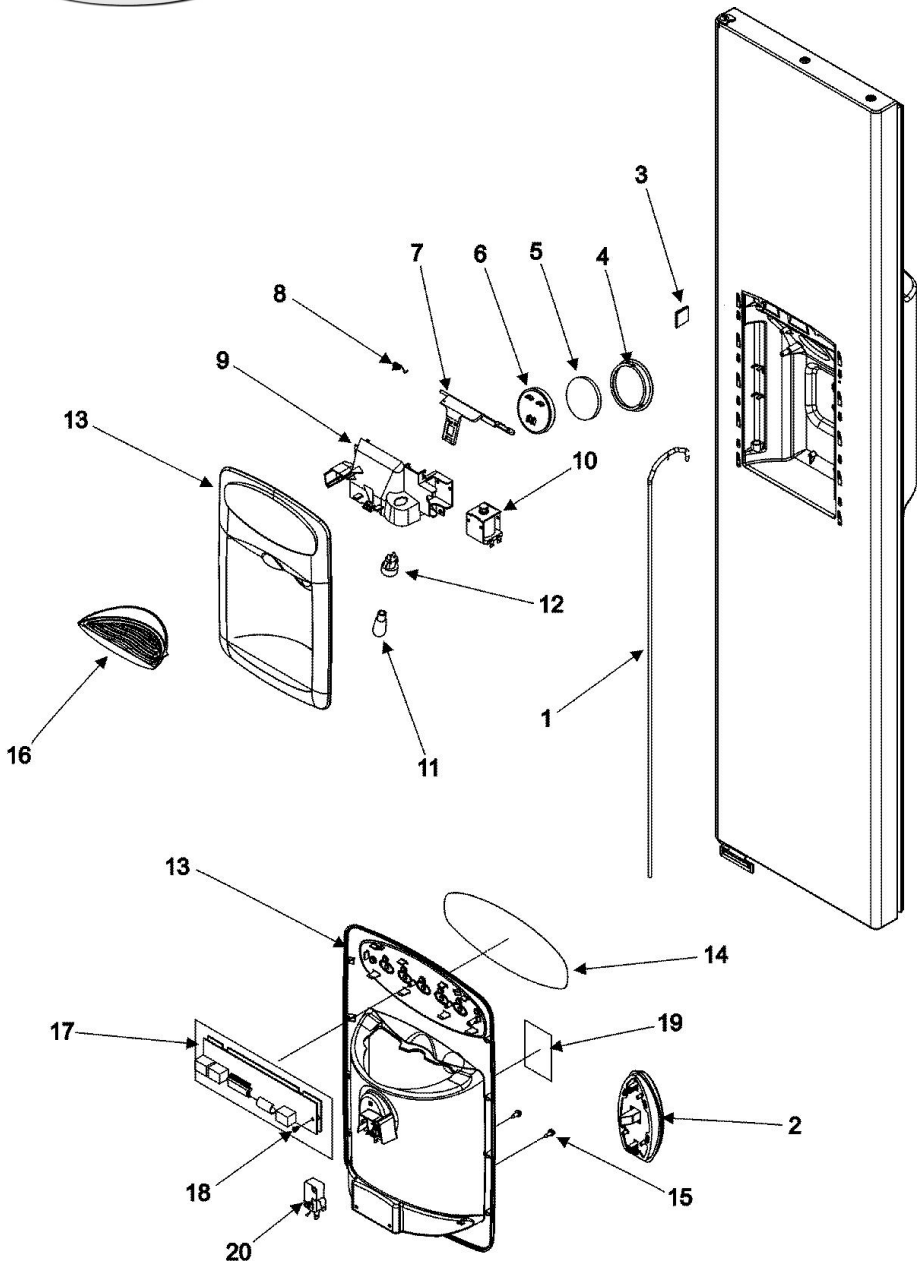




## Refrigerador Maytag MSD2655HEQ

Guía	N.P.	Serie	Descripción
1	12001940	Series 50	EVAP KIT (SXS)
2	12590102	Series 50	BLOCK, AIR COIL (RT)
3	WP67004757	Series 50	THERMOSTAT, DEFROST
4	12590101	Series 50	BLOCK, AIR COIL (LT)
5	67002226	Series 50	GASKET, FOAM
6	10428101	Series 50	CLIP, EVAP HEATER
7	67004188	Series 50	HEATER, EVAP
8	12558101WD	Series 50	TRAY, EVAP DRIP
8	WP90767	Series 50	SCREW, SM
9	10623003	Series 50	CLIP, EVAPORATOR
10	10093313	Series 50	SCREW, ADJUSTING
11	67003504	Series 50	TANK, WATER
11	WP98165	Series 50	SCREW, SM
12	M0286708	Series 50	NUT, SPEED
13	71003131	Series 50	BOLT, ROLLER ADJ
14	A3076901	Series 50	PLUG, BUTTON
15	W10709798	Series 50	SCREW
16	67002227	Series 50	ROLLER BRACKET ASSY
17	12456801	Series 50	BRACKET, ROLLER
18	WP10450603	Series 50	ROLLER
19	M1205302	Series 50	RIVET
20	12456901	Series 50	FUNNEL, DRAIN
21	M0500703	Series 50	SEAL, O RING
22	B8381501	Series 50	GASKET, DRAIN TUBE
23	67004309	Series 50	BLOCK, WATER TANK
24	67004189	Series 50	HEATER/HARNESS, FRZ

Refrigerador Maytag MSD2655HEQ

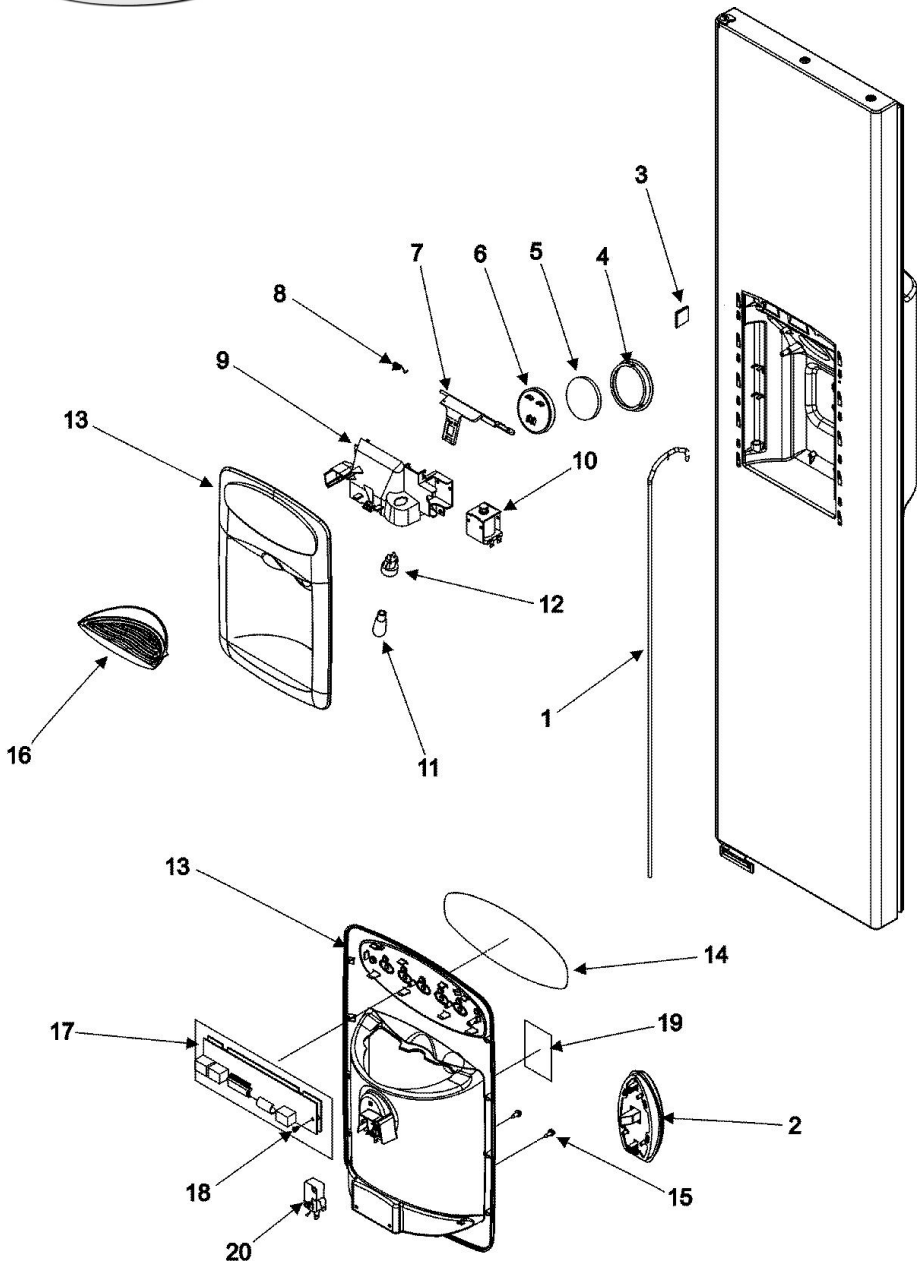




## Refrigerador Maytag MSD2655HEQ

Guía	N.P.	Serie	Descripción
1	67004938	Series 10	WATERLINE ASSY.
1	W10833902	Series 10	CLAMP, TUBE
2	12598902S	Series 10	ACTR PAD FRAME ASSY. (STNLS)
3	M0104102	Series 10	CLIP, CORD
4	12665101	Series 10	SEAL, ICE CHUTE
5	67007098	Series 10	INSUL, CHUTE DOORxx
6	12562701	Series 10	DOOR, ICE CHUTE
7	67004119	Series 10	HINGE, ICE CHUTE
8	12565502	Series 10	SPRING, CHUTE DR
9	67006534	Series 10	EXTENSION, ICE CHUTE
9	67006425	Series 10	SCREW, SM
10	12575401	Series 10	SOLENOID
10	488234	Series 10	SCREW, MACH
11	W10857122	Series 10	BULB, LIGHT
12	12617501	Series 10	SOCKET, LIGHT
13	67004150	Series 10	FACADE (BSQ)
14	67004152	Series 10	INSERT, FACADE (BSQ)
15	R9800670	Series 10	SCREW, MOUNTING
16	67004153	Series 10	TRAY, SUMP (BSQ)
17	67003817	Series 10	BOARD, CONTROL
18	2006254	Series 10	SCREW, HI/LO
19	67003351	Series 10	LABEL, DISPENSER
20	12575501	Series 10	SWITCH, LIMIT

Refrigerador Maytag MSD2655HEQ

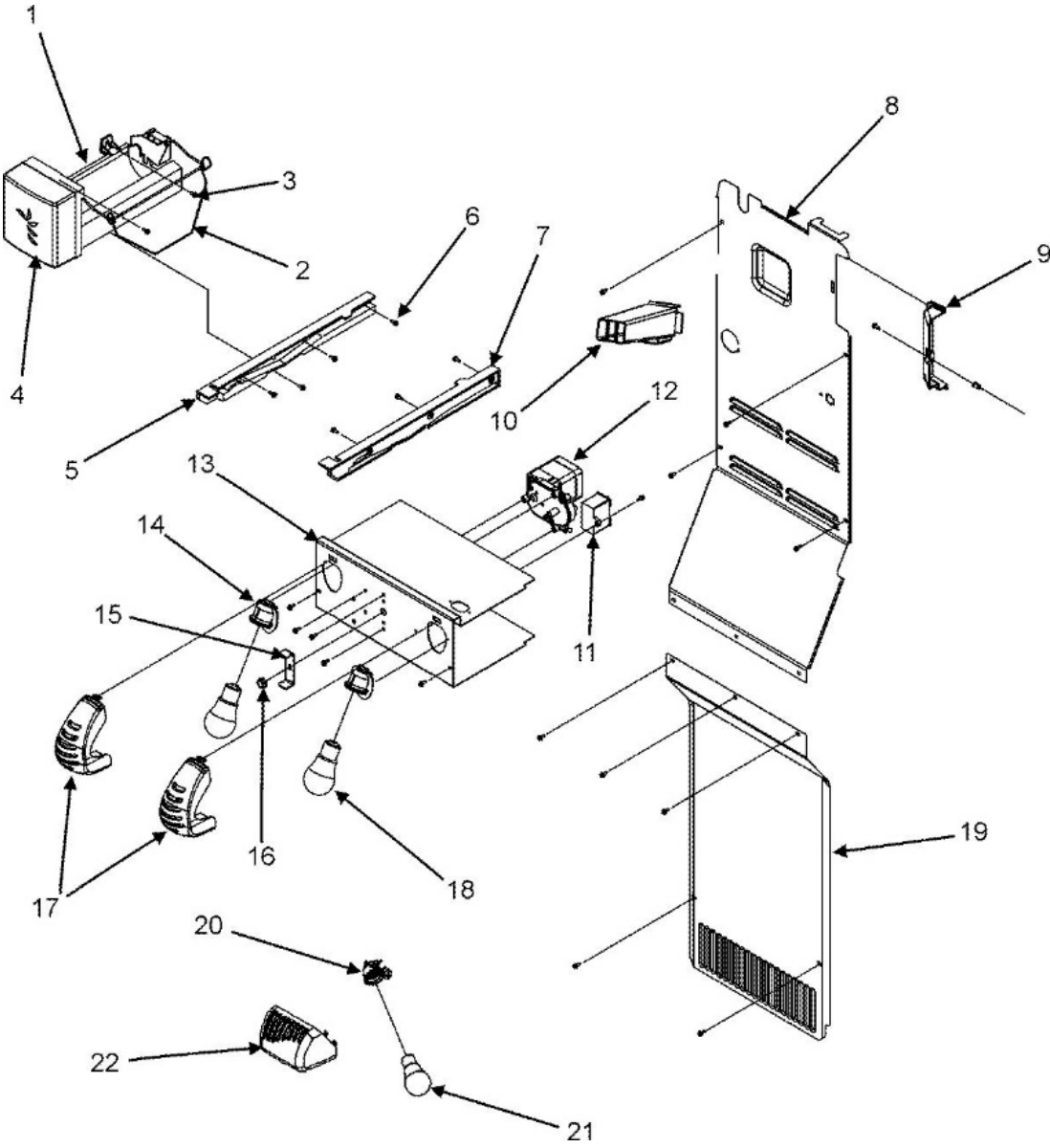




## Refrigerador Maytag MSD2655HEQ

Guía	N.P.	Serie	Descripción
1	67004938	Series 50	WATERLINE ASSY.
1	W10833902	Series 50	CLAMP, TUBE
2	12598902S	Series 50	ACTR PAD FRAME ASSY. (STNLS)
3	M0104102	Series 50	CLIP, CORD
4	12665101	Series 50	SEAL, ICE CHUTE
5	67007098	Series 50	INSUL, CHUTE DOORxx
6	12562701	Series 50	DOOR, ICE CHUTE
7	67004119	Series 50	HINGE, ICE CHUTE
8	12565502	Series 50	SPRING, CHUTE DR
9	67006534	Series 50	EXTENSION, ICE CHUTE
9	67006425	Series 50	SCREW, SM
10	12575401	Series 50	SOLENOID
10	488234	Series 50	SCREW, MACH
11	W10857122	Series 50	BULB, LIGHT
12	12617501	Series 50	SOCKET, LIGHT
13	67004221	Series 50	FACADE, 5 BUTTON (BSQ)
14	67004152	Series 50	INSERT, FACADE (BSQ)
15	R9800670	Series 50	SCREW, MOUNTING
16	67004153	Series 50	TRAY, SUMP (BSQ)
17	67003817	Series 50	BOARD, CONTROL
18	2006254	Series 50	SCREW, HI/LO
19	67003351	Series 50	LABEL, DISPENSER
20	12575501	Series 50	SWITCH, LIMIT

Refrigerador Maytag MSD2655HEQ



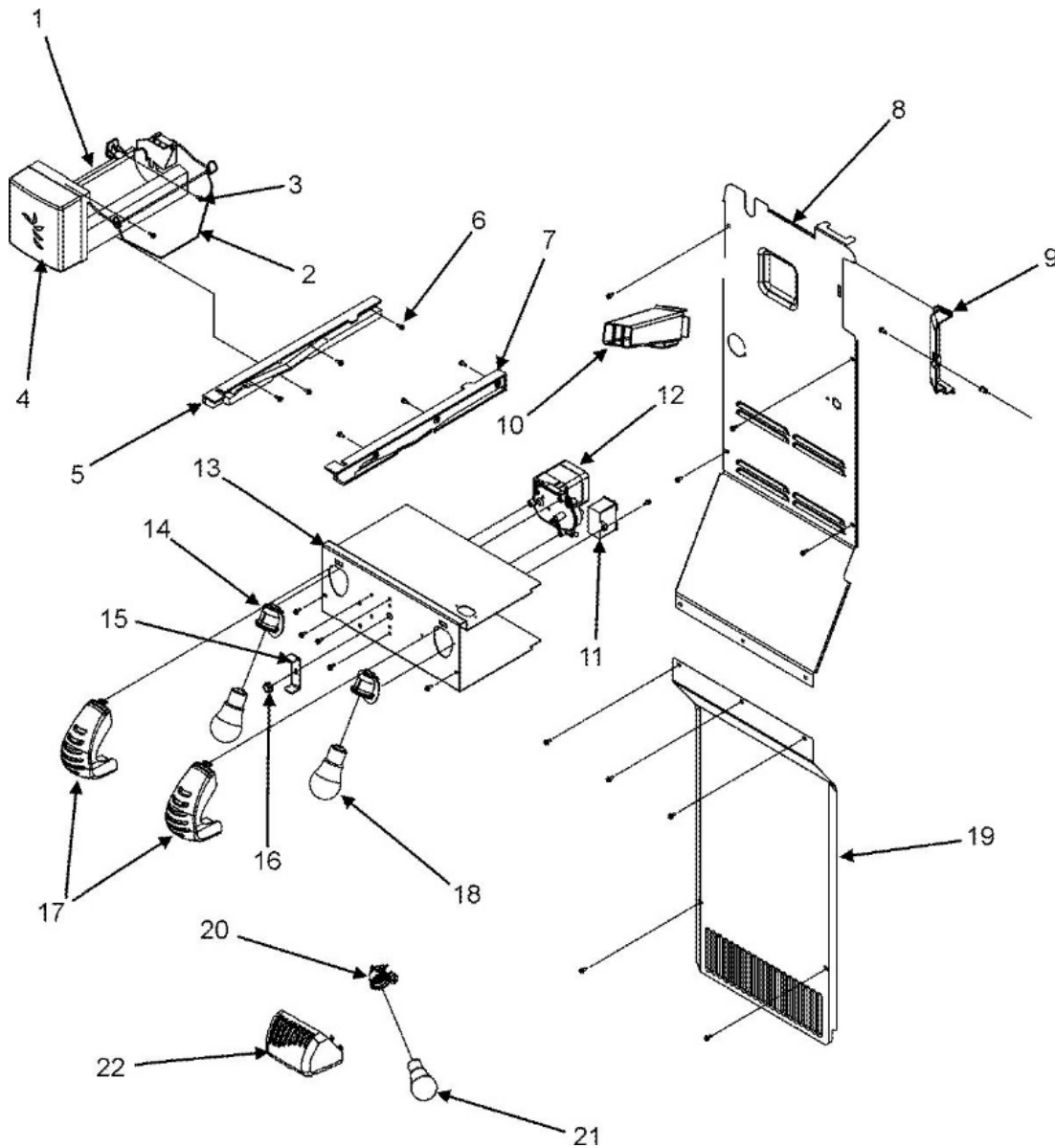


## Refrigerador Maytag MSD2655HEQ

Guía	N.P.	Serie	Descripción
1	D7824706Q	Series 10	ICE MAKER ASSY.
1	2256087	Series 10	BRKT, ICE MAKER
2	W10152975	Series 10	ASSY, IM ARM/WIRE
3	67006425	Series 10	SCREW, SM
4	W10289690	Series 10	COVER, ICE MAKER
5	67005375	Series 10	GLIDE, FRZ. (LT)
6	67006529	Series 10	SCREW, SM (STNLS)
7	67003870	Series 10	GLIDE, FRZ. (RT)
8	67003577	Series 10	BACK INNER FZ 26
9	12583101	Series 10	COVER, SUPPLY AIR
9	67006425	Series 10	SCREW, SM
9	M0580205	Series 10	GROMMET, SCREW
10	67003578	Series 10	DUCT, QUICK ICE 26
11	WP65889-4	Series 10	CAPACITOR
12	67003226	Series 10	MOTOR, AUGER
12	W10139210	Series 10	SCREW, TC
13	12561701	Series 10	COVER, AUGER MOTOR
15	10114901	Series 10	DRIVER (ICE MAKER)
16	M0223101	Series 10	NUT, LOCKING
17	67003588	Series 10	SHIELD, FZ LIGHT
19	67004192	Series 10	COVER, EVAP
20	W10134764	Series 10	SOCKET, LIGHT
21	67003883	Series 10	BULB, LIGHT
22	67003829	Series 10	SHIELD, FZ LIGHT



Refrigerador Maytag MSD2655HEQ

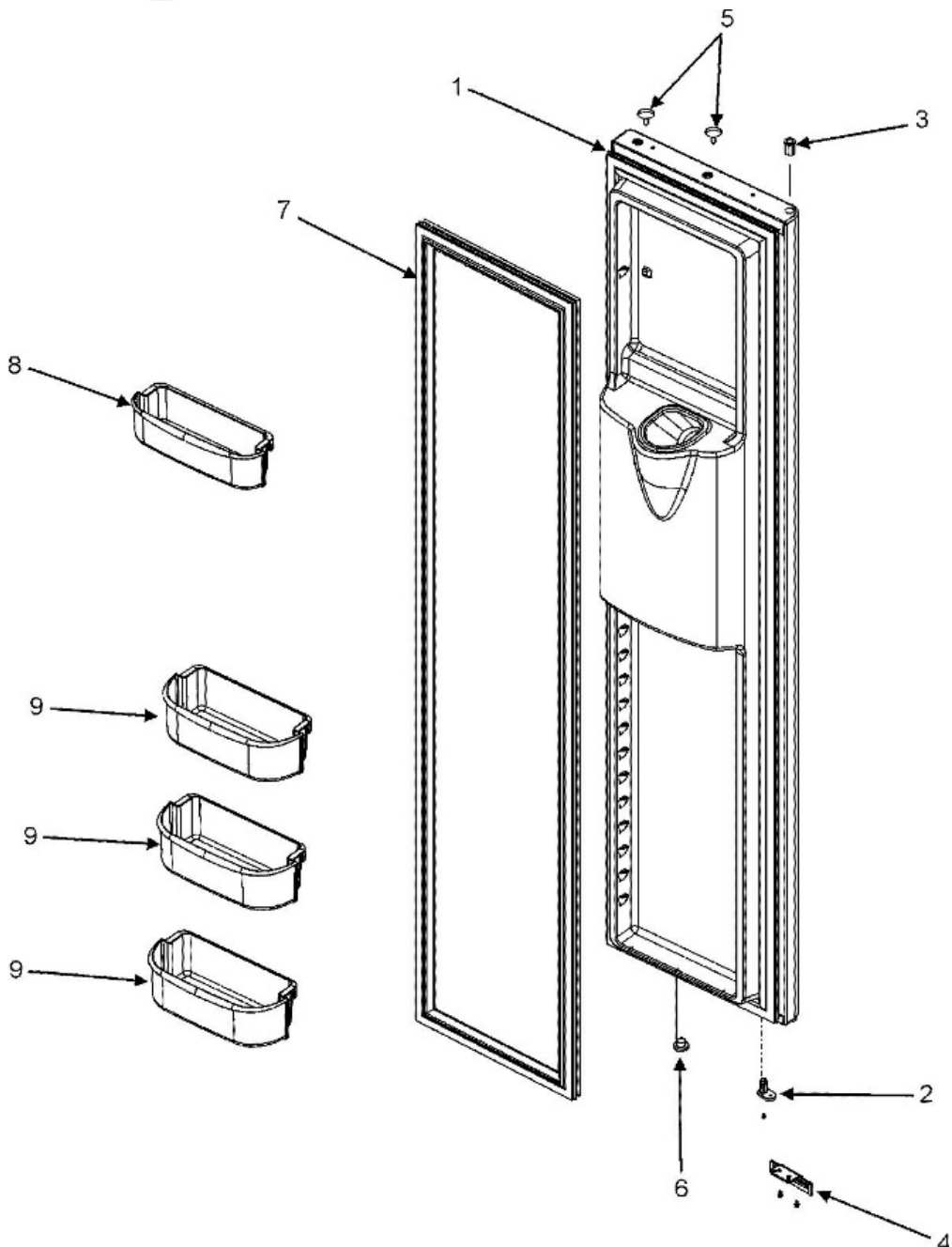




## Refrigerador Maytag MSD2655HEQ

Guía	N.P.	Serie	Descripción
1	D7824706Q	Series 50	ICE MAKER ASSY.
1	WP2256087	Series 50	BRKT, ICE MAKER
2	W10152975	Series 50	ASSY, IM ARM/WIRE
3	67006425	Series 50	SCREW, SM
4	W10289690	Series 50	COVER, ICE MAKER
5	67005375	Series 50	GLIDE, FRZ. (LT)
6	67006529	Series 50	SCREW, SM (STNLS)
7	67004323	Series 50	GLIDE, FRZ. (RT)
8	67003577	Series 50	BACK INNER FZ 26
9	12583101	Series 50	COVER, SUPPLY AIR
9	67006425	Series 50	SCREW, SM
9	M0580205	Series 50	GROMMET, SCREW
10	67003578	Series 50	DUCT, QUICK ICE 26
11	65889-4	Series 50	CAPACITOR
12	67003226	Series 50	MOTOR, AUGER
12	W10139210	Series 50	SCREW, TC
13	12561701	Series 50	COVER, AUGER MOTOR
15	10114901	Series 50	DRIVER (ICE MAKER)
16	M0223101	Series 50	NUT, LOCKING
17	67004433	Series 50	SHIELD, FZ LIGHT
19	67004192	Series 50	COVER, EVAP
20	W10134764	Series 50	SOCKET, LIGHT
21	67003883	Series 50	BULB, LIGHT
22	67004135	Series 50	SHIELD, FZ LIGHT

Refrigerador Maytag MSD2655HEQ

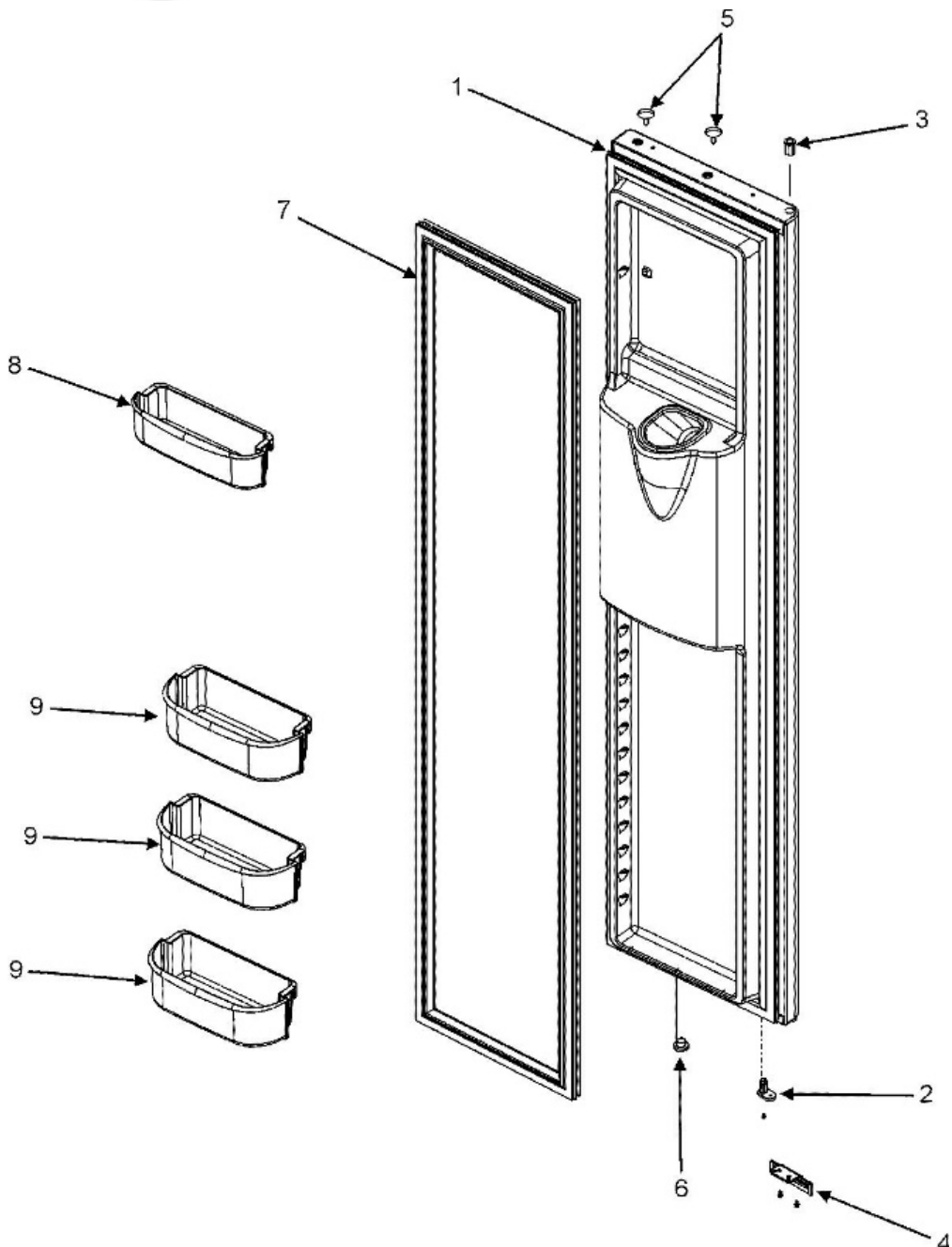




## Refrigerador Maytag MSD2655HEQ

Guía	N.P.	Serie	Descripción
1	67004125	Series 10	DOOR ASSY., FRZ. FOAM (BSQ)
2	12571301B	Series 10	CLOSURE, DOOR (BLK)
2	8281227	Series 10	SCREW, TC
3	12395501B	Series 10	BUSHING, DOOR (BLK)
4	12636401C	Series 10	STOP, DOOR (BSQ)
4	98165	Series 10	SCREW, SM
5	M0311606	Series 10	PLUG, BUTTON (BSQ)
6	A3080001	Series 10	PLUG, BUTTON (BLK)
7	67003968	Series 10	GASKET, FRZ. DOOR (WHT)
8	12556901	Series 10	BUCKET, UPR FZ DR
9	12557501	Series 10	BUCKET, LWR FZ DR

Refrigerador Maytag MSD2655HEQ

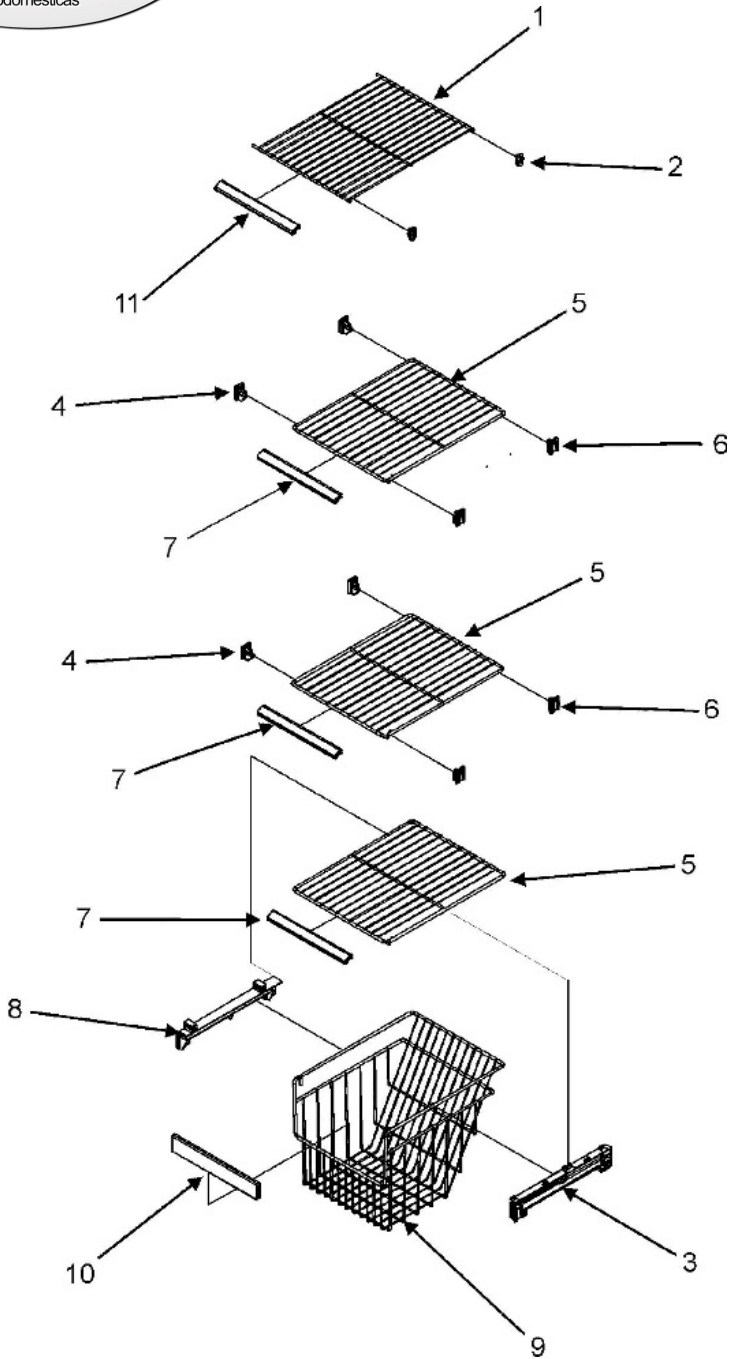




## Refrigerador Maytag MSD2655HEQ

Guía	N.P.	Serie	Descripción
1	67003988	Series 50	DOOR ASSY., FRZ. FOAM (BSQ)
2	12571301B	Series 50	CLOSURE, DOOR (BLK)
2	8281227	Series 50	SCREW, TC
3	12395501B	Series 50	BUSHING, DOOR (BLK)
4	12636401C	Series 50	STOP, DOOR (BSQ)
4	98165	Series 50	SCREW, SM
5	M0311606	Series 50	PLUG, BUTTON (BSQ)
6	A3080001	Series 50	PLUG, BUTTON (BLK)
7	67003968	Series 50	GASKET, FRZ. DOOR (WHT)
8	12556901	Series 50	BUCKET, UPR FZ DR
9	12557501	Series 50	BUCKET, LWR FZ DR

# Refrigerador Maytag MSD2655HEQ



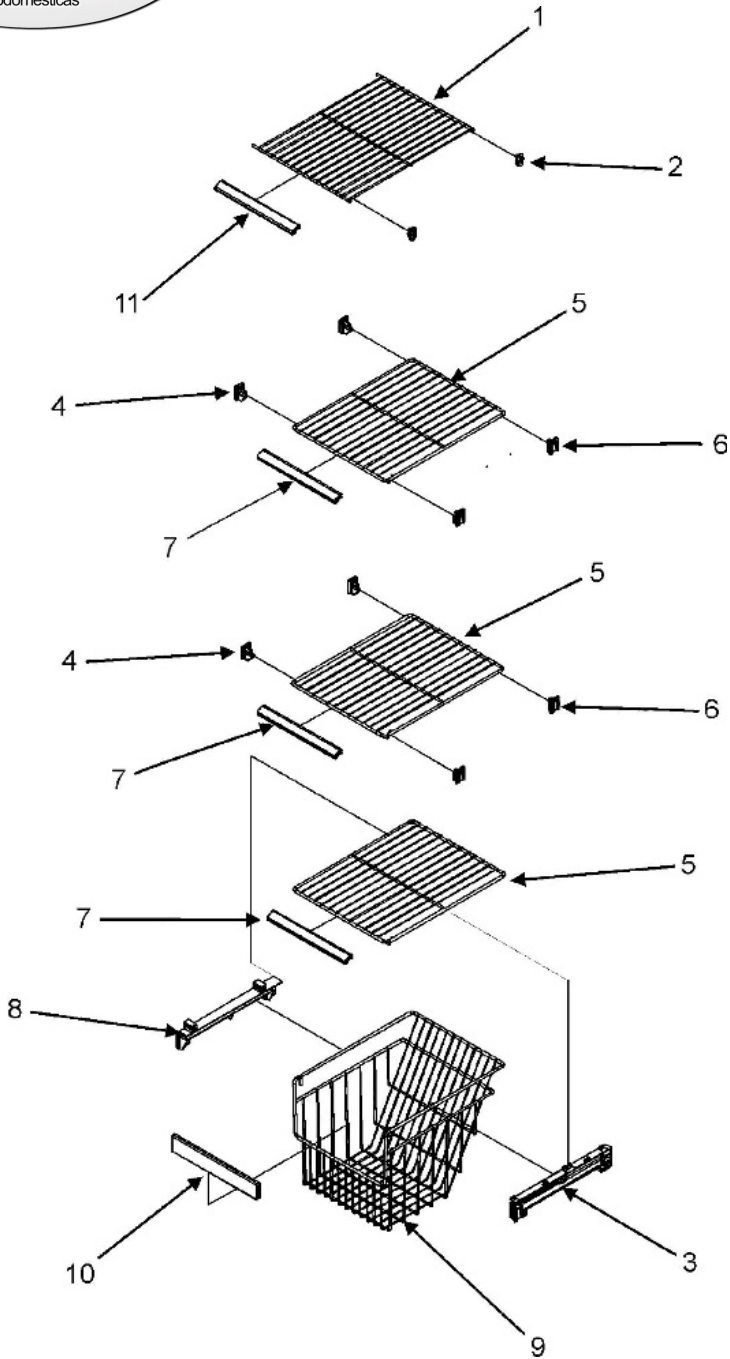


## Refrigerador Maytag MSD2655HEQ

Guía	N.P.	Serie	Descripción
1	12570601	Series 10	SHELF, UPR FZ
2	C8973801	Series 10	SUPPORT, FRZ SHELF
3	67004179	Series 10	RAIL, BASKET (RT)
4	12015002	Series 10	SUPPORT, SHELF (LT)
5	67004250	Series 10	SHELF, LWR FZ
6	10941102	Series 10	SUPPORT, SHELF (RT)
7	12314101	Series 10	TRIM, BASKET/SHELF
8	67004182	Series 10	RAIL, BASKET (LT)
9	67004251	Series 10	BASKET, LWR FRZ
10	67004252	Series 10	TRIM, FZ BASKET
11	12314102	Series 10	TRIM, BASKET/SHELF



Refrigerador Maytag MSD2655HEQ

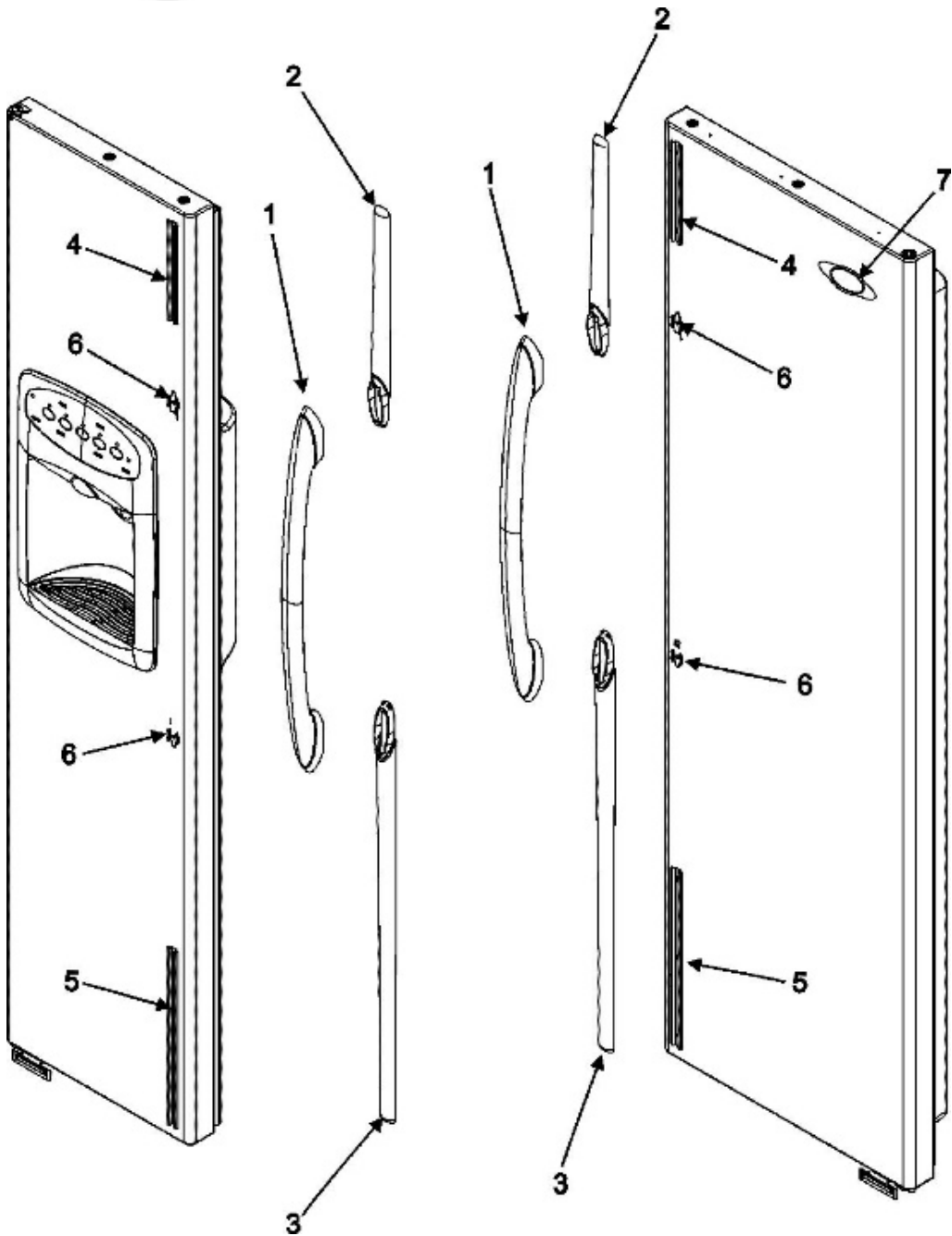




## Refrigerador Maytag MSD2655HEQ

Guía	N.P.	Serie	Descripción
1	67004354	Series 50	SHELF, UPR FRZ.
2	C8973801	Series 50	SUPPORT, FRZ SHELF
3	67004179	Series 50	RAIL, BASKET (RT)
4	12015002	Series 50	SUPPORT, SHELF (LT)
5	67004250	Series 50	SHELF, LWR FZ
6	10941102	Series 50	SUPPORT, SHELF (RT)
7	12314101	Series 50	TRIM, BASKET/SHELF
8	67004182	Series 50	RAIL, BASKET (LT)
9	67004251	Series 50	BASKET, LWR FRZ
10	67004252	Series 50	TRIM, FZ BASKET
11	12314102	Series 50	TRIM, BASKET/SHELF

Refrigerador Maytag MSD2655HEQ

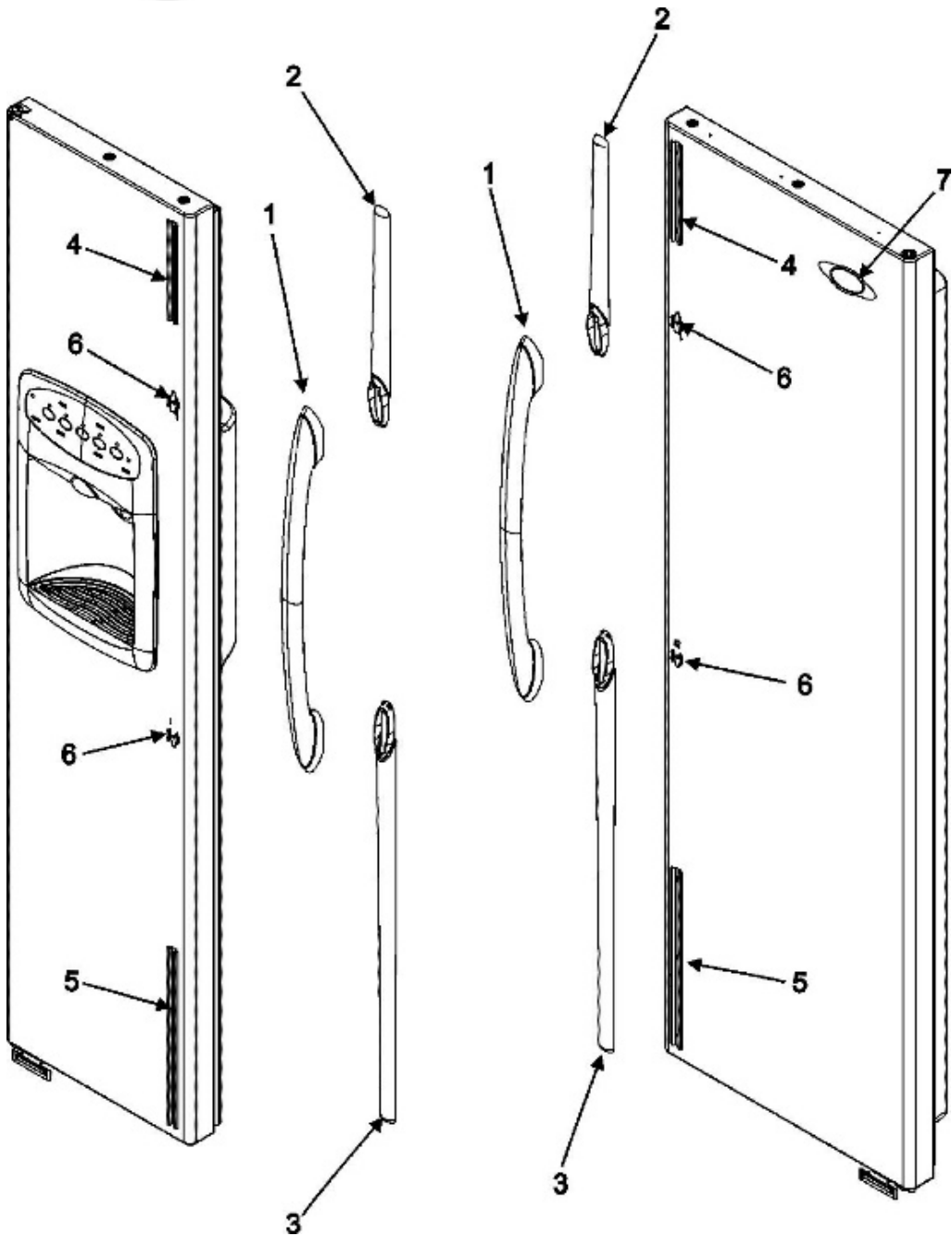




Refrigerador Maytag MSD2655HEQ

Guía	N.P.	Serie	Descripción
1	67007028	Series 10	CARD, HANDLE RELEASE SS & WS
1	67004139	Series 10	HANDLE ASSY., DOOR (BSQ)
2	67004233	Series 10	TRIM, TOP DOOR (BSQ)
3	67004236	Series 10	TRIM, BOTTOM DOOR (BSQ)
4	67004116	Series 10	CLEAT, HANDLE
5	W10856125	Series 10	SCREW, SM No.8
5	67004117	Series 10	CLEAT, HANDLE
6	67006852	Series 10	CLIP, HANDLE BUTTERFLY
6	67003800	Series 10	SCREW, SM No.10
7	2324038	Series 10	NAMEPLATE

Refrigerador Maytag MSD2655HEQ

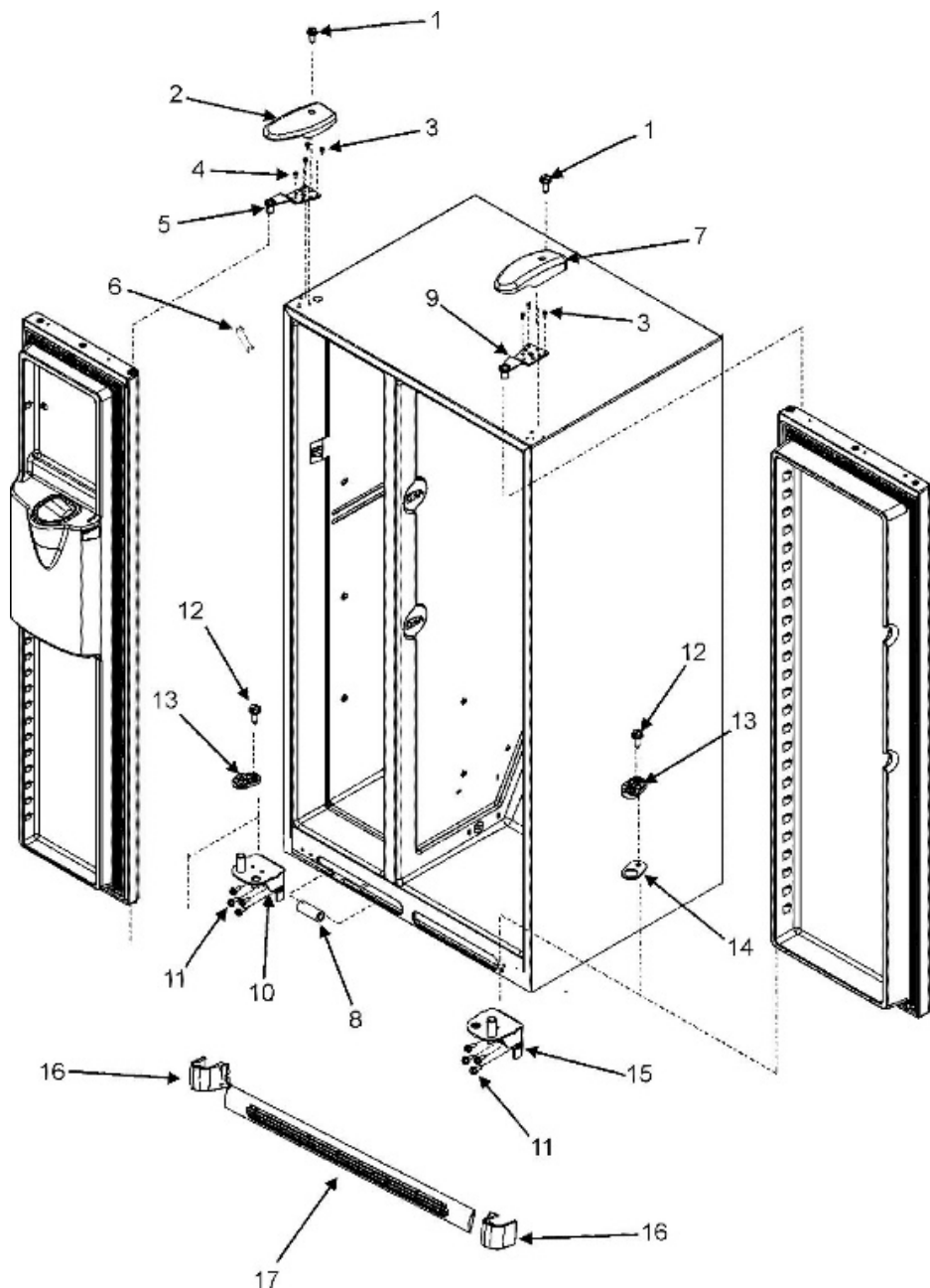




Refrigerador Maytag MSD2655HEQ

Guía	N.P.	Serie	Descripción
1	67007028	Series 50	CARD, HANDLE RELEASE SS & WS
1	67004139	Series 50	HANDLE ASSY., DOOR (BSQ)
2	67004233	Series 50	TRIM, TOP DOOR (BSQ)
3	67004236	Series 50	TRIM, BOTTOM DOOR (BSQ)
4	67004116	Series 50	CLEAT, HANDLE
5	W10856125	Series 50	SCREW, SM No.8
5	67004117	Series 50	CLEAT, HANDLE
6	67006852	Series 50	CLIP, HANDLE BUTTERFLY
6	67003800	Series 50	SCREW, SM No.10
7	2324038	Series 50	NAMEPLATE

# Refrigerador Maytag MSD2655HEQ



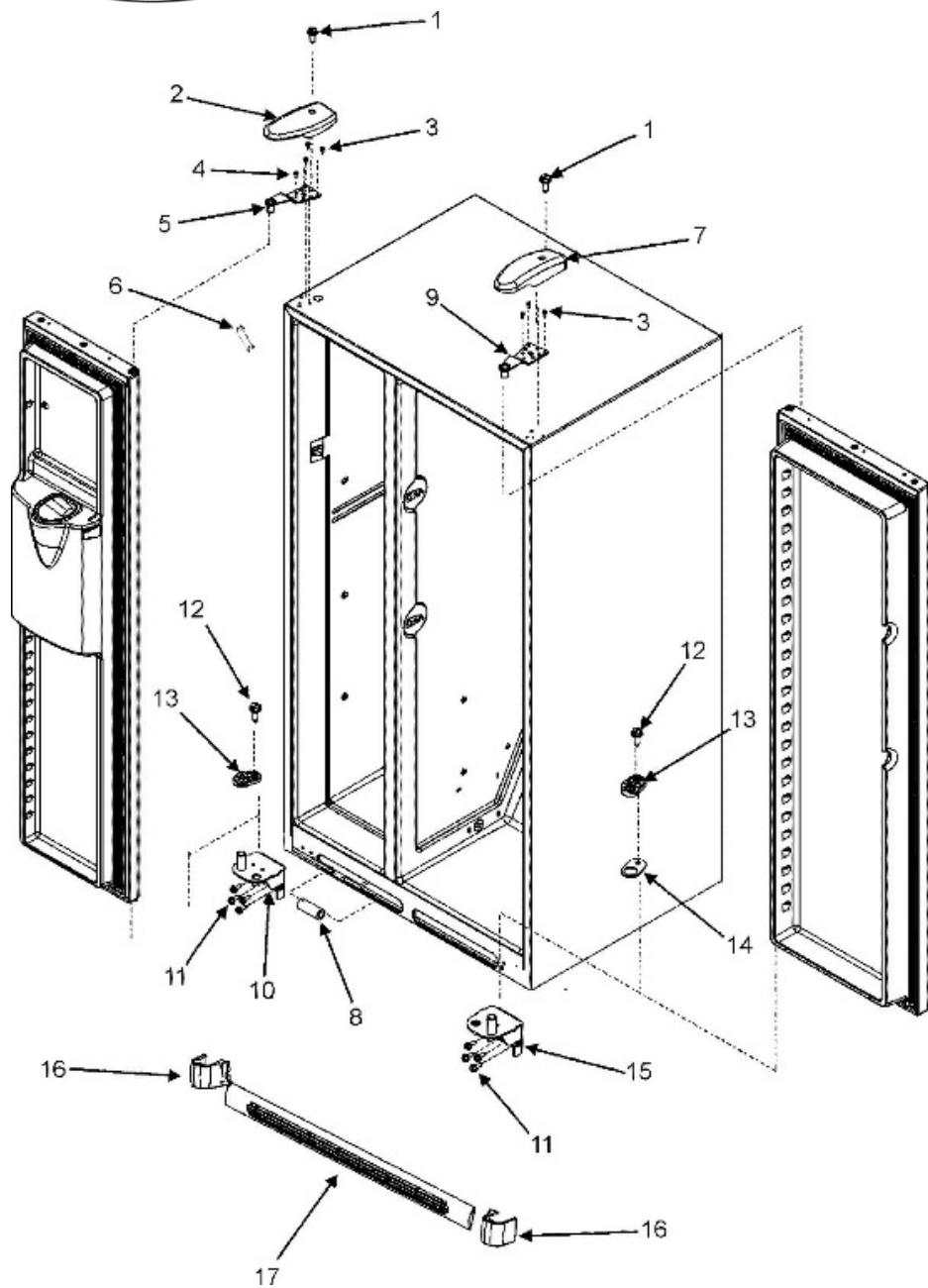


## Refrigerador Maytag MSD2655HEQ

Guía	N.P.	Serie	Descripción
1	8281196	Series 10	SCREW, MACH
2	67003976	Series 10	COVER, TOP HINGE (LT-BSQ)
3	489349	Series 10	SCREW, TF
4	W11214483	Series 10	SCREW, MACH
5	67006489	Series 10	HINGE, TOP (LT-BLK)
6	12587703C	Series 10	COVER, CORNER (BSQ)
7	67004026	Series 10	COVER, TOP HINGE (RT-BSQ)
8	2300868	Series 10	UNION, TUBE (5/16``-5/16``)
9	W10850512	Series 10	HINGE, TOP (RT-BLK)
10	12636901ED	Series 10	HINGE, BOTTOM (LT-BLK)
11	67006491	Series 10	SCREW, BOTTOM HINGE
12	M0220431	Series 10	SCREW, TC
13	R0181181	Series 10	CLOSURE, DOOR (BLK)
14	67005716	Series 10	SHIM, DR CLOSURE (BLK)
15	12636902ED	Series 10	HINGE, BOTTOM (RT-BLK)
16	12630301C	Series 10	COVER, LWR HINGE (BSQ)
17	12627302	Series 10	CLIP, TOE GRILLE
17	67002390	Series 10	TOE GRILLE ASSY (BSQ)



Refrigerador Maytag MSD2655HEQ

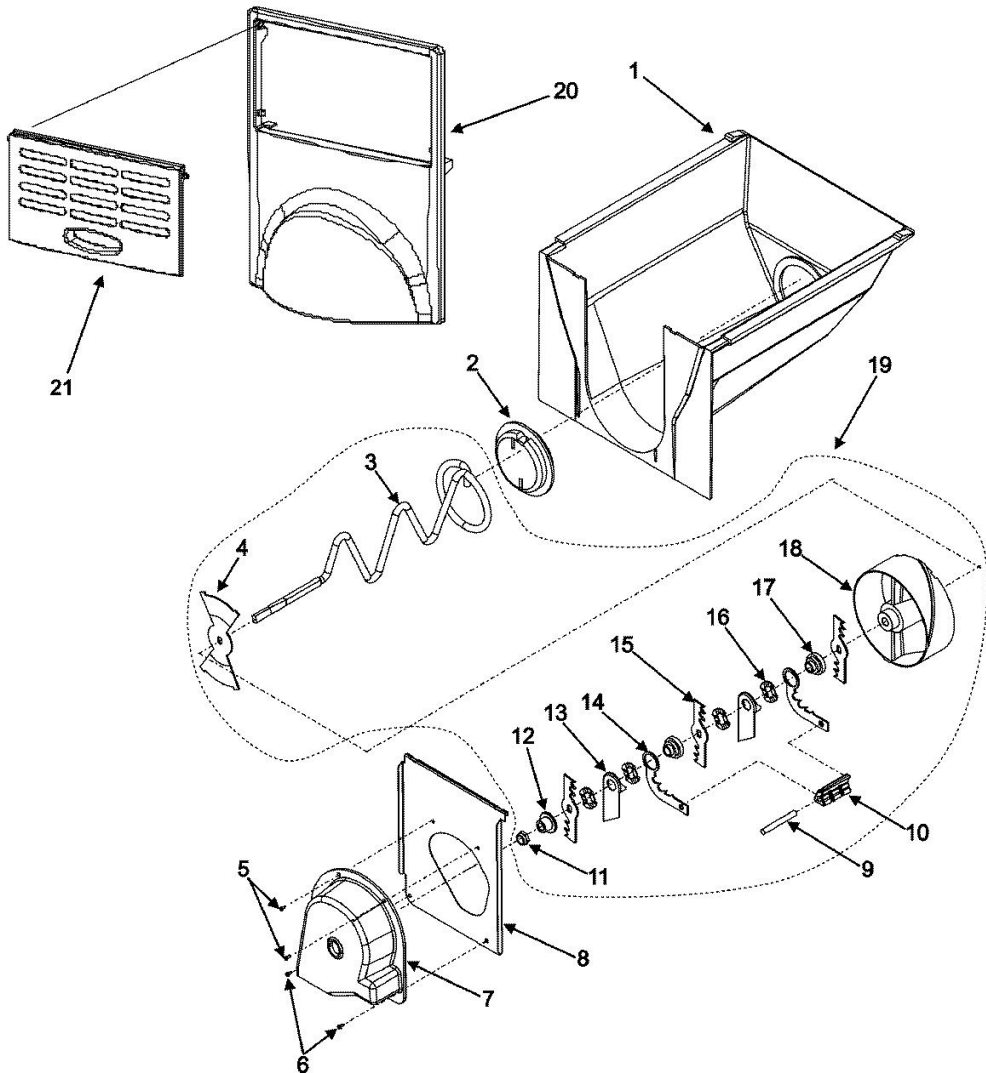




## Refrigerador Maytag MSD2655HEQ

Guía	N.P.	Serie	Descripción
1	8281196	Series 50	SCREW-MACH
2	67003976	Series 50	COVER, TOP HINGE (LT-BSQ)
3	WP489349	Series 50	SCREW, TF
4	W11214483	Series 50	SCREW, MACH
5	67006489	Series 50	HINGE, TOP (LT-BLK)
6	12587703C	Series 50	COVER, CORNER (BSQ)
7	67004026	Series 50	COVER, TOP HINGE (RT-BSQ)
8	2300868	Series 50	UNION, TUBE (5/16``-5/16``)
9	W10850512	Series 50	HINGE, TOP (RT-BLK)
10	12636901ED	Series 50	HINGE, BOTTOM (LT-BLK)
11	67006491	Series 50	SCREW, BOTTOM HINGE
12	M0220431	Series 50	SCREW, TC
13	R0181181	Series 50	CLOSURE, DOOR (BLK)
14	67005716	Series 50	SHIM, DR CLOSURE (BLK)
15	12636902ED	Series 50	HINGE, BOTTOM (RT-BLK)
16	12630301C	Series 50	COVER, LWR HINGE (BSQ)
17	12627302	Series 50	CLIP, TOE GRILLE
17	67002390	Series 50	TOE GRILLE ASSY (BSQ)

Refrigerador Maytag MSD2655HEQ

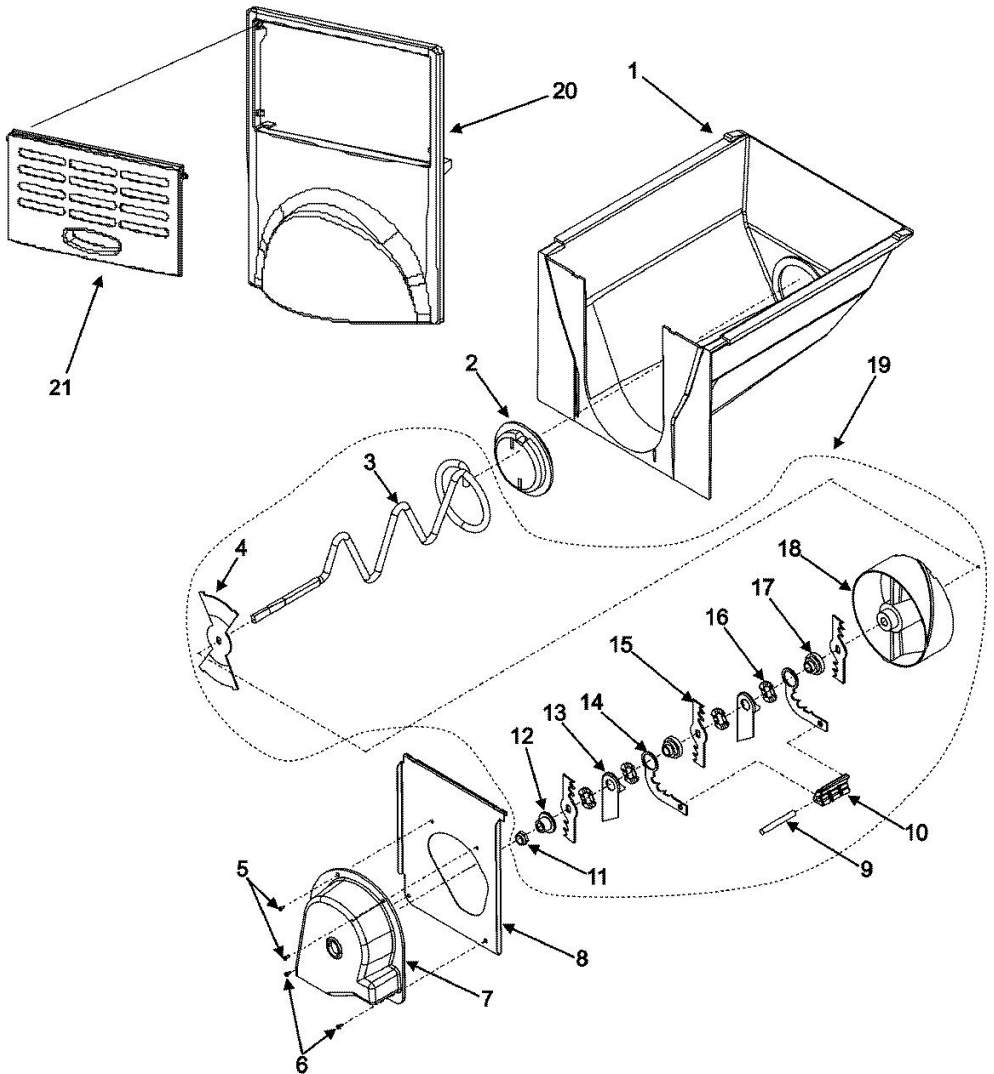




## Refrigerador Maytag MSD2655HEQ

Guía	N.P.	Serie	Descripción
1	12517801	Series 10	BUCKET, ICE CRUSH
2	D7749401	Series 10	CAP, HELIX END
3	10114401	Series 10	AGITATOR, ICE
4	10113801	Series 10	BAR, CRSH ICE BUCKET
5	59001208	Series 10	SCREW, HEX HEAD
6	67006425	Series 10	SCREW, SM
7	67002271	Series 10	COVER, BLADE
8	10115001	Series 10	FRONT, ICE CRUSHER
9	M1200108	Series 10	PIN, ROLL
10	10114101	Series 10	ANCHOR, BLADE
11	M0223101	Series 10	NUT, LOCKING
12	10113901	Series 10	SPACER, COVER
13	10275201	Series 10	DAMPER, ICE
14	10114601	Series 10	BLADE, STATIC
15	10114501	Series 10	BLADE, ROTATING
16	10275101	Series 10	WASHER, WAVED
17	10114301	Series 10	WASHER STEPPED
18	67002052	Series 10	WHEEL, CRSH ICE
19	12740302	Series 10	CRUSHED ICE AGITATOR ASSY
20	67004255	Series 10	COVER, ICE BUCKET
21	67004256	Series 10	DOOR, ICE BUCKET

# Refrigerador Maytag MSD2655HEQ

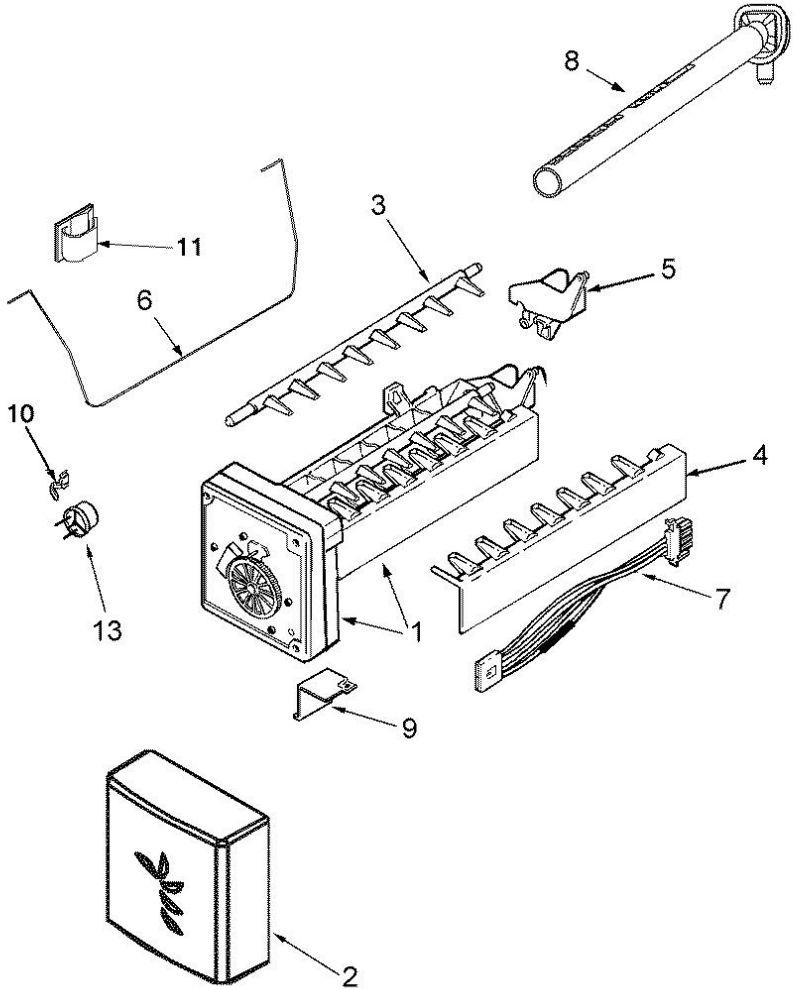




## Refrigerador Maytag MSD2655HEQ

Guía	N.P.	Serie	Descripción
1	67005959	Series 50	BUCKET, ICE CRUSH
2	D7749401	Series 50	CAP, HELIX END
3	10114401	Series 50	AGITATOR, ICE
4	10113801	Series 50	BAR, CRSH ICE BUCKET
5	59001208	Series 50	SCREW, HEX HEAD
6	67006425	Series 50	SCREW, SM
7	67002271	Series 50	COVER, BLADE
8	10115001	Series 50	FRONT, ICE CRUSHER
9	M1200108	Series 50	PIN, ROLL
10	10114101	Series 50	ANCHOR, BLADE
11	M0223101	Series 50	NUT, LOCKING
12	10113901	Series 50	SPACER, COVER
13	10275201	Series 50	DAMPER, ICE
14	10114601	Series 50	BLADE, STATIC
15	10114501	Series 50	BLADE, ROTATING
16	10275101	Series 50	WASHER, WAVED
17	10114301	Series 50	WASHER STEPPED
18	67002052	Series 50	WHEEL, CRSH ICE
19	12740302	Series 50	CRUSHED ICE AGITATOR ASSY
20	67004255	Series 50	COVER, ICE BUCKET
21	67004256	Series 50	DOOR, ICE BUCKET

Refrigerador Maytag MSD2655HEQ



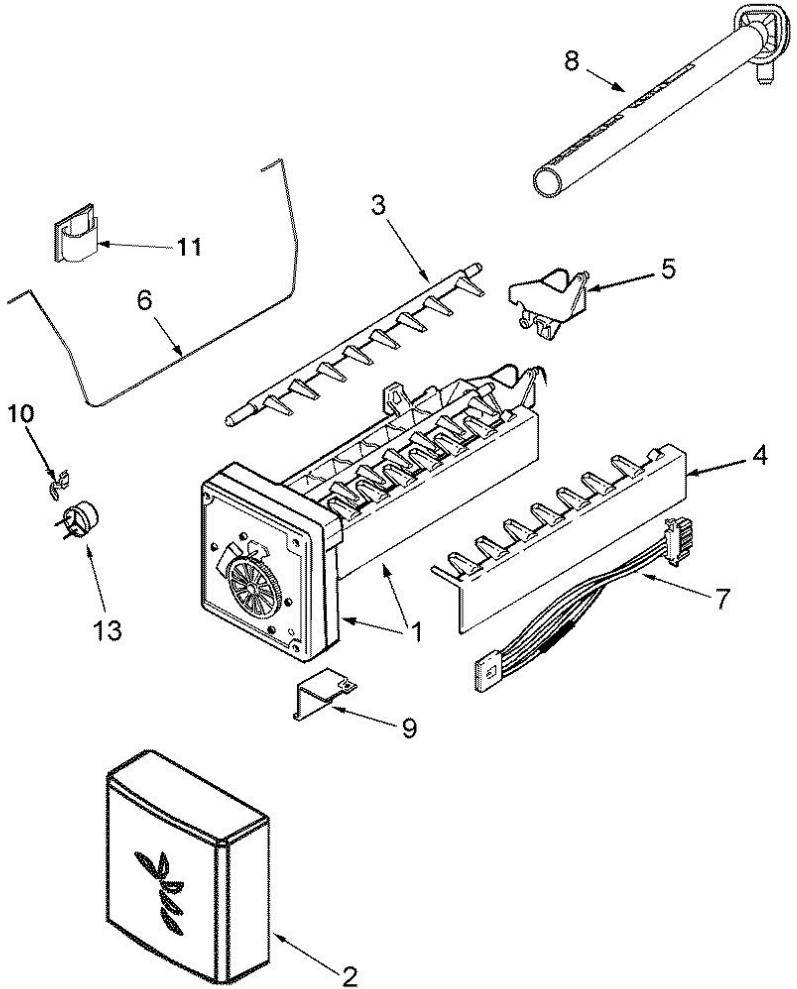


## Refrigerador Maytag MSD2655HEQ

Guía	N.P.	Serie	Descripción
1	D7824706Q	Series 10	ICE MAKER ASSY.
1	2256087	Series 10	BRKT, ICE MAKER
1	67006425	Series 10	SCREW, SM
2	W10289690	Series 10	COVER, ICE MAKER
3	627843	Series 10	EJECTOR, ICE
4	2182124	Series 10	STRIPPER, ICE
5	628356	Series 10	INLET, WATER
6	W10152975	Series 10	IM ARM/WIRE ASSY
7	W10146386	Series 10	HARNESS, ICE MAKER
8	67003576	Series 10	ELBOW, FILL TUBE
9	2256087	Series 10	BRACKET, MODULE & HEATER
9	489128	Series 10	SCREW, BRACKET
10	2315522	Series 10	RETAINER, THERMOSTAT
11	M0104106	Series 10	CLIP
12	627985	Series 10	THERMOSTAT
12	95093-1	Series 10	CEMENT, ALUMILASTIC (4 OZ.)
13	W11033771	Series 10	COUPLING
14	R0131235	Series 10	ICE MAKER HOOK UP KIT



Refrigerador Maytag MSD2655HEQ

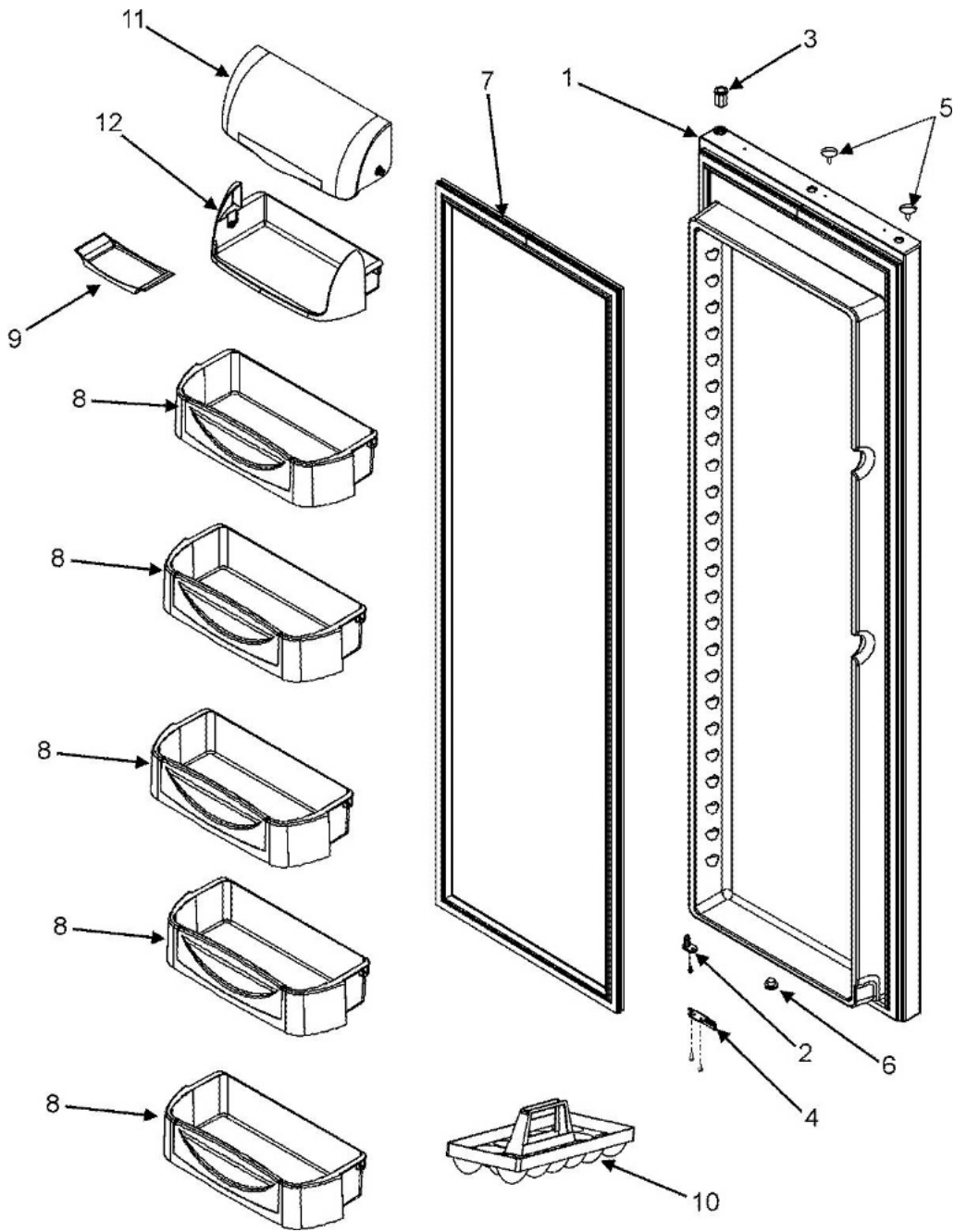




## Refrigerador Maytag MSD2655HEQ

Guía	N.P.	Serie	Descripción
1	D7824706Q	Series 50	ICE MAKER ASSY.
1	2256087	Series 50	BRKT, ICE MAKER
1	67006425	Series 50	SCREW, SM
2	W10289690	Series 50	COVER, ICE MAKER
3	627843	Series 50	EJECTOR, ICE
4	2182124	Series 50	STRIPPER, ICE
5	628356	Series 50	INLET, WATER
6	W10152975	Series 50	IM ARM/WIRE ASSY
7	W10146386	Series 50	HARNESS, ICE MAKER
8	67003576	Series 50	ELBOW, FILL TUBE
9	2256087	Series 50	BRACKET, MODULE & HEATER
9	489128	Series 50	SCREW, BRACKET
10	2315522	Series 50	RETAINER, THERMOSTAT
11	M0104106	Series 50	CLIP
12	627985	Series 50	THERMOSTAT
12	95093-1	Series 50	CEMENT, ALUMILASTIC (4 OZ.)
13	W11033771	Series 50	COUPLING
14	R0131235	Series 50	ICE MAKER HOOK UP KIT

Refrigerador Maytag MSD2655HEQ

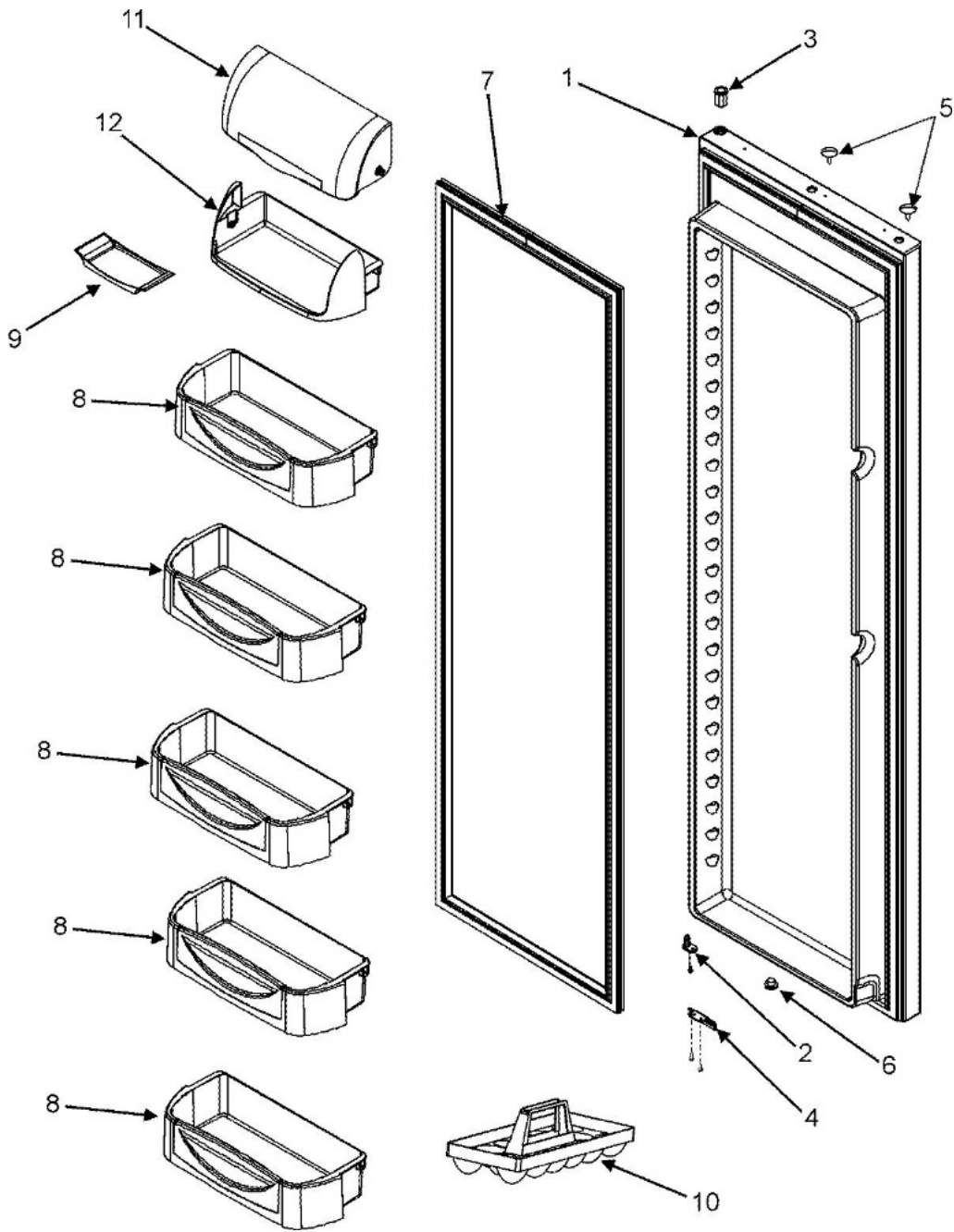




## Refrigerador Maytag MSD2655HEQ

Guía	N.P.	Serie	Descripción
1	67003809	Series 10	DOOR ASSY., REF. FOAM (BSQ)
2	R0181181	Series 10	CLOSURE, DOOR (BLK)
2	8281227	Series 10	SCREW, TC
3	10961005B	Series 10	BUSHING, DOOR (BLK)
4	12636401C	Series 10	STOP, DOOR (BSQ)
4	98165	Series 10	SCREW, SM
5	M0311606	Series 10	PLUG, BUTTON (BSQ)
6	A3080001	Series 10	PLUG, BUTTON (BLK)
7	67003966	Series 10	GASKET, REF. DOOR (WHT)
8	67004229	Series 10	BUCKET ASSY., REF. DOOR
9	67004412A	Series 10	TRAY, BUTTER
10	67004411	Series 10	TRAY, EGG
11	67001325	Series 10	DOOR, DAIRY
12	67002304	Series 10	TRAY, DAIRY

Refrigerador Maytag MSD2655HEQ

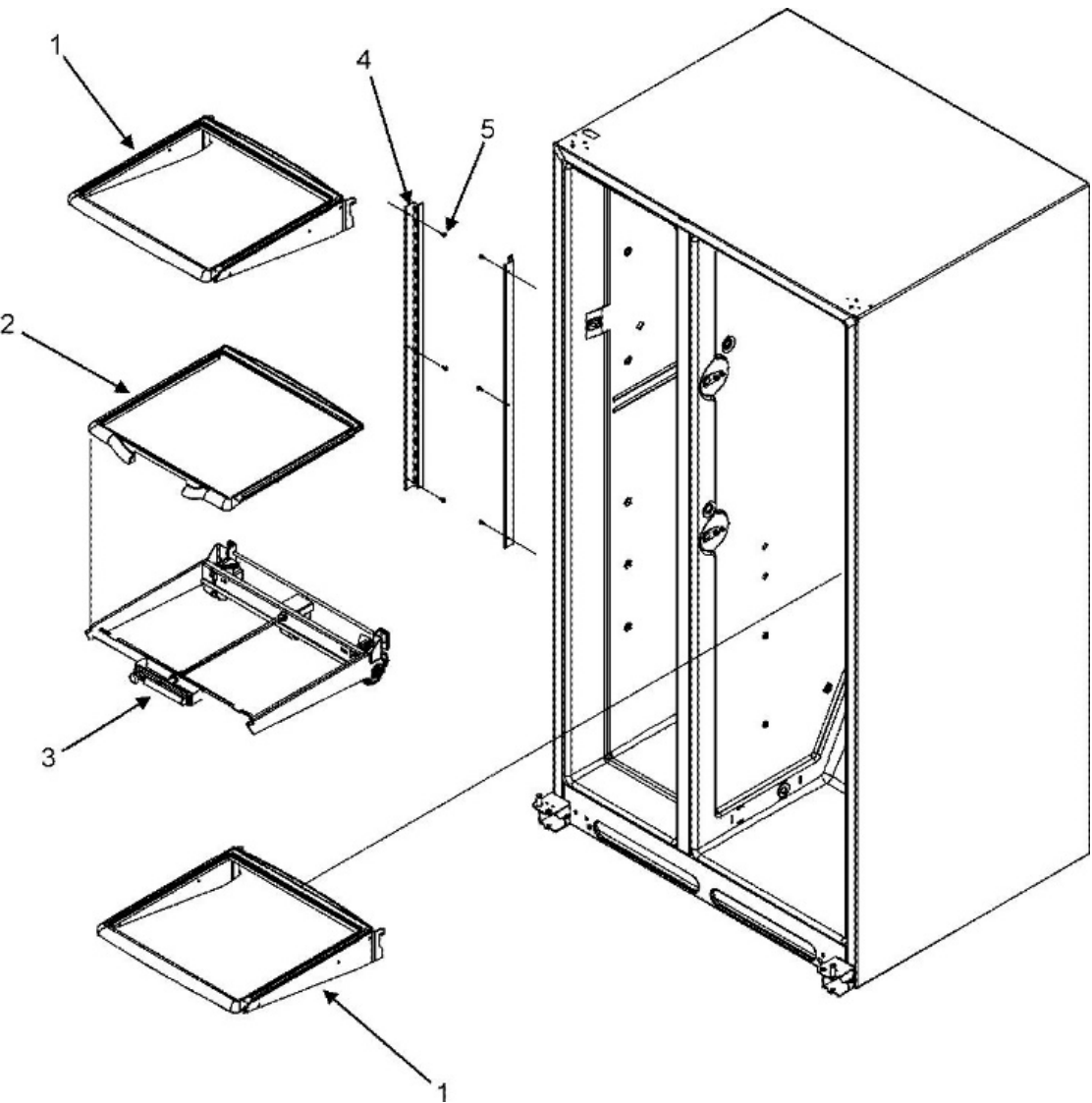




## Refrigerador Maytag MSD2655HEQ

Guía	N.P.	Serie	Descripción
1	67004908	Series 50	DOOR ASSY., REF. FOAM (BSQ)
2	R0181181	Series 50	CLOSURE, DOOR (BLK)
2	8281227	Series 50	SCREW, TC
3	10961005B	Series 50	BUSHING, DOOR (BLK)
4	12636401C	Series 50	STOP, DOOR (BSQ)
4	98165	Series 50	SCREW, SM
5	M0311606	Series 50	PLUG, BUTTON (BSQ)
6	A3080001	Series 50	PLUG, BUTTON (BLK)
7	67003966	Series 50	GASKET, REF. DOOR (WHT)
8	67004229	Series 50	BUCKET ASSY., REF. DOOR
9	67004412A	Series 50	TRAY, BUTTER
10	67004411	Series 50	TRAY, EGG
11	67001325	Series 50	DOOR, DAIRY
12	67002304	Series 50	TRAY, DAIRY

Refrigerador Maytag MSD2655HEQ



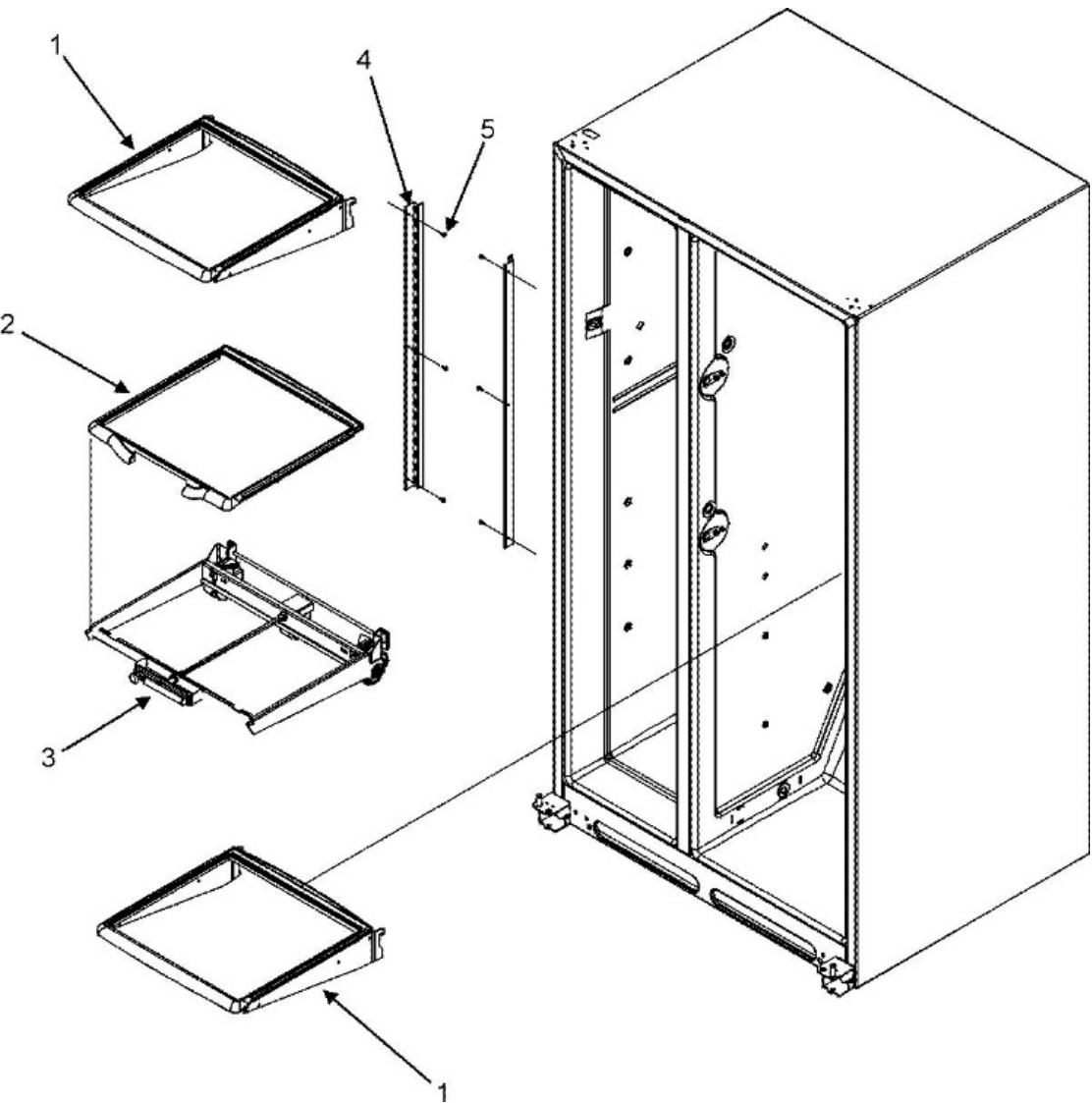


## Refrigerador Maytag MSD2655HEQ

Guía	N.P.	Serie	Descripción
1	67004242	Series 10	SHELF, GLIDE
2	67004243	Series 10	SHELF, ELEVATOR
3	67004604	Series 10	FRAME ASSY., ELEVATOR SHELF
4	67004245	Series 10	LADDER, SIDE
5	90767	Series 10	SCREW, SM



Refrigerador Maytag MSD2655HEQ





## Refrigerador Maytag MSD2655HEQ

Guía	N.P.	Serie	Descripción
1	67004242	Series 50	SHELF, GLIDE
2	67004243	Series 50	SHELF, ELEVATOR
3	67004604	Series 50	FRAME ASSY., ELEVATOR SHELF
4	67004245	Series 50	LADDER, SIDE
5	90767	Series 50	SCREW, SM