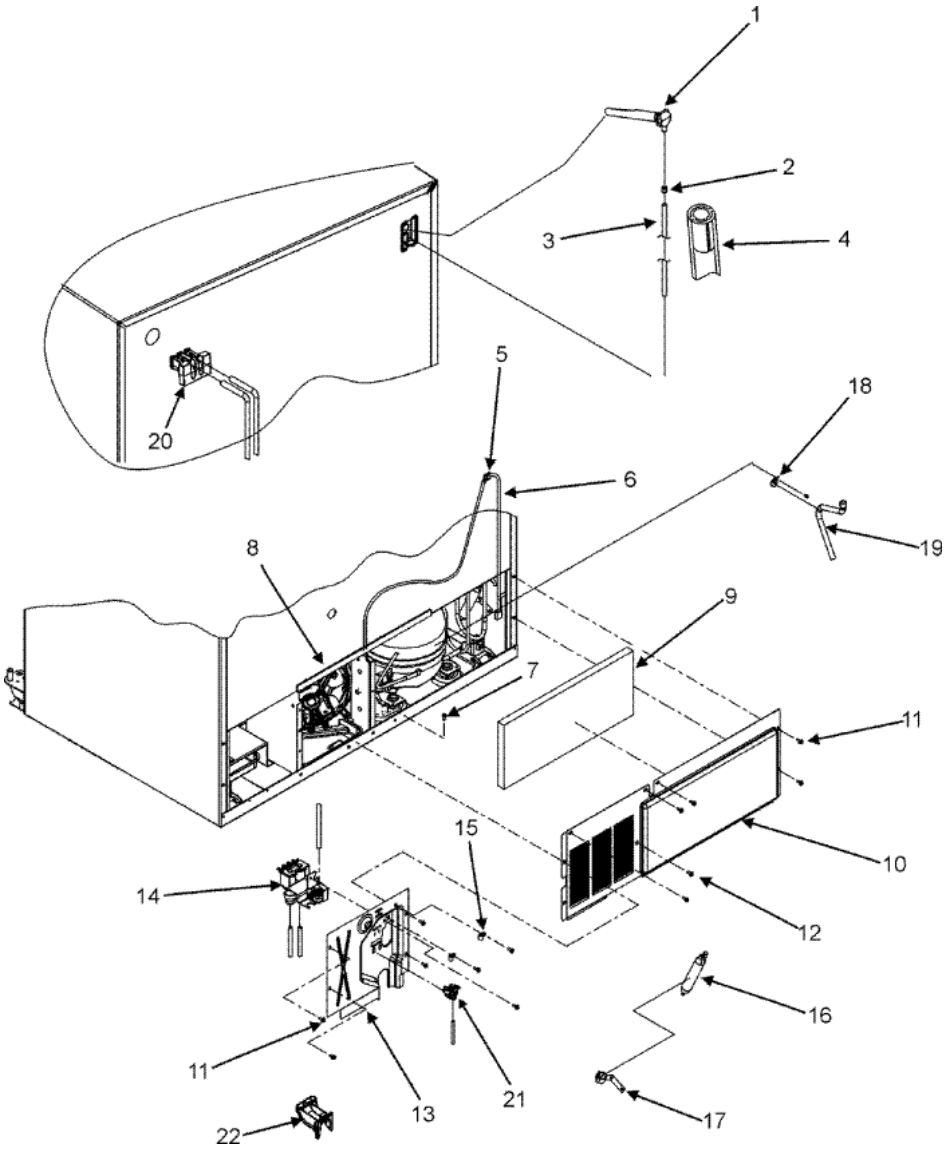


MSD2655HEW CABINET BACK (SERIES 10)

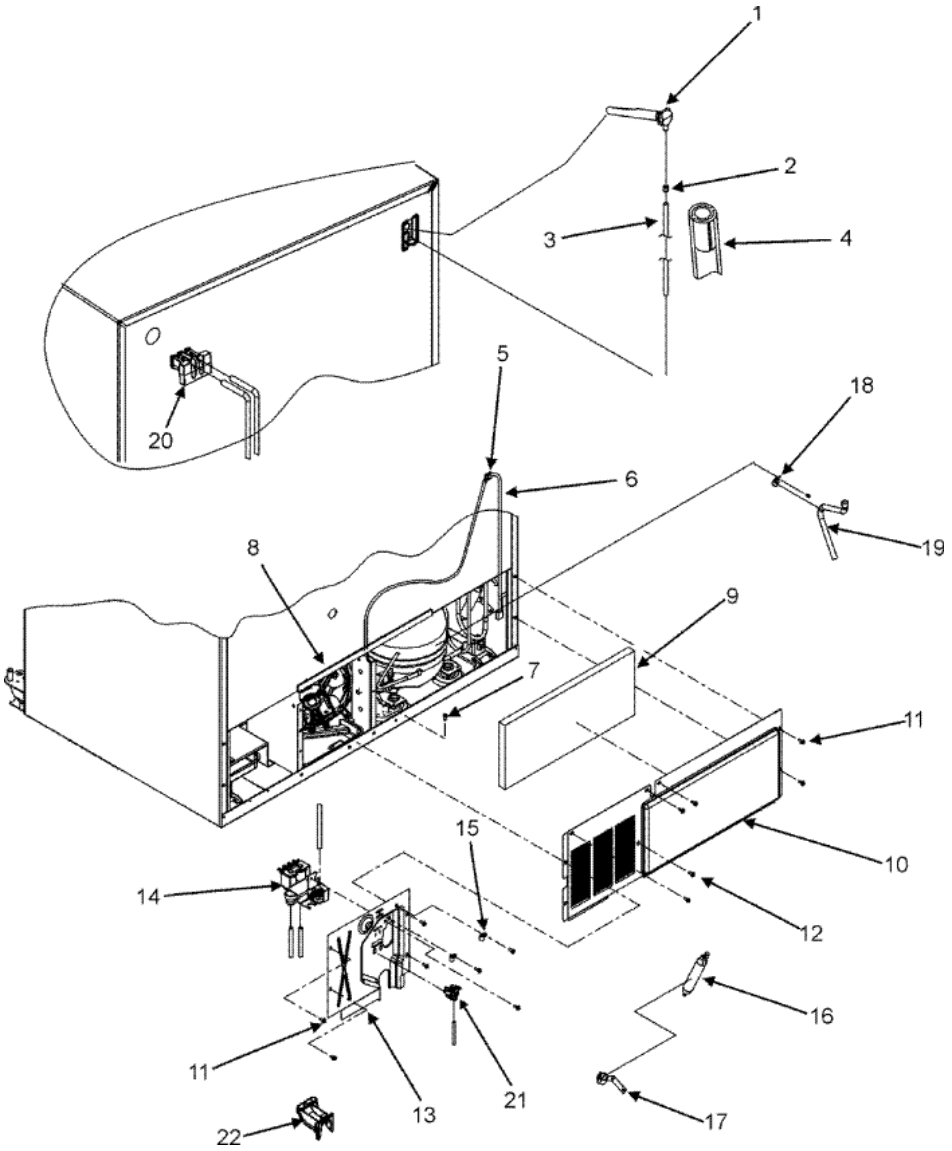




**MSD2655HEW CABINET BACK
(SERIES 10)**

1	67003576	ELBOW, FILL TUBE (S/P)
2	M0114003	CLIP, SPEED (S/P)
3	B5705307	TUBE, PLASTIC (S/P)
4	A3223101	INSERT, PLASTIC TUBE (S/P)
5	M0104106	CLIP (S/P)
6	67006506	CORD, POWER (S/P)
7	M0239216	SCREW, CA (S/P)
8	B5759649	GASKET, MC BACK (S/P)
9	67003796	FIBER, ACOUSTIC (S/P)
10	12575101ED	BACK, MACH COMP (S/P)
11	67006425	SCREW, SM (S/P)
12	M0251015	SCREW (S/P)
13	12751511	COVER, WATER VALVE (S/P)
14	67005154	VALVE, DUAL WATER (S/P)
14	M0251015	SCREW (S/P)
15	2221070	CLAMP, TUBE (S/P)
16	B2150504	DRIER (S/P)
17	67002999	SCREW, SM (S/P)
17	10547002	CLIP, DRIER (S/P)
18	M0102303	CLAMP (S/P)
18	M0220617	SCREW (S/P)
19	12580401	TUBE, DRAIN (S/P)
20	12777701	BLOCK, FILTER (S/P)
21	67004101	CLIP, WATERLINE (S/P)
22	67004101	SWEEP, DUAL TUBE (S/P)
23	67004102	TRACK, WATERLINE (S/P)

**MSD2655HEW CABINET BACK
 (SERIES 50)**





MSD2655HEW CABINET BACK (SERIES 50)

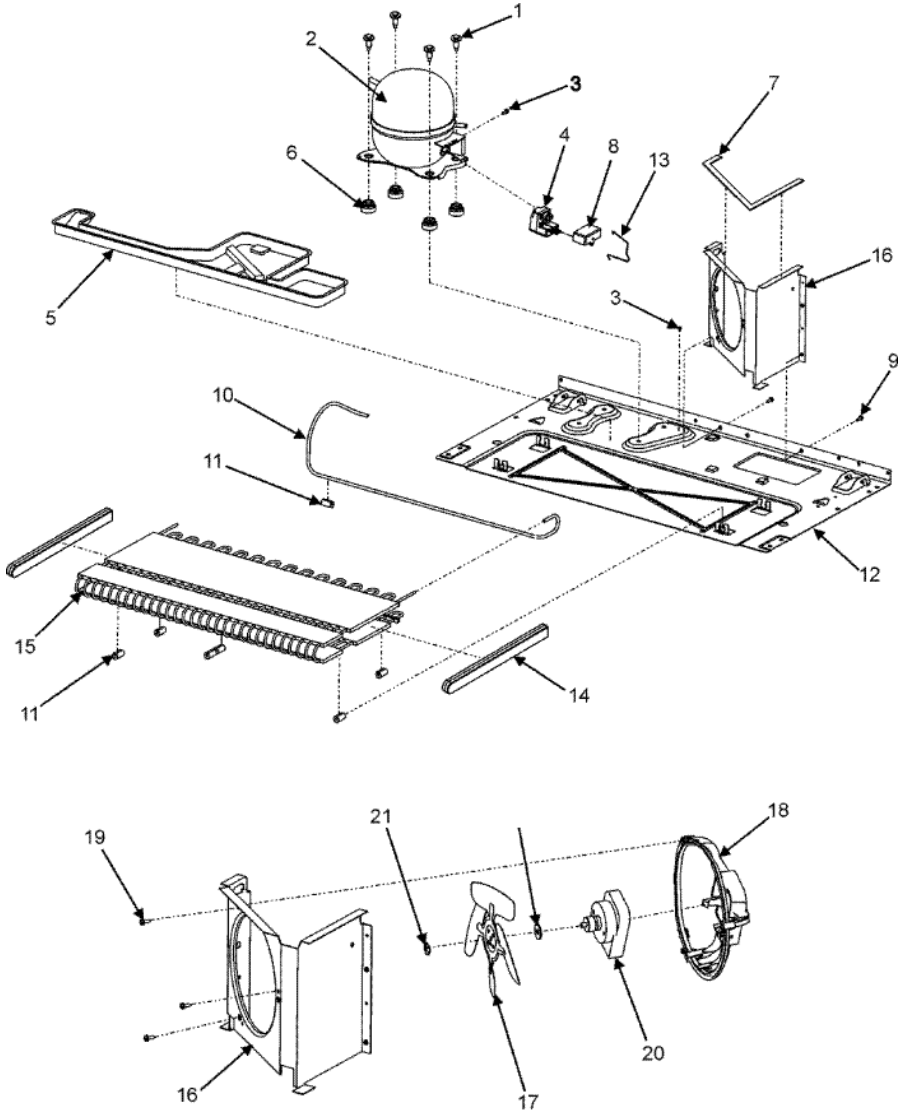
1	67003576	ELBOW, FILL TUBE (S/P)
2	M0114003	CLIP, SPEED (S/P)
3	B5705307	TUBE, PLASTIC (S/P)
4	A3223101	INSERT, PLASTIC TUBE (S/P)
5	M0104106	CLIP (S/P)
6	67006506	CORD, POWER (S/P)
7	M0239216	SCREW, CA (S/P)
8	B5759649	GASKET, MC BACK (S/P)
9	67003796	FIBER, ACOUSTIC (S/P)
10	12575101ED	BACK, MACH COMP (S/P)
11	67006425	SCREW, SM (S/P)
12	M0251015	SCREW (S/P)
13	12751511	COVER, WATER VALVE (S/P)
14	67005154	VALVE, DUAL WATER (S/P)
14	M0251015	SCREW (S/P)
15	2221070	CLAMP, TUBE (S/P)
16	B2150504	DRIER (S/P)
17	67002999	SCREW, SM (S/P)
17	10547002	CLIP, DRIER (S/P)
18	M0102303	CLAMP (S/P)
18	M0220617	SCREW (S/P)
19	12580401	TUBE, DRAIN (S/P)
20	12777701	BLOCK, FILTER (S/P)
21	67004101	CLIP, WATERLINE (S/P)
22	67004101	SWEEP, DUAL TUBE (S/P)
23	67004102	TRACK, WATERLINE (S/P)

Distribuidor Autorizado

SurteRápido.com

Venta de Refacciones
Electrodomesticas

MSD2655HEW COMPRESSOR (SERIES 10)

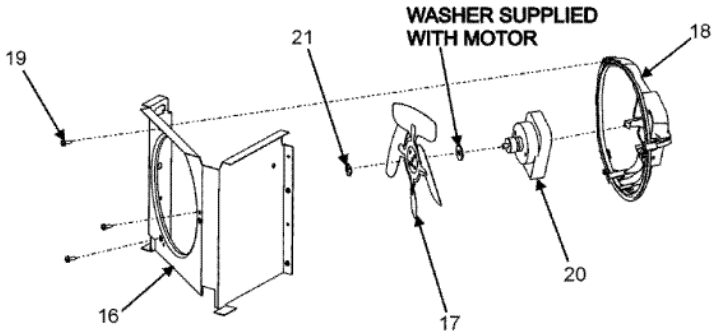
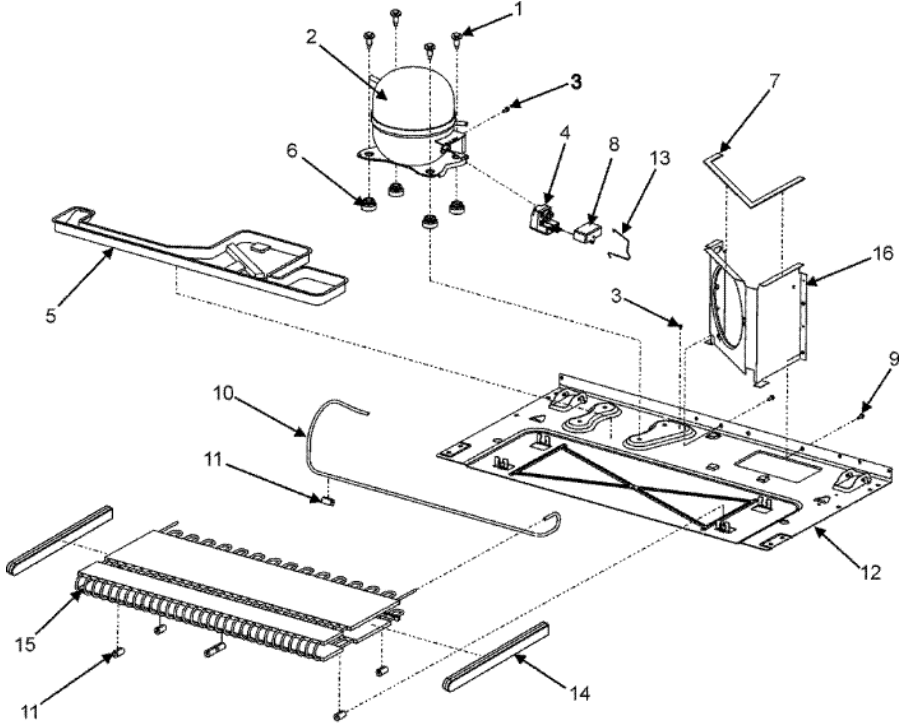




**MSD2655HEW COMPRESSOR
(SERIES 10)**

1	M0221523	SCREW, SHLDR (S/P)
2	67002782	COMPRESSOR, TPG1380YXA (SXS) (S/P)
3	67006433	SCREW, TF (S/P)
4	67005560	OVERLOAD/RELAY W/CAPACITOR (S/P)
5	12579803	PAN, DRAIN (S/P)
6	67003493	GROMMET, COMPRESSOR (S/P)
7	61003832	SEAL (S/P)
8	C8931612	CAPACITOR
9	M0238616	SCREW, SM (S/P)
10	67002236	TUBE, DISCHARGE DESCONTINUADO
11	67005680	GROMMET, CONDENSER (S/P)
12	12457108	PAN, BASE (S/P)
13	12576801	STRAP, BALE (S/P)
14	67002235	BLOCK-EPS COND (S/P)
15	67006131	CONDENSER (S/P)
16	67001090	SHROUD, CONDENSER FAN DESCONTINUADO
17	12587601	BLADE, COND FAN (S/P)
18	12002738	BRKT, ECM COND MOTOR (S/P)
19	M0223816	SCREW, TR (S/P)
20	12002738	MOTOR, CONDENSER FAN (ECM) (S/P)
21	486692	NUT, ECM MOTOR (S/P)
22	67004097	HARNESS, MC (S/P)

MSD2655HEW COMPRESSOR (SERIES 50)





**MSD2655HEW COMPRESSOR
(SERIES 50)**

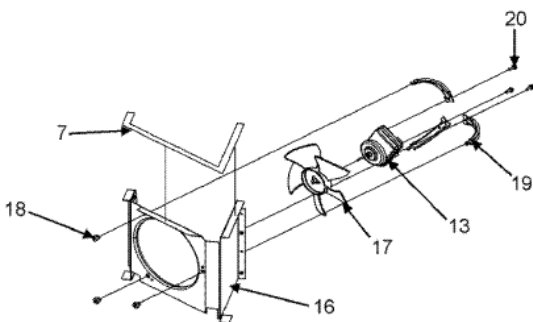
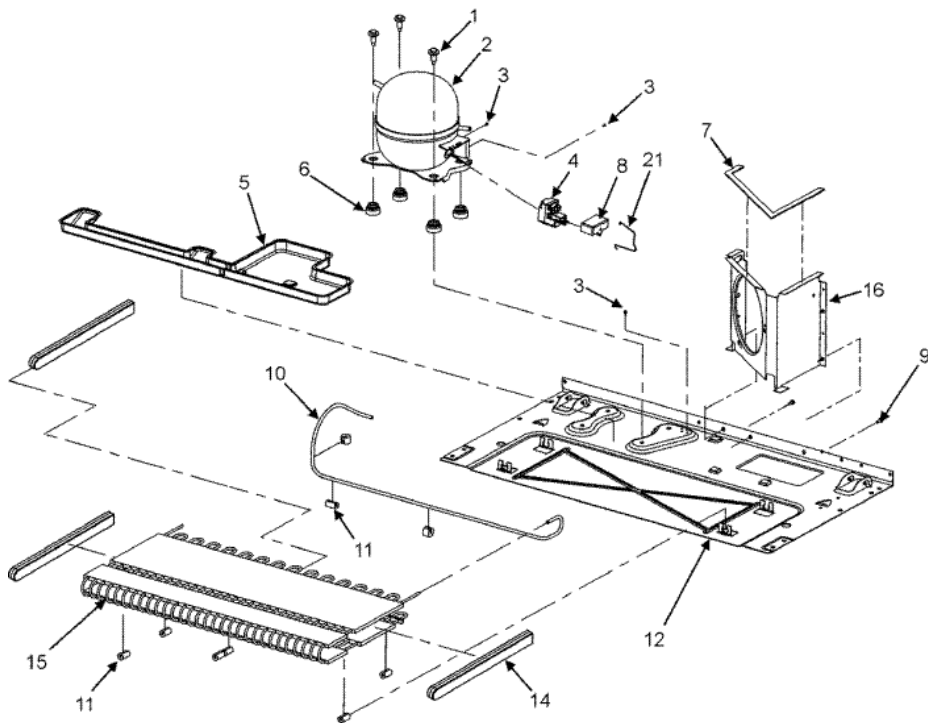
1	M0221523	SCREW, SHLDR (S/P)
2	67002782	COMPRESSOR, TPG1380YXA (SXS) (S/P)
3	67006433	SCREW, TF (S/P)
4	67005560	OVERLOAD/RELAY W/CAPACITOR (S/P)
5	67004848	PAN, DRAIN (S/P)
6	67003493	GROMMET, COMPRESSOR (S/P)
7	61003832	SEAL (S/P)
8	C8931612	CAPACITOR (S/P)
9	M0238616	SCREW, SM (S/P)
10	67004700	TUBE, DISCHARGE (S/P)
11	67005680	GROMMET, CONDENSER (S/P)
12	12457108	PAN, BASE (S/P)
13	12576801	STRAP, BALE (S/P)
14	67002235	BLOCK-EPS COND (S/P)
15	67004682	CONDENSER x (S/P)
16	67001090	SHROUD, CONDENSER FAN DESCONTINUADO
17	12587601	BLADE, COND FAN (S/P)
18	12002738	BRKT, ECM COND MOTOR (S/P)
19	M0223816	SCREW, TR (S/P)
20	12002738	MOTOR, CONDENSER FAN (ECM) (S/P)
21	486692	NUT, ECM MOTOR (S/P)
22	67004097	HARNESS, MC (S/P)

Distribuidor Autorizado

SurteRápido.com

Venta de Refacciones
Electrodomesticas

MSD2655HEW COMPRESSOR (SERIES 52)

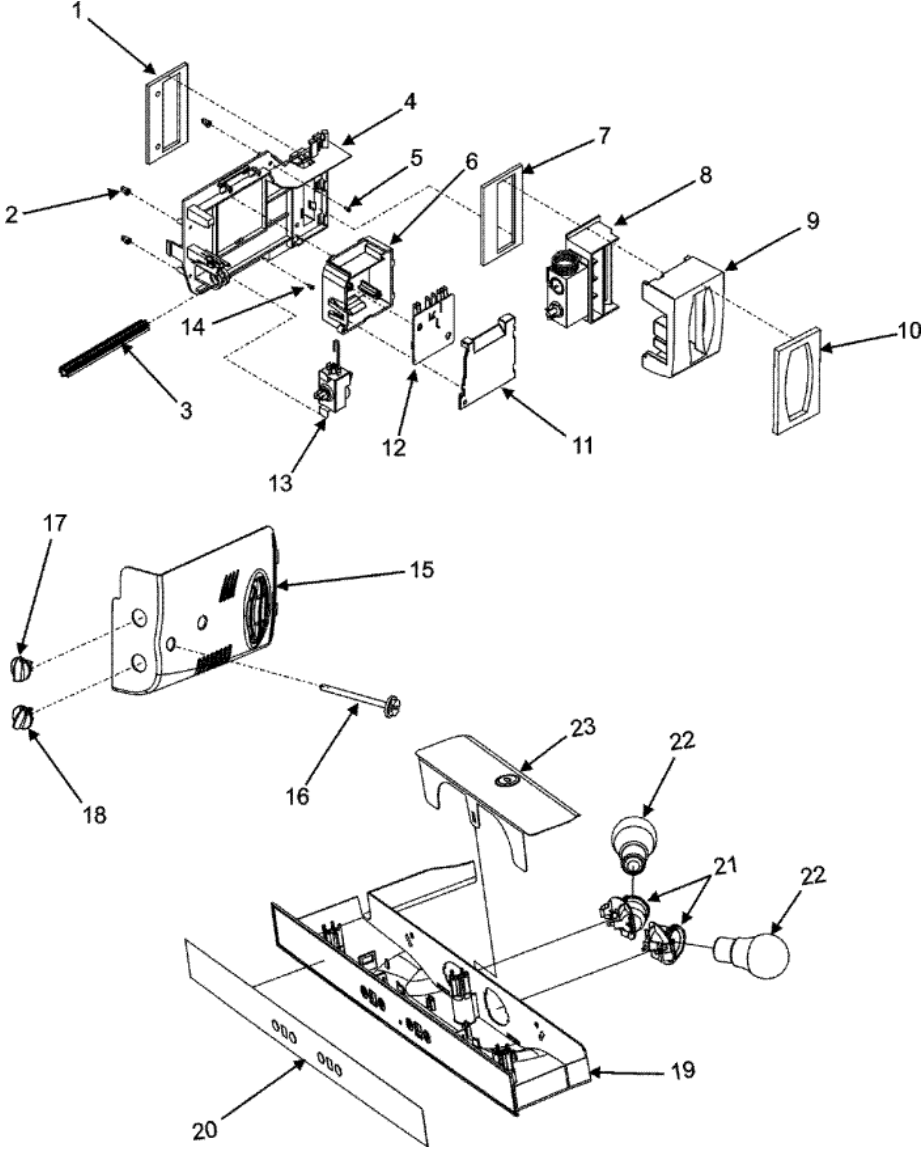




**MSD2655HEW COMPRESSOR
(SERIES 52)**

1	M0221523	SCREW, SHLDR (S/P)
2	67002782	COMPRESSOR, TPG1380YXA (SXS) (S/P)
3	67006433	SCREW, TF (S/P)
4	67005560	OVERLOAD/RELAY W/CAPACITOR (S/P)
5	67004848	PAN, DRAIN (S/P)
6	67003493	GROMMET, COMPRESSOR (S/P)
7	61003832	SEAL (S/P)
8	C8931612	CAPACITOR
9	M0238616	SCREW, SM (S/P)
10	67004700	TUBE, DISCHARGE (S/P)
11	67005680	GROMMET, CONDENSER (S/P)
12	12457108	PAN, BASE (S/P)
13	67004432	MOTOR, CONDENSER FAN (S/P)
14	67002235	BLOCK-EPS COND (S/P)
15	67004682	CONDENSER x (S/P)
16	67001090	SHROUD, CONDENSER FAN (S/P)
17	67004952	BLADE, COND FAN (S/P)
18	61004743	GROMMET, BRACKET (S/P)
19	67004953	BRACKET, COND MOTOR (S/P)
20	67004954	SCREW (S/P)
21	12576801	STRAP, BALE (S/P)
22	67004955	HARNESS, MC (S/P)

MSD2655HEW CONTROLS (SERIES 10)





MSD2655HEW CONTROLS (SERIES 10)

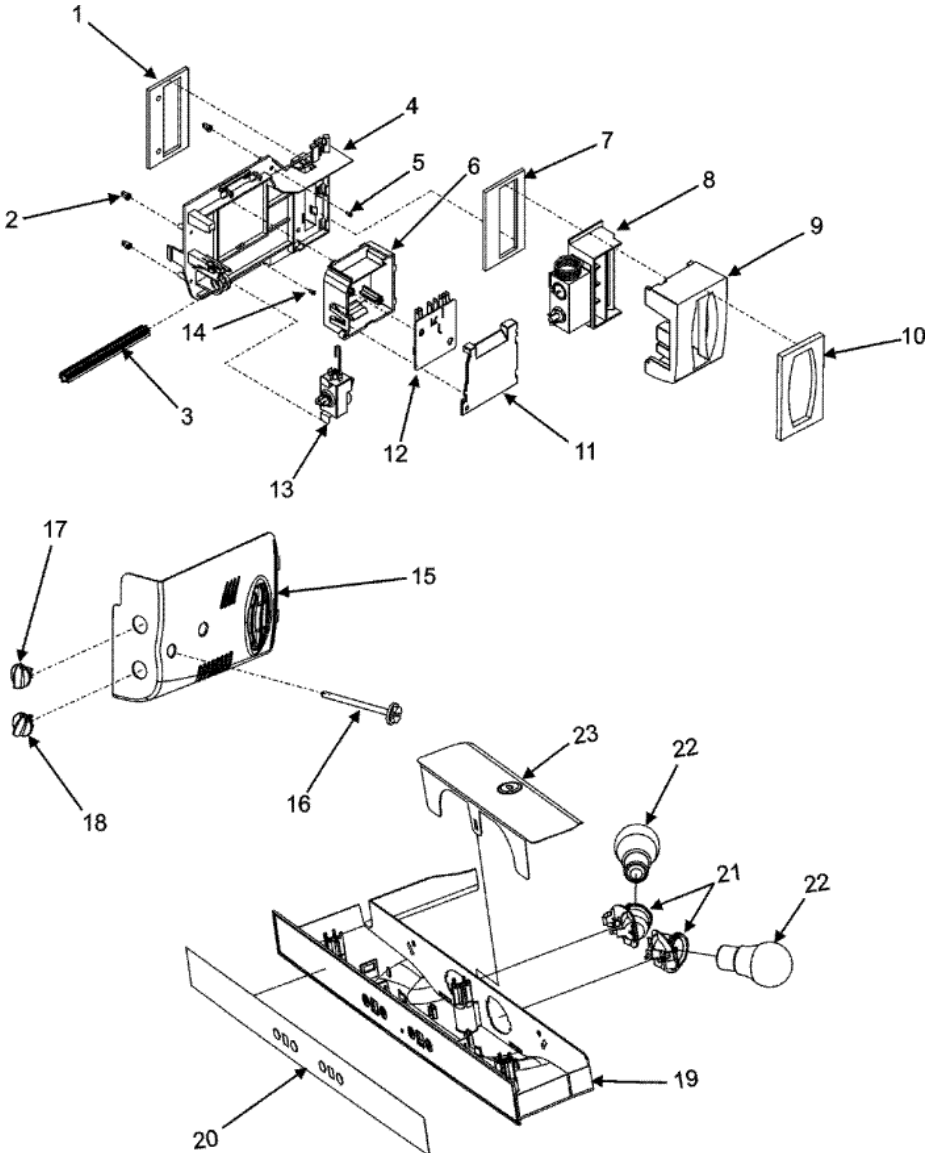
1	67004031	GASKET, DAMPER (S/P)
2	M0580205	GROMMET, SCREW (S/P)
3	12571801	EXTENSION, KNOB (S/P)
4	12750301	BRACKET, CONTROL (S/P)
5	M0216539	SCREW (S/P)
6	12624801	BOX, DEFROST CONTROL (S/P)
7	12582801	GASKET, DAMPER (S/P)
8	12571701	CONTROL, DAMPER (S/P)
9	12604201	INSULATION, DAMPER (S/P)
10	12582901	GASKET, CONTROL COVER (S/P)
11	12624901	COVER, DEFROST CONTROL (S/P)
12	12002495	BOARD, ADAPTIVE DEFROST (S/P)
13	67005335	CONTROL, FZ TEMP (S/P)
14	M0211018	SCREW, SM (S/P)
15	12571216	COVER, CONTROL (S/P)
16	M0231426	SCREW (S/P)
17	12581101	KNOB, CONTROL (S/P)
18	12581102	KNOB, CONTROL (S/P)
19	M0238636	SCREW-SM (S/P)
19	12889101	HOUSING, FZ CONTROL (S/P)
20	67004241	OVERLAY (S/P)
21	67002216	SOCKET, LIGHT (S/P)
22	67003883	BULB, LIGHT (S/P)
23	67004157	REFLECTOR, LIGHT (S/P)
24	67004239	HARNESS, CONTROL (S/P)

Distribuidor Autorizado

SurteRápido.com

Venta de Refacciones
Electrodomesticas

MSD2655HEW CONTROLS (SERIES 50)

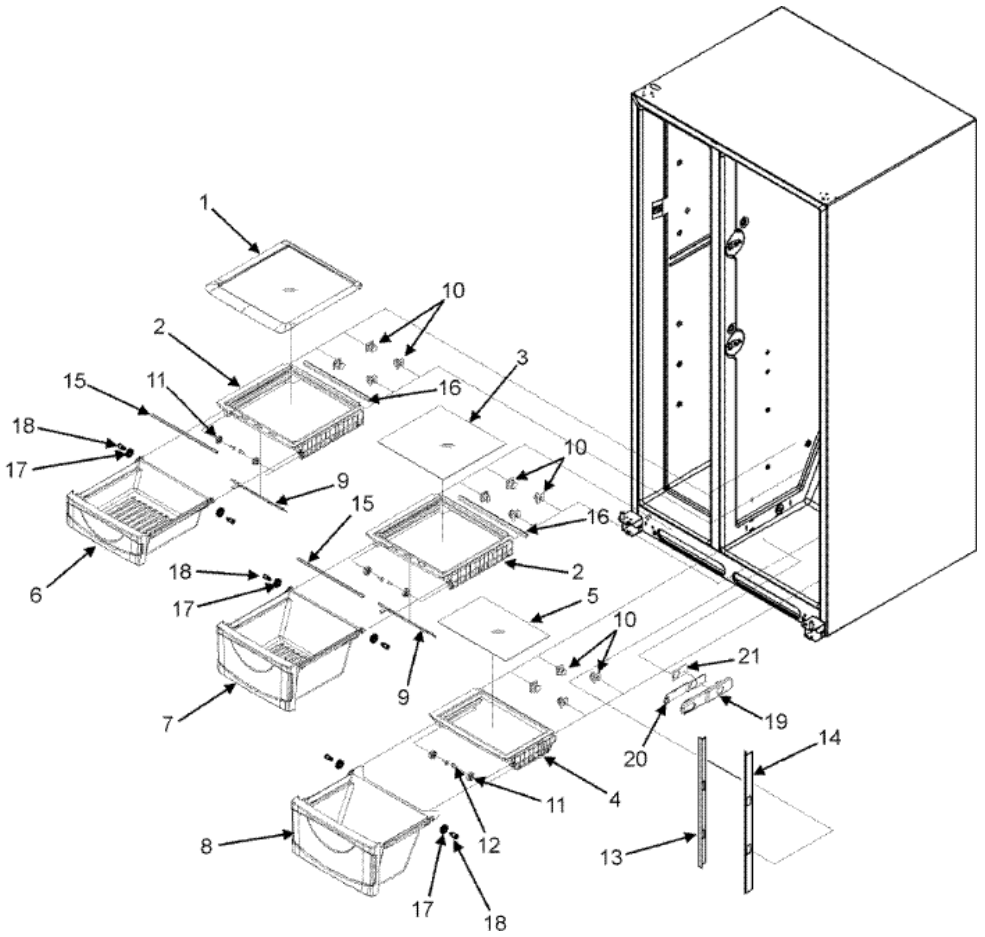




MSD2655HEW CONTROLS (SERIES 50)

1	67004031	GASKET, DAMPER (S/P)
2	M0580205	GROMMET, SCREW (S/P)
3	12571801	EXTENSION, KNOB (S/P)
4	12750301	BRACKET, CONTROL (S/P)
5	M0216539	SCREW (S/P)
6	12624801	BOX, DEFROST CONTROL (S/P)
7	12582801	GASKET, DAMPER (S/P)
8	12571701	CONTROL, DAMPER (S/P)
9	12604201	INSULATION, DAMPER (S/P)
10	12582901	GASKET, CONTROL COVER (S/P)
11	12624901	COVER, DEFROST CONTROL (S/P)
12	12002495	BOARD, ADAPTIVE DEFROST (S/P)
13	67005335	CONTROL, FZ TEMP (S/P)
14	M0211018	SCREW, SM (S/P)
15	12571216	COVER, CONTROL (S/P)
16	M0231426	SCREW (S/P)
17	12581101	KNOB, CONTROL (S/P)
18	12581102	KNOB, CONTROL (S/P)
19	12889101	HOUSING, FZ CONTROL (S/P)
19	M0238636	SCREW-SM (S/P)
20	67004241	OVERLAY (S/P)
21	67002216	SOCKET, LIGHT (S/P)
22	67003883	BULB, LIGHT (S/P)
23	67004157	REFLECTOR, LIGHT (S/P)
24	67004154	HARNESS, CONTROL (S/P)

**MSD2655HEW CRISPER ASSEMBLY
 (SERIES 10)**

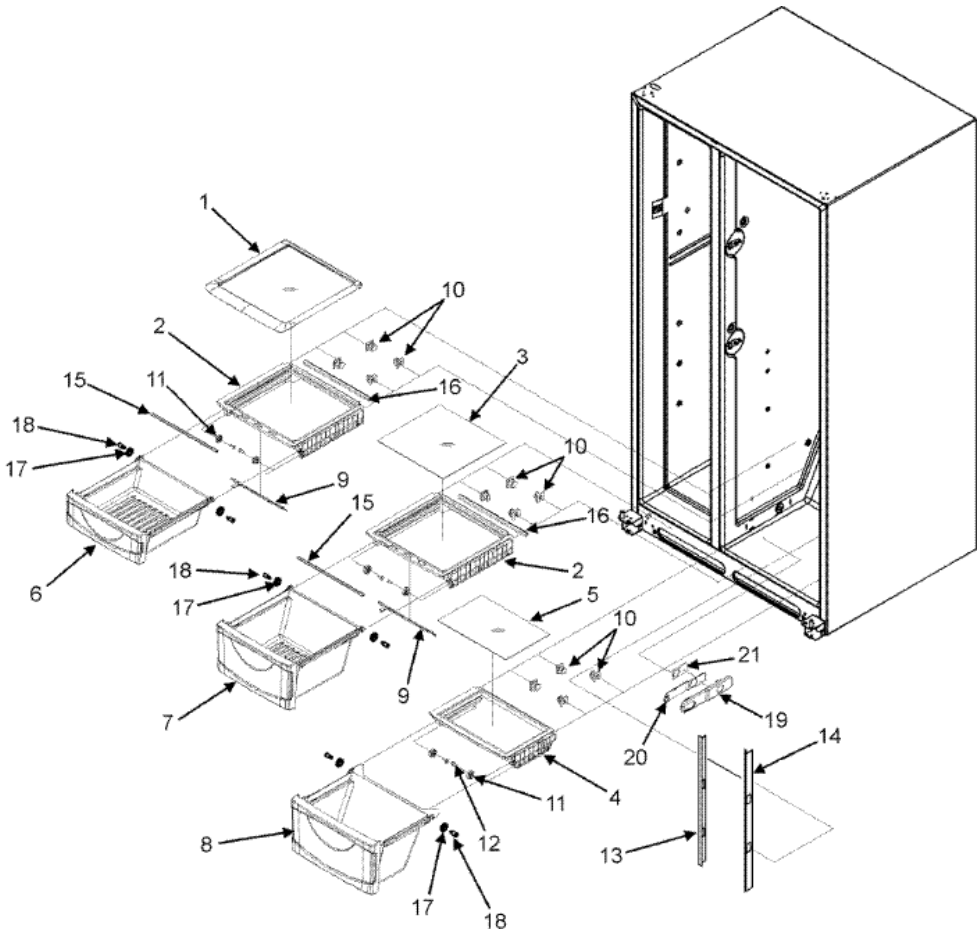




**MSD2655HEW CRISPER ASSEMBLY
(SERIES 10)**

1	67006880	SHELF, CRISPER TOP (S/P)
2	67004140	FRAME, CRISPER SHELF (S/P)
3	67004246	GLASS, CRISPER SHELF (S/P)
4	67004247	FRAME, MEAT SHELF (S/P)
5	67004132	GLASS, MEAT SHELF (S/P)
6	67004209	PAN ASSY., SM CRISPER (S/P)
7	67004210	PAN ASSY., LG CRISPER (S/P)
8	67004211	PAN ASSY., MEAT (S/P)
9	67004885	SLIDE, CONTROL (S/P)
10	12603701	SUPPORT, CRISPER FRAME (S/P)
11	67004169	ROLLER, CRISPER (S/P)
12	67006692	SCREW, SHOULDER (S/P)
13	67004170	PILLAR (LT) (S/P)
14	67004171	PILLAR (RT) (S/P)
15	67004889	SEAL, CRISPER FRAME (FRT) (S/P)
16	67004249	SEAL, CRISPER FRAME (REAR) (S/P)
17	67004133	ROLLER, PAN (S/P)
18	67004174	PIN, ROLLER (S/P)
19	67004175	HOUSING, TEMP. CONTROL (S/P)
20	67004176	SLIDE, TEMP. CONTROL (S/P)
21	67004177	GASKET, TEMP. CONTROL (S/P)

**MSD2655HEW CRISPER ASSEMBLY
 (SERIES 50)**

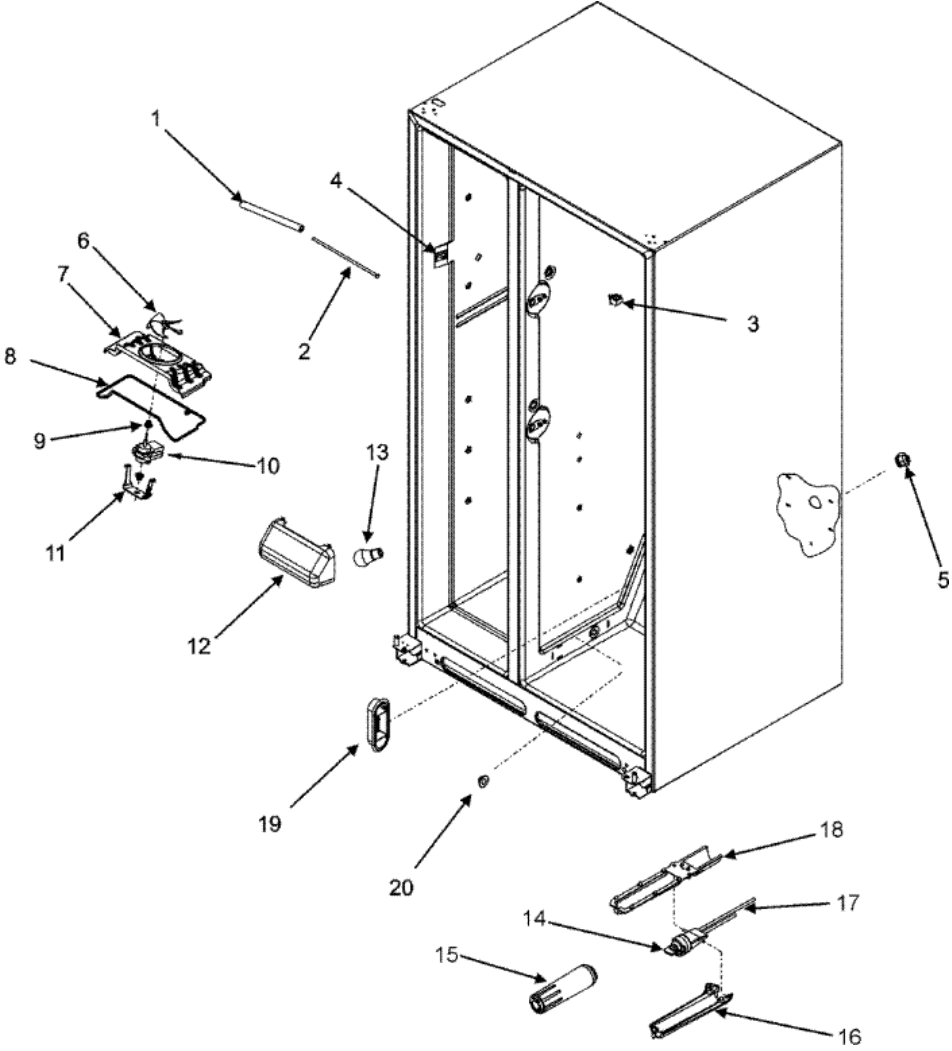




MSD2655HEW CRISPER ASSEMBLY (SERIES 50)

1	67006880	SHELF, CRISPER TOP (S/P)
2	67004140	FRAME, CRISPER SHELF (S/P)
3	67004246	GLASS, CRISPER SHELF (S/P)
4	67004247	FRAME, MEAT SHELF (S/P)
5	67004132	GLASS, MEAT SHELF (S/P)
6	67004209	PAN ASSY., SM CRISPER (S/P)
7	67004210	PAN ASSY., LG CRISPER (S/P)
8	67004211	PAN ASSY., MEAT (S/P)
9	67004885	SLIDE, CONTROL (S/P)
10	12603701	SUPPORT, CRISPER FRAME (S/P)
11	67004169	ROLLER, CRISPER (S/P)
12	67006692	SCREW, SHOULDER (S/P)
13	67004170	PILLAR (LT) (S/P)
14	67004171	PILLAR (RT) (S/P)
15	67004889	SEAL, CRISPER FRAME (FRT) (S/P)
16	67004249	SEAL, CRISPER FRAME (REAR) (S/P)
17	67004133	ROLLER, PAN (S/P)
18	67004174	PIN, ROLLER (S/P)
19	67004175	HOUSING, TEMP. CONTROL (S/P)
20	67004176	SLIDE, TEMP. CONTROL (S/P)
21	67004177	GASKET, TEMP. CONTROL (S/P)

MSD2655HEW EVAP FAN/CRISP LIGHT/FILTER (SER.10)

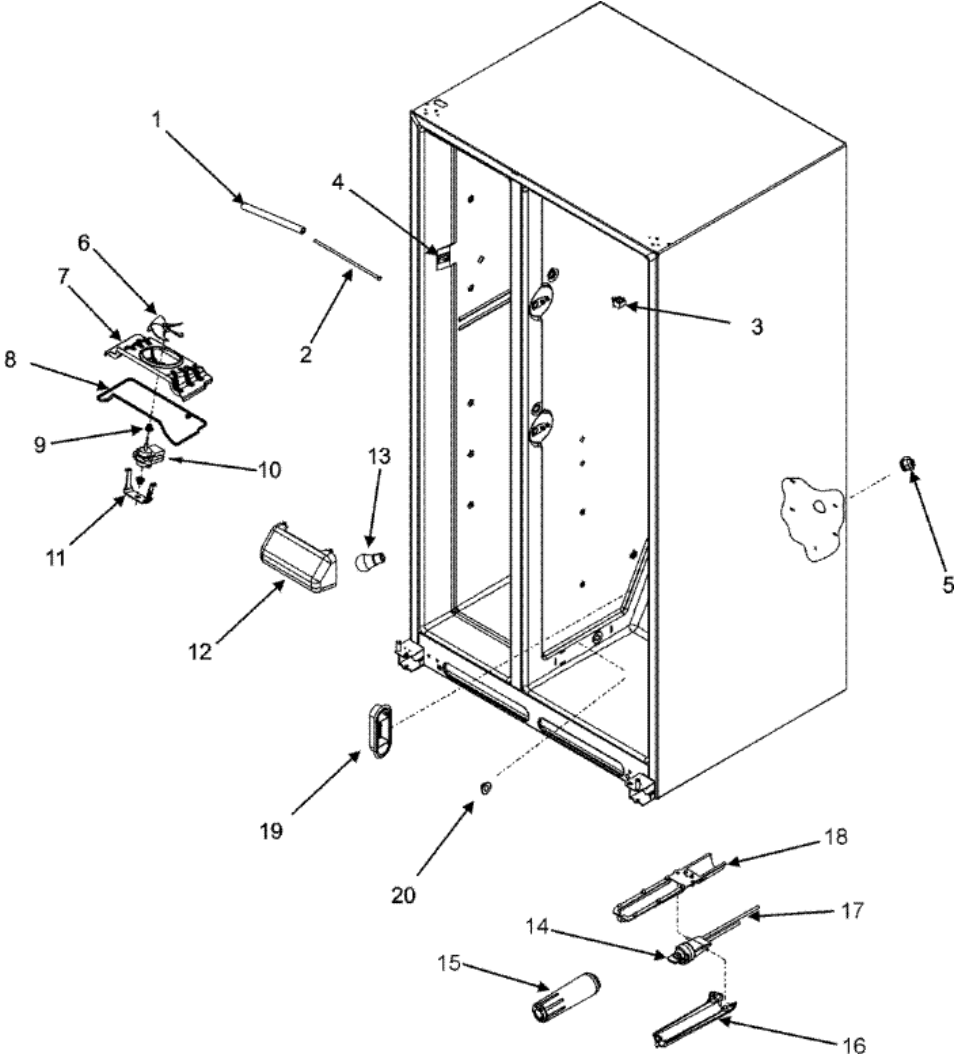




**MSD2655HEW EVAP FAN/CRISP
LIGHT/FILTER (SER.10)**

1	12847901	INSULATION, TUBING (S/P)
2	67004186	TUBE, PLASTIC (S/P)
3	12466104	SWITCH, REF LIGHT (S/P)
4	12002646	SWITCH, LIGHT (S/P)
5	67002216	SOCKET, LIGHT (S/P)
6	2169142	FAN, EVAPORATOR (S/P)
7	67004253	SHROUD, EVAP (S/P)
8	67001508	GASKET (S/P)
9	67002780	GROMMET, FAN MOTOR (S/P)
10	67003636	MOTOR, EVAP FAN (S/P)
11	67003083	CLIP (S/P)
12	67001507	SHIELD, CRISPER LIGHT (S/P)
13	67003883	BULB, LIGHT (S/P)
14	12664501	PLUG, BYPASS (S/P)
15	UKF8001AXX	FILTER, WATER SINGLE
16	12568001	COVER, FILTER (S/P)
17	67004106	HEAD, WATER FILTER (W/TUBING) (S/P)
18	12688503	PLATE, FILTER BACKING (S/P)
19	12634802	GRILLE, RETURN AIR (S/P)
20	67003018	PLUG, AIR TUNNEL (S/P)

**MSD2655HEW EVAP FAN/CRISP
 LIGHT/FILTER (SER.50)**

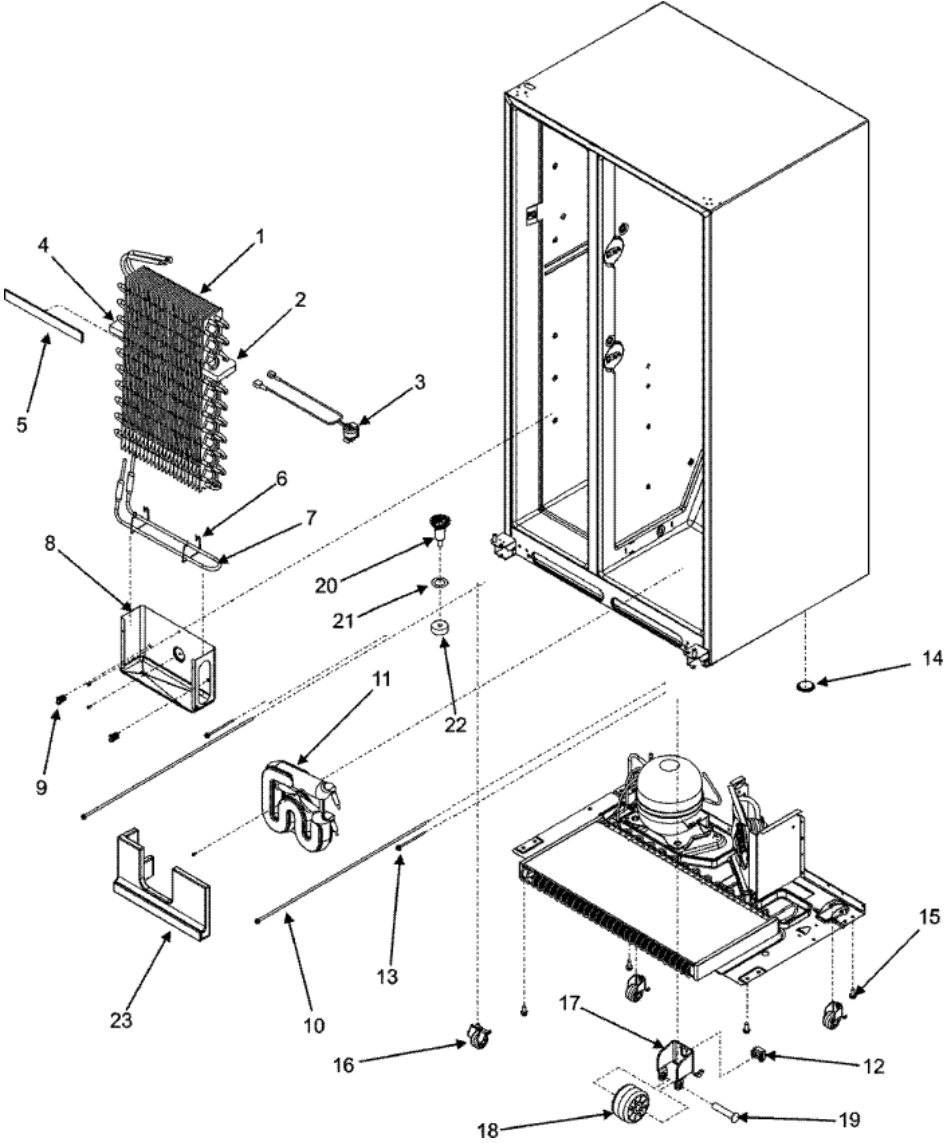




**MSD2655HEW EVAP FAN/CRISP
LIGHT/FILTER (SER.50)**

1	12847901	INSULATION, TUBING (S/P)
2	67004186	TUBE, PLASTIC (S/P)
3	12466104	SWITCH, REF LIGHT (S/P)
4	12002646	SWITCH, LIGHT (S/P)
5	67002216	SOCKET, LIGHT (S/P)
6	2169142	FAN, EVAPORATOR (S/P)
7	67004253	SHROUD, EVAP (S/P)
8	67001508	GASKET (S/P)
9	67002780	GROMMET, FAN MOTOR (S/P)
10	67003636	MOTOR, EVAP FAN (S/P)
11	67003083	CLIP (S/P)
12	67001507	SHIELD, CRISPER LIGHT (S/P)
13	67003883	BULB, LIGHT (S/P)
14	12664501	PLUG, BYPASS (S/P)
15	UKF8001AXX	FILTER, WATER SINGLE
16	12568001	COVER, FILTER (S/P)
17	67004106	HEAD, WATER FILTER (W/TUBING) (S/P)
18	12688503	PLATE, FILTER BACKING (S/P)
19	12634802	GRILLE, RETURN AIR (S/P)
20	67003018	PLUG, AIR TUNNEL (S/P)

**MSD2655HEW EVAPORATOR WATER
 TANK (SER.10)**

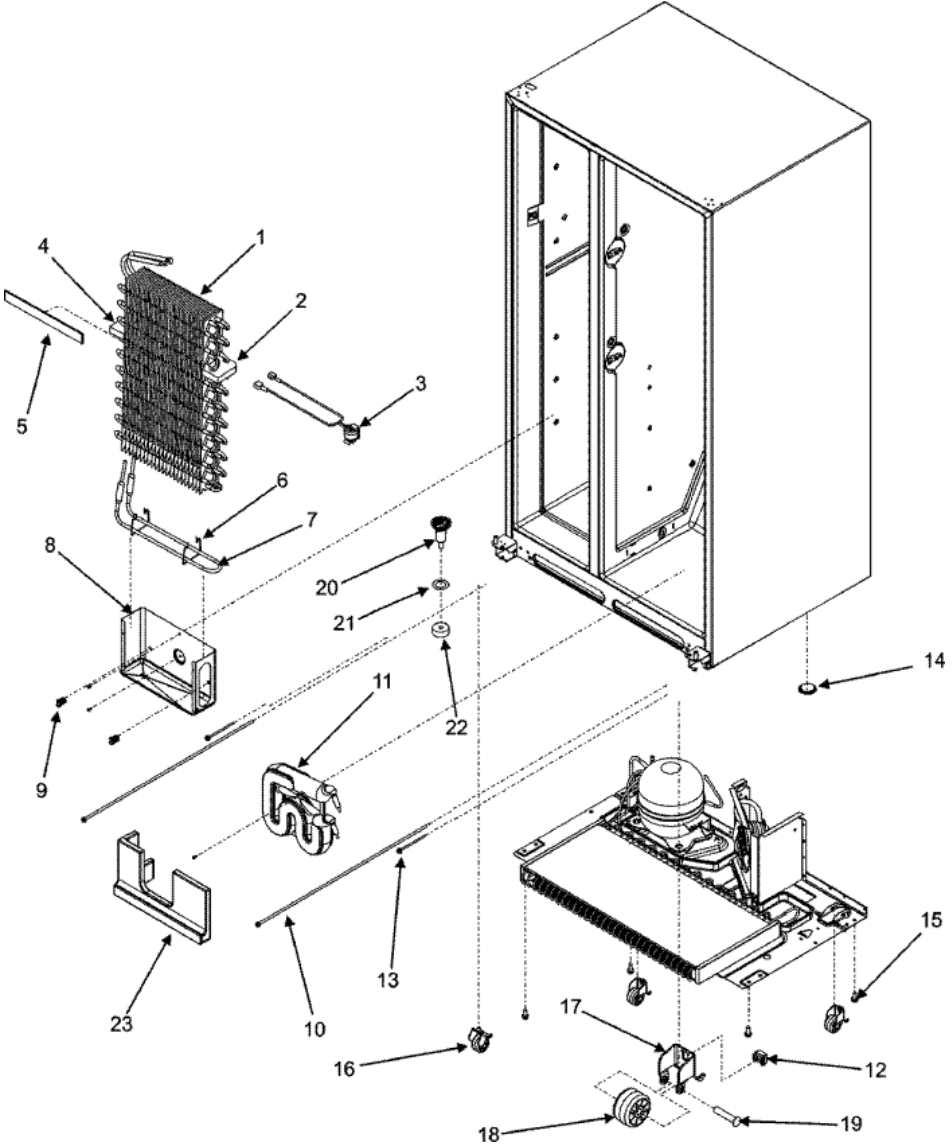




MSD2655HEW EVAPORATOR WATER TANK (SER.10)

1	12001940	EVAP KIT (SXS) (S/P)
2	12590102	BLOCK, AIR COIL (RT) (S/P)
3	67004757	THERMOSTAT, DEFROST (S/P)
4	12590101	BLOCK, AIR COIL (LT) (S/P)
5	67002226	GASKET, FOAM (S/P)
6	10428101	CLIP, EVAP HEATER (S/P)
7	67004188	HEATER, EVAP
8	M0224416	SCREW, SM (S/P)
8	12558101WD	TRAY, EVAP DRIP (S/P)
9	10623003	CLIP, EVAPORATOR (S/P)
10	10093313	SCREW, ADJUSTING (S/P)
11	M0211018	SCREW, SM (S/P)
11	67003504	TANK, WATER (S/P)
12	M0286708	NUT, SPEED (S/P)
13	67006611	BOLT, ROLLER ADJ (S/P)
14	A3076901	PLUG, BUTTON (S/P)
15	67001510	SCREW (S/P)
16	12580304	ROLLER BRACKET ASSY (S/P)
17	12456801	BRACKET, ROLLER (S/P)
18	67005127	ROLLER (S/P)
19	M1205302	RIVET (S/P)
20	12456901	FUNNEL, DRAIN (S/P)
21	M0500703	SEAL, O RING (S/P)
22	B8381501	GASKET, DRAIN TUBE (S/P)
23	12252102	BLOCK, WATER TANK (S/P)
24	67005940	HEATER/HARNES, FRZ (S/P)

**MSD2655HEW EVAPORATOR WATER
 TANK (SER.50)**

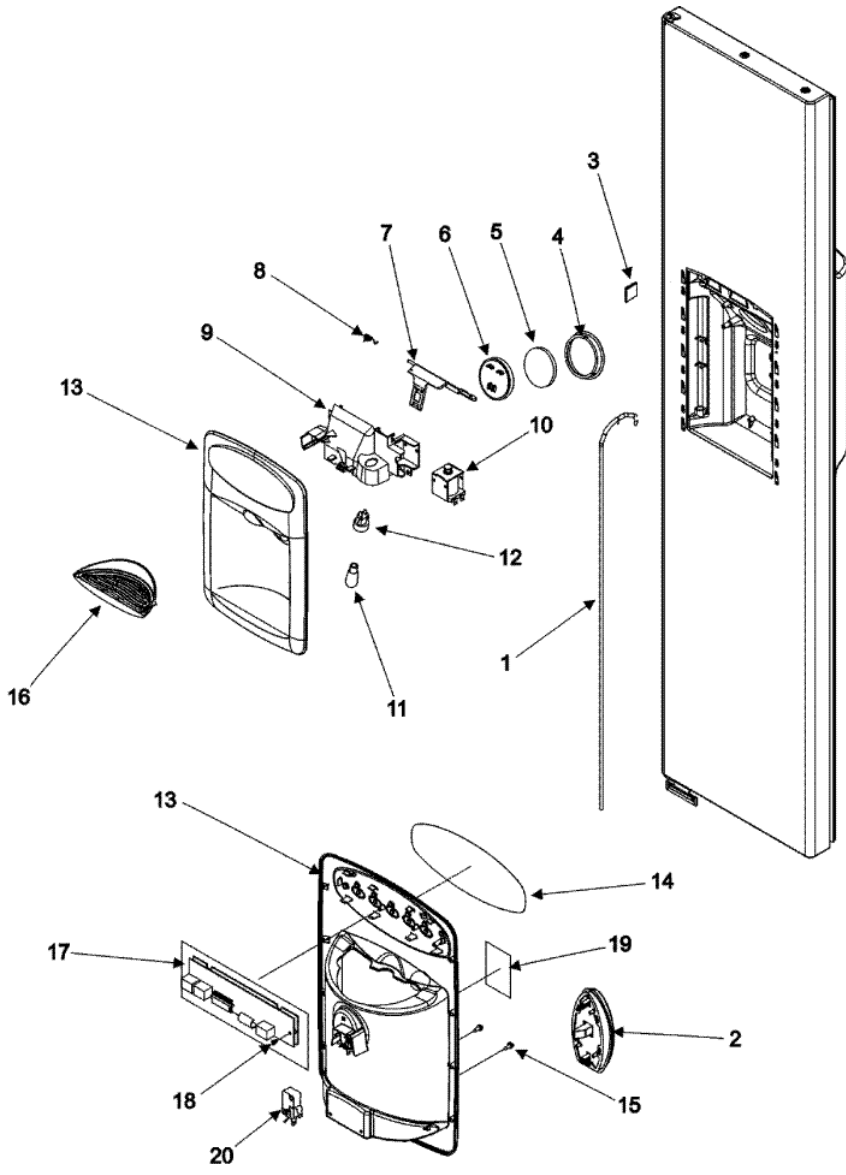




MSD2655HEW EVAPORATOR WATER TANK (SER.50)

1	12001940	EVAP KIT (SXS) (S/P)
2	12590102	BLOCK, AIR COIL (RT) (S/P)
3	67003964	THERMOSTAT, DEFROST (S/P)
4	12590101	BLOCK, AIR COIL (LT) (S/P)
5	67002226	GASKET, FOAM (S/P)
6	10428101	CLIP, EVAP HEATER (S/P)
7	67004188	HEATER, EVAP
8	M0224416	SCREW, SM (S/P)
8	12558101WD	TRAY, EVAP DRIP (S/P)
9	10623003	CLIP, EVAPORATOR (S/P)
10	10093313	SCREW, ADJUSTING (S/P)
11	67003504	TANK, WATER (S/P)
11	M0211018	SCREW, SM (S/P)
12	M0286708	NUT, SPEED (S/P)
13	67006611	BOLT, ROLLER ADJ (S/P)
14	A3076901	PLUG, BUTTON (S/P)
15	67001510	SCREW (S/P)
16	12580304	ROLLER BRACKET ASSY (S/P)
17	12456801	BRACKET, ROLLER (S/P)
18	67005127	ROLLER (S/P)
19	M1205302	RIVET (S/P)
20	12456901	FUNNEL, DRAIN (S/P)
21	M0500703	SEAL, O RING (S/P)
22	B8381501	GASKET, DRAIN TUBE (S/P)
23	12252102	BLOCK, WATER TANK (S/P)
24	67005940	HEATER/HARNES, FRZ (S/P)

MSD2655HEW FOUNTAIN (SERIES 10)

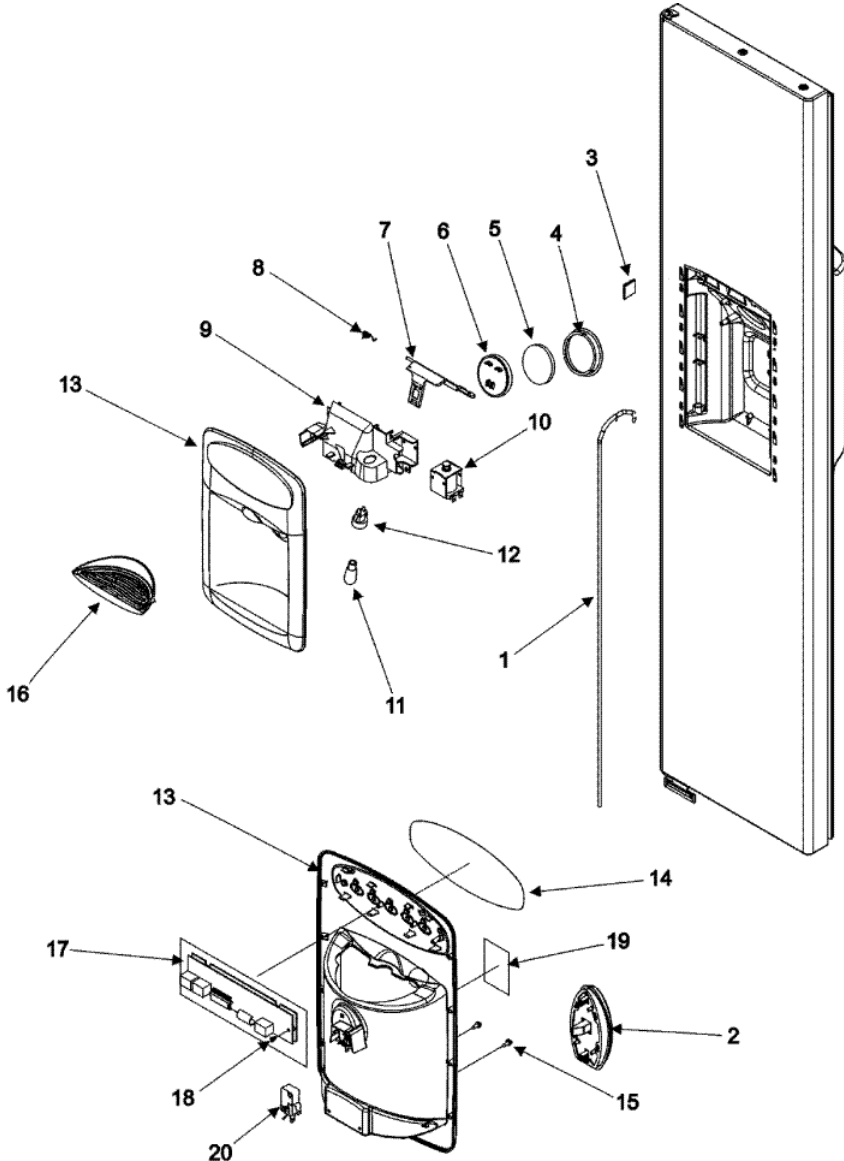




MSD2655HEW FOUNTAIN (SERIES 10)

1	2221070	CLAMP, TUBE (S/P)
1	67004938	WATERLINE ASSY. (S/P)
2	12598902S	ACTR PAD FRAME ASSY. (STNLS) (S/P)
3	M0104102	CLIP, CORD (S/P)
4	12665101	SEAL, ICE CHUTE (S/P)
5	67007098	INSUL, CHUTE DOORxx (S/P)
6	12562701	DOOR, ICE CHUTE (S/P)
7	67004119	HINGE, ICE CHUTE (S/P)
8	12565502	SPRING, CHUTE DR (S/P)
9	M0238642	SCREW, SM (S/P)
9	67006534	EXTENSION, ICE CHUTE (S/P)
10	M0200314	SCREW, MACH (S/P)
10	67006000	SOLENOID (S/P)
11	A40	BULB, LIGHT
12	12617501	SOCKET, LIGHT (S/P)
13	67004399	FACADE (WHT) (S/P)
14	67004121	INSERT, FACADE (WHT) (S/P)
15	M0223230	SCREW, MOUNTING (S/P)
16	67004123	TRAY, SUMP (WHT) (S/P)
17	67003817	BOARD, CONTROL (S/P)
18	M0237902	SCREW, HI/LO (S/P)
19	67003351	LABEL, DISPENSER DESCONTINUADO
20	12575501	SWITCH, LIMIT (S/P)

MSD2655HEW FOUNTAIN (SERIES 50)





MSD2655HEW FOUNTAIN (SERIES 50)

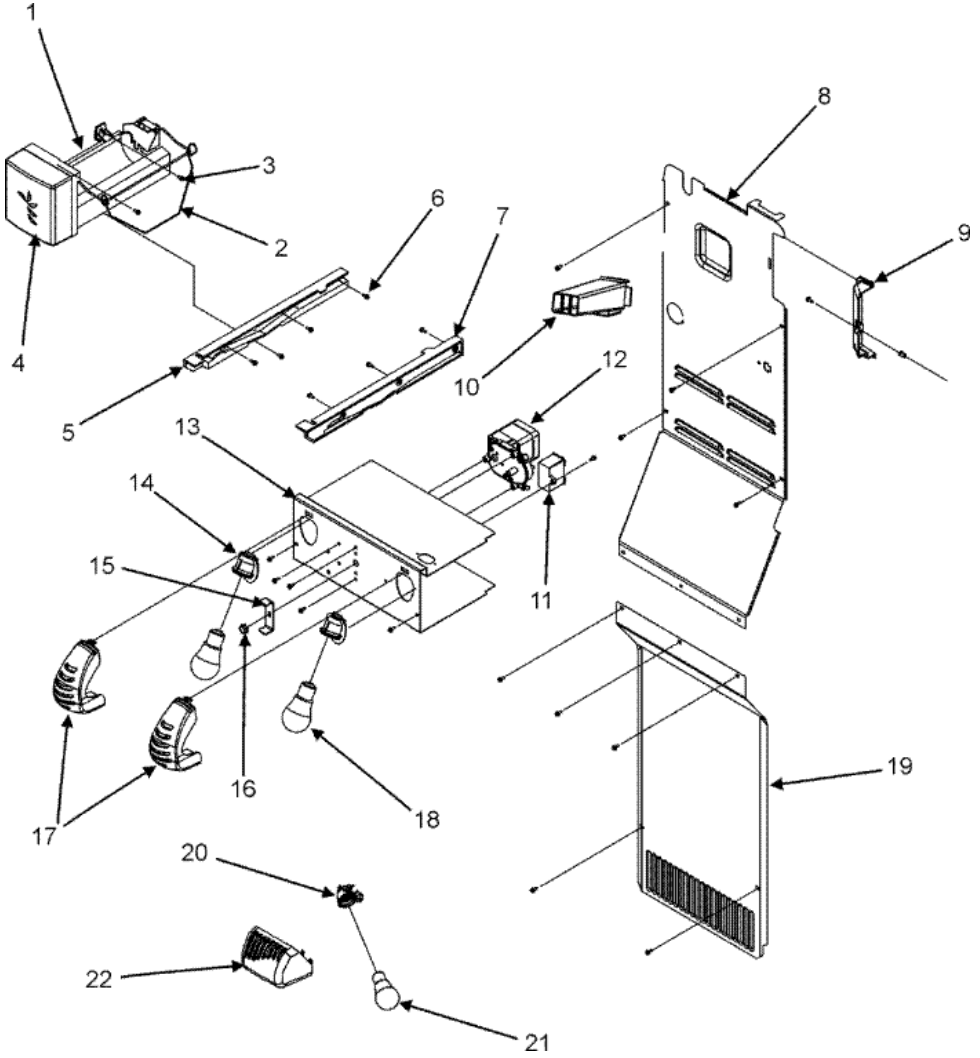
1	2221070	CLAMP, TUBE (S/P)
1	67004938	WATERLINE ASSY. (S/P)
2	12598902S	ACTR PAD FRAME ASSY. (STNLS) (S/P)
3	M0104102	CLIP, CORD (S/P)
4	12665101	SEAL, ICE CHUTE (S/P)
5	67007098	INSUL, CHUTE DOORxx (S/P)
6	12562701	DOOR, ICE CHUTE (S/P)
7	67004119	HINGE, ICE CHUTE (S/P)
8	12565502	SPRING, CHUTE DR (S/P)
9	M0238642	SCREW, SM (S/P)
9	67006534	EXTENSION, ICE CHUTE (S/P)
10	67006000	SOLENOID (S/P)
10	M0200314	SCREW, MACH (S/P)
11	A40	BULB, LIGHT
12	12617501	SOCKET, LIGHT (S/P)
13	67004399	FACADE, 5 BUTTON (WHT) (S/P)
14	67004121	INSERT, FACADE (WHT) (S/P)
15	M0223230	SCREW, MOUNTING (S/P)
16	67004123	TRAY, SUMP (WHT) (S/P)
17	67003817	BOARD, CONTROL (S/P)
18	M0237902	SCREW, HI/LO (S/P)
19	67003351	LABEL, DISPENSER DESCONTINUADO
20	12575501	SWITCH, LIMIT (S/P)

Distribuidor Autorizado

SurteRápido.com

Venta de Refacciones
Electrodomesticas

MSD2655HEW FREEZER COMPARTMENT (SERIES 10)

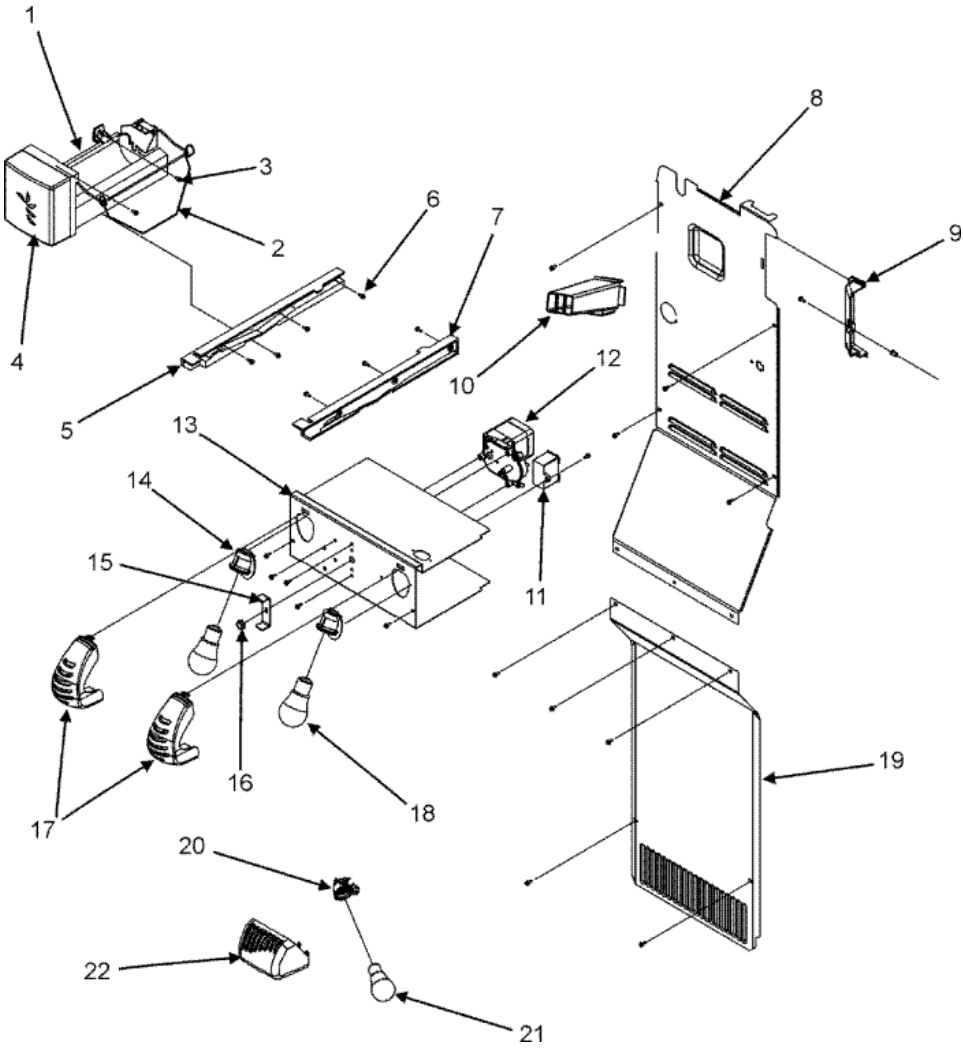




MSD2655HEW FREEZER COMPARTMENT (SERIES 10)

1	D7824706Q	ICE MAKER ASSY.
1	2256087	BRKT, ICE MAKER (S/P)
2	12671401	ASSY, IM ARM/WIRE (S/P)
3	M0211019	SCREW, SM (S/P)
4	67004710	COVER, ICE MAKER (S/P)
5	67005375	GLIDE, FRZ. (LT) (S/P)
6	M0213530	SCREW, SM (STNLS) (S/P)
7	67003870	GLIDE, FRZ. (RT) (S/P)
8	67003577	BACK INNER FZ 26 (S/P)
8	M0238616	SCREW, SM (S/P)
9	M0580205	GROMMET, SCREW (S/P)
9	M0238616	SCREW, SM (S/P)
9	12583101	COVER, SUPPLY AIR (S/P)
10	67003578	DUCT, QUICK ICE 26 (S/P)
11	M0226528	SCREW, TC (S/P)
11	C8931612	CAPACITOR
12	67003226	MOTOR, AUGER (S/P)
12	M0226528	SCREW, TC (S/P)
13	67005214	COVER, AUGER MOTOR (S/P)
13	M0238616	SCREW, SM (S/P)
14	67002216	SOCKET, LIGHT (S/P)
15	10114901	DRIVER (ICE MAKER) (S/P)
16	M0223101	NUT, LOCKING (S/P)
17	67004433	SHIELD, FZ LIGHT (S/P)
18	67003883	BULB, LIGHT (S/P)
19	67004192	COVER, EVAP (S/P)
19	M0238616	SCREW, SM (S/P)
20	67002216	SOCKET, LIGHT (S/P)
21	67003883	BULB, LIGHT (S/P)
22	67003829	SHIELD, FZ LIGHT (S/P)

**MSD2655HEW FREEZER
 COMPARTMENT (SERIES 50)**

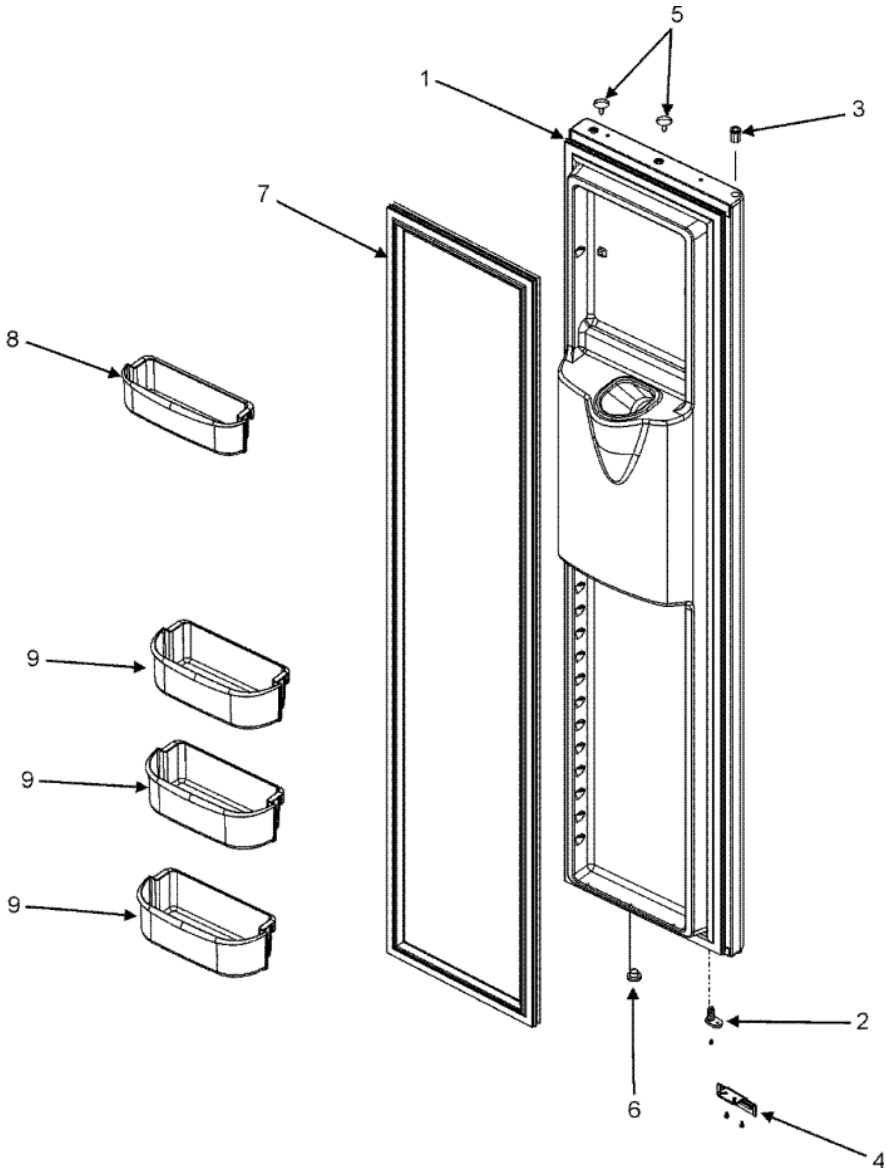




MSD2655HEW FREEZER COMPARTMENT (SERIES 50)

1	D7824706Q	ICE MAKER ASSY.
1	2256087	BRKT, ICE MAKER (S/P)
2	12671401	ASSY, IM ARM/WIRE (S/P)
3	M0211019	SCREW, SM (S/P)
4	67004710	COVER, ICE MAKER (S/P)
5	67004322	GLIDE, FRZ. (LT) (S/P)
6	M0213530	SCREW, SM (STNLS) (S/P)
7	67004323	GLIDE, FRZ. (RT) (S/P)
8	M0238616	SCREW, SM (S/P)
8	67003577	BACK INNER FZ 26 (S/P)
9	M0580205	GROMMET, SCREW (S/P)
9	M0238616	SCREW, SM (S/P)
9	12583101	COVER, SUPPLY AIR (S/P)
10	67003578	DUCT, QUICK ICE 26 (S/P)
11	C8931612	CAPACITOR
11	M0226528	SCREW, TC (S/P)
12	67003226	MOTOR, AUGER (S/P)
12	M0226528	SCREW, TC (S/P)
13	M0238616	SCREW, SM (S/P)
13	67005214	COVER, AUGER MOTOR (S/P)
14	67002216	SOCKET, LIGHT (S/P)
15	10114901	DRIVER (ICE MAKER) (S/P)
16	M0223101	NUT, LOCKING (S/P)
17	67004433	SHIELD, FZ LIGHT (S/P)
18	67003883	BULB, LIGHT (S/P)
19	67004192	COVER, EVAP (S/P)
19	M0238616	SCREW, SM (S/P)
20	67002216	SOCKET, LIGHT (S/P)
21	67003883	BULB, LIGHT (S/P)
22	67004135	SHIELD, FZ LIGHT (S/P)

**MSD2655HEW FREEZER DOOR
(SERIES 10)**

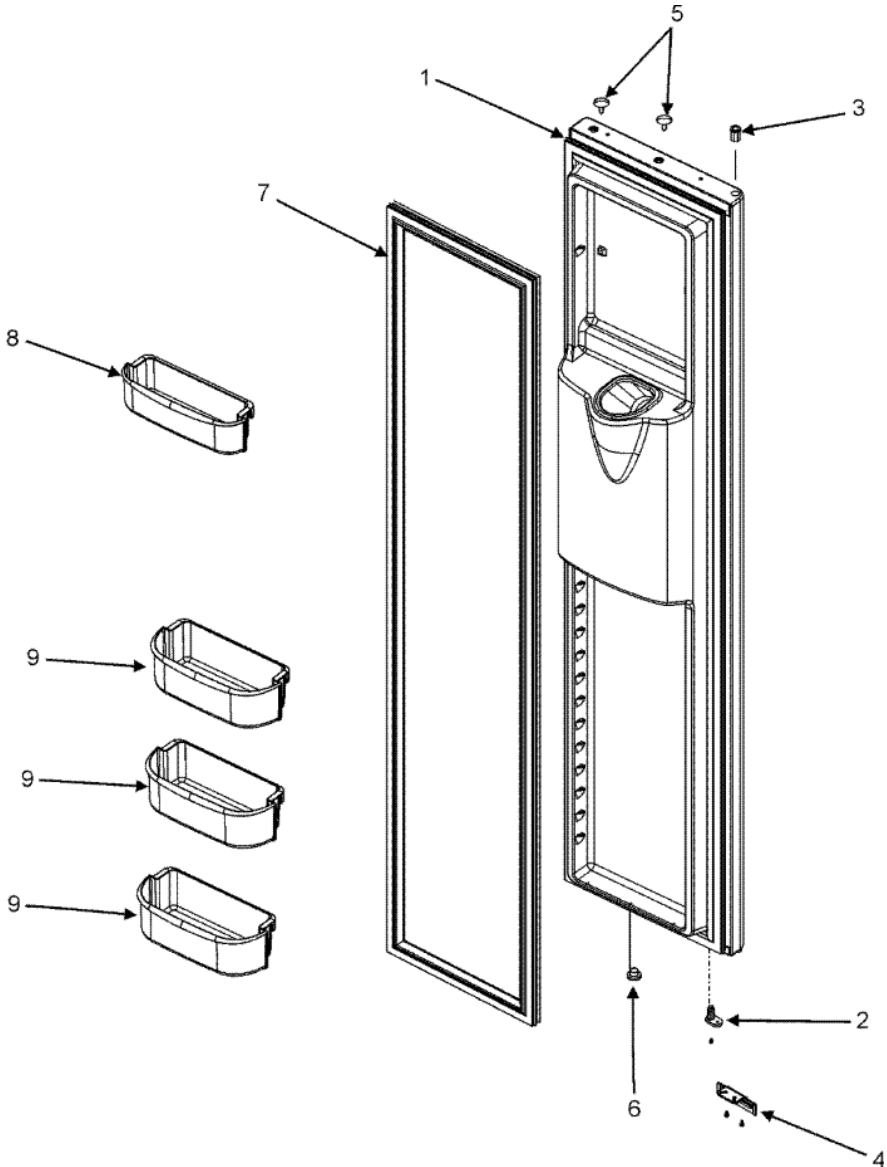




**MSD2655HEW FREEZER DOOR
(SERIES 10)**

1	67004108	DOOR ASSY., FRZ. FOAM (WHT) (S/P)
2	M0220432	SCREW, TC (S/P)
2	12571301B	CLOSURE, DOOR (BLK) (S/P)
3	12395501B	BUSHING, DOOR (BLK) (S/P)
4	M0211018	SCREW, SM (S/P)
4	12636401W	STOP, DOOR (WHT) (S/P)
5	M0311605	PLUG, BUTTON (WHT) (S/P)
6	A3080001	PLUG, BUTTON (BLK) (S/P)
7	67003968	GASKET, FRZ. DOOR (WHT) (S/P)
8	67004772	BUCKET, UPR FZ DR (S/P)
9	12557501	BUCKET, LWR FZ DR (S/P)

**MSD2655HEW FREEZER DOOR
(SERIES 50)**

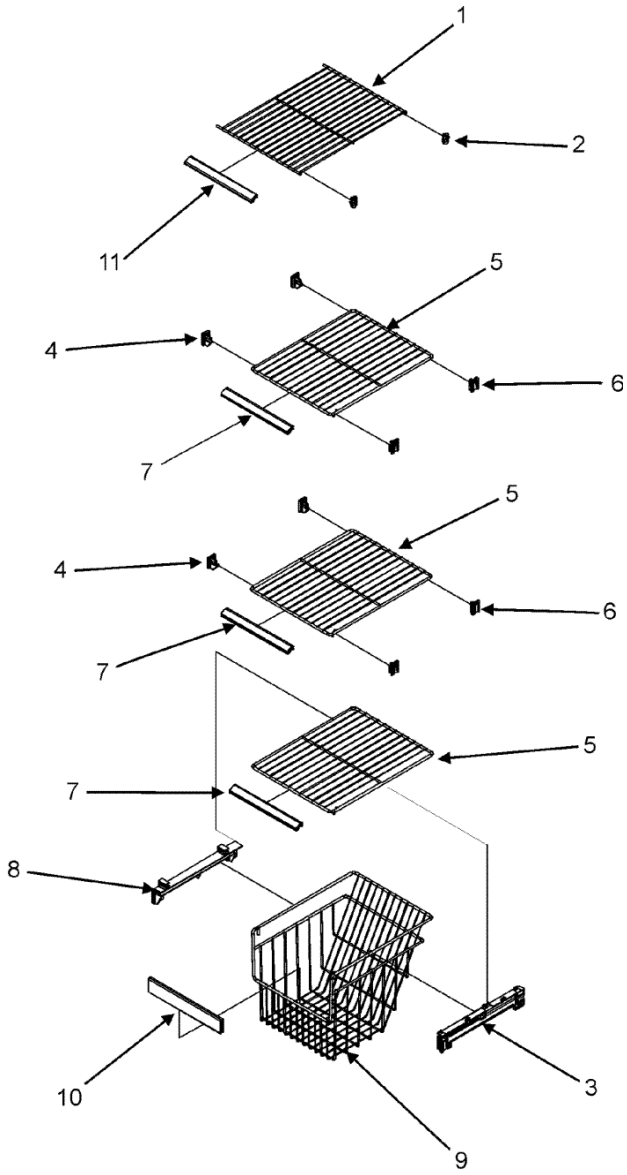




**MSD2655HEW FREEZER DOOR
(SERIES 50)**

1	67003990	DOOR ASSY., FRZ. FOAM (WHT) (S/P)
2	12571301B	CLOSURE, DOOR (BLK) (S/P)
2	M0220432	SCREW, TC (S/P)
3	12395501B	BUSHING, DOOR (BLK) (S/P)
4	12636401W	STOP, DOOR (WHT) (S/P)
4	M0211018	SCREW, SM (S/P)
5	M0311605	PLUG, BUTTON (WHT) (S/P)
6	A3080001	PLUG, BUTTON (BLK) (S/P)
7	67003968	GASKET, FRZ. DOOR (WHT) (S/P)
8	67004772	BUCKET, UPR FZ DR (S/P)
9	12557501	BUCKET, LWR FZ DR (S/P)

**MSD2655HEW FREEZER SHELVES
(SERIES 10)**

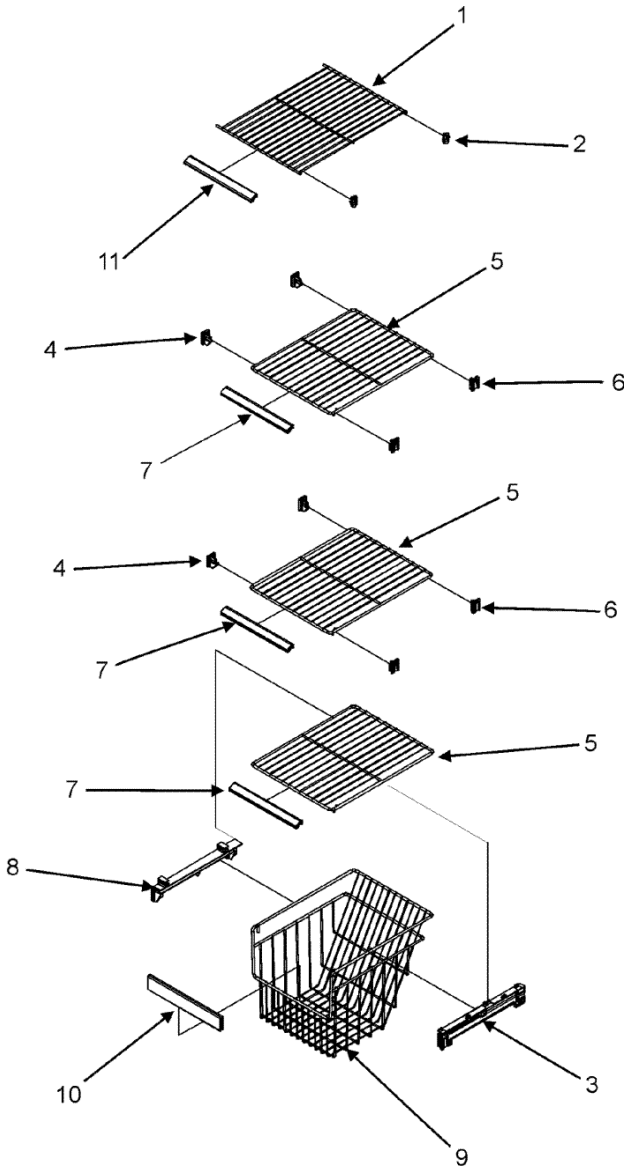




**MSD2655HEW FREEZER SHELVES
(SERIES 10)**

1	67004354	SHELF, UPR FZ (S/P)
2	C8973801	SUPPORT, FRZ SHELF (S/P)
3	67004179	RAIL, BASKET (RT) (S/P)
4	12015002	SUPPORT, SHELF (LT) (S/P)
5	67004690	SHELF, LWR FZ (S/P)
6	10941102	SUPPORT, SHELF (RT) (S/P)
7	12314101	TRIM, BASKET/SHELF (S/P)
8	67004182	RAIL, BASKET (LT) (S/P)
9	67006234	BASKET, LWR FRZ (S/P)
10	67004252	TRIM, FZ BASKET (S/P)
11	67004181	TRIM, BASKET/SHELF (S/P)

**MSD2655HEW FREEZER SHELVES
(SERIES 50)**

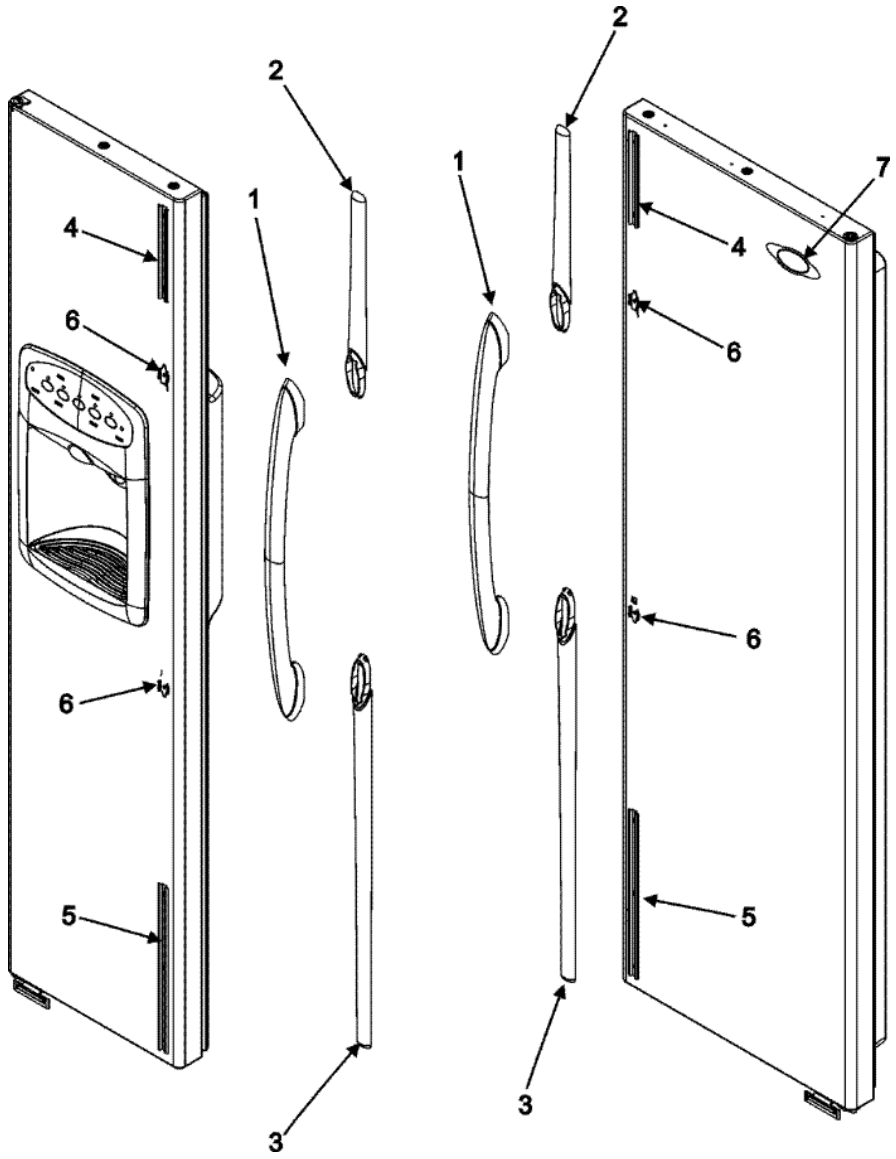




MSD2655HEW FREEZER SHELVES (SERIES 50)

1	67004354	SHELF, UPR FRZ. (S/P)
2	C8973801	SUPPORT, FRZ SHELF (S/P)
3	67004179	RAIL, BASKET (RT) (S/P)
4	12015002	SUPPORT, SHELF (LT) (S/P)
5	67004690	SHELF, LWR FZ (S/P)
6	10941102	SUPPORT, SHELF (RT) (S/P)
7	12314101	TRIM, BASKET/SHELF (S/P)
8	67004182	RAIL, BASKET (LT) (S/P)
9	67006234	BASKET, LWR FRZ (S/P)
10	67004252	TRIM, FZ BASKET (S/P)
11	67004181	TRIM, BASKET/SHELF (S/P)

MSD2655HEW HANDLES (SERIES 10)

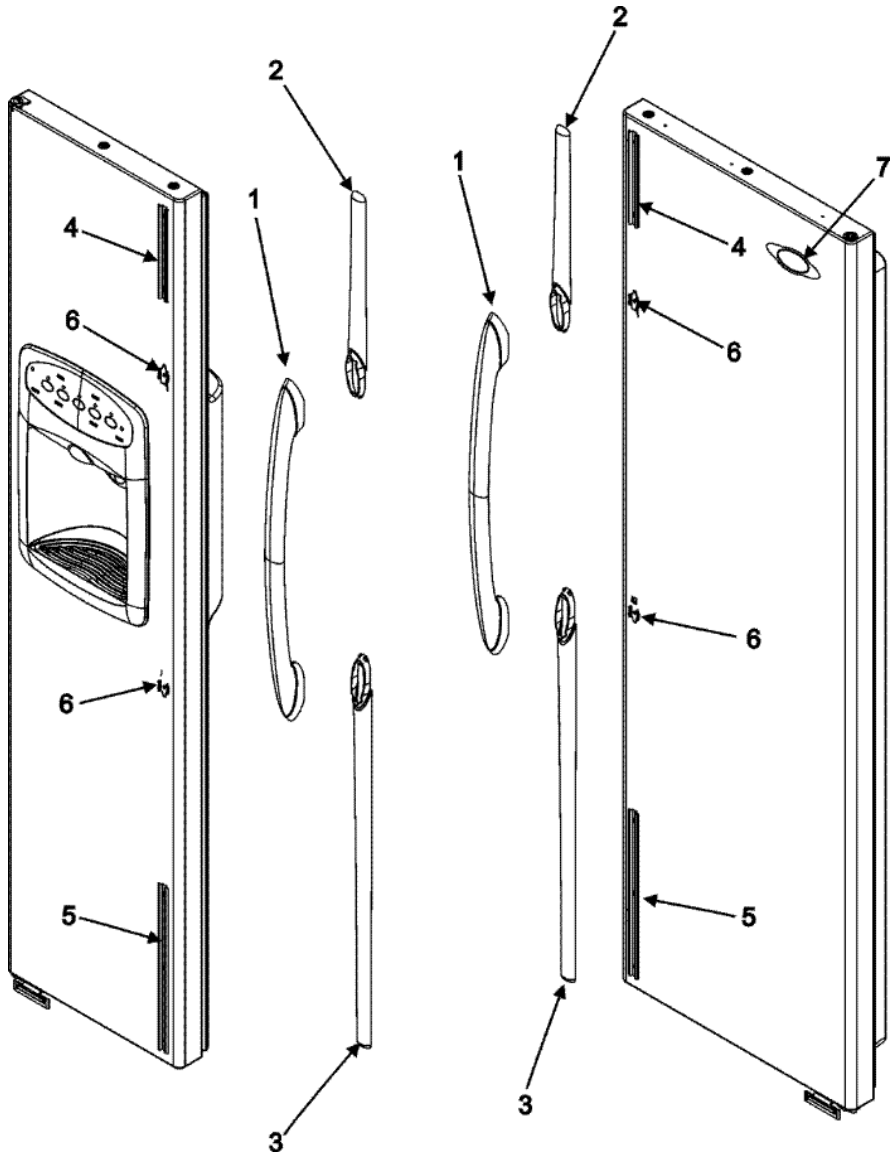




MSD2655HEW HANDLES (SERIES 10)

1	67007028	CARD, HANDLE RELEASE SS & WS (S/P)
1	67004980	HANDLE ASSY., DOOR (WHT) (S/P)
2	67004234	TRIM, TOP DOOR (WHT) (S/P)
3	67004237	TRIM, BOTTOM DOOR (WHT) (S/P)
4	67004116	CLEAT, HANDLE (S/P)
4	67003801	SCREW, SM No.8 (S/P)
5	67003801	SCREW, SM No.8 (S/P)
5	67004117	CLEAT, HANDLE (S/P)
6	12723002	CLIP, HANDLE BUTTERFLY (S/P)
6	67003800	SCREW, SM No.10 (S/P)
7	2324038	NAMEPLATE (S/P)

MSD2655HEW HANDLES (SERIES 50)





MSD2655HEW HANDLES (SERIES 50)

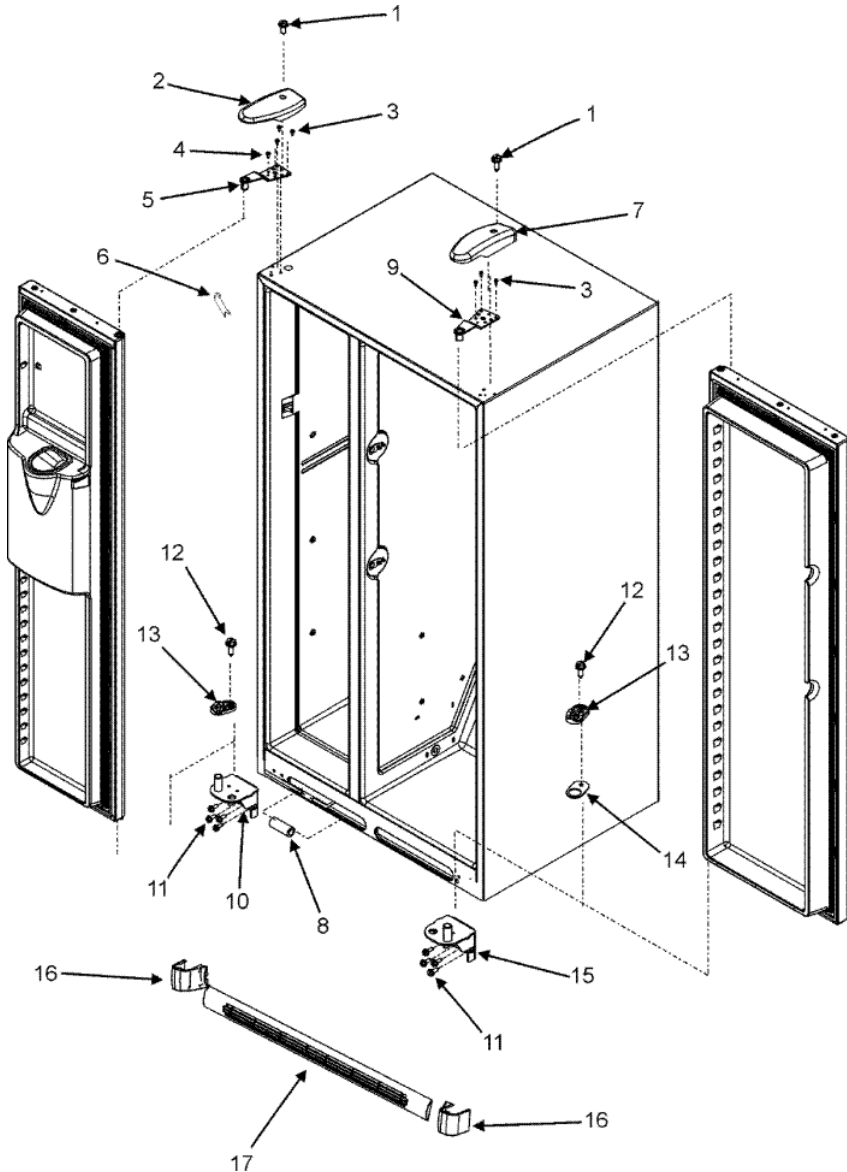
1	67007028	CARD, HANDLE RELEASE SS & WS (S/P)
1	67004980	HANDLE ASSY., DOOR (WHT) (S/P)
2	67004234	TRIM, TOP DOOR (WHT) (S/P)
3	67004237	TRIM, BOTTOM DOOR (WHT) (S/P)
4	67004116	CLEAT, HANDLE (S/P)
4	67003801	SCREW, SM No.8 (S/P)
5	67003801	SCREW, SM No.8 (S/P)
5	67004117	CLEAT, HANDLE (S/P)
6	12723002	CLIP, HANDLE BUTTERFLY (S/P)
6	67003800	SCREW, SM No.10 (S/P)
7	2324038	NAMEPLATE (S/P)

Distribuidor Autorizado

SurteRápido.com

Venta de Refacciones
Electrodomesticas

MSD2655HEW HINGES (SERIES 10)





MSD2655HEW HINGES (SERIES 10)

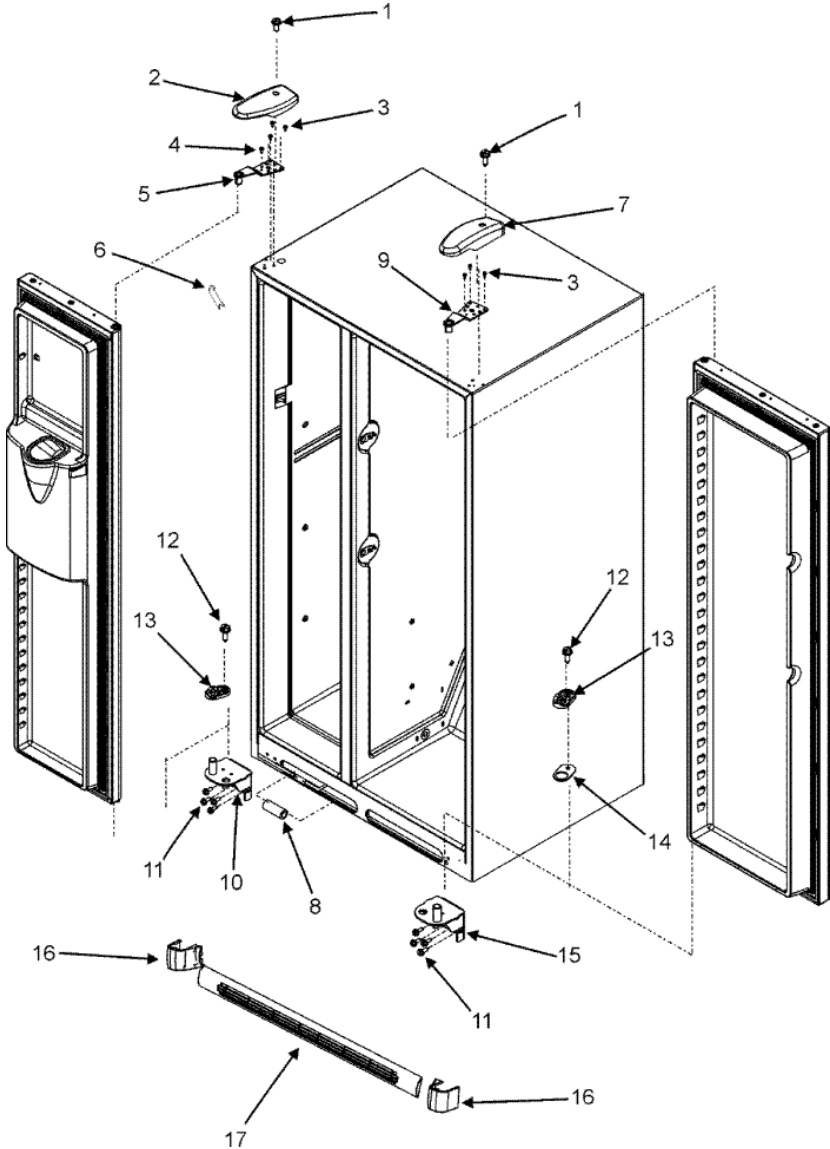
1	M0202336	SCREW, MACH DESCONTINUADO
2	67004029	COVER, TOP HINGE (LT-WHT) (S/P)
3	M0238731	SCREW, TF (S/P)
4	M0202321	SCREW, MACH (S/P)
5	67006489	HINGE, TOP (LT-BLK) (S/P)
6	67003484	COVER, CORNER (WHT) (S/P)
7	67004030	COVER, TOP HINGE (RT-WHT) (S/P)
8	2300868	UNION, TUBE (5/16``-5/16``) (S/P)
9	67005832	HINGE, TOP (RT-BLK) (S/P)
10	12636901ED	HINGE, BOTTOM (LT-BLK) (S/P)
11	67003858	SCREW, BOTTOM HINGE (S/P)
12	M0220431	SCREW, TC (S/P)
13	12431301	CLOSURE, DOOR (BLK) (S/P)
14	67005716	SHIM, DR CLOSURE (BLK) (S/P)
15	67005413	HINGE, BOTTOM (RT-BLK) (S/P)
16	12630301W	COVER, LWR HINGE (WHT) (S/P)
17	12627302	CLIP, TOE GRILLE (S/P)
17	67002223	TOE GRILLE ASSY (WHT) (S/P)

Distribuidor Autorizado

SurteRápido.com

Venta de Refacciones
Electrodomesticas

MSD2655HEW HINGES (SERIES 50)

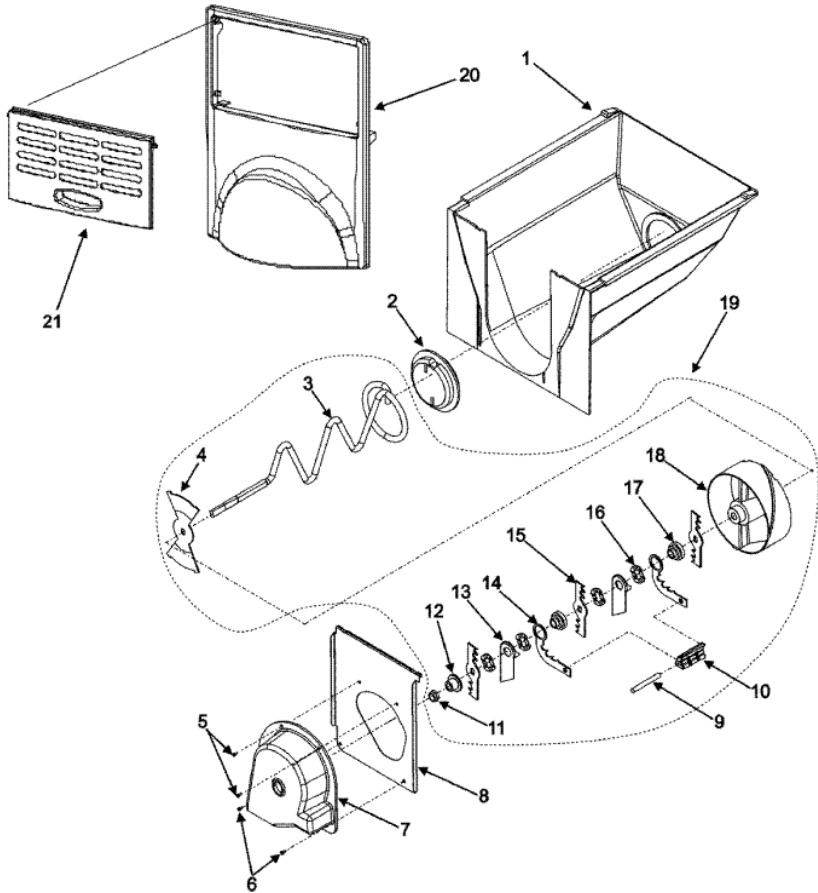




MSD2655HEW HINGES (SERIES 50)

1	M0202327	SCREW-MACH (S/P)
2	67004029	COVER, TOP HINGE (LT-WHT) (S/P)
3	M0238731	SCREW, TF (S/P)
4	M0202321	SCREW, MACH (S/P)
5	67006489	HINGE, TOP (LT-BLK) (S/P)
6	67003484	COVER, CORNER (WHT) (S/P)
7	67004030	COVER, TOP HINGE (RT-WHT) (S/P)
8	2300868	UNION, TUBE (5/16``-5/16``) (S/P)
9	67005832	HINGE, TOP (RT-BLK) (S/P)
10	12636901ED	HINGE, BOTTOM (LT-BLK) (S/P)
11	67003858	SCREW, BOTTOM HINGE (S/P)
12	M0220431	SCREW, TC (S/P)
13	12431301	CLOSURE, DOOR (BLK) (S/P)
14	67005716	SHIM, DR CLOSURE (BLK) (S/P)
15	67005413	HINGE, BOTTOM (RT-BLK) (S/P)
16	12630301W	COVER, LWR HINGE (WHT) (S/P)
17	12627302	CLIP, TOE GRILLE (S/P)
17	67002223	TOE GRILLE ASSY (WHT) (S/P)

**MSD2655HEW ICE BUCKET ASSY.
(SERIES 10)**





**MSD2655HEW ICE BUCKET ASSY.
(SERIES 10)**

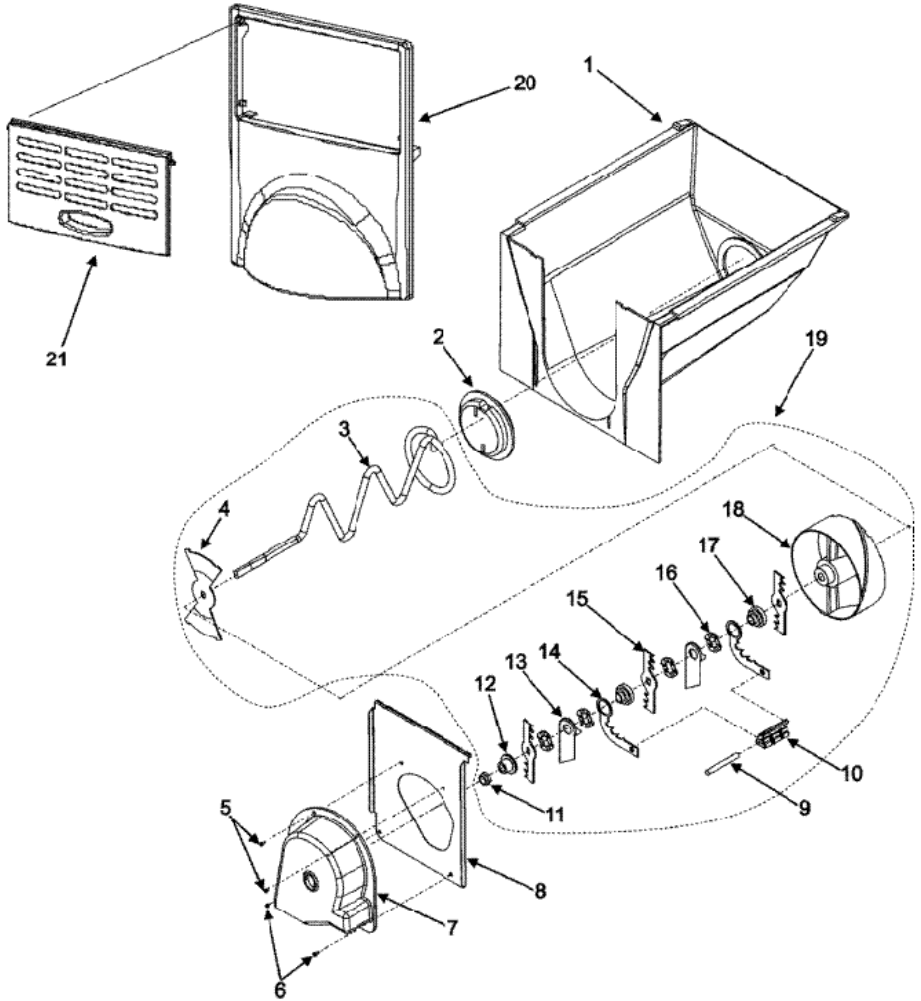
1	67005959	BUCKET, ICE CRUSH (S/P)
2	D7749401	CAP, HELIX END
3	10114401	AGITATOR, ICE (S/P)
4	10113801	BAR, CRSH ICE BUCKET (S/P)
5	59001208	SCREW, HEX HEAD (S/P)
6	M0238616	SCREW, SM (S/P)
7	67002271	COVER, BLADE (S/P)
8	10115001	FRONT, ICE CRUSHER (S/P)
9	M1200108	PIN, ROLL (S/P)
10	10114101	ANCHOR, BLADE (S/P)
11	M0223101	NUT, LOCKING (S/P)
12	10113901	SPACER, COVER (S/P)
13	10275201	DAMPER, ICE (S/P)
14	10114601	BLADE, STATIC (S/P)
15	10114501	BLADE, ROTATING (S/P)
16	10275101	WASHER, WAVED (S/P)
17	10114301	WASHER STEPPED (S/P)
18	67002052	WHEEL, CRSH ICE (S/P)
19	12740302	CRUSHED ICE AGITATOR ASSY (S/P)
20	67004255	COVER, ICE BUCKET (S/P)
21	67004256	DOOR, ICE BUCKET (S/P)

Distribuidor Autorizado

SurteRápido.com

Venta de Refacciones
Electrodomesticas

MSD2655HEW ICE BUCKET ASSY. (SERIES 50)

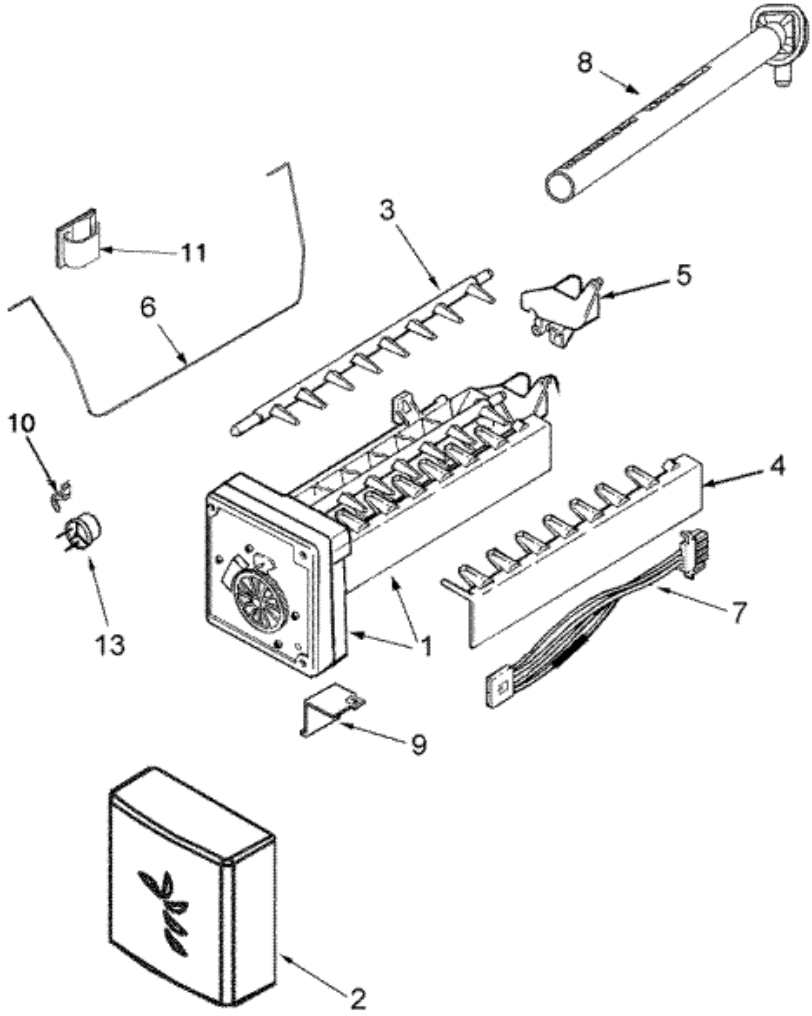




**MSD2655HEW ICE BUCKET ASSY.
(SERIES 50)**

1	67005959	BUCKET, ICE CRUSH (S/P)
2	D7749401	CAP, HELIX END
3	10114401	AGITATOR, ICE (S/P)
4	10113801	BAR, CRSH ICE BUCKET (S/P)
5	59001208	SCREW, HEX HEAD (S/P)
6	M0238616	SCREW, SM (S/P)
7	67002271	COVER, BLADE (S/P)
8	10115001	FRONT, ICE CRUSHER (S/P)
9	M1200108	PIN, ROLL (S/P)
10	10114101	ANCHOR, BLADE (S/P)
11	M0223101	NUT, LOCKING (S/P)
12	10113901	SPACER, COVER (S/P)
13	10275201	DAMPER, ICE (S/P)
14	10114601	BLADE, STATIC (S/P)
15	10114501	BLADE, ROTATING (S/P)
16	10275101	WASHER, WAVED (S/P)
17	10114301	WASHER STEPPED (S/P)
18	67002052	WHEEL, CRSH ICE (S/P)
19	12740302	CRUSHED ICE AGITATOR ASSY (S/P)
20	67004255	COVER, ICE BUCKET (S/P)
21	67004256	DOOR, ICE BUCKET (S/P)

MSD2655HEW ICE MAKER (SERIES 10)





MSD2655HEW ICE MAKER (SERIES 10)

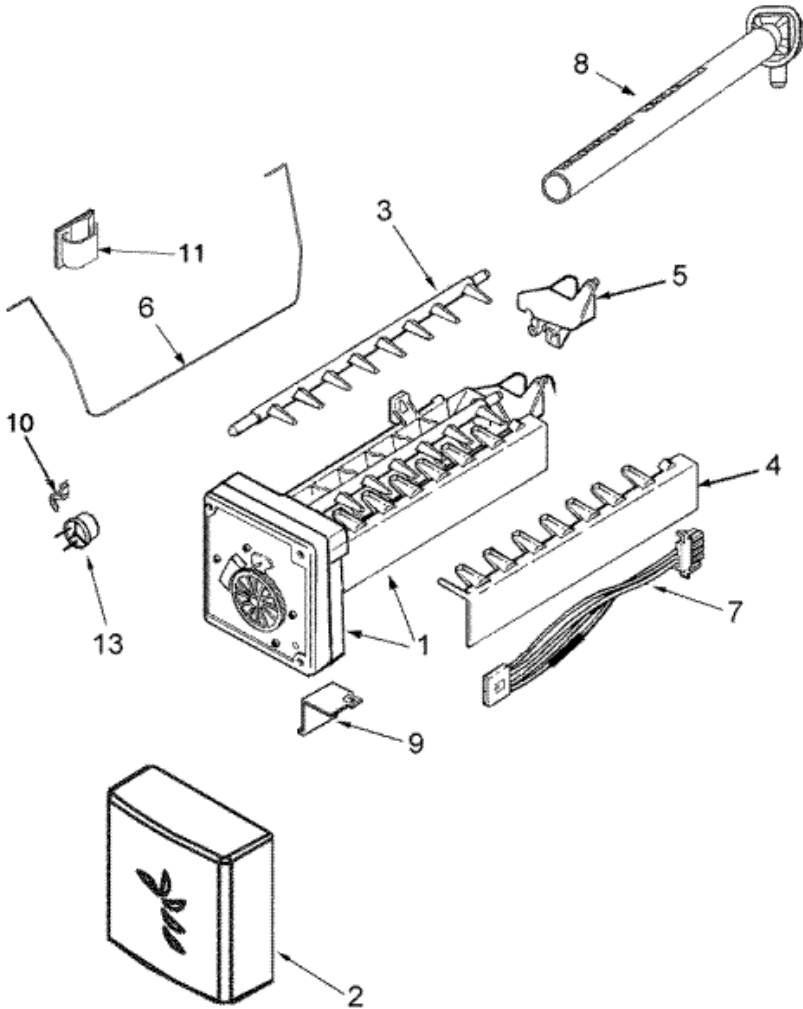
1	67002823	BRKT, ICE MAKER (S/P)
1	2256087	ICE MAKER ASSY. (S/P)
1	M0211019	SCREW, SM (S/P)
2	67004710	COVER, ICE MAKER (S/P)
3	627843	EJECTOR, ICE (S/P)
4	2182124	STRIPPER, ICE (S/P)
5	628356	INLET, WATER (S/P)
6	12671401Q	IM ARM/WIRE ASSY (S/P)
7	67002124	HARNESS, ICE MAKER (S/P)
8	67003576	ELBOW, FILL TUBE (S/P)
9	2256087	BRACKET, MODULE & HEATER (S/P)
9	95108-1	SCREW, BRACKET (S/P)
10	2315522	RETAINER, THERMOSTAT (S/P)
11	M0104106	CLIP (S/P)
12	95093-1	CEMENT, ALUMILASTIC (4 OZ.) (S/P)
12	627985	THERMOSTAT (S/P)
13	10244904	COUPLING (S/P)
14	18001005	ICE MAKER HOOK UP KIT (S/P)

Distribuidor Autorizado

SurteRápido.com

Venta de Refacciones
Electrodomesticas

MSD2655HEW ICE MAKER (SERIES 50)

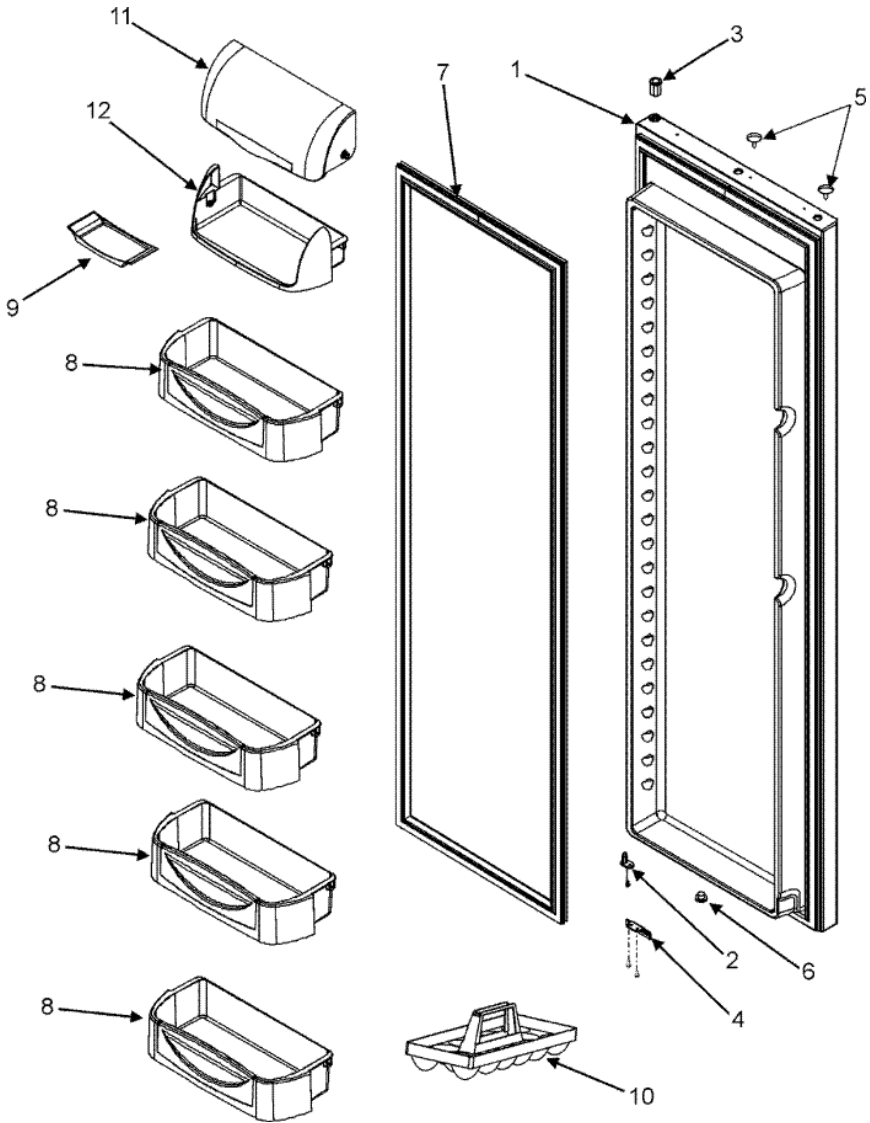




MSD2655HEW ICE MAKER (SERIES 50)

1	M0211019	SCREW, SM (S/P)
1	2256087	ICE MAKER ASSY. (S/P)
1	67002823	BRKT, ICE MAKER (S/P)
2	67004710	COVER, ICE MAKER (S/P)
3	627843	EJECTOR, ICE (S/P)
4	2182124	STRIPPER, ICE (S/P)
5	628356	INLET, WATER (S/P)
6	12671401Q	IM ARM/WIRE ASSY (S/P)
7	67002124	HARNESS, ICE MAKER (S/P)
8	67003576	ELBOW, FILL TUBE (S/P)
9	2256087	BRACKET, MODULE & HEATER (S/P)
9	95108-1	SCREW, BRACKET (S/P)
10	2315522	RETAINER, THERMOSTAT (S/P)
11	M0104106	CLIP (S/P)
12	627985	THERMOSTAT (S/P)
12	95093-1	CEMENT, ALUMILASTIC (4 OZ.) (S/P)
13	10244904	COUPLING (S/P)
14	18001005	ICE MAKER HOOK UP KIT (S/P)

**MSD2655HEW REFRIGERATOR DOOR
 (SERIES 10)**

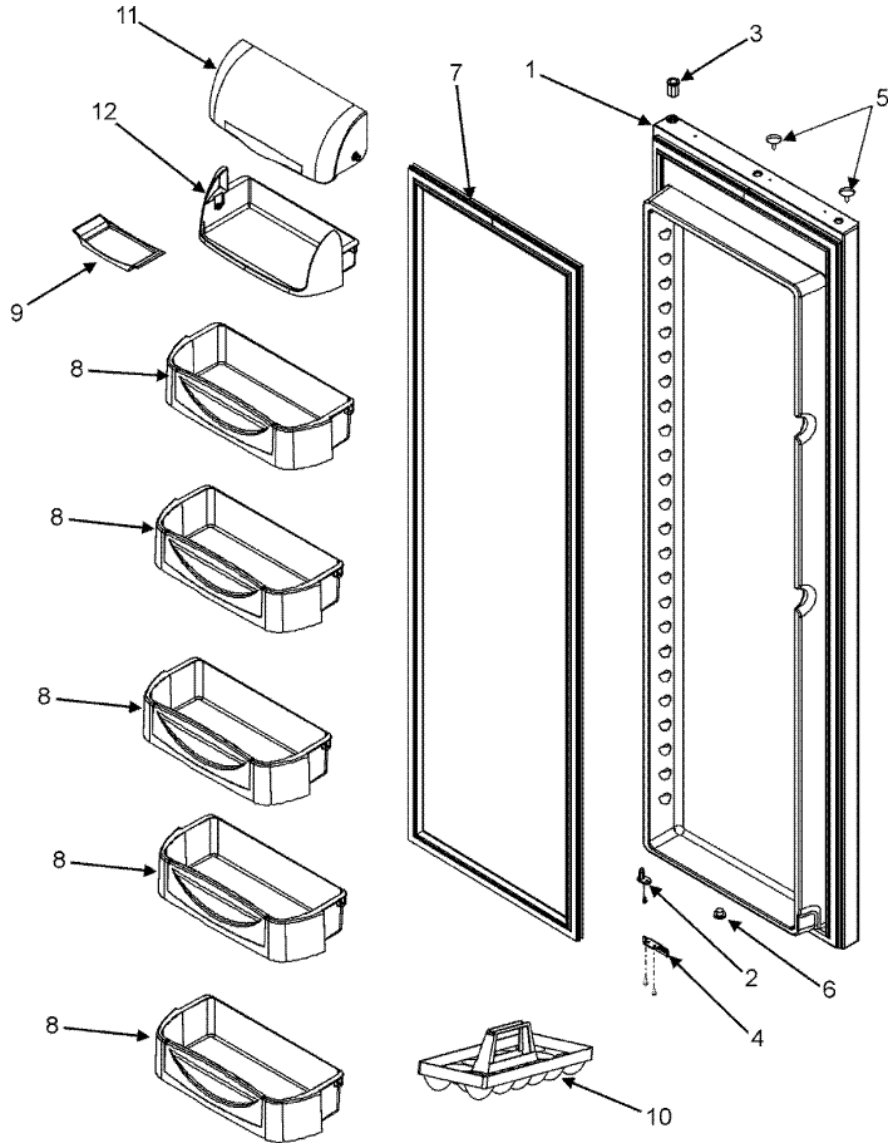




**MSD2655HEW REFRIGERATOR DOOR
(SERIES 10)**

1	67003811	DOOR ASSY., REF. FOAM (WHT) (S/P)
2	12431301	CLOSURE, DOOR (BLK) (S/P)
2	M0220432	SCREW, TC (S/P)
3	10961002	BUSHING, DOOR (BLK) (S/P)
4	12636401W	STOP, DOOR (WHT) (S/P)
4	M0211018	SCREW, SM (S/P)
5	M0311605	PLUG, BUTTON (WHT) (S/P)
6	A3080001	PLUG, BUTTON (BLK) (S/P)
7	67003966	GASKET, REF. DOOR (WHT) (S/P)
8	67004229	BUCKET ASSY., REF. DOOR (S/P)
9	67004412A	TRAY, BUTTER (S/P)
10	67004411	TRAY, EGG (S/P)
11	67002957	DOOR, DAIRY (S/P)
12	67002304	TRAY, DAIRY (S/P)

MSD2655HEW DOOR (SERIES 50)

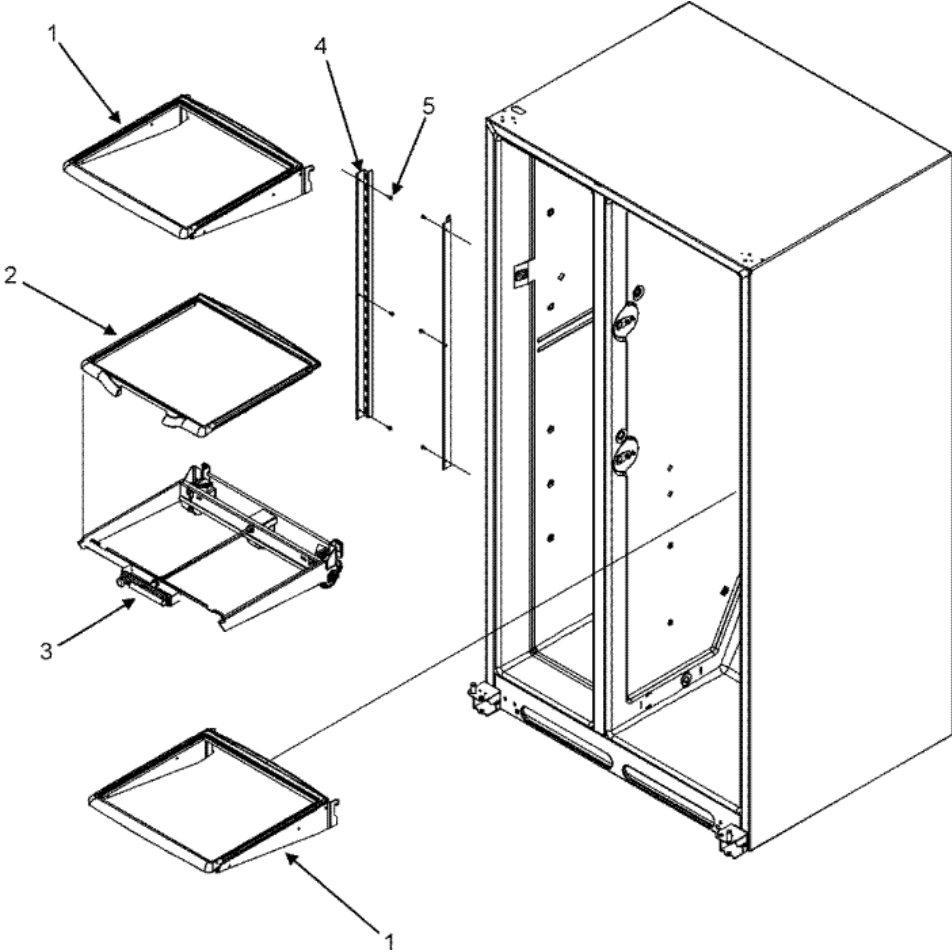




MSD2655HEW DOOR (SERIES 50)

1	67004910	DOOR ASSY., REF. FOAM (WHT) (S/P)
2	12431301	CLOSURE, DOOR (BLK) (S/P)
2	M0220432	SCREW, TC (S/P)
3	10961002	BUSHING, DOOR (BLK) (S/P)
4	12636401W	STOP, DOOR (WHT) (S/P)
4	M0211018	SCREW, SM (S/P)
5	M0311605	PLUG, BUTTON (WHT) (S/P)
6	A3080001	PLUG, BUTTON (BLK) (S/P)
7	67003966	GASKET, REF. DOOR (WHT) (S/P)
8	67004229	BUCKET ASSY., REF. DOOR (S/P)
9	67004412A	TRAY, BUTTER (S/P)
10	67004411	TRAY, EGG (S/P)
11	67002957	DOOR, DAIRY (S/P)
12	67002304	TRAY, DAIRY (S/P)

MSD2655HEW SHELVES (SERIES 10)

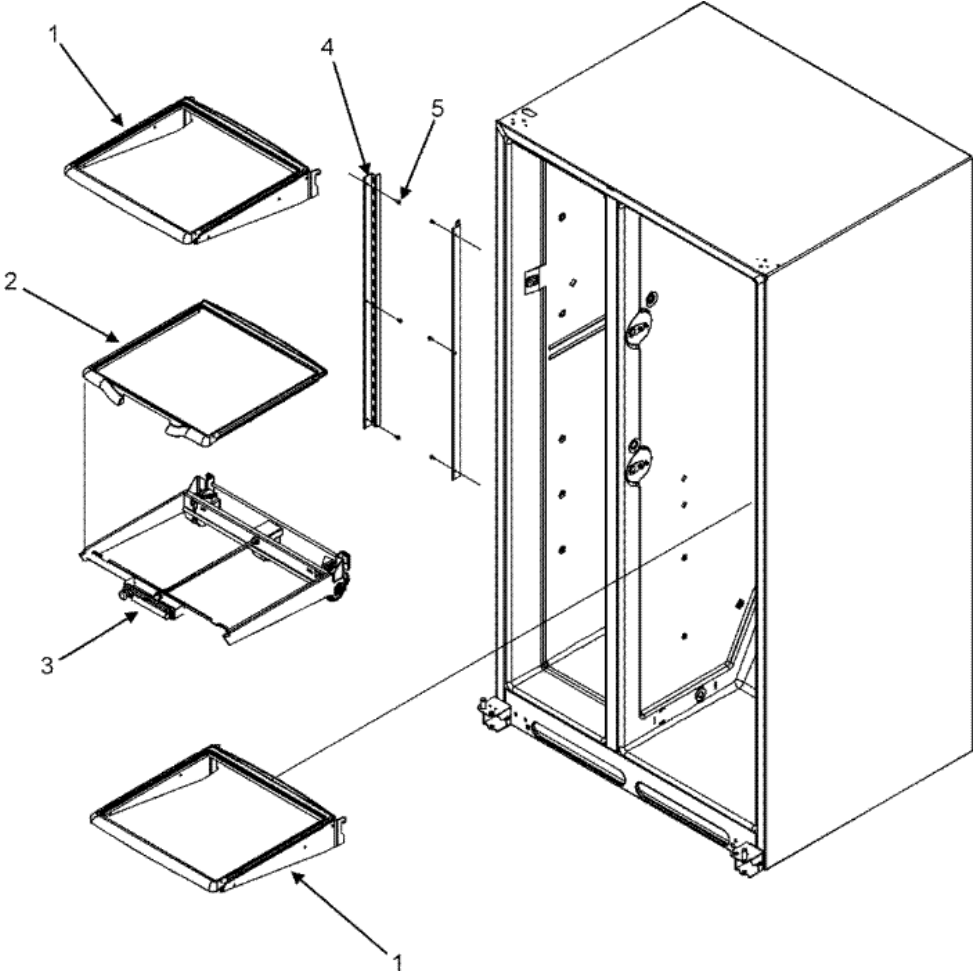




MSD2655HEW SHELVES (SERIES 10)

1	67004242	SHELF, GLIDE (S/P)
2	67004243	SHELF, ELEVATOR (S/P)
3	12753915	FRAME ASSY., ELEVATOR SHELF (S/P)
4	67003838	LADDER, SIDE (S/P)
5	M0211016	SCREW, SM (S/P)

MSD2655HEW SHELVES (SERIES 50)





MSD2655HEW SHELVES (SERIES 50)

1	67004242	SHELF, GLIDE (S/P)
2	67004243	SHELF, ELEVATOR (S/P)
3	12753915	FRAME ASSY., ELEVATOR SHELF (S/P)
4	67003838	LADDER, SIDE (S/P)
5	M0211016	SCREW, SM (S/P)