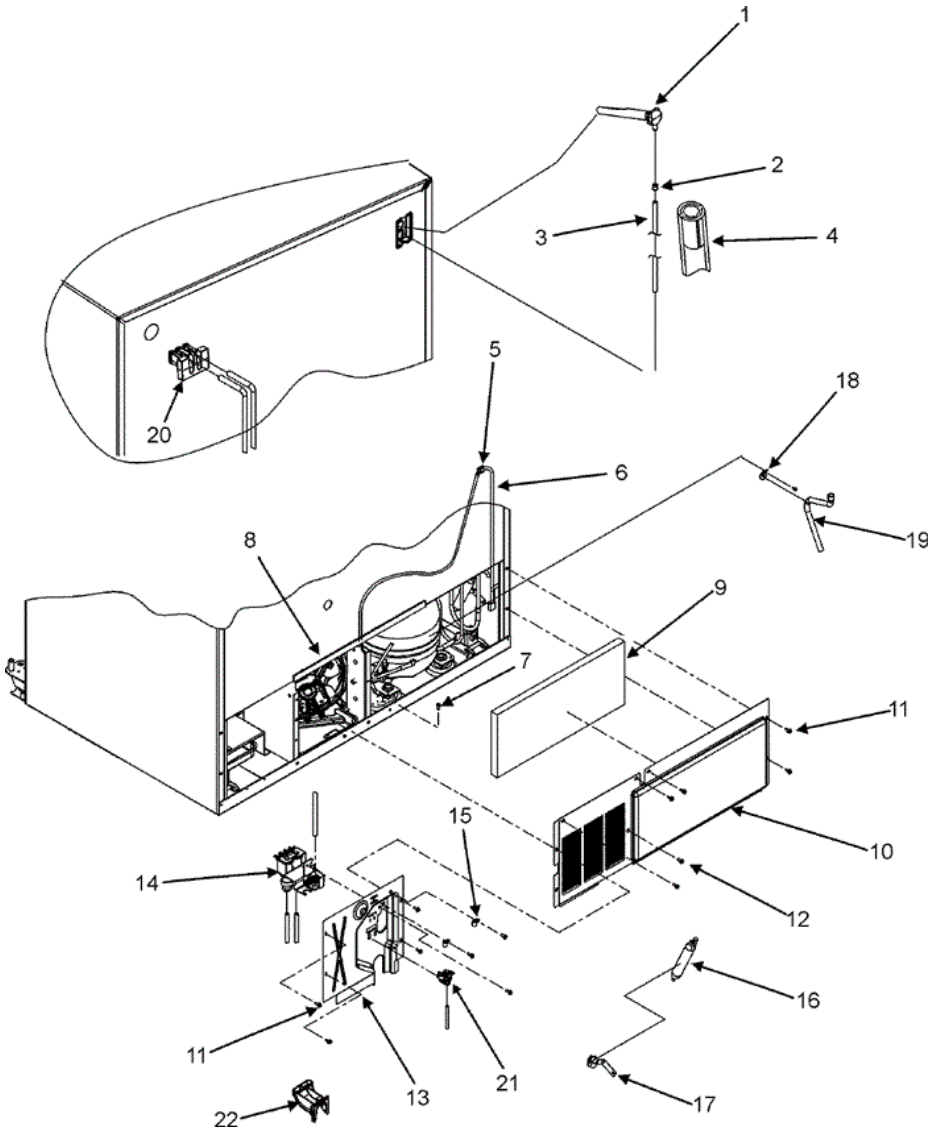


MSD2657HES CABINET (SERIE 10)

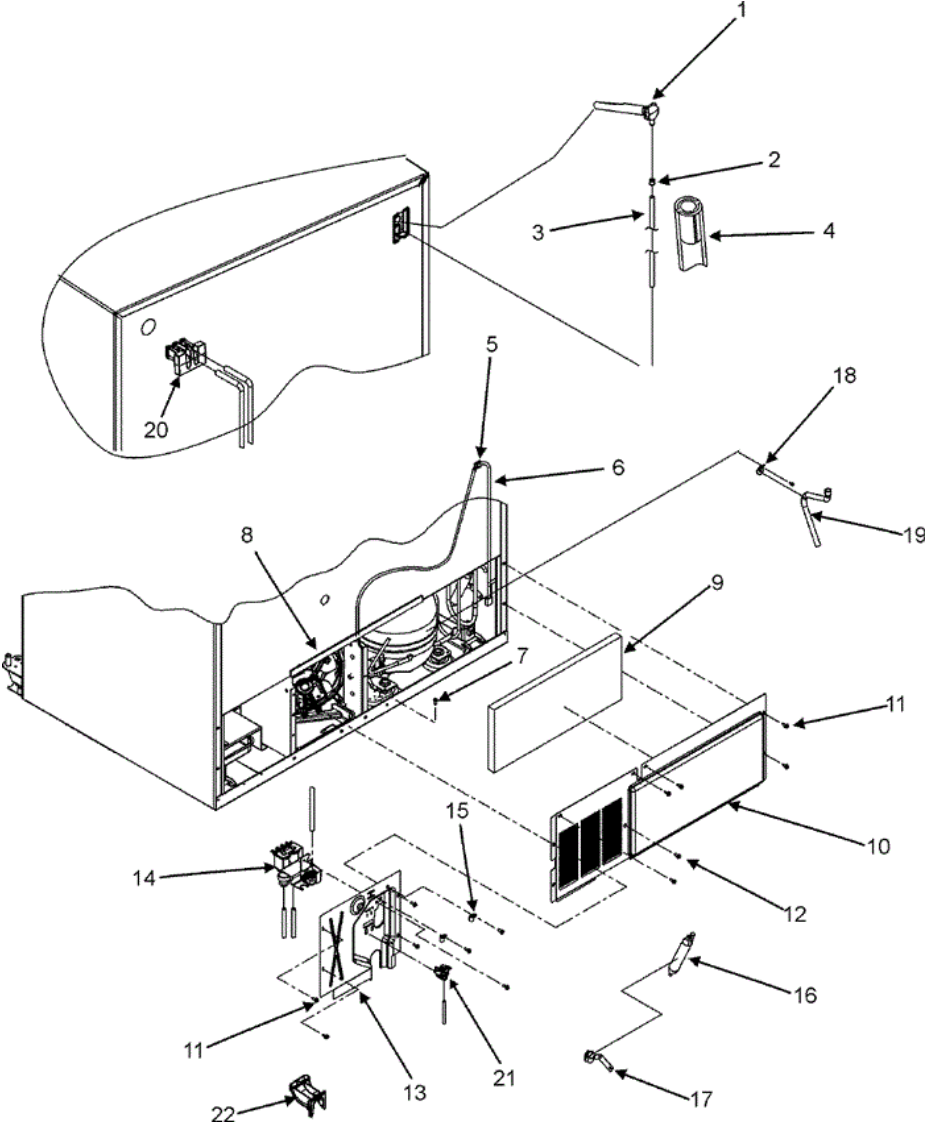




MSD2657HES CABINET (SERIE 10)

1	67003576	10	ELBOW, FILL TUBE
2	M0114003	10	CLIP, SPEED
3	67003360	10	TUBE, PLASTIC
4	A3223101	10	INSERT, PLASTIC TUBE
5	M0104106	10	CLIP
6	12583301	10	CORD, POWER
7	M0239216	10	SCREW, CA
8	B5759649	10	GASKET, MC BACK
9	67003796	10	FIBER, ACOUSTIC
10	12575101ED	10	BACK, MACH COMP
11	M0238616	10	SCREW, SM
12	M0251015	10	SCREW
13	67004098	10	COVER, WATER VALVE
14	67003818	10	VALVE, DUAL WATER
14	M0251015	10	SCREW
15	M0108105	10	CLAMP, TUBE
16	B2150504	10	DRIER
17	10547002	10	CLIP, DRIER
17	67002999	10	SCREW, SM
18	M0102303	10	CLAMP
18	M0220617	10	SCREW
19	12580401	10	TUBE, DRAIN
20	67004092	10	BLOCK, FILTER
21	67004100	10	CLIP, WATERLINE
22	67004101	10	SWEEP, DUAL TUBE
23	67004102	10	TRACK, WATERLINE

MSD2657HES CABINET (SERIE 50)

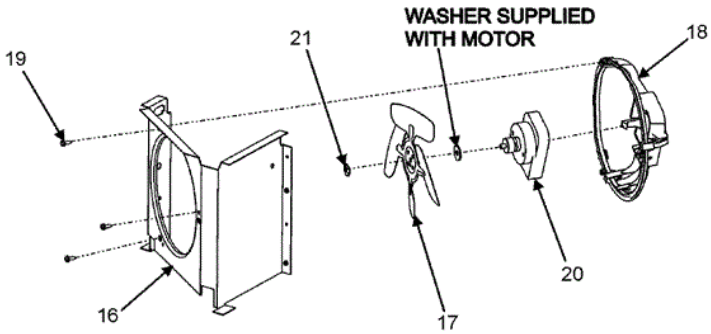
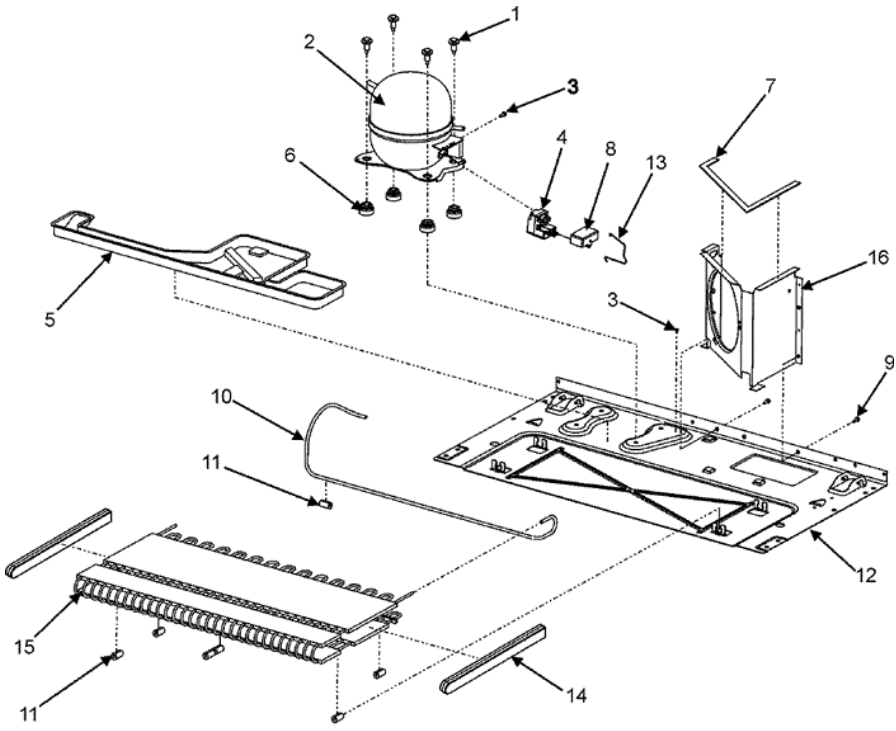




MSD2657HES CABINET (SERIE 50)

1	67003576	50	ELBOW, FILL TUBE
2	M0114003	50	CLIP, SPEED
3	67003360	50	TUBE, PLASTIC
4	A3223101	50	INSERT, PLASTIC TUBE
5	M0104106	50	CLIP
6	12583301	50	CORD, POWER
7	M0239216	50	SCREW, CA
8	B5759649	50	GASKET, MC BACK
9	67003796	50	FIBER, ACOUSTIC
10	12575101ED	50	BACK, MACH COMP
11	M0238616	50	SCREW, SM
12	M0251015	50	SCREW
13	67004098	50	COVER, WATER VALVE
14	67003818	50	VALVE, DUAL WATER
14	M0251015	50	SCREW
15	M0108105	50	CLAMP, TUBE
16	B2150504	50	DRIER
17	10547002	50	CLIP, DRIER
17	67002999	50	SCREW, SM
18	M0102303	50	CLAMP
18	M0220617	50	SCREW
19	12580401	50	TUBE, DRAIN
20	67004092	50	BLOCK, FILTER
21	67004701	50	CLIP, WATERLINE
22	67004101	50	SWEEP, DUAL TUBE
23	67004102	50	TRACK, WATERLINE

MSD2657HES COMPRESOR (SERIE 10)



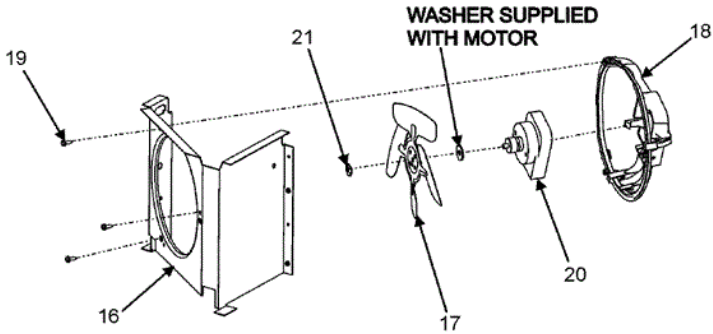
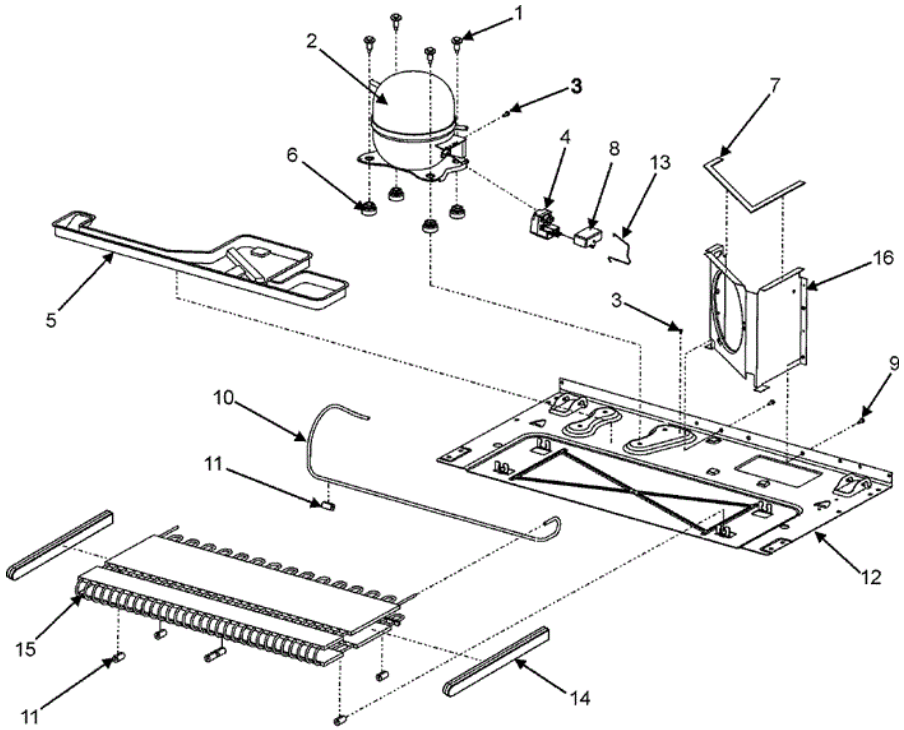
ECM MOTOR



MSD2657HES COMPRESSOR (SERIE 10)

1	M0221523	10	SCREW, SHLDR
2	67002782	10	COMPRESSOR, TPG1380YXA (SXS)
3	M0231604	10	SCREW, TF
4	67003764	10	OVERLOAD/RELAY W/CAPACITOR
5	12579801	10	PAN, DRAIN
6	67003493	10	GROMMET, COMPRESSOR
7	61003210	10	SEAL
8	C8931612	10	CAPACITOR
9	M0238616	10	SCREW, SM
10	67002236	10	TUBE, DISCHARGE
11	12578601	10	GROMMET, CONDENSER
12	67001512	10	PAN, BASE
13	12576801	10	STRAP, BALE
14	67002235	10	BLOCK-EPS COND
15	67003195	10	CONDENSER
16	67001090	10	SHROUD, CONDENSER FAN
17	12587601	10	BLADE, COND FAN
18	67003644	10	BRKT, ECM COND MOTOR
19	M0223816	10	SCREW, TR
20	12628701	10	MOTOR, CONDENSER FAN (ECM)
21	12632601	10	NUT, ECM MOTOR
22	67004097	10	HARNES, MC

MSD2657HES COMPRESSOR (SERIE 50)

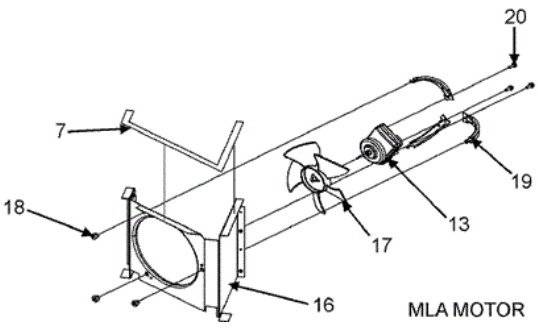
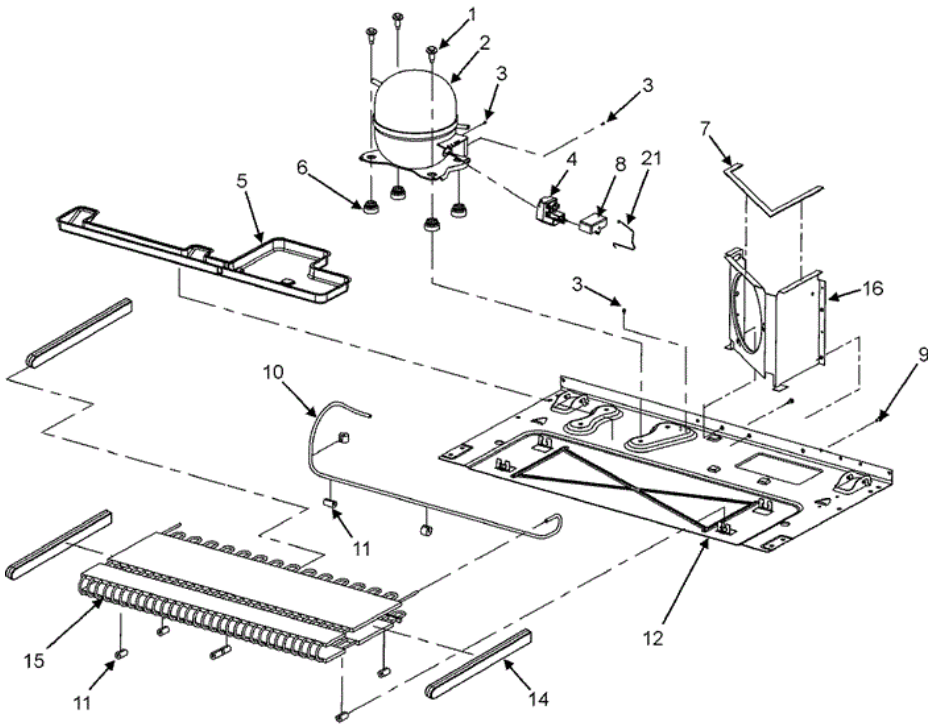




MSD2657HES COMPRESSOR (SERIE 50)

1	M0221523	50	SCREW, SHLDR
2	67002782	50	COMPRESSOR, TPG1380YXA (SXS)
3	M0231604	50	SCREW, TF
4	67003764	50	OVERLOAD/RELAY W/CAPACITOR
5	67004848	50	PAN, DRAIN
6	67003493	50	GROMMET, COMPRESSOR
7	61003210	50	SEAL
8	C8931612	50	CAPACITOR
9	M0238616	50	SCREW, SM
10	67004700	50	TUBE, DISCHARGE
11	12578601	50	GROMMET, CONDENSER
12	67001512	50	PAN, BASE
13	12576801	50	STRAP, BALE
14	67002235	50	BLOCK-EPS COND
15	67004682	50	CONDENSER X
16	67001090	50	SHROUD, CONDENSER FAN
17	12587601	50	BLADE, COND FAN
18	67003644	50	BRKT, ECM COND MOTOR
19	M0223816	50	SCREW, TR
20	12628701	50	MOTOR, CONDENSER FAN (ECM)
21	12632601	50	NUT, ECM MOTOR
22	67004097	50	HARNESS, MC

MSD2657HES COMPRESOR (SERIE 51)



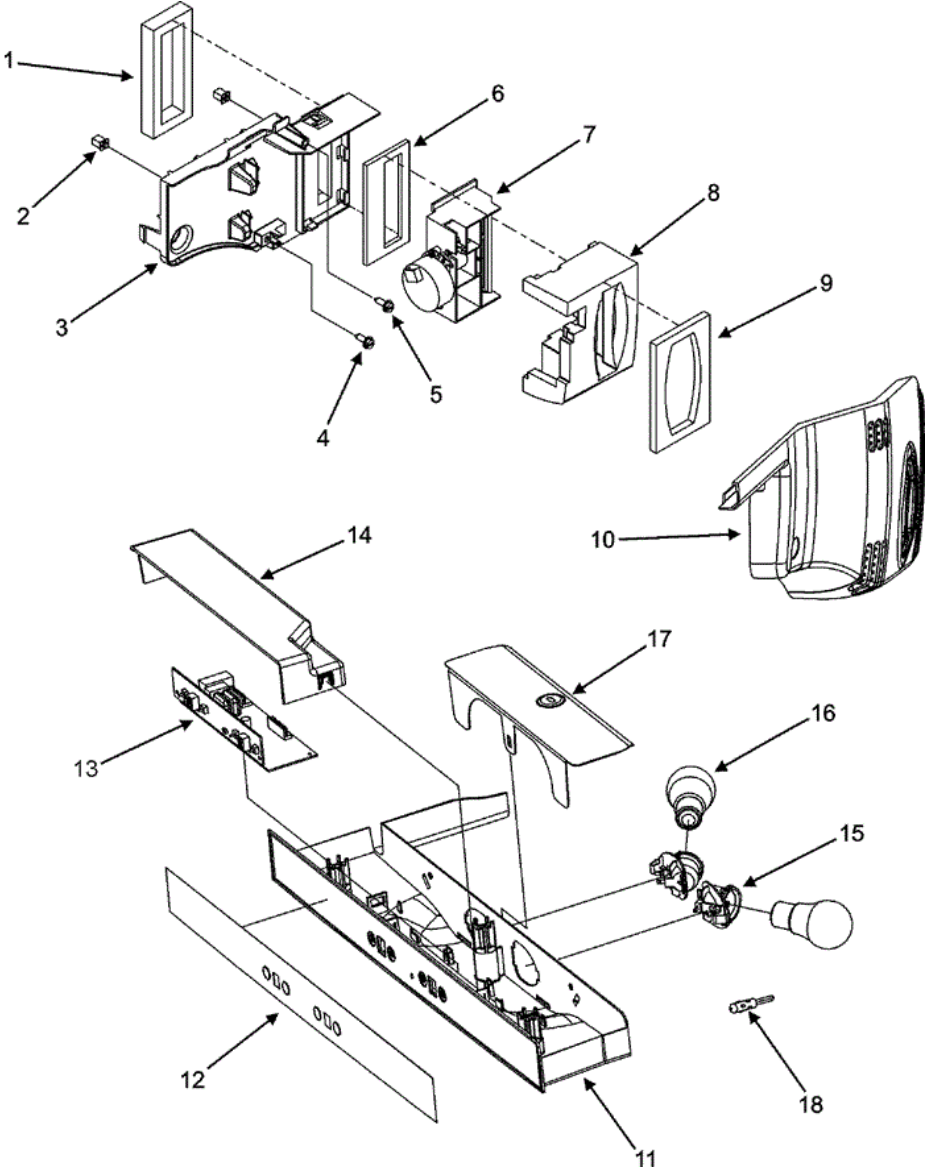
MLA MOTOR



MSD2657HES COMPRESSOR (SERIE 51)

1	M0221523	51	SCREW, SHLDR
2	67002782	51	COMPRESSOR, TPG1380YXA (SXS)
3	M0231604	51	SCREW, TF
4	67003764	51	OVERLOAD/RELAY W/CAPACITOR
5	67004848	51	PAN, DRAIN
6	67003493	51	GROMMET, COMPRESSOR
7	61003210	51	SEAL
8	C8931612	51	CAPACITOR
9	M0238616	51	SCREW, SM
10	67004700	51	TUBE, DISCHARGE
11	12578601	51	GROMMET, CONDENSER
12	67001512	51	PAN, BASE
13	67004432	51	MOTOR, CONDENSER FAN
14	67002235	51	BLOCK-EPS COND
15	67004682	51	CONDENSER X
16	67001090	51	SHROUD, CONDENSER FAN
17	67004952	51	BLADE, COND FAN
18	61004743	51	GROMMET, BRACKET
19	67004953	51	BRACKET, COND MOTOR
20	M0223816	51	SCREW, TR
21	12576801	51	STRAP, BALE
22	67004955	51	HARNESS, MC

MSD2657HES CONTROL (SERIE 10)

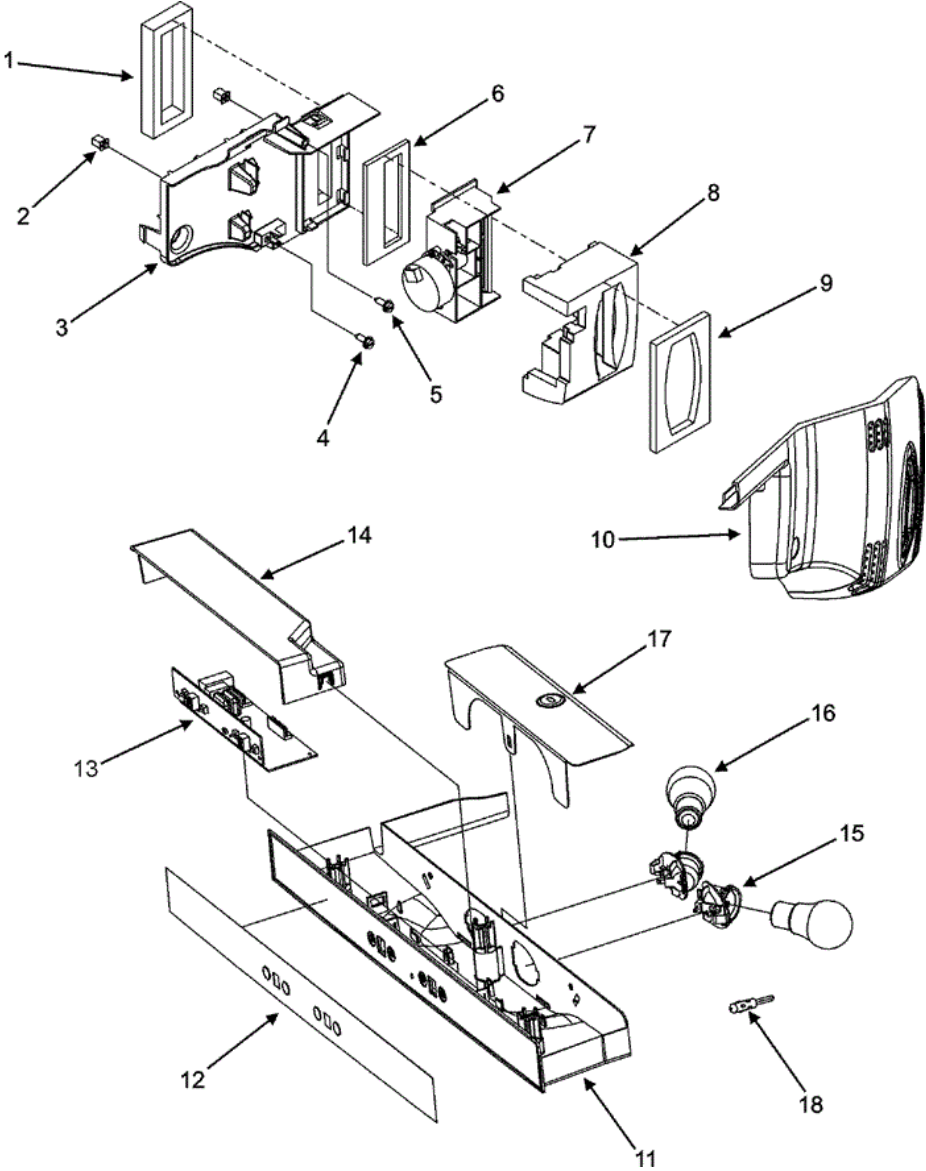




MSD2657HES CONTROL (SERIE 10)

1	67004031	10	GASKET, DAMPER
2	M0580205	10	GROMMET, SCREW
3	67004447	10	BRACKET, ELEC CONTROL
4	M0211018	10	SCREW, SM
5	M0216539	10	SCREW
6	12582801	10	GASKET, DAMPER
7	67003903	10	CONTROL, DAMPER
8	67003828	10	INSUL, DAMPER
9	12582901	10	GASKET, CONTROL COVER
10	67004027	10	COVER, ELEC CONTROL
11	67004479	10	HOUSING, CONTROL
12	67004480	10	OVERLAY
13	12002445	10	CONTROL BOARD KIT (JAZZ)
14	67004454	10	COVER-36`` CONTROL BOARD
15	Y12570701	10	SOCKET, LIGHT
16	67003883	10	BULB, LIGHT
17	67004157	10	REFLECTOR, LIGHT
18	12002355	10	THERMISTOR KIT
19	67002417	10	PLUG, BUTTON
20	67004461	10	HARNESS, CONTROL

MSD2657HES CONTROL (SERIE 50)

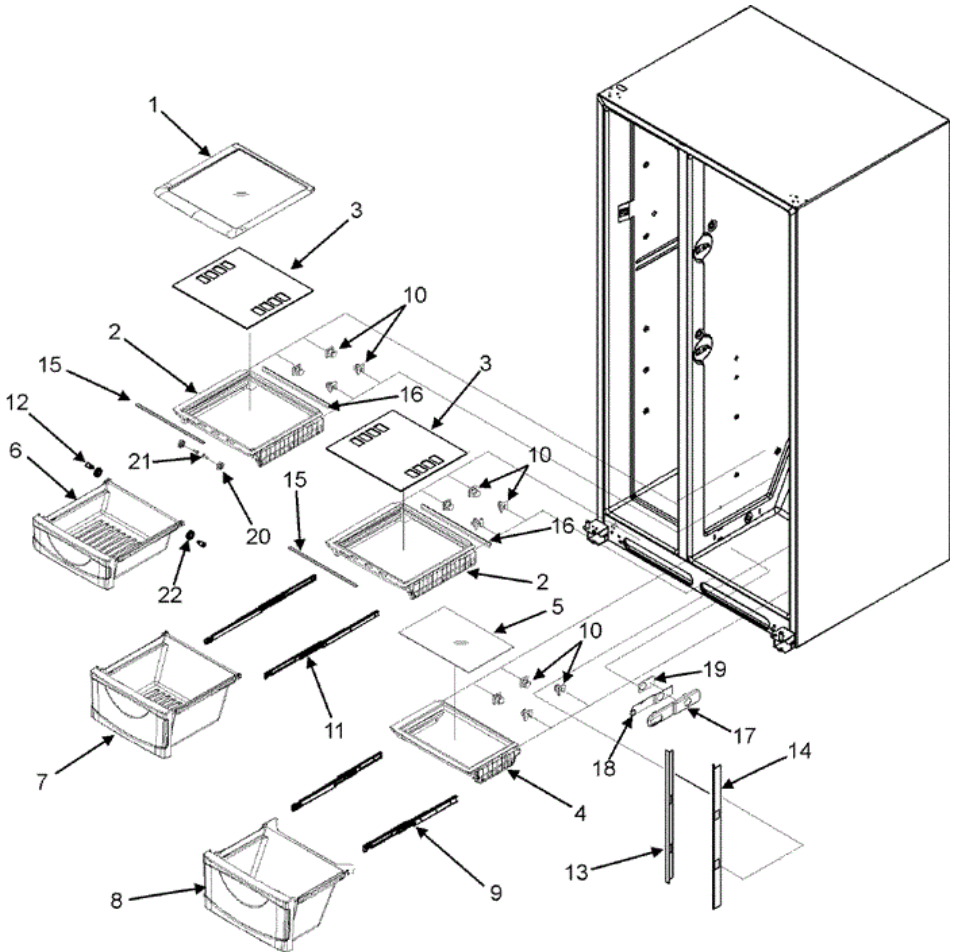




MSD2657HES CONTROL (SERIE 50)

1	67004031	50	GASKET, DAMPER
2	M0580205	50	GROMMET, SCREW
3	67004447	50	BRACKET, ELEC CONTROL
4	M0211018	50	SCREW, SM
5	M0216539	50	SCREW
6	12582801	50	GASKET, DAMPER
7	67003903	50	CONTROL, DAMPER
8	67003828	50	INSUL, DAMPER
9	12582901	50	GASKET, CONTROL COVER
10	67004400	50	COVER, ELEC CONTROL
11	67004479	50	HOUSING, CONTROL
12	67004480	50	OVERLAY
13	12002449	50	BOARD KIT, CONTROL (JAZZ)
14	67004454	50	COVER-36`` CONTROL BOARD
15	Y12570701	50	SOCKET, LIGHT
16	67003883	50	BULB, LIGHT
17	67004157	50	REFLECTOR, LIGHT
18	12002355	50	THERMISTOR KIT
19	67002417	50	PLUG, BUTTON
20	67004461	50	HARNES, CONTROL

MSD2657HES CRISPER (SERIE 10)

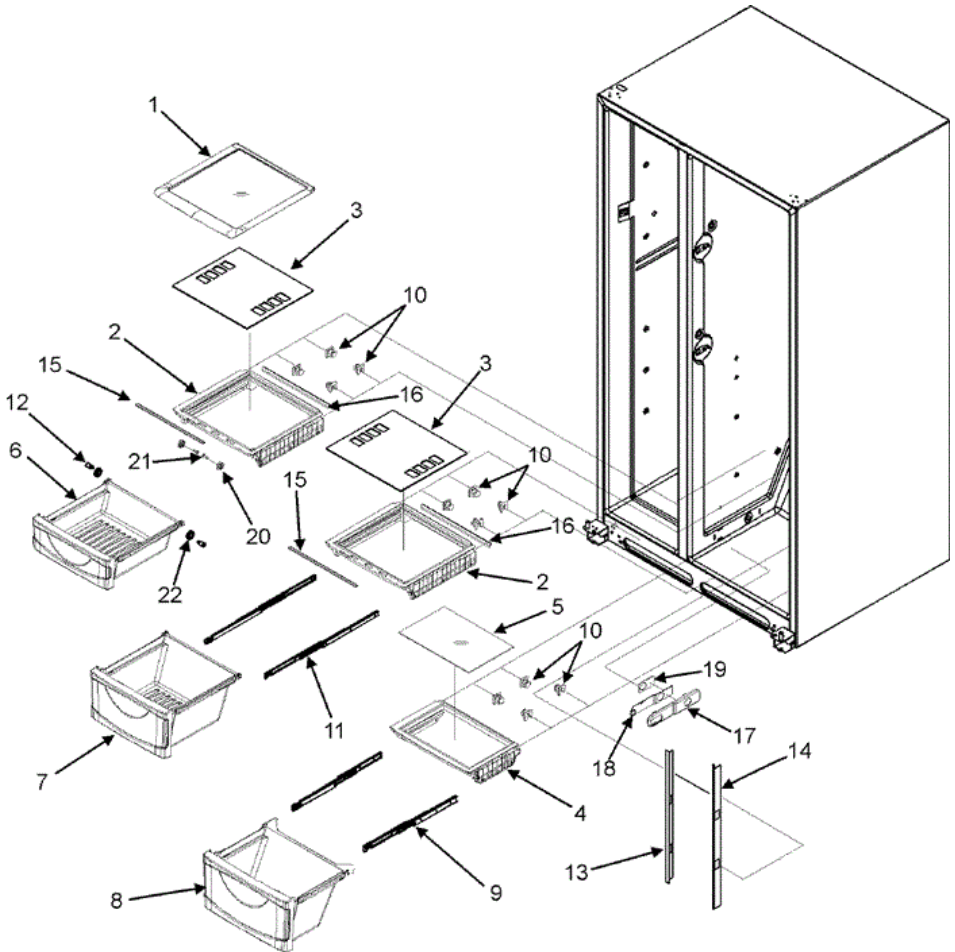




MSD2657HES CRISPER (SERIE 10)

1	67004130	10	SHELF, CRISPER TOP
2	67004140	10	FRAME, CRISPER SHELF
3	67004484	10	BARRIER, CRISPER SHELF
4	67004247	10	FRAME, MEAT SHELF
5	67004132	10	GLASS, MEAT SHELF
6	67004605	10	PAN ASSY., SM CRISPER
7	67004486	10	PAN, LG CRISPER
8	67004487	10	PAN, MEAT
9	67004488	10	GLIDE, MEAT FRAME
9	M0213129	10	SCREW
10	12603701	10	SUPPORT, CRISPER FRAME
11	67004489	10	GLIDE, CRISPER FRAME
11	M0213129	10	SCREW
12	67004174	10	PIN, ROLLER
13	67004170	10	PILLAR (LT)
14	67004171	10	PILLAR (RT)
15	67004248	10	SEAL, CRISPER FRAME (FRT)
16	67004249	10	SEAL, CRISPER FRAME (REAR)
17	67004175	10	HOUSING, TEMP. CONTROL
18	67004176	10	SLIDE, TEMP. CONTROL
19	67004177	10	GASKET, TEMP. CONTROL
20	67004169	10	ROLLER, CRISPER
21	M0238105	10	SCREW, SHOULDER
22	67004133	10	ROLLER, PAN

MSD2657HES CRISPER (SERIE 50)

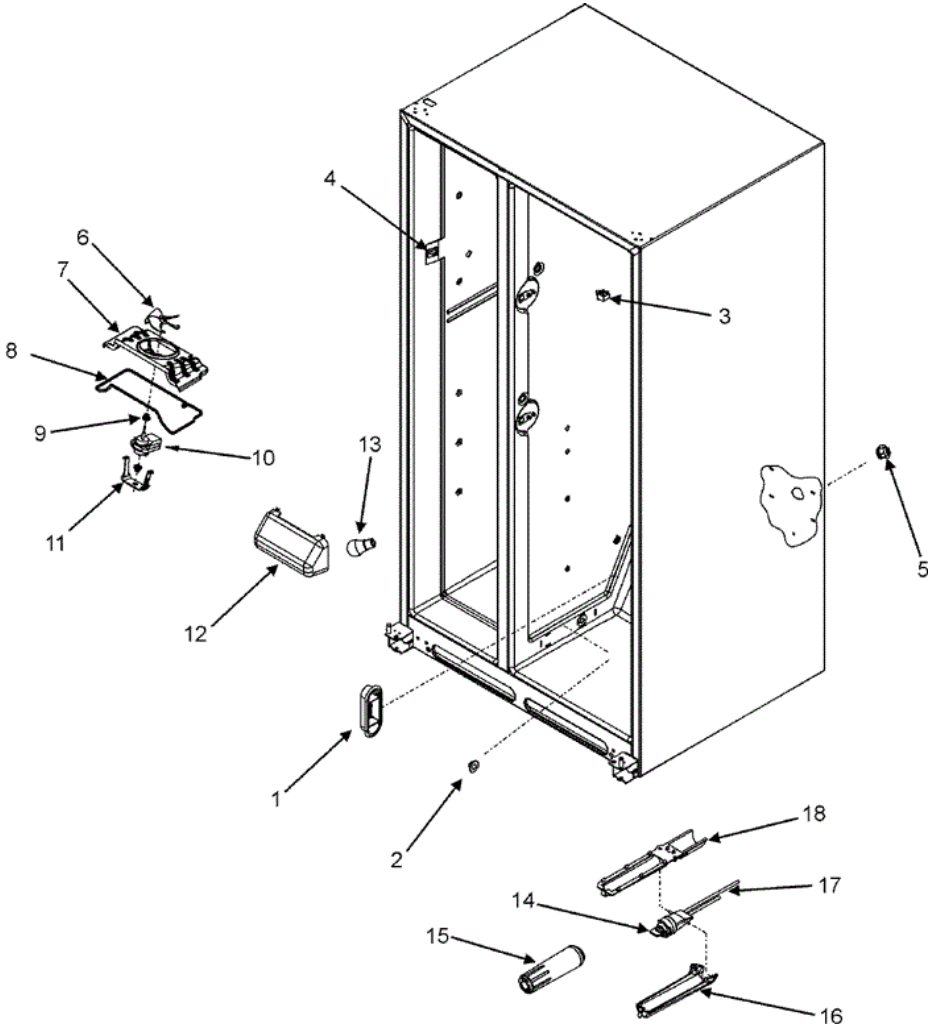




MSD2657HES CRISPER (SERIE 50)

1	67004130	50	SHELF, CRISPER TOP
2	67004905	50	FRAME, CRISPER SHELF
3	67004484	50	BARRIER, CRISPER SHELF
4	67004247	50	FRAME, MEAT SHELF
5	67004132	50	GLASS, MEAT SHELF
6	67004485	50	PAN, SM CRISPER
6	67005819	51	PAN, SM CRISPER
7	67004486	50	PAN, LG CRISPER
7	67005815	51	PAN, LG CRISPER
8	67004487	50	PAN, MEAT
8	67005752	51	PAN, MEAT
9	67004488	50	GLIDE, MEAT FRAME
9	M0213129	50	SCREW
9	67005898	51	GLIDE, MEAT FRAME (W/BUMPER)
10	12603701	50	SUPPORT, CRISPER FRAME
11	67004489	50	GLIDE, CRISPER FRAME
11	M0213129	50	SCREW
11	67005620	51	GLIDE, CRISP FRAME (W/BUMPER)
12	67004174	50	PIN, ROLLER
13	67004170	50	PILLAR (LT)
14	67004171	50	PILLAR (RT)
15	67004889	50	SEAL, 36`` CRISPER FRONT
16	67004249	50	SEAL, CRISPER FRAME (REAR)
17	67004175	50	HOUSING, TEMP. CONTROL
18	67004176	50	SLIDE, TEMP. CONTROL
19	67004177	50	GASKET, TEMP. CONTROL
20	67004169	50	ROLLER, CRISPER
21	M0238105	50	SCREW, SHOULDER
22	67004133	50	ROLLER, PAN

MSD2657HES EVAP/FAN (SERIE 10)

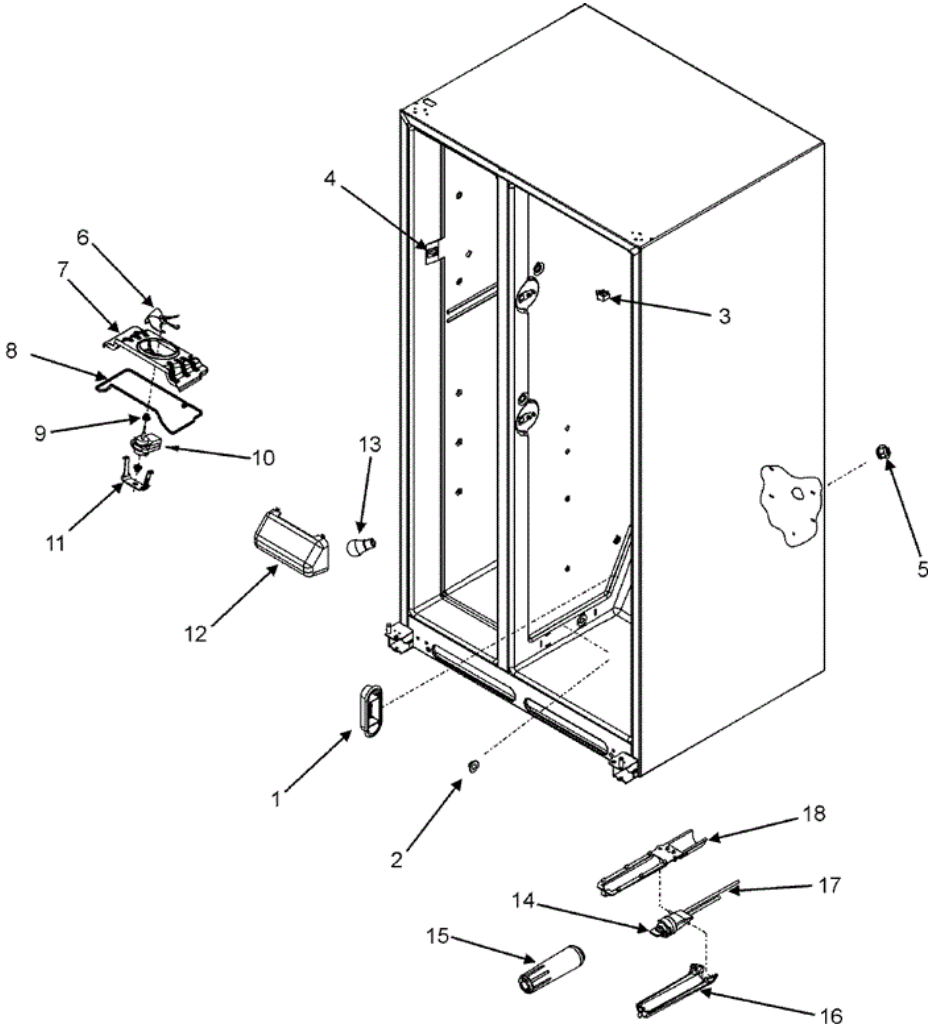




MSD2657HES EVAP/FAN (SERIE 10)

1	12634801	10	GRILLE, RETURN AIR
2	67003018	10	PLUG, AIR TUNNEL
3	12466104	10	SWITCH, REF LIGHT
4	12466103	10	SWITCH, LIGHT
5	Y12570701	10	SOCKET, LIGHT
6	12217201	10	FAN, EVAPORATOR
7	67004253	10	SHROUD, EVAP
8	67001508	10	GASKET
9	67002780	10	GROMMET, FAN MOTOR
10	67003636	10	MOTOR, EVAP FAN
11	67003083	10	CLIP
12	67001507	10	SHIELD, CRISPER LIGHT
13	67003883	10	BULB, LIGHT
14	67003146	10	PLUG, BYPASS
15	67003591	10	FILTER, WATER SINGLE
16	12568001	10	COVER, FILTER
17	67004089	10	HEAD, WATER FILTER (W/TUBING)
18	12688503	10	PLATE, FILTER BACKING

MSD2657HES EVAP/FAN (SERIE 50)

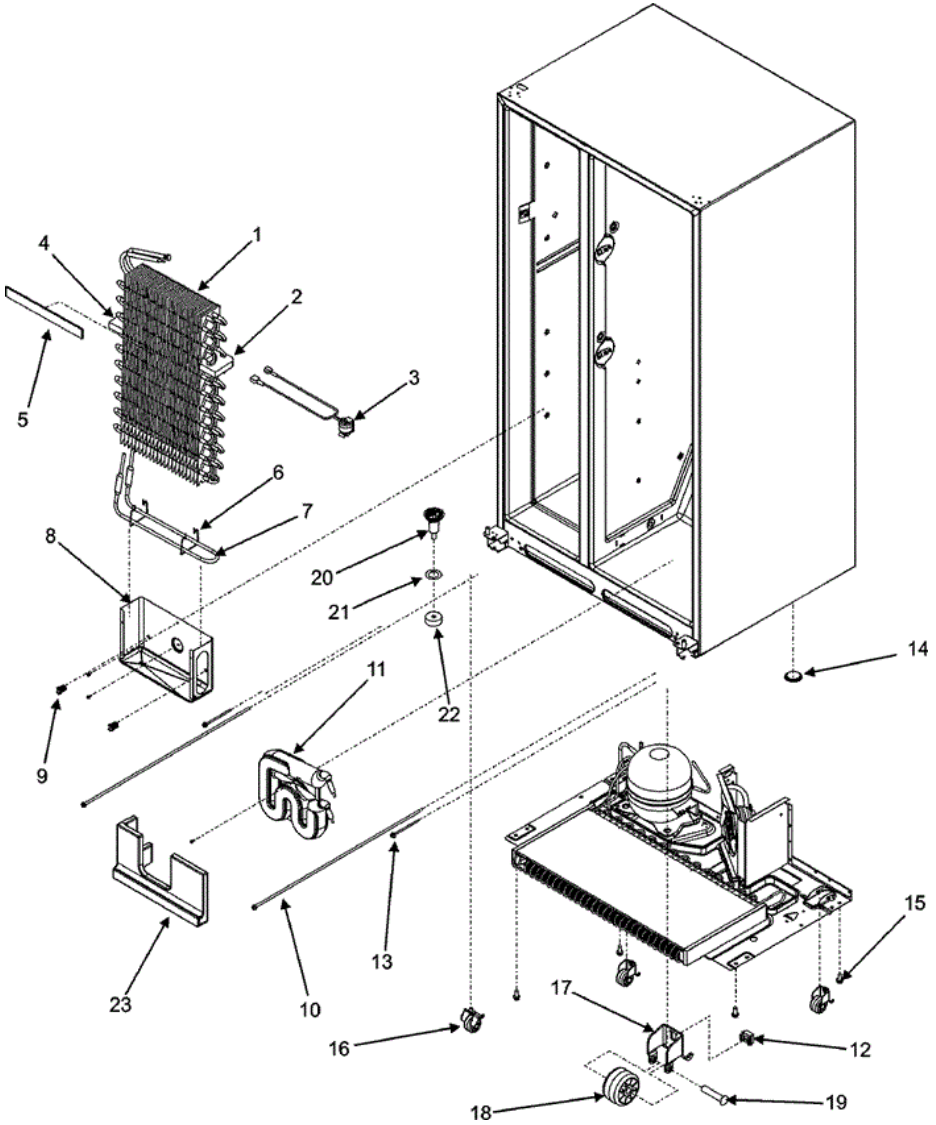




MSD2657HES EVAP/FAN (SERIE 50)

1	12634801	50	GRILLE, RETURN AIR
2	67003018	50	PLUG, AIR TUNNEL
3	12466104	50	SWITCH, REF LIGHT
4	12466103	50	SWITCH, LIGHT
5	Y12570701	50	SOCKET, LIGHT
6	12217201	50	FAN, EVAPORATOR
7	67004253	50	SHROUD, EVAP
8	67001508	50	GASKET
9	67002780	50	GROMMET, FAN MOTOR
10	67003636	50	MOTOR, EVAP FAN
11	67003083	50	CLIP
12	67001507	50	SHIELD, CRISPER LIGHT
13	67003883	50	BULB, LIGHT
14	67003146	50	PLUG, BYPASS
15	67003591	50	FILTER, WATER SINGLE
16	12568001	50	COVER, FILTER
17	67004106	50	HEAD, WATER FILTER (W/TUBING)
18	12688503	50	PLATE, FILTER BACKING

MSD2657HES EVAPORATOR (SERIE 10)

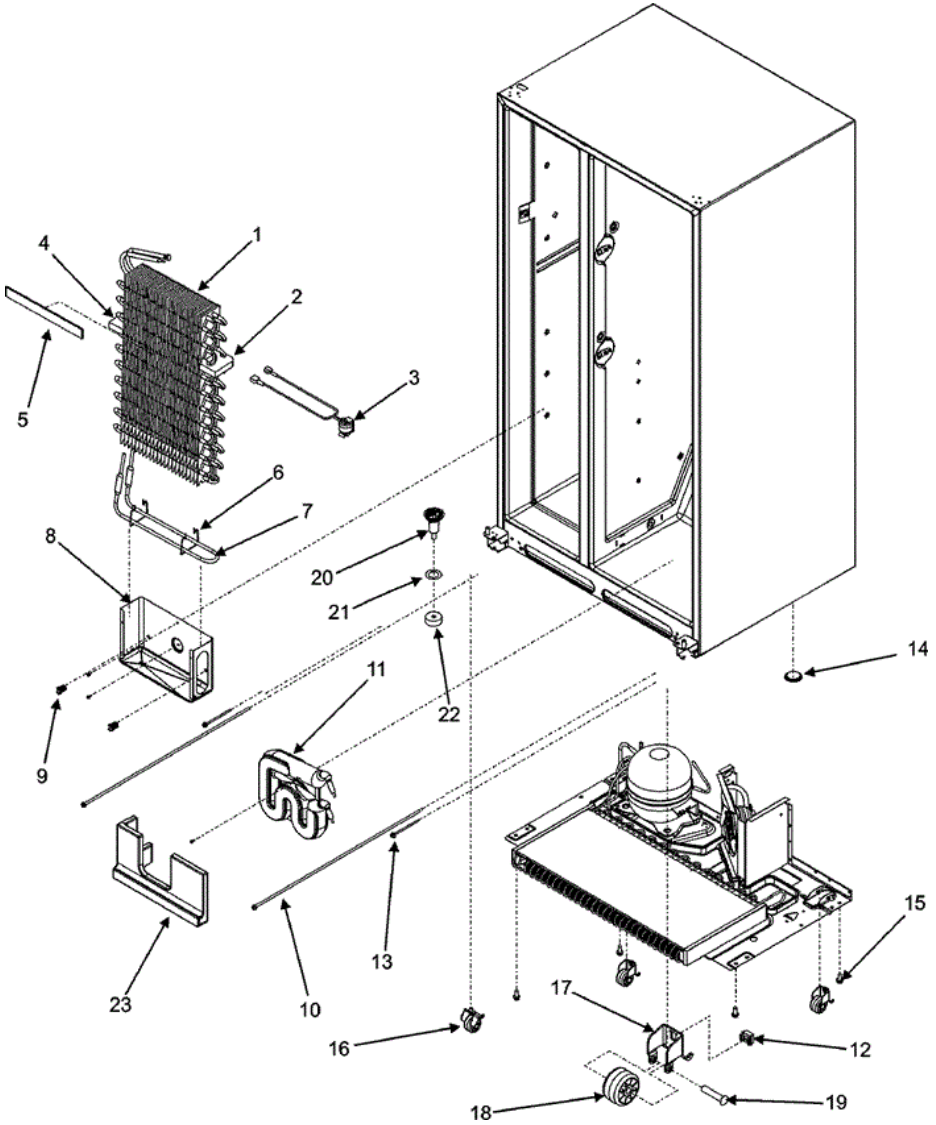




MSD2657HES EVAPORATOR (SERIE 10)

1	12001940	10	EVAP KIT (SXS)
2	12590102	10	BLOCK, AIR COIL (RT)
3	67003964	10	THERMOSTAT, DEFROST
4	12590101	10	BLOCK, AIR COIL (LT)
5	67002226	10	GASKET, FOAM
6	10428101	10	CLIP, EVAP HEATER
7	67004188	10	HEATER, EVAP
8	12558101WD	10	TRAY, EVAP DRIP
8	M0224416	10	SCREW, SM
9	10623003	10	CLIP, EVAPORATOR
10	10093313	10	SCREW, ADJUSTING
11	67003504	10	TANK, WATER
11	M0211018	10	SCREW, SM
12	M0286708	10	NUT, SPEED
13	12606102	10	BOLT, ROLLER ADJ
14	A3076901	10	PLUG, BUTTON
15	67001510	10	SCREW
16	67002227	10	ROLLER BRACKET ASSY
17	12456801	10	BRACKET, ROLLER
18	10450602	10	ROLLER
19	M1205302	10	RIVET
20	12456901	10	FUNNEL, DRAIN
21	M0500703	10	SEAL, O RING
22	B8381501	10	GASKET, DRAIN TUBE
23	67004309	10	BLOCK, WATER TANK
24	67004189	10	HEATER/HARNESS, FRZ

MSD2657HES EVAPORATOR (SERIE 50)

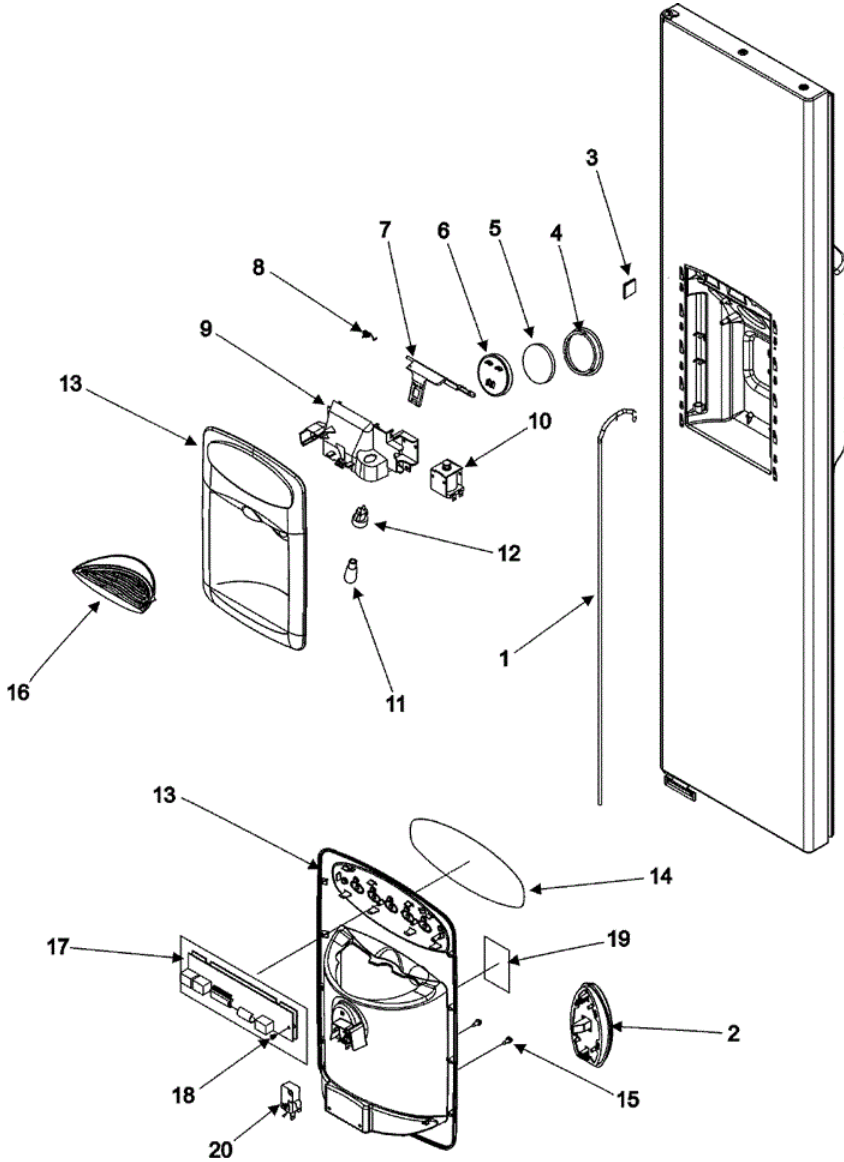




MSD2657HES EVAPORATOR (SERIE 50)

1	12001940	50	EVAP KIT (SXS)
2	12590102	50	BLOCK, AIR COIL (RT)
3	67003964	50	THERMOSTAT, DEFROST
4	12590101	50	BLOCK, AIR COIL (LT)
5	67002226	50	GASKET, FOAM
6	10428101	50	CLIP, EVAP HEATER
7	67004188	50	HEATER, EVAP
8	12558101WD	50	TRAY, EVAP DRIP
8	M0224416	50	SCREW, SM
9	10623003	50	CLIP, EVAPORATOR
10	10093313	50	SCREW, ADJUSTING
11	67003504	50	TANK, WATER
11	M0211018	50	SCREW, SM
12	M0286708	50	NUT, SPEED
13	12606102	50	BOLT, ROLLER ADJ
14	A3076901	50	PLUG, BUTTON
15	67001510	50	SCREW
16	67002227	50	ROLLER BRACKET ASSY
17	12456801	50	BRACKET, ROLLER
18	10450602	50	ROLLER
19	M1205302	50	RIVET
20	12456901	50	FUNNEL, DRAIN
21	M0500703	50	SEAL, O RING
22	B8381501	50	GASKET, DRAIN TUBE
23	67004309	50	BLOCK, WATER TANK
24	67004189	50	HEATER/HARNESS, FRZ

MSD2657HES FOUNTAIN (SERIE 10)

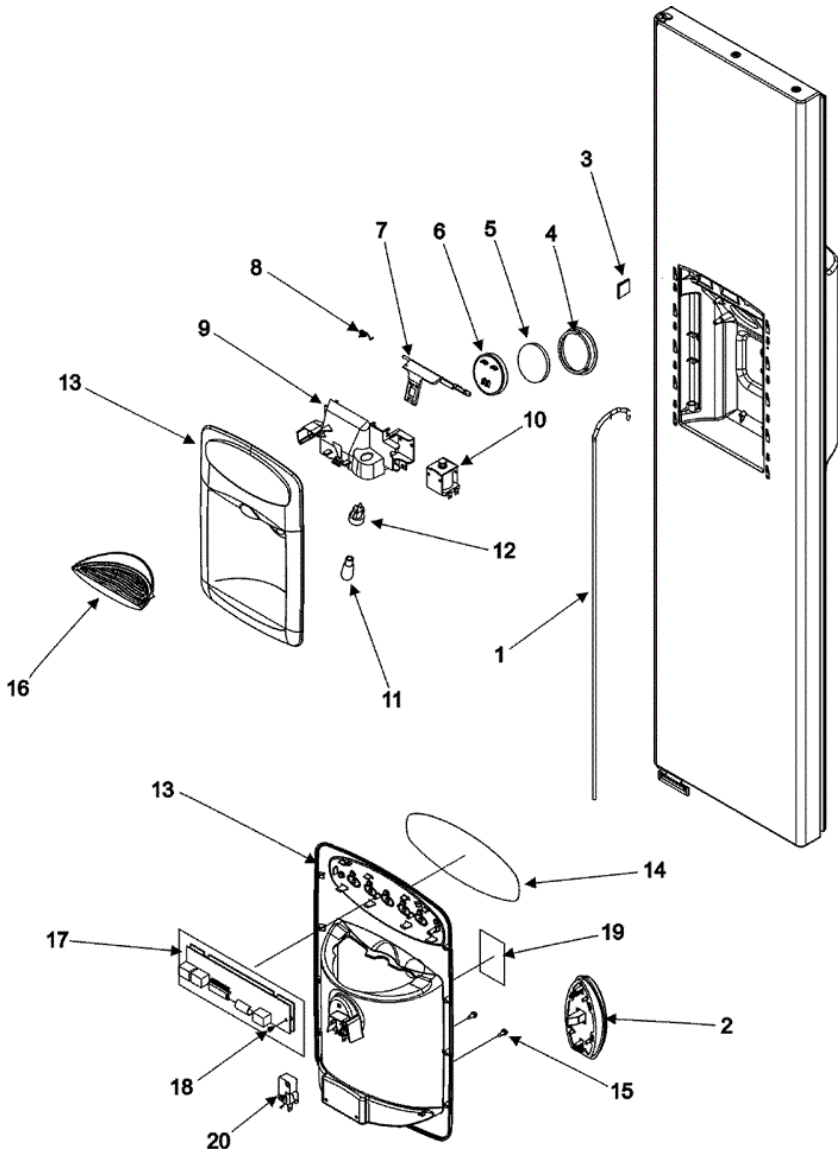




MSD2657HES FOUNTAIN (SERIE 10)

1	67004118	10	WATERLINE ASSY.
1	M0108105	10	CLAMP, TUBE
2	12598902B	10	ACTR PAD FRAME ASSY. (BLK)
3	M0104102	10	CLIP, CORD
4	12665101	10	SEAL, ICE CHUTE
5	12563401	10	INSUL, CHUTE DOORXX
6	12562701	10	DOOR, ICE CHUTE
7	67004119	10	HINGE, ICE CHUTE
8	12565502	10	SPRING, CHUTE DR
9	67004120	10	EXTENSION, ICE CHUTE
9	M0238642	10	SCREW, SM
10	12575401	10	SOLENOID
10	M0200314	10	SCREW, MACH
11	67001316	10	BULB, LIGHT
12	12617501	10	SOCKET, LIGHT
13	67004284	10	FACADE, 5 BUTTON (BLK)
14	67004151	10	INSERT, FACADE (BLK)
15	M0223230	10	SCREW, MOUNTING
16	Y67003722	10	TRAY, SUMP (BLK)
17	67003817	10	BOARD, CONTROL
18	M0237902	10	SCREW, HI/LO
19	67003351	10	LABEL, DISPENSER
20	12575501	10	SWITCH, LIMIT

MSD2657HES FOUNTAIN (SERIE 50)

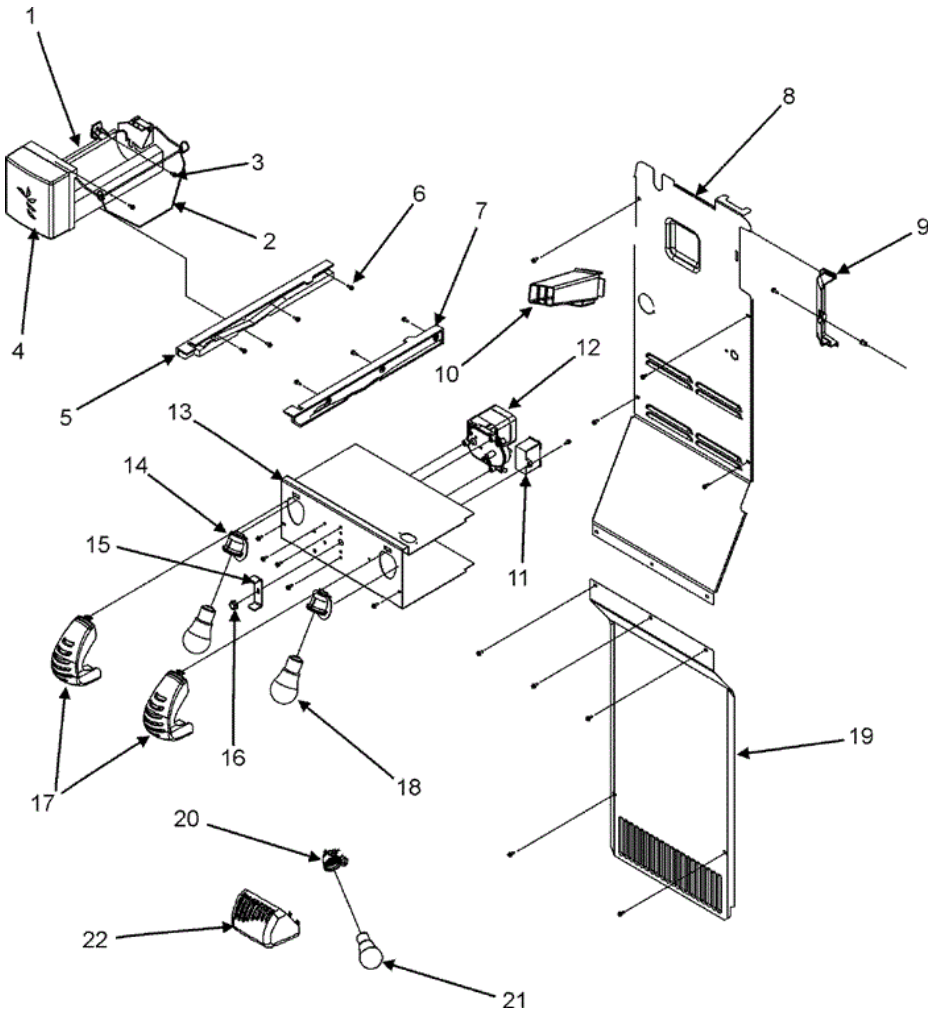




MSD2657HES FOUNTAIN (SERIE 50)

1	67004118	50	WATERLINE ASSY.
1	M0108105	50	CLAMP, TUBE
2	12598902B	50	ACTR PAD FRAME ASSY. (BLK)
3	M0104102	50	CLIP, CORD
4	12665101	50	SEAL, ICE CHUTE
5	12563401	50	INSUL, CHUTE DOORXX
6	12562701	50	DOOR, ICE CHUTE
7	67004119	50	HINGE, ICE CHUTE
8	12565502	50	SPRING, CHUTE DR
9	67004120	50	EXTENSION, ICE CHUTE
9	M0238642	50	SCREW, SM
10	12575401	50	SOLENOID
10	M0200314	50	SCREW, MACH
11	67001316	50	BULB, LIGHT
12	12617501	50	SOCKET, LIGHT
13	67004284	50	FACADE, 5 BUTTON (BLK)
14	67004151	50	INSERT, FACADE (BLK)
15	M0223230	50	SCREW, MOUNTING
16	Y67003722	50	TRAY, SUMP (BLK)
17	67003817	50	BOARD, CONTROL
18	M0237902	50	SCREW, HI/LO
19	67003351	50	LABEL, DISPENSER
20	12575501	50	SWITCH, LIMIT

**MSD2657HES FREEZER
 COMPARTMENT (SERIE 10)**

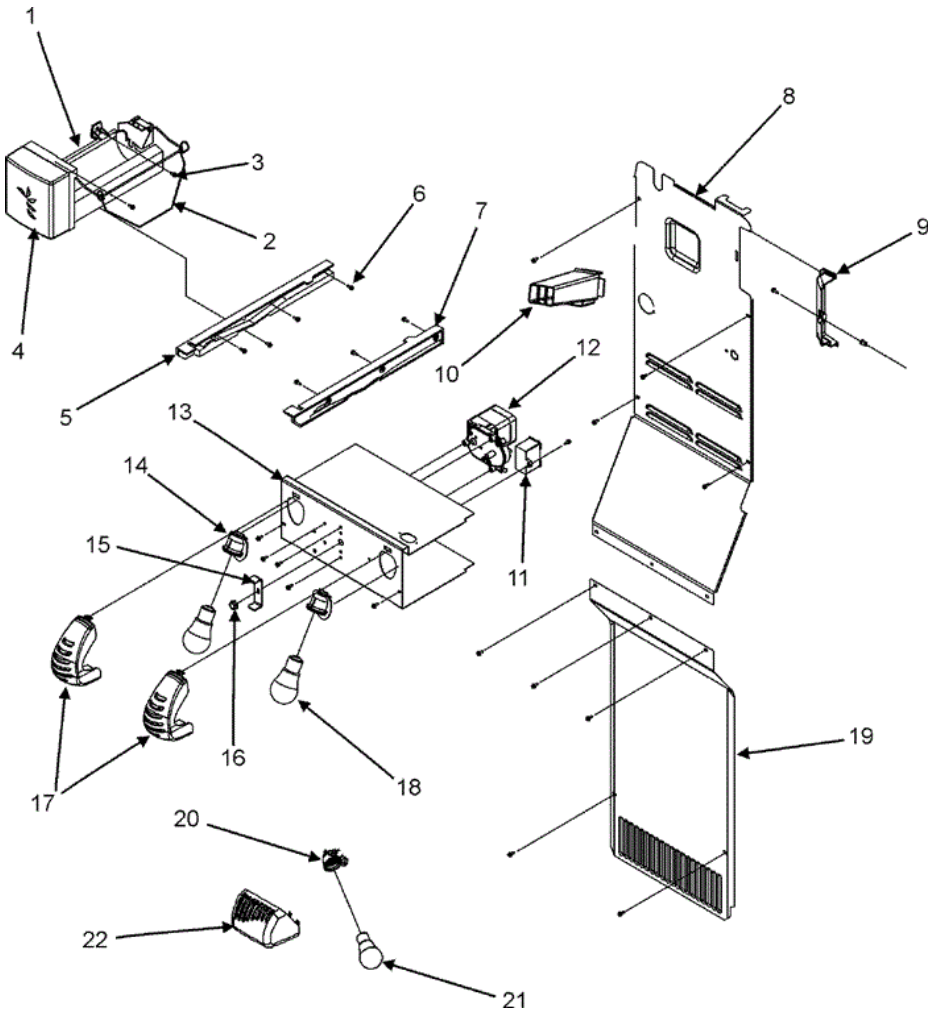




**MSD2657HES FREEZER
COMPARTMENT (SERIE 10)**

1	61005508	10	ICE MAKER ASSY.
1	67002823	10	BRKT, ICE MAKER
2	12671401	10	ASSY, IM ARM/WIRE
3	M0211019	10	SCREW, SM
4	12582501	10	COVER, ICE MAKER
5	67004322	10	GLIDE, FRZ. (LT)
6	M0213530	10	SCREW, SM (STNLS)
7	67004323	10	GLIDE, FRZ. (RT)
8	67003577	10	BACK INNER FZ 26
8	M0238616	10	SCREW, SM
9	12583101	10	COVER, SUPPLY AIR
9	M0238616	10	SCREW, SM
9	M0580205	10	GROMMET, SCREW
10	67003578	10	DUCT, QUICK ICE 26
11	C8931612	10	CAPACITOR
11	M0226528	10	SCREW, TC
12	67003226	10	MOTOR, AUGER
12	67004961	10	HARNESS, AUGER MOTOR
12	M0226528	10	SCREW, TC
13	12561701	10	COVER, AUGER MOTOR
13	M0238616	10	SCREW, SM
14	Y12570701	10	SOCKET, LIGHT
15	10114901	10	DRIVER (ICE MAKER)
16	M0223101	10	NUT, LOCKING
17	67003926	10	SHIELD, FZ LIGHT
18	67003883	10	BULB, LIGHT
19	67004192	10	COVER, EVAP
19	M0238616	10	SCREW, SM
20	Y12570701	10	SOCKET, LIGHT
21	67003883	10	BULB, LIGHT
22	67003829	10	SHIELD, FZ LIGHT

MSD2657HES FREEZER COMPARTMENT (SERIE 50)

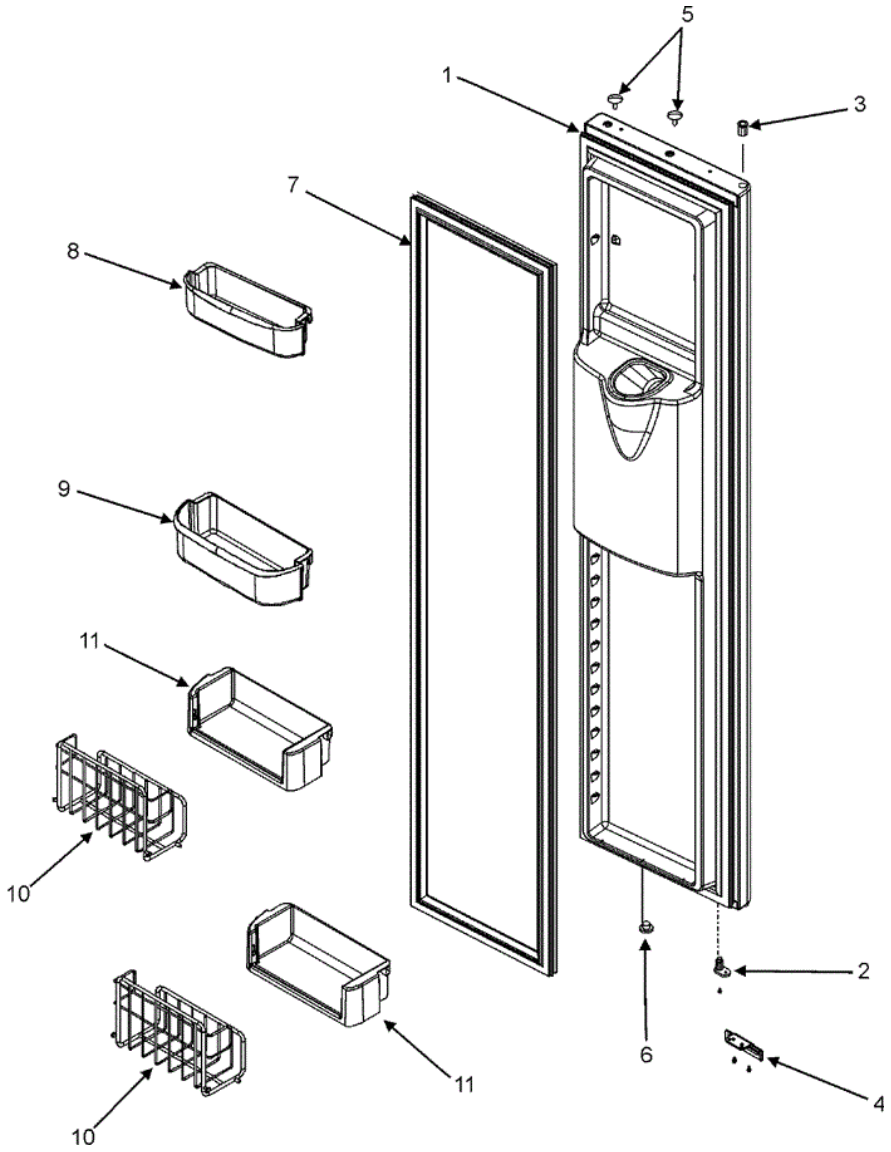




MSD2657HES FREEZER COMPARTMENT (SERIE 50)

1	61005508	50	ICE MAKER ASSY.
1	67002823	50	BRKT, ICE MAKER
2	12671401	50	ASSY, IM ARM/WIRE
3	M0211019	50	SCREW, SM
4	12582501	50	COVER, ICE MAKER
5	67004322	50	GLIDE, FRZ. (LT)
6	M0213530	50	SCREW, SM (STNLS)
7	67004323	50	GLIDE, FRZ. (RT)
8	67003577	50	BACK INNER FZ 26
8	M0238616	50	SCREW, SM
9	12583101	50	COVER, SUPPLY AIR
9	M0238616	50	SCREW, SM
9	M0580205	50	GROMMET, SCREW
10	67003578	50	DUCT, QUICK ICE 26
11	C8931612	50	CAPACITOR
11	M0226528	50	SCREW, TC
12	67003226	50	MOTOR, AUGER
12	67004961	50	HARNESS, AUGER MOTOR
12	M0226528	50	SCREW, TC
13	12561701	50	COVER, AUGER MOTOR
13	M0238616	50	SCREW, SM
14	Y12570701	50	SOCKET, LIGHT
15	10114901	50	DRIVER (ICE MAKER)
16	M0223101	50	NUT, LOCKING
17	67004433	50	SHIELD, FZ LIGHT
18	67003883	50	BULB, LIGHT
19	67004192	50	COVER, EVAP
19	M0238616	50	SCREW, SM
20	Y12570701	50	SOCKET, LIGHT
21	67003883	50	BULB, LIGHT
22	67004135	50	SHIELD, FZ LIGHT

MSD2657HES FREEZER DOOR (SERIE 10)

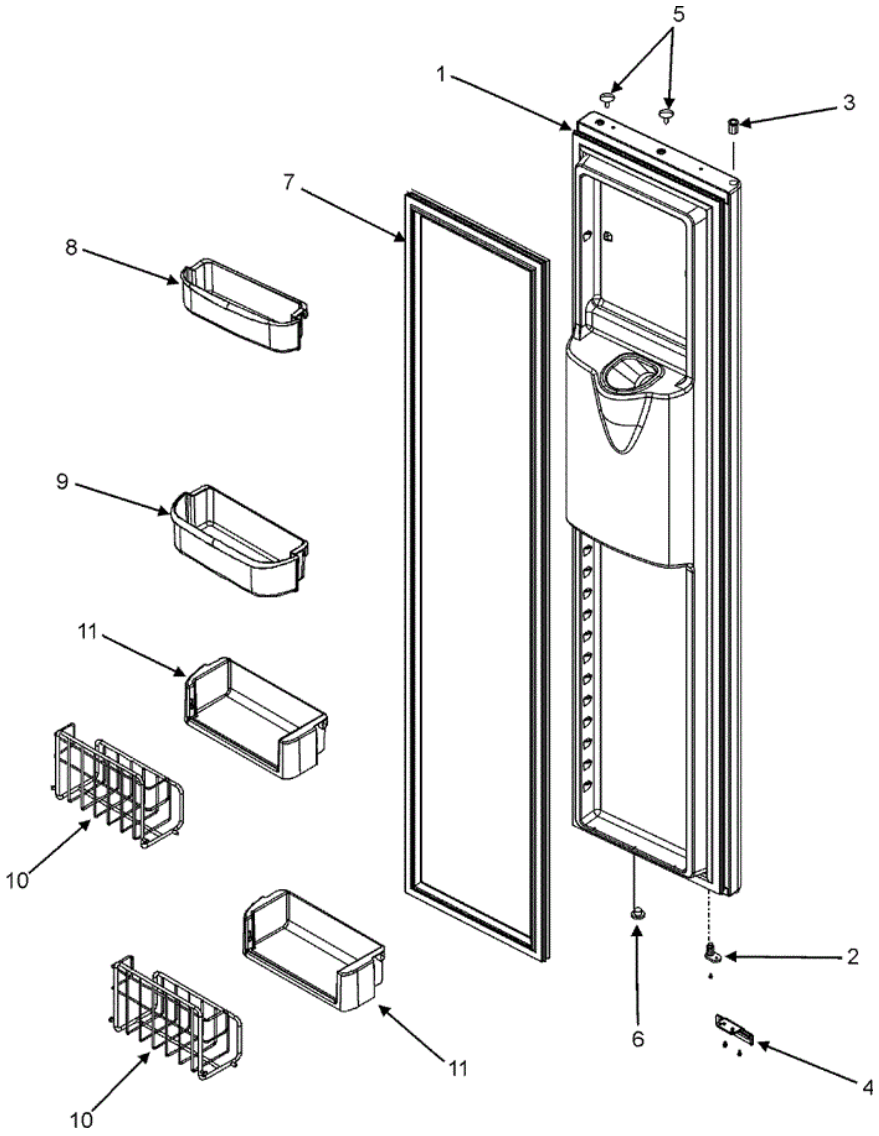




**MSD2657HES FREEZER DOOR (SERIE
10)**

1	67004138	10	DOOR ASSY., FRZ. FOAM (STNLS)
2	12571301B	10	CLOSURE, DOOR (BLK)
2	M0220432	10	SCREW, TC
3	12395501B	10	BUSHING, DOOR (BLK)
4	12636401B	10	STOP, DOOR (BLK)
4	M0211018	10	SCREW, SM
5	M0311607	10	PLUG, BUTTON (GRY)
6	A3080001	10	PLUG, BUTTON (BLK)
7	67003967	10	GASKET, FRZ. DOOR (BLK)
8	12556901	10	BUCKET, UPR FZ DR
9	12557501	10	BUCKET, LWR FZ DR
10	67004474	10	BASKET, TILT
11	67004475	10	FRAME, TILT BASKET

MSD2657HES FREEZER DOOR (SERIE 50)

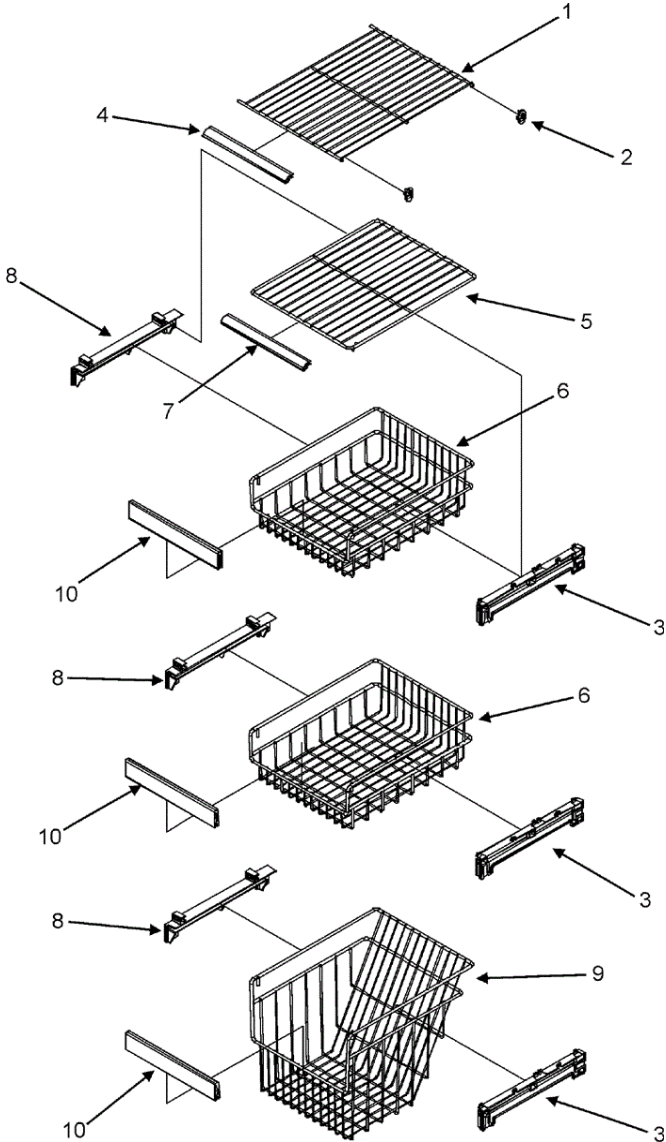




MSD2657HES FREEZER DOOR (SERIE 50)

1	67003989	50	DOOR ASSY., FRZ. FOAM (STNLS)
2	12571301B	50	CLOSURE, DOOR (BLK)
2	M0220432	50	SCREW, TC
3	12395501B	50	BUSHING, DOOR (BLK)
4	12636401B	50	STOP, DOOR (BLK)
4	M0211018	50	SCREW, SM
5	M0311607	50	PLUG, BUTTON (GRY)
6	A3080001	50	PLUG, BUTTON (BLK)
7	67003967	50	GASKET, FRZ. DOOR (BLK)
8	12556901	50	BUCKET, UPR FZ DR
9	12557501	50	BUCKET, LWR FZ DR
10	67004474	50	BASKET, TILT
11	67004475	50	FRAME, TILT BASKET

**MSD2657HES FREEZER SHELVES
(SERIE 10)**

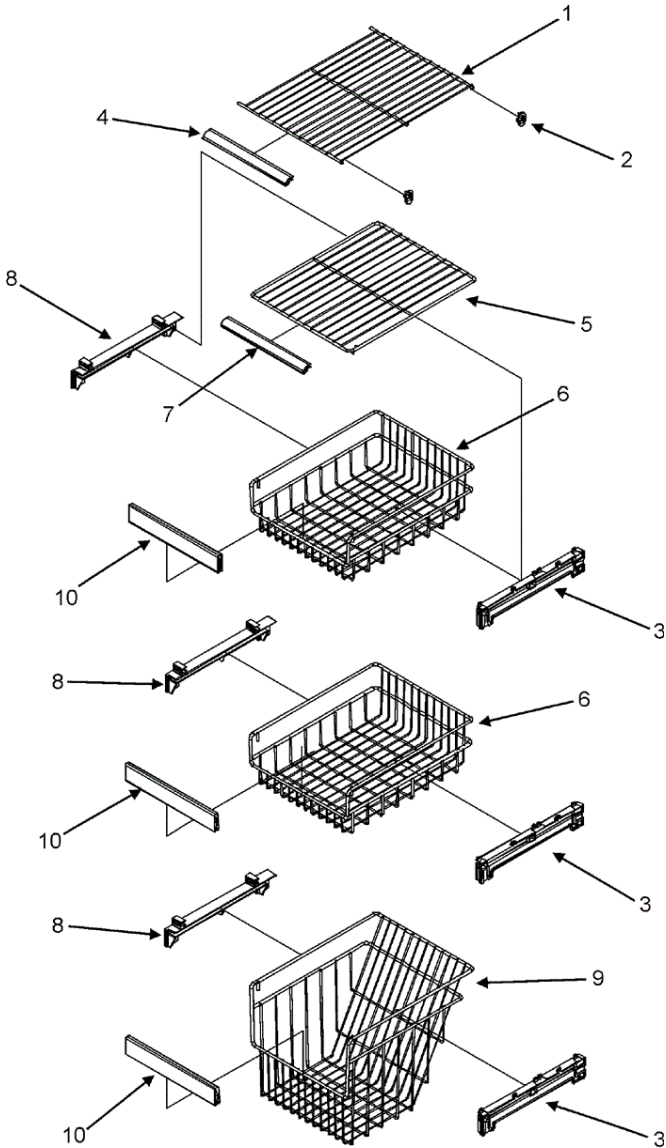




**MSD2657HES FREEZER SHELVES
(SERIE 10)**

1	67004354	10	SHELF, UPR FRZ.
2	C8973801	10	SUPPORT, FRZ SHELF
3	67004179	10	RAIL, BASKET (RT)
4	12314102	10	TRIM, BASKET/SHELF
5	67004250	10	SHELF, LWR FZ
6	67004606	10	BASKET, SM FRZ
7	12314101	10	TRIM, BASKET/SHELF
8	67004182	10	RAIL, BASKET (LT)
9	67004251	10	BASKET, LWR FRZ
10	67004252	10	TRIM, FZ BASKET

**MSD2657HES FREEZER SHELVES
(SERIE 50)**

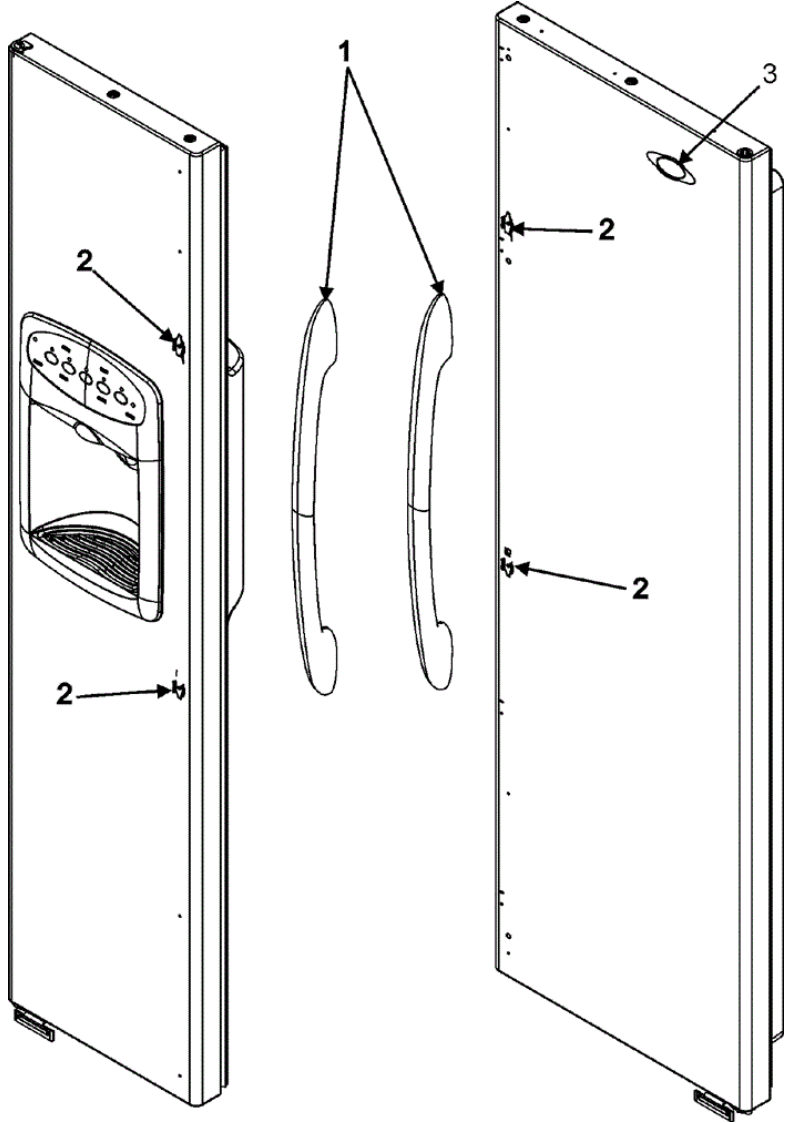




**MSD2657HES FREEZER SHELVES
(SERIE 50)**

1	67004354	50	SHELF, UPR FRZ.
2	C8973801	50	SUPPORT, FRZ SHELF
3	67004179	50	RAIL, BASKET (RT)
4	12314102	50	TRIM, BASKET/SHELF
5	67004690	50	SHELF, LWR FRZ.
6	67004606	50	BASKET, SM FRZ
7	12314101	50	TRIM, BASKET/SHELF
8	67004182	50	RAIL, BASKET (LT)
9	67004251	50	BASKET, LWR FRZ
10	67004252	50	TRIM, FZ BASKET

MSD2657HES HANDLES (SERIE 10)

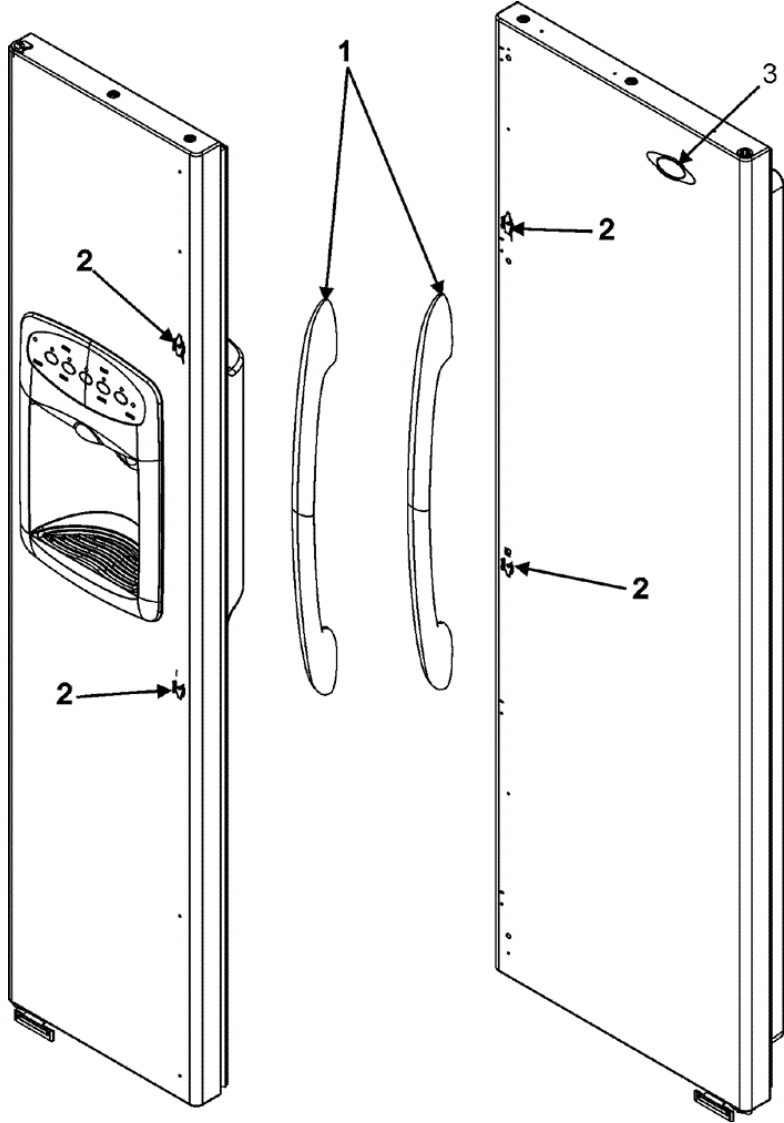




MSD2657HES HANDLES (SERIE 10)

1	67004056	10	HANDLE ASSY., DOOR (STNLS)
1	67004112	10	CARD, HANDLE RELEASE SS & WS
2	67003337	10	CLIP, HANDLE BUTTERFLY
2	67003800	10	SCREW, SM NO.10
3	67003877	10	NAMEPLATE

MSD2657HES HANDLES (SERIE 50)

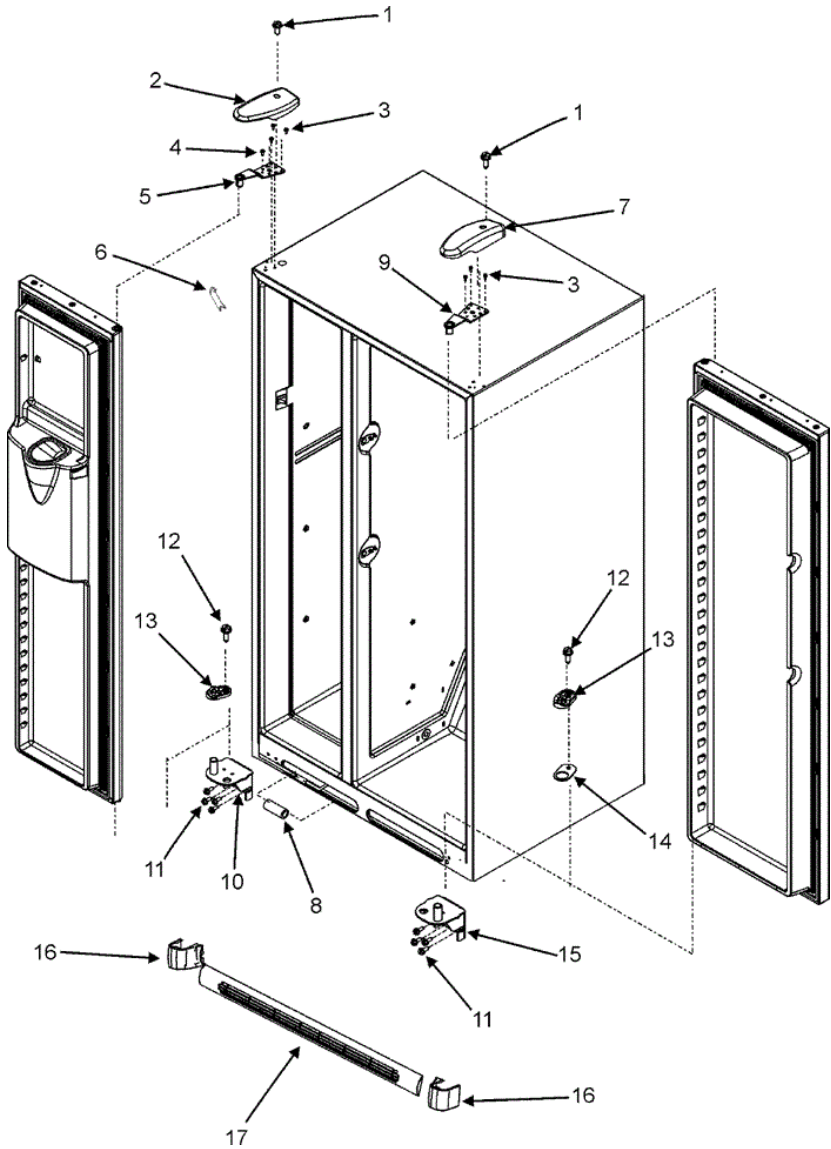




MSD2657HES HANDLES (SERIE 50)

1	67004056	50	HANDLE ASSY., DOOR (STNLS)
1	67004112	50	CARD, HANDLE RELEASE SS & WS
2	67003337	50	CLIP, HANDLE BUTTERFLY
2	67003800	50	SCREW, SM NO.10
3	67003877	50	NAMEPLATE

MSD2657HES HINGES (SERIE 10)

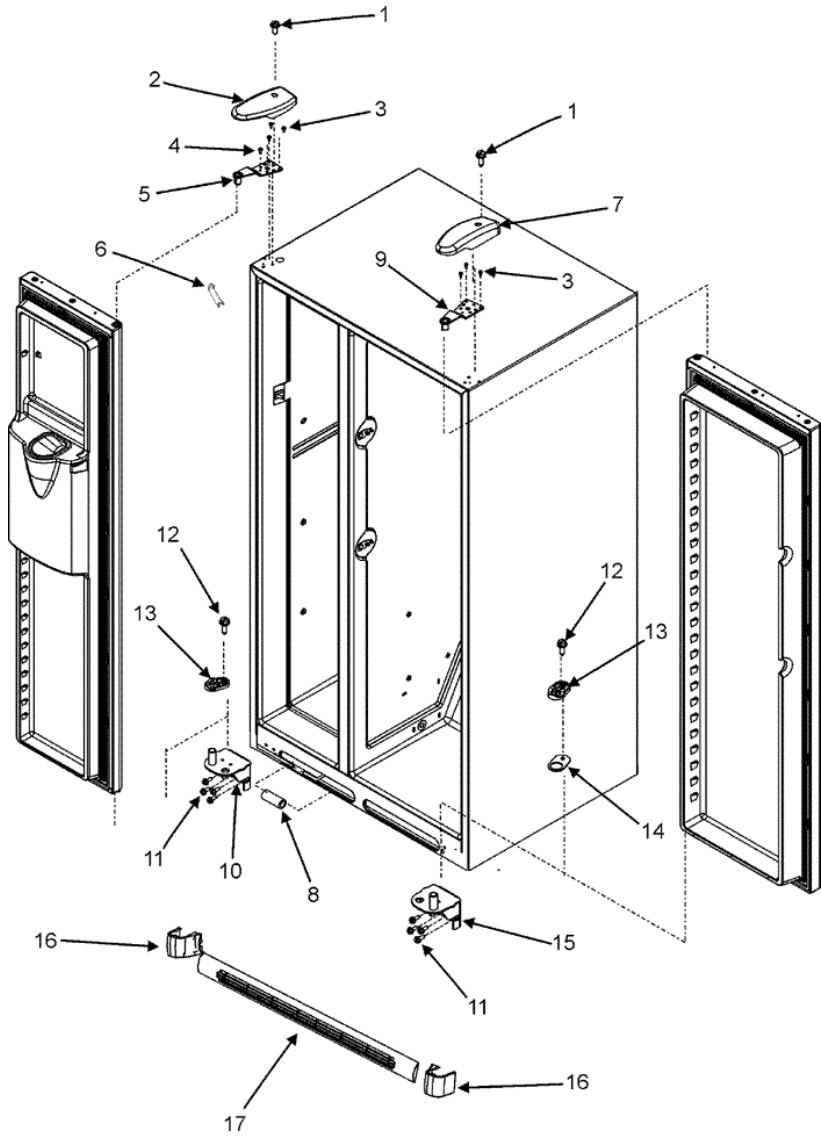




MSD2657HES HINGES (SERIE 10)

1	M0202327	10	SCREW-MACH
2	67003912	10	COVER, TOP HINGE (LT-BLK)
3	M0238731	10	SCREW, TF
4	M0202321	10	SCREW, MACH
5	67004126	10	HINGE, TOP (LT-BLK)
6	67003485	10	COVER, CORNER (BLK)
7	67003913	10	COVER, TOP HINGE (RT-BLK)
8	61006182	10	UNION, TUBE (5/16``-5/16``)
9	67004083	10	HINGE, TOP (RT-BLK)
10	12636901ED	10	HINGE, BOTTOM (LT-BLK)
11	67003858	10	SCREW, BOTTOM HINGE
12	M0220431	10	SCREW, TC
13	12431302	10	CLOSURE, DOOR (BLK)
14	10361806	10	SHIM, DR CLOSURE (BLK)
15	12636902ED	10	HINGE, BOTTOM (RT-BLK)
16	12630301B	10	COVER, LWR HINGE (BLK)
17	12627302	10	CLIP, TOE GRILLE
17	67002224	10	TOE GRILLE ASSY (BLK)

MSD2657HES HINGES (SERIE 50)





MSD2657HES HINGES (SERIE 50)

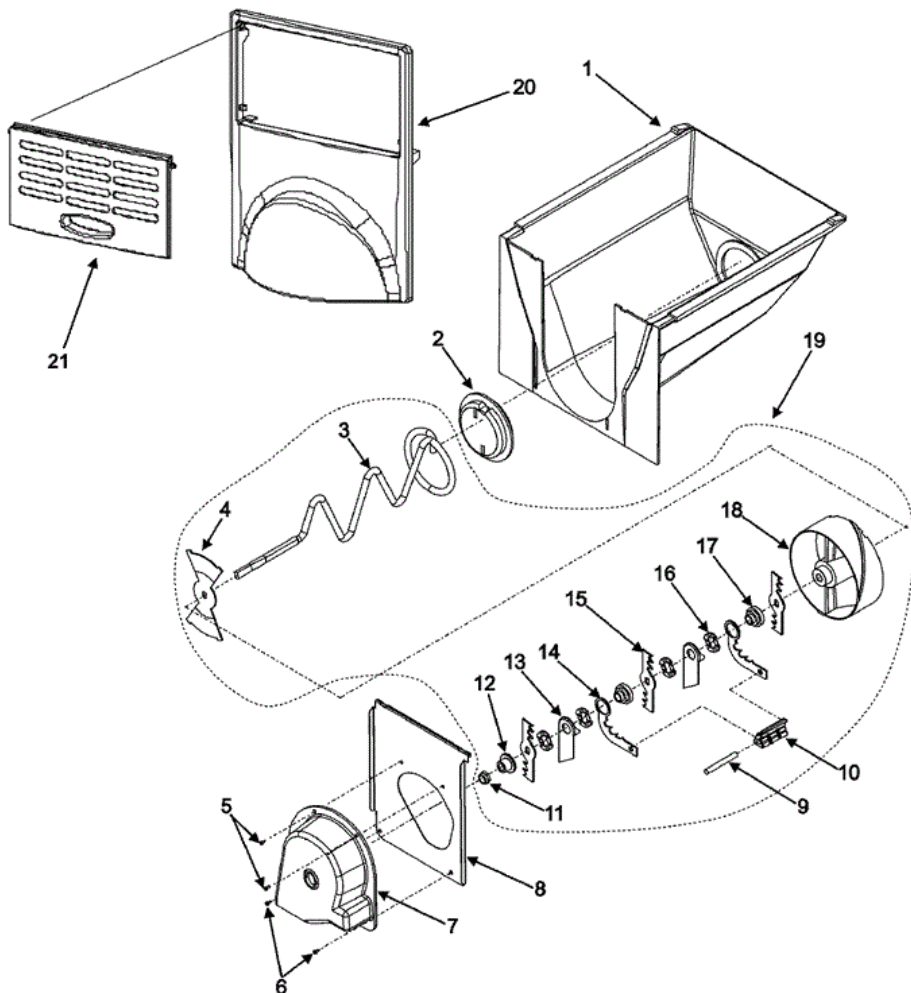
1	M0202327	50	SCREW-MACH
2	67003912	50	COVER, TOP HINGE (LT-BLK)
3	M0238731	50	SCREW, TF
4	M0202321	50	SCREW, MACH
5	67004126	50	HINGE, TOP (LT-BLK)
6	67003485	50	COVER, CORNER (BLK)
7	67003913	50	COVER, TOP HINGE (RT-BLK)
8	61006182	50	UNION, TUBE (5/16``-5/16``)
9	67004083	50	HINGE, TOP (RT-BLK)
10	12636901ED	50	HINGE, BOTTOM (LT-BLK)
11	67003858	50	SCREW, BOTTOM HINGE
12	M0220431	50	SCREW, TC
13	12431302	50	CLOSURE, DOOR (BLK)
14	10361806	50	SHIM, DR CLOSURE (BLK)
15	12636902ED	50	HINGE, BOTTOM (RT-BLK)
16	12630301B	50	COVER, LWR HINGE (BLK)
17	12627302	50	CLIP, TOE GRILLE
17	67002224	50	TOE GRILLE ASSY (BLK)

Distribuidor Autorizado

SurteRápido.com

Venta de Refacciones
Electrodomesticas

MSD2657HES ICE ASSY (SERIE 10)

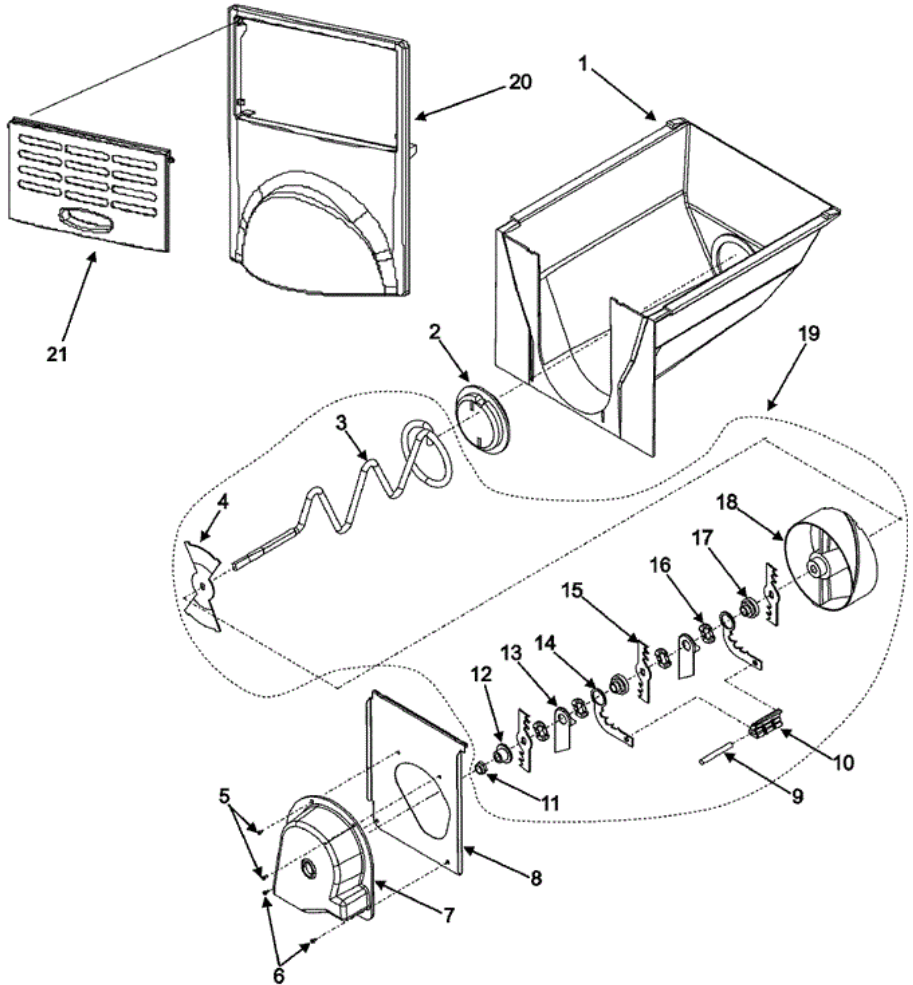




MSD2657HES ICE ASSY (SERIE 10)

1	12517801	10	BUCKET, ICE CRUSH
2	D7749401	10	CAP, HELIX END
3	10114401	10	AGITATOR, ICE
4	10113801	10	BAR, CRSH ICE BUCKET
5	59001208	10	SCREW, HEX HEAD
6	M0238616	10	SCREW, SM
7	67002271	10	COVER, BLADE
8	10115001	10	FRONT, ICE CRUSHER
9	M1200108	10	PIN, ROLL
10	10114101	10	ANCHOR, BLADE
11	M0223101	10	NUT, LOCKING
12	10113901	10	SPACER, COVER
13	10275201	10	DAMPER, ICE
14	10114601	10	BLADE, STATIC
15	10114501	10	BLADE, ROTATING
16	10275101	10	WASHER, WAVED
17	10114301	10	WASHER STEPPED
18	67002052	10	WHEEL, CRSH ICE
19	67003350	10	CRUSHED ICE AGITATOR ASSY
20	67004255	10	COVER, ICE BUCKET
21	67004256	10	DOOR, ICE BUCKET

MSD2657HES ICE ASSY (SERIE 50)

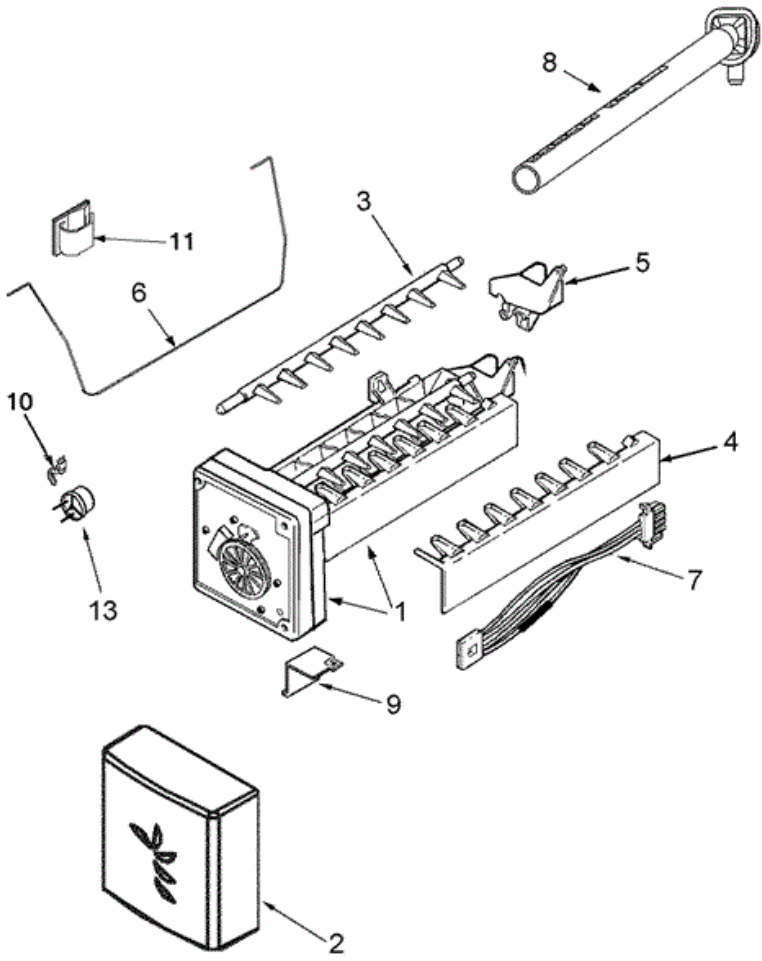




MSD2657HES ICE ASSY (SERIE 50)

1	12517801	50	BUCKET, ICE CRUSH
2	D7749401	50	CAP, HELIX END
3	10114401	50	AGITATOR, ICE
4	10113801	50	BAR, CRSH ICE BUCKET
5	59001208	50	SCREW, HEX HEAD
6	M0238616	50	SCREW, SM
7	67002271	50	COVER, BLADE
8	10115001	50	FRONT, ICE CRUSHER
9	M1200108	50	PIN, ROLL
10	10114101	50	ANCHOR, BLADE
11	M0223101	50	NUT, LOCKING
12	10113901	50	SPACER, COVER
13	10275201	50	DAMPER, ICE
14	10114601	50	BLADE, STATIC
15	10114501	50	BLADE, ROTATING
16	10275101	50	WASHER, WAVED
17	10114301	50	WASHER STEPPED
18	67002052	50	WHEEL, CRSH ICE
19	67003350	50	CRUSHED ICE AGITATOR ASSY
20	67004255	50	COVER, ICE BUCKET
21	67004256	50	DOOR, ICE BUCKET

MSD2657HES ICE MAKER (SERIE 10)

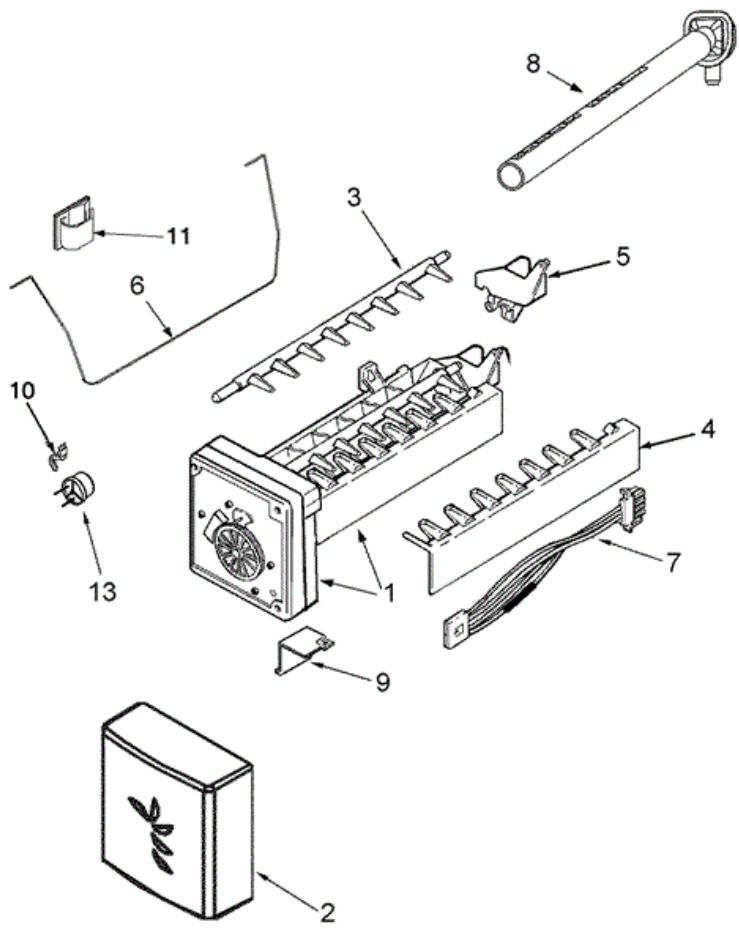




MSD2657HES ICE MAKER (SERIE 10)

1	61005508	10	ICE MAKER ASSY.
1	67002823	10	BRKT, ICE MAKER
1	M0211019	10	SCREW, SM
2	12582501	10	COVER, ICE MAKER
3	95101-1	10	EJECTOR, ICE
4	95102-1	10	STRIPPER, ICE
5	95100-1	10	INLET, WATER
6	12671401Q	10	IM ARM/WIRE ASSY
7	67002124	10	HARNESS, ICE MAKER
8	67003576	10	ELBOW, FILL TUBE
9	95107-1	10	BRACKET, MODULE & HEATER
9	95108-1	10	SCREW, BRACKET
10	95104-1	10	RETAINER, THERMOSTAT
11	M0104106	10	CLIP
12	95092-1	10	THERMOSTAT
12	95093-1	10	CEMENT, ALUMILASTIC (4 OZ.)
13	10244904	10	COUPLING

MSD2657HES ICE MAKER (SERIE 50)

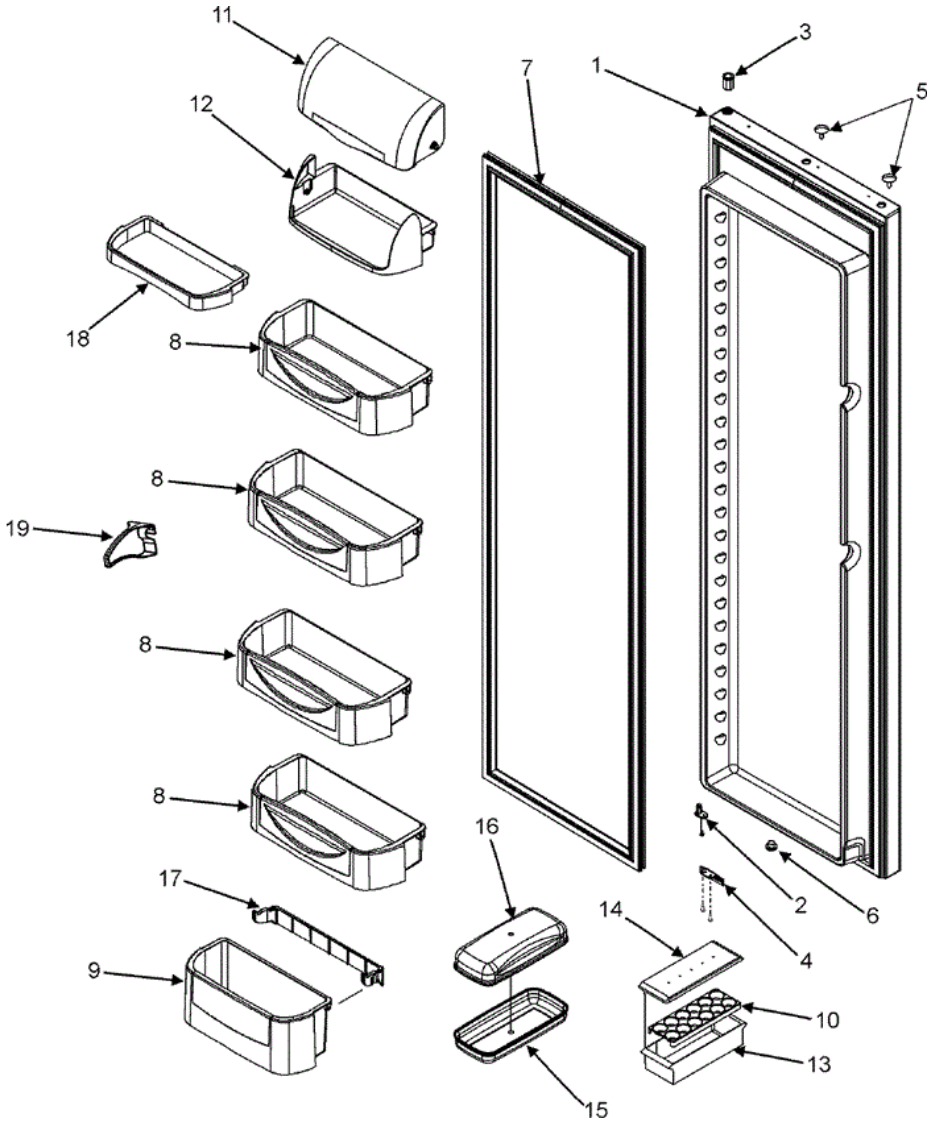




MSD2657HES ICE MAKER (SERIE 50)

1	61005508	50	ICE MAKER ASSY.
1	67002823	50	BRKT, ICE MAKER
1	M0211019	50	SCREW, SM
2	12582501	50	COVER, ICE MAKER
3	95101-1	50	EJECTOR, ICE
4	95102-1	50	STRIPPER, ICE
5	95100-1	50	INLET, WATER
6	12671401Q	50	IM ARM/WIRE ASSY
7	67002124	50	HARNESS, ICE MAKER
8	67003576	50	ELBOW, FILL TUBE
9	95107-1	50	BRACKET, MODULE & HEATER
9	95108-1	50	SCREW, BRACKET
10	95104-1	50	RETAINER, THERMOSTAT
11	M0104106	50	CLIP
12	95092-1	50	THERMOSTAT
12	95093-1	50	CEMENT, ALUMILASTIC (4 OZ.)
13	10244904	50	COUPLING

**MSD2657HES REFRIGERATOR DOOR
 (SERIE 10)**

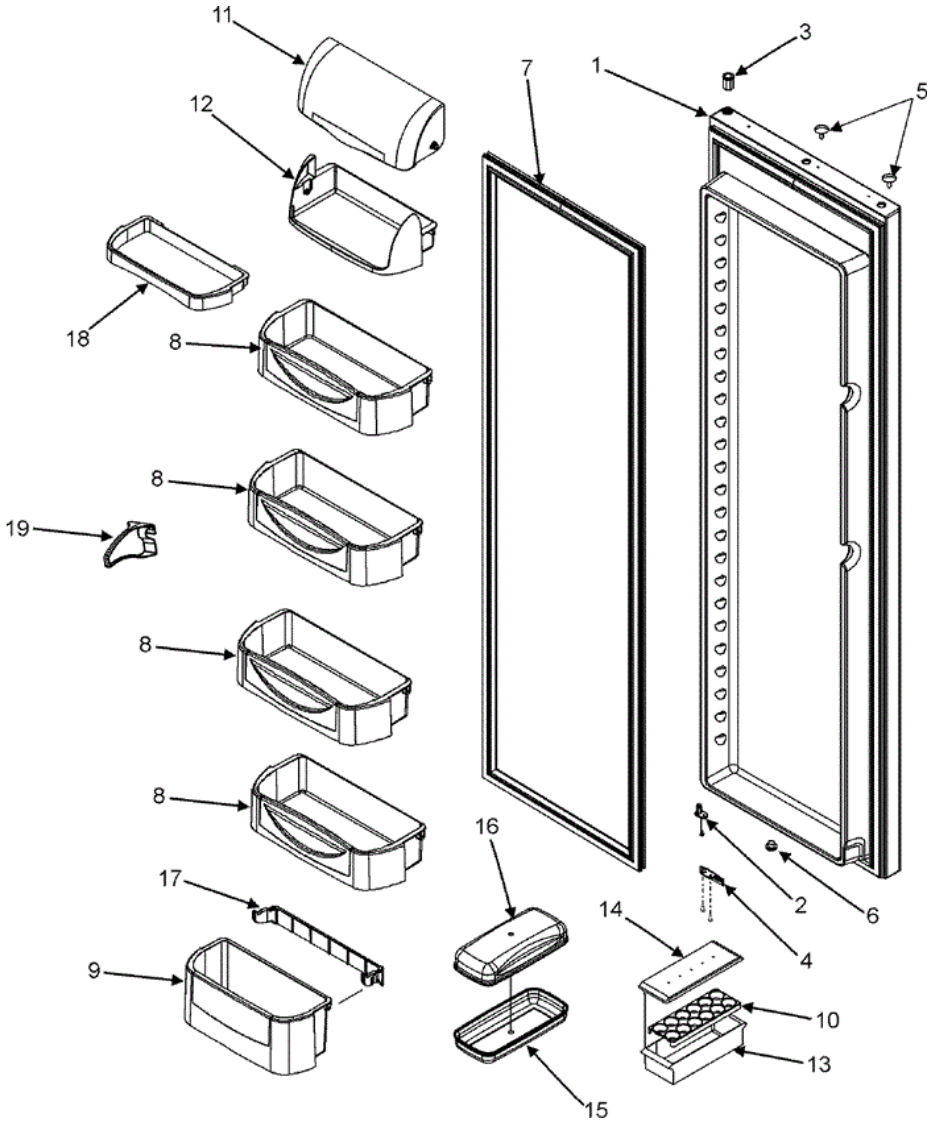




**MSD2657HES REFRIGERATOR DOOR
(SERIE 10)**

1	67003810	10	DOOR ASSY., REF. FOAM (STNLS)
2	12113204	10	CLOSURE, DOOR (BLK)
2	M0220432	10	SCREW, TC
3	10961002	10	BUSHING, DOOR (BLK)
4	12636401B	10	STOP, DOOR (BLK)
4	M0211018	10	SCREW, SM
5	M0311607	10	PLUG, BUTTON (GRY)
6	A3080001	10	PLUG, BUTTON (BLK)
7	67003965	10	GASKET, REF. DOOR (BLK)
8	67004229	10	BUCKET ASSY., REF. DOOR
9	67004603	10	BUCKET ASSY., TILT OUT
10	10436506	10	TRAY, EGG
11	67001325	10	DOOR, DAIRY
12	67002304	10	TRAY, DAIRY
13	10423131	10	BIN, UTILITY
14	10436404	10	LID, UTILITY
15	67004404	10	TRAY, BUTTER
16	67004405	10	LID, BUTTER TRAY
17	67004378	10	BRACKET, TILT OUT
18	67004458	10	RETAINER, TALL BOTTLE
19	67004564	10	SNUGGER, DOOR SHELF

**MSD2657HES REFRIGERATOR DOOR
 (SERIE 50)**

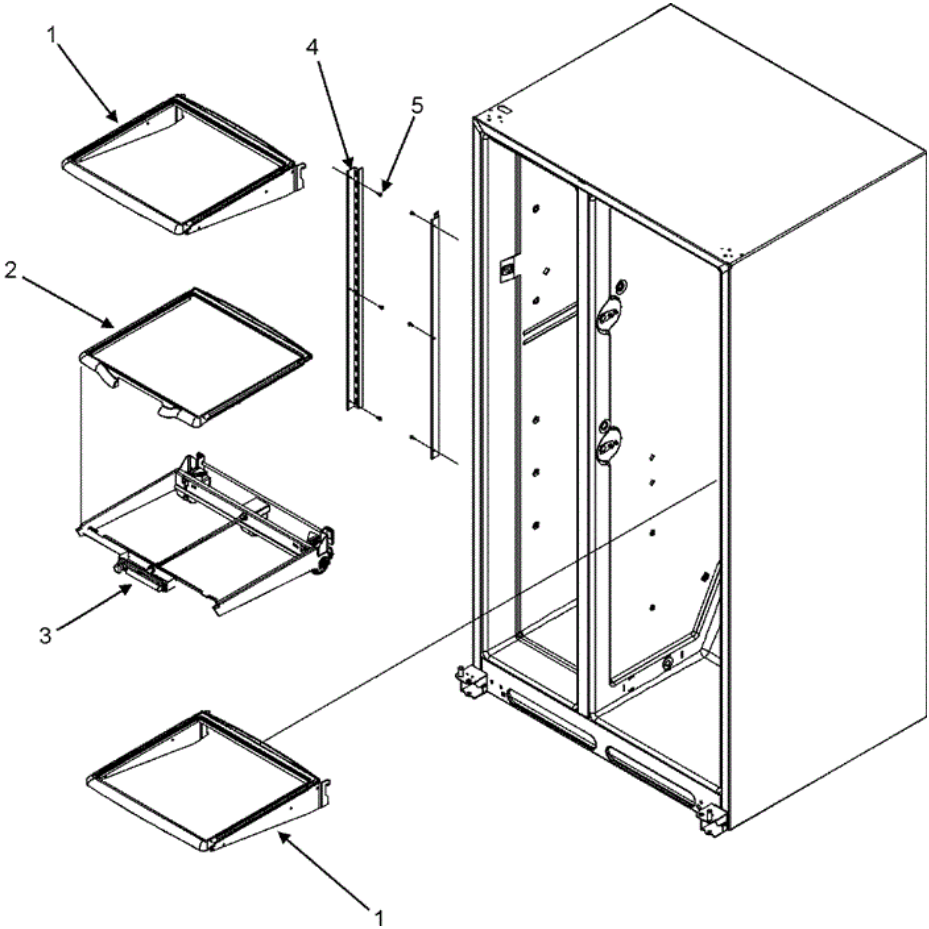




**MSD2657HES REFRIGERATOR DOOR
(SERIE 50)**

1	67004909	50	DOOR ASSY., REF. FOAM (STNLS)
2	12113204	50	CLOSURE, DOOR (BLK)
2	M0220432	50	SCREW, TC
3	10961002	50	BUSHING, DOOR (BLK)
4	12636401B	50	STOP, DOOR (BLK)
4	M0211018	50	SCREW, SM
5	M0311607	50	PLUG, BUTTON (GRY)
6	A3080001	50	PLUG, BUTTON (BLK)
7	67003965	50	GASKET, REF. DOOR (BLK)
8	67004229	50	BUCKET ASSY., REF. DOOR
9	67004603	50	BUCKET ASSY., TILT OUT
10	10436506	50	TRAY, EGG
11	67001325	50	DOOR, DAIRY
12	67002304	50	TRAY, DAIRY
13	10423131	50	BIN, UTILITY
14	10436404	50	LID, UTILITY
15	67004404	50	TRAY, BUTTER
16	67004405	50	LID, BUTTER TRAY
17	67004378	50	BRACKET, TILT OUT
18	67004458	50	RETAINER, TALL BOTTLE
19	67004564	50	SNUGGER, DOOR SHELF

**MSD2657HES REFRIGERATOR
SHELVES (SERIE 10)**



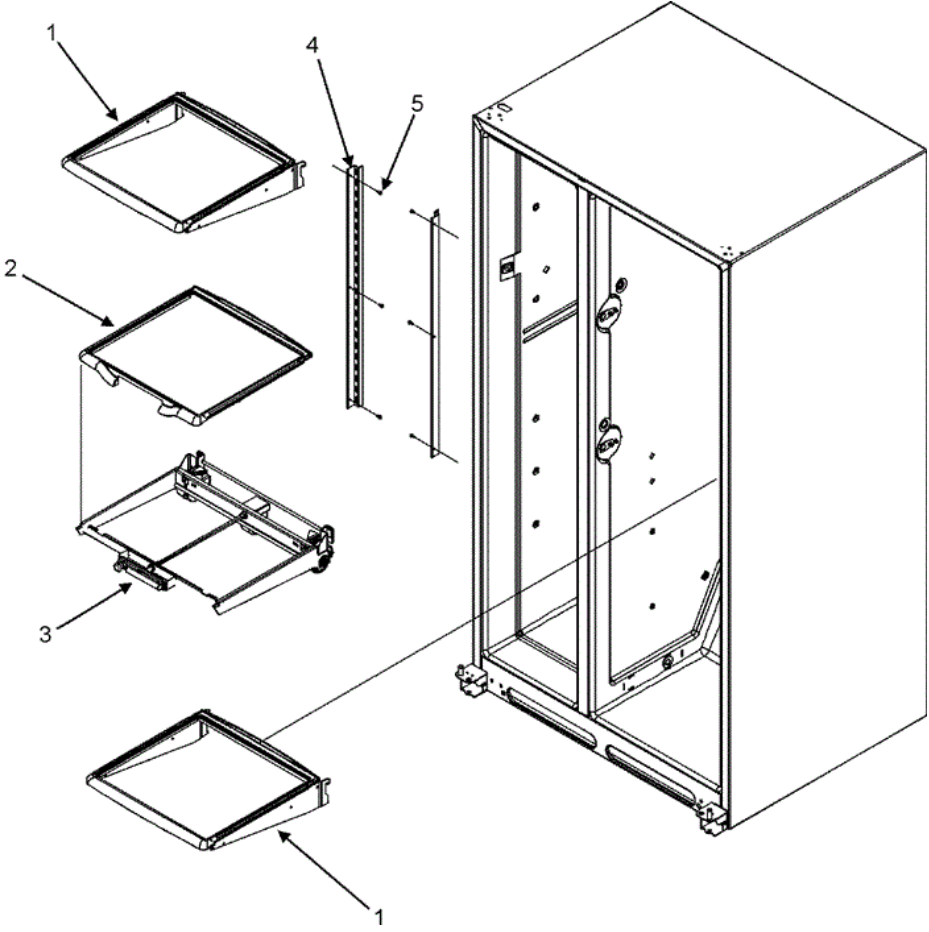


MSD2657HES REFRIGERATOR SHELVES (SERIE 10)

1	67004242	10	SHELF, GLIDE
2	67004243	10	SHELF, ELEVATOR
3	67004604	10	FRAME ASSY., ELEVATOR SHELF
4	67003838	10	RAIL, SHELF ADJ
5	M0211016	10	SCREW, SM



**MSD2657HES REFRIGERATOR
SHELVES (SERIE 50)**





MSD2657HES REFRIGERATOR SHELVES (SERIE 50)

1	67004242	50	SHELF, GLIDE
2	67004243	50	SHELF, ELEVATOR
3	67004604	50	FRAME ASSY., ELEVATOR SHELF
4	67003838	50	RAIL, SHELF ADJ
5	M0211016	50	SCREW, SM