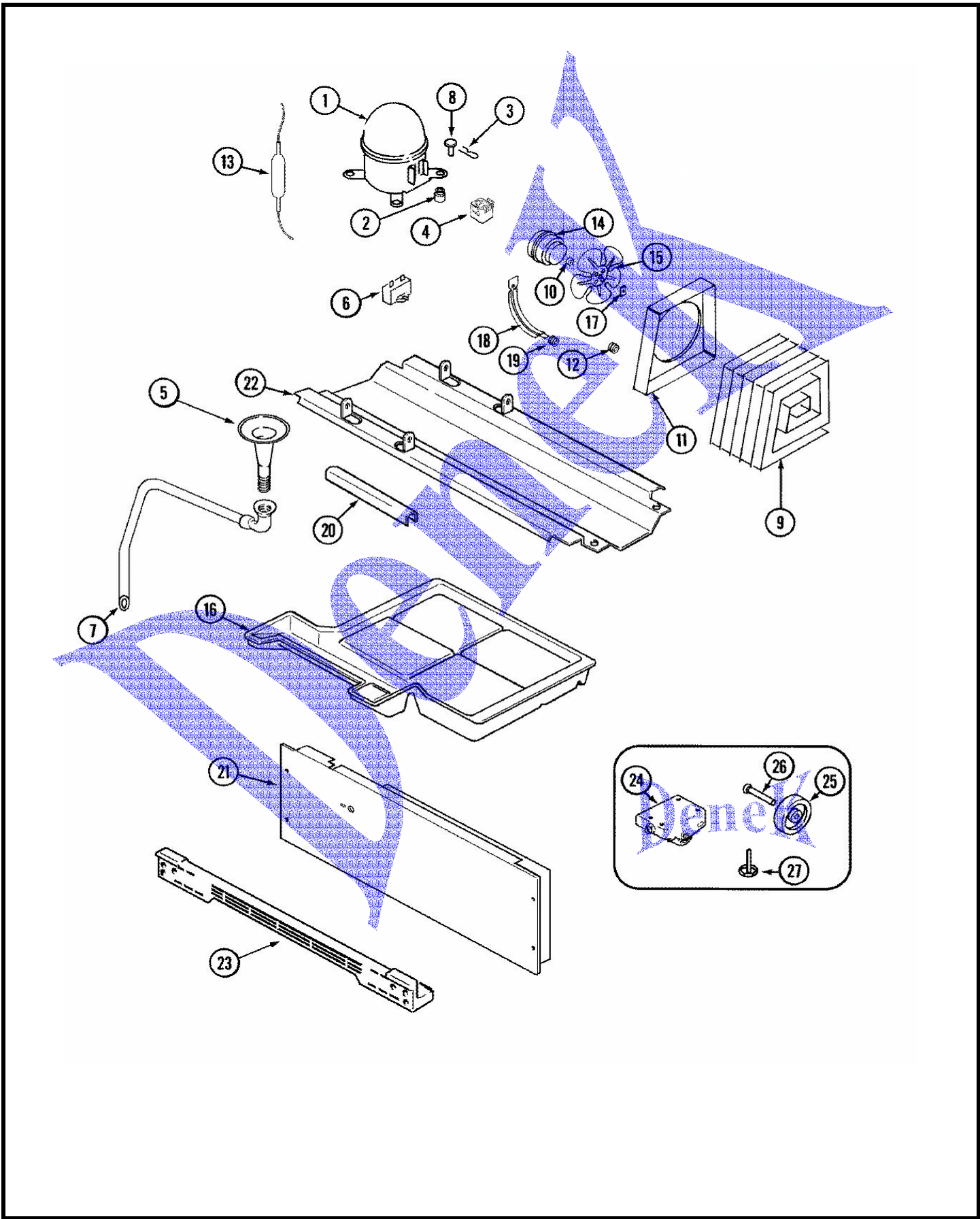


REF. MAYTAG MSD2756DEB

COMPRESSOR



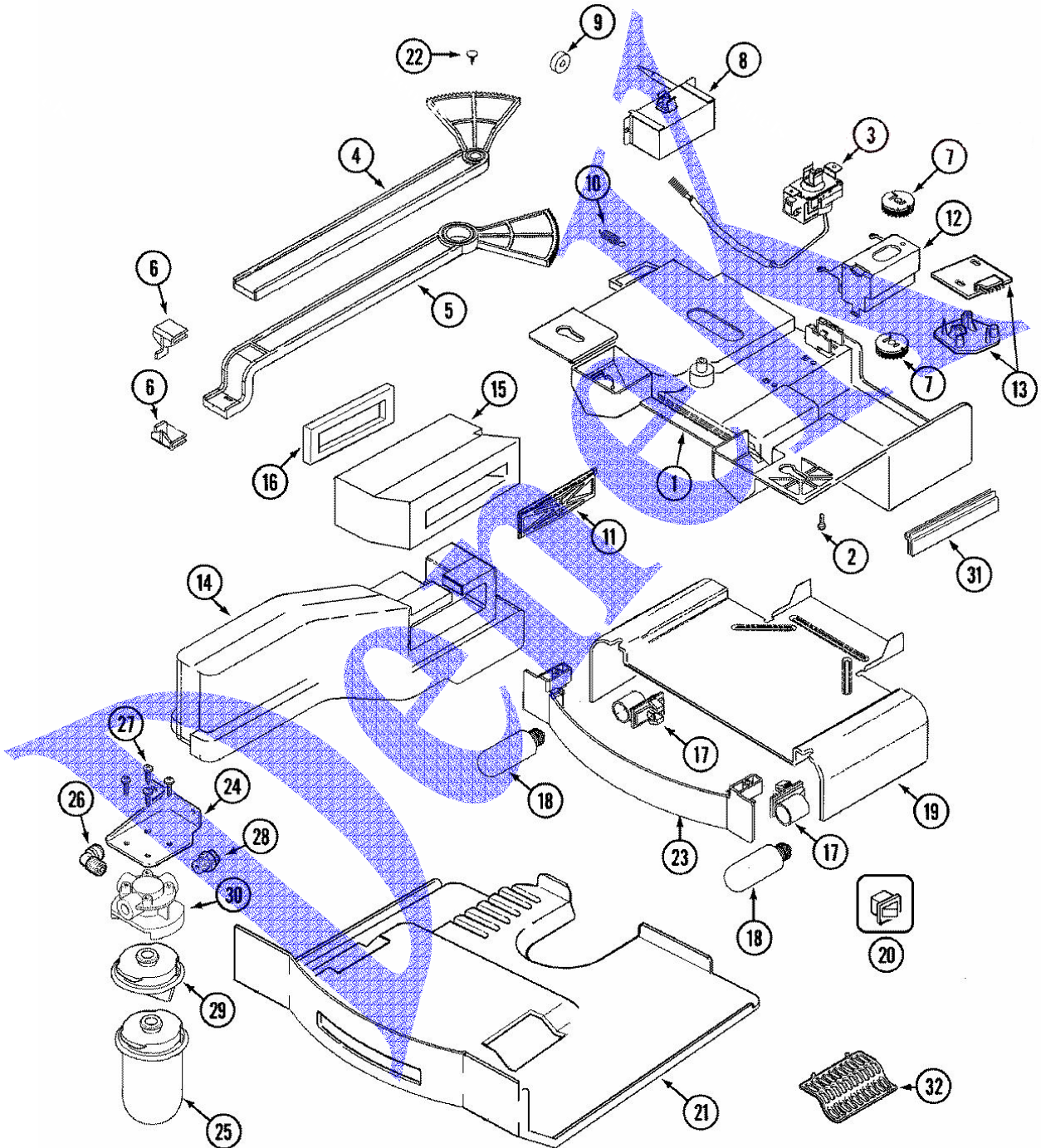
REF. MAYTAG MSD2756DEB

COMPRESSOR

1	12001777	COMPRESSOR ASSY. (R134A)
1	61004917	WIRE HARNESS, COMPRESSOR
2	17245-4	GROMMET, COMPRESSOR
2	61005241	GROMMET, COMPRESSOR
3	61003099	CLIP, COMPRESSOR
4	61004918	RELAY/OVERLOAD ASSY.
5	61004751	TUBE, DRAIN
6	400017-1	SCREW
6	65889-4	CAPACITOR, RUN
7	53516-9	CLAMP
7	61003133	HOSE, DRAIN
8	52656-2	PLUG, COMPRESSOR
9	61004378	SCREW
9	61003814	CONDENSER
10	61001686	WASHER, FAN BLADE
11	61001941	SHROUD, CONDENSER
12	61002033	GROMMET, CONDENSER TUBING
13	13900-1	DRIER
14	65275-33	SCREW
14	61002038	MOTOR, CONDENSER FAN
15	60683-1	BLADE, CONDENSER FAN
16	61002649	PAN, DRAIN
16	400017-1	SCREW
17	19914	CLIP, FAN BLADE
18	69181-1	BRACKET, FAN MOTOR
19	61004743	GROMMET, BRACKET
20	61004584	ISOLATOR, CONDENSER
21	61004674	COVER, COMPRESSOR COMPARTMENT
21	65275-50	SCREW
22	61002407	SCREW
22	61003816	PAN, COMPRESSOR MTG.
22	61005269	PAN, COMPRESSOR MTG.
23	400016-1	SCREW
23	61004055	KICKPLATE (BLK)
24	400017-1	SCREW
24	61002066	WHEEL ASSY (FRT)
24	61005232	WHEEL ASSY (FRT)
25	61003826	WHEEL (REAR)
26	61002104	PIN, WHEEL
27	61002014	LEG, LEVELING
28	12001548	YODER LOOP HTR(115V)27,29,23CD
29	16009545	MANUAL, USE & CARE
30	16010154	KIT, SERVICE MANUAL (CZT ONLY)

REF. MAYTAG MSD2756DEB

CONTROLS



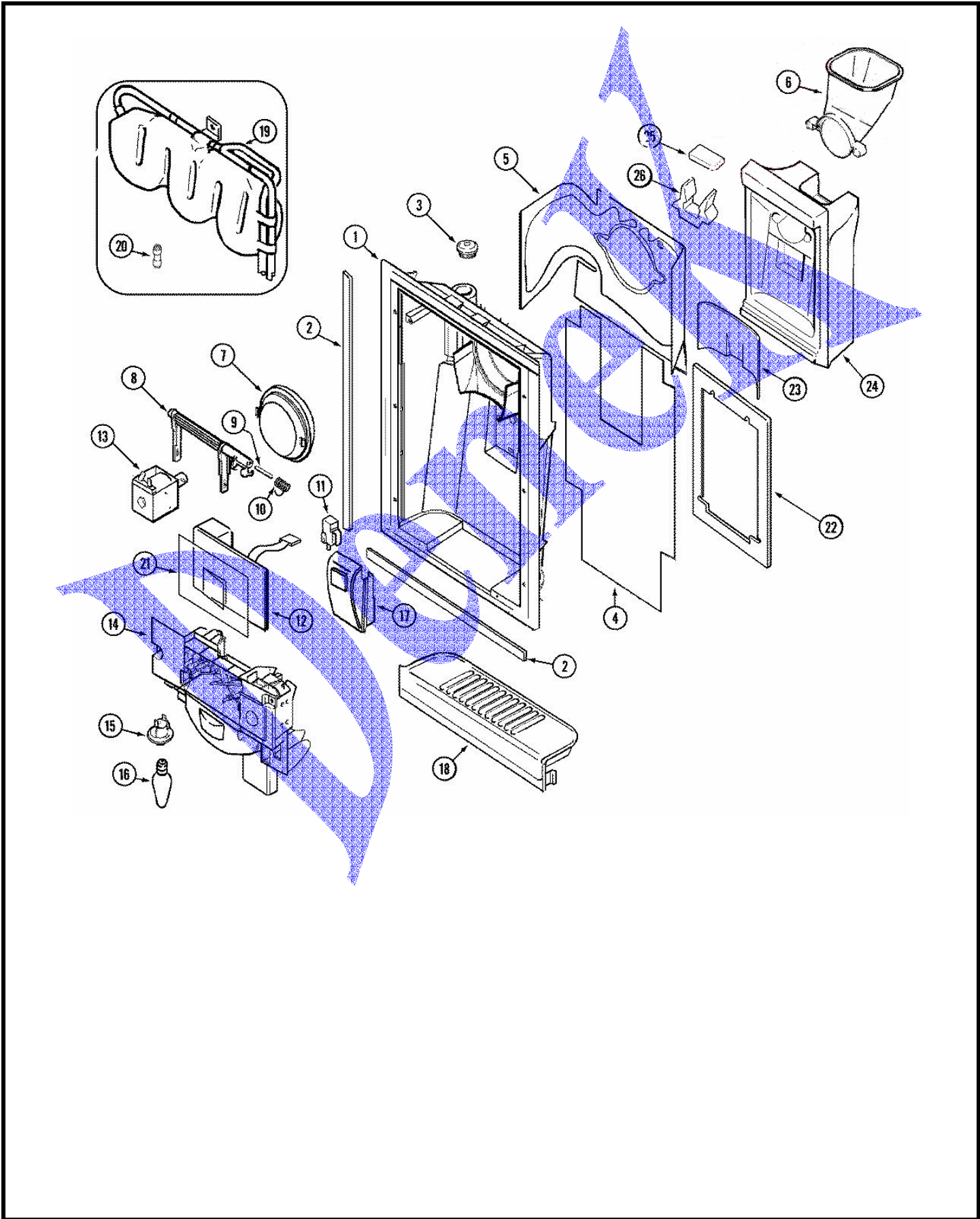
REF. MAYTAG MSD2756DEB

CONTROLS

1	61005043	HOUSING ASSY., AUTO DAMPER
1	61003228	FOIL, HEAT SHIELD
1	400031-1	SCREW
2	61004314	SCREW (#8 AB)
3	400016-1	SCREW
3	61003989	CONTROL ASSY., TEMP.
4	61003287	ROD, DAMPER CONTROL
5	61003293	ROD, TEMP. CONTROL
6	61004591	END CAP, CONTROL ROD
7	61003305	GEAR, CONTROL SLIDE
8	61003359	SCREW
8	61005044	DAMPER, AUTO
9	61003358	WASHER, DAMPER ROD
10	61003141	SPRING, DAMPER DOOR
11	61003235	DOOR, DAMPER
12	61003315	SUPPORT, TEMP. CONTROL
13	405007-1	SCREW
13	61003990	DEFROST ASSY., ADAPTIVE
14	61003229	INSULATION, DISCHARGE (LT)
14	61003230	INSULATION, DISCHARGE (RT)
15	61005075	SEAL, TUNNEL (DOUBLE-SIDED)
15	61003818	TUNNEL, CONTROL HOUSING
16	61003819	SEAL, TUNNEL
17	61003237	RECEPTACLE, BULB
18	61003236	BULB, LIGHT
18	61003354	BARRIER, FOIL (LT)
18	61003355	BARRIER, FOIL (RT)
19	61003238	SHIELD, HEAT
20	61003661	SWITCH, LIGHT
21	61003924	SHIELD, LIGHT
22	61003316	RETAINER, CONTROL ROD
23	400031-1	SCREW
23	61004380	PANEL, CONTROL
24	61003698	BRACKET, WATER FILTER
25	UKF7002AXX	FILTER, WATER
26	61003705	FITTING ASSY., WATER FILTER
27	61003796	SCREW
28	61003790	FITTING, WATER FILTER
29	61003791	PLUG, FILTER BYPASS
30	61003789	HEAD, WATER FILTER
31	61003891	TRIM, CONTROL HOUSING
32	61004590	GRILL, LIGHT
33	61003696	WIRE HARNESS, CONTROLS
33	61004262	WIRE HARNESS, FRZ./F.F.

REF. MAYTAG MSD2756DEB

FOUNTAIN



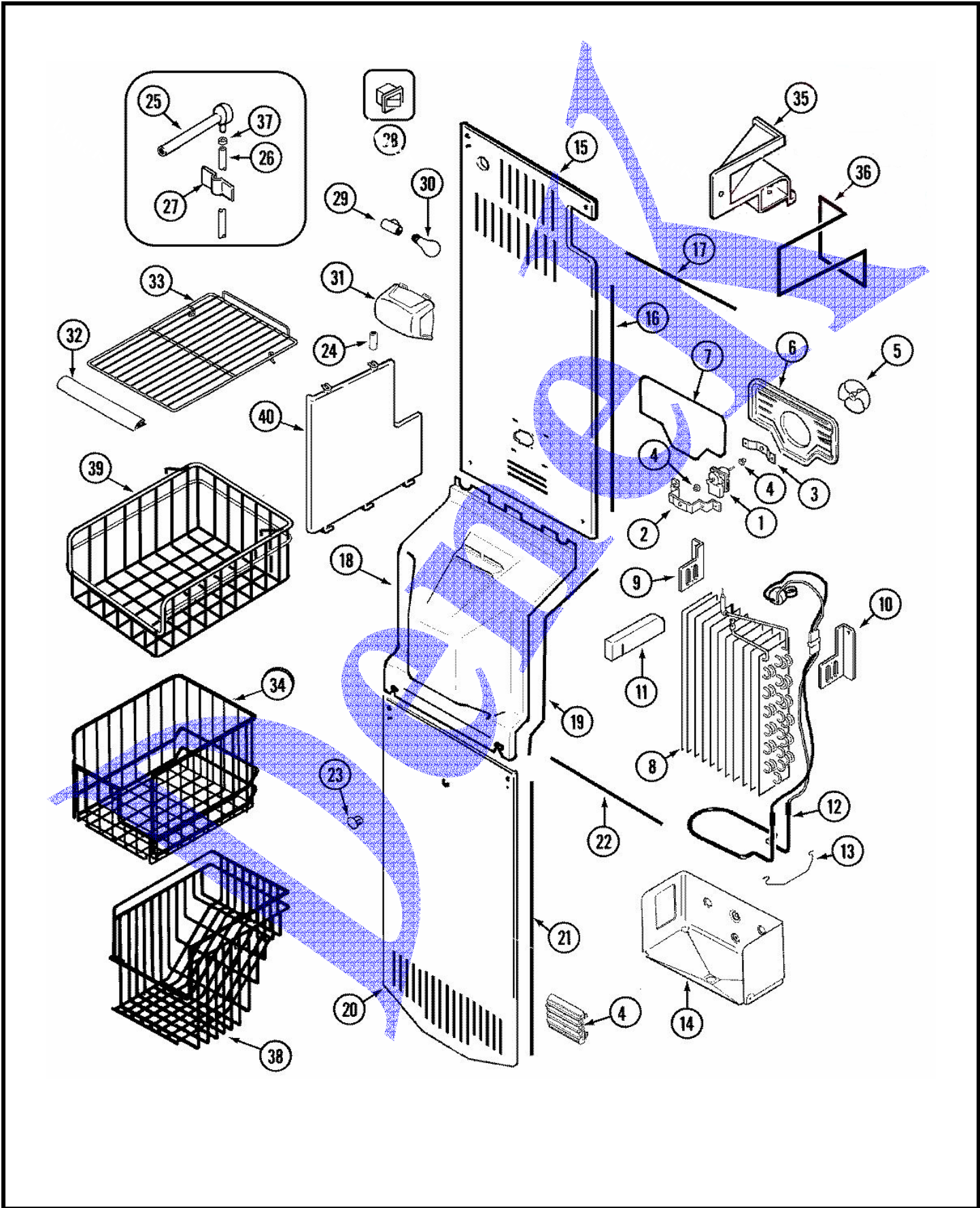
REF. MAYTAG MSD2756DEB

FOUNTAIN

1	61004681	HOUSING, FOUNTAIN (BLK)
1	415013-35	SCREW
1	61003307	SCREW
2	61003286	TAPE (1FT.)
3	61003300	GROMMET, WATER TUBE
4	61003304	FOIL, FTN. BACK
5	61005001	HEATER, FOUNTAIN
6	61004677	CHUTE, ICE
6	415013-35	SCREW
7	61003507	DOOR ASSY., ICE
8	61003311	STRIKE, ICE DOOR
9	61003303	PIN, ROLL
10	61004388	SPRING, FTN. RETURN
11	415041-35	SCREW
11	61003124	SWITCH, LIMIT
12	61005002	BOARD, CONTROL
12	61005274	BOARD, CONTROL
13	61003121	SOLENOID
13	61003297	SCREW
14	415013-35	SCREW
14	61003803	BRACKET, FOUNTAIN (BLK)
15	70119-1	RECEPTACLE, BULB
16	63179-1	BULB, LIGHT
17	61003804	PAD, ACTUATOR (BLK)
18	61003782	GRILL (BLK)
19	400022-1	SCREW
19	61003689	TANK ASSY., WATER
20	61001614	UNION, REDUCING (5/16"-5/16")
21	61003426	BARRIER
22	61003339	INSULATION
23	61003340	INSULATION
24	61004724	INSULATION, FTN. (STYROFOAM)
25	61003343	INSULATION
26	61003308	INSULATION
27	61005003	WIRE HARNESS, FTN.
27	61005275	WIRE HARNESS, FTN.

REF. MAYTAG MSD2756DEB

FREEZER COMPARTMENT



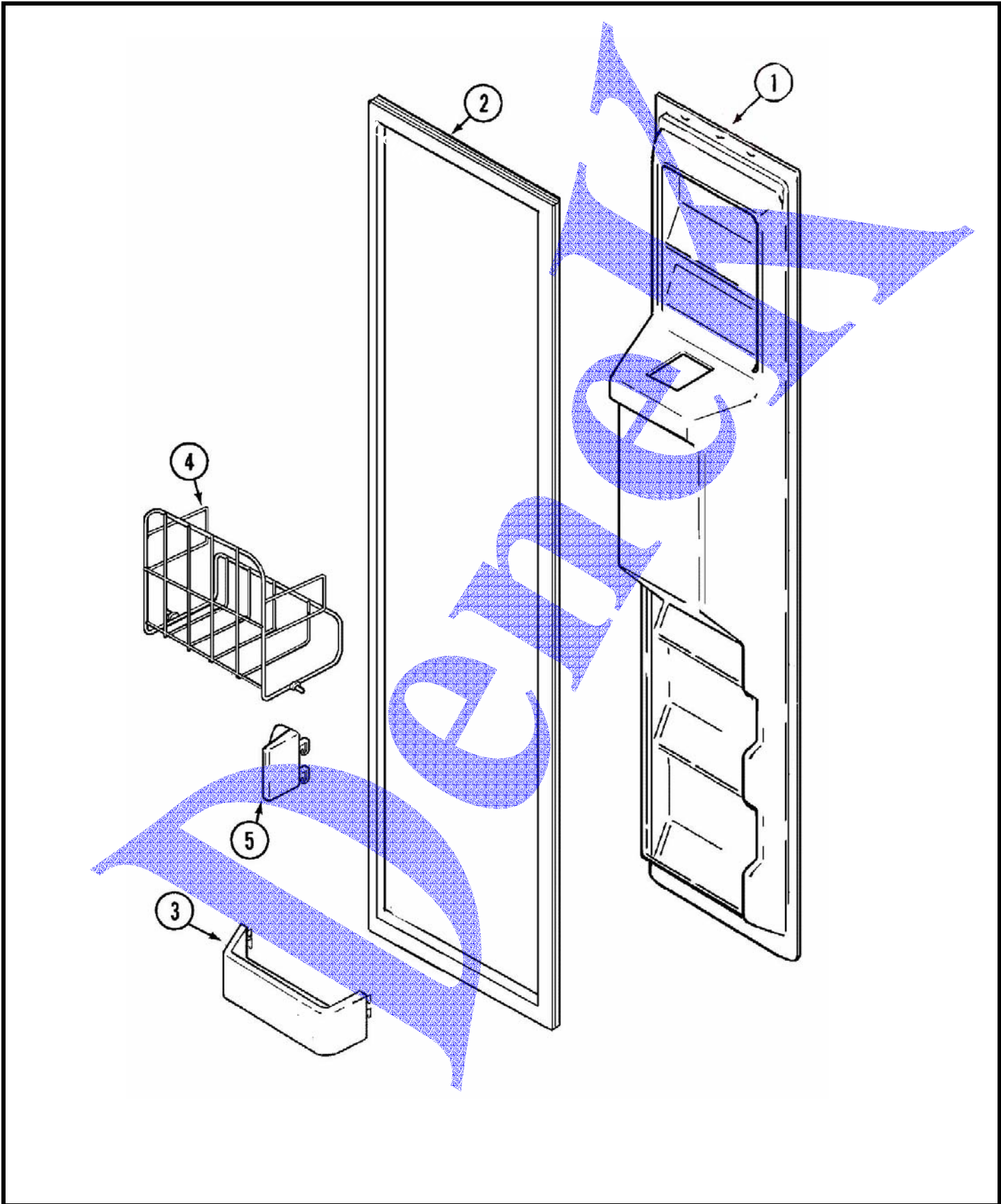
REF. MAYTAG MSD2756DEB

FREEZER COMPARTMENT

1	61004888	MOTOR, EVAPORATOR FAN
2	61001885	SCREW
2	61001930	BRACKET, EVAPORATOR FAN
3	61001885	SCREW
3	61002234	RETAINER, EVAPORATOR FAN
4	61002235	BUSHING, EVAPORATOR FAN
5	61004522	BLADE, EVAPORATOR FAN
6	61003898	SHROUD, FAN
7	61003828	SEAL, FAN SHROUD
8	12001641	EVAP/HEAT EXCH, ASSY 27, 29, CDSXS
9	61003215	BRACKET, EVAPORATOR (LT)
10	61003216	BRACKET, EVAPORATOR (RT)
11	61003213	BLOCK, AIR
12	61004310	HEATER & THERM. ASSY., DEFROST
13	61004152	CLIP, DEFROST HEATER
14	61003830	HOUSING, EVAPORATOR
14	400017-1	SCREW
15	61004424	SCREW
15	61004028	COVER, COIL (UPR)
16	61003832	SEAL, UPPER COVER (LT)
16	61003833	SEAL, UPPER COVER (RT)
17	61003834	SEAL, UPPER COVER (TOP)
18	61003835	COVER, EVAPORATOR FAN
19	61003209	SEAL
20	61004424	SCREW
20	61003836	COVER, COIL (LWR)
21	61003212	SEAL
22	61003837	SEAL, LOWER COVER
23	61001952	PLUG BUTTON, EVAP. COVER
24	61001028	SCREW
24	68823-1	SPACER, DIVIDER
25	61003253	GROMMET, WATER ENTRY
25	67877-1	CLIP, FILL TUBE
26	67579-1	TUBE, VALVE
27	61004913	CLIP, WATER LINE (ADHESIVE)
28	61005052	SWITCH, LIGHT
29	68974-3	RECEPTACLE, BULB
30	31956-1	BULB, LIGHT
31	61002272	SHIELD, LIGHT
32	61003950	TRIM, SHELF (FRT)
33	61003951	SHELF, FRZ.
34	61003993	BASKET, PIZZA
35	400017-1	SCREW
35	61003205	DIVERTER, AIR
36	61003206	SEAL, AIR DIVERTER
37	61001161	CLAMP, WATER LINE
38	61003841	BASKET, FRZ.
39	61003954	BASKET, FRZ. (HALF)
40	61003900	DIVIDER, DISPENSER ENCLOSURE
41	61003955	WIRE HARNESS, FAN & HEATER
41	61003731	WIRE HARNESS, FRZ.
41	61004988	WIRE HARNESS, FRZ.

REF. MAYTAG MSD2756DEB

FREEZER INNER DOOR



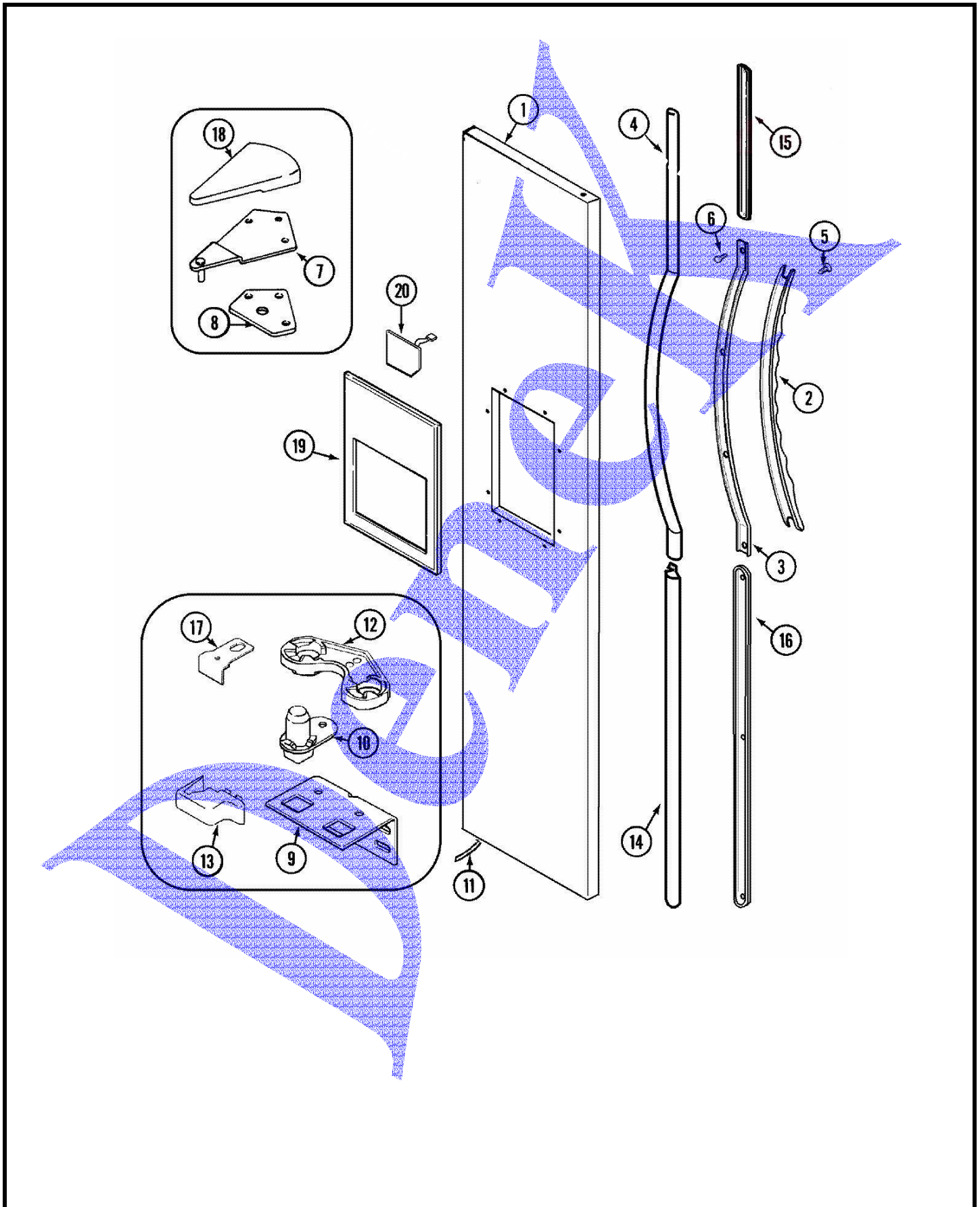
REF. MAYTAG MSD2756DEB

FREEZER INNER DOOR

1	61004741	INSERT, LINER SUPPORT (SIDE)
1	61003917	INSERT, LINER SUPPORT(TOP/BTM)
1	61003854	LINER, FRZ. DOOR
1	65275-5	SCREW
2	61003911	SEAL, FRZ. DOOR (BLK)
3	61003987	FRONT, PICK-OFF
4	61003988	BASKET, TILTDOWN
5	61003753	STOP, BASKET (LT)
5	61003754	STOP, BASKET (RT)

REF. MAYTAG MSD2756DEB

FREEZER OUTER DOOR



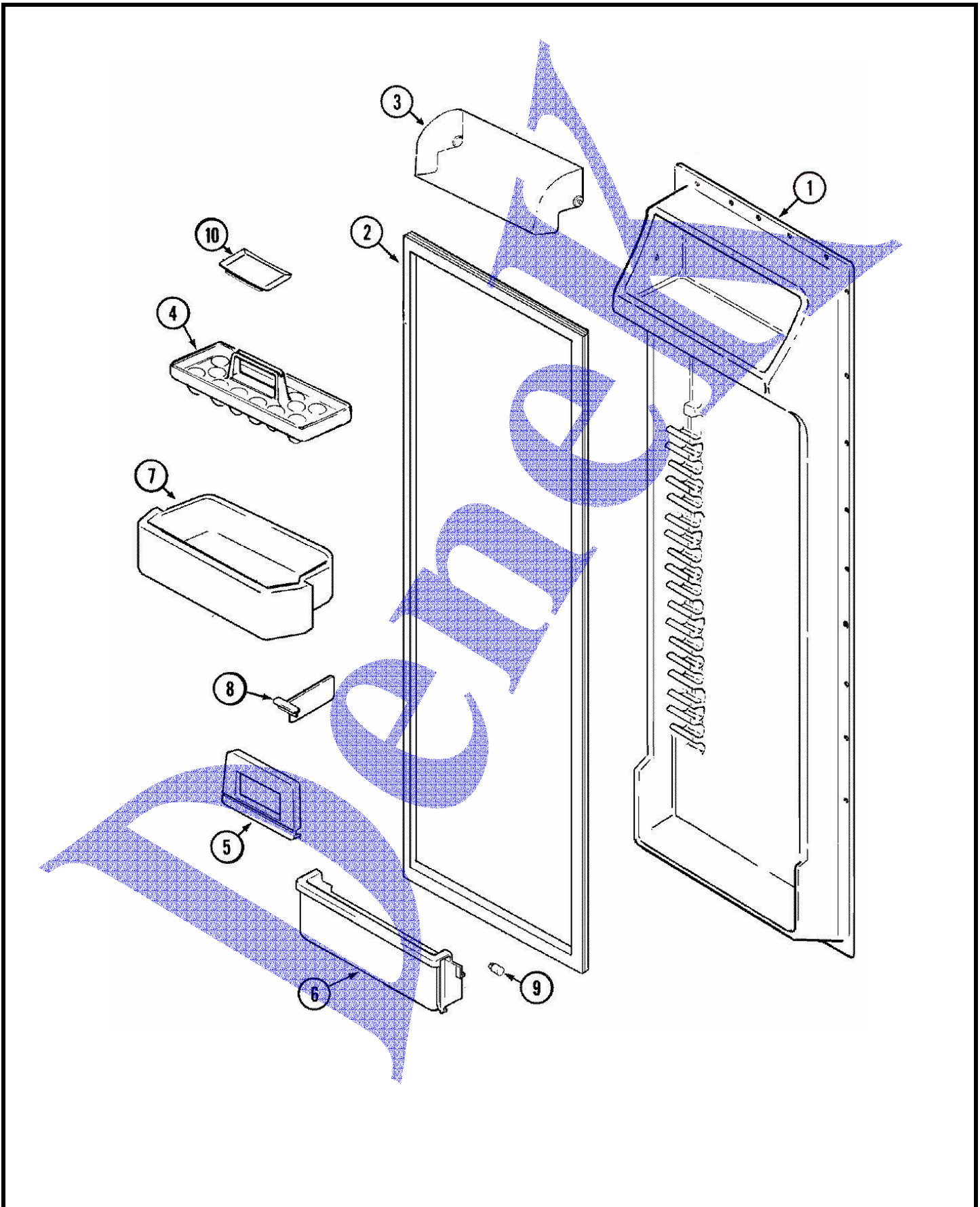
REF. MAYTAG MSD2756DEB

FREEZER OUTER DOOR

1	61005151	PANEL, FRZ. DOOR (BLK)
1	61005294	PANEL, FRZ. DOOR (BLK)
2	61004993	HANDLE, DOOR (BLK)
3	61004292	FRAME, HANDLE
4	61004302	INSERT, HANDLE (BLK)
5	61003351	SCREW, HANDLE TO FRAME
6	61002180	SCREW
7	61004763	SCREW
7	61004896	HINGE, UPPER
8	61001922	SHIM, UPPER HINGE
9	61003128	SCREW
9	61002361	HINGE, LOWER (BLK)
10	61003174	PIN, LOWER HINGE
11	61004569	TUBING, FOUNTAIN
11	61001614	UNION, REDUCING (5/16"-5/16")
12	61002180	SCREW
12	61003647	CLOSER, DOOR (NATURAL)
13	61003529	COVER, LOWER HINGE (BLK)
14	61003968	INSERT, EXT. TRIM (LWR-BLK)
15	61004497	TRIM, HANDLE EXT. (UPR)
16	61004425	TRIM, HANDLE EXT. (LWR)
17	61002180	SCREW
17	61003273	STOP, DOOR
18	61004641	SCREW, COVER
18	61004678	COVER, UPPER HINGE (BLK)
19	61004999	ESCUTCHEON (BLK)
19	415013-35	SCREW
20	61005277	BOARD, FTN. SWITCH
20	61003422	SCREW

REF. MAYTAG MSD2756DEB

FRESH FOOD INNER DOOR



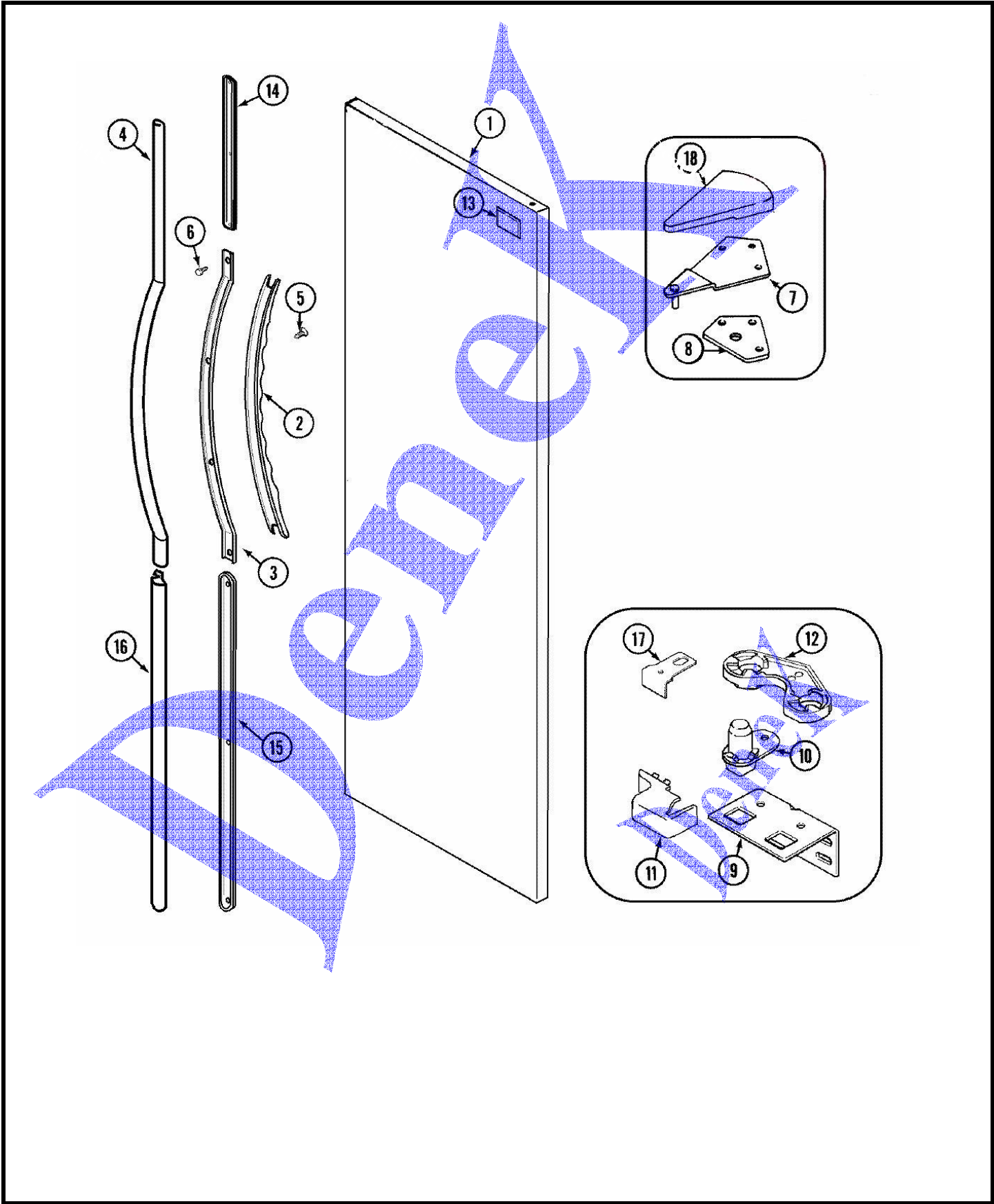
REF. MAYTAG MSD2756DEB

FRESH FOOD INNER DOOR

1	61003979	INSERT, LINER SUPPORT (SIDES)
1	61003980	INSERT, LINER SUPPORT(TOP/BTM)
1	61003994	LINER, F.F. DOOR
1	65275-5	SCREW
2	61003904	SEAL, F.F. DOOR (BLK)
3	61003995	DOOR, DAIRY
4	60066-1	TRAY, EGG
5	61002273	RETAINER, BOTTLE
6	61003996	BUCKET, TIP OUT
7	61003976	SHELF, PICK-OFF
8	61002274	ORGANIZER, SHELF
9	61002719	STOP, BUCKET
10	29936-2	TRAY, BUTTER

REF. MAYTAG MSD2756DEB

FRESH FOOD OUTER DOOR



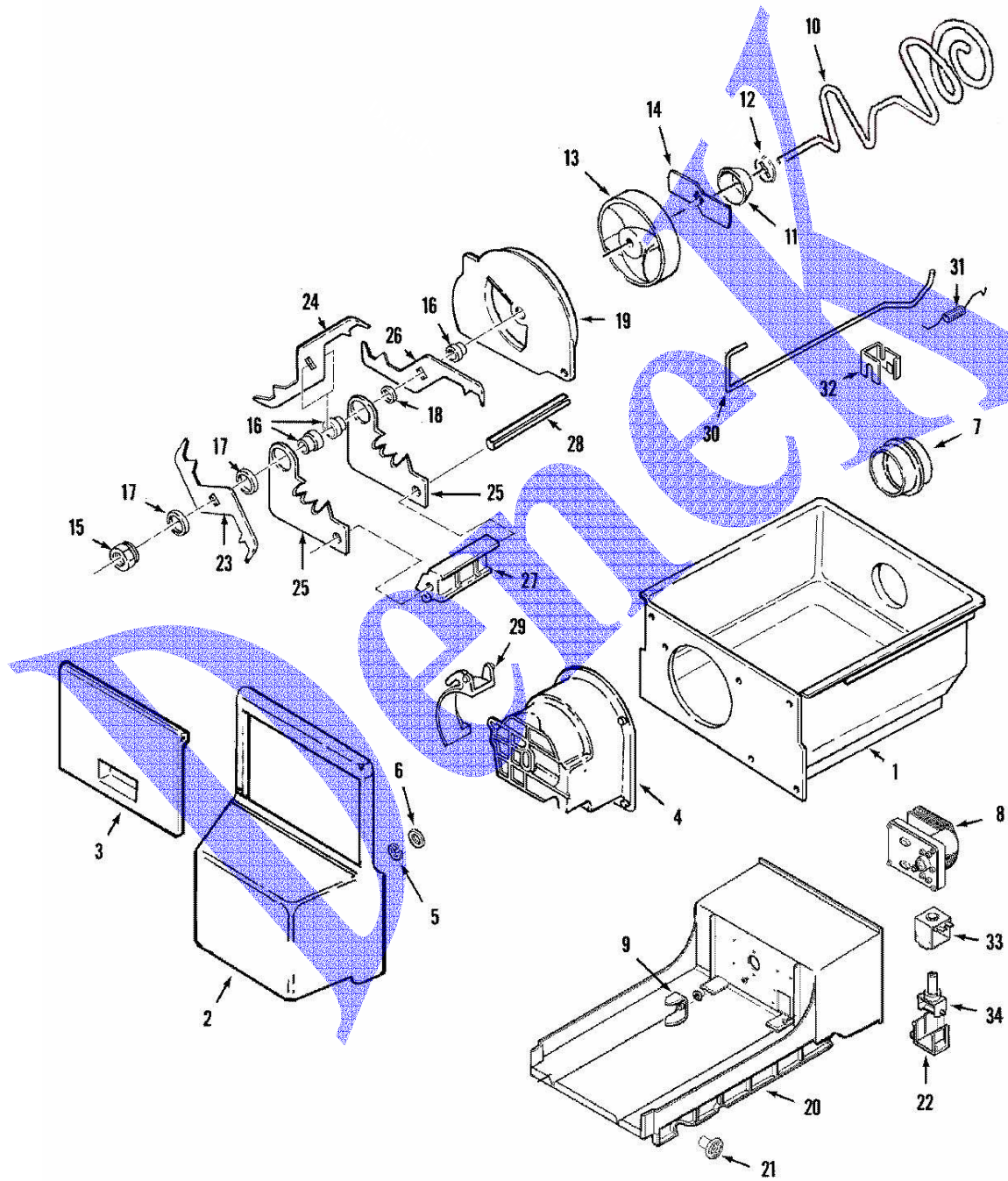
REF. MAYTAG MSD2756DEB

FRESH FOOD OUTER DOOR

- 1 61003514 LABEL, DUAL ENERGY GUIDE
- 1 61003965 PANEL, F.F. DOOR (BLK)
- 2 61004993 HANDLE, DOOR (BLK)
- 3 61004292 FRAME, HANDLE
- 4 61004302 INSERT, HANDLE (BLK)
- 5 61003351 SCREW, HANDLE TO FRAME
- 6 61002180 SCREW
- 7 61004896 HINGE, UPPER
- 7 61004763 SCREW
- 8 61001922 SHIM, UPPER HINGE
- 9 61003128 SCREW
- 9 61002361 HINGE, LOWER (BLK)
- 10 61003174 PIN, LOWER HINGE
- 11 61003537 COVER, LOWER HINGE (BLK)
- 12 61003647 CLOSER, DOOR (NATURAL)
- 12 61002180 SCREW
- 13 61003875 NAMEPLATE (BLK)
- 14 61004497 TRIM, HANDLE EXT. (UPR)
- 15 61004425 TRIM, HANDLE EXT. (LWR)
- 16 61003968 INSERT, EXT. TRIM (LWR-BLK)
- 17 61002180 SCREW
- 17 61003273 STOP, DOOR
- 18 61004679 COVER, UPPER HINGE (BLK)

REF. MAYTAG MSD2756DEB

ICE BIN



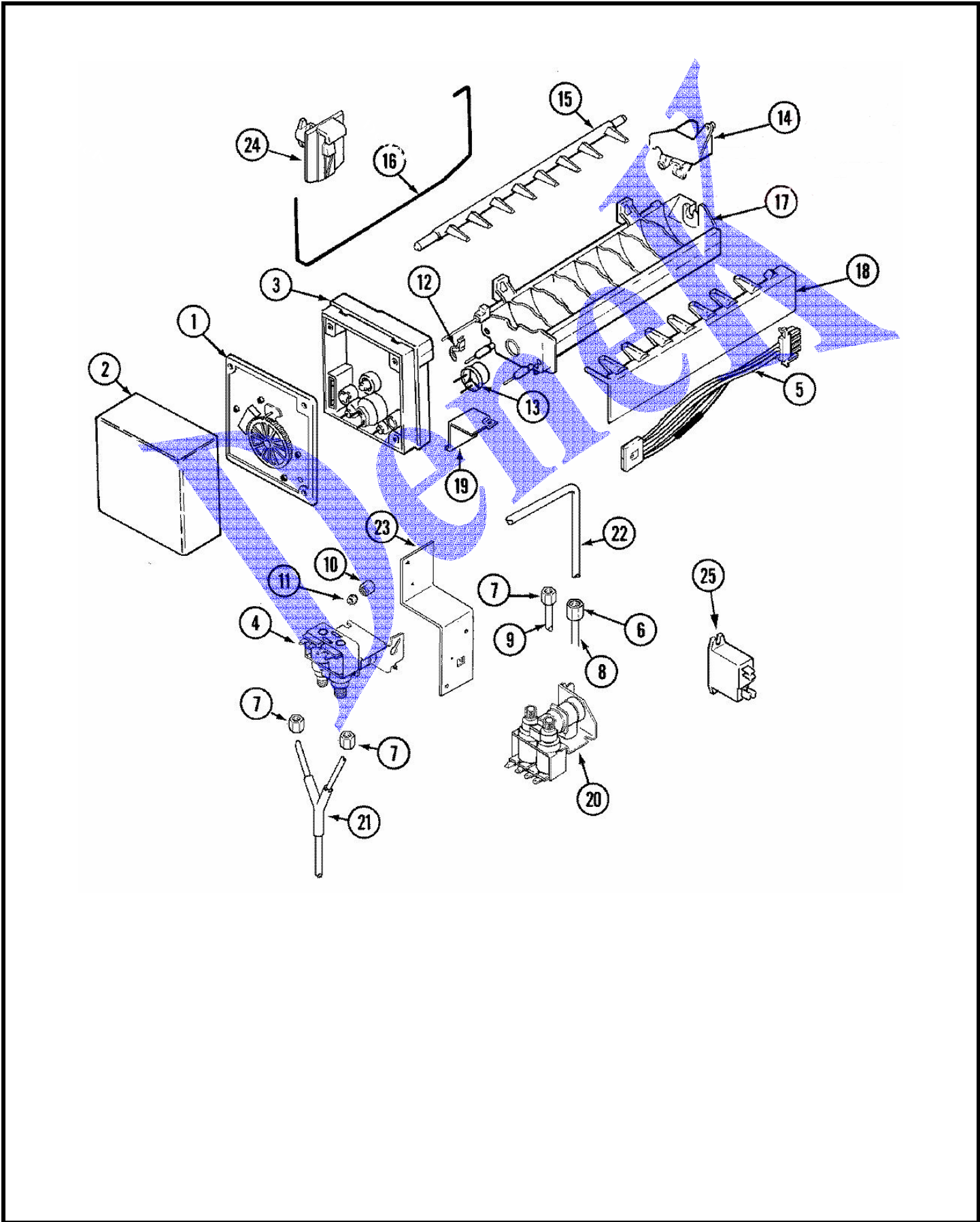
REF. MAYTAG MSD2756DEB

ICE BIN

1	61004802	BIN, ICE
2	61004803	FRONT, ICE BIN
2	415013-35	SCREW
3	61004300	DOOR, ICE ACCESS
4	61004804	HOUSING, CRUSHER
4	415013-35	SCREW
4	61004869	SEAL
5	69704-1	RING, SNAP
6	69703-1	WASHER, RETAINER
7	61003336	RING, DRIVE
8	61003324	SCREW
8	12001773	ASSY., AUGER MOTOR/YOKE
8	61005007	WIRE HARNESS, AUGER MOTOR
8	61005281	WIRE HARNESS, AUGER MOTOR
9	63052-1	YOKE ICE DISPENSER
10	61003326	AUGER
11	69699-1	CONE, ICE DEFLECTOR
12	69698-1	WASHER, CONE STOP
13	70036-1	IMPELLER
14	69755-1	PLATE, DRIVE
15	69709-1	NUT, AUGER
16	69697-1	BEARING, SPACER
17	69696-1	SPACER, CRUSHER BLADE
18	69696-2	SPACER, CRUSHER BLADE
19	69701-1	PLATE, IMPELLER
20	61004818	ENCLOSURE, ICE
20	400022-1	SCREW
21	400022-1	SCREW
21	61005080	SUPPORT, ENCLOSURE
22	400026-12	SCREW
22	69715-1	GUIDE, YOKE
23	69702-3	BLADE, CRUSHER
24	69702-2	BLADE, CRUSHER
25	69706-1	BLADE, CRUSHER
26	69702-1	BLADE, CRUSHER
27	69708-1	LOCK, FIXED BLADE
28	69705-1	PIN, BLADE LOCK
29	69718-1	DOOR, ICE CRUSHER
30	61004807	ROD, CRUSHER CONTROL
31	61004808	SPRING, CONTROL ROD
32	61004809	BRACKET, CONTROL ROD
33	61003118	SOLENOID
33	61003324	SCREW
34	61003539	YOKE ASSY.

REF. MAYTAG MSD2756DEB

ICE MAKER



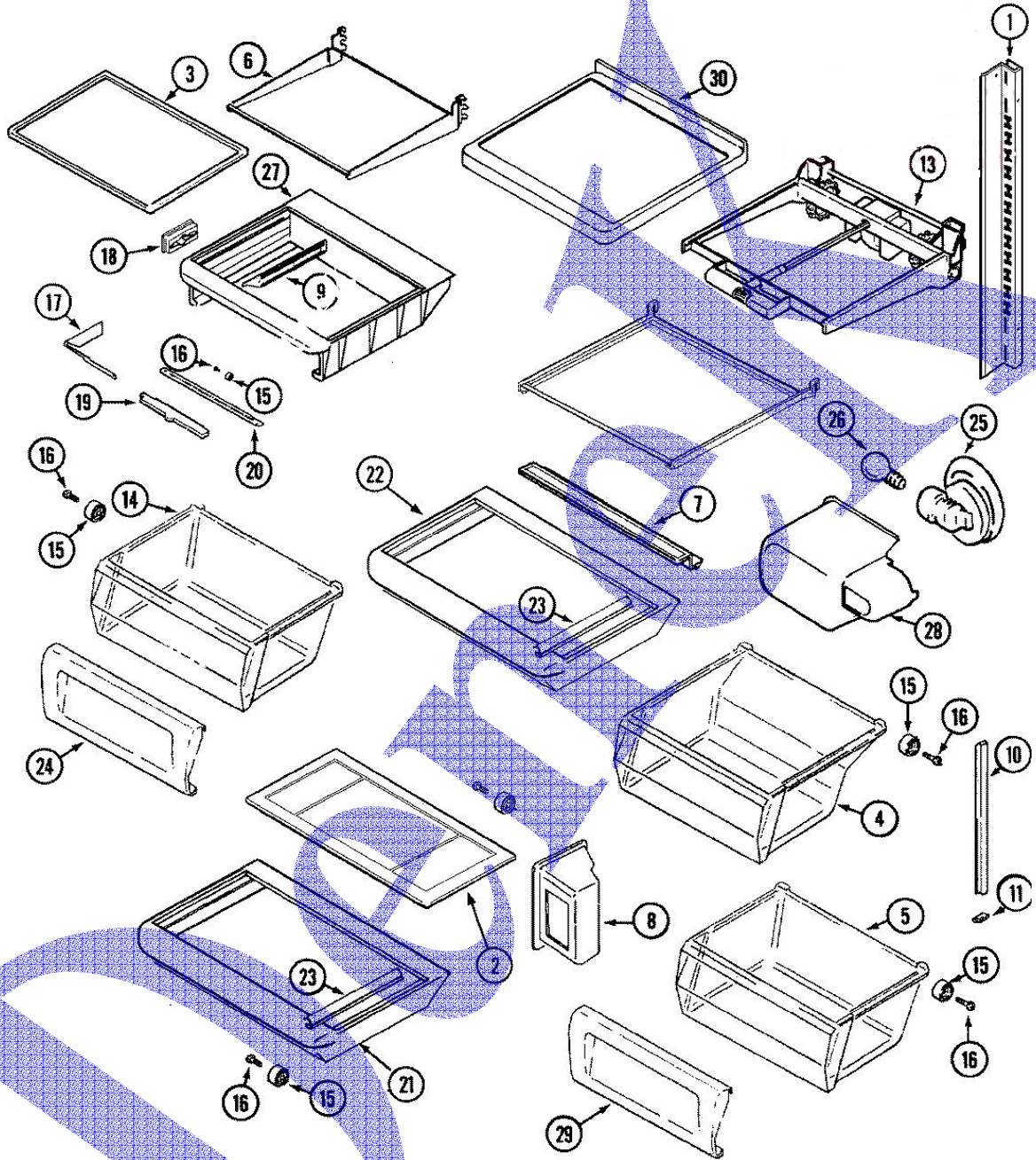
REF. MAYTAG MSD2756DEB

ICE MAKER

1	95109-1	MODULE, ICE MAKER
1	400017-1	SCREW
2	61004594	COVER, ICE MAKER
3	95106-1	SCREW
3	95103-1	SUPPORT, MODULE HOUSING
4	61003783	VALVE, WATER
4	61001885	SCREW
5	61003912	WIRE HARNESS, ICE MAKER
5	61005278	WIRE HARNESS, ICE MAKER
6	69583-2	NUT, COMPRESSION (5/16")
7	69583-1	NUT, COMPRESSION (1/4")
8	0	SEE NOTE
9	67579-1	TUBE VALVE
10	69432-1	NUT, BRASS (1/4")
11	69431-1	SLEEVE, BRASS
12	95104-1	RETAINER, THERMOSTAT
13	95092-1	THERMOSTAT
13	95093-1	CEMENT, ALUMILASTIC (4 OZ.)
14	95100-1	INLET, WATER
15	95101-1	EJECTOR, ICE
16	61004136	ARM, SENSOR
17	95098-1	MOLD & HEATER ASSY.
18	95102-1	STRIPPER, ICE
19	95108-1	SCREW, BRACKET
19	95107-1	BRACKET, MODULE & HEATER
20	61001885	SCREW
20	61004823	VALVE, WATER (ICE MAKER)
21	61004391	GROMMET ASSY., WATER LINE
21	61001161	CLAMP, WATER LINE
21	61005058	CLIP, WATER LINE (ADHESIVE)
22	61004392	GROMMET ASSY., WATER LINE
23	61003732	BRACKET, WATER VALVE
23	61002819	SCREW
24	61005028	SUPPORT, ICE MAKER
25	61005057	SCREW
25	61005004	RELAY
25	61005006	WIRE HARNESS, RELAY

REF. MAYTAG MSD2756DEB

SHELVES & ACCESSORIES



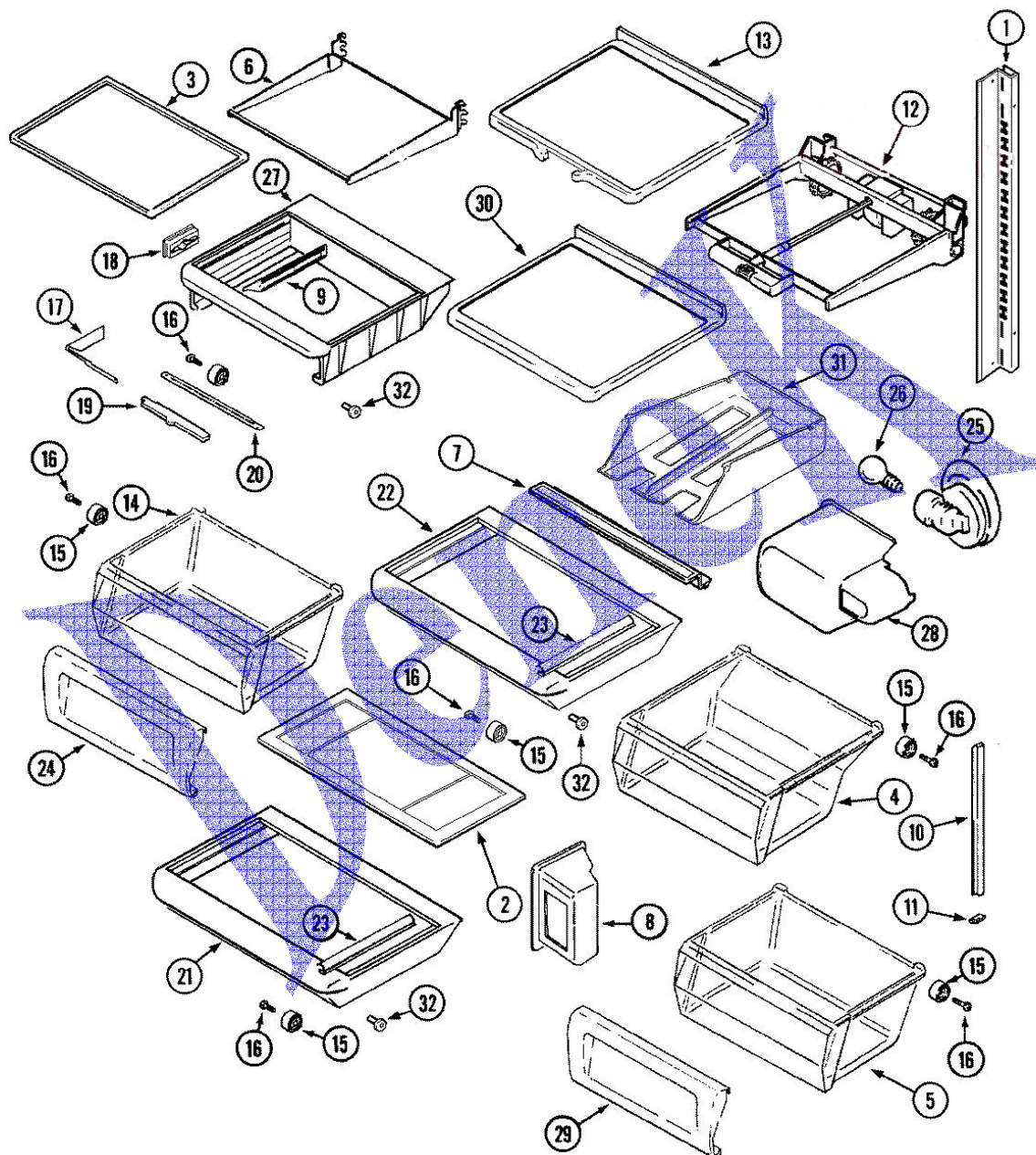
REF. MAYTAG MSD2756DEB

SHELVES & ACCESSORIES

1	61003708	RAIL, SHELF SUPPORT
1	400026-12	SCREW
2	61004985	COVER, CRISPER SHELF (LWR)
2	61005076	COVER, CRISPER SHELF (UPR)
3	61003928	GLASS, MEAT SHELF
4	61003929	PAN, CRISPER
5	61004568	PAN, CRISPER (LWR)
6	61004229	FRAME, SHELF
6	61003738	FRAME, SLIDE OUT SHELF
7	61005045	SEAL, CRISPER SHELF (REAR)
8	61004287	COVER ASSY., AIR RETURN
9	61003723	COVER, MEAT CONTROL TAPE
9	415013-35	SCREW
10	61003888	STRIP, FILLER (SIDES)
11	400019-1	SCREW
11	61004110	BASE, FILLER STRIP (LT)
11	61004109	BASE, FILLER STRIP (RT)
12	61003933	FRAME ASSY., ELEVATOR SHELF
12	61004480	GLIDE, SHELF
13	61004389	SHELF, ELEVATOR
14	61003934	PAN, MEAT
15	67423-2	ROLLER, PAN
16	65275-6	SCREW
17	61003943	TAPE, MEAT CONTROL
18	61003725	RETAINER, DUCT
18	61003785	DUCT, AIR (MEAT)
19	61003674	SLIDE, CONTROL (MEAT)
20	61003784	COVER, MEAT PAN SLIDE
20	415013-35	SCREW
21	61003936	FRAME, CRISPER SHELF
22	61003937	FRAME, CRISPER SHELF
23	61003938	SEAL, CRISPER SIDE
23	61003714	SEAL, CRISPER SIDE (UPR)
24	61004494	FRONT ASSY., MEAT PAN
25	61003379	RECEPTACLE, BULB
26	61001787	BULB, LIGHT
27	61003940	FRAME, MEAT SHELF
28	61003439	SHIELD, LIGHT
29	61003932	SEAL, CRISPER SHELF
29	61005077	FRONT ASSY., CRISPER PAN
30	61003942	SHELF, SLIDE-OUT
31	61002406	RACK, CAN
32	400017-1	SCREW
32	61005338	SCREW
32	61005337	SUPPORT, CRISPER SHELF
32	67764-1	SUPPORT, CRISPER SHELF

REF. MAYTAG MSD2756DEB

SHELVES & ACCESSORIES 2



REF. MAYTAG MSD2756DEB

SHELVES & ACCESSORIES 2

1	61003708	RAIL, SHELF SUPPORT
1	400026-12	SCREW
2	61004985	COVER, CRISPER SHELF (LWR)
2	61005076	COVER, CRISPER SHELF (UPR)
3	61003928	GLASS, MEAT SHELF
4	61003929	PAN, CRISPER
5	61004568	PAN, CRISPER (LWR)
6	61004229	FRAME, SHELF
6	61003738	FRAME, SLIDE OUT SHELF
7	61005045	SEAL, CRISPER SHELF (REAR)
8	61004287	COVER ASSY., AIR RETURN
9	61003723	COVER, MEAT CONTROL TAPE
9	415013-35	SCREW
10	61003888	STRIP, FILLER (SIDES)
11	400019-1	SCREW
11	61004110	BASE, FILLER STRIP (LT)
11	61004109	BASE, FILLER STRIP (RT)
12	61003933	FRAME ASSY., ELEVATOR SHELF
12	61004480	GLIDE, SHELF
13	61004389	SHELF, ELEVATOR
14	61003934	PAN, MEAT
15	67423-2	ROLLER, PAN
16	65275-6	SCREW
17	61003943	TAPE, MEAT CONTROL
18	61003725	RETAINER, DUCT
18	61003785	DUCT, AIR (MEAT)
19	61003674	SLIDE, CONTROL (MEAT)
20	61003784	COVER, MEAT PAN SLIDE
20	415013-35	SCREW
21	61003936	FRAME, CRISPER SHELF
22	61003937	FRAME, CRISPER SHELF
23	61003938	SEAL, CRISPER SIDE
23	61003714	SEAL, CRISPER SIDE (UPR)
24	61004494	FRONT ASSY., MEAT PAN
25	61003379	RECEPTACLE, BULB
26	61001787	BULB, LIGHT
27	61003940	FRAME, MEAT SHELF
28	61003439	SHIELD, LIGHT
29	61003932	SEAL, CRISPER SHELF
29	61005077	FRONT ASSY., CRISPER PAN
30	61003942	SHELF, SLIDE-OUT
31	61002406	RACK, CAN
32	400017-1	SCREW
32	61005338	SCREW
32	61005337	SUPPORT, CRISPER SHELF
32	67764-1	SUPPORT, CRISPER SHELF