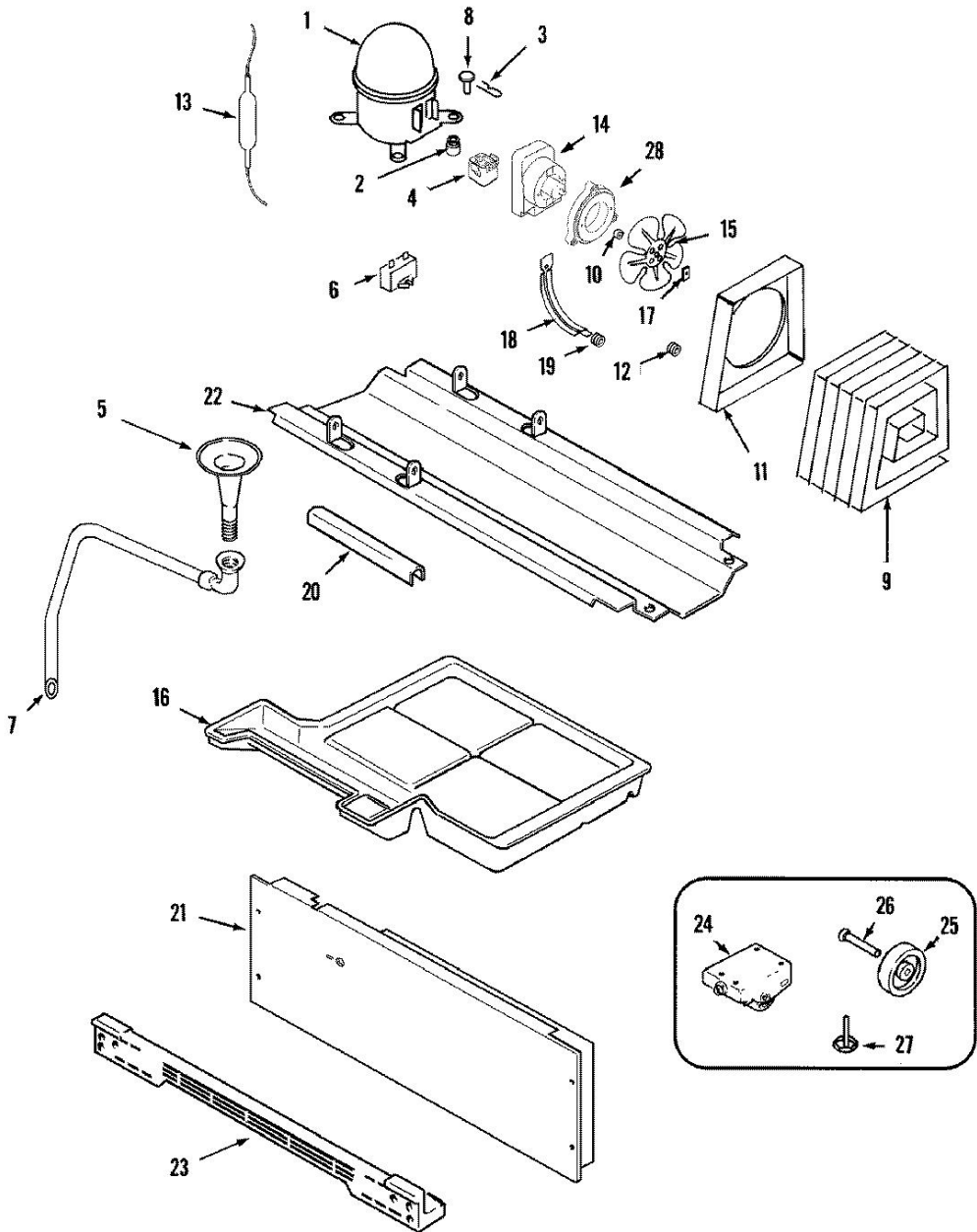


Refrigerador Maytag MSD2756GES





Refrigerador Maytag MSD2756GES

Guía	N.P.	Serie	Descripción
1	12001834	Series 10	KIT, COMPRESSOR (R134A)
1	12002053	Series 21	KIT, COMPRESSOR (R134A)
1	12002164	Series 28	KIT, COMPRESSOR (R134A)
1	61005322	Series 10	WIRE HARNESS, COMPRESSOR
2	10835901	Series 28	GROMMET, COMPRESSOR
2	61005241	Series 10	GROMMET, COMPRESSOR
3	61003099	Series 10	CLIP, COMPRESSOR
4	61005271	Series 10	RELAY/OVERLOAD ASSY.
4	61005620	Series 10	CLIP, RELAY/OVERLOAD ASSY.-NA
4	61006186	Series 28	RELAY/OVERLOAD ASSY.
4	61006187	Series 28	CLIP, RELAY/OVERLOAD ASSY.
5	61004751	Series 10	TUBE, DRAIN
6	400017-1	Series 10	SCREW
6	65889-4	Series 10	CAPACITOR, RUN
7	53516-9	Series 10	CLAMP
7	61003133	Series 10	HOSE, DRAIN
8	52656-2	Series 10	PLUG, COMPRESSOR
9	61005452	Series 10	CONDENSER
10	61001686	Series 10	WASHER, FAN BLADE
11	61001941	Series 10	SHROUD, CONDENSER
12	61002033	Series 10	GROMMET, CONDENSER TUBING
13	13900-1	Series 10	DRIER
14	61005323	Series 10	MOTOR, CONDENSER FAN
14	61005324	Series 10	SCREW
15	60683-1	Series 10	BLADE, CONDENSER FAN
16	61002649	Series 10	PAN, DRAIN
17	19914	Series 10	CLIP, FAN BLADE
18	69181-1	Series 10	BRACKET, FAN MOTOR



Refrigerador Maytag MSD2756GES

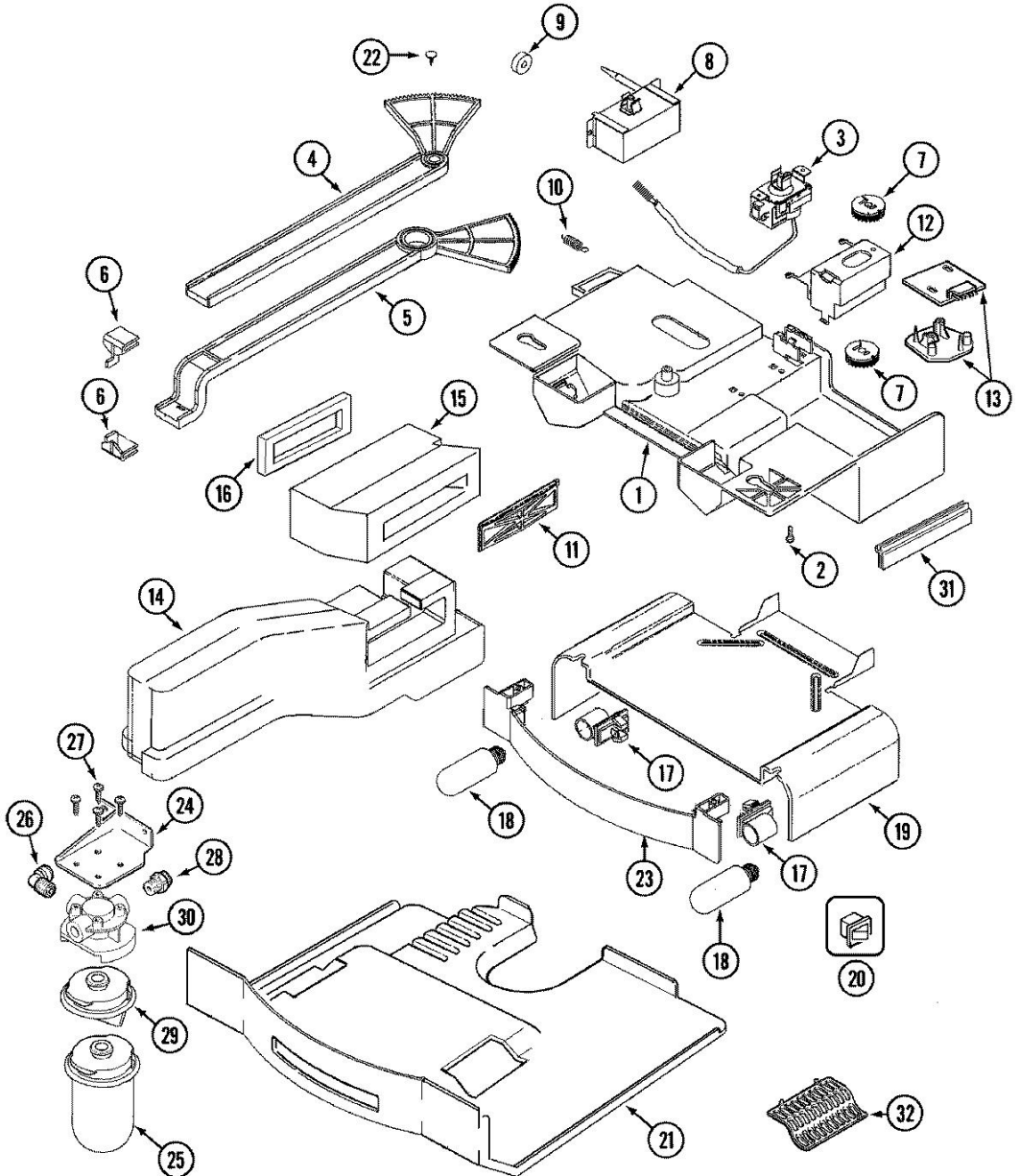
Guía	N.P.	Serie	Descripción
19	61004743	Series 10	GROMMET, BRACKET
20	61004584	Series 10	ISOLATOR, CONDENSER
21	61004674	Series 10	COVER, COMPRESSOR COMPARTMENT
21	65275-50	Series 10	SCREW
22	61002407	Series 10	SCREW
22	61005269	Series 10	PAN, COMPRESSOR MTG.
23	400016-1	Series 10	SCREW
23	61004055	Series 10	KICKPLATE (BLK)
24	61005232	Series 10	WHEEL ASSY. (FRT)
25	61003826	Series 10	WHEEL (REAR)
26	61002104	Series 10	PIN, WHEEL
27	61002014	Series 10	LEG, LEVELING
28	61005325	Series 10	ADAPTER, FAN MOTOR
28	61005326	Series 10	SCREW
29	12001548	Series 10	YODER LOOP HTR(115V)27,29,23CD
30	61005298	Series 10	MANUAL, USE & CARE (TRILNGUL)
31	16009103	Series 10	MANUAL, SERVICE SXS APD

Distribuidor Autorizado

SurteRápido.com

Venta de Refacciones
Electrodomesticas

Refrigerador Maytag MSD2756GES





Refrigerador Maytag MSD2756GES

Guía	N.P.	Serie	Descripción
1	61003228	Series 10	FOIL, HEAT SHIELD
1	61004424	Series 10	SCREW
1	61005043	Series 10	HOUSING ASSY., AUTO DAMPER
1	61005971	Series 18	HOUSING ASSY., AUTO DAMPER
2	61004314	Series 10	SCREW (No.8 AB)
3	400016-1	Series 10	SCREW
3	61005438	Series 10	CONTROL ASSY., TEMPERATURE
3	61005651	Series 12	CONTROL ASSY., TEMPERATURE
4	61003287	Series 10	ROD, DAMPER CONTROL
5	61003293	Series 10	ROD, TEMP. CONTROL
6	61004591	Series 10	END CAP, CONTROL ROD
7	61003305	Series 10	GEAR, CONTROL SLIDE
8	61003359	Series 10	SCREW
8	61005044	Series 10	DAMPER, AUTO
9	61003358	Series 10	WASHER, DAMPER ROD
10	61003141	Series 10	SPRING, DAMPER DOOR
11	61003235	Series 10	DOOR, DAMPER
12	61003315	Series 10	SUPPORT, TEMP. CONTROL
13	12002104	Series 25	DEFROST KIT, ENHANCED ADAPTIVE
13	405007-1	Series 10	SCREW
13	61003990	Series 10	DEFROST ASSY., ADAPTIVE
13	61005951	Series 18	SCREW
13	61005988	Series 18	DEFROST ASSY., ADAPTIVE
14	61003229	Series 10	INSULATION, DISCHARGE (LT)
14	61003230	Series 10	INSULATION, DISCHARGE (RT)
14	61005972	Series 18	INSULATION, DISCHARGE (RT)
15	61005075	Series 10	SEAL, TUNNEL (DOUBLE-SIDED)
15	61005328	Series 10	TUNNEL, CONTROL HOUSING



Refrigerador Maytag MSD2756GES

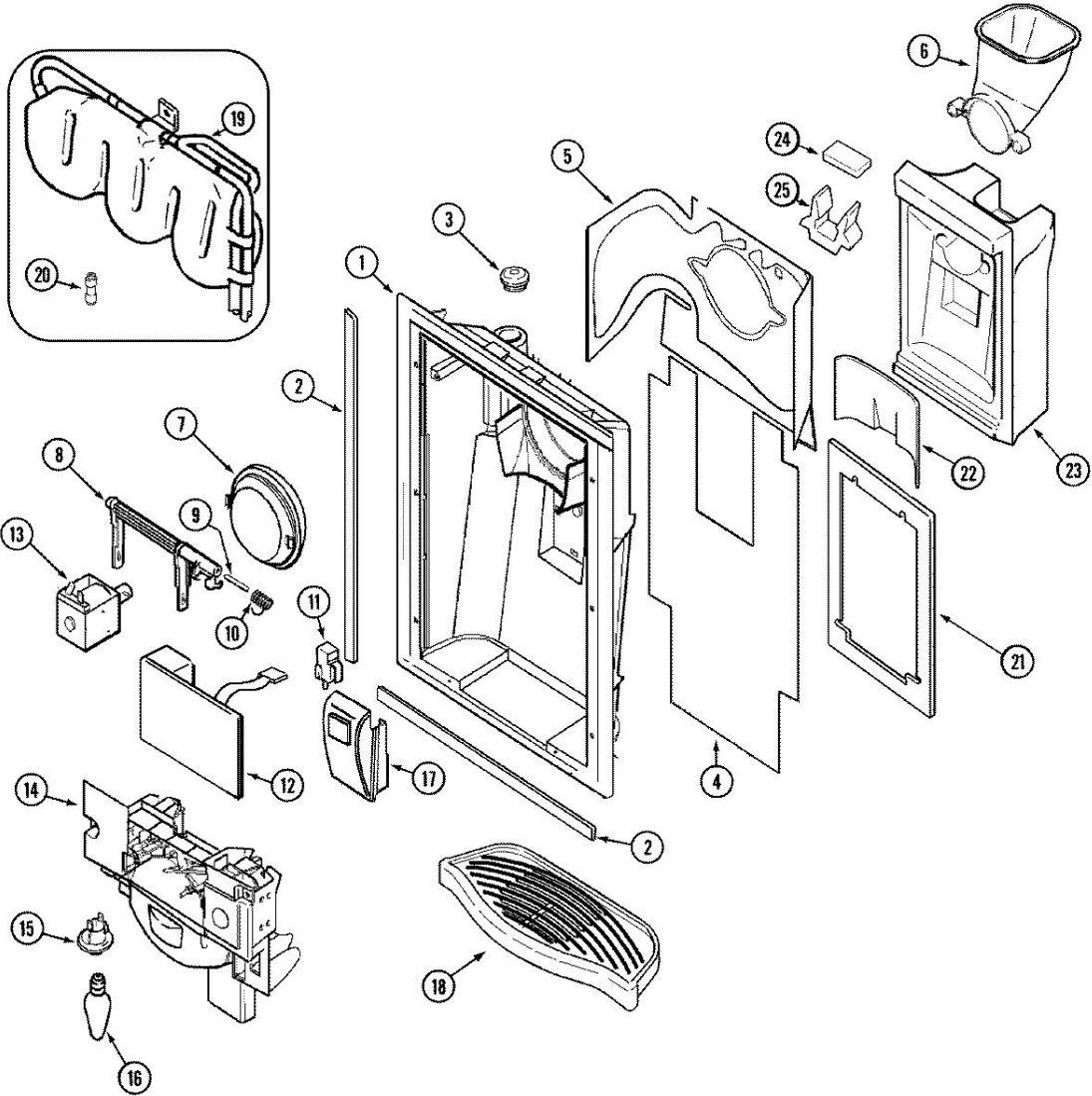
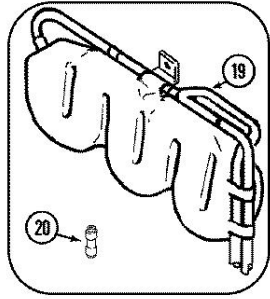
Guía	N.P.	Serie	Descripción
15	61006038	Series 18	TUNNEL, CONTROL HOUSING
16	61003819	Series 10	SEAL, TUNNEL
17	61003237	Series 10	RECEPTACLE, BULB
17	61005973	Series 18	RECEPTACLE, BULB
18	61003236	Series 10	BULB, LIGHT
18	61003354	Series 10	BARRIER, FOIL (LT)
18	61003355	Series 10	BARRIER, FOIL (RT)
18	61005974	Series 18	FOIL (RT)
18	61005975	Series 18	FOIL (LT)
19	61003238	Series 10	SHIELD, HEAT
19	61005976	Series 18	SHIELD, HEAT
20	61003661	Series 10	SWITCH, LIGHT
20	61006166	Series 27	SWITCH, LIGHT
21	61003924	Series 10	SHIELD, LIGHT
22	61003316	Series 10	RETAINER, CONTROL ROD
23	61004380	Series 10	PANEL, CONTROL
24	61003698	Series 10	BRACKET, WATER FILTER
25	EDR7D1	Series 10	FILTER, WATER
26	61003705	Series 10	FITTING ASSY., WATER FILTER
27	61003796	Series 10	SCREW
28	61003790	Series 10	FITTING, WATER FILTER
29	61003791	Series 10	PLUG, FILTER BYPASS
30	61003789	Series 10	HEAD, WATER FILTER
31	61003891	Series 10	TRIM, CONTROL HOUSING
32	61004590	Series 10	GRILL, LIGHT
33	61005329	Series 10	WIRE HARNESS, CONTROLS
33	61006124	Series 18	WIRE HARNESS, CONTROLS
34	61004262	Series 10	WIRE HARNESS, FRZ./F.F.

Distribuidor Autorizado

SurteRápido.com

Venta de Refacciones
Electrodomesticas

Refrigerador Maytag MSD2756GES





Refrigerador Maytag MSD2756GES

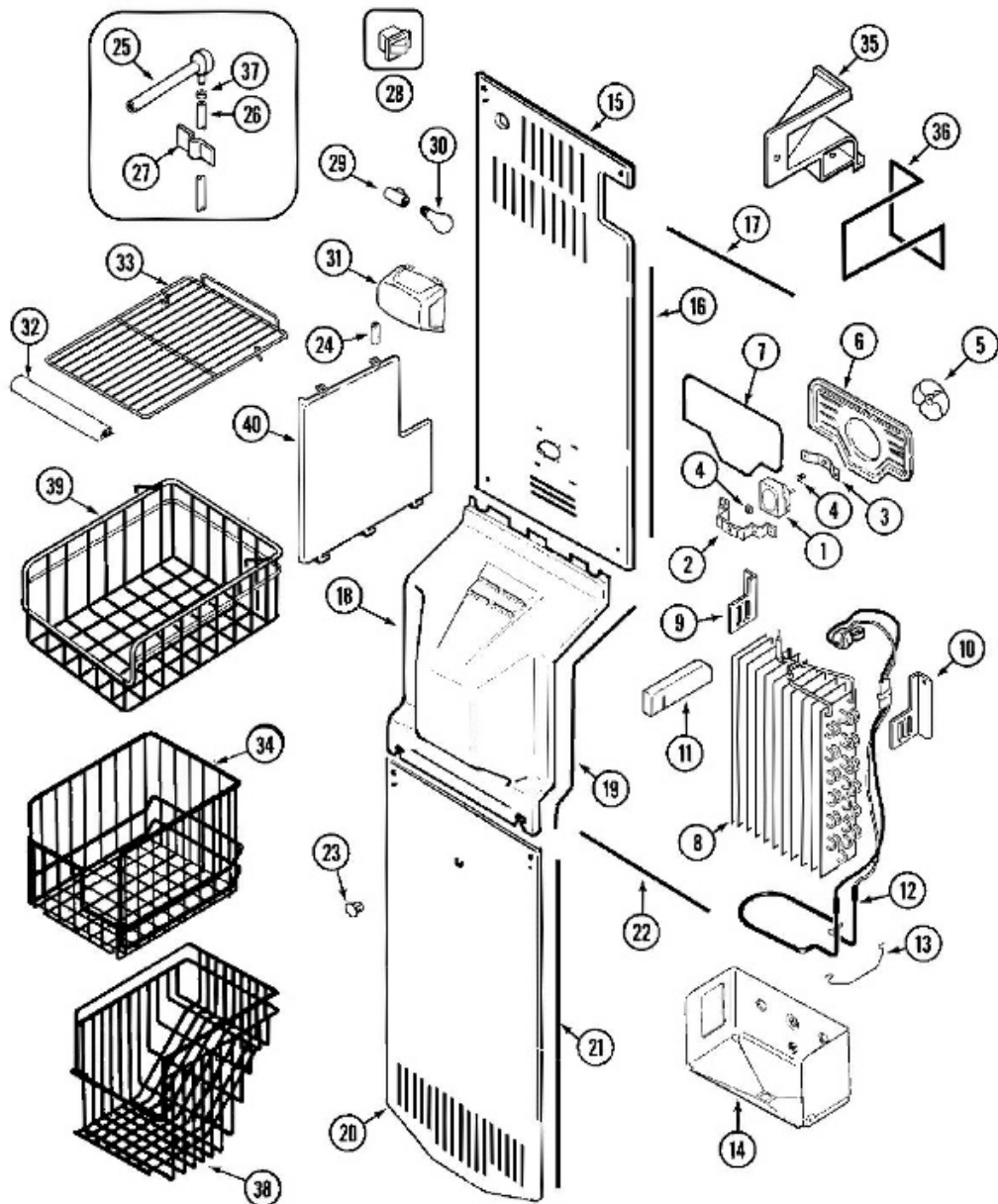
Guía	N.P.	Serie	Descripción
1	61004681	Series 10	HOUSING, FOUNTAIN (BLK)
2	61003286	Series 10	TAPE (1FT.)
3	61003300	Series 10	GROMMET, WATER TUBE
4	61003304	Series 10	FOIL, FTN. BACK
5	61005001	Series 10	HEATER, FOUNTAIN
6	61004677	Series 10	CHUTE, ICE
7	12001991	Series 10	KIT, FOUNTAIN ICE DOOR (115V)
8	Y00000000	Series 10	SEE NOTE (STRIKE NOT AVAILABLE)
9	61003303	Series 10	PIN, ROLL
10	61004388	Series 10	SPRING, FTN. RETURN
11	415041-35	Series 10	SCREW
11	61003124	Series 10	SWITCH, LIMIT
12	61005274	Series 10	BOARD, CONTROL
12	61005372	Series 10	BARRIER
13	61003297	Series 10	SCREW
14	61003803	Series 10	BRACKET, FOUNTAIN (BLK)
15	70119-1	Series 10	RECEPTACLE, BULB
16	63179-1	Series 10	BULB, LIGHT
17	61003804	Series 10	PAD, ACTUATOR (BLK)
18	61005460	Series 10	GRILL (BLK)
19	61003689	Series 10	TANK ASSY., WATER
20	61001614	Series 10	UNION, REDUCING (5/16``-5/16``)
21	61003339	Series 10	INSULATION
22	61003340	Series 10	INSULATION
23	61004724	Series 10	INSULATION, FTN. (STYROFOAM)
24	61003343	Series 10	INSULATION
25	61003308	Series 10	INSULATION
26	61005275	Series 10	WIRE HARNESS, FTN.

Distribuidor Autorizado

SurteRápido.com

Venta de Refacciones
Electrodomesticas

Refrigerador Maytag MSD2756GES





Refrigerador Maytag MSD2756GES

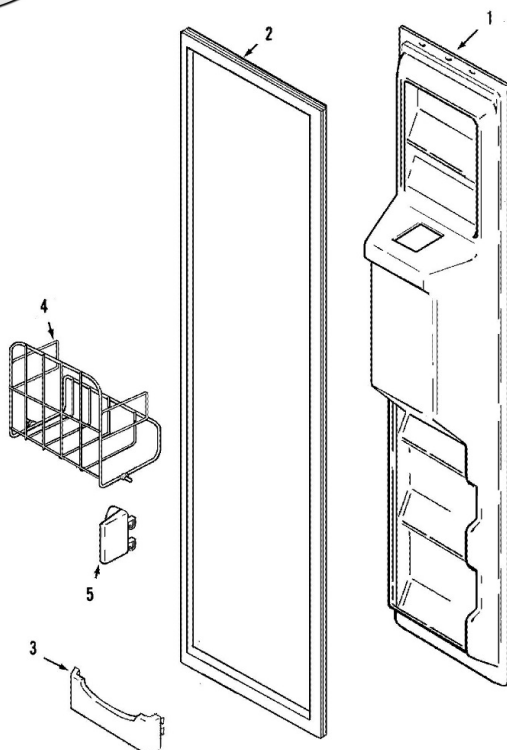
Guía	N.P.	Serie	Descripción
1	61005339	Series 10	MOTOR, EVAPORATOR FAN
2	61001930	Series 10	BRACKET, EVAPORATOR FAN
3	61005240	Series 10	SCREW
3	61005340	Series 10	RETAINER, EVAPORATOR FAN
4	61005341	Series 10	BUSHING, EVAPORATOR FAN
5	61004522	Series 10	BLADE, EVAPORATOR FAN
6	61003898	Series 10	SHROUD, FAN
7	61003828	Series 10	SEAL, FAN SHROUD
8	12001641	Series 10	EVAP/HEAT EXCH,ASSY27,29,CDSXS
9	61003215	Series 10	BRACKET, EVAPORATOR (LT)
10	61003216	Series 10	BRACKET, EVAPORATOR (RT)
11	61003213	Series 10	BLOCK, AIR
12	61004310	Series 10	HEATER & THERM. ASSY., DEFROST
13	61004152	Series 10	CLIP, DEFROST HEATER
14	61003830	Series 10	HOUSING, EVAPORATOR
15	61004028	Series 10	COVER, COIL (UPR)
15	61005730	Series 16	COVER, COIL (UPR)
16	61003832	Series 10	SEAL, UPPER COVER (LT)
16	61003833	Series 10	SEAL, UPPER COVER (RT)
17	61003834	Series 10	SEAL, UPPER COVER (TOP)
18	61003835	Series 10	COVER, EVAPORATOR FAN
19	61003209	Series 10	SEAL
20	61003836	Series 10	COVER, COIL (LWR)
20	61004424	Series 10	SCREW
21	61003212	Series 10	SEAL
22	61003837	Series 10	SEAL, LOWER COVER
23	61001952	Series 10	PLUG BUTTON, EVAP. COVER
24	12001952	Series 10	KIT, ICE MAKER AIR TUNNEL



Refrigerador Maytag MSD2756GES

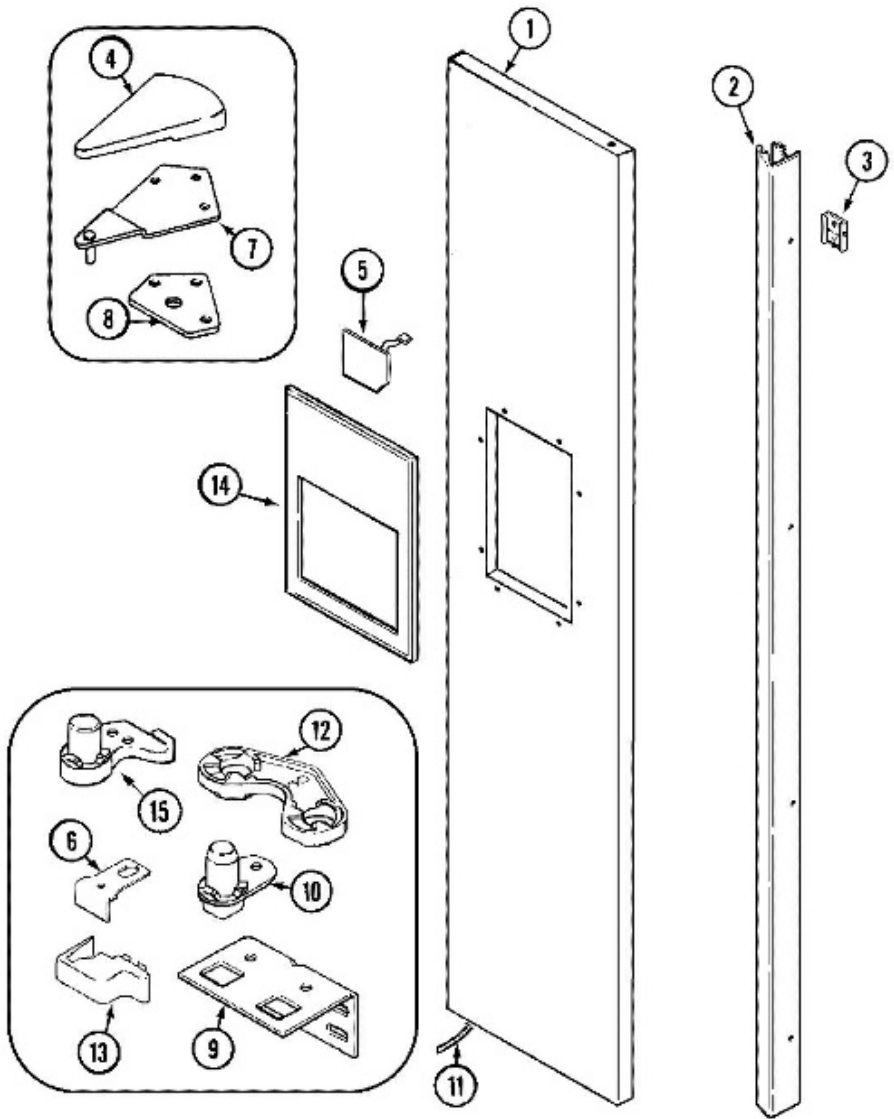
Guía	N.P.	Serie	Descripción
24	61005812	Series 16	TUNNEL, AIR
25	61005233	Series 10	GROMMET, FILL TUBE
25	61005743	Series 15	GROMMET, FILL TUBE
26	67579-1	Series 10	TUBE, VALVE
27	61004913	Series 10	CLIP, WATER LINE (ADHESIVE)
28	61005052	Series 10	SWITCH, LIGHT
28	61006167	Series 27	SWITCH, LIGHT
29	61005748	Series 14	RECEPTACLE, BULB
29	68974-3	Series 10	RECEPTACLE, BULB
30	31956-1	Series 10	BULB, LIGHT
31	61002272	Series 10	SHIELD, LIGHT
32	61003950	Series 10	TRIM, SHELF (FRT)
33	61003951	Series 10	SHELF, FRZ.
34	61003993	Series 10	BASKET, PIZZA
35	61003205	Series 10	DIVERTER, AIR
36	61003206	Series 10	SEAL, AIR DIVERTER
37	61001161	Series 10	CLAMP, WATER LINE
38	61003841	Series 10	BASKET, FRZ.
39	61003954	Series 10	BASKET, FRZ. (HALF)
40	61003900	Series 10	DIVIDER, DISPENSER ENCLOSURE
41	68823-1	Series 10	SPACER, DIVIDER
42	61003731	Series 10	WIRE HARNESS, FRZ.
42	61005351	Series 10	WIRE HARNESS, FAN & HEATER

Refrigerador Maytag MSD2756GES



Guía	N.P.	Serie	Descripción
1	61003854	Series 10	LINER, FRZ. DOOR
1	61003917	Series 10	INSERT, LINER SUPPORT(TOP/BTM)
1	61004741	Series 10	INSERT, LINER SUPPORT (SIDE)
1	61005388	Series 10	SCREW
2	61003911	Series 10	SEAL, FRZ. DOOR (BLK)
3	61004352	Series 10	FRONT, PICK-OFF
4	61003988	Series 10	BASKET, TILTDOWN
5	61003753	Series 10	STOP, BASKET (LT)
5	61003754	Series 10	STOP, BASKET (RT)

Refrigerador Maytag MSD2756GES

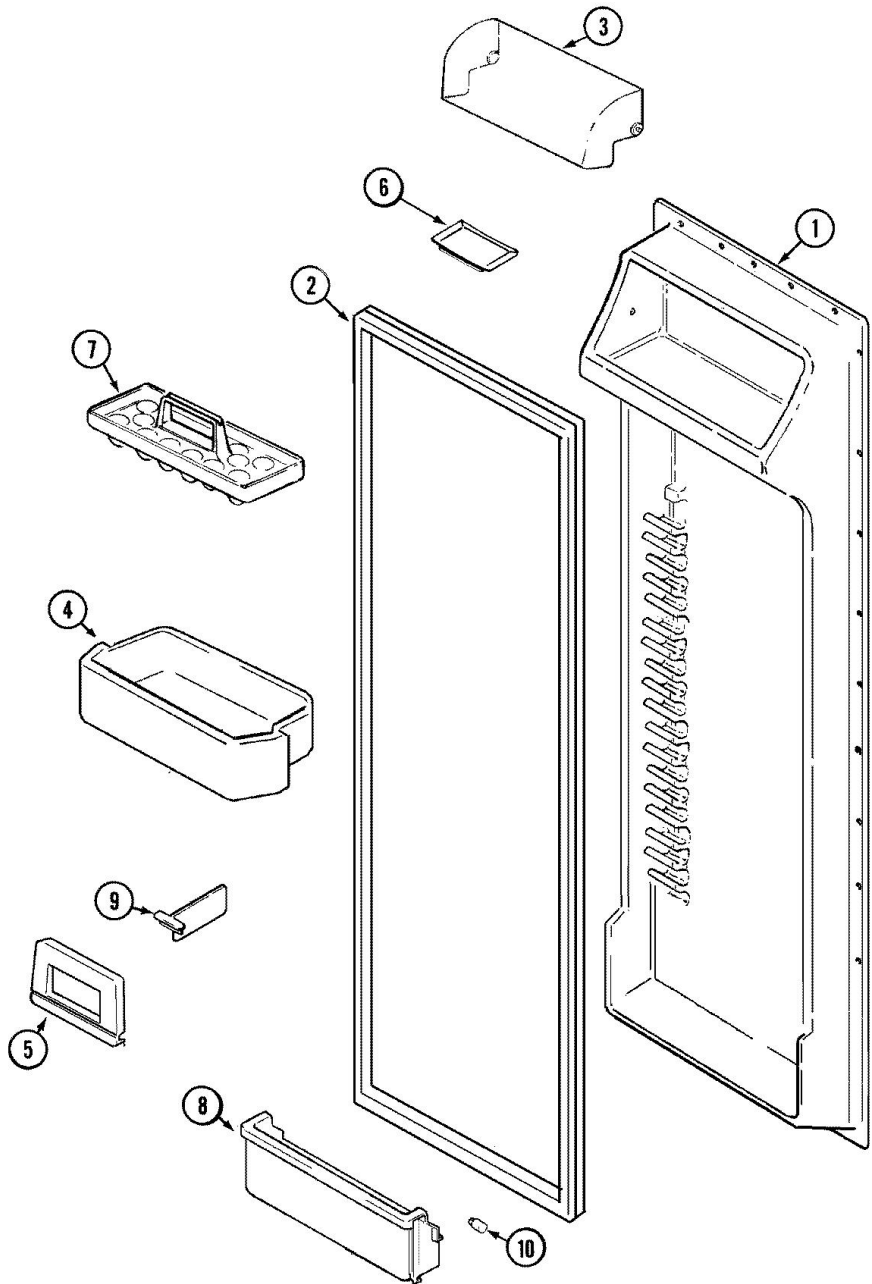




Refrigerador Maytag MSD2756GES

Guía	N.P.	Serie	Descripción
1	61005510	Series 10	PANEL, FRZ. DOOR (STNLS)
1	61005755	Series 13	PANEL, FRZ. DOOR (STNLS)
1	61006184	Series 30	PANEL, FRZ. DOOR (STNLS)
2	61004258	Series 10	HANDLE, DOOR (STNLS)
2	61004393	Series 10	SCREW (STNLS)
3	61004179	Series 10	BASE, HANDLE
4	61004641	Series 10	SCREW, COVER
4	61004867	Series 10	COVER, UPPER HINGE (SLV)
5	61003422	Series 10	SCREW
5	61005277	Series 10	BOARD, FTN. SWITCH
6	61002180	Series 13	SCREW
6	61003273	Series 10	STOP, DOOR
7	61004763	Series 10	SCREW
7	61004896	Series 10	HINGE, UPPER
8	61001922	Series 10	SHIM, UPPER HINGE
9	61002361	Series 10	HINGE, LOWER (BLK)
9	61003128	Series 10	SCREW
10	61003174	Series 10	PIN, LOWER HINGE
11	61001614	Series 10	UNION, REDUCING (5/16``-5/16``)
11	61004569	Series 10	TUBING, FOUNTAIN
12	61003647	Series 10	CLOSER, DOOR (NATURAL)
13	61003529	Series 10	COVER, LOWER HINGE (BLK)
14	415013-3	Series 10	SCREW
14	61005457	Series 10	ESCUTCHEON (BLK)
15	61005726	Series 13	CLOSER, DOOR (W/CUP)

Refrigerador Maytag MSD2756GES

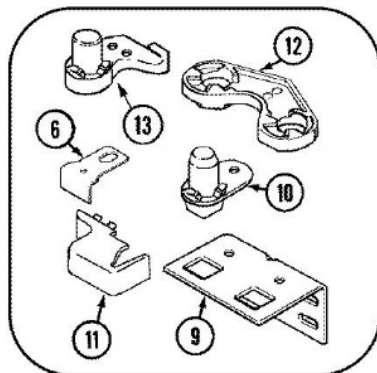
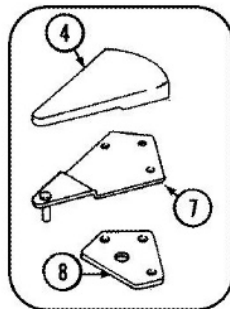
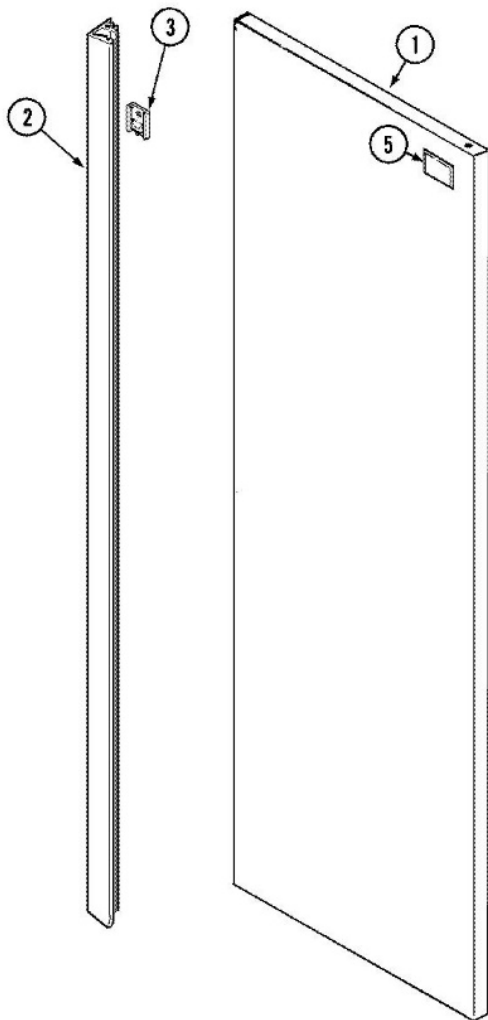




Refrigerador Maytag MSD2756GES

Guía	N.P.	Serie	Descripción
1	12002002	Series 20	KIT, F.F. DOOR LINER
1	61003979	Series 10	INSERT, LINER SUPPORT (SIDES)
1	61003980	Series 10	INSERT, LINER SUPPORT(TOP/BTM)
1	61005388	Series 10	SCREW
1	61005414	Series 10	LINER, F.F. DOOR
2	61003904	Series 10	SEAL, F.F. DOOR (BLK)
3	61003995	Series 10	DOOR, DAIRY
4	61005209	Series 10	SHELF, PICK-OFF
5	61002273	Series 10	RETAINER, BOTTLE
6	29936-2	Series 10	TRAY, BUTTER
7	60066-1	Series 10	TRAY, EGG
8	61004427	Series 10	BUCKET, TIP-OUT
9	61002274	Series 10	ORGANIZER, SHELF
10	61002719	Series 10	STOP, BUCKET
10	61005929	Series 20	STOP, BUCKET

Refrigerador Maytag MSD2756GES





Refrigerador Maytag MSD2756GES

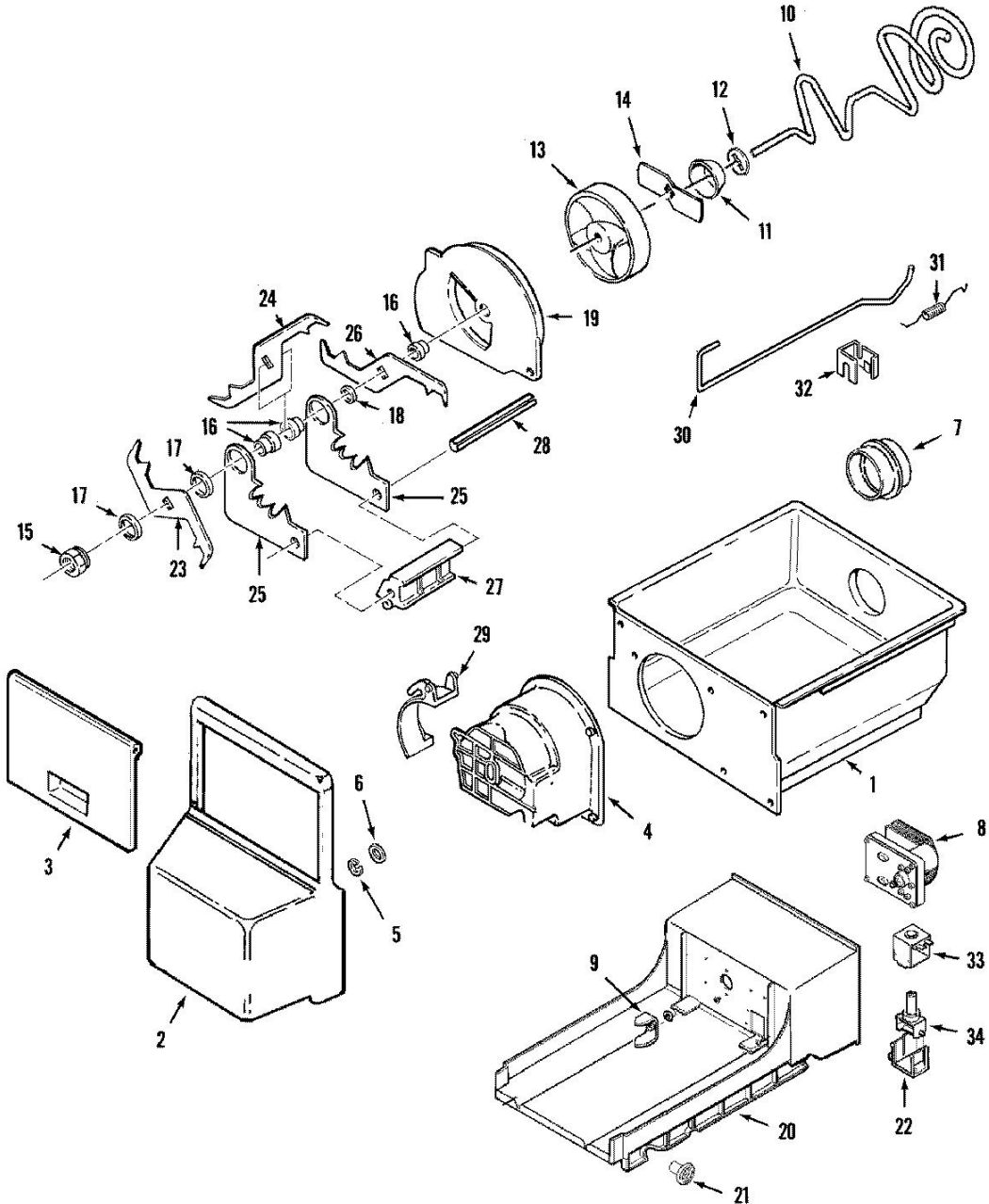
Guía	N.P.	Serie	Descripción
1	61005515	Series 10	PANEL, F.F. DOOR (STNLS)
1	61005681	Series 10	LABEL, DUAL ENERGY GUIDE
1	61005802	Series 29	PANEL, F.F. DOOR (STNLS)
1	61006183	Series 30	PANEL, F.F. DOOR (STNLS)
2	61004258	Series 10	HANDLE, DOOR (STNLS)
2	61004393	Series 10	SCREW (STNLS)
3	61004179	Series 10	BASE, HANDLE
4	61004868	Series 10	COVER, UPPER HINGE (SLV)
5	61003875	Series 10	NAMEPLATE (BLK)
6	61002180	Series 10	SCREW
6	61003273	Series 10	STOP, DOOR
7	61004763	Series 10	SCREW
7	61004896	Series 10	HINGE, UPPER
8	61001922	Series 10	SHIM, UPPER HINGE
9	61002361	Series 10	HINGE, LOWER (BLK)
9	61003128	Series 10	SCREW
10	61003174	Series 10	PIN, LOWER HINGE
11	61003537	Series 10	COVER, LOWER HINGE (BLK)
12	61003647	Series 10	CLOSER, DOOR (NATURAL)
13	61005724	Series 13	CLOSER, DOOR (W/CUP)

Distribuidor Autorizado

SurteRápido.com

Venta de Refacciones
Electrodomesticas

Refrigerador Maytag MSD2756GES





Refrigerador Maytag MSD2756GES

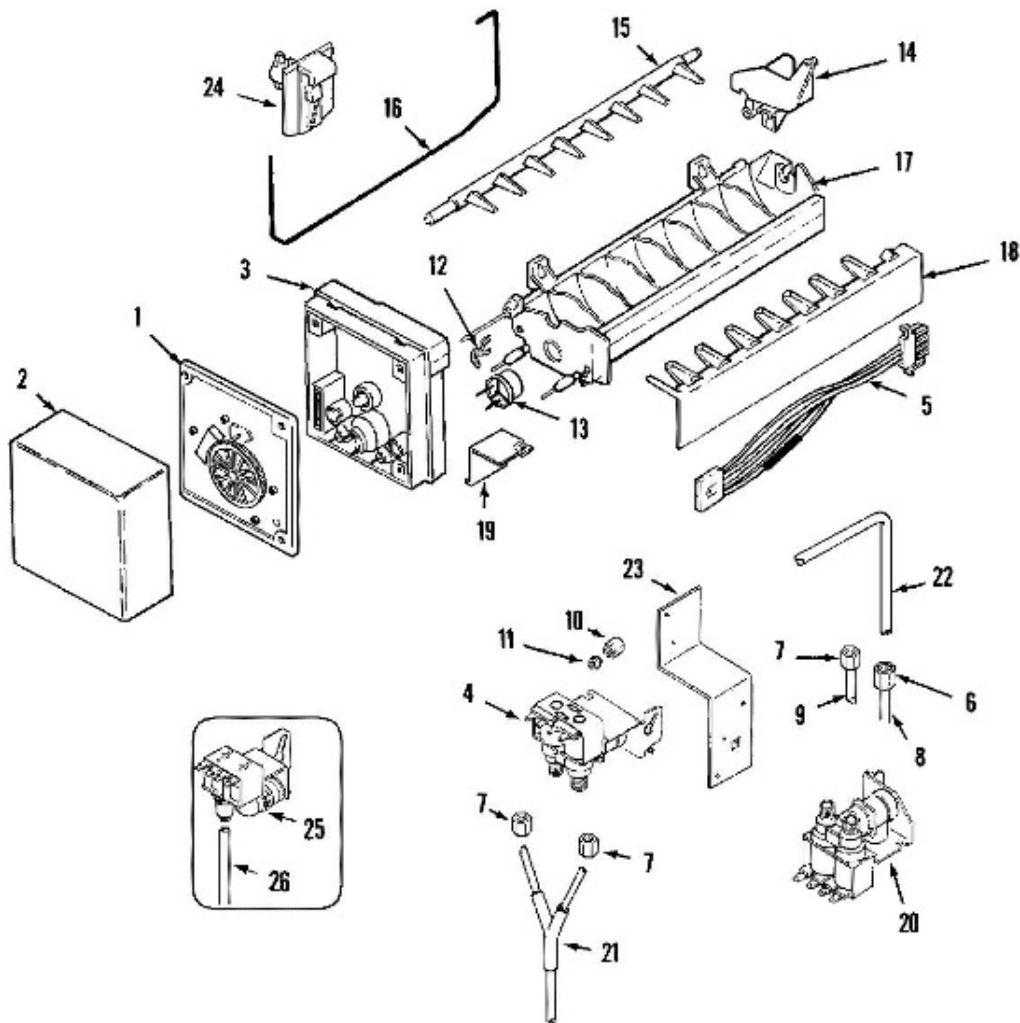
Guía	N.P.	Serie	Descripción
1	61004802	Series 10	BIN, ICE
2	61004803	Series 10	FRONT, ICE BIN
3	61004300	Series 10	DOOR, ICE ACCESS
4	415013-3	Series 10	SCREW
4	61004804	Series 10	HOUSING, CRUSHER
4	61004869	Series 10	SEAL
5	69704-1	Series 10	RING, SNAP
6	69703-1	Series 10	WASHER, RETAINER
7	61003336	Series 10	RING, DRIVE
8	12001773	Series 10	ASSY., AUGER MOTOR/YOKE
8	61003324	Series 10	SCREW
8	61005281	Series 10	WIRE HARNESS, AUGER MOTOR
9	63052-1	Series 10	YOKE, ICE DISPENSER
10	61003326	Series 10	AUGER
11	69699-1	Series 10	CONE, ICE DEFLECTOR
12	69698-1	Series 10	WASHER, CONE STOP
13	70036-1	Series 10	IMPELLER
14	69755-1	Series 10	PLATE, DRIVE
15	69709-1	Series 10	NUT, AUGER
16	69697-1	Series 10	BEARING, SPACER
17	69696-1	Series 10	SPACER, CRUSHER BLADE
18	69696-2	Series 10	SPACER, BLADE
19	69701-1	Series 10	PLATE, IMPELLER
20	61004818	Series 10	ENCLOSURE, ICE
21	400022-1	Series 10	SCREW
21	61005080	Series 10	SUPPORT, ENCLOSURE



Refrigerador Maytag MSD2756GES

Guía	N.P.	Serie	Descripción
22	400026-1	Series 10	SCREW
22	69715-1	Series 10	GUIDE, YOKE
23	69702-3	Series 10	BLADE, CRUSHER
24	69702-2	Series 10	BLADE, CRUSHER
25	69706-1	Series 10	BLADE, CRUSHER
26	69702-1	Series 10	BLADE, CRUSHER
27	69708-1	Series 10	LOCK, FIXED BLADE
28	69705-1	Series 10	PIN, BLADE LOCK
29	69718-1	Series 10	DOOR, ICE CRUSHER
30	61004807	Series 10	ROD, CRUSHER CONTROL
31	61004808	Series 10	SPRING, CONTROL ROD
32	61004809	Series 10	BRACKET, CONTROL ROD
33	61005253	Series 10	SOLENOID
34	61003539	Series 10	YOKE ASSY.

Refrigerador Maytag MSD2756GES





Refrigerador Maytag MSD2756GES

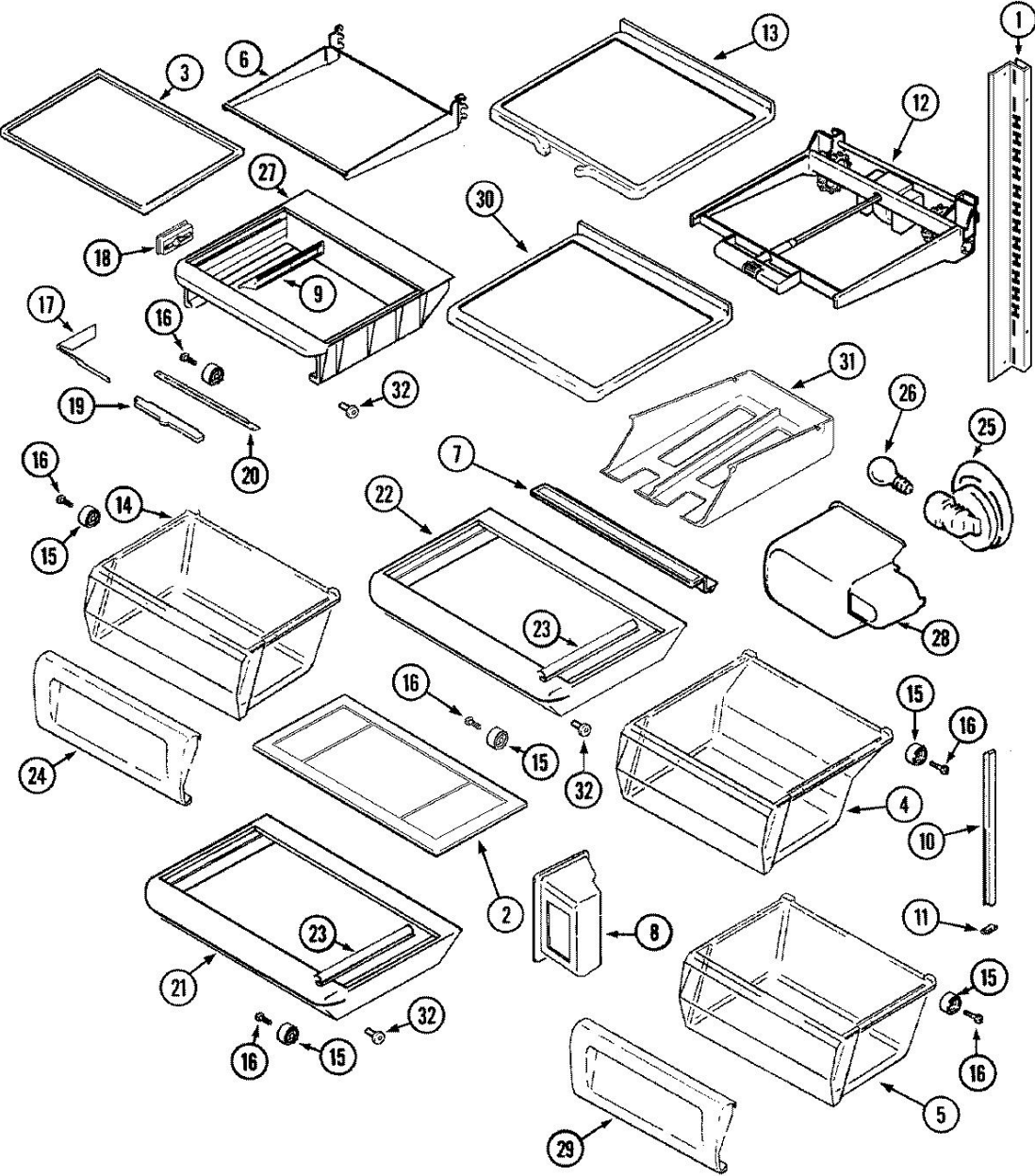
Guía	N.P.	Serie	Descripción
1	400017-1	Series 10	SCREW
1	D7824706Q	Series 10	MODULE, ICE MAKER
2	61005374	Series 10	COVER, ICE MAKER
3	WP2195914	Series 10	SUPPORT, MODULE HOUSING
3	WP681249	Series 10	SCREW
4	WP489399	Series 10	SCREW
4	12001892	Series 10	VALVE, WATER (FILTER)
5	61005278	Series 10	WIRE HARNESS, ICE MAKER
6	8201513	Series 10	NUT, COMPRESSION (5/16``)
7	WP627018	Series 10	NUT, COMPRESSION (1/4``)
8	Y00000000	Series 10	SEE NOTE MUST ORDER TANK ASSY.
9	WPB5705307	Series 10	TUBE, VALVE
10	WP245183	Series 10	NUT, BRASS (1/4``)
11	WP487627	Series 10	SLEEVE, BRASS
12	WP2315522	Series 10	RETAINER, THERMOSTAT
13	WP627985	Series 10	THERMOSTAT
13	95093-1	Series 10	CEMENT, ALUMILASTIC (4 OZ.)
14	WP628356	Series 10	INLET, WATER
15	WP627843	Series 10	EJECTOR, ICE
16	61004136	Series 10	ARM, SENSOR
17	D7824706Q	Series 10	MOLD & HEATER ASSY.
18	WP2182124	Series 10	STRIPPER, ICE
19	WP2256087	Series 10	BRACKET, MODULE & HEATER
19	WP489128	Series 10	SCREW, BRACKET
20	61005626	Series 10	VALVE, WATER (ICE MAKER)
20	61005626	Series 11	VALVE, WATER (ICE MAKER)
21	61001161	Series 10	CLAMP, WATER LINE



Refrigerador Maytag MSD2756GES

Guía	N.P.	Serie	Descripción
21	61004391	Series 10	GROMMET ASSY., WATER LINE
21	61005058	Series 10	CLIP, WATER LINE (ADHESIVE)
22	61004392	Series 10	GROMMET ASSY., WATER LINE
22	61005683	Series 11	GROMMET ASSY., WATER LINE
23	WP8281227	Series 10	SCREW
23	61003732	Series 10	BRACKET, WATER VALVE
24	WP61005028	Series 10	SUPPORT, ICE MAKER
25	WP61005627	Series 11	VALVE, WATER (FILTER)
26	61005682	Series 11	GROMMET ASSY., WATER LINE

Refrigerador Maytag MSD2756GES





Refrigerador Maytag MSD2756GES

Guía	N.P.	Serie	Descripción
1	61005165	Series 10	SCREW
1	61005471	Series 10	RAIL, SHELF SUPPORT
2	61004985	Series 10	COVER, CRISPER SHELF (LWR)
2	61005076	Series 10	COVER, CRISPER SHELF (UPR)
3	61003928	Series 10	GLASS, MEAT SHELF
4	61003929	Series 10	PAN, CRISPER
4	61005713	Series 11	PAN ASSY., CRISPER (UPR)
5	61004568	Series 10	PAN, CRISPER (LWR)
5	61005622	Series 11	PAN ASSY., CRISPER (LWR)
6	61003738	Series 10	FRAME, SLIDE OUT SHELF----NA
6	61004229	Series 10	FRAME, SHELF
7	61005045	Series 10	SEAL, CRISPER SHELF (REAR)
8	61004287	Series 10	COVER ASSY., AIR RETURN
9	415013-3	Series 10	SCREW
9	61003723	Series 10	COVER, MEAT CONTROL TAPE
10	61003888	Series 10	STRIP, FILLER (SIDES)
11	400019-1	Series 10	SCREW
11	61004109	Series 10	BASE, FILLER STRIP (RT)
11	61004110	Series 10	BASE, FILLER STRIP (LT)
12	61004480	Series 10	GLIDE, SHELF
12	61005439	Series 10	FRAME ASSY., ELEVATOR SHELF
13	61004389	Series 10	SHELF, ELEVATOR
14	61003934	Series 10	PAN, MEAT
14	61005715	Series 12	PAN ASSY., MEAT
15	61002307	Series 11	ROLLER
15	67423-2	Series 10	ROLLER



Refrigerador Maytag MSD2756GES

Guía	N.P.	Serie	Descripción
16	61004728	Series 11	SCREW
16	65275-6	Series 10	SCREW
17	61003943	Series 10	TAPE, MEAT CONTROL
18	61003725	Series 10	RETAINER, DUCT
18	61003785	Series 10	DUCT, AIR (MEAT)
18	61006055	Series 23	DUCT, AIR (MEAT)
19	61003674	Series 10	SLIDE, CONTROL (MEAT)
20	61003784	Series 10	COVER, MEAT PAN SLIDE
21	61003936	Series 10	FRAME, CRISPER SHELF
21	61006063	Series 22	FRAME, CRISPER SHELF (LWR)
22	61003937	Series 10	FRAME, CRISPER SHELF
22	61006062	Series 22	FRAME, CRISPER SHELF (UPR)
23	61003714	Series 10	SEAL, CRISPER SIDE (UPR)
23	61003938	Series 10	SEAL, CRISPER SIDE
24	61004494	Series 10	FRONT ASSY., MEAT PAN
25	61003379	Series 10	RECEPTACLE, BULB
26	61001787	Series 10	BULB, LIGHT
27	61003940	Series 10	FRAME, MEAT SHELF
27	61006090	Series 23	FRAME, MEAT SHELF
28	61003439	Series 10	SHIELD, LIGHT
29	61005077	Series 10	FRONT ASSY., CRISPER PAN
30	61003942	Series 10	SHELF, SLIDE-OUT
31	61002406	Series 10	RACK, CAN
32	400017-1	Series 10	SCREW