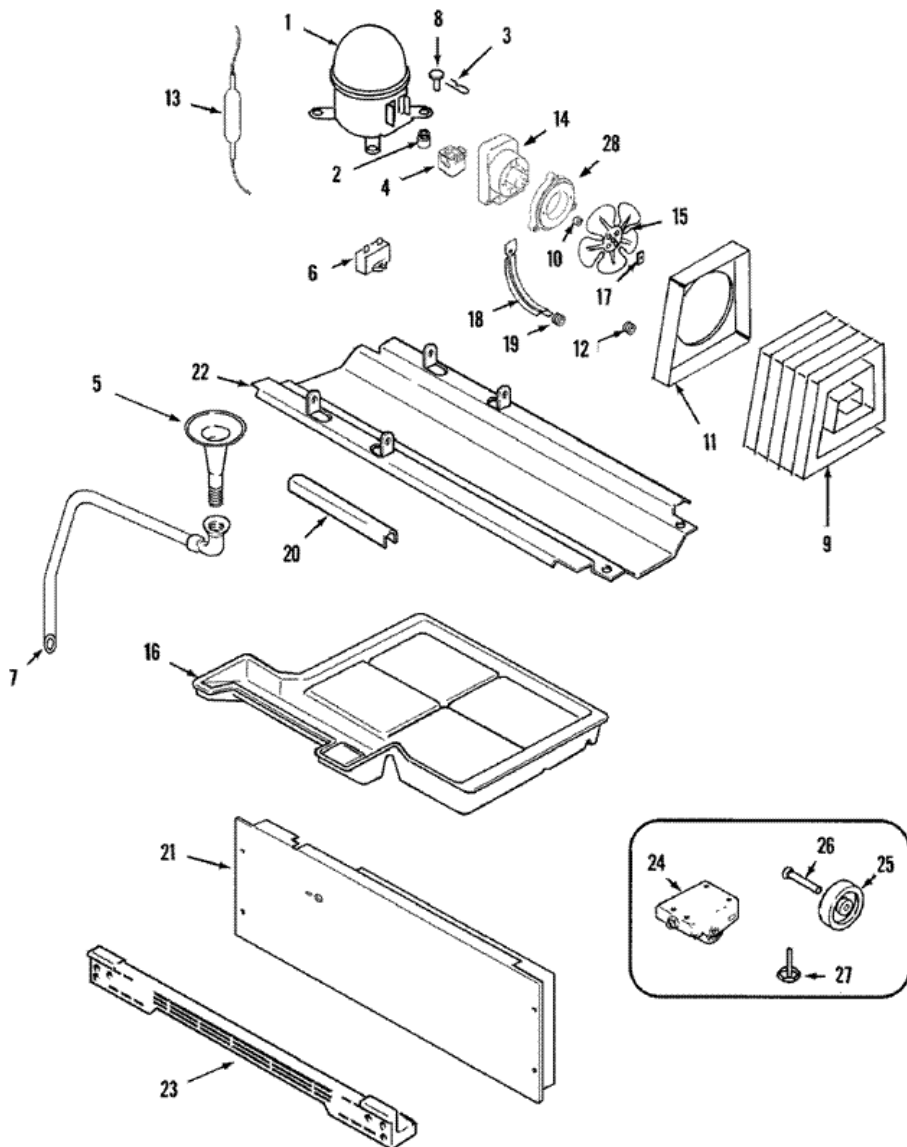


Distribuidor Autorizado

SurteRápido.com

Venta de Refacciones
Electrodomesticas

MSD2756GEW COMPRESSOR





MSD2756GEW COMPRESSOR

1	12001834	10	KIT, COMPRESSOR (R134A)
1	61005322	10	WIRE HARNESS, COMPRESSOR
1	12002053	21	KIT, COMPRESSOR (R134A)
1	12001834	24	KIT, COMPRESSOR (R134A)
1	12002053	27	KIT, COMPRESSOR (R134A)
1	12002164	28	KIT, COMPRESSOR (R134A)
2	61005241	10	GROMMET, COMPRESSOR
2	10835901	28	GROMMET, COMPRESSOR
3	61003099	10	CLIP, COMPRESSOR
4	61005271	10	RELAY/OVERLOAD ASSY.
4	61005620	10	CLIP, RELAY/OVERLOAD ASSY.-NA
4	61006186	28	RELAY/OVERLOAD ASSY.
4	61006187	28	CLIP, RELAY/OVERLOAD ASSY.
5	61004751	10	TUBE, DRAIN
6	400017-1	10	SCREW
6	65889-4	10	CAPACITOR, RUN
7	53516-9	10	CLAMP
7	61003133	10	HOSE, DRAIN
8	52656-2	10	PLUG, COMPRESSOR
9	61005452	10	CONDENSER
10	61001686	10	WASHER, FAN BLADE
11	61001941	10	SHROUD, CONDENSER
12	61002033	10	GROMMET, CONDENSER TUBING
13	13900-1	10	DRIER
14	61005323	10	MOTOR, CONDENSER FAN
14	61005324	10	SCREW
15	60683-1	10	BLADE, CONDENSER FAN
16	400017-1	10	SCREW
16	61002649	10	PAN, DRAIN
17	19914	10	CLIP, FAN BLADE
18	69181-1	10	BRACKET, FAN MOTOR
19	61004743	10	GROMMET, BRACKET
20	61004584	10	ISOLATOR, CONDENSER

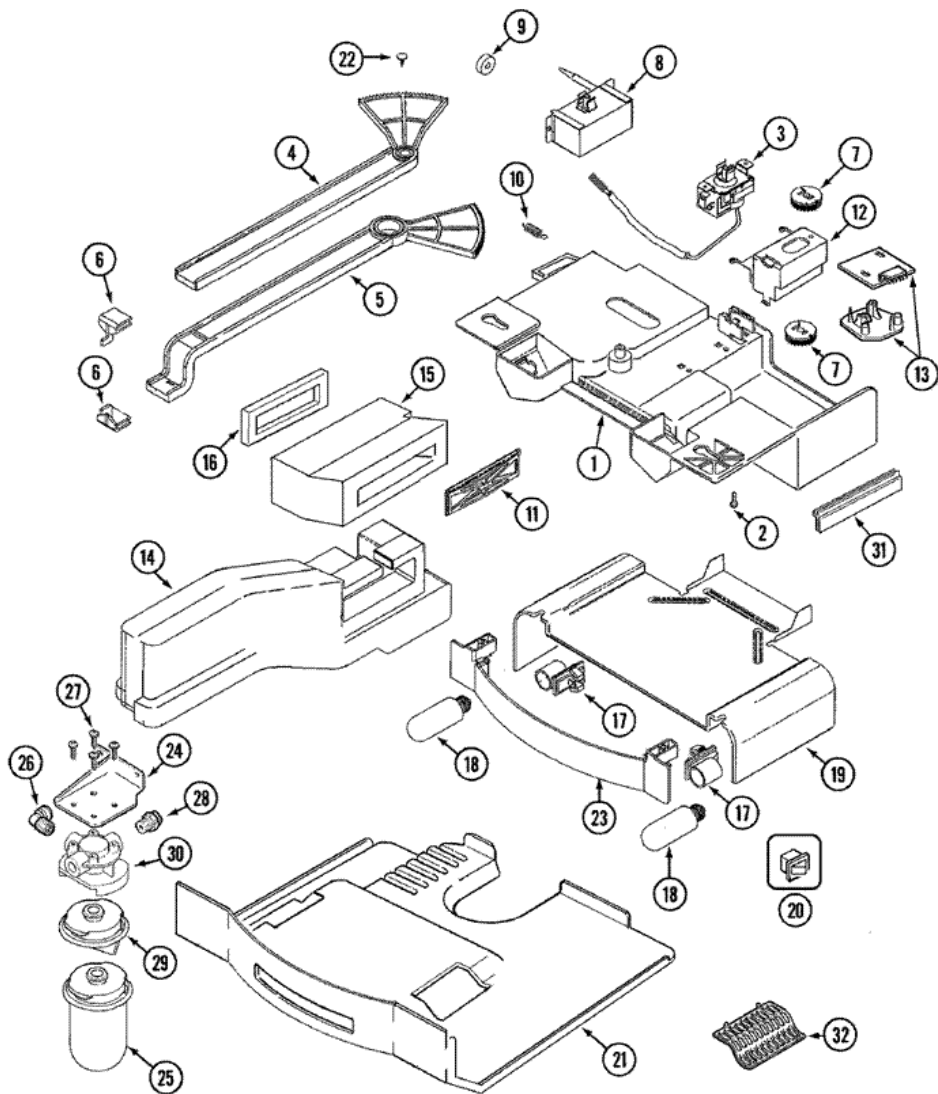
21	61004674	10	COVER, COMPRESSOR COMPARTMENT
21	65275-50	10	SCREW
22	61002407	10	SCREW
22	61005269	10	PAN, COMPRESSOR MTG.
23	400016-1	10	SCREW
23	61004053	10	KICKPLATE (WHT)
24	400017-1	10	SCREW
24	61005232	10	WHEEL ASSY. (FRT)
25	61003826	10	WHEEL (REAR)
26	61002104	10	PIN, WHEEL
27	61002014	10	LEG, LEVELING
28	61005325	10	ADAPTER, FAN MOTOR
28	61005326	10	SCREW
29	12001548	10	YODER LOOP HTR(115V)27,29,23CD
30	61005298	10	MANUAL, USE & CARE (TRILNGUL)
31	16009103	10	MANUAL, SERVICE SXS APD

Distribuidor Autorizado

SurteRápido.com

Venta de Refacciones
Electrodomesticas

MSD2756GEW CONTROLS





MSD2756GEW CONTROLS

1	61003228	10	FOIL, HEAT SHIELD
1	61004424	10	SCREW
1	61005043	10	HOUSING ASSY., AUTO DAMPER
1	61005971	18	HOUSING ASSY., AUTO DAMPER
2	61004314	10	SCREW (NO.8 AB)
3	400016-1	10	SCREW
3	61005438	10	CONTROL ASSY., TEMPERATURE
3	61005651	12	CONTROL ASSY., TEMPERATURE
4	61003287	10	ROD, DAMPER CONTROL
5	61003293	10	ROD, TEMP. CONTROL
6	61004591	10	END CAP, CONTROL ROD
7	61003305	10	GEAR, CONTROL SLIDE
8	61003359	10	SCREW
8	61005044	10	DAMPER, AUTO
9	61003358	10	WASHER, DAMPER ROD
10	61003141	10	SPRING, DAMPER DOOR
11	61003235	10	DOOR, DAMPER
12	61003315	10	SUPPORT, TEMP. CONTROL
13	405007-1	10	SCREW
13	61003990	10	DEFROST ASSY., ADAPTIVE
13	61005951	18	SCREW
13	61005988	18	DEFROST ASSY., ADAPTIVE
13	12002104	25	DEFROST KIT, ENHANCED ADAPTIVE
14	61003229	10	INSULATION, DISCHARGE (LT)
14	61003230	10	INSULATION, DISCHARGE (RT)
14	61005972	18	INSULATION, DISCHARGE (RT)
15	61005075	10	SEAL, TUNNEL (DOUBLE-SIDED)
15	61005328	10	TUNNEL, CONTROL HOUSING
15	61006038	18	TUNNEL, CONTROL HOUSING
16	61003819	10	SEAL, TUNNEL
17	61003237	10	RECEPTACLE, BULB
17	61005973	18	RECEPTACLE, BULB
18	61003236	10	BULB, LIGHT

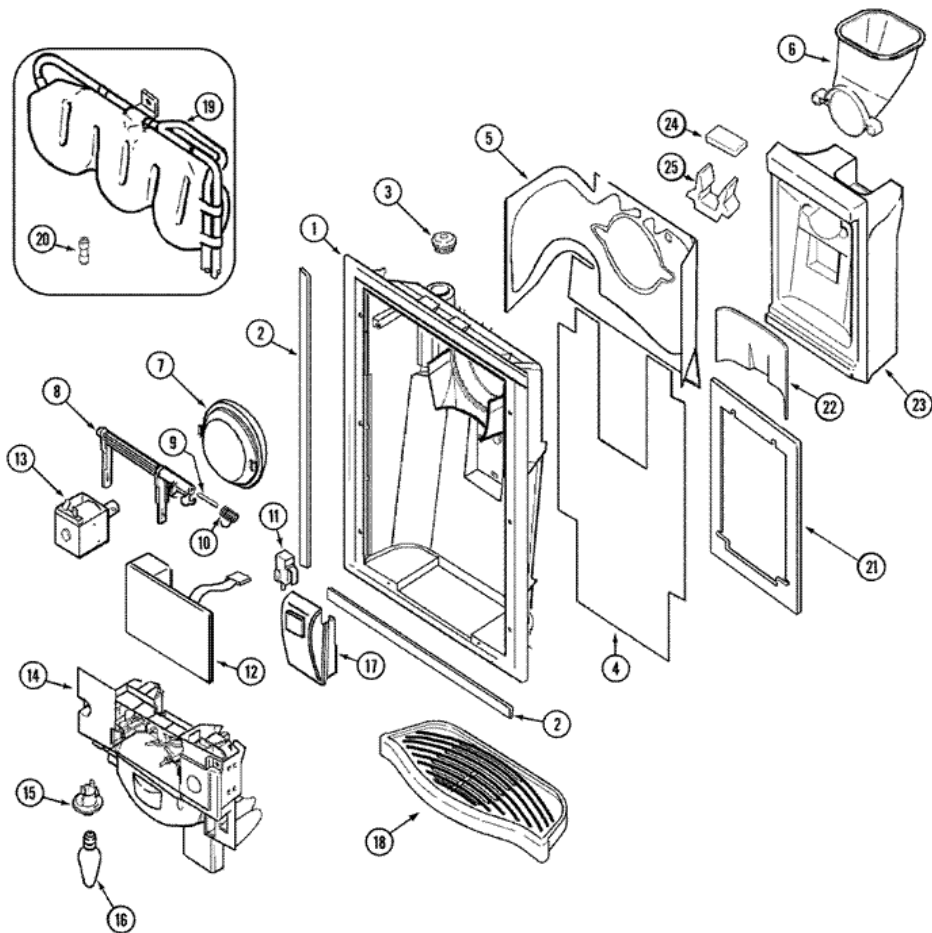
18	61003354	10	BARRIER, FOIL (LT)
18	61003355	10	BARRIER, FOIL (RT)
18	61005974	18	FOIL (RT)
18	61005975	18	FOIL (LT)
19	61003238	10	SHIELD, HEAT
19	61005976	18	SHIELD, HEAT
20	61003661	10	SWITCH, LIGHT
20	61006166	26	SWITCH, LIGHT
21	61003924	10	SHIELD, LIGHT
22	61003316	10	RETAINER, CONTROL ROD
23	61004380	10	PANEL, CONTROL
24	61003698	10	BRACKET, WATER FILTER
25	UKF7002AXX	10	FILTER, WATER
26	61003705	10	FITTING ASSY., WATER FILTER
27	61003796	10	SCREW
28	61003790	10	FITTING, WATER FILTER
29	61003791	10	PLUG, FILTER BYPASS
30	61003789	10	HEAD, WATER FILTER
31	61003891	10	TRIM, CONTROL HOUSING
32	61004590	10	GRILL, LIGHT
33	61005329	10	WIRE HARNESS, CONTROLS
33	61006124	18	WIRE HARNESS, CONTROLS
34	61004262	10	WIRE HARNESS, FRZ./F.F.

Distribuidor Autorizado

SurteRápido.com

Venta de Refacciones
Electrodomesticas

MSD2756GEW FOUNTAIN

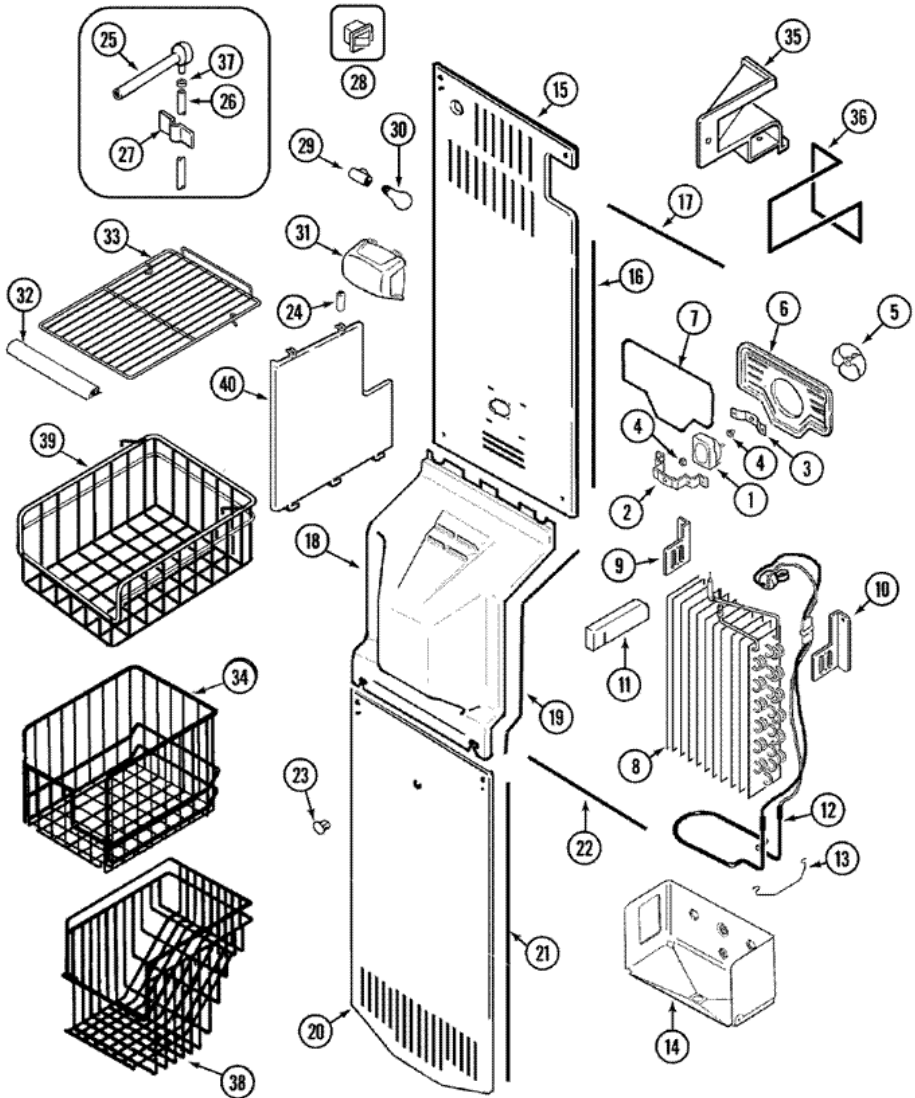




MSD2756GEW FOUNTAIN

1	415013-35	10	SCREW
1	61003307	10	SCREW
1	61004675	10	HOUSING, FOUNTAIN (WHT)
2	61003286	10	TAPE (1FT.)
3	61003300	10	GROMMET, WATER TUBE
4	61003304	10	FOIL, FTN. BACK
5	61005001	10	HEATER, FOUNTAIN
6	415013-35	10	SCREW
6	61004677	10	CHUTE, ICE
7	12001991	10	KIT, FOUNTAIN ICE DOOR (8 Y 13) (115V)
9	61003303	10	PIN, ROLL
10	61004388	10	SPRING, FTN. RETURN
11	415041-35	10	SCREW
11	61003124	10	SWITCH, LIMIT
12	61005274	10	BOARD, CONTROL
12	61005372	10	BARRIER
13	61003297	10	SCREW
14	415013-35	10	SCREW
14	61003407	10	BRACKET, FOUNTAIN (WHT)
15	70119-1	10	RECEPTACLE, BULB
16	63179-1	10	BULB, LIGHT
17	61004441	10	PAD, ACTUATOR (LT. GRY)
18	61005458	10	GRILL (WHT)
19	400022-1	10	SCREW
19	61003689	10	TANK ASSY., WATER
20	61001614	10	UNION, REDUCING (5/16``-5/16``)
21	61003339	10	INSULATION
22	61003340	10	INSULATION
23	61004724	10	INSULATION, FTN. (STYROFOAM)
24	61003343	10	INSULATION
25	61003308	10	INSULATION
26	61005275	10	WIRE HARNESS, FTN.

**MSD2756GEW FREEZER
COMPARTMENT**



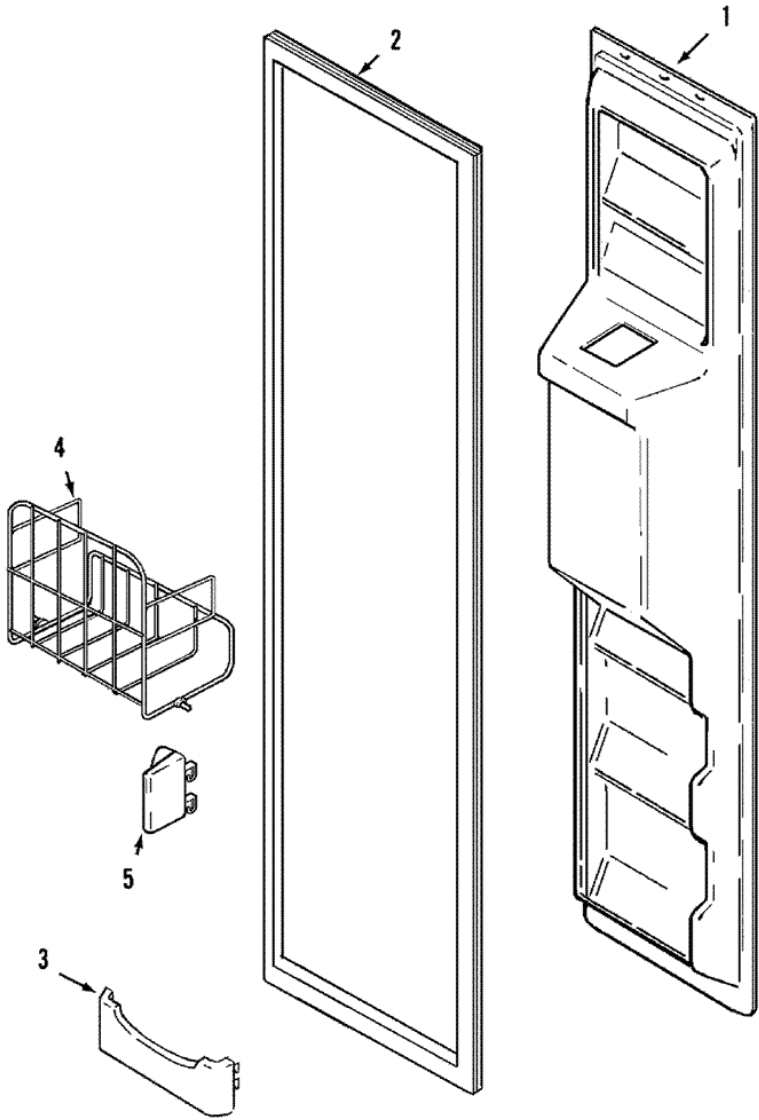


MSD2756GEW FREEZER COMPARTMENT

1	61005339	10	MOTOR, EVAPORATOR FAN
2	61001930	10	BRACKET, EVAPORATOR FAN
2	61005240	10	SCREW
3	61005240	10	SCREW
3	61005340	10	RETAINER, EVAPORATOR FAN
4	61005341	10	BUSHING, EVAPORATOR FAN
5	61004522	10	BLADE, EVAPORATOR FAN
6	61003898	10	SHROUD, FAN
7	61003828	10	SEAL, FAN SHROUD
8	12001641	10	EVAP/HEAT EXCH,ASSY27,29,CDSXS
9	61003215	10	BRACKET, EVAPORATOR (LT)
10	61003216	10	BRACKET, EVAPORATOR (RT)
11	61003213	10	BLOCK, AIR
12	61004310	10	HEATER & THERM. ASSY., DEFROST
13	61004152	10	CLIP, DEFROST HEATER
14	61003830	10	HOUSING, EVAPORATOR
15	61004028	10	COVER, COIL (UPR)
15	61004424	10	SCREW
15	61005730	12	COVER, COIL (UPR)
15	61005730	16	COVER, COIL (UPR)
16	61003832	10	SEAL, UPPER COVER (LT)
16	61003833	10	SEAL, UPPER COVER (RT)
17	61003834	10	SEAL, UPPER COVER (TOP)
18	61003835	10	COVER, EVAPORATOR FAN
19	61003209	10	SEAL
20	61003836	10	COVER, COIL (LWR)
20	61004424	10	SCREW
21	61003212	10	SEAL
22	61003837	10	SEAL, LOWER COVER
23	61001952	10	PLUG BUTTON, EVAP. COVER
24	12001952	10	KIT, ICE MAKER AIR TUNNEL
24	61005812	16	TUNNEL, AIR
25	61005233	10	GROMMET, FILL TUBE

25	61005743	15	GROMMET, FILL TUBE
26	67579-1	10	TUBE, VALVE
27	61004913	10	CLIP, WATER LINE (ADHESIVE)
28	61005052	10	SWITCH, LIGHT
28	61006167	26	SWITCH, LIGHT
29	68974-3	10	RECEPTACLE, BULB
29	61005748	14	RECEPTACLE, BULB
30	31956-1	10	BULB, LIGHT
31	61002272	10	SHIELD, LIGHT
32	61003950	10	TRIM, SHELF (FRT)
33	61003951	10	SHELF, FRZ.
34	61003993	10	BASKET, PIZZA
35	61003205	10	DIVERTER, AIR
36	61003206	10	SEAL, AIR DIVERTER
37	61001161	10	CLAMP, WATER LINE
38	61003841	10	BASKET, FRZ.
39	61003954	10	BASKET, FRZ. (HALF)
40	61003900	10	DIVIDER, DISPENSER ENCLOSURE
41	68823-1	10	SPACER, DIVIDER
42	61003731	10	WIRE HARNESS, FRZ.
42	61005351	10	WIRE HARNESS, FAN & HEATER

MSD2756GEW FREEZER INNER DOOR

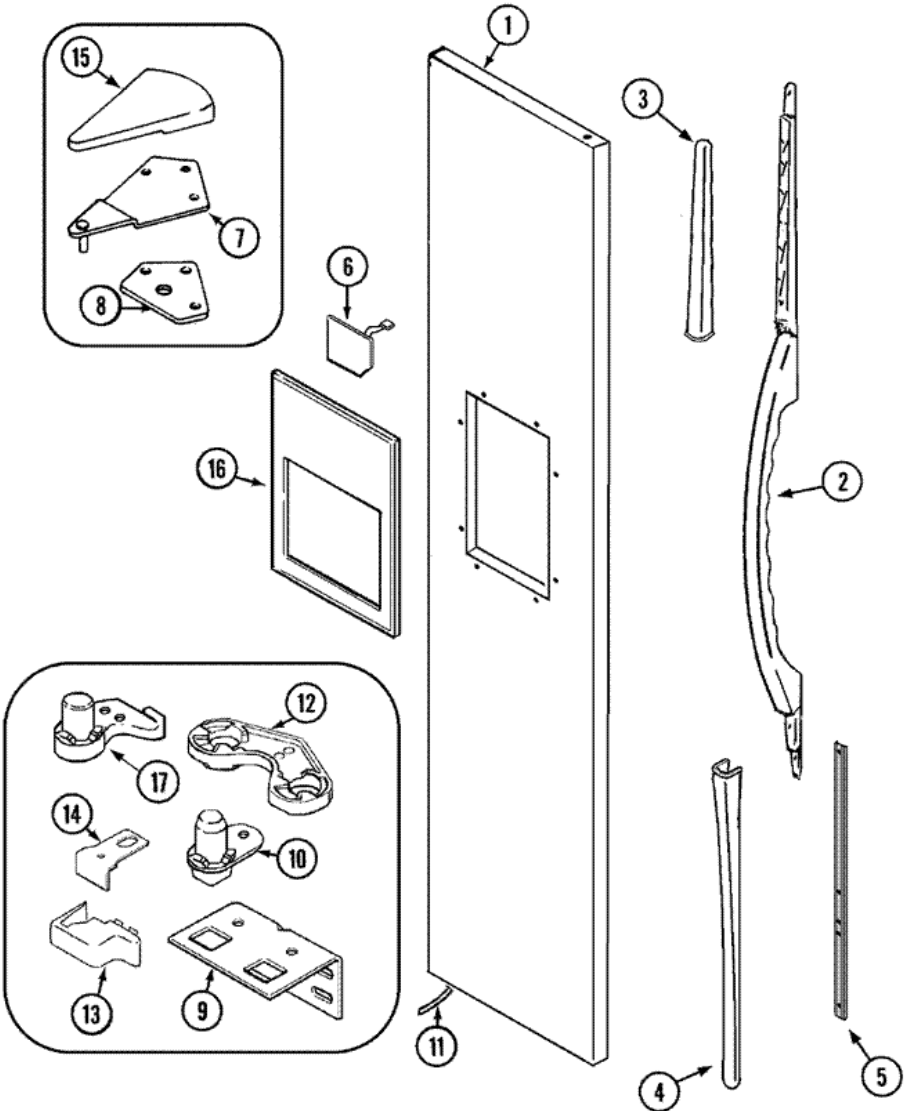




MSD2756GEW FREEZER INNER DOOR

1	61003854	10	LINER, FRZ. DOOR
1	61003917	10	INSERT, LINER SUPPORT(TOP/BTM)
1	61004741	10	INSERT, LINER SUPPORT (SIDE)
1	61005388	10	SCREW
2	61003855	10	SEAL, FRZ. DOOR (WHT)
3	61004352	10	FRONT, PICK-OFF
4	61003988	10	BASKET, TILTDOWN
5	61003753	10	STOP, BASKET (LT)
5	61003754	10	STOP, BASKET (RT)

MSD2756GEW FREEZER OUTER DOOR

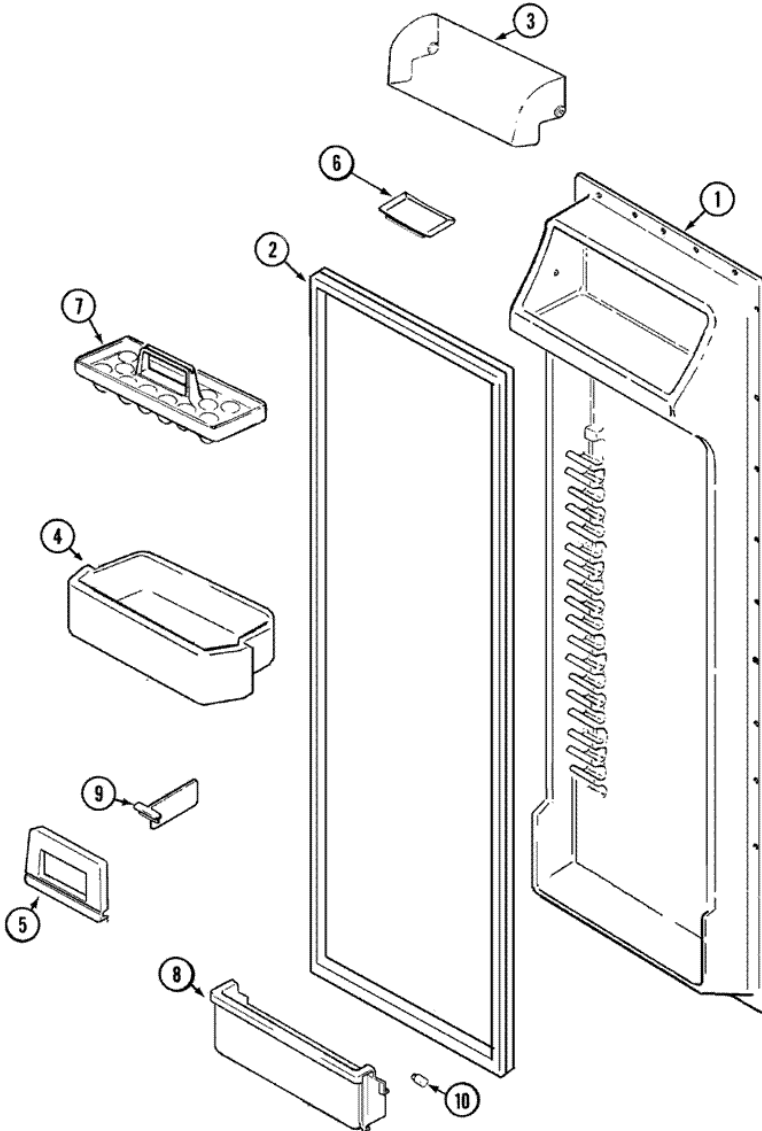




MSD2756GEW FREEZER OUTER DOOR

1	61005296	10	PANEL, FRZ. DOOR (WHT)
1	61005771	13	PANEL, FRZ. DOOR (WHT)
2	61005394	10	SCREW
2	61005442	10	HANDLE, DOOR (WHT)
2	61005482	10	SCREW
3	61005445	10	EXTENSION, HANDLE (UPR-WHT)
4	61005448	10	EXTENSION, HANDLE (LWR-WHT)
5	61005394	10	SCREW
5	61005451	10	CLEAT, HANDLE EXTENSION
6	61003422	10	SCREW
6	61005277	10	BOARD, FTN. SWITCH
7	61004763	10	SCREW
7	61004896	10	HINGE, UPPER
8	61001922	10	SHIM, UPPER HINGE
9	61001918	10	HINGE, LOWER (WHT)
9	61003128	10	SCREW
10	61003174	10	PIN, LOWER HINGE
11	61001614	10	UNION, REDUCING (5/16``-5/16``)
11	61004569	10	TUBING, FOUNTAIN
12	61002180	10	SCREW
12	61003647	10	CLOSER, DOOR (NATURAL)
13	61003219	10	COVER, LOWER HINGE (WHT)
14	61002180	10	SCREW
14	61003273	10	STOP, DOOR
15	61004641	10	SCREW, COVER
15	61004642	10	COVER, UPPER HINGE (WHT)
16	415013-35	10	SCREW
16	61005455	10	ESCUTCHEON (WHT)
17	61002180	13	SCREW
17	61005726	13	CLOSER, DOOR (W/CUP)

**MSD2756GEW FRESH FOOD INNER
DOOR**

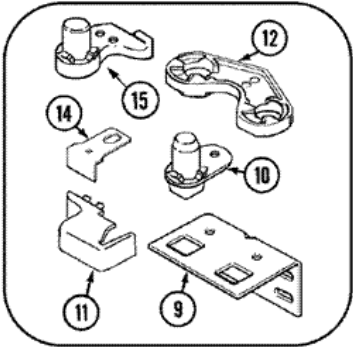
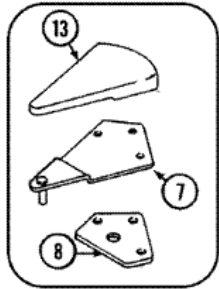
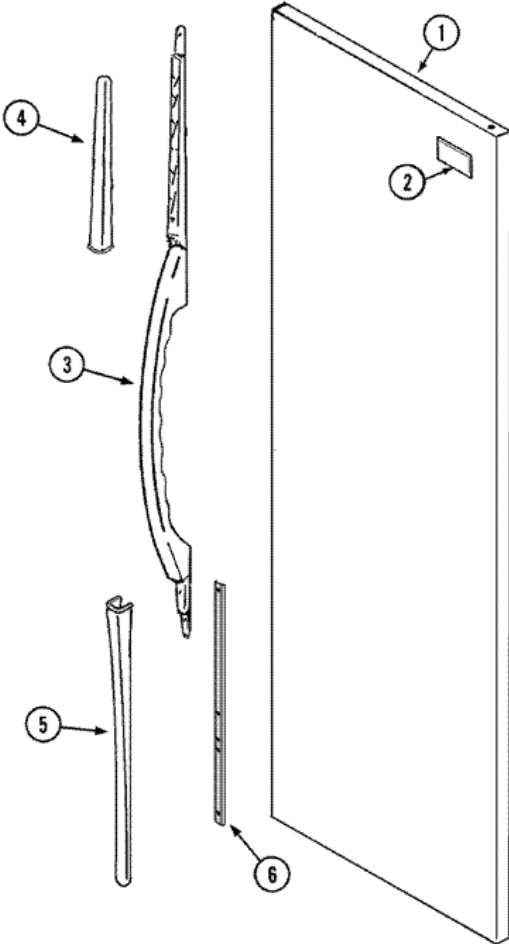




MSD2756GEW FRESH FOOD INNER DOOR

1	61003979	10	INSERT, LINER SUPPORT (SIDES)
1	61003980	10	INSERT, LINER SUPPORT(TOP/BTM)
1	61005388	10	SCREW
1	61005414	10	LINER, F.F. DOOR
1	12002002	20	KIT, F.F. DOOR LINER
2	61003847	10	SEAL, F.F. DOOR (WHT)
3	61003995	10	DOOR, DAIRY
4	61005209	10	SHELF, PICK-OFF
5	61002273	10	RETAINER, BOTTLE
6	29936-2	10	TRAY, BUTTER
7	60066-1	10	TRAY, EGG
8	61004427	10	BUCKET, TIP-OUT
9	61002274	10	ORGANIZER, SHELF
10	61002719	10	STOP, BUCKET
10	61005929	20	STOP, BUCKET

**MSD2756GEW FRESH FOOD OUTER
 DDOR**





MSD2756GEW FRESH FOOD OUTER DOOR

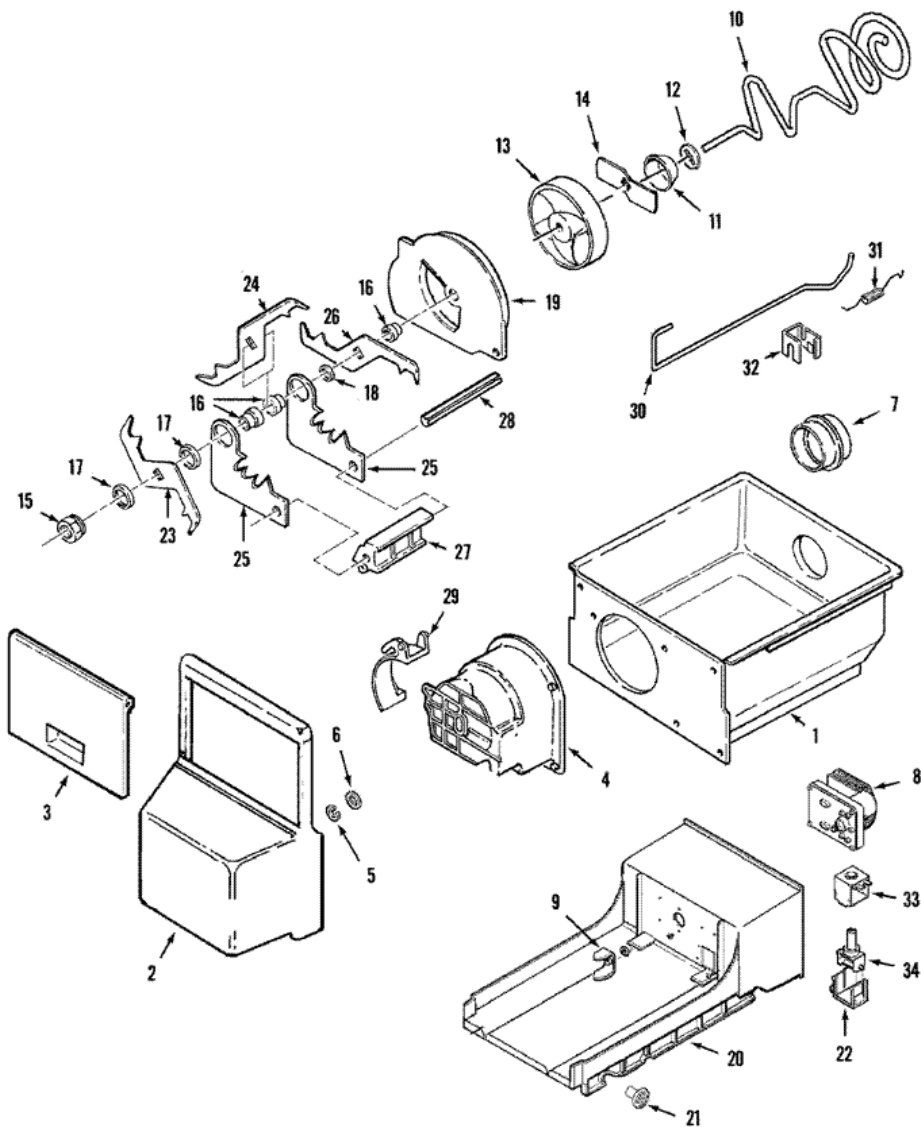
1	61004496	10	PANEL, F.F. DOOR (WHT)
1	61005681	10	LABEL, DUAL ENERGY GUIDE
1	61005799	13	PANEL, F.F. DOOR (WHT)
2	61003616	10	NAMEPLATE (WHT)
3	61005394	10	SCREW
3	61005442	10	HANDLE, DOOR (WHT)
3	61005482	10	SCREW
4	61005445	10	EXTENSION, HANDLE (UPR-WHT)
5	61005448	10	EXTENSION, HANDLE (LWR-WHT)
6	61005394	10	SCREW
6	61005451	10	CLEAT, HANDLE EXTENSION
7	61004763	10	SCREW
7	61004896	10	HINGE, UPPER
8	61001922	10	SHIM, UPPER HINGE
9	61001918	10	HINGE, LOWER (WHT)
9	61003128	10	SCREW
10	61003174	10	PIN, LOWER HINGE
11	61003220	10	COVER, LOWER HINGE (WHT)
12	61002180	10	SCREW
12	61003647	10	CLOSER, DOOR (NATURAL)
13	61004640	10	COVER, UPPER HINGE (WHT)
14	61002180	10	SCREW
14	61003273	10	STOP, DOOR
15	61002180	13	SCREW
15	61005724	13	CLOSER, DOOR (W/CUP)

Distribuidor Autorizado

SurteRápido.com

Venta de Refacciones
Electrodomesticas

MSD2756GEW ICE BIN



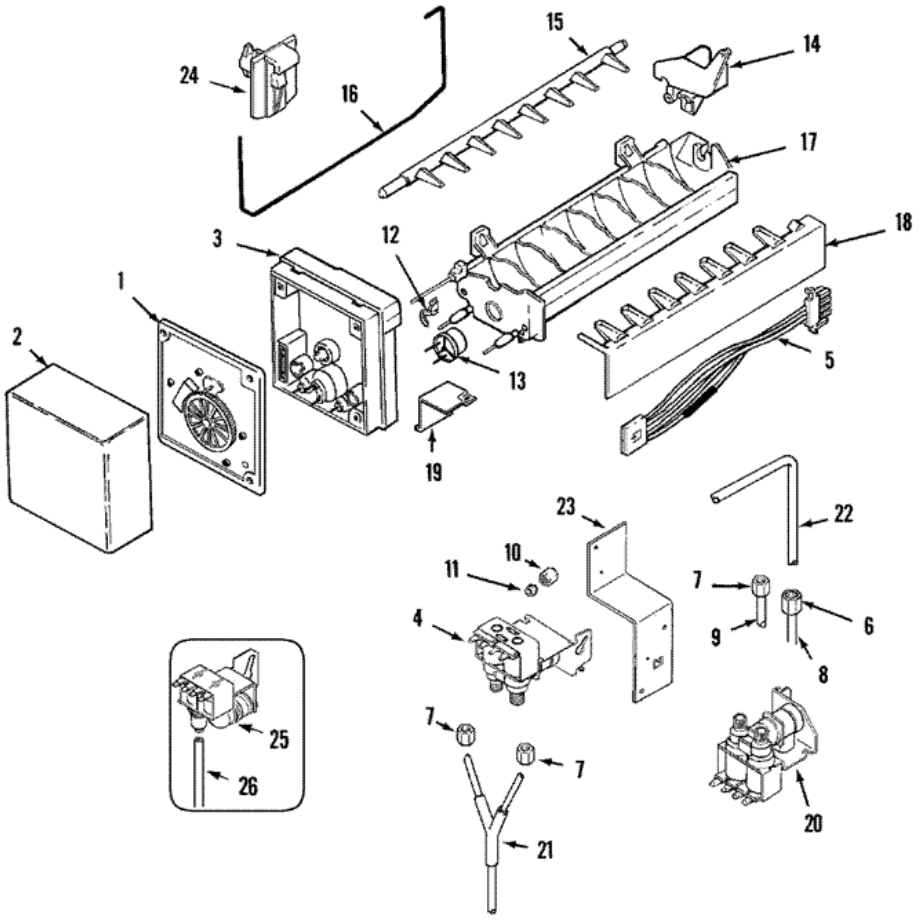


MSD2756GEW ICE BIN

1	61004802	10	BIN, ICE
2	415013-35	10	SCREW
2	61004803	10	FRONT, ICE BIN
3	61004300	10	DOOR, ICE ACCESS
4	415013-35	10	SCREW
4	61004804	10	HOUSING, CRUSHER
4	61004869	10	SEAL
5	69704-1	10	RING, SNAP
6	69703-1	10	WASHER, RETAINER
7	61003336	10	RING, DRIVE
8	12001773	10	ASSY., AUGER MOTOR/YOKE
8	61003324	10	SCREW
8	61005281	10	WIRE HARNESS, AUGER MOTOR
9	63052-1	10	YOKE, ICE DISPENSER
10	61003326	10	AUGER
11	69699-1	10	CONE, ICE DEFLECTOR
12	69698-1	10	WASHER, CONE STOP
13	70036-1	10	IMPELLER
14	69755-1	10	PLATE, DRIVE
15	69709-1	10	NUT, AUGER
16	69697-1	10	BEARING, SPACER
17	69696-1	10	SPACER, CRUSHER BLADE
18	69696-2	10	SPACER, BLADE
19	69701-1	10	PLATE, IMPELLER
20	400022-1	10	SCREW
20	61004818	10	ENCLOSURE, ICE
21	400022-1	10	SCREW
21	61005080	10	SUPPORT, ENCLOSURE
22	400026-12	10	SCREW
22	69715-1	10	GUIDE, YOKE
23	69702-3	10	BLADE, CRUSHER
24	69702-2	10	BLADE, CRUSHER
25	69706-1	10	BLADE, CRUSHER

26	69702-1	10	BLADE, CRUSHER
27	69708-1	10	LOCK, FIXED BLADE
28	69705-1	10	PIN, BLADE LOCK
29	69718-1	10	DOOR, ICE CRUSHER
30	61004807	10	ROD, CRUSHER CONTROL
31	61004808	10	SPRING, CONTROL ROD
32	61004809	10	BRACKET, CONTROL ROD
33	61003324	10	SCREW
33	61005253	10	SOLENOID
34	61003539	10	YOKE ASSY

MSD2756GEW ICE MAKER



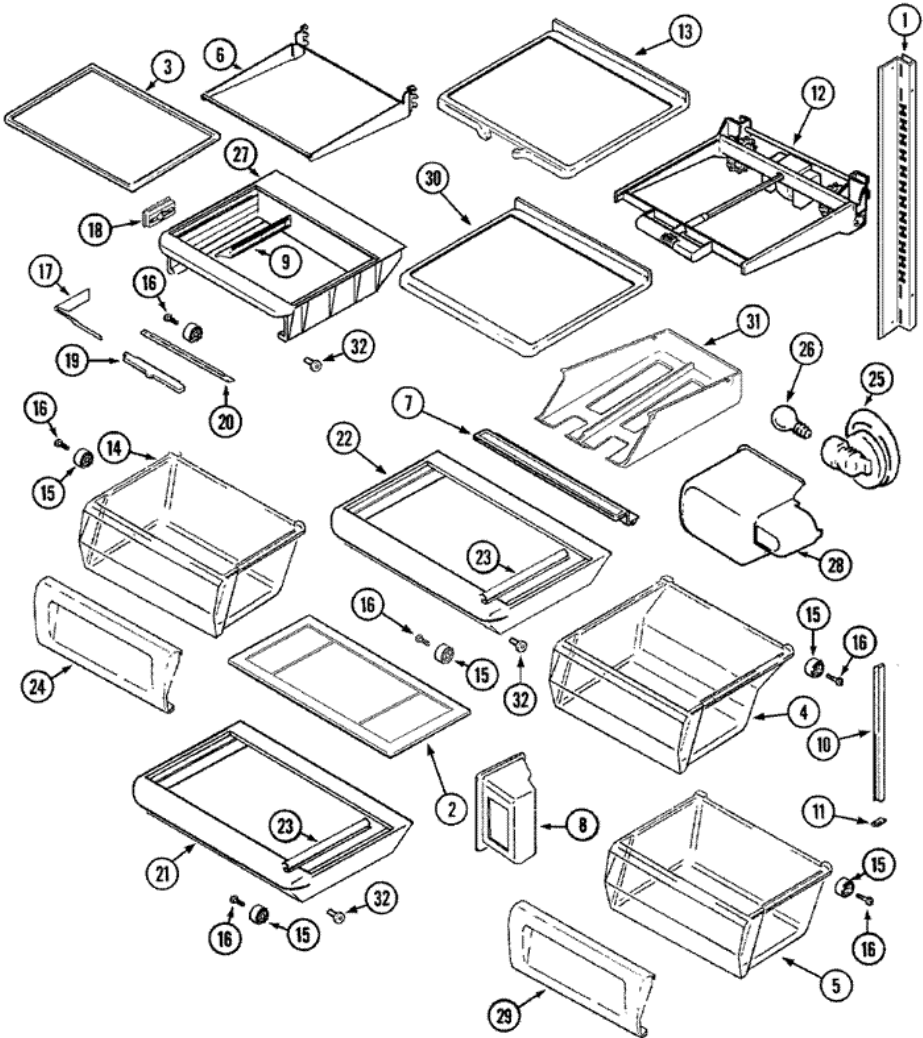


MSD2756GEW ICE MAKER

1	400017-1	10	SCREW
1	95109-1	10	MODULE, ICE MAKER
2	61005374	10	COVER, ICE MAKER
3	95103-1	10	SUPPORT, MODULE HOUSING
3	95106-1	10	SCREW
4	61001885	10	SCREW
4	61003783	10	VALVE, WATER (FILTER)
5	61005278	10	WIRE HARNESS, ICE MAKER
6	69583-2	10	NUT, COMPRESSION (5/16``)
7	69583-1	10	NUT, COMPRESSION (1/4``)
8	Y00000000	10	PART NO. 61003689
9	67579-1	10	TUBE, VALVE
10	69432-1	10	NUT, BRASS (1/4``)
11	69431-1	10	SLEEVE, BRASS
12	95104-1	10	RETAINER, THERMOSTAT
13	95092-1	10	THERMOSTAT
13	95093-1	10	CEMENT, ALUMILASTIC (4 OZ.)
14	95100-1	10	INLET, WATER
15	95101-1	10	EJECTOR, ICE
16	61004136	10	ARM, SENSOR
17	95098-1	10	MOLD & HEATER ASSY.
18	95102-1	10	STRIPPER, ICE
19	95107-1	10	BRACKET, MODULE & HEATER
19	95108-1	10	SCREW, BRACKET
20	61001885	10	SCREW
20	61004823	10	VALVE, WATER (ICE MAKER)
20	61005626	11	VALVE, WATER (ICE MAKER)
21	61001161	10	CLAMP, WATER LINE
21	61004391	10	GROMMET ASSY., WATER LINE
21	61005058	10	CLIP, WATER LINE (ADHESIVE)
22	61004392	10	GROMMET ASSY., WATER LINE
22	61005683	11	GROMMET ASSY., WATER LINE
23	61002819	10	SCREW

23	61003732	10	BRACKET, WATER VALVE
24	61005028	10	SUPPORT, ICE MAKER
25	61005627	11	VALVE, WATER (FILTER)
26	61005682	11	GROMMET ASSY., WATER LINE

MSD2756GEW SHELVES & ACCESSORIES





MSD2756GEW SHELVES & ACCESSORIES

13	61004389	10	SHELF, ELEVATOR
14	61003934	10	PAN, MEAT
14	61005715	12	PAN ASSY., MEAT
15	67423-2	10	ROLLER
15	61002307	11	ROLLER
15	61002307	12	ROLLER
15	61002307	22	ROLLER
15	61002307	23	ROLLER
16	65275-6	10	SCREW
16	61004728	11	SCREW
16	61004728	12	SCREW
16	61004728	22	SCREW
16	61004728	23	SCREW
17	61003943	10	TAPE, MEAT CONTROL
18	61003725	10	RETAINER, DUCT
18	61003785	10	DUCT, AIR (MEAT)
18	61006055	23	DUCT, AIR (MEAT)
19	61003674	10	SLIDE, CONTROL (MEAT)
20	415013-35	10	SCREW
20	61003784	10	COVER, MEAT PAN SLIDE
21	61003936	10	FRAME, CRISPER SHELF
21	61006063	22	FRAME, CRISPER SHELF (LWR)
22	61003937	10	FRAME, CRISPER SHELF
22	61006062	22	FRAME, CRISPER SHELF (UPR)
23	61003714	10	SEAL, CRISPER SIDE (UPR)
23	61003938	10	SEAL, CRISPER SIDE
24	61004494	10	FRONT ASSY., MEAT PAN
25	61003379	10	RECEPTACLE, BULB
26	61001787	10	BULB, LIGHT
27	61003940	10	FRAME, MEAT SHELF
27	61006090	23	FRAME, MEAT SHELF
28	61003439	10	SHIELD, LIGHT
29	61005077	10	FRONT ASSY., CRISPER PAN

30	61003942	10	SHELF, SLIDE-OUT
31	61002406	10	RACK, CAN
32	400017-1	10	SCREW
32	61005337	10	SUPPORT, CRISPER SHELF
32	61005338	10	SCREW
32	67764-1	10	SUPPORT, CRISPER SHELF