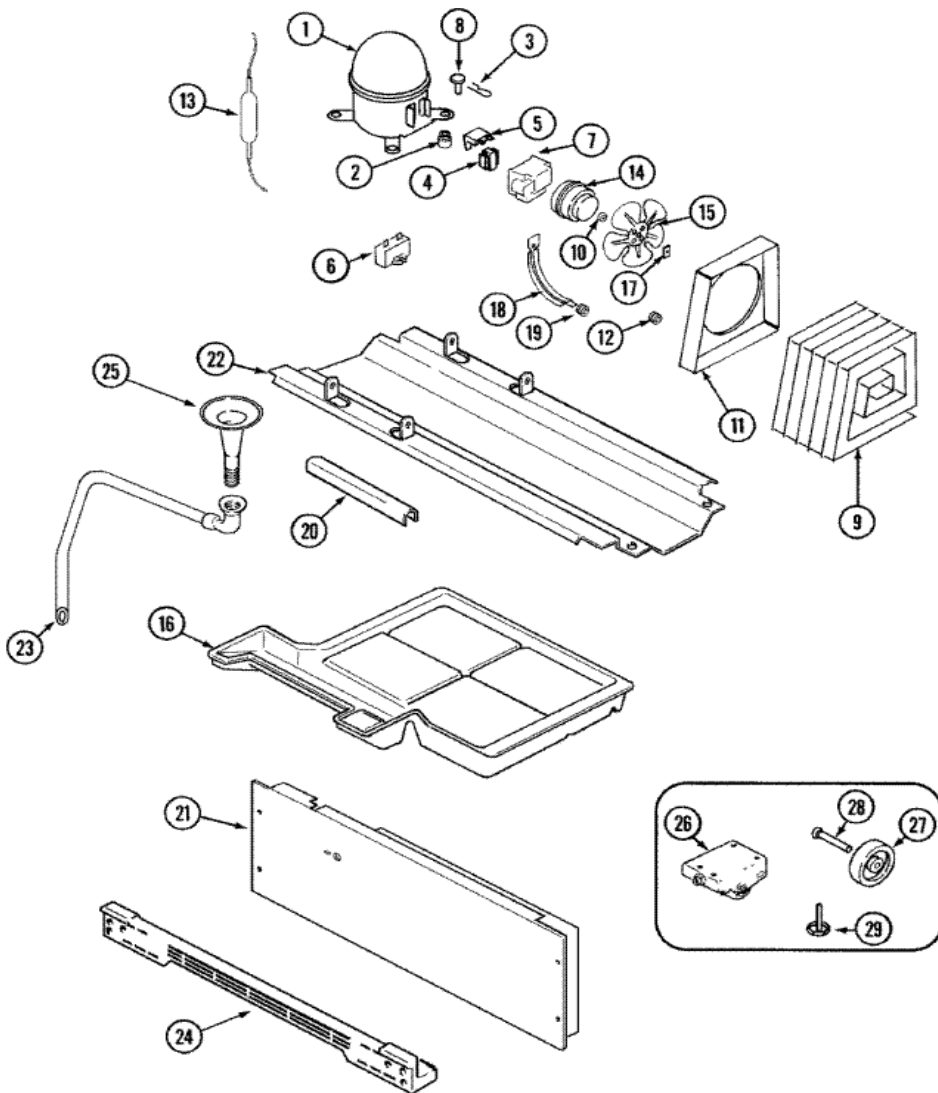


Distribuidor Autorizado

SurteRápido.com

Venta de Refacciones
Electrodomesticas

MSD2757AEW COMPRESOR





MSD2757AEW COMPRESOR

1	12001834	COMPRESSOR ASSY.(R134A-115V) (S/P)
1	61002223	WIRE HARNESS, COMPRESSOR (S/P)
2	17245-4	GROMMET, COMPRESSOR (S/P)
3	61005561	CLIP, COMPRESSOR (S/P)
4	61005504	RELAY, START (S/P)
5	61006295	OVERLOAD (S/P)
6	400017-1	SCREW (S/P)
6	61002137	CAPACITOR, RUN (S/P)
7	61002138	COVER, TERMINAL (S/P)
8	61006030	PLUG, COMPRESSOR (S/P)
9	61001885	SCREW (S/P)
9	61005452	CONDENSER (S/P)
10	61001686	WASHER, FAN BLADE (S/P)
11	61001941	SHROUD, CONDENSER (S/P)
12	61002033	GROMMET, CONDENSER TUBING (S/P)
13	13900-1	DRIER (S/P)
14	65275-33	SCREW (S/P)
14	61002038	MOTOR, CONDENSER FAN (S/P)
15	12587601	BLADE, CONDENSER FAN (S/P)
16	65275-5	SCREW (S/P)
16	61004095	PAN, DRAIN (S/P)
17	486692	CLIP, FAN BLADE (S/P)
18	69181-1	BRACKET, FAN MOTOR (S/P)
19	56933-1	GROMMET, BRACKET (S/P)
20	61001974	ISOLATOR, CONDENSER (S/P)
21	65275-5	SCREW (S/P)
21	61004674	COVER, COMPRESSOR COMPARTMENT (S/P)
22	61002407	SCREW (S/P)
22	61003816	PAN, COMPRESSOR MTG. (S/P)
23	53516-5	CLAMP (S/P)

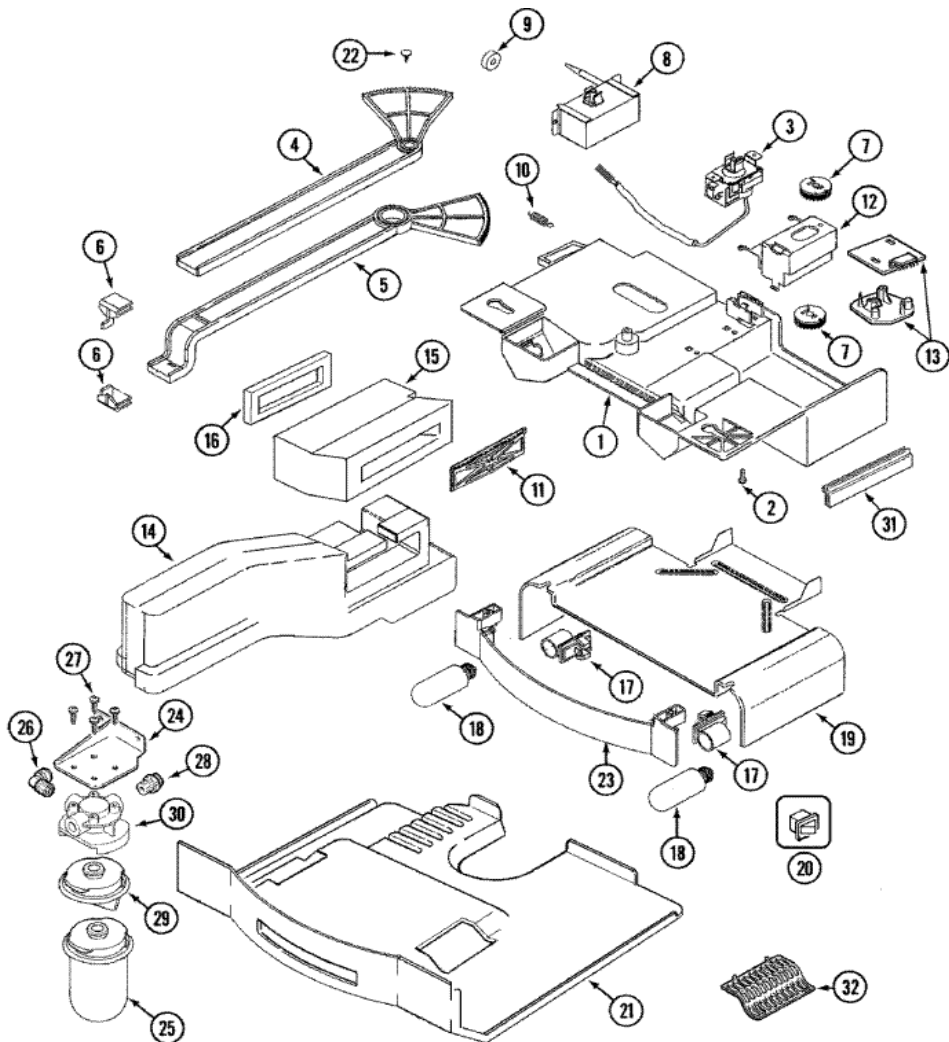
23	61003133	HOSE, DRAIN (S/P)
24	61004053	KICKPLATE (WHT) (S/P)
24	61004096	SCREW (S/P)
25	61004751	TUBE, DRAIN (S/P)
26	61002066	WHEEL ASSY. (FRT) (S/P)
26	400016-1	SCREW (S/P)
27	61003826	WHEEL (REAR) (S/P)
28	61002104	PIN, WHEEL (S/P)
29	61002014	LEG, LEVELING (S/P)

Distribuidor Autorizado

SurteRápido.com

Venta de Refacciones
Electrodomesticas

MSD2757AEW TABLERO





MSD2757AEW TABLERO

1	61005989	HOUSING ASSY., AUTO DAMPER (S/P)
1	61003228	FOIL, HEAT SHIELD (S/P)
1	400031-1	SCREW (S/P)
2	400019-1	SCREW (S/P)
2	67149-1	SUPPORT, DIVIDER (S/P)
3	61005651	CONTROL ASSY., TEMPERATURE (S/P)
3	400016-1	SCREW (S/P)
4	61003287	DESCONTINUADO
5	61003293	ROD, TEMP. CONTROL (S/P)
6	61004591	END CAP, CONTROL ROD (S/P)
7	61003305	GEAR, CONTROL SLIDE (S/P)
8	61003359	DESCONTINUADO
8	61005989	DAMPER, AUTO (S/P)
9	61003358	WASHER, DAMPER ROD (S/P)
10	61003141	SPRING, DAMPER DOOR (S/P)
11	61003235	DOOR, DAMPER (S/P)
12	61003315	SUPPORT, TEMP. CONTROL (S/P)
13	405007-1	SCREW (S/P)
13	61005988	DEFROST ASSY., ADAPTIVE
14	61005972	INSULATION, DISCHARGE (RT) (S/P)
14	61003229	INSULATION, DISCHARGE (LT) (S/P)
15	61003818	TUNNEL, CONTROL HOUSING (S/P)
15	67002286	SEAL, TUNNEL TO HOUSING (S/P)
16	61003819	SEAL, TUNNEL (S/P)
17	61005973	RECEPTACLE, BULB (S/P)
18	61005974	BARRIER, FOIL (RT) (S/P)
18	61005975	BARRIER, FOIL (LT) (S/P)
18	61003236	BULB, LIGHT (S/P)
19	61003238	SHIELD, HEAT (S/P)
20	61003661	SWITCH, LIGHT (S/P)

21	61003924	SHIELD, LIGHT (S/P)
22	61003316	RETAINER, CONTROL ROD (S/P)
23	400031-1	SCREW (S/P)
23	61004380	PANEL, CONTROL (S/P)
24	61003698	BRACKET, WATER FILTER (S/P)
25	UKF7003AXX	FILTER, WATER
26	67001351	FITTING ASSY., WATER FILTER (S/P)
27	61003796	SCREW (S/P)
28	61003790	FITTING, WATER FILTER (S/P)
29	61003791	PLUG, FILTER BYPASS (S/P)
30	61003789	HEAD, WATER FILTER (S/P)
31	61003919	TRIM, CONTROL HSG. (S/P)
32	61004590	GRILL, LIGHT (S/P)
33	61003925	WIRE HARNESS, FRZ./F.F. (S/P)
33	61003696	WIRE HARNESS, CONTROLS (S/P)

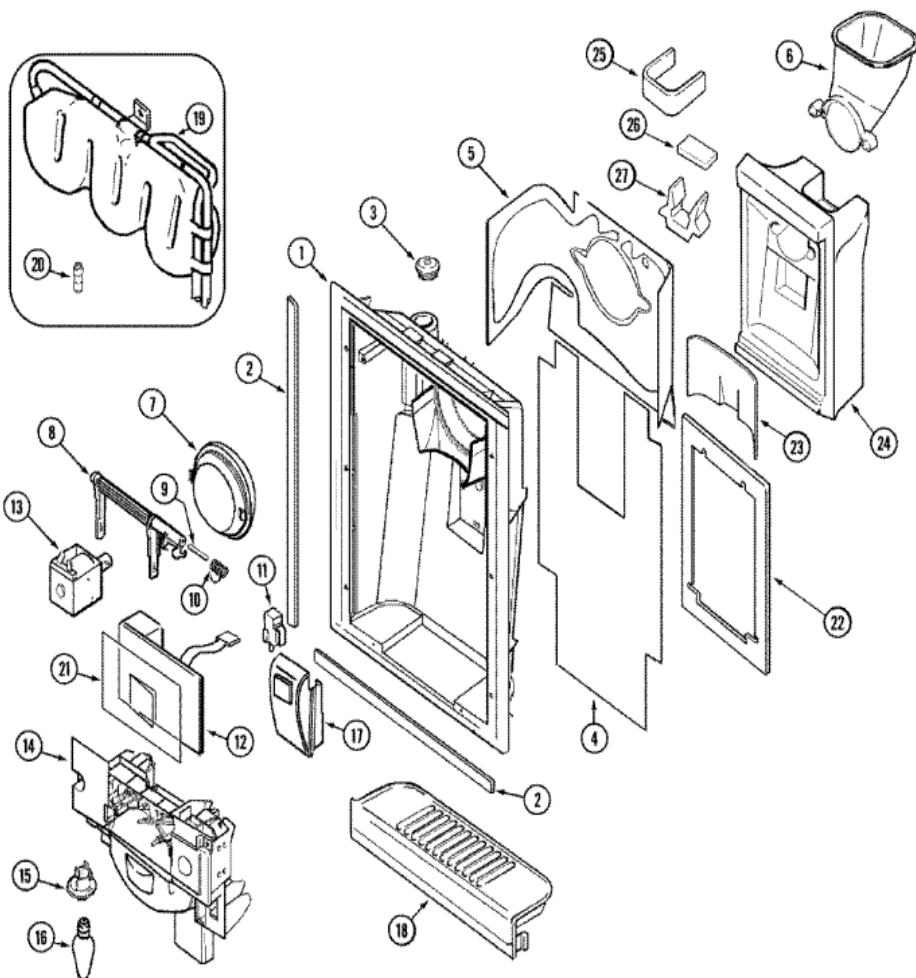
Distribuidor Autorizado

SurteRápido.com

Venta de Refacciones
Electrodomesticas



MSD2757AEW DESPACHADOR DE AGUA





MSD2757AEW DESPACHADOR DE AGUA

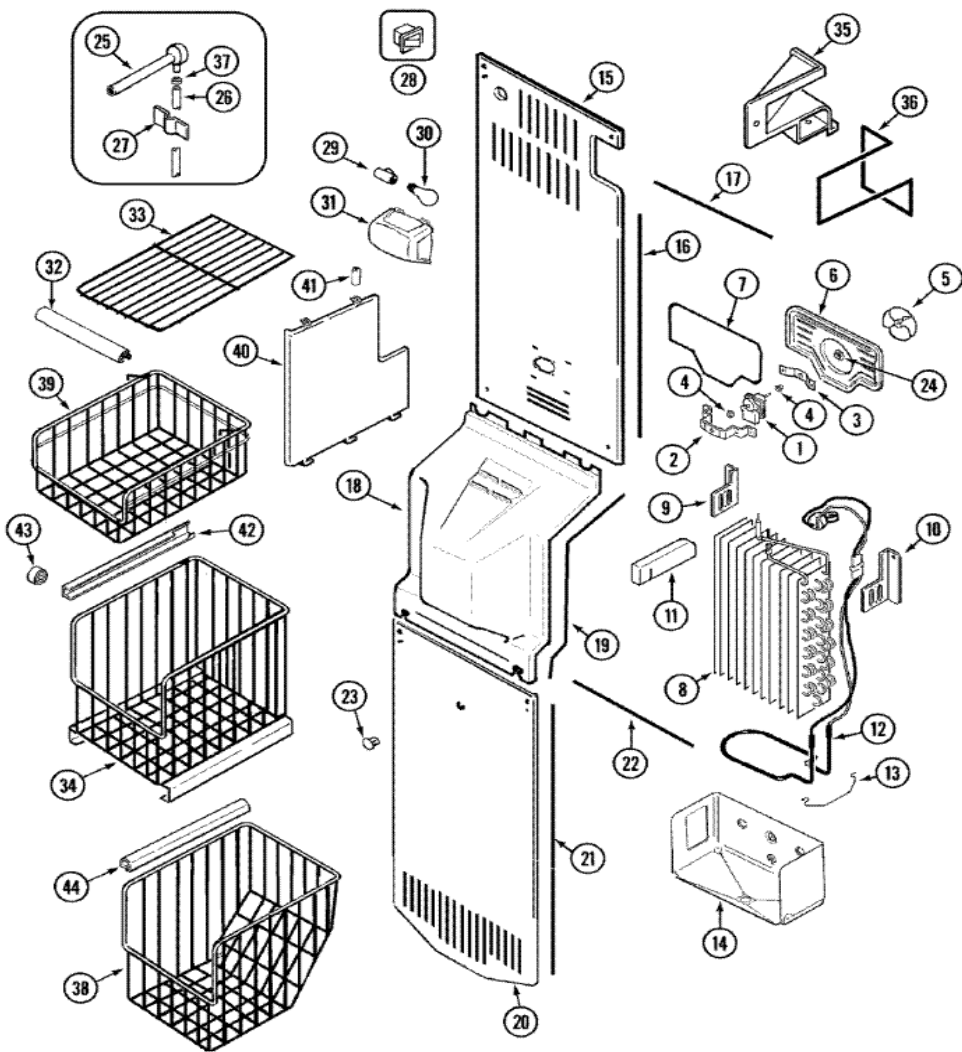
1	12001760	KIT, FOUNTAIN HSG (WHT-27`/CD) (S/P)
2	61003286	TAPE (1FT.) (S/P)
3	61003300	GROMMET, WATER TUBE (S/P)
4	61003304	FOIL, FTN. BACK (S/P)
5	61003125	HEATER, FOUNTAIN (S/P)
6	61004801	CHUTE, ICE (S/P)
7	61003507	DOOR ASSY., ICE (S/P)
8	12001991	STRIKE, ICE DOOR
9	12001991	PIN, ROLL
10	61004388	SPRING, FTN. RETURN
11	61005520	SWITCH, LIMIT
12	61003425	BOARD, CONTROL
13	12001991	SOLENOID
14	61003407	BRACKET, FOUNTAIN (WHT)
15	70119-1	RECEPTACLE, BULB (S/P)
16	67001316	BULB, LIGHT (S/P)
17	61004441	PAD, ACTUATOR (WHT)
18	61003411	GRILL (WHT) (S/P)
19	61003689	TANK ASSY., WATER (S/P)
19	400022-1	SCREW (S/P)
20	61001614	UNION, REDUCING (5/16``-5/16``) (S/P)
21	61003426	BARRIER (S/P)
22	61003339	INSULATION (S/P)
23	61003340	INSULATION (S/P)
24	61003406	INSULATION, FTN. (STYROFOAM) (S/P)
25	61003342	INSULATION (S/P)
26	61003343	INSULATION (S/P)
27	61003308	INSULATION (S/P)
28	61004775	WIRE HARNESS, FTN. (S/P)
28	61003458	WIRE HARNESS, FTN. SWITCHES (S/P)

Distribuidor Autorizado

SurteRápido.com

Venta de Refacciones
Electrodomesticas

MSD2757AEW CANASTAS



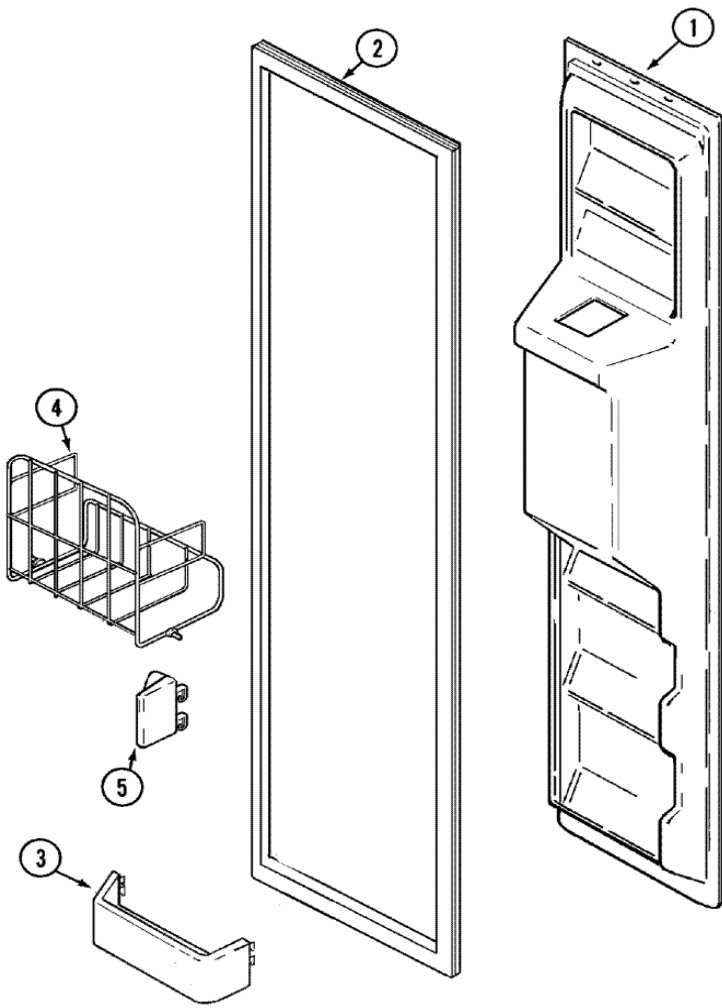


MSD2757AEW CANASTAS

1	61004888	MOTOR, EVAPORATOR FAN
2	61001930	BRACKET, EVAPORATOR FAN (S/P)
2	61001885	SCREW (S/P)
3	61001885	SCREW (S/P)
3	61002234	RETAINER, EVAPORATOR FAN (S/P)
4	61002235	BUSHING, EVAPORATOR FAN (S/P)
5	61003948	BLADE, EVAPORATOR FAN (S/P)
6	61003898	SHROUD, FAN (S/P)
7	61003828	SEAL, FAN SHROUD (S/P)
8	12001641	EVAP/HEAT EXCH, ASSY27, 29, CDSXS
9	61003215	BRACKET, EVAPORATOR (LT) (S/P)
10	61003216	BRACKET, EVAPORATOR (RT) (S/P)
11	61003213	BLOCK, AIR (S/P)
12	61006199	HEATER & THERM. ASSY., DEFROST
13	67005457	CLIP, DEFROST HEATER (S/P)
14	61003830	DESCONTINUADO
15	61004028	DESCONTINUADO
15	400027-28	DESCONTINUADO
16	61003832	SEAL, UPPER COVER (LT) (S/P)
17	61003834	SEAL, UPPER COVER (TOP) (S/P)
18	61003835	COVER, EVAPORATOR FAN (S/P)
19	61003832	SEAL (S/P)
20	61003836	COVER, COIL (LWR) (S/P)
20	400027-28	DESCONTINUADO
21	61003832	SEAL (S/P)
22	61003837	DESCONTINUADO
23	61001952	PLUG BUTTON, EVAP. COVER (S/P)
24	61003198	SLINGER, DISC (S/P)
25	67877-1	CLIP, FILL TUBE (S/P)
25	61005743	GROMMET, FILL TUBE (S/P)
26	67579-26	TUBING (S/P)
27	61003562	CLIP, WATER LINE (ADHESIVE) (S/P)

28	12002646	SWITCH, LIGHT (S/P)
29	68974-3	RECEPTACLE, BULB
30	31956-1	BULB, LIGHT (S/P)
31	61002272	SHIELD, LIGHT (S/P)
32	61003950	DESCONTINUADO
33	61005546	SHELF, FRZ. (S/P)
34	61003952	DESCONTINUADO
35	61003205	DIVERTER, AIR (S/P)
35	400017-1	SCREW (S/P)
36	61003206	SEAL, AIR DIVERTER (S/P)
37	61001161	CLAMP, WATER LINE (S/P)
38	61003953	BASKET, TWIN (LWR) (S/P)
39	61003954	BASKET, FRZ. (HALF) (S/P)
40	61006121	DIVIDER, DISPENSER ENCLOSURE (S/P)
41	68823-1	SPACER, DIVIDER (S/P)
41	61001028	SCREW (S/P)
42	414004-35	SCREW (S/P)
42	61003956	RAIL, TWIN BASKET (RT) (S/P)
42	61003957	RAIL, TWIN BASKET (LT) (S/P)
43	61003958	ROLLER, TWIN BASKET (S/P)
43	61003959	WASHER (S/P)
43	61003960	SCREW (S/P)
44	61003961	GLIDE, TWIN BASKET (S/P)
45	61003962	DUCT, MULLION (S/P)
46	61003955	WIRE HARNESS, FAN & HEATER (S/P)
46	61003731	WIRE HARNESS, FRZ. (S/P)

MSD2757AEW PUERTA CONGELADOR

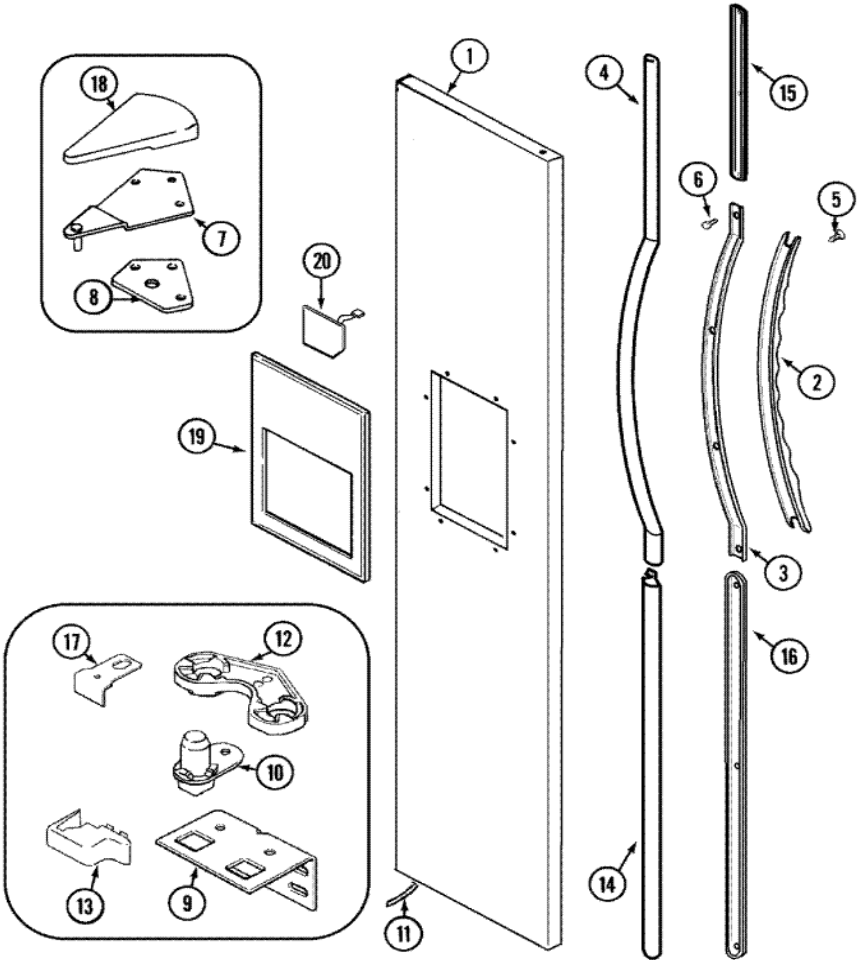




MSD2757AEW PUERTA CONGELADOR

1	61004741	INSERT, LINER SUPPORT (SIDE) (S/P)
1	61003854	LINER, FRZ. DOOR (S/P)
1	65275-5	SCREW (S/P)
1	61003917	INSERT, LINER SUPPORT(TOP/BTM) (S/P)
2	61005946	SEAL, FRZ. DOOR (WHT) (S/P)
3	61003987	FRONT, PICK-OFF (S/P)
4	61003988	BASKET, TILTDOWN (S/P)
5	61003754	STOP, BASKET (RT) (S/P)
5	61003753	STOP, BASKET (LT) (S/P)

**MSD2757AEW JALADERAS
 CONGELADOR**

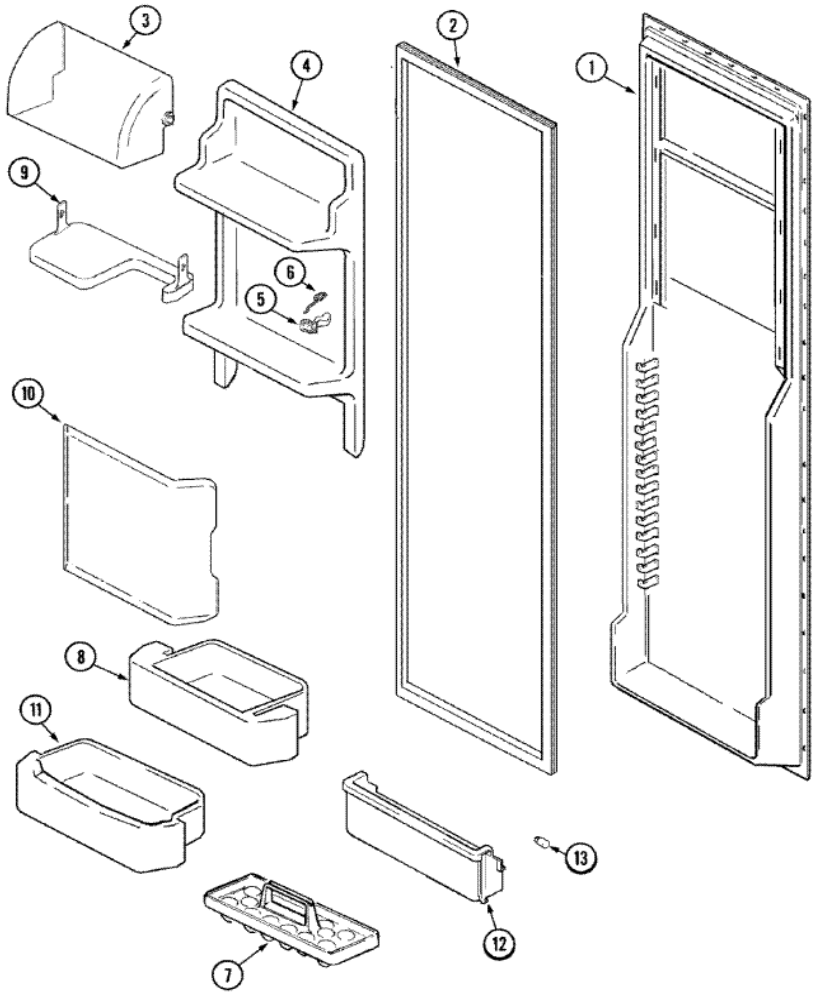




**MSD2757AEW JALADERAS
CONGELADOR**

1	61006016	PANEL, FRZ. DOOR (WHT) (S/P)
2	61004329	HANDLE, DOOR (WHT) (S/P)
3	61004292	FRAME, HANDLE (S/P)
4	61004330	INSERT, HANDLE (WHT) (S/P)
5	61003351	SCREW, HANDLE TO FRAME (S/P)
6	61002180	SCREW (S/P)
7	61004896	HINGE, UPPER (S/P)
7	65275-86	SCREW, UPPER HINGE (S/P)
8	61001922	SHIM, UPPER HINGE (S/P)
9	61001918	HINGE, LOWER (WHT) (S/P)
9	61003128	SCREW (S/P)
10	61003174	PIN, LOWER HINGE
11	61001614	UNION, REDUCING (5/16``-5/16``) (S/P)
11	61004569	TUBING, FOUNTAIN (S/P)
12	61002180	SCREW (S/P)
13	61003219	COVER, LOWER HINGE (WHT) (S/P)
14	61003966	INSERT, EXT. TRIM (LWR-WHT) (S/P)
15	61004497	TRIM, HANDLE EXT. (UPR) (S/P)
16	61004425	TRIM, HANDLE EXT. (LWR) (S/P)
17	61002180	SCREW (S/P)
17	61003273	STOP, DOOR (S/P)
18	61004641	SCREW, COVER (S/P)
18	61004642	COVER, UPPER HINGE (WHT) (S/P)
19	61003984	ESCUTCHEON (WHT) (S/P)
19	415013-35	SCREW (S/P)
20	61003422	DESCONTINUADO
20	61003421	BOARD, FTN. SWITCH

**MSD2757AEW PUERTA
REFRIGERADOR**

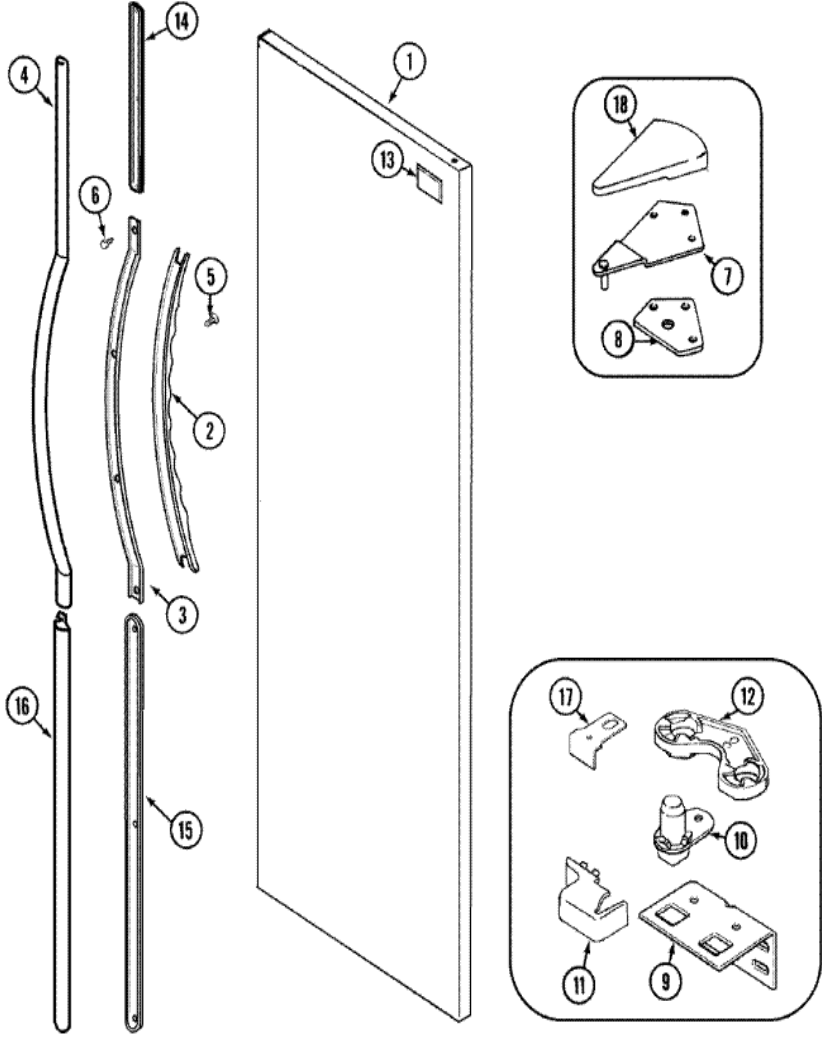




MSD2757AEW PUERTA REFRIGERADOR

1	65275-5	SCREW (S/P)
1	61003980	INSERT, LINER SUPPORT(TOP/BTM) (S/P)
1	12002055	DESCONTINUADO
1	61003979	INSERT, LINER SUPPORT (SIDES) (S/P)
2	61003847	SEAL, F.F. DOOR (WHT) (S/P)
3	61003971	DOOR, DAIRY (S/P)
4	61005192	CHILL COMPARTMENT ASSY. (S/P)
5	61003973	CAM, LATCH (S/P)
5	61002584	SCREW (S/P)
6	61003974	SPRING, LATCH (S/P)
7	60066-1	TRAY, EGG (S/P)
8	61003975	DRAWER, CHILL COMPT. (S/P)
9	61003977	SHELF, CHILL COMPT. (S/P)
10	61003978	DOOR, CHILL COMPT. (S/P)
11	61003976	SHELF, PICK-OFF (S/P)
12	61003996	BUCKET, TIP OUT (S/P)
13	61002719	STOP, BUCKET (S/P)

MSD2757AEW JALADERAS REFRIGERADOR





**MSD2757AEW JALADERAS
REFRIGERADOR**

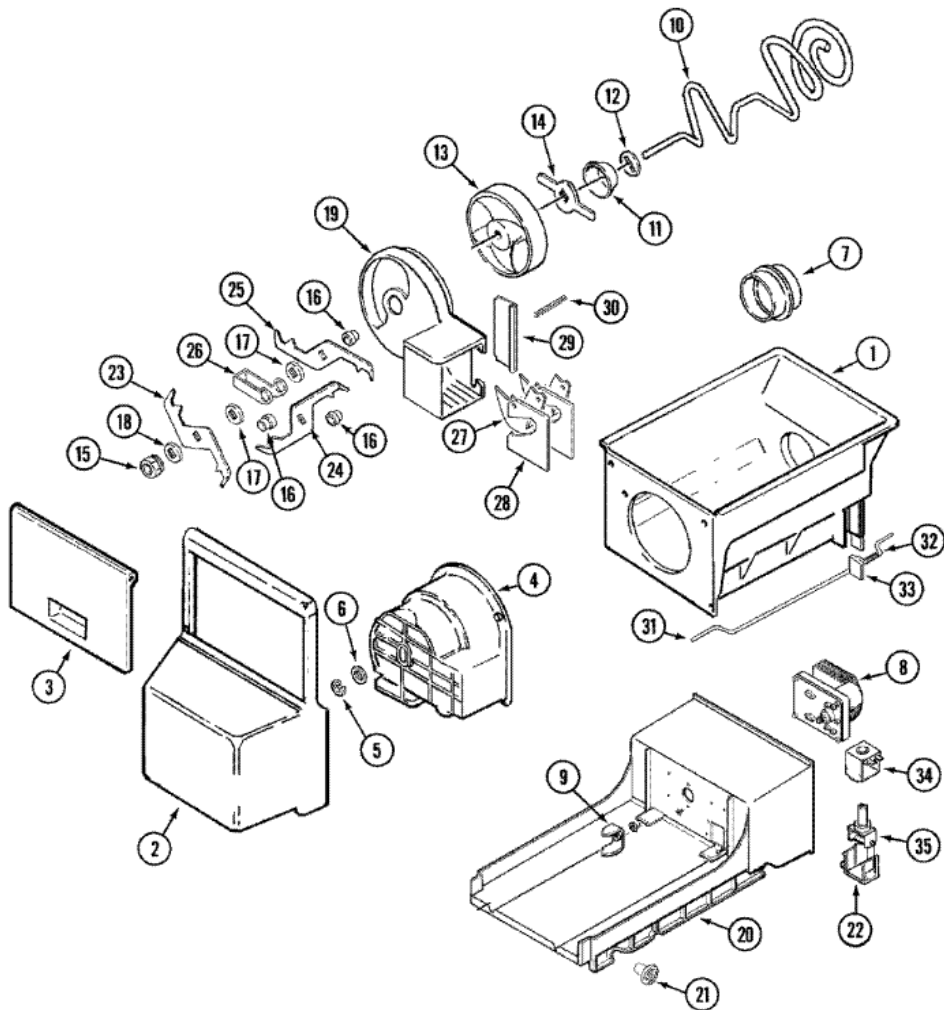
1	61005799	PANEL, F.F. DOOR (WHT) (S/P)
1	61003514	LABEL, DUAL ENERGY GUIDE (S/P)
2	61004329	HANDLE, DOOR (WHT) (S/P)
3	61004292	FRAME, HANDLE (S/P)
4	61004330	INSERT, HANDLE (WHT) (S/P)
5	61003351	SCREW, HANDLE TO FRAME (S/P)
6	61002180	SCREW (S/P)
7	61004896	HINGE, UPPER (S/P)
7	65275-86	SCREW, UPPER HINGE (S/P)
8	61001922	SHIM, UPPER HINGE (S/P)
9	61003128	SCREW (S/P)
9	61001918	HINGE, LOWER (WHT) (S/P)
10	61003174	PIN, LOWER HINGE
11	61003220	COVER, LOWER HINGE (WHT) (S/P)
12	61002180	SCREW (S/P)
13	61003616	NAMEPLATE (WHT) (S/P)
14	61004497	TRIM, HANDLE EXT. (UPR) (S/P)
15	61004425	TRIM, HANDLE EXT. (LWR) (S/P)
16	61003966	INSERT, EXT. TRIM (LWR-WHT) (S/P)
17	61003273	STOP, DOOR (S/P)
17	61002180	SCREW (S/P)
18	61004640	COVER, UPPER HINGE (WHT) (S/P)

Distribuidor Autorizado

SurteRápido.com

Venta de Refacciones
Electrodomesticas

MSD2757AEW CONTENEDOR DE HIELO (REV 10)





MSD2757AEW CONTENEDOR DE HIELO (REV 10)

1	61003319	DESCONTINUADO
2	415013-35	SCREW (S/P)
2	61003440	FRONT, ICE BIN (S/P)
3	61004776	DOOR, ICE ACCESS (S/P)
4	415013-35	SCREW (S/P)
4	61003322	DESCONTINUADO
5	69704-1	RING, SNAP (S/P)
6	69703-1	WASHER, RETAINER (S/P)
7	61003336	RING, DRIVE (S/P)
8	61004805	WIRE HARNESS, AUGER MOTOR (S/P)
8	61003324	SCREW (S/P)
8	12001773	ASSY., AUGER MOTOR/YOKE
9	63052-2	YOKE, ICE DISPENSER
10	61003326	AUGER (S/P)
11	69699-1	CONE, ICE DEFLECTOR (S/P)
12	69698-1	WASHER, CONE STOP (S/P)
13	61003327	IMPELLER (S/P)
14	61003328	PLATE, DRIVE (S/P)
15	69709-1	NUT, AUGER (S/P)
16	69697-1	BEARING, SPACER (S/P)
17	69696-1	SPACER, CRUSHER BLADE (S/P)
18	69696-2	SPACER, BLADE (S/P)
19	61003334	MANDIPLATE (S/P)
20	400022-1	SCREW (S/P)
20	61003859	ENCLOSURE, ICE (S/P)
21	400022-1	SCREW (S/P)
21	61005080	SUPPORT, ENCLOSURE (S/P)
22	400026-12	SCREW (S/P)
22	69715-1	GUIDE, YOKE (S/P)
23	69702-3	BLADE, CRUSHER (S/P)
24	69702-2	BLADE, CRUSHER (S/P)

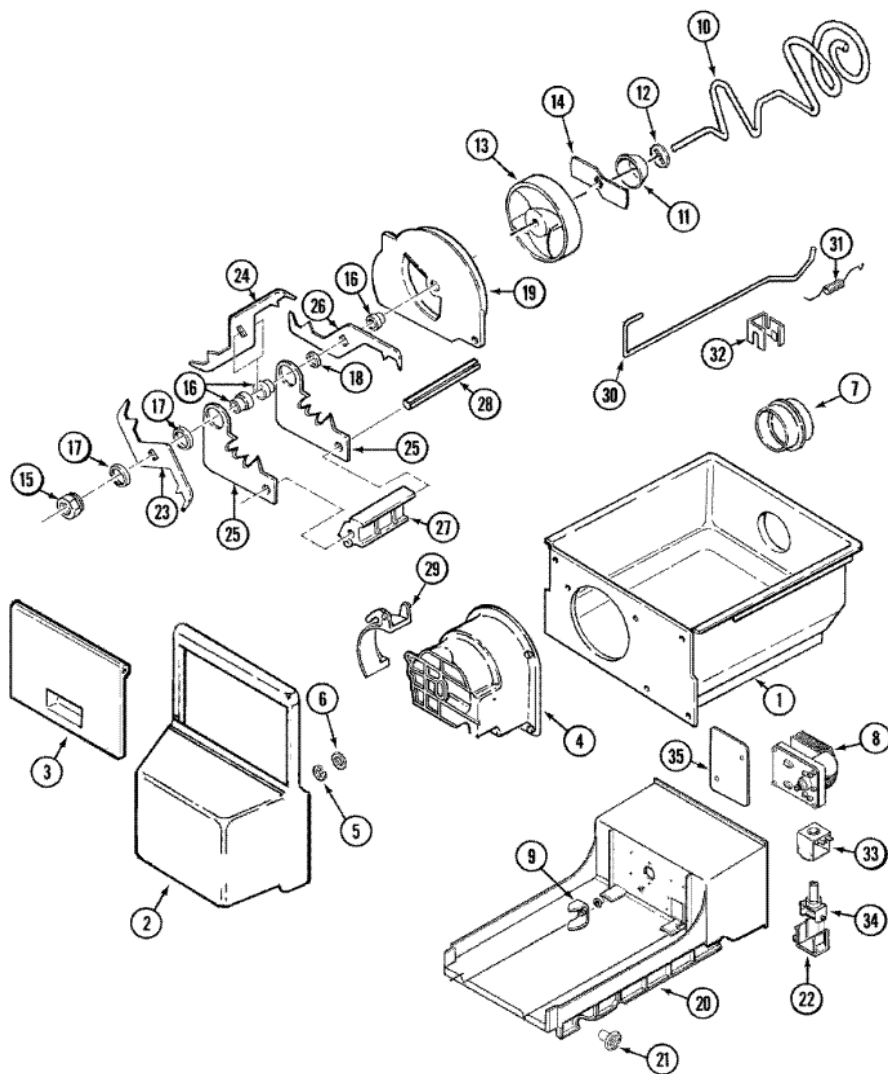
25	61003451	BLADE, CRUSHER (S/P)
26	61003445	DIVERTER, ICE (S/P)
27	61003448	BLADE, ACTUATED (S/P)
28	61003446	SUPPORT, CONTROL ROD (S/P)
29	61003444	SHIELD, SNOW (S/P)
30	61003449	PIN, MANDIBLE (S/P)
31	61003450	ROD, CRUSHER CONTROL (S/P)
32	61003447	SPRING, CONTROL ROD (S/P)
33	69716-1	BRACKET, CONTROL ROD (S/P)
34	61003324	SCREW (S/P)
34	61005253	SOLENOID
35	61005844	YOKE ASSY.

Distribuidor Autorizado

SurteRápido.com

Venta de Refacciones
Electrodomesticas

MSD2757AEW CONTENEDOR DE HIELO (REV 11)





MSD2757AEW CONTENEDOR DE HIELO (REV 11)

1	61004802	BIN, ICE (S/P)
2	61004803	FRONT, ICE BIN
2	415013-35	SCREW (S/P)
3	61004776	DOOR, ICE ACCESS (S/P)
4	61004804	HOUSING, CRUSHER (S/P)
4	415013-35	SCREW (S/P)
4	61004869	SEAL (S/P)
5	69704-1	RING, SNAP (S/P)
6	69703-1	WASHER, RETAINER (S/P)
7	61003336	RING, DRIVE (S/P)
8	61004805	WIRE HARNESS, AUGER MOTOR (S/P)
8	12001773	ASSY., AUGER MOTOR/YOKE
8	61003324	SCREW (S/P)
9	63052-1	YOKE, ICE DISPENSER (S/P)
10	61003326	AUGER (S/P)
11	69699-1	CONE, ICE DEFLECTOR (S/P)
12	69698-1	WASHER, CONE STOP (S/P)
13	70036-1	IMPELLER (S/P)
14	69755-1	PLATE, DRIVE (S/P)
15	69709-1	NUT, AUGER (S/P)
16	69697-1	BEARING, SPACER (S/P)
17	69696-1	SPACER, CRUSHER BLADE (S/P)
18	69696-2	SPACER, BLADE (S/P)
19	69701-1	PLATE, IMPELLER (S/P)
20	61005625	ENCLOSURE, ICE (S/P)
20	400022-1	SCREW (S/P)
21	61005080	SUPPORT, ENCLOSURE (S/P)
21	400022-1	SCREW (S/P)
22	69715-1	GUIDE, YOKE (S/P)
22	400026-12	SCREW (S/P)
23	69702-3	BLADE, CRUSHER (S/P)

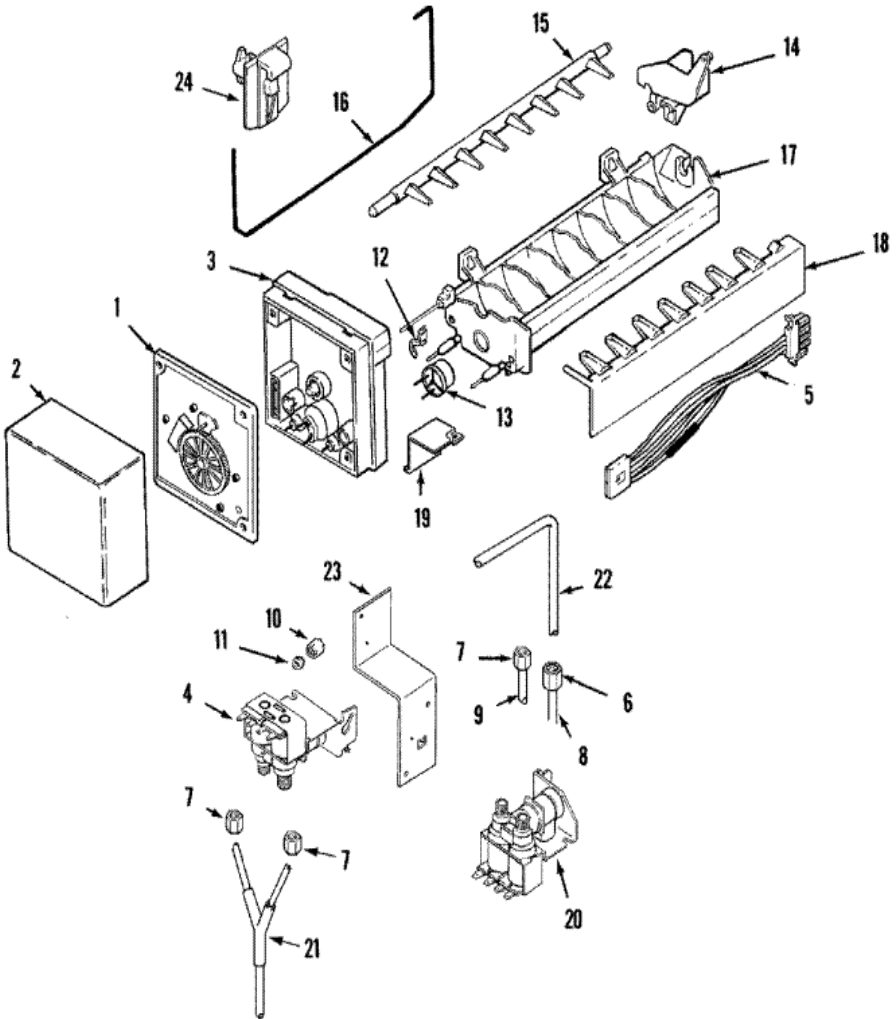
24	69702-2	BLADE, CRUSHER (S/P)
25	69706-1	BLADE, CRUSHER (S/P)
26	69702-1	BLADE, CRUSHER (S/P)
27	69708-1	LOCK, FIXED BLADE (S/P)
28	69705-1	PIN, BLADE LOCK (S/P)
29	69718-1	DOOR, ICE CRUSHER (S/P)
30	61004807	ROD, CRUSHER CONTROL (S/P)
31	61004808	SPRING, CONTROL ROD (S/P)
32	61004809	BRACKET, CONTROL ROD (S/P)
33	61005253	SOLENOID
33	61003324	SCREW (S/P)
34	61005844	YOKE ASSY.
35	61004850	SHIELD, WIRE (S/P)

Distribuidor Autorizado

SurteRápido.com

Venta de Refacciones
Electrodomesticas

MSD2757AEW ICEMAKER





MSD2757AEW ICEMAKER

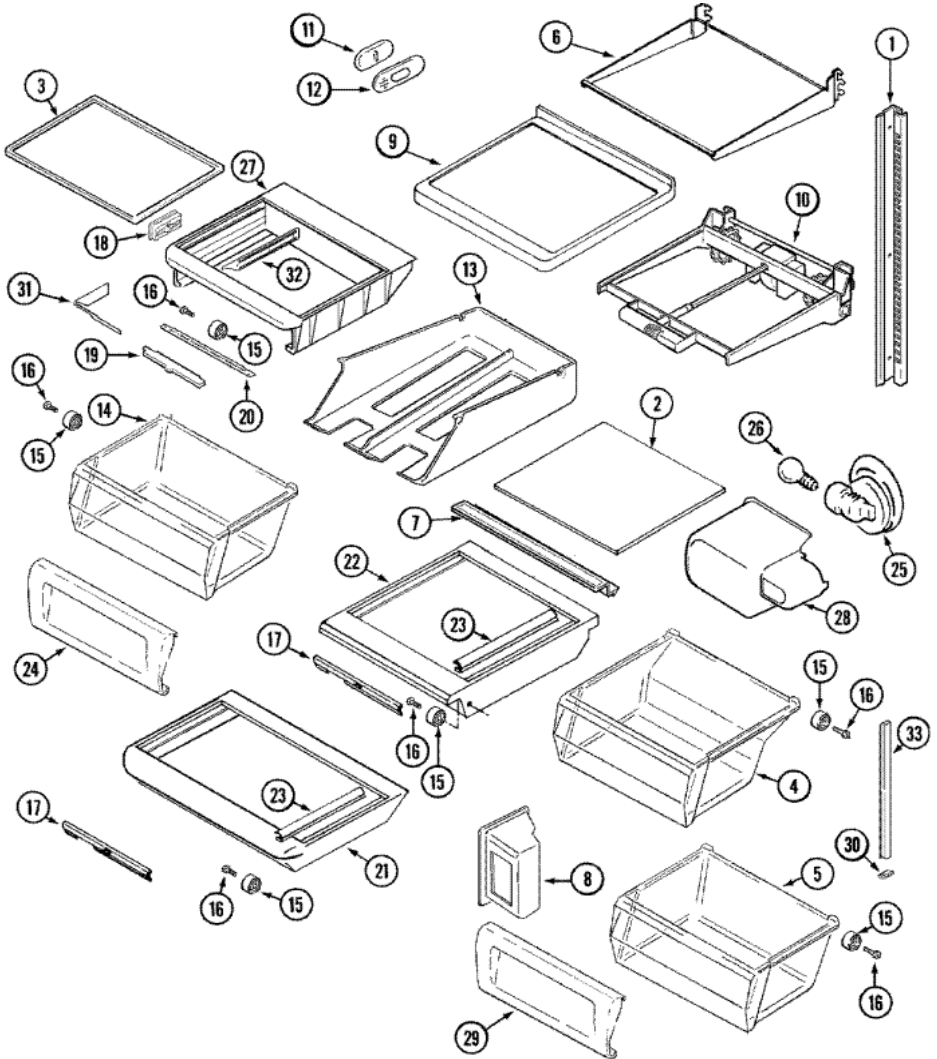
1	95109-1	MODULE, ICE MAKER (S/P)
2	61005374	COVER, ICE MAKER (S/P)
3	2195914	SUPPORT, MODULE HOUSING (S/P)
4	12001892	VALVE, WATER (FILTER)
4	61003324	SCREW (S/P)
5	61003912	WIRE HARNESS, ICE MAKER (S/P)
6	8201513	NUT, COMPRESSION (5/16``) (S/P)
7	69583-1	NUT, COMPRESSION (1/4``) (S/P)
9	67579-26	TUBING (S/P)
10	69432-1	NUT, BRASS (1/4``) (S/P)
11	487627	SLEEVE, BRASS (S/P)
12	2315522	RETAINER, THERMOSTAT (S/P)
13	627985	THERMOSTAT
13	95093-1	CEMENT, ALUMILASTIC (4 OZ.) (S/P)
14	628356	INLET, WATER
15	627843	EJECTOR, ICE (S/P)
16	70142-1	ARM, SENSOR (S/P)
17	95098-1	MOLD & HEATER ASSY. (S/P)
18	2182124	STRIPPER, ICE (S/P)
19	625910	BRACKET, MODULE & HEATER (S/P)
19	95108-1	SCREW, BRACKET (S/P)
20	61003324	SCREW (S/P)
20	61005626	VALVE, WATER (ICE MAKER)
21	61004391	GROMMET ASSY., WATER LINE (S/P)
21	61003800	CLIP, WATER FILTER (S/P)
21	61001161	CLAMP, WATER LINE (S/P)
22	61004392	GROMMET ASSY., WATER LINE (S/P)
23	61003732	BRACKET, WATER VALVE (S/P)
23	61002819	SCREW (S/P)
24	61005028	SUPPORT, ICE MAKER (S/P)

Distribuidor Autorizado

SurteRápido.com

Venta de Refacciones
Electrodomesticas

MSD2757AEW CAJONES





MSD2757AEW CAJONES

1	12002129	RAIL, SHELF SUPPORT (S/P)
1	400017-1	SCREW (S/P)
2	61003926	GLASS, CRISPER SHELF (S/P)
2	61003927	GLASS, CRISPER SHELF (S/P)
3	61004409	GLASS, MEAT SHELF (S/P)
4	61005713	PAN, CRISPER
5	61005622	PAN, CRISPER (S/P)
6	61005897	FRAME, SHELF (S/P)
6	61003738	DESCONTINUADO
7	61003932	SEAL (S/P)
7	61003931	SEAL, CRISPER SHELF (S/P)
8	61006081	COVER ASSY., AIR RETURN
9	61003942	SHELF, SLIDE-OUT (S/P)
9	61004495	SHELF, ADJUSTABLE (SPILLPROOF) (S/P)
10	61004480	GLIDE, SHELF (S/P)
10	61005439	FRAME ASSY., ELEVATOR SHELF (S/P)
11	61003945	SLIDE, CONTROL (CHILL COMPT.) (S/P)
12	61003946	HOUSING, CONTROL SLIDE (S/P)
13	61002406	RACK, CAN (S/P)
14	61005715	PAN, MEAT (S/P)
15	67423-2	ROLLER (S/P)
16	65275-6	SCREW (S/P)
17	61003781	SLIDE, CONTROL (S/P)
18	61003725	RETAINER, DUCT (S/P)
18	61006055	DUCT, AIR (MEAT) (S/P)
19	61003674	SLIDE, CONTROL (MEAT) (S/P)
20	415013-35	SCREW (S/P)
20	61003784	COVER, MEAT PAN SLIDE (S/P)
21	12002190	FRAME, CRISPER SHELF (S/P)
22	12002186	FRAME, CRISPER SHELF (S/P)
23	61003714	SEAL, CRISPER SIDE (UPR) (S/P)

23	61003938	SEAL, CRISPER SIDE (S/P)
24	61004494	FRONT ASSY., MEAT PAN (S/P)
25	61003379	RECEPTACLE, BULB (S/P)
26	61001787	BULB, LIGHT (S/P)
27	61006238	FRAME, MEAT SHELF (S/P)
28	61003439	SHIELD, LIGHT (S/P)
29	61004495	FRONT ASSY., CRISPER PAN (S/P)
30	61004110	BASE, FILLER STRIP (LT) (S/P)
30	61004109	BASE, FILLER STRIP (RT) (S/P)
30	400019-1	SCREW (S/P)
31	61003943	TAPE, MEAT CONTROL (S/P)
32	61003723	COVER, MEAT CONTROL TAPE (S/P)
32	415013-35	SCREW (S/P)
33	61003888	DESCONTINUADO