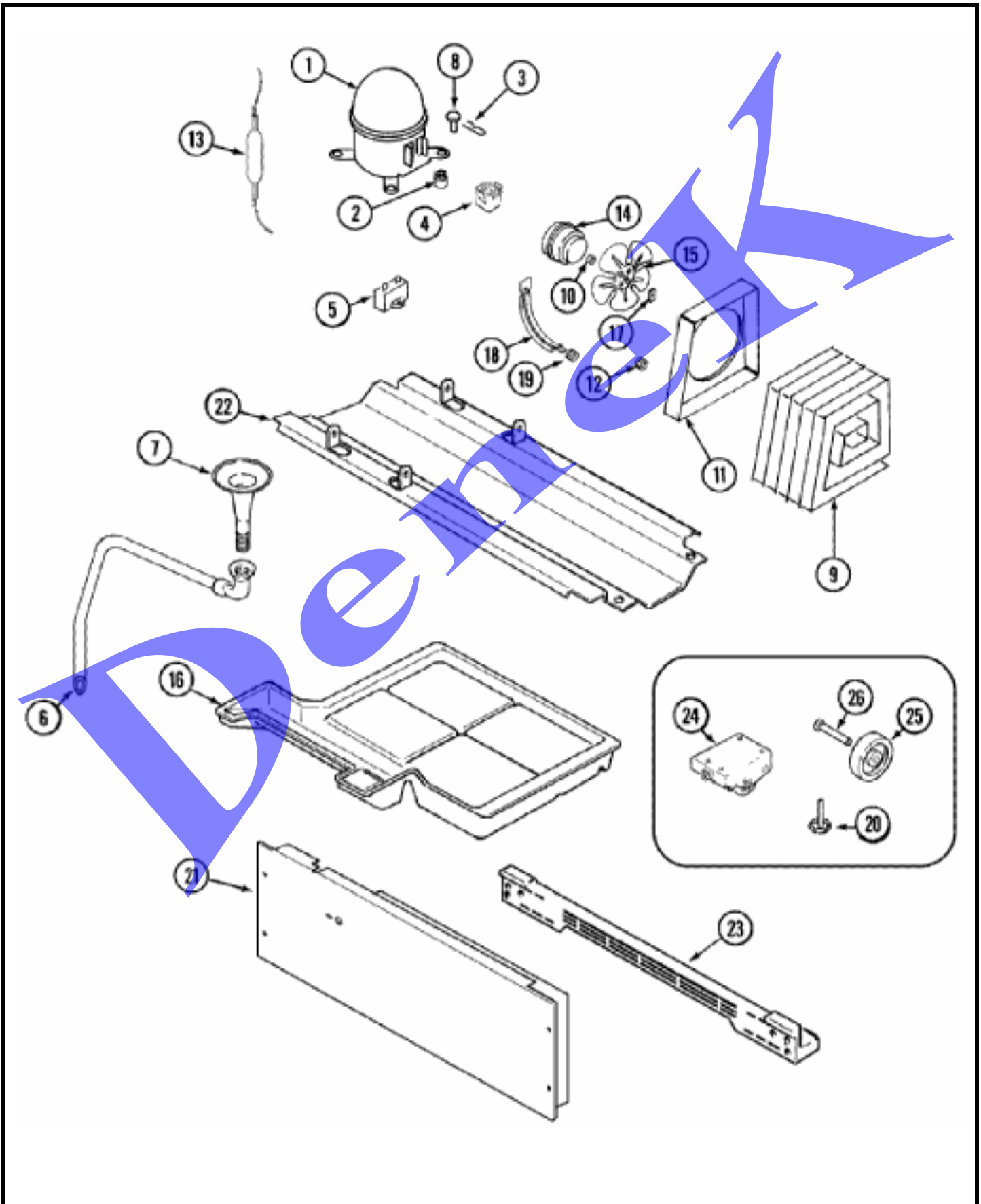


## MAYTAG MSD2757DEW

## COMPRESSOR



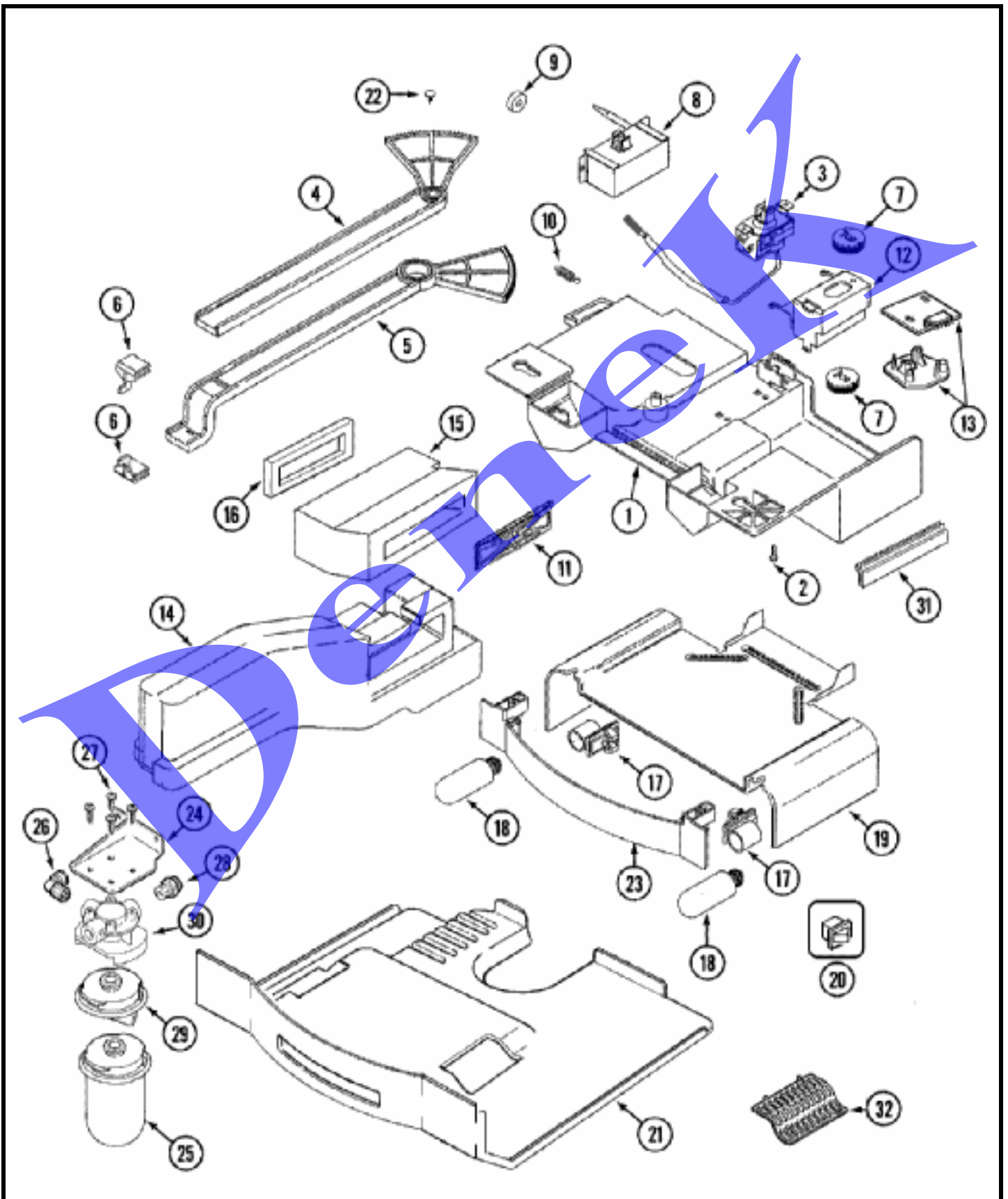
**MAYTAG MSD2757DEW**

**COMPRESSOR**

1	12001777	COMPRESSOR ASSY. (R134A)
1	61004917	WIRE HARNESS, COMPRESSOR
2	17245-4	GROMMET, COMPRESSOR
2	61005241	GROMMET, COMPRESSOR
3	61003099	CLIP, COMPRESSOR
4	61004918	RELAY/OVERLOAD ASSY.
5	400017-1	SCREW
5	65889-4	CAPACITOR, RUN
6	53516-9	CLAMP
6	61003133	HOSE, DRAIN
7	61004751	TUBE, DRAIN
8	52656-2	PLUG, COMPRESSOR
9	61004378	SCREW
9	61003814	CONDENSER
10	61001686	WASHER, FAN BLADE
11	61001941	SHROUD, CONDENSER
12	61002033	GROMMET, CONDENSER TUBING
13	13900-1	DRIER
14	61002038	MOTOR, CONDENSER FAN
14	65275-33	SCREW
15	60683-1	BLADE, CONDENSER FAN
16	400017-1	SCREW
16	61002649	PAN, DRAIN
17	19914	CLIP, FAN BLADE
18	69181-1	BRACKET, FAN MOTOR
19	61004743	GROMMET, BRACKET
20	61002014	LEG, LEVELING
21	61004674	COVER, COMPRESSOR COMPARTMENT
21	65275-50	SCREW
22	61005269	PAN, COMPRESSOR MTG.
22	61002407	SCREW
22	61003816	PAN, COMPRESSOR MTG.
23	61004053	KICKPLATE (WHT)
23	400016-1	SCREW
24	400016-1	SCREW
24	400017-1	SCREW
24	61002066	WHEEL ASSY. (FRT)
24	61005232	WHEEL ASSY. (FRT)
25	61003826	WHEEL (REAR)
26	61002104	PIN, WHEEL
27	12001548	YODER LOOP HTR(115V)27,29,23CD
28	61005032	MANUAL, USE & CARE (TRI)
29	16010154	SVC MAN,SXS

## MAYTAG MSD2757DEW

## CONTROLS



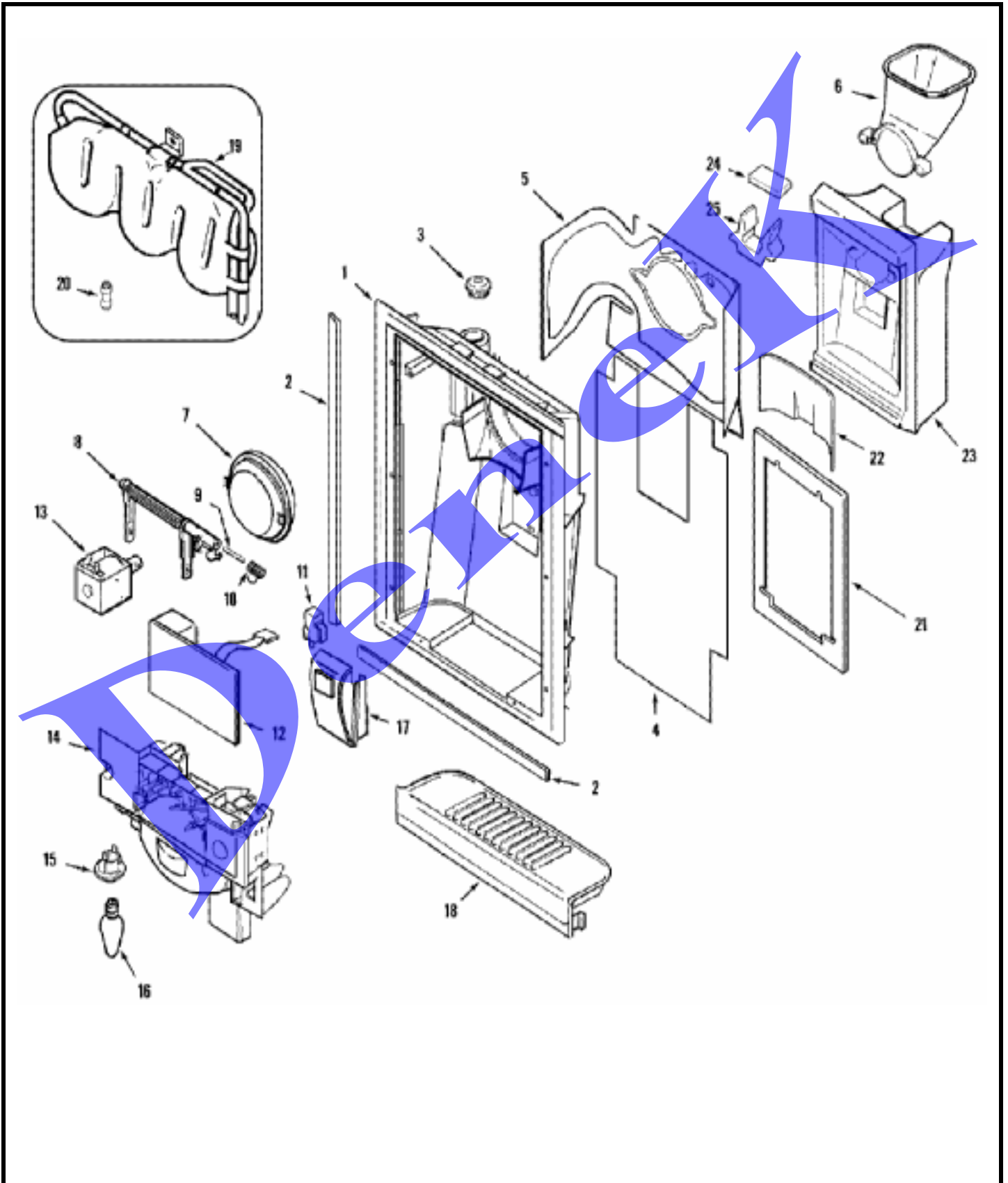
**MAYTAG MSD2757DEW**

**CONTROLS**

1	400031-1	SCREW
1	61003228	FOIL, HEAT SHIELD
1	61005043	HOUSING ASSY., AUTO DAMPER
2	61004314	SCREW (#8 AB)
3	400016-1	SCREW
3	61003989	CONTROL ASSY., TEMPERATURE
4	61003287	ROD, DAMPER CONTROL
5	61003293	ROD, TEMP. CONTROL
6	61004591	END CAP, CONTROL ROD
7	61003305	GEAR, CONTROL SLIDE
8	61003359	SCREW
8	61005044	DAMPER, AUTO
9	61003358	WASHER, DAMPER ROD
10	61003141	SPRING, DAMPER DOOR
11	61003235	DOOR, DAMPER
12	61003315	SUPPORT, TEMP. CONTROL
13	405007-1	SCREW
13	61003990	DEFROST ASSY., ADAPTIVE
14	61003229	INSULATION, DISCHARGE (LT)
14	61003230	INSULATION, DISCHARGE (RT)
15	61003147	SEAL, TUNNEL TO HOUSING
15	61004380	PANEL, CONTROL
16	61003819	SEAL, TUNNEL
17	61003237	RECEPTACLE, BULB
18	61003236	BULB, LIGHT
18	61003354	BARRIER, FOIL (LT)
18	61003355	BARRIER, FOIL (RT)
19	61003238	SHIELD, HEAT
20	61003661	SWITCH, LIGHT
21	61003924	SHIELD, LIGHT
22	61003316	RETAINER, CONTROL ROD
23	400031-1	SCREW
23	61004380	PANEL, CONTROL
24	61003698	BRACKET, WATER FILTER
25	UKF7002AXX	FILTER, WATER
26	61003705	FITTING ASSY., WATER FILTER
27	61003796	SCREW
28	61003790	FITTING, WATER FILTER
29	61003791	PLUG, FILTER BYPASS
30	61003789	HEAD, WATER FILTER
31	61003891	TRIM, CONTROL HOUSING
32	61004590	GRILL, LIGHT
33	61003696	WIRE HARNESS, CONTROLS
33	61004262	WIRE HARNESS, FRZ./F.F.

## MAYTAG MSD2757DEW

## FOUNTAIN



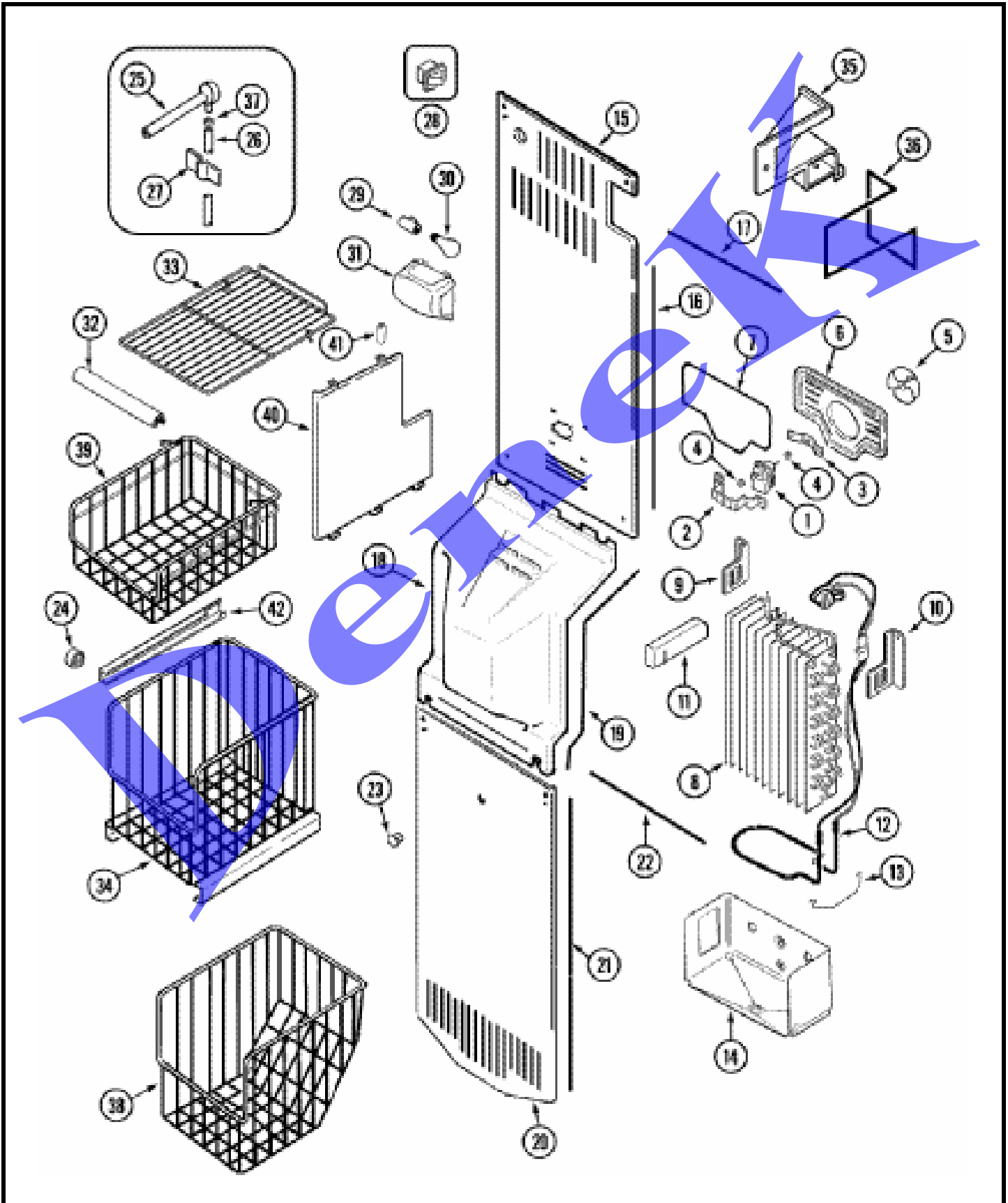
**MAYTAG MSD2757DEW**

**FOUNTAIN**

1	415013-35	SCREW
1	61003307	SCREW
1	61004675	HOUSING, FOUNTAIN (WHT)
2	61003286	TAPE (1FT.)
3	61003300	GROMMET, WATER TUBE
4	61003304	FOIL, FTN. BACK
5	61005001	HEATER, FOUNTAIN
6	61004677	CHUTE, ICE
6	415013-35	SCREW
7	61003507	DOOR ASSY., ICE
8	61003311	STRIKE, ICE DOOR
9	61003303	PIN, ROLL
10	61004388	SPRING, FTN. RETURN
11	61003124	SWITCH, LIMIT
11	415041-35	SCREW
12	61005002	BOARD, CONTROL
12	61005274	BOARD, CONTROL
12	61003426	BARRIER
13	61003297	SCREW
13	61003121	SOLENOID
14	415013-35	SCREW
14	61003407	BRACKET, FOUNTAIN (WHT)
15	70119-1	RECEPTACLE, BULB
16	63179-1	BULB, LIGHT
17	61004441	PAD, ACTUATOR (LT. GRY)
18	61003411	GRILL (WHT)
19	61003689	TANK ASSY., WATER
19	400022-1	SCREW
20	61001614	UNION, REDUCING (5/16"-5/16")
21	61003339	INSULATION
22	61003340	INSULATION
23	61004724	INSULATION, FTN. (STYROFOAM)
24	61003343	INSULATION
25	61003308	INSULATION
26	61005003	WIRE HARNESS, FTN.
26	61005275	WIRE HARNESS, FTN.

## MAYTAG MSD2757DEW

## FREEZER COMPARTMENT



**MAYTAG MSD2757DEW**

**FREEZER COMPARTMENT**

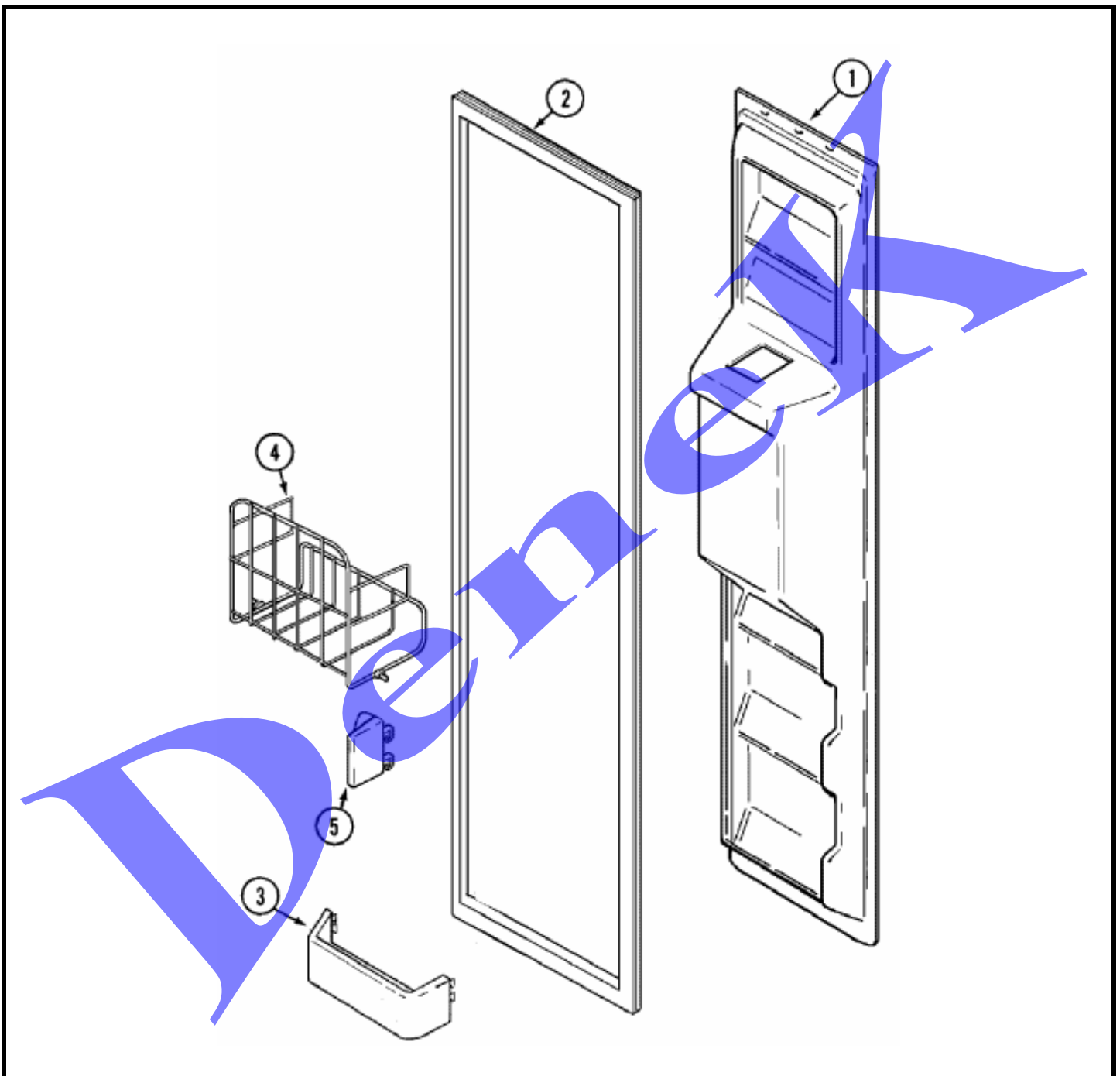
1	61004888	MOTOR, EVAPORATOR FAN
2	61001885	SCREW
2	61001930	BRACKET, EVAPORATOR FAN
3	61001885	SCREW
3	61002234	RETAINER, EVAPORATOR FAN
4	61002235	BUSHING, EVAPORATOR FAN
5	61004522	BLADE, EVAPORATOR FAN
6	61003898	SHROUD, FAN
7	61003828	SEAL, FAN SHROUD
8	12001641	EVAP/HEAT EXCH,ASSY27,29,CDSXS
9	61003215	BRACKET, EVAPORATOR (LT)
10	61003216	BRACKET, EVAPORATOR (RT)
11	61003213	BLOCK, AIR
12	61004310	HEATER & THERM. ASSY., DEFROST
13	61004152	CLIP, DEFROST HEATER
14	61003830	HOUSING, EVAPORATOR
15	61004028	COVER, COIL (UPR)
15	61004424	SCREW
16	61003832	SEAL, UPPER COVER (LT)
16	61003833	SEAL, UPPER COVER (RT)
17	61003834	SEAL, UPPER COVER (TOP)
18	61003835	COVER, EVAPORATOR FAN
19	61003209	SEAL
20	61003836	COVER, COIL (LWR)
20	61004424	SCREW
21	61003212	SEAL
22	61003837	SEAL, LOWER COVER
23	61001952	PLUG BUTTON, EVAP. COVER
24	61003958	ROLLER, TWIN BASKET
24	61003959	WASHER
24	61003960	SCREW
25	67877-1	CLIP, FILL TUBE
25	61003253	GROMMET, FILL TUBE
26	67579-1	TUBE, VALVE
27	61004913	CLIP, WATER LINE (ADHESIVE)
28	61005052	SWITCH, LIGHT
29	68974-3	RECEPTACLE, BULB
30	31956-1	BULB, LIGHT
31	61002272	SHIELD, LIGHT
32	61003950	TRIM, SHELF (FRT)
33	61003951	SHELF, FRZ.
34	61003952	BASKET, TWIN (UPR)
35	61003205	DIVERTER, AIR
35	400017-1	SCREW
36	61003206	SEAL, AIR DIVERTER
37	61001161	CLAMP, WATER LINE
38	61003953	BASKET, TWIN (LWR)



39 61003954 BASKET, FRZ. (HALF)  
40 61003900 DIVIDER, DISPENSER ENCLOSURE  
41 68823-1 SPACER, DIVIDER  
41 400031-1 SCREW  
42 414004-35 SCREW  
42 61003956 RAIL, TWIN BASKET (RT)  
42 61003957 RAIL, TWIN BASKET (LT)  
43 61004988 WIRE HARNESS, FRZ.  
43 61003955 WIRE HARNESS, FAN & HEATER  
43 61003731 WIRE HARNESS, FRZ.

**MAYTAG MSD2757DEW**

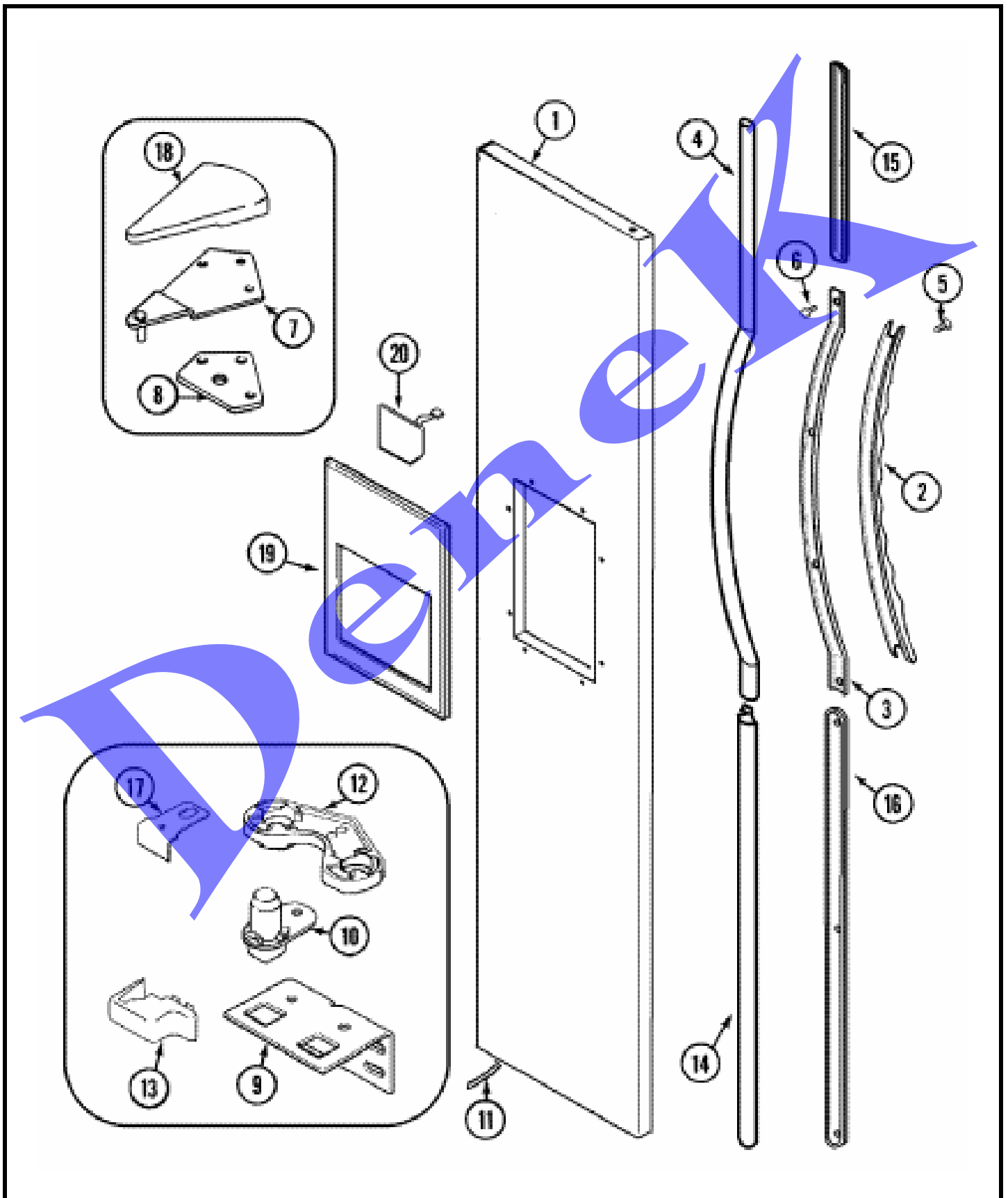
**FREEZER INNER DOOR**



- |   |          |                                |
|---|----------|--------------------------------|
| 1 | 61003854 | LINER, FRZ. DOOR               |
| 1 | 61003917 | INSERT, LINER SUPPORT(TOP/BTM) |
| 1 | 61004741 | INSERT, LINER SUPPORT (SIDE)   |
| 1 | 65275-5  | SCREW                          |
| 2 | 61003855 | SEAL, FRZ. DOOR (WHT)          |
| 3 | 61003987 | FRONT, PICK-OFF                |
| 4 | 61003988 | BASKET, TILTDOWN               |
| 5 | 61003753 | STOP, BASKET (LT)              |
| 5 | 61003754 | STOP, BASKET (RT)              |

MAYTAG MSD2757DEW

FREEZER OUTER DOOR



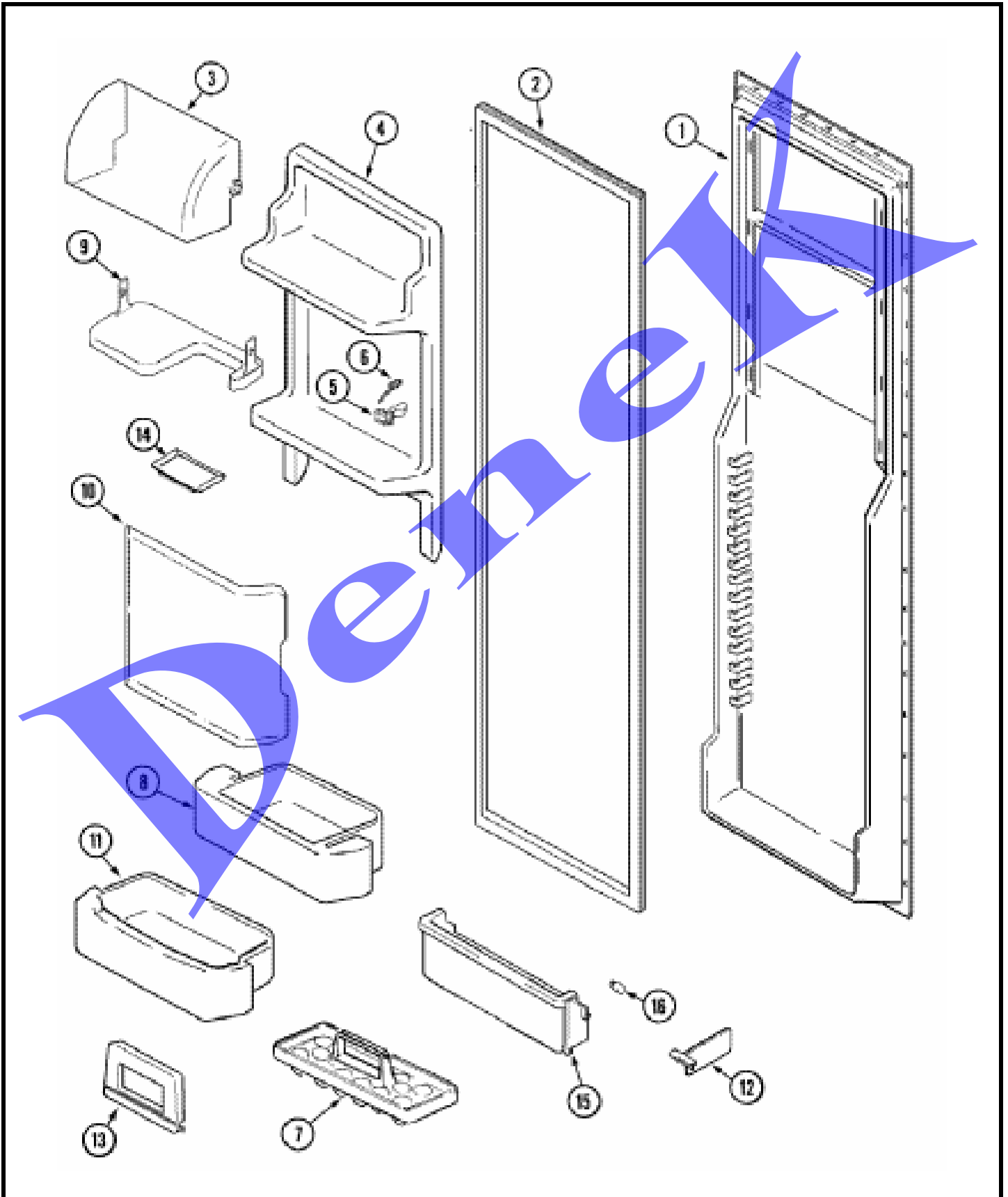
**MAYTAG MSD2757DEW**

**FREEZER OUTER DOOR**

1	61005149	PANEL, FRZ. DOOR (WHT)
1	61005296	PANEL, FRZ. DOOR (WHT)
2	61004329	HANDLE (WHT)
3	61004292	FRAME, HANDLE
4	61004330	INSERT, HANDLE (WHT)
5	61003351	SCREW, HANDLE TO FRAME
6	61002180	SCREW
7	61004763	SCREW
7	61004896	HINGE, UPPER
8	61001922	SHIM, UPPER HINGE
9	61003128	SCREW
9	61001918	HINGE, LOWER (WHT)
10	61003174	PIN, LOWER HINGE
11	61001614	UNION, REDUCING (5/16"-5/16")
11	61004569	TUBING, FOUNTAIN
12	61002180	SCREW
12	61003647	CLOSER, DOOR (NATURAL)
13	61003219	COVER, LOWER HINGE (WHT)
14	61003966	INSERT, EXT. TRIM (LWR-WHT)
15	61004497	TRIM, HANDLE EXT. (UPR)
16	61004425	TRIM, HANDLE EXT. (LWR)
17	61003273	STOP, DOOR
17	61002180	SCREW
18	61004641	SCREW, COVER
18	61004642	COVER, UPPER HINGE (WHT)
19	61004997	ESCUTCHEON (WHT)
19	415013-35	SCREW
20	61003422	SCREW
20	61005277	BOARD, FTN. SWITCH

## MAYTAG MSD2757DEW

## FRESH FOOD INNER DOOR



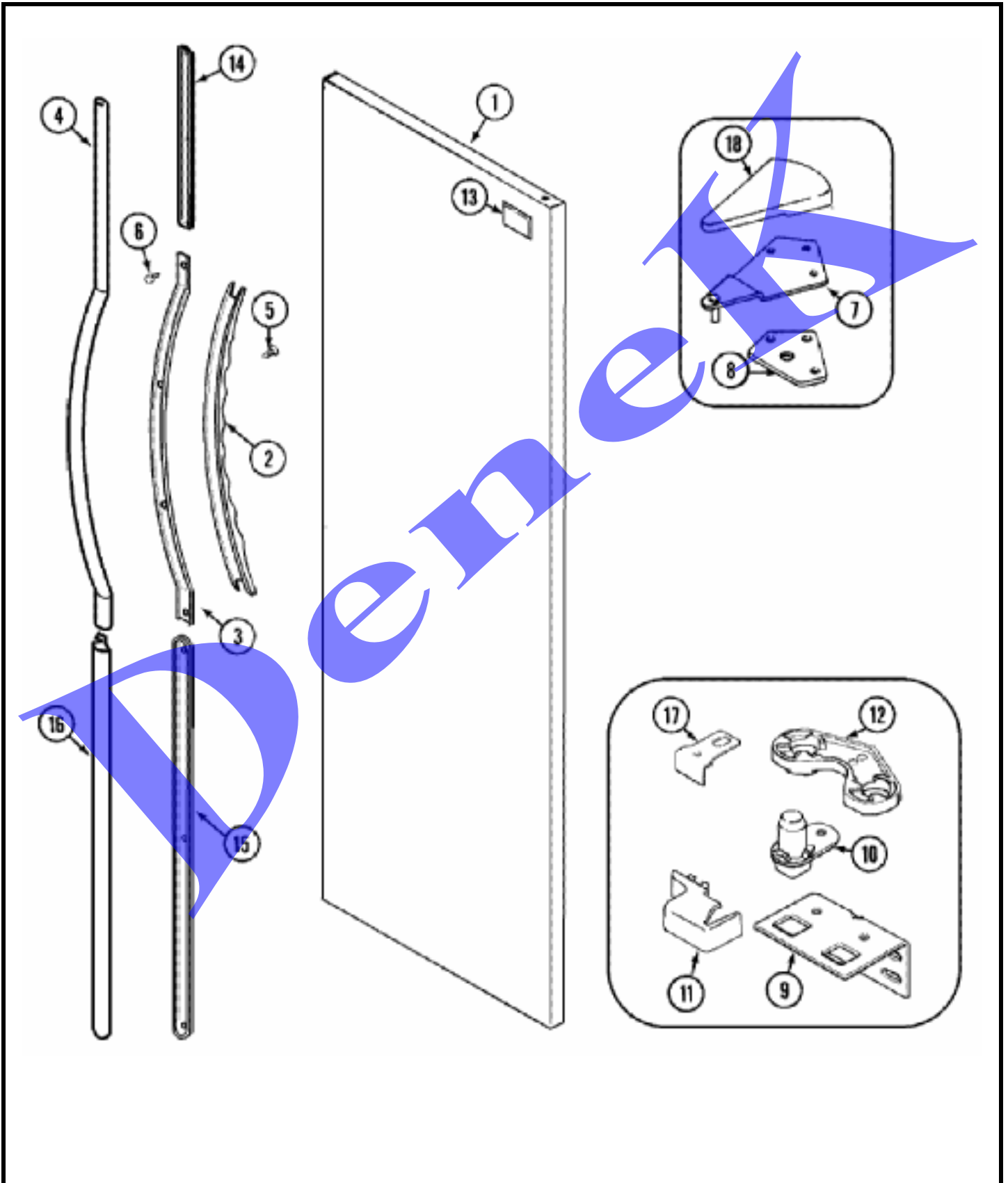
**MAYTAG MSD2757DEW**

**FRESH FOOD INNER DOOR**

1	61003970	LINER, F.F. DOOR
1	61003979	INSERT, LINER SUPPORT (SIDES)
1	61003980	INSERT, LINER SUPPORT(TOP/BTM)
1	65275-5	SCREW
2	61003847	SEAL, F.F. DOOR (WHT)
3	61003971	DOOR, DAIRY
4	61004718	FRAME ASSY., CHILL COMPT.
5	61002584	SCREW
5	61004685	CAM, LATCH
6	61003974	SPRING, LATCH
7	60066-1	TRAY, EGG
8	61003975	DRAWER, CHILL COMPT.
9	61003977	SHELF, CHILL COMPT.
10	61004839	DOOR ASSY., CHILL COMPARTMENT
11	61003976	SHELF, PICK-OFF
12	61002274	ORGANIZER, SHELF
13	61002273	RETAINER, BOTTLE
14	29936-2	TRAY, BUTTER
15	61003996	BUCKET, TIP OUT
16	61002719	STOP, BUCKET

## MAYTAG MSD2757DEW

## FRESH FOOD OUTER DOOR



**MAYTAG MSD2757DEW**

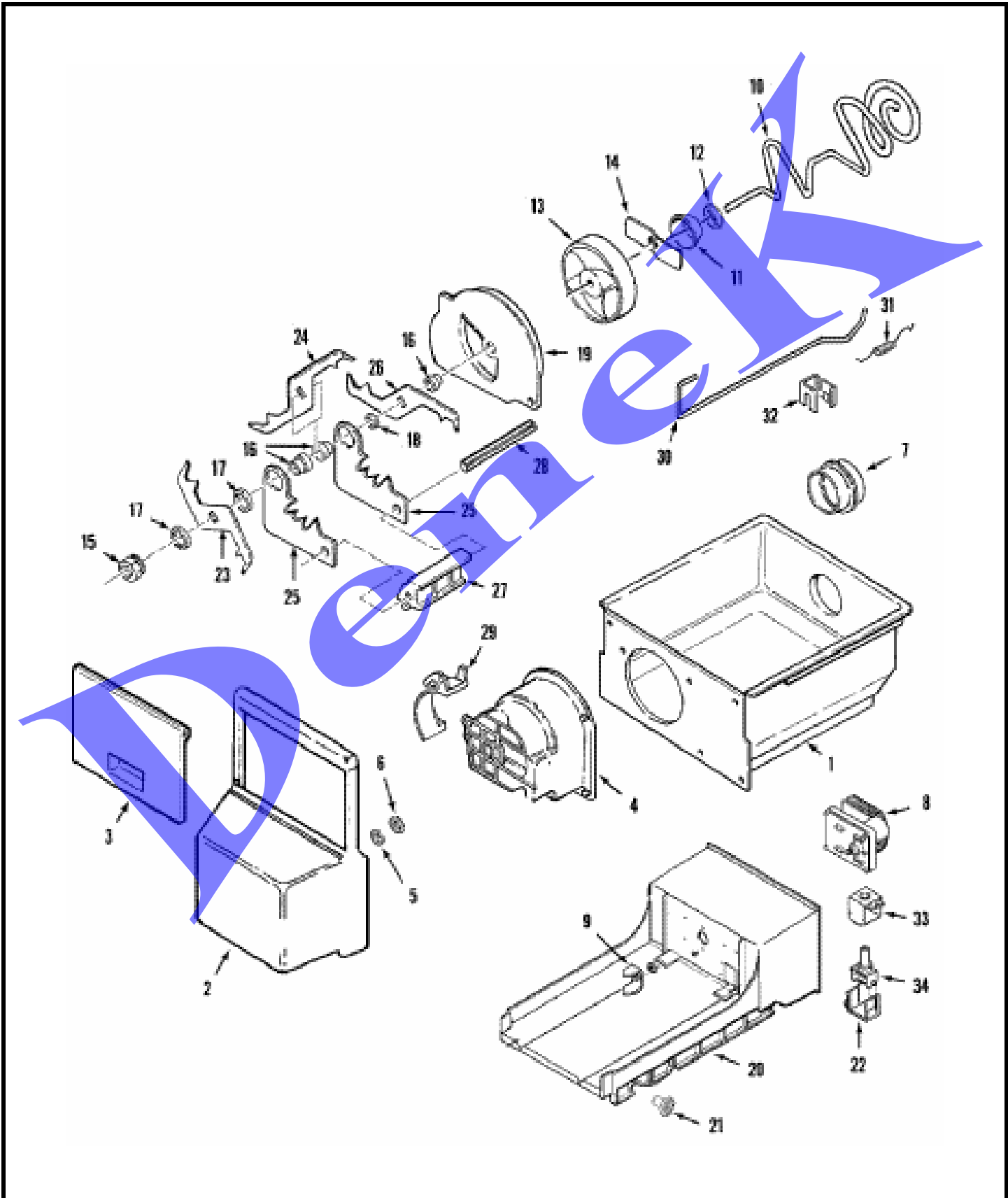
**FRESH FOOD OUTER DOOR**

1	61004496	PANEL, F.F. DOOR (WHT)
2	61004329	HANDLE (WHT)
3	61004292	FRAME, HANDLE
4	61004330	INSERT, HANDLE (WHT)
5	61003351	SCREW, HANDLE TO FRAME
6	61002180	SCREW
7	61004763	SCREW
7	61004896	HINGE, UPPER
8	61001922	SHIM, UPPER HINGE
9	61003128	SCREW
9	61001918	HINGE, LOWER (WHT)
10	61003174	PIN, LOWER HINGE
11	61003220	COVER, LOWER HINGE (WHT)
12	61002180	SCREW
12	61003647	CLOSER, DOOR (NATURAL)
13	61003616	NAMEPLATE (WHT)
14	61004497	TRIM, HANDLE EXT. (UPR)
15	61004425	TRIM, HANDLE EXT. (LWR)
16	61003966	INSERT, EXT. TRIM (LWR-WHT)
17	61002180	SCREW
17	61003273	STOP, DOOR
18	61004640	COVER, UPPER HINGE (WHT)



## MAYTAG MSD2757DEW

## ICE BIN



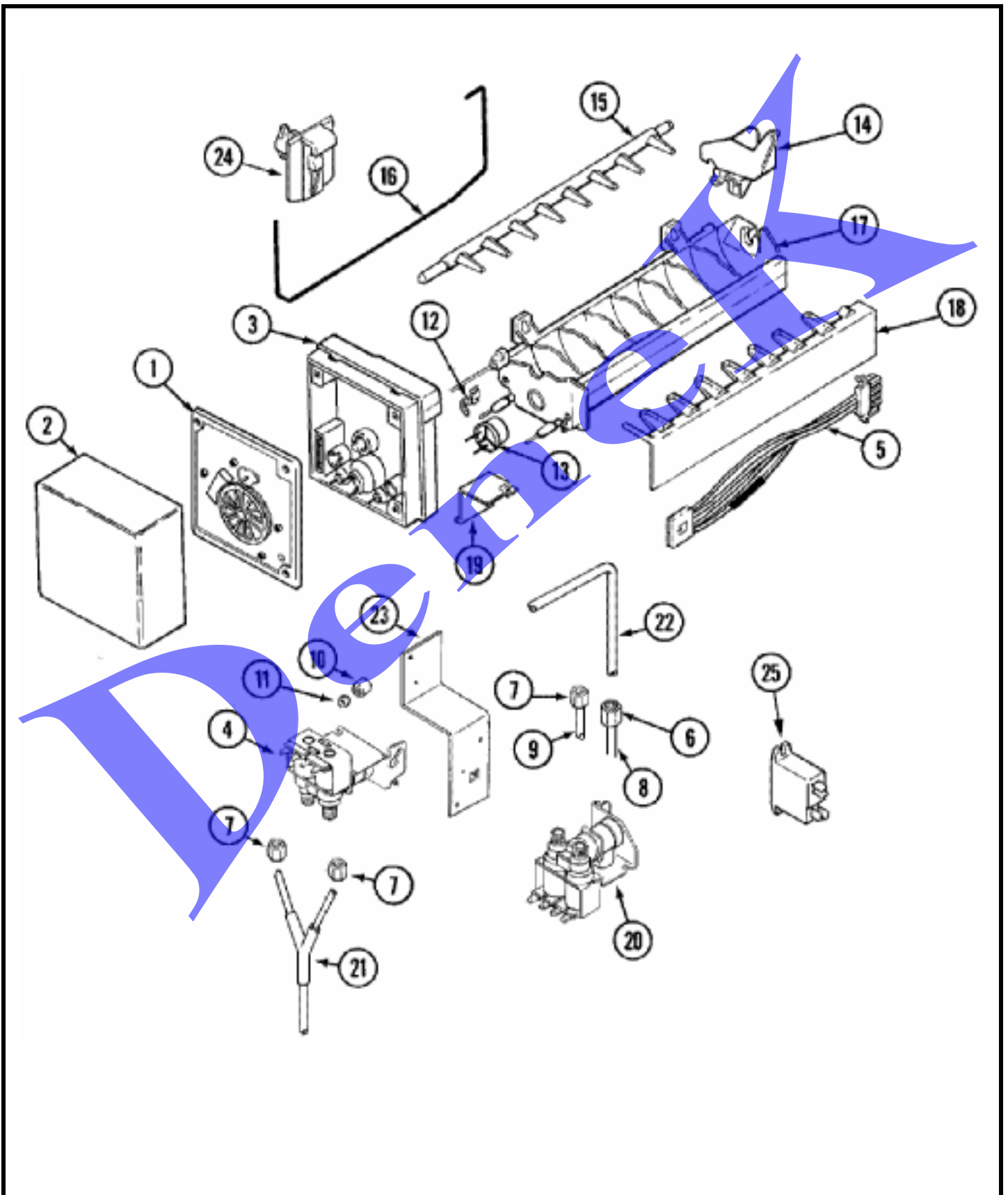
**MAYTAG MSD2757DEW**

**ICE BIN**

1	61004802	BIN, ICE
2	61004803	FRONT, ICE BIN
2	415013-35	SCREW
3	61004300	DOOR, ICE ACCESS
4	61004869	SEAL
4	415013-35	SCREW
4	61004804	HOUSING, CRUSHER
5	69704-1	RING, SNAP
6	69703-1	WASHER, RETAINER
7	61003336	RING, DRIVE
8	61003324	SCREW
8	12001773	ASSY., AUGER MOTOR/YOKE
8	61005007	WIRE HARNESS, AUGER MOTOR
8	61005281	WIRE HARNESS, AUGER MOTOR
9	63052-1	YOKE, ICE DISPENSER
10	61003326	AUGER
11	69699-1	CONE, ICE DEFLECTOR
12	69698-1	WASHER, CONE STOP
13	70036-1	IMPELLER
14	69755-1	PLATE, DRIVE
15	69709-1	NUT, AUGER
16	69697-1	BEARING, SPACER
17	69696-1	SPACER, CRUSHER BLADE
18	69696-2	SPACER, BLADE
19	69701-1	PLATE, IMPELLER
20	61004818	ENCLOSURE, ICE
20	400022-1	SCREW
21	400022-1	SCREW
21	61005080	SUPPORT, ENCLOSURE
22	400026-12	SCREW
22	69715-1	GUIDE, YOKE
23	69702-3	BLADE, CRUSHER
24	69702-2	BLADE, CRUSHER
25	69706-1	BLADE, CRUSHER
26	69702-1	BLADE, CRUSHER
27	69708-1	LOCK, FIXED BLADE
28	69705-1	PIN, BLADE LOCK
29	69718-1	DOOR, ICE CRUSHER
30	61004807	ROD, CRUSHER CONTROL
31	61004808	SPRING, CONTROL ROD
32	61004809	BRACKET, CONTROL ROD
33	61003118	SOLENOID
33	61003324	SCREW
34	61003539	YOKE ASSY.

## MAYTAG MSD2757DEW

## ICE MAKER



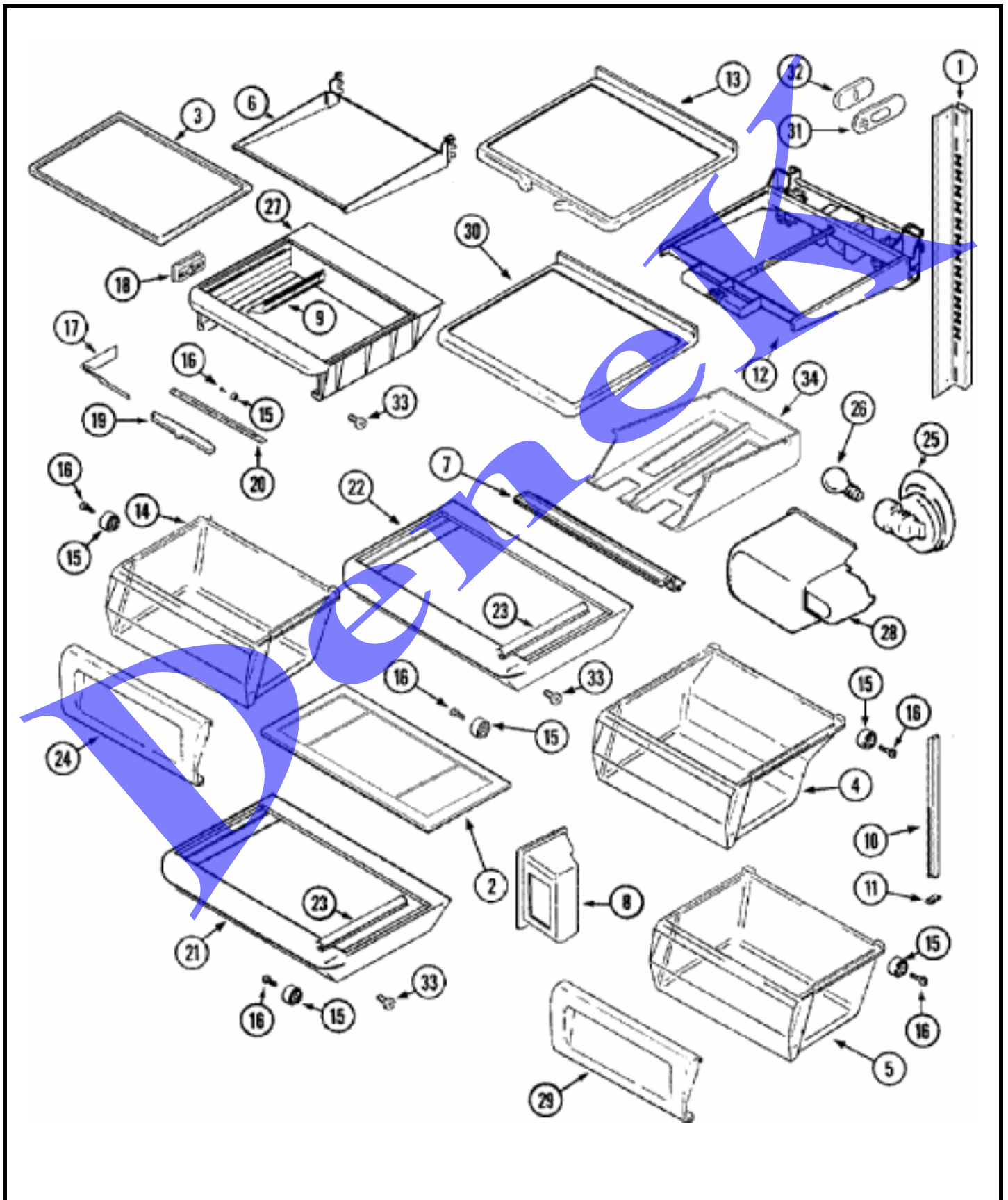
**MAYTAG MSD2757DEW**

**ICE MAKER**

1	400017-1	SCREW
1	95109-1	MODULE, ICE MAKER
2	61004594	COVER, ICE MAKER
3	95106-1	SCREW
3	95103-1	SUPPORT, MODULE HOUSING
4	61001885	SCREW
4	61003783	VALVE, WATER (FILTER)
5	61003912	WIRE HARNESS, ICE MAKER
5	61005278	WIRE HARNESS, ICE MAKER
6	69583-2	NUT, COMPRESSION (5/16")
7	69583-1	NUT, COMPRESSION (1/4")
8	0	SEE NOTE
9	67579-1	TUBE, VALVE
10	69432-1	NUT, BRASS (1/4")
11	69431-1	SLEEVE, BRASS
12	95104-1	RETAINER, THERMOSTAT
13	95092-1	THERMOSTAT
13	95093-1	CEMENT, ALUMILASTIC (4 OZ.)
14	95100-1	INLET, WATER
15	95101-1	EJECTOR, ICE
16	61004136	ARM, SENSOR
17	95098-1	MOLD & HEATER ASSY.
18	95102-1	STRIPPER, ICE
19	95107-1	BRACKET, MODULE & HEATER
19	95108-1	SCREW, BRACKET
20	61001885	SCREW
20	61004823	VALVE, WATER (ICE MAKER)
21	61001161	CLAMP, WATER LINE
21	61004391	GROMMET ASSY., WATER LINE
21	61005058	CLIP, WATER LINE (ADHESIVE)
22	61004392	GROMMET ASSY., WATER LINE
23	61002819	SCREW
23	61003732	BRACKET, WATER VALVE
24	61005028	SUPPORT, ICE MAKER
25	61005057	SCREW
25	61005004	RELAY
25	61005006	WIRE HARNESS, RELAY

## MAYTAG MSD2757DEW

## SHELVES & ACCESSORIES



**MAYTAG MSD2757DEW**

**SHELVES & ACCESSORIES**

1	61003708	RAIL, SHELF SUPPORT
1	61005165	SCREW
2	61005076	COVER, CRISPER SHELF (UPR)
2	61004985	COVER, CRISPER SHELF (LWR)
3	61003928	GLASS, MEAT SHELF
4	61003929	PAN, CRISPER
5	61004568	PAN, CRISPER (LWR)
6	61004229	FRAME, SHELF
6	61003738	FRAME, SLIDE OUT SHELF
7	61005045	SEAL, CRISPER SHELF (REAR)
8	61004287	COVER ASSY., AIR RETURN
9	61003723	COVER, MEAT CONTROL TAPE
10	61003888	STRIP, FILLER (SIDES)
11	400019-1	SCREW
11	61004109	BASE, FILLER STRIP (RT)
11	61004110	BASE, FILLER STRIP (LT)
12	61004480	GLIDE, SHELF
12	61003933	FRAME ASSY., ELEVATOR SHELF
13	61004389	SHELF, ELEVATOR
14	61003934	PAN, MEAT
15	67423-2	ROLLER
16	65275-6	SCREW
17	61003943	TAPE, MEAT CONTROL
18	61003785	DUCT, AIR (MEAT)
18	61003725	RETAINER, DUCT
19	61003674	SLIDE, CONTROL (MEAT)
20	415013-35	SCREW
20	61003784	COVER, MEAT PAN SLIDE
21	61003936	FRAME, CRISPER SHELF
22	61003937	FRAME, CRISPER SHELF
23	61003938	SEAL, CRISPER SIDE
23	61003714	SEAL, CRISPER SIDE (UPR)
24	61004494	FRONT ASSY., MEAT PAN
25	61003379	RECEPTACLE, BULB
26	61001787	BULB, LIGHT
27	61003940	FRAME, MEAT SHELF
28	61003439	SHIELD, LIGHT
29	61003932	SEAL
29	61005077	FRONT ASSY., CRISPER PAN
30	61003942	SHELF, SLIDE-OUT
31	61003945	SLIDE, CONTROL (CHILL COMPT.)
32	61003946	HOUSING, CONTROL SLIDE
33	400017-1	SCREW
33	61005337	SUPPORT, CRISPER SHELF
33	61005338	SCREW
33	67764-1	SUPPORT, CRISPER SHELF