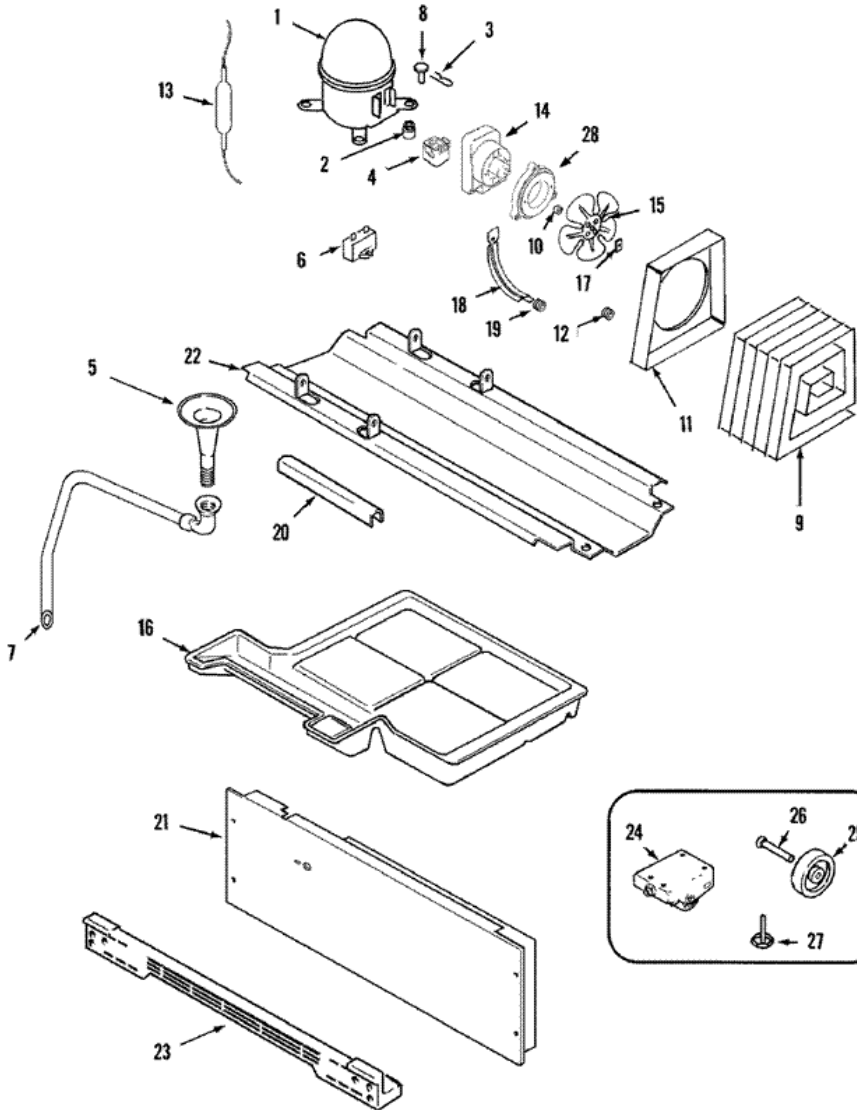


Distribuidor Autorizado

SurteRápido.com

Venta de Refacciones
Electrodomesticas

MSD2758GEW COMPRESSOR





MSD2758GEW COMPRESSOR

1	61005322	WIRE HARNESS, COMPRESSOR (S/P)
1	12002164	KIT, COMPRESSOR (R134A) (S/P)
1	4387779	KIT, COMPRESSOR (R134A) (S/P)
2	61005241	GROMMET, COMPRESSOR (S/P)
2	67003493	GROMMET, COMPRESSOR (S/P)
3	61005561	CLIP, COMPRESSOR (S/P)
4	12002794	RELAY/OVERLOAD ASSY. (S/P)
4	61005620	CLIP, RELAY/OVERLOAD ASSY.-NA (S/P)
4	12002784	RELAY/OVERLOAD ASSY. (S/P)
4	61006187	CLIP, RELAY/OVERLOAD ASSY. (S/P)
5	61004751	TUBE, DRAIN (S/P)
6	400017-1	SCREW (S/P)
6	65889-4	CAPACITOR, RUN (S/P)
7	53516-9	CLAMP (S/P)
7	61003133	HOSE, DRAIN (S/P)
8	61006030	PLUG, COMPRESSOR DESCONTINUADO
9	61004378	SCREW (S/P)
9	61005452	CONDENSER (S/P)
10	61001686	WASHER, FAN BLADE (S/P)
11	61001941	SHROUD, CONDENSER (S/P)
12	61002033	GROMMET, CONDENSER TUBING (S/P)
13	W10143759	DRIER (S/P)
14	61005324	SCREW (S/P)
14	61005323	MOTOR, CONDENSER FAN
15	12587601	BLADE, CONDENSER FAN (S/P)
16	61004095	PAN, DRAIN (S/P)
16	400017-1	SCREW (S/P)
17	486692	CLIP, FAN BLADE (S/P)
18	69181-1	BRACKET, FAN MOTOR (S/P)
19	61004743	GROMMET, BRACKET (S/P)
20	61004584	ISOLATOR, CONDENSER (S/P)
21	65275-50	SCREW (S/P)
21	61004674	COVER, COMPRESSOR COMPARTMENT (S/P)

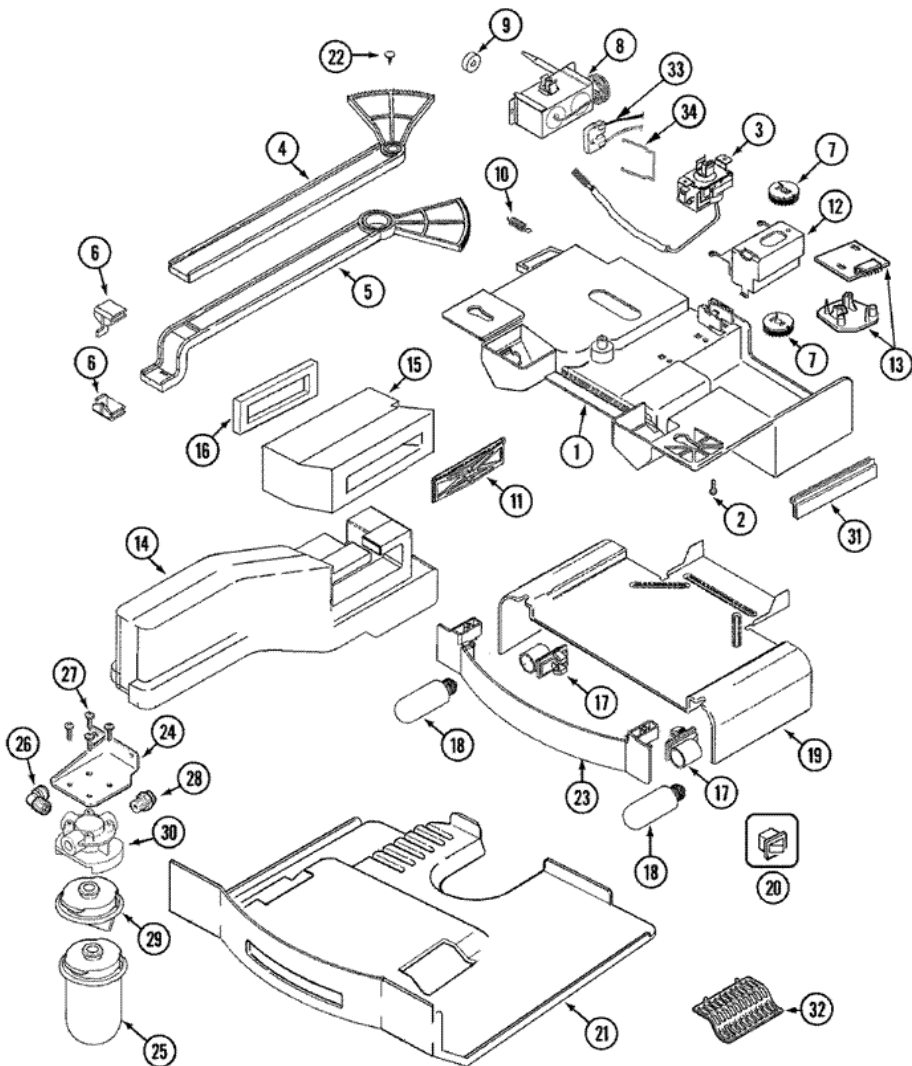
22	61005269	PAN, COMPRESSOR MTG. DESCONTINUADO
22	61002407	SCREW (S/P)
23	61004055	KICKPLATE (WHT) (S/P)
23	400016-1	SCREW (S/P)
24	400017-1	SCREW (S/P)
24	61005232	WHEEL ASSY. (FRT) (S/P)
25	61003826	WHEEL (REAR) (S/P)
26	61002104	PIN, WHEEL (S/P)
27	61002014	LEG, LEVELING (S/P)
28	61005325	ADAPTER, FAN MOTOR (S/P)
28	61005326	SCREW (S/P)
29	12001548	YODER LOOP HTR(115V)27, 29, DESCONTINUADO
30	61005298	MANUAL, USE & CARE DESCONTINUADO
31	16010154	SVC MAN, SXS DESCONTINUADO
32	61005437	VIDEO, USE & CARE DESCONTINUADO

Distribuidor Autorizado

SurteRápido.com

Venta de Refacciones
Electrodomesticas

MSD2758GEW CONTROLS





MSD2758GEW CONTROLS

1	400031-1	SCREW (S/P)
1	61003228	FOIL, HEAT SHIELD (S/P)
1	61005991	HOUSING ASSY., AUTO DAMPER (S/P)
2	61004314	SCREW (No.8 AB) (S/P)
3	400016-1	SCREW (S/P)
3	61005438	CONTROL ASSY., TEMPERATURE (S/P)
4	61003287	ROD, DAMPER CONTROL DESCONTINUADO
5	61003293	ROD, TEMP. CONTROL (S/P)
6	61004591	END CAP, CONTROL ROD (S/P)
7	61003305	GEAR, CONTROL SLIDE (S/P)
8	61003359	SCREW DESCONTINUADO
8	61005991	DAMPER, AUTO (S/P)
9	61003358	WASHER, DAMPER ROD (S/P)
10	61003141	SPRING, DAMPER DOOR (S/P)
11	61003235	DOOR, DAMPER (S/P)
12	61003315	SUPPORT, TEMP. CONTROL (S/P)
13	61005951	SCREW (S/P)
13	405007-1	SCREW (S/P)
13	61005988	DEFROST KIT, ENHANCED ADAPTIVE
14	61005972	INSULATION, DISCHARGE (RT) (S/P)
14	61003229	INSULATION, DISCHARGE (LT) (S/P)
15	61006038	TUNNEL, CONTROL HOUSING (S/P)
15	67002286	SEAL, TUNNEL (DOUBLE-SIDED) (S/P)
15	61005563	TUNNEL, CONTROL HOUSING (S/P)
16	61003819	SEAL, TUNNEL (S/P)
17	61005973	RECEPTACLE, BULB
18	61005975	FOIL (LT) (S/P)
18	61003354	BARRIER, FOIL (LT) (S/P)
18	61005974	BARRIER, FOIL (RT) DESCONTINUADO
18	61003236	BULB, LIGHT
19	61003238	SHIELD, HEAT (S/P)
19	61005976	SHIELD, HEAT DESCONTINUADO
20	61003661	SWITCH, LIGHT (S/P)

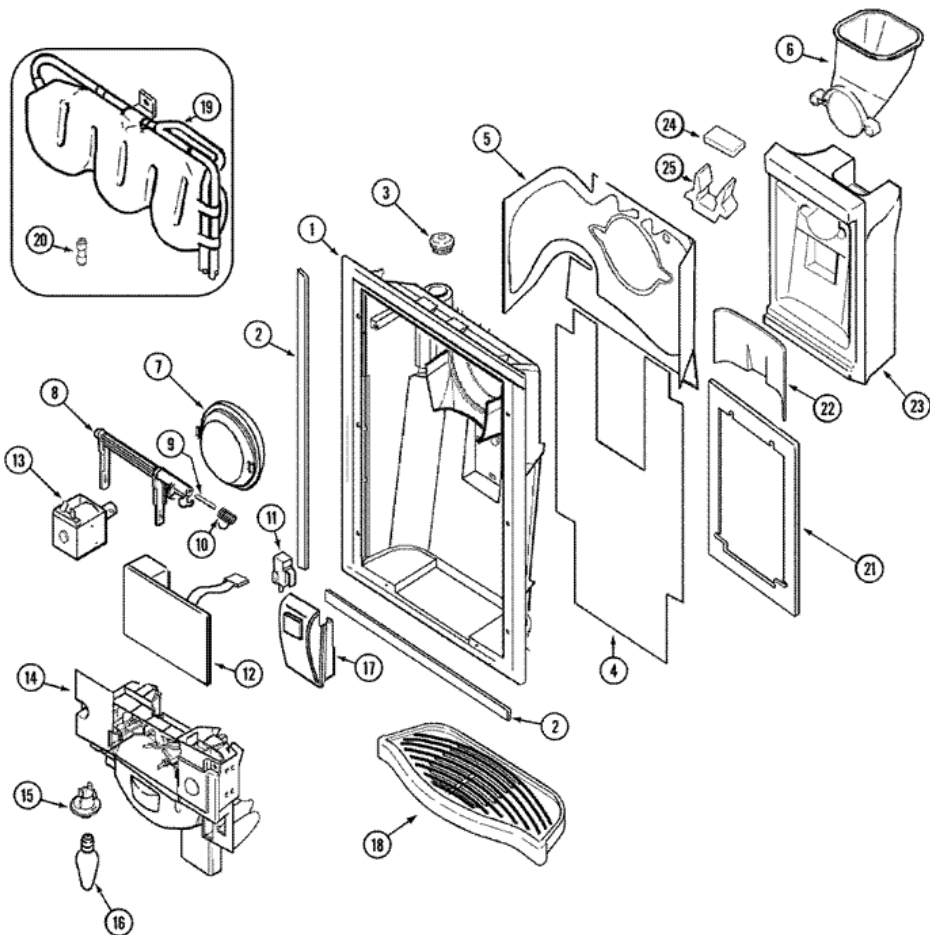
20	61006166	SWITCH, LIGHT (S/P)
21	61003924	SHIELD, LIGHT (S/P)
22	61003316	RETAINER, CONTROL ROD (S/P)
23	61004380	PANEL, CONTROL (S/P)
24	61003698	BRACKET, WATER FILTER (S/P)
25	UKF7003AXX	FILTER, WATER
26	67001351	FITTING ASSY., WATER FILTER (S/P)
27	61003796	SCREW (S/P)
28	61003790	FITTING, WATER FILTER (S/P)
29	61003791	PLUG, FILTER BYPASS (S/P)
30	61003789	HEAD, WATER FILTER (S/P)
31	61003891	TRIM, CONTROL HOUSING DESCONTINUADO
32	61004590	GRILL, LIGHT (S/P)
33	61004972	HEATER (S/P)
34	61004973	CLIP, HEATER (S/P)
35	61004971	WIRE HARNESS, CONTROLS (S/P)
35	61006211	WIRE HARNESS, CONTROLS (S/P)
36	61005461	WIRE HARNESS, FRZ./F.F. (S/P)

Distribuidor Autorizado

SurteRápido.com

Venta de Refacciones
Electrodomesticas

MSD2758GEW FOUNTAIN





MSD2758GEW FOUNTAIN

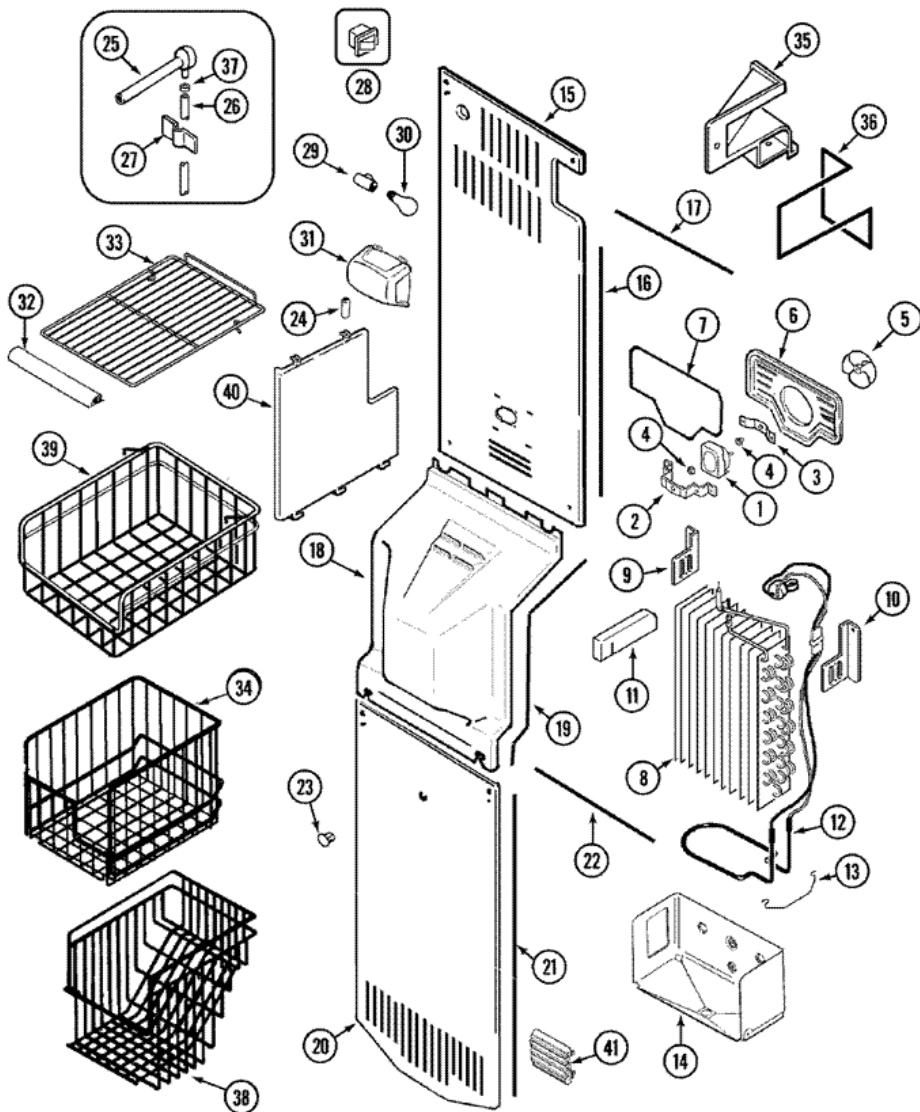
1	415013-35	SCREW (S/P)
1	61004675	HOUSING, FOUNTAIN (WHT) (S/P)
1	61003307	SCREW (S/P)
2	61003286	TAPE (1FT.) (S/P)
3	61003300	GROMMET, WATER TUBE (S/P)
4	61003304	FOIL, FTN. BACK (S/P)
5	61005001	HEATER, FOUNTAIN (S/P)
6	415013-35	SCREW (S/P)
6	61004677	CHUTE, ICE (S/P)
7	12001991	KIT, FOUNTAIN ICE DOOR (115V)
9	12001991	PIN, ROLL
10	61004388	SPRING, FTN. RETURN
11	61005520	SWITCH, LIMIT (S/P)
11	415041-35	SCREW (S/P)
12	61005372	BARRIER (S/P)
12	61005274	BOARD, CONTROL
13	61003297	SCREW (S/P)
14	61003407	BRACKET, FOUNTAIN (WHT)
14	415013-35	SCREW (S/P)
15	70119-1	RECEPTACLE, BULB (S/P)
16	67001316	BULB, LIGHT (S/P)
17	61004441	PAD, ACTUATOR (LT. GRY)
18	61005458	GRILL (WHT) (S/P)
19	400022-1	SCREW (S/P)
19	61003689	TANK ASSY., WATER (S/P)
20	2300868	UNION, REDUCING (5/16``-5/16``) (S/P)
21	61003339	INSULATION (S/P)
22	61003340	INSULATION (S/P)
23	61004724	INSULATION, FTN. (STYROFOAM) DESCONTINUADO
24	61003343	INSULATION (S/P)
25	61003308	INSULATION (S/P)
26	61005275	WIRE HARNESS, FTN. (S/P)

Distribuidor Autorizado

SurteRápido.com

Venta de Refacciones
Electrodomesticas

MSD2758GEW FREEZER COMPARTMENT



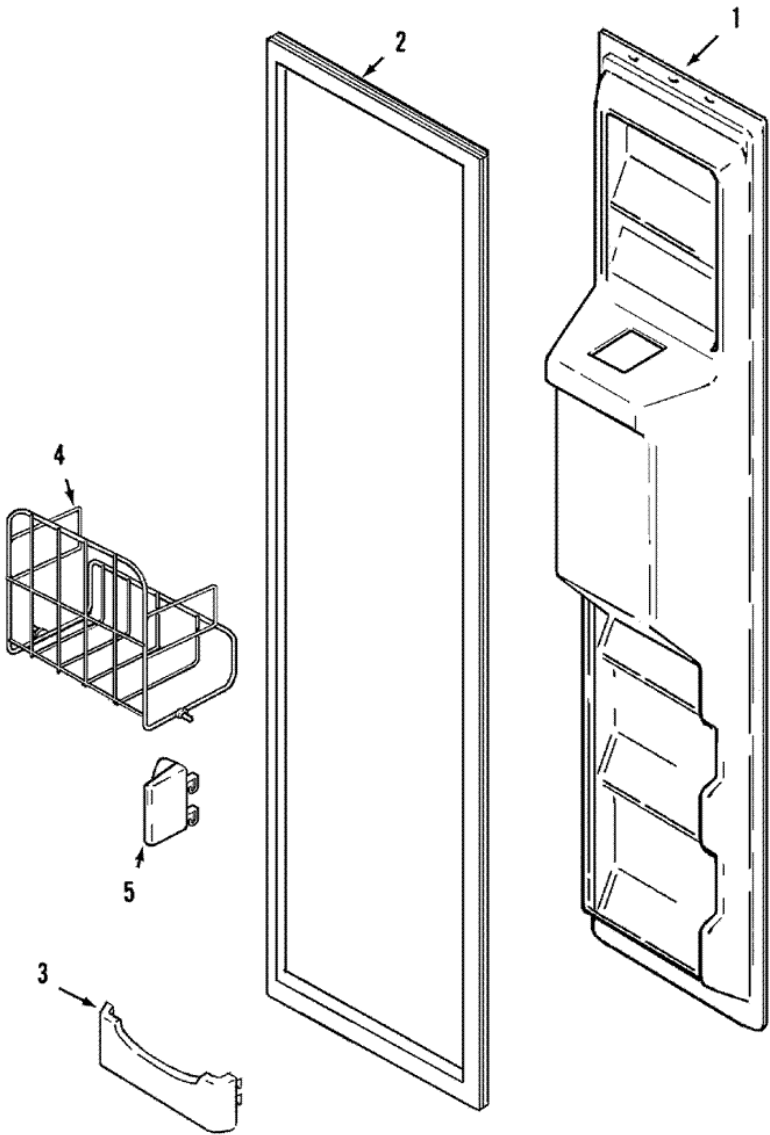


MSD2758GEW FREEZER COMPARTMENT

1	61005339	MOTOR, EVAPORATOR FAN (S/P)
2	61001930	BRACKET, EVAPORATOR FAN (S/P)
2	61005240	SCREW (S/P)
3	61005240	SCREW (S/P)
3	61005340	RETAINER, EVAPORATOR FAN (S/P)
4	61002235	BUSHING, EVAPORATOR FAN (S/P)
5	61004522	BLADE, EVAPORATOR FAN (S/P)
6	61003898	SHROUD, FAN (S/P)
7	61003828	SEAL, FAN SHROUD (S/P)
8	12001641	EVAP/HEAT EXCH, ASSY27, 29, CDSXS
9	61003215	BRACKET, EVAPORATOR (LT) (S/P)
10	61003216	BRACKET, EVAPORATOR (RT) (S/P)
11	61003213	BLOCK, AIR (S/P)
12	61006199	HEATER & THERM. ASSY., DEFROST
13	67005457	CLIP, DEFROST HEATER (S/P)
14	61003830	HOUSING, EVAPORATOR DESCONTINUADO
15	61004028	COVER, COIL (UPR) DESCONTINUADO
15	61004424	SCREW (S/P)
15	61005864	COVER, COIL (UPR) DESCONTINUADO
16	61003832	SEAL, UPPER COVER (LT) (S/P)
17	61003834	SEAL, UPPER COVER (TOP) DESCONTINUADO
18	61003835	COVER, EVAPORATOR FAN (S/P)
19	61003209	SEAL (S/P)
20	61003836	COVER, COIL (LWR) (S/P)
20	61004424	SCREW (S/P)
21	61003832	SEAL (S/P)
22	61003837	SEAL, LOWER COVER DESCONTINUADO
23	61001952	PLUG BUTTON, EVAP. COVER (S/P)
24	68823-1	SPACER, DIVIDER (S/P)
24	400031-1	SCREW (S/P)
25	67877-1	CLIP, FILL TUBE (S/P)
25	61005743	GROMMET, FILL TUBE (S/P)
25	61005743	GROMMET, FILL TUBE (S/P)

26	67579-1	TUBE, VALVE (S/P)
27	61004913	CLIP, WATER LINE (ADHESIVE) (S/P)
28	12002646	SWITCH, LIGHT (S/P)
28	61006167	SWITCH, LIGHT (S/P)
29	68974-3	RECEPTACLE, BULB (S/P)
29	12679501	RECEPTACLE, BULB (S/P)
30	31956-1	BULB, LIGHT (S/P)
31	61002272	SHIELD, LIGHT (S/P)
32	61003950	TRIM, SHELF (FRT) DESCONTINUADO
33	61005546	SHELF, FRZ. DESCONTINUADO
34	61004116	BASKET, PIZZA DESCONTINUADO
35	61003205	DIVERTER, AIR (S/P)
36	61003206	SEAL, AIR DIVERTER (S/P)
37	61001161	CLAMP, WATER LINE (S/P)
38	67006235	BASKET, FRZ. (S/P)
39	61003954	BASKET, FRZ. (HALF) DESCONTINUADO
40	61006121	DIVIDER, DISPENSER ENCLOSURE DESCONTINUADO
41	61004989	COVER, AIR INLET DESCONTINUADO
42	12001952	KIT, ICE MAKER AIR TUNNEL (S/P)
42	61005812	TUNNEL, AIR (S/P)
43	61003731	WIRE HARNESS, FRZ. (S/P)
43	61005351	WIRE HARNESS, FAN & HEATER (S/P)

MSD2758GEW FREEZER INNER DOOR





MSD2758GEW FREEZER INNER DOOR

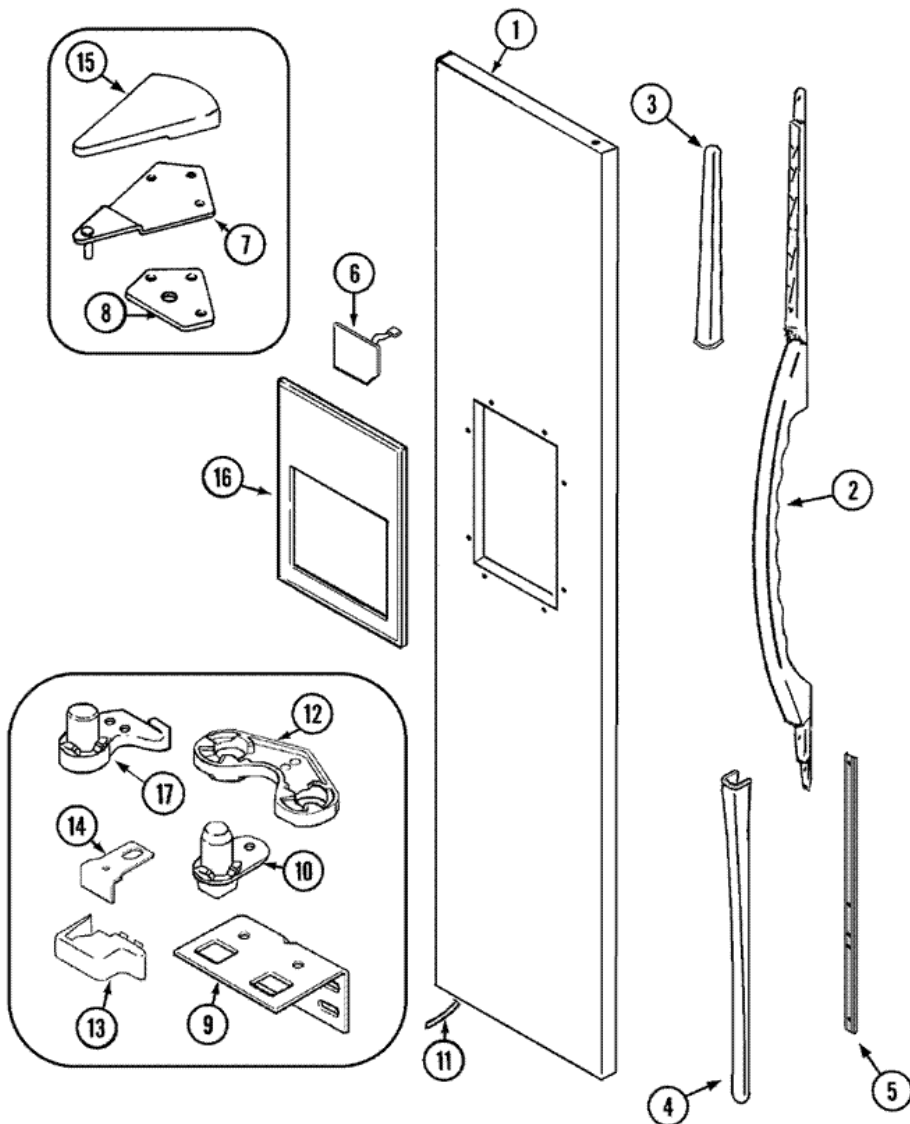
1	61003854	LINER, FRZ. DOOR DESCONTINUADO
1	61005388	SCREW (S/P)
1	61004741	INSERT, LINER SUPPORT (SIDE) DESCONTINUADO
1	61003917	INSERT, LINER SUPPORT(TOP/BTM) (S/P)
2	61005946	SEAL, FRZ. DOOR (WHT) (S/P)
3	61004352	FRONT, PICK-OFF DESCONTINUADO
4	61003988	BASKET, TILTDOWN (S/P)
5	61003753	STOP, BASKET (LT) (S/P)
5	61003754	STOP, BASKET (RT) (S/P)

Distribuidor Autorizado

SurteRápido.com

Venta de Refacciones
Electrodomesticas

MSD2758GEW FREEZER OUTER DOOR

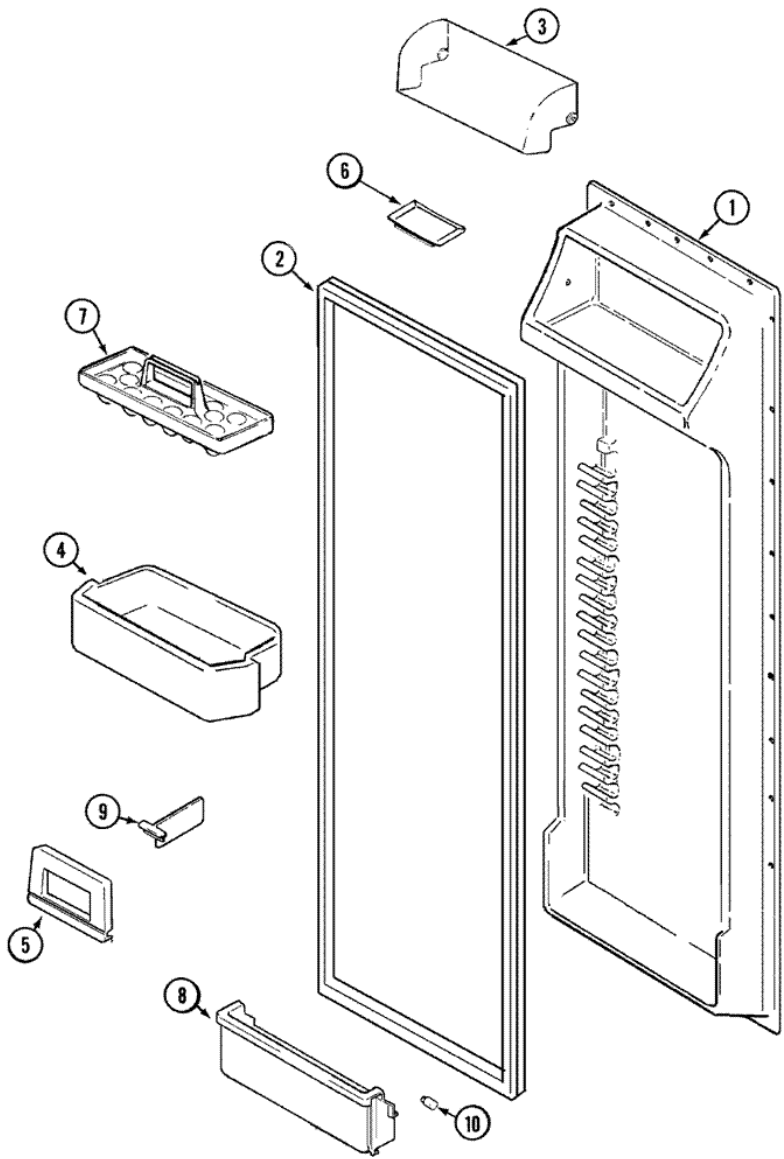




MSD2758GEW FREEZER OUTER DOOR

1	61005771	PANEL, FRZ. DOOR (WHT) (S/P)
2	61005609	HANDLE, DOOR (WHT) (S/P)
2	61005394	SCREW (S/P)
2	61005482	SCREW (S/P)
3	61005445	EXTENSION, HANDLE (UPR-WHT) (S/P)
4	61005448	EXTENSION, HANDLE (LWR-WHT) (S/P)
5	61005394	SCREW (S/P)
5	61005608	CLEAT, HANDLE EXTENSION (S/P)
6	61003422	SCREW (S/P)
6	61005277	BOARD, FTN. SWITCH
7	61004896	HINGE, UPPER (S/P)
7	61004763	SCREW (S/P)
8	61001922	SHIM, UPPER HINGE (S/P)
9	61003128	SCREW (S/P)
9	61001918	HINGE, LOWER (WHT) (S/P)
10	61003174	PIN, LOWER HINGE (S/P)
11	2300868	UNION, REDUCING (5/16" - 5/16") (S/P)
11	61004569	TUBING, FOUNTAIN (S/P)
12	61003647	CLOSER, DOOR (NATURAL)
12	61002180	SCREW (S/P)
13	61003219	COVER, LOWER HINGE (WHT) (S/P)
14	61003273	STOP, DOOR (S/P)
14	61002180	SCREW (S/P)
15	61004642	COVER, UPPER HINGE (WHT) (S/P)
15	61004641	SCREW, COVER (S/P)
16	61005498	ESCUTCHEON (WHT) (S/P)
16	415013-35	SCREW (S/P)
17	61005726	CLOSER, DOOR (W/CUP) (S/P)
17	61002180	SCREW (S/P)

**MSD2758GEW FRESH FOOD INNER
DOOR**

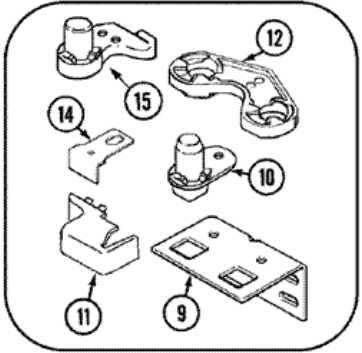
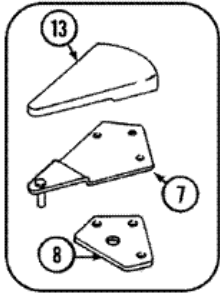
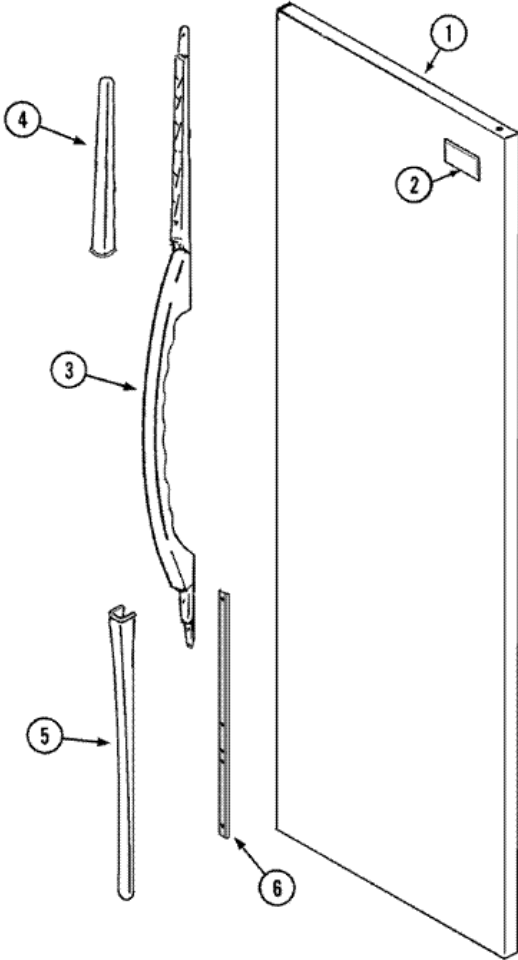




MSD2758GEW FRESH FOOD INNER DOOR

1	61005388	SCREW (S/P)
1	12002002	LINER, F.F. DOOR (S/P)
1	61003980	INSERT, LINER SUPPORT DESCONTINUADO
1	12002002	KIT, F.F. DOOR LINER (S/P)
1	61003979	INSERT, LINER SUPPORT (SIDES) DESCONTINUADO
2	61005943	SEAL, F.F. DOOR (WHT)
3	61003995	DOOR, DAIRY (S/P)
4	61005209	SHELF, PICK-OFF DESCONTINUADO
5	61002273	RETAINER, BOTTLE (S/P)
6	29936-2	TRAY, BUTTER (S/P)
7	67004411	TRAY, EGG (S/P)
8	61004094	BUCKET, TIP-OUT (S/P)
9	61002274	ORGANIZER, SHELF (S/P)
10	61005929	STOP, BUCKET (S/P)
10	61002719	STOP, BUCKET (S/P)

**MSD2758GEW FRESH FOOD OUTER
 DOOR**





MSD2758GEW FRESH FOOD OUTER DOOR

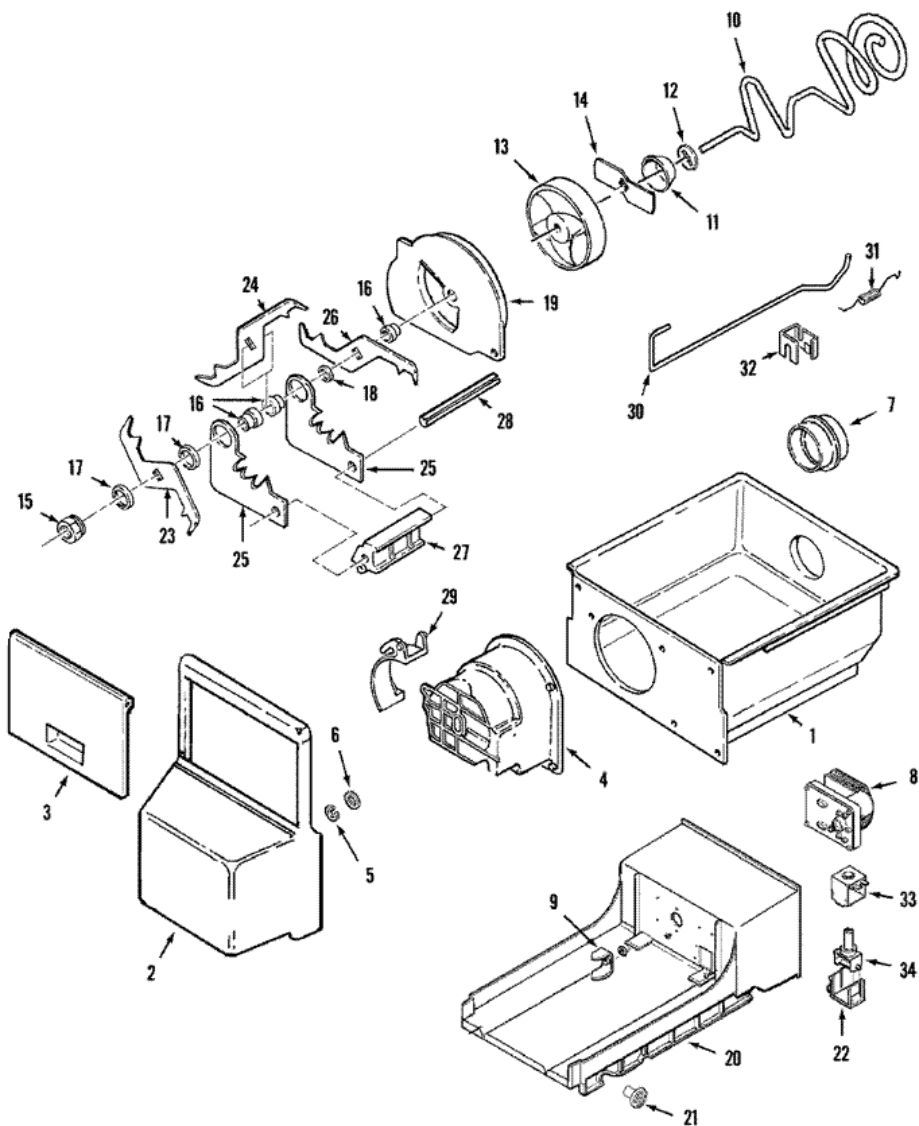
1	61005799	PANEL, F.F. DOOR (WHT) (S/P)
1	61005684	LABEL, DUAL ENERGY GUIDE DESCONTINUADO
2	61003616	NAMEPLATE (WHT) (S/P)
3	61005394	SCREW (S/P)
3	61005482	SCREW (S/P)
3	61005609	HANDLE, DOOR (WHT) (S/P)
4	61005445	EXTENSION, HANDLE (UPR-WHT) (S/P)
5	61005448	EXTENSION, HANDLE (LWR-WHT) (S/P)
6	61005394	SCREW (S/P)
6	61005608	CLEAT, HANDLE EXTENSION (S/P)
7	61004896	HINGE, UPPER (S/P)
7	61004763	SCREW (S/P)
8	61001922	SHIM, UPPER HINGE (S/P)
9	61001918	HINGE, LOWER (WHT) (S/P)
9	61003128	SCREW (S/P)
10	61003174	PIN, LOWER HINGE
11	61003220	COVER, LOWER HINGE (WHT) (S/P)
12	61003647	CLOSER, DOOR (NATURAL)
12	61002180	SCREW (S/P)
13	61004640	COVER, UPPER HINGE (WHT) (S/P)
14	61003273	STOP, DOOR (S/P)
14	61002180	SCREW (S/P)
15	61002180	SCREW (S/P)
15	61005724	CLOSER, DOOR (W/CUP)

Distribuidor Autorizado

SurteRápido.com

Venta de Refacciones
Electrodomesticas

MSD2758GEW ICE BIN





MSD2758GEW ICE BIN

1	61004802	BIN, ICE (S/P)
2	415013-35	SCREW (S/P)
2	61004803	FRONT, ICE BIN (S/P)
3	61004300	DOOR, ICE ACCESS (S/P)
4	61004804	HOUSING, CRUSHER (S/P)
4	415013-35	SCREW (S/P)
4	61004869	SEAL (S/P)
5	69704-1	RING, SNAP (S/P)
6	489234	WASHER, RETAINER (S/P)
7	61003336	RING, DRIVE (S/P)
8	61003324	SCREW (S/P)
8	12001773	ASSY., AUGER MOTOR/YOKE (S/P)
8	61005281	WIRE HARNESS, AUGER MOTOR (S/P)
9	63052-2	YOKE, ICE DISPENSER
10	61003326	AUGER DESCONTINUADO
11	69699-1	CONE, ICE DEFLECTOR (S/P)
12	69698-1	WASHER, CONE STOP (S/P)
13	70036-1	IMPELLER (S/P)
14	69755-1	PLATE, DRIVE (S/P)
15	69709-1	NUT, AUGER (S/P)
16	69697-1	BEARING, SPACER (S/P)
17	69696-1	SPACER, CRUSHER BLADE (S/P)
18	69696-2	SPACER, BLADE (S/P)
19	69701-1	PLATE, IMPELLER (S/P)
20	61005625	ENCLOSURE, ICE (S/P)
20	400022-1	SCREW (S/P)
21	61005080	SUPPORT, ENCLOSURE (S/P)
21	400022-1	SCREW (S/P)
22	400026-12	SCREW (S/P)
22	69715-1	GUIDE, YOKE (S/P)
23	69702-3	BLADE, CRUSHER (S/P)
24	69702-2	BLADE, CRUSHER (S/P)
25	69706-1	BLADE, CRUSHER (S/P)

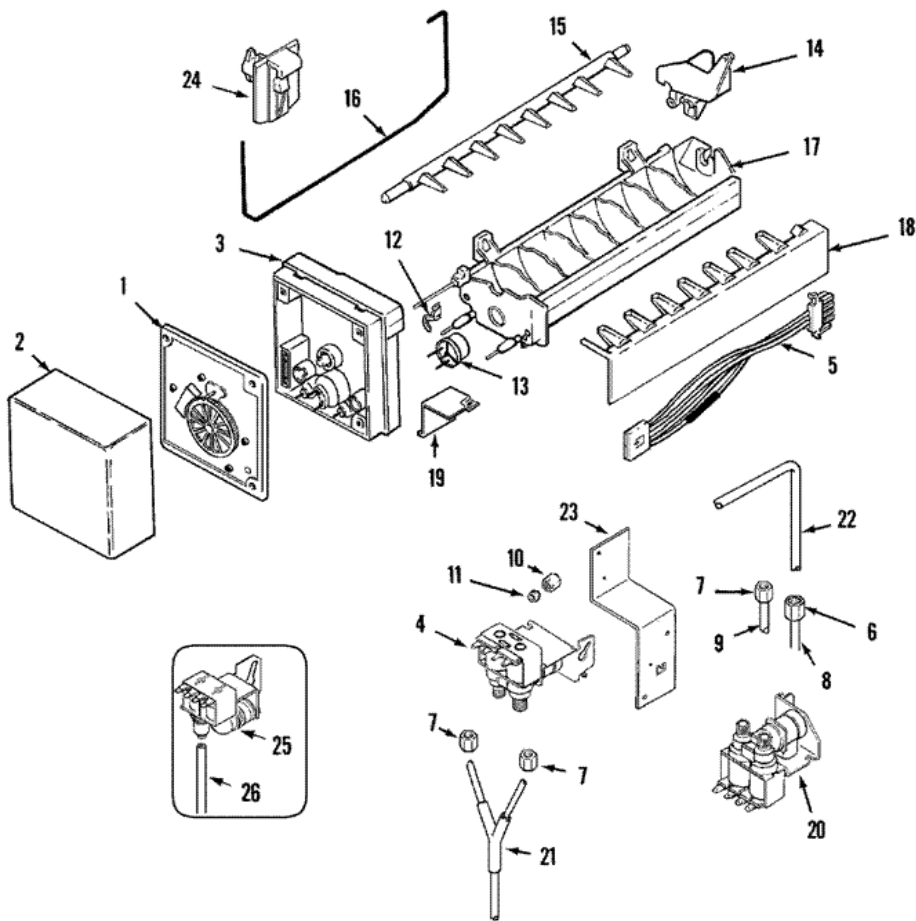
26	69702-1	BLADE, CRUSHER (S/P)
27	69708-1	LOCK, FIXED BLADE (S/P)
28	69705-1	PIN, BLADE LOCK (S/P)
29	69718-1	DOOR, ICE CRUSHER (S/P)
30	61004807	ROD, CRUSHER CONTROL (S/P)
31	61004808	SPRING, CONTROL ROD (S/P)
32	61004809	BRACKET, CONTROL ROD (S/P)
33	61005253	SOLENOID (S/P)
33	61003324	SCREW (S/P)
34	61003539	YOKE ASSY. (S/P)

Distribuidor Autorizado

SurteRápido.com

Venta de Refacciones
Electrodomesticas

MSD2758GEW ICE MAKER





MSD2758GEW ICE MAKER

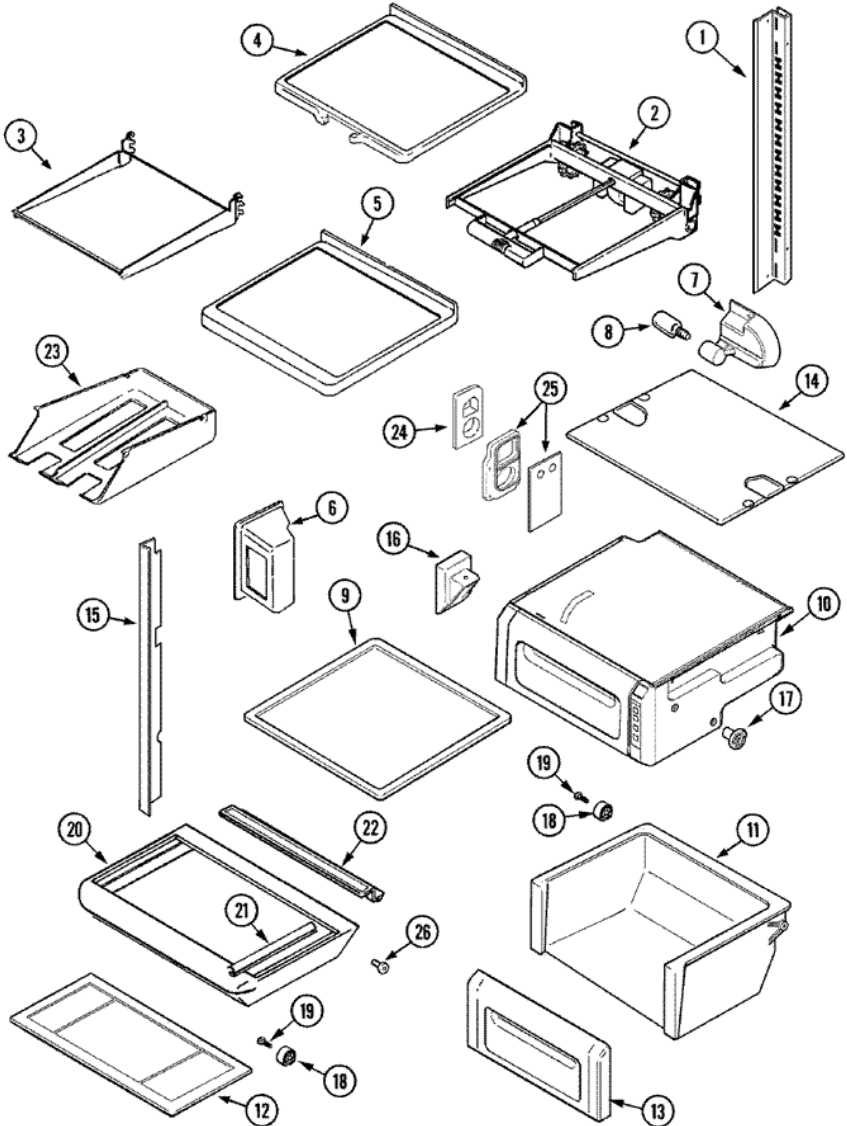
1	400017-1	SCREW (S/P)
1	D7824706Q	MODULE, ICE MAKER (S/P)
2	61005374	COVER, ICE MAKER (S/P)
3	2195914	SUPPORT, MODULE HOUSING (S/P)
3	95106-1	SCREW (S/P)
4	12001892	VALVE, WATER (FILTER)
4	61001885	SCREW (S/P)
5	61005278	WIRE HARNESS, ICE MAKER (S/P)
6	8201513	NUT, COMPRESSION (5/16``) (S/P)
7	627018	NUT, COMPRESSION (1/4``) (S/P)
9	B5705307	TUBE, VALVE (S/P)
10	245183	NUT, BRASS (1/4``) (S/P)
11	487627	SLEEVE, BRASS (S/P)
12	95104-1	RETAINER, THERMOSTAT (S/P)
13	627985	THERMOSTAT
13	95093-1	CEMENT, ALUMILASTIC (4 OZ.) (S/P)
14	628356	INLET, WATER (S/P)
15	627843	EJECTOR, ICE (S/P)
16	61004136	ARM, SENSOR DESCONTINUADO
17	D7824706Q	MOLD & HEATER ASSY. (S/P)
18	2182124	STRIPPER, ICE (S/P)
19	2256087	BRACKET, MODULE & HEATER (S/P)
19	95108-1	SCREW, BRACKET (S/P)
20	61005626	VALVE, WATER (ICE MAKER)
20	61001885	SCREW (S/P)
21	61001161	CLAMP, WATER LINE (S/P)
21	61004391	GROMMET ASSY., WATER LINE (S/P)
21	61005058	CLIP, WATER LINE (ADHESIVE) DESCONTINUADO
22	61005640	GROMMET ASSY., WATER LINE (S/P)
23	61003732	BRACKET, WATER VALVE (S/P)
24	61005028	SUPPORT, ICE MAKER (S/P)
25	61005627	VALVE, WATER (FILTER) (S/P)
26	61005984	GROMMET ASSY., WATER LINE DESCONTINUADO

Distribuidor Autorizado

SurteRápido.com

Venta de Refacciones
Electrodomesticas

MSD2758GEW SHELVES





MSD2758GEW SHELVES

1	61005165	SCREW (S/P)
1	61005630	RAIL, SHELF SUPPORT (S/P)
2	61004480	GLIDE, SHELF (S/P)
2	61005439	FRAME ASSY., ELEVATOR SHELF DESCONTINUADO
3	61005897	FRAME, SHELF DESCONTINUADO
3	61003738	FRAME, SLIDE OUT SHELF DESCONTINUADO
4	61004389	SHELF, ELEVATOR DESCONTINUADO
5	61003942	SHELF, SLIDE-OUT (S/P)
6	61006081	COVER ASSY., AIR RETURN
7	61004974	RECEPTACLE, BULB (S/P)
8	61003236	BULB, LIGHT
9	61004975	SHELF, SPILLPROOF DESCONTINUADO
10	12001869	CRISPER ASSY. (MID-3 BUTTON) DESCONTINUADO
10	12001845	CRISPER ASSY. (UPR-4 BUTTON) DESCONTINUADO
11	61005622	PAN ASSY., CRISPER (LWR) (S/P)
12	61004985	COVER, CRISPER SHELF (LWR) DESCONTINUADO
13	61003932	SEAL (S/P)
13	61004987	FRONT ASSY., CRISPER PAN DESCONTINUADO
14	61005425	INSULATION, PAD (S/P)
15	61004980	TRIM, CRISPER ASSY. DESCONTINUADO
16	61005440	SUPPORT, CRISPER (S/P)
16	61005441	SCREW (S/P)
17	400022-1	SCREW (S/P)
17	61005080	SUPPORT, ENCLOSURE (S/P)
18	61002307	ROLLER (S/P)
18	67423-2	ROLLER (S/P)
19	65275-6	SCREW (S/P)
19	61005462	SCREW (S/P)
20	12002190	FRAME, CRISPER SHELF (LWR) (S/P)
21	61003938	SEAL, CRISPER SIDE (S/P)
22	61005045	SEAL, CRISPER SHELF (REAR) DESCONTINUADO
23	61002406	RACK, CAN (S/P)
24	61005249	SPACER, AIR RETURN DESCONTINUADO

25	12001848	DAMPER ASSY., EXHAUST (S/P)
26	400017-1	SCREW (S/P)
26	67764-1	SUPPORT, CRISPER SHELF (S/P)
26	61005337	SUPPORT, CRISPER SHELF (S/P)
26	61005338	SCREW (S/P)