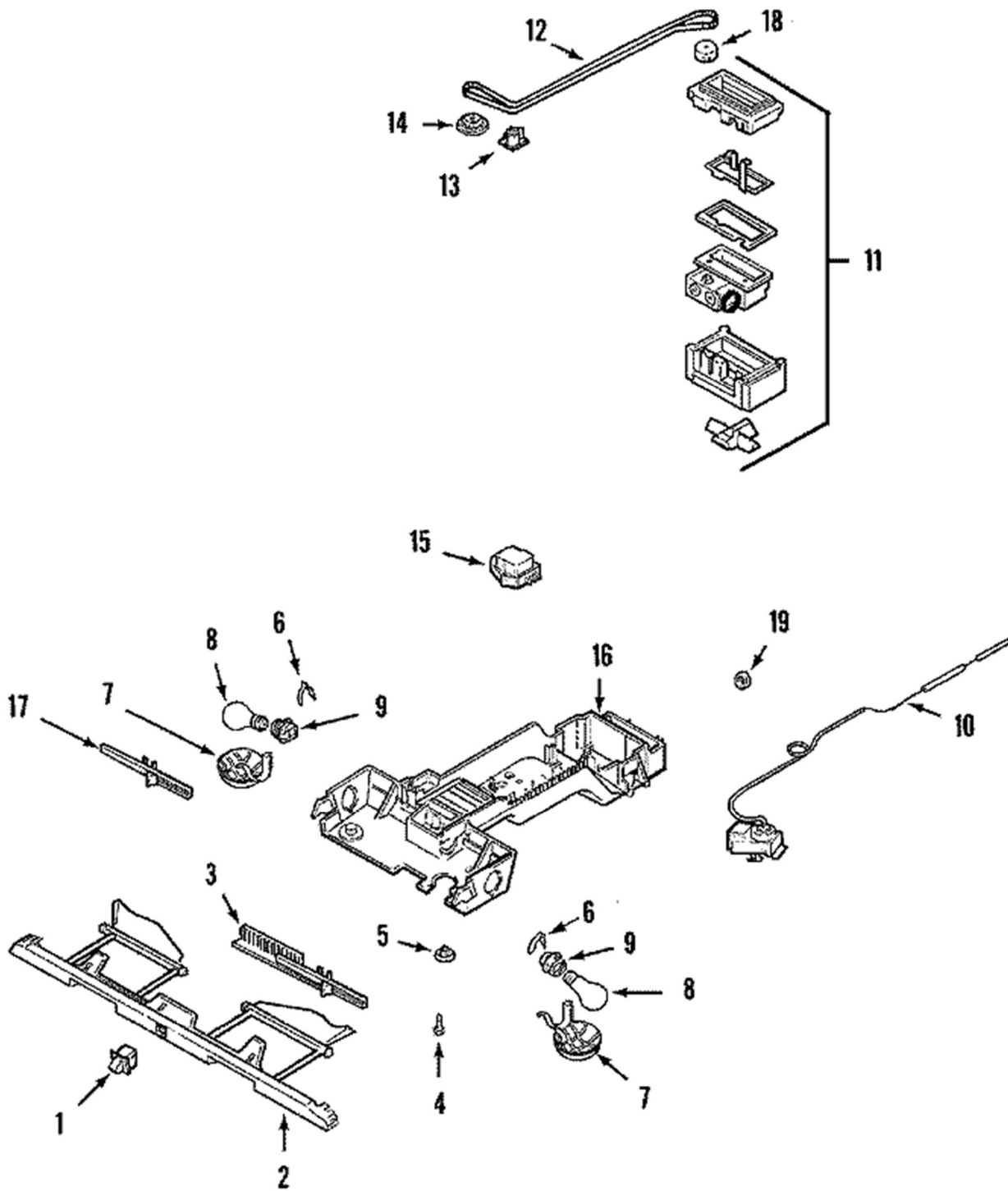
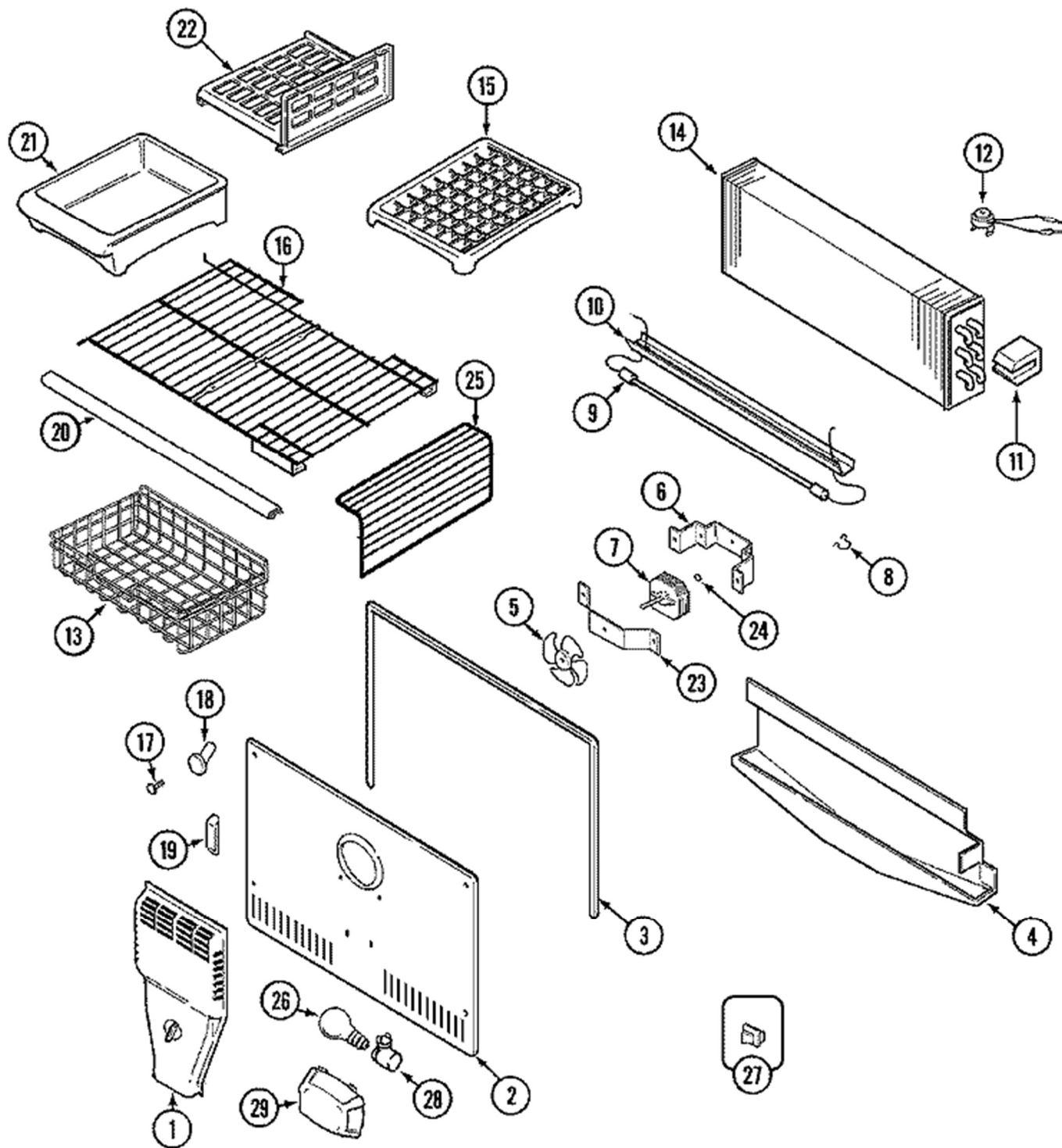


No. Guía	Descripción	Código
1	HARNS-WIRE	61002223
2	GROMMET- C	17245-4
2	Grommet (Service)	WP4387558
3	PIN-HITCH	2163787
4	Refrigerator Compressor Start Relay	WP10097202
5	OVERLOAD	61002037
6	Screw	WP489478
6	Run Capacitor	WP65889-4
7	Terminal Cover	WP61002138
8	USE WPL 61006030	52656-2
9	Screw	WP489399
9	CONDENSER	61005427
10	Washer	WPM0274039
11	SHROUD- CO	61001941
12	GROMMET- C	61002033
13	Drier (Service)	WPW10143759
14	Condenser Fan Motor Kit	833697
15	Fan Blade	W10156818
16	Screw	WP489478
17	Speed Nut	WP486692
18	BRACKET- F	69181-1
19	Bracket Grommet	WP61004743
20	TUBE- DRAI	WP61006123
21	Unit Compartment Cover with Insulation	12001345
22	PAN- COMPR	61002519
23	Kickplate Grille	61002536
24	Clip	61001975
25	WHEEL Assembly. (Front)	61002066
25	Screw	W11233072
26	Rear Roller Wheel	WP61003826
27	Wheel Pin	WP61002104
28	Leveling Leg	74001311
29	MANUAL, USE & CARE	61004711
30	DISCONTINUED	16008248

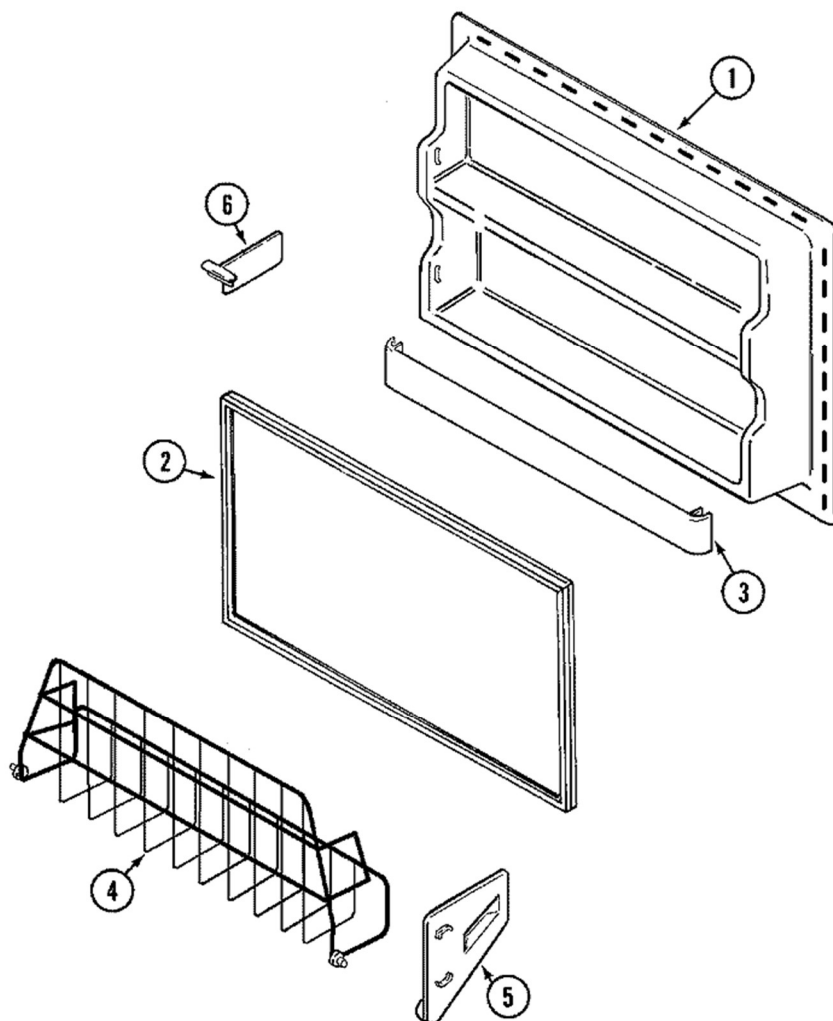


No. Guía	Descripción	Código
1	Refrigerator Door Switch	W11384469
2	PANEL, CONTROL	61002568
3	SLIDE, CONTROL (FRZ.)	61002295
4	SCREW	4360320
5	GEAR- CONT	61002288
6	CLIP- RECE	61002117
7	Light Guard	WP61002286
8	Light Bulb	W10887190
9	Light Socket	WPW10119935
10	Temperature Control	WP61002043
10	SCREW	65275-81
11	DAMPER INS	61002092
12	BELT- DAMP	61002290
13	TENSIONER	61002289
14	GEAR- DAMP	61002291
15	Defrost Timer - 120V 60Hz	WP68233-3
16	SHIELD, HEAT (RT)	61002297
17	SLIDE, CONTROL (F.F.)	61002294
18	GEAR- DAMP	61002292
19	SEAL- DRAI	61001977
20	HARNS-WIRE	61002316



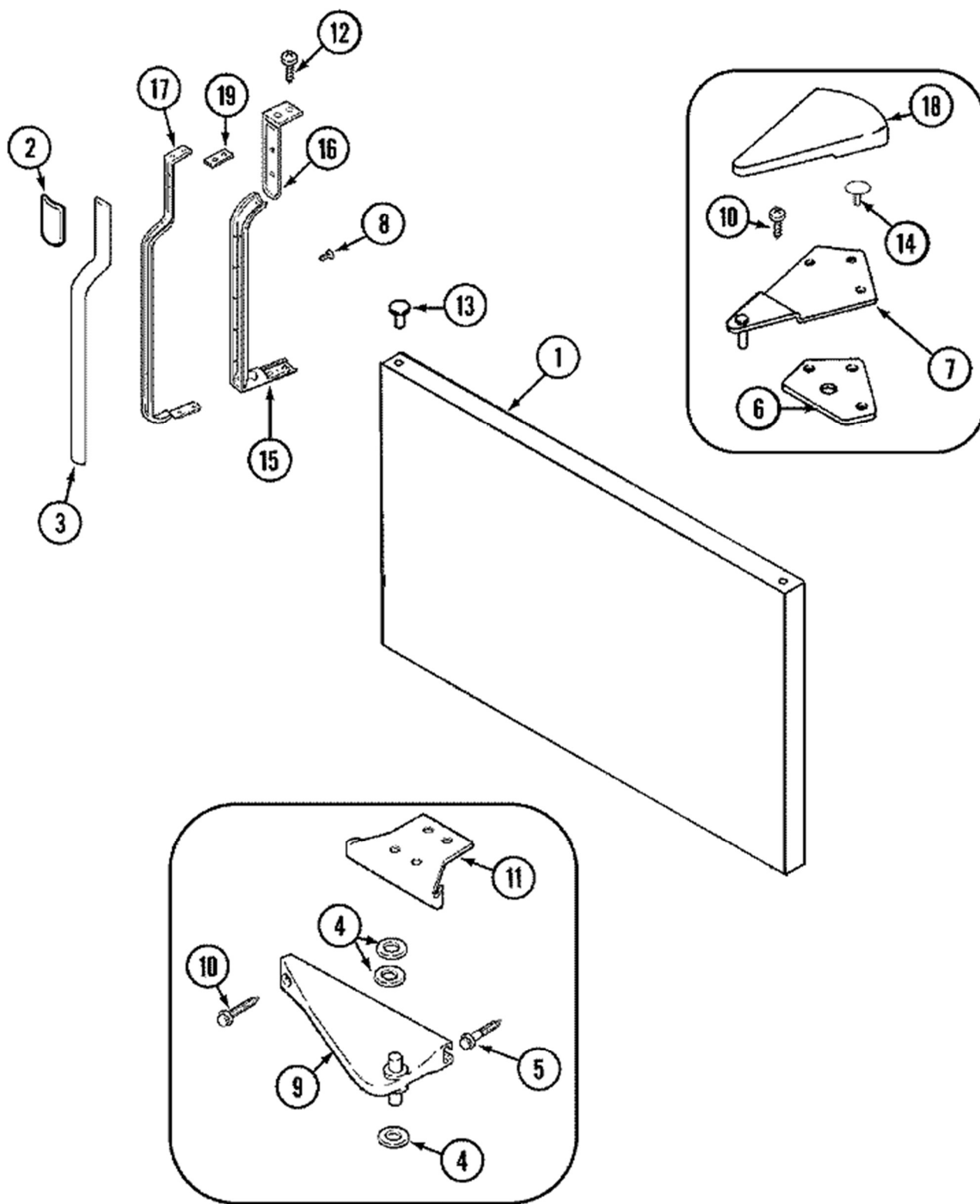
No. Guía	Descripción	Código
1	TUNNEL- AI	61002266
2	Screw 8-18 x 1	WP489474
2	COVER- EVA	61002585
3	SEAL-STRIP	WP854334
3	SEAL- EVAP	61004498
3	BARRIER- F	61004832
3	TRAY- DRIP	61004861
3	SEAL- EVAP	61004498
4	TRAY- DRIP	61004861
5	Evaporator Fan Blade - White	61005066
6	BRACKET- E	61001930
6	Screw	WP489399
7	Evaporator Fan Motor - 115V 60Hz - Blade NOT Included	WP61004888
8	Defrost Heater Clip	WP61003071
8	CLIP- DEFR	61006173
9	Defrost Heater	WP61002046
10	SHIELD- DE	61002543
11	SUPPORT, EVAPORATOR (LT)	61004835
12	Clip-On Defrost Thermostat - 38 degrees	WP61002992
12	Clip -On Defrost Thermostat	WP61005254
13	BASKET- FR	61002588
13	CLIP- BASK	61002356
14	EVAPORATOR	12001398
15	Ice Cube Tray	WP61002140
16	DISCONTINUED	61002586
17	PLUG-HOLE	67557-2
18	CAP- FILL	61002026
19	CAP- I M W	61002027
20	TRIM- FRZ.	61002587
21	PAN- ICE	61002267
22	SHELF- ICE	61002268
23	RETAINER	61002234
23	Screw	WP489399
24	Evaporator Fan Bushing	61002235
25	LEG- FRZ.	61002270
26	Light Bulb - 40W	8009

No. Guía	Descripción	Código
27	Refrigerator Door Switch	W11384469
28	Light Socket	12679501
29	SHIELD- LI	61002272
30	HARNS-WIRE	61005033

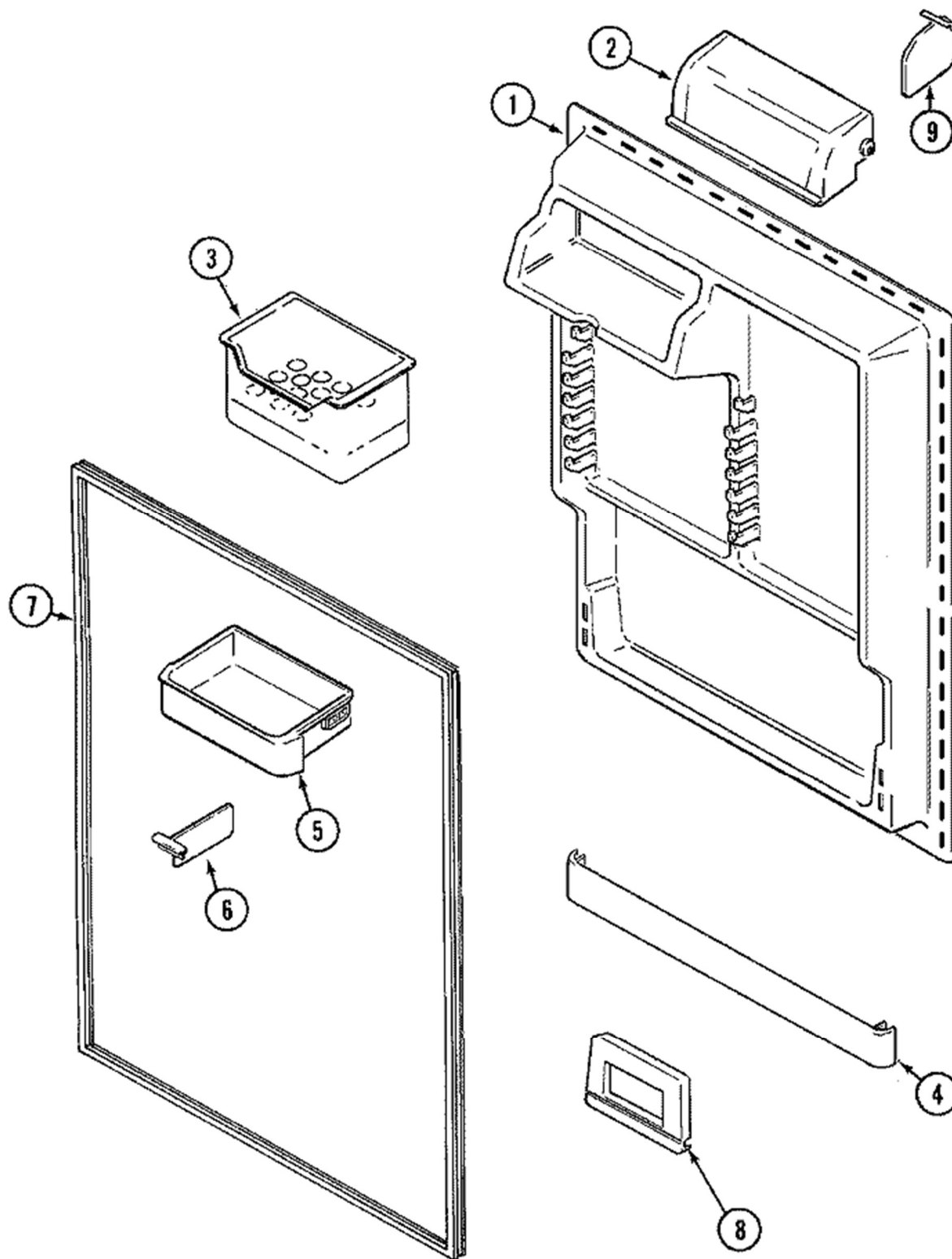


No. Guía	Descripción	Código
1	INSERT, LINER SUPPORT	61004652
2	Freezer Door Gasket	WP61004009
3	Freezer Front Pick-Off Shelf	61002603
4	DISCONTINUED	61002567
5	Door Shelf Retainer Bracket - Left Side	61004465
5	Door Shelf Retainer Bracket - Right Side	61004466
6	Shelf Organizer	61002274

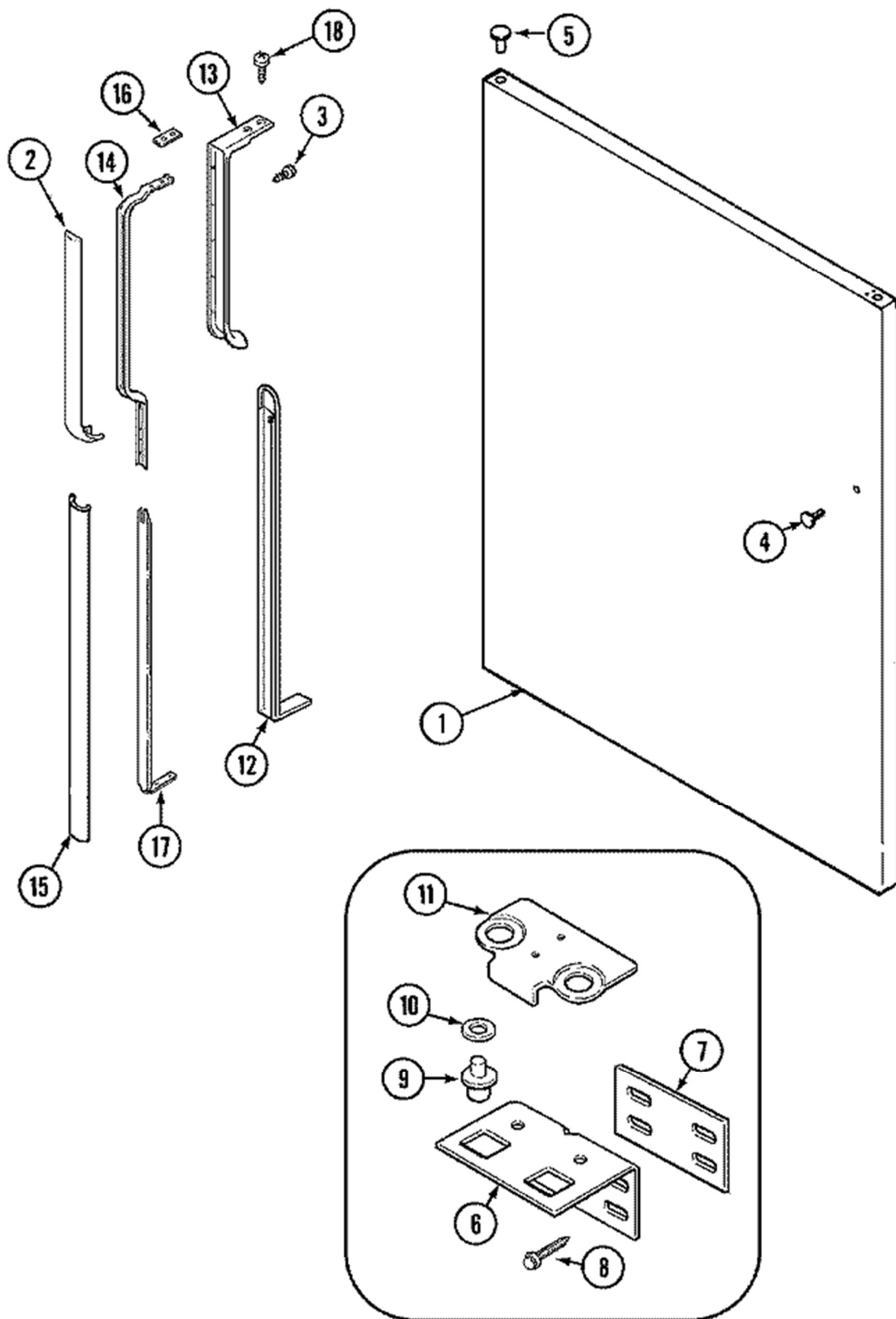




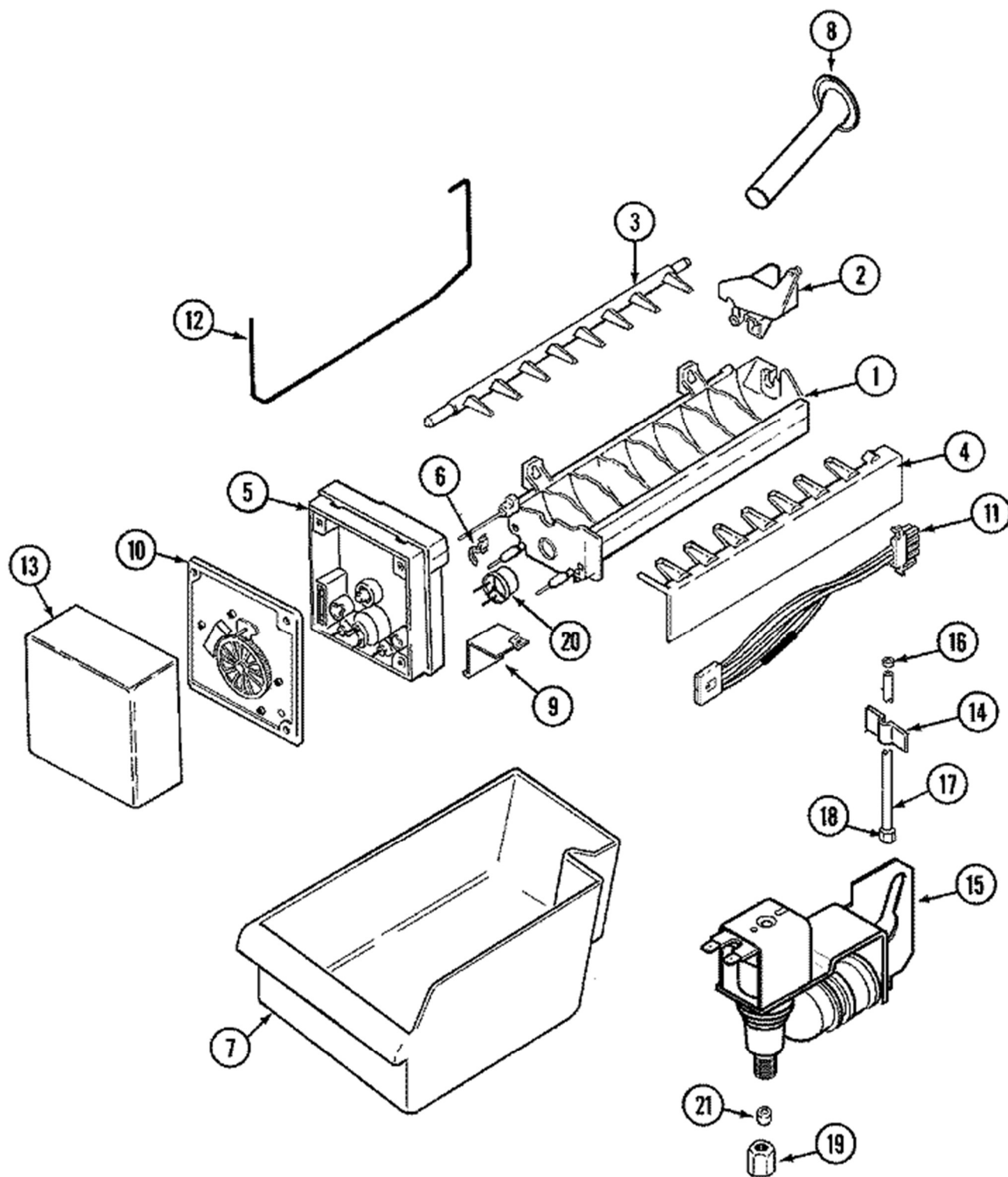
No. Guía	Descripción	Código
1	PANEL- FRZ	61002552
2	NAMEPLATE	61002337
3	DISCONTINUED	61002156
4	Hinge Washer	WP61002231
5	Screw	61002025
6	Upper Hinge Shim	61001922
7	Upper Hinge	61004896
8	SCREW	65275-44
9	Center Hinge	61001920
10	Screw	3400112
11	SCREW	W10856122
11	STOP- DOOR	61004481
12	DISCONTINUED	61002924
13	PLUG-HOLE	61001908
14	PAD	12593203B
15	PLUG-HOLE	61001795
15	Door Handle	61002149
16	BASE- EXTE	61002325
17	FRAME- HAN	61002326
18	COVER- UPP	61002076
19	SHIM, HANDLE	67934-1



No. Guía	Descripción	Código
1	INSERT- LI	61002742
2	DISCONTINUED	61002795
3	Egg Tray	67215-2
4	Refrigerator Door Front Pick-Off Shelf	61005136
5	Door Shelf	61005137
6	Shelf Organizer	61002274
7	Fresh Food Door Gasket	WP61004010
8	RETAINER	61002273
9	ORGANIZER	61002367

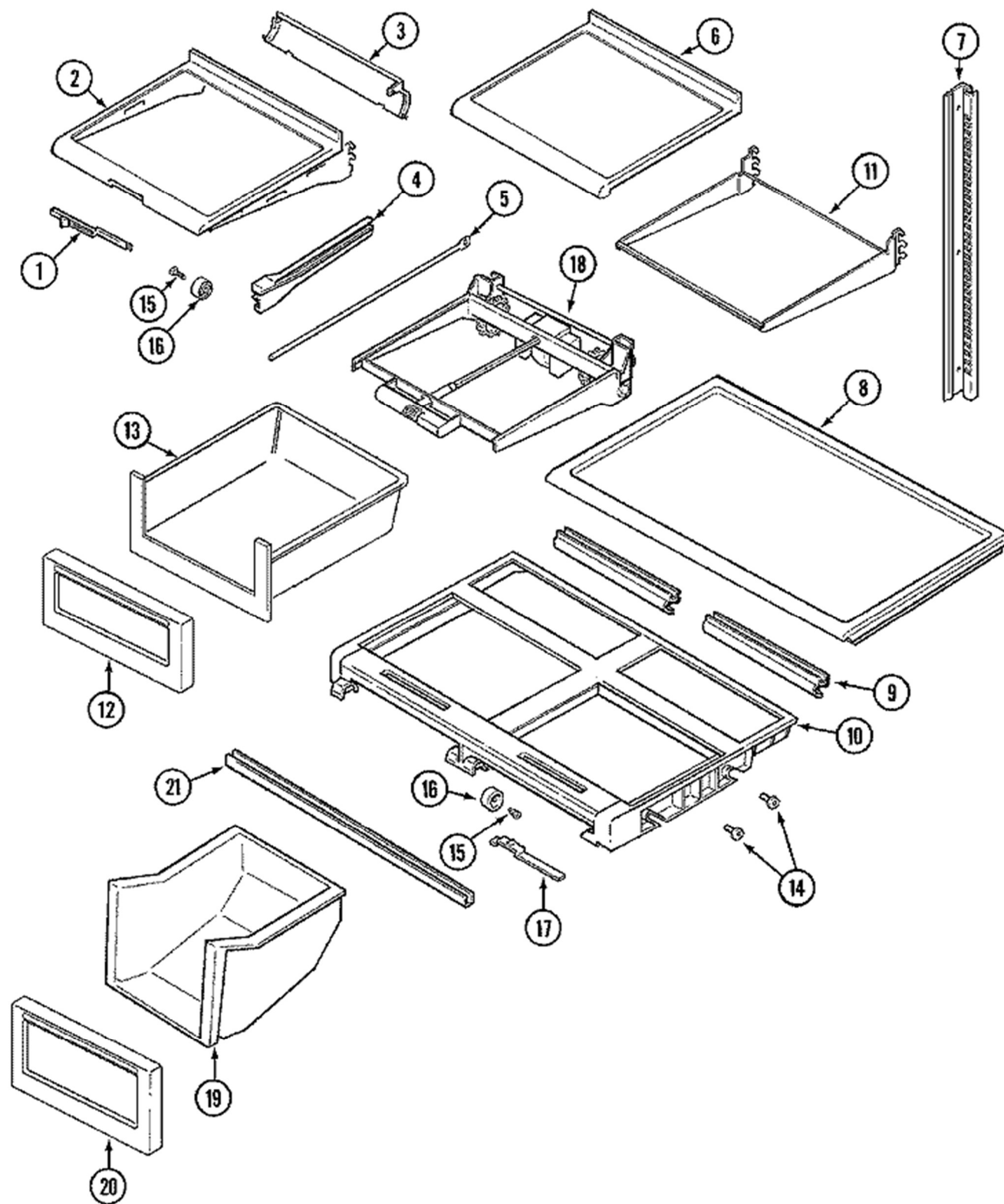


No. Guía	Descripción	Código
1	LABEL, DUAL ENERGY GUIDE	61003514
1	PANEL- F.F	61002822
2	Handle Insert	61002146
3	SCREW	65275-44
4	Plug Button - White	67678-2
4	PLUG-HOLE	61001795
5	PLUG-HOLE	61001908
6	Lower Door Hinge Bracket - white	WP61001918
7	Hinge Shim	61001926
8	Screw	3400112
9	Lower Hinge Pin	WP61001925
10	Hinge Washer	WP61002231
11	Screw	61001876
11	STOP, DOOR	61005602
12	EXTENSION	61002251
13	Door Handle	61002149
13	SCREW	W10856122
14	RETAINER	61002151
15	TRIM, HANDLE EXT. (WHT)	61002322
16	SHIM, HANDLE	67934-1
17	SUPPORT, SHIM	61002324
18	DISCONTINUED	61002924



No. Guía	Descripción	Código
1	Silicone Lubricant	WP99003172
1	Replacement Ice Maker	D7824706Q
2	Water Fill Cup and Bearing	WP628356
3	Ejector Arm	WP627843
4	Ice Stripper	WP2182124
5	Motor Housing	WP2195914
5	Screw	WP681249
6	Retainer, Thermostat	WP2315522
7	PAN- ICE	WP61001886
8	Fill Tube	61005940
9	Screw	WP489128
9	Bracket	WP2256087
10	Screw	WP400021-1
10	Replacement Ice Maker	D7824706Q
11	Ice Maker Wire Harness	WP61001882
12	Sensor Shut-Off Arm	68112-1
13	Ice Maker Cover	61005374
14	Cord Clip	M0104102
14	Screw	W11233072
14	Water Tubing Clamp	W10833902
15	Single Outlet Water Valve	WP61005273
15	Screw	WP8281227
16	Water Hose Clamp	WP488878
17	Plastic Tubing	WPB5705307
18	Compression Nut	WP627018
19	Compression Nut	WP245183
20	Cycling thermostat	WP627985
20	CEMENT, ALUMILASTIC (4 OZ.)	95093-1
21	TRIM, MIDDLE CLEAR CT27N	WP487627





No. Guía	Descripción	Código
1	SLIDE- CON	61002302
1	SCREW	61002584
2	SHELF, MEAT	61005787
3	SCOOP- MEA	61004703
4	Drawer Slide Rail - Left Hand	WP67002190
4	Drawer Glide Rail - Right Side	WP67002191
5	LINKAGE- A	61004704
6	SHELF, ELEVATOR	61004709
6	SHELF- SPI	61002647
7	RAIL- SHEL	61004706
7	SCREW	3-80732-001
7	SCREW	61004707
7	RAIL- SHEL	61004705
8	DISCONTINUED	61002648
9	SEAL- CRIS	61002574
10	DISCONTINUED	61005131
11	FRAME- SHE	61005964
12	Meat Pan Cover Front	61002580
13	Meat Pan	67002189
14	Crisper Drawer Shelf Support	67764-1
14	Screw	WP489478
15	Roller Screw	WP61002308
16	Rack Roller	WP61002307
17	SLIDE- CON	61002310
18	GLIDE- SHE	61004480
18	FRAME Assembly., ELEVATOR SHELF	61006021
19	Crisper Pan	WP61002577
20	Crisper Drawer Front - Right Side	61006202
20	Crisper Pan Front - Left Side	61006203
21	RAIL, CRISPER SUPPORT	61004645

