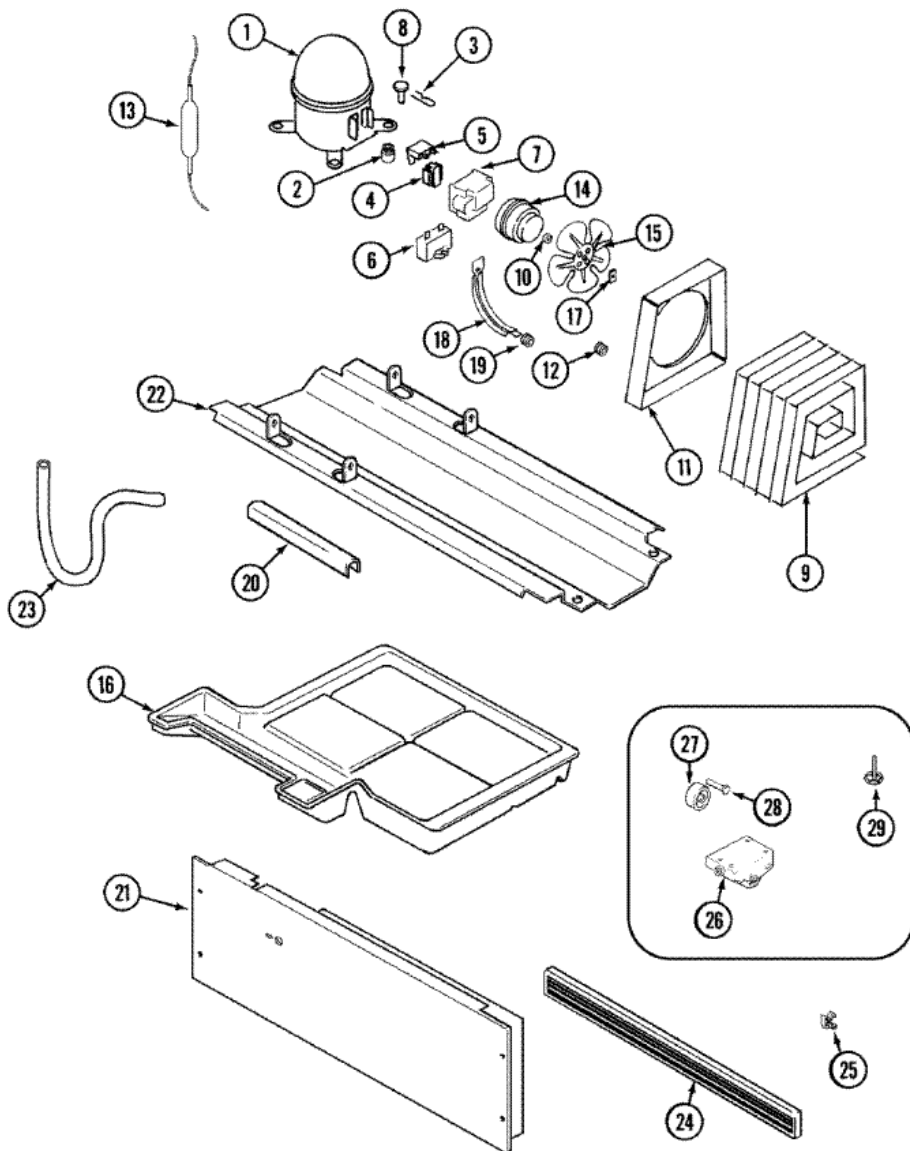


Distribuidor Autorizado

SurteRápido.com

Venta de Refacciones
Electrodomesticas

MTB2456AEA COMPRESSOR



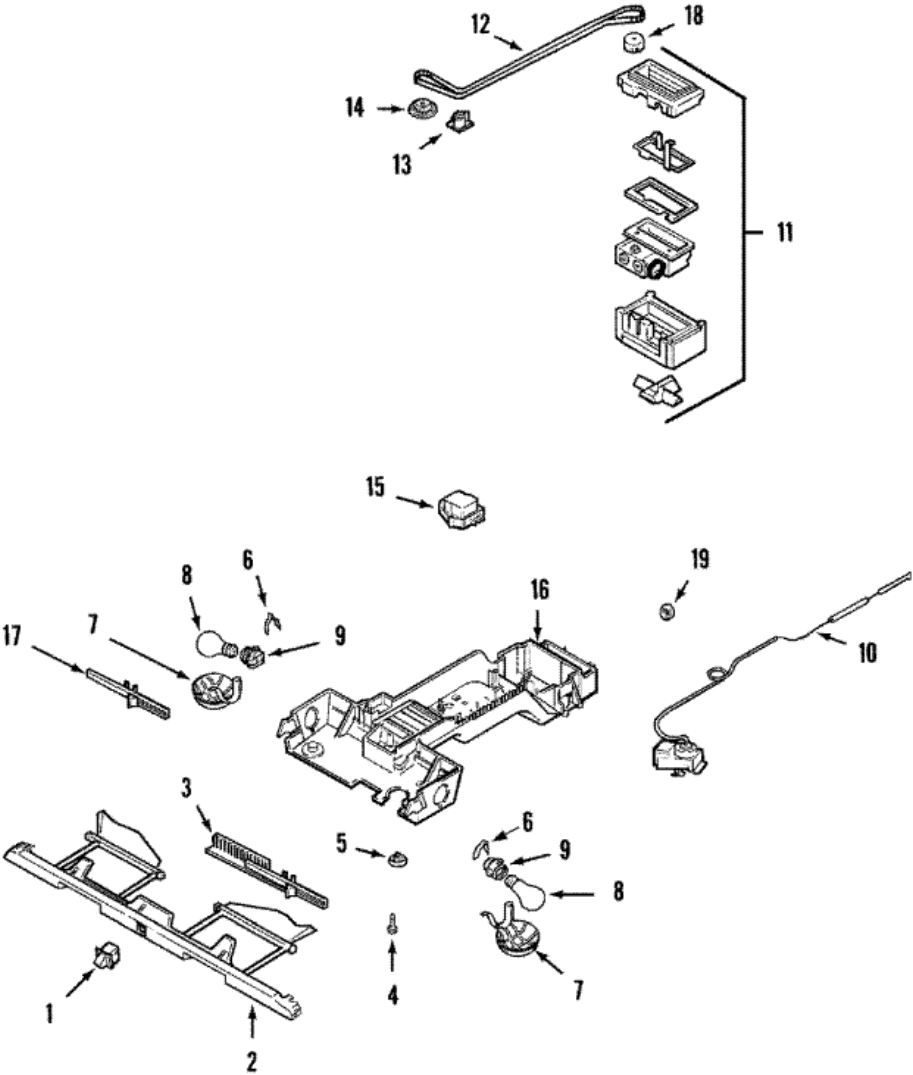


MTB2456AEA COMPRESSOR

1	12002335	KIT, COMPRESSOR (R134A) 115V (S/P)
1	61002223	WIRE HARNESS, COMPRESSOR (S/P)
2	17245-4	GROMMET, COMPRESSOR (S/P)
3	61005561	CLIP (S/P)
4	68857-2	RELAY, START (S/P)
5	61002037	OVERLOAD (S/P)
6	61002137	CAPACITOR, RUN (S/P)
6	400017-1	SCREW (S/P)
7	61002138	COVER, TERMINAL (S/P)
8	61006030	PLUG, COMPRESSOR (S/P)
9	61001885	SCREW (S/P)
9	61005427	COIL, CONDENSER (S/P)
10	61001686	WASHER, FAN BLADE (S/P)
11	61001941	SHROUD, CONDENSER (S/P)
12	61002033	GROMMET, CONDENSER TUBING (S/P)
13	13900-1	DRIER (S/P)
14	65275-33	SCREW (S/P)
14	61002038	MOTOR, CONDENSER FAN (S/P)
15	12587601	BLADE, CONDENSER FAN (S/P)
16	61002958	FASTENER, DRAIN PAN (S/P)
16	61004095	PAN, DRAIN (S/P)
17	486692	CLIP, FAN BLADE (S/P)
18	69181-1	BRACKET, FAN MOTOR (S/P)
19	56933-1	GROMMET, BRACKET (S/P)
20	61001974	ISOLATOR, CONDENSER (S/P)
21	65275-49	SCREW (S/P)
21	12001345	COVER, COMPRESSOR COMPARTMENT (S/P)
22	61002519	PAN, COMPRESSOR MTG. (S/P)
22	61002407	SCREW (S/P)
23	61006123	TUBE, DRAIN TRAP (S/P)
24	61002537	KICKPLATE W/CLIPS (ALM) DESCONTINUADO
25	61001975	CLIP, KICKPLATE (S/P)
26	400016-1	SCREW (S/P)

26	61002066	WHEEL ASSY. (FRT) (S/P)
27	61003826	WHEEL (REAR) (S/P)
28	61002104	PIN, WHEEL (S/P)
29	61002014	LEG, LEVELING (S/P)

MTB2456AEA CONTROLS





MTB2456AEA CONTROLS

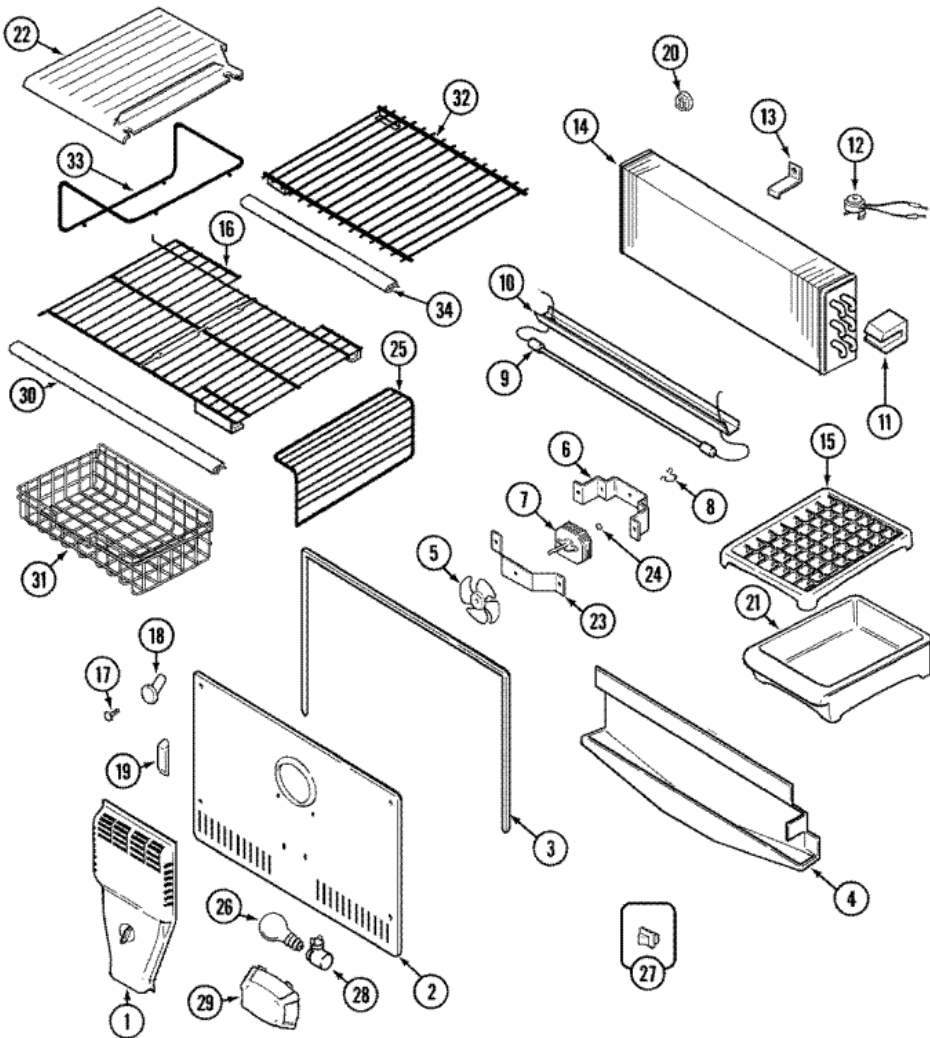
1	1118894	SWITCH, LIGHT (S/P)
2	61002568	PANEL, CONTROL (S/P)
3	61002295	SLIDE, CONTROL (FRZ.) (S/P)
4	61002115	SCREW, HOUSING MTG. (S/P)
5	61002288	GEAR, CONTROL (F.F.) (S/P)
6	61002117	CLIP, RECEPTACLE (S/P)
7	61002286	GUARD, LIGHT (S/P)
8	61001787	BULB, LIGHT (S/P)
9	61005604	RECEPTACLE, BULB (S/P)
10	65275-81	SCREW (S/P)
10	61002043	CONTROL, TEMPERATURE (S/P)
11	61002092	DAMPER/INSULATION KIT (S/P)
12	61002650	BELT, DAMPER (S/P)
13	61002289	TENSIONER, BELT (S/P)
14	61002291	GEAR, DAMPER BELT (FRT) (S/P)
15	405007-1	SCREW (S/P)
15	68233-3	TIMER, DEFROST (S/P)
16	61004691	HOUSING, CONTROL DESCONTINUADO
16	61002297	SHIELD, HEAT (RT) DESCONTINUADO
16	61002296	SHIELD, HEAT (LT) DESCONTINUADO
17	61002294	SLIDE, CONTROL (F.F.) (S/P)
18	61002292	GEAR, DAMPER BELT (REAR) (S/P)
19	61001977	SEAL, DRAIN (S/P)
20	61002316	WIRE HARNESS, CONTROLS (S/P)

Distribuidor Autorizado

SurteRápido.com

Venta de Refacciones
Electrodomesticas

MTB2456AEA FREEZER COMPARTMENT



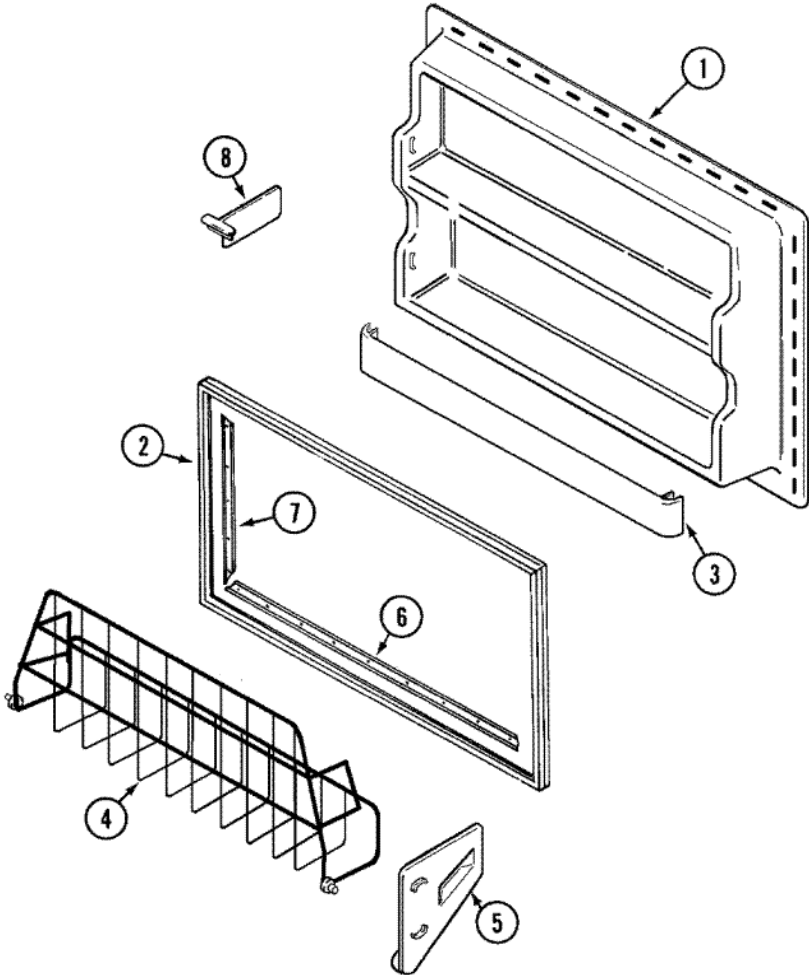


MTB2456AEA FREEZER COMPARTMENT

1	61004543	TUNNEL, AIR DESCONTINUADO
2	61002318	COVER, EVAPORATOR (S/P)
2	61002429	SCREW (S/P)
3	61004624	SEAL, EVAPORATOR COVER (S/P)
3	61003828	SEAL, FOAM (CTR) (S/P)
3	61002660	SEAL, FOAM (SOUND DAMPENING) (S/P)
4	61004861	TRAY, DRIP (S/P)
5	61005066	BLADE, FAN (S/P)
6	61001930	BRACKET, EVAPORATOR FAN (S/P)
6	61001885	SCREW (S/P)
7	61004888	MOTOR, EVAPORATOR FAN
8	61003071	CLIP, DEFROST HEATER (S/P)
9	61002046	HEATER, DEFROST (S/P)
10	61002543	SHIELD, DEFROST HEATER (S/P)
11	61003012	SUPPORT, EVAPORATOR (LT) (S/P)
11	61003013	SUPPORT, EVAPORATOR (RT) (S/P)
12	61002992	THERMOSTAT, DEFROST (S/P)
12	61005254	THERMOSTAT, DEFROST (S/P)
13	400017-35	SCREW (S/P)
13	61001951	BRACKET, EVAPORATOR (S/P)
14	12001398	EVAP/HEAT EXCH. ASSY. 21 & 24' (S/P)
15	61002140	TRAY, ICE (S/P)
16	61002711	SHELF, FRZ. DESCONTINUADO
17	67557-2	PLUG BUTTON, AIR DUCT & I/M (S/P)
18	61002026	CAP, FILL TUBE (S/P)
19	61002027	CAP, I/M WIRE HARNESS (S/P)
20	61002028	CAP, WATER ENTRY DESCONTINUADO
21	61002177	PAN, ICE (S/P)
22	61002712	SHELF, ICE TRAY (S/P)
23	61002234	RETAINER, EVAPORATOR FAN (S/P)
23	61001885	SCREW (S/P)
24	61002235	BUSHING, EVAPORATOR FAN (S/P)
25	61002662	LEG, FRZ. SHELF DESCONTINUADO

26	31956-1	BULB, LIGHT (S/P)
27	66987-1	SWITCH, LIGHT (S/P)
28	68974-3	RECEPTACLE, BULB (S/P)
29	61002272	SHIELD, LIGHT (S/P)
30	61002587	TRIM, FRZ. SHELF (S/P)
31	61002713	BASKET, FRZ. DESCONTINUADO
31	61002356	CLIP, BASKET (S/P)
32	61002714	SHELF, FRZ. (UPPER) DESCONTINUADO
33	61002715	LEG, SHELF (UPPER) DESCONTINUADO
34	61002716	TRIM, SHELF (UPPER) DESCONTINUADO
36	61002545	WIRE HARNESS, FREEZER (S/P)

MTB2456AEA FREEZER INNER DOOR

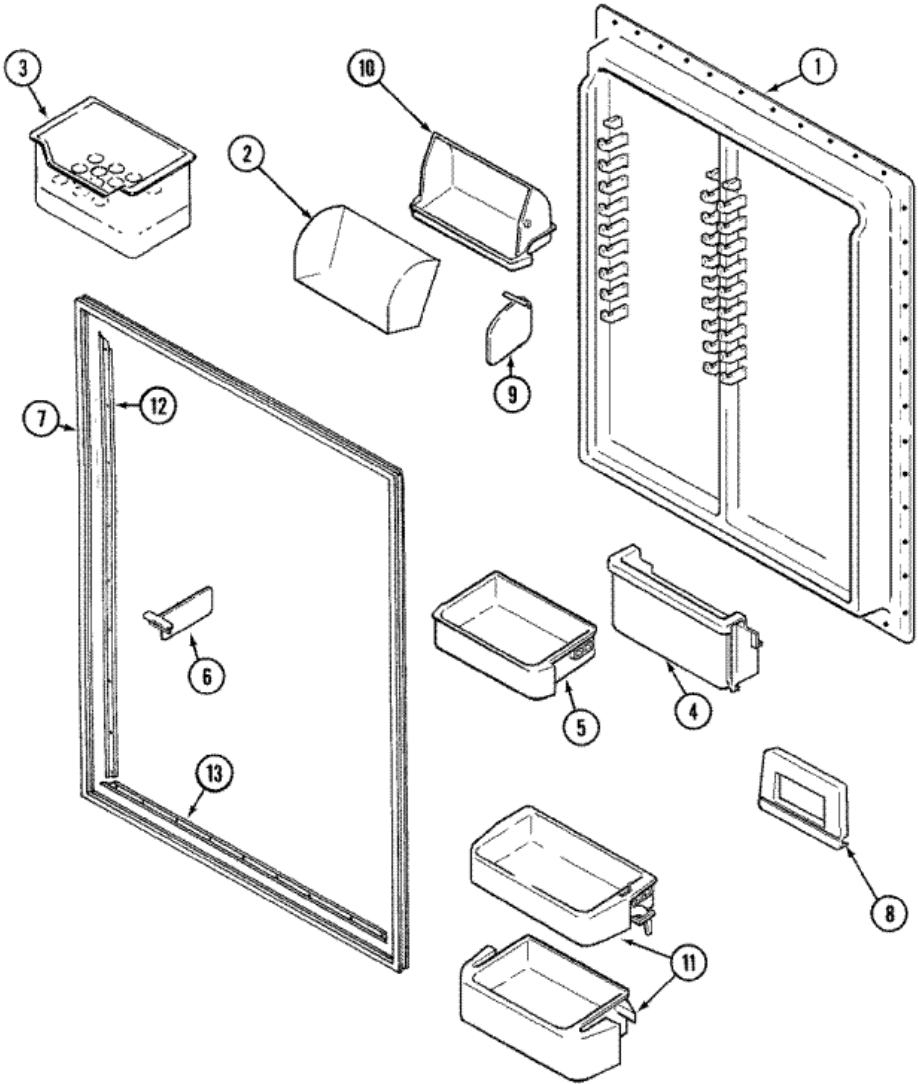




MTB2456AEA FREEZER INNER DOOR

1	65275-5	SCREW DESCONTINUADO
1	61002674	INSULATION, LINER SUPPORT (S/P)
1	61002673	LINER, FRZ. DOOR DESCONTINUADO
1	61002557	INSERT, LINER SUPPORT (S/P)
2	61004011	SEAL, FRZ. DOOR (WHT) (S/P)
3	61002603	FRONT, PICK-OFF (S/P)
4	61002567	BASKET, TILT-OUT (S/P)
5	61004466	STOP, BASKET (RT) (S/P)
5	61004465	STOP, BASKET (LT) (S/P)
6	61002597	RETAINER, SEAL (TOP/BOTTOM) DESCONTINUADO
7	61002381	RETAINER, SEAL (SIDE) (S/P)
8	61002274	ORGANIZER, SHELF (S/P)

**MTB2456AEA FRESH FOOD INNER
DOOR**

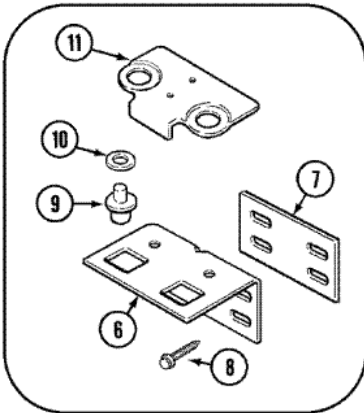
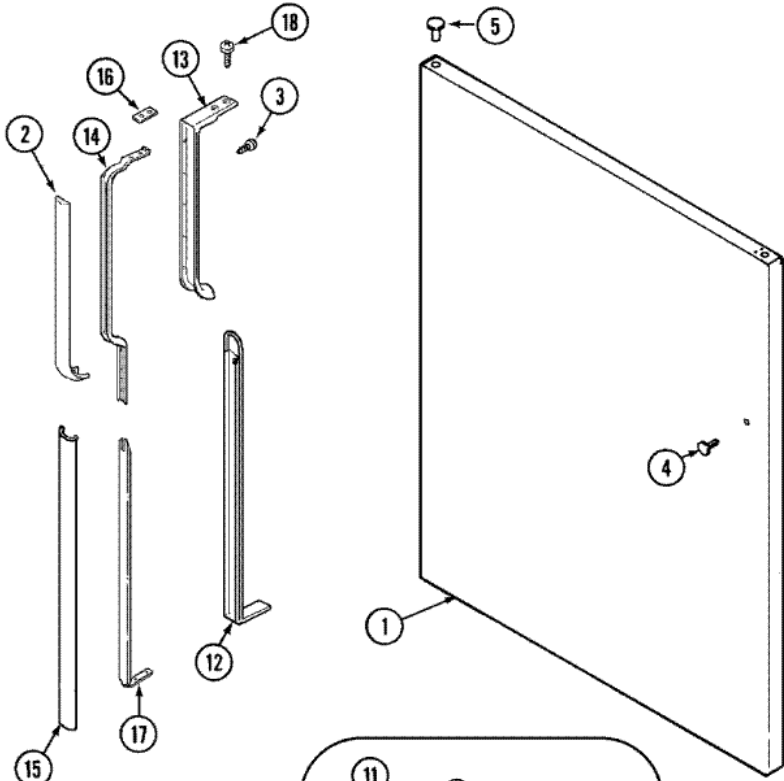




**MTB2456AEA FRESH FOOD INNER
DOOR**

1	65275-5	SCREW (S/P)
1	61002665	LINER, F.F. DOOR DESCONTINUADO
2	61002666	DOOR, DAIRY DESCONTINUADO
3	67215-2	TRAY, EGG (S/P)
4	61002667	BUCKET, TIP OUT DESCONTINUADO
5	61005137	SHELF, PICK-OFF (S/P)
6	61002274	ORGANIZER, SHELF (S/P)
7	61004010	SEAL, F.F. DOOR (WHT)
8	61002273	RETAINER, BOTTLE (S/P)
9	61002760	ORGANIZER, DAIRY COMPT. (S/P)
10	61002668	SHELF, P.O. DAIRY (S/P)
11	61002761	DRAWER ASSY., UTILITY DESCONTINUADO
12	61002366	RETAINER, SEAL (SIDE) DESCONTINUADO
13	61002597	RETAINER, SEAL (TOP/BOTTOM) DESCONTINUADO

MTB2456AEA FRESH FOOD OUTER DOOR





**MTB2456AEA FRESH FOOD OUTER
DOOR**

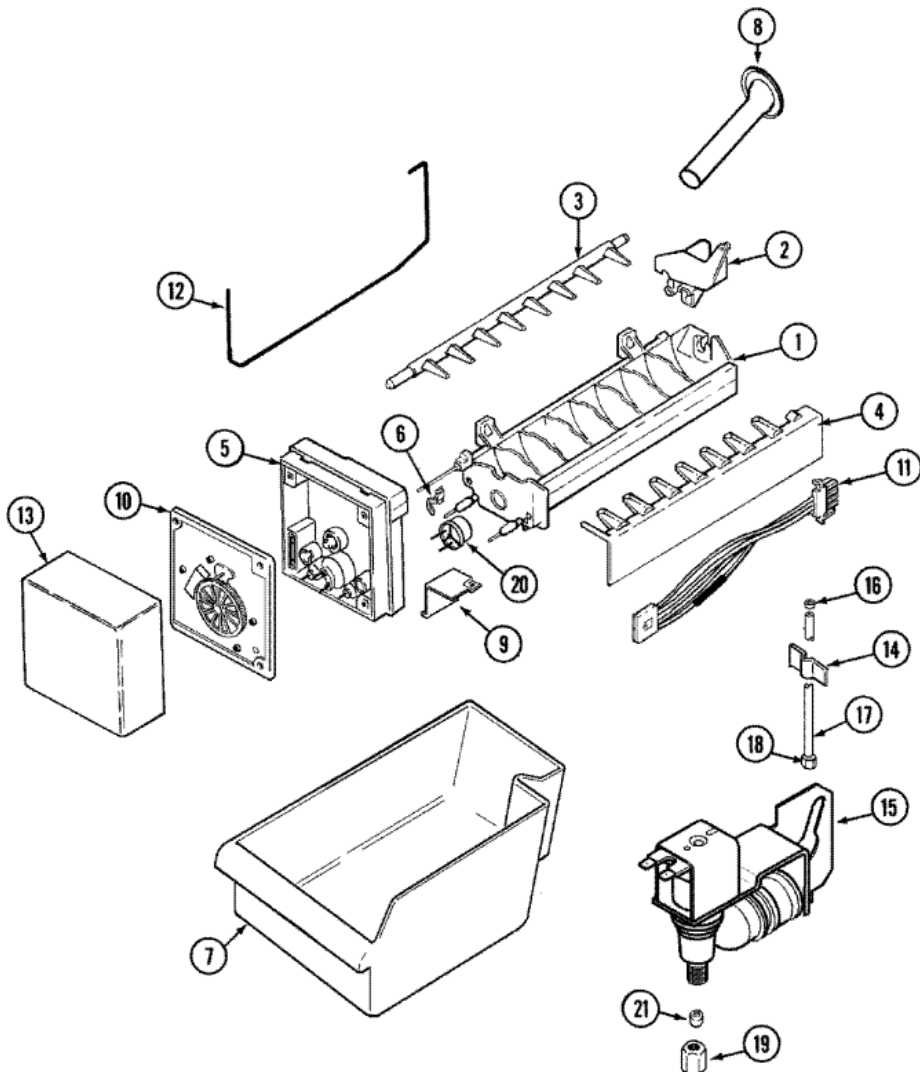
1	61002590	PANEL, F.F. DOOR (ALM) (S/P)
2	61002147	INSERT, HANDLE (ALM) DESCONTINUADO
3	65275-44	SCREW (S/P)
4	67678-3	PLUG BUTTON, HANDLE TOP (ALM) (S/P)
4	61001796	PLUG BUTTON (ALM) (S/P)
5	61001909	PLUG BUTTON, HINGE CUP (ALM) (S/P)
6	61001919	HINGE, LOWER (ALM) (S/P)
7	61001926	SHIM, LOWER HINGE (S/P)
8	61002022	SCREW (S/P)
9	61001925	PIN, LOWER HINGE (S/P)
10	61002231	WASHER, CENTER HINGE (S/P)
11	61001876	SCREW (S/P)
11	61006147	STOP, DOOR (S/P)
12	61002251	SHIM, TRIM LOCK (S/P)
13	61002150	HANDLE (ALM) (S/P)
13	61002180	SCREW (S/P)
14	61002151	FRAME, HANDLE (S/P)
15	61002323	TRIM, HANDLE EXT. (ALM) DESCONTINUADO
16	67934-1	SHIM, HANDLE DESCONTINUADO
17	61002324	SUPPORT, SHIM DESCONTINUADO
18	61001875	SCREW (S/P)

Distribuidor Autorizado

SurteRápido.com

Venta de Refacciones
Electrodomesticas

MTB2456AEA ICE MAKER





MTB2456AEA ICE MAKER

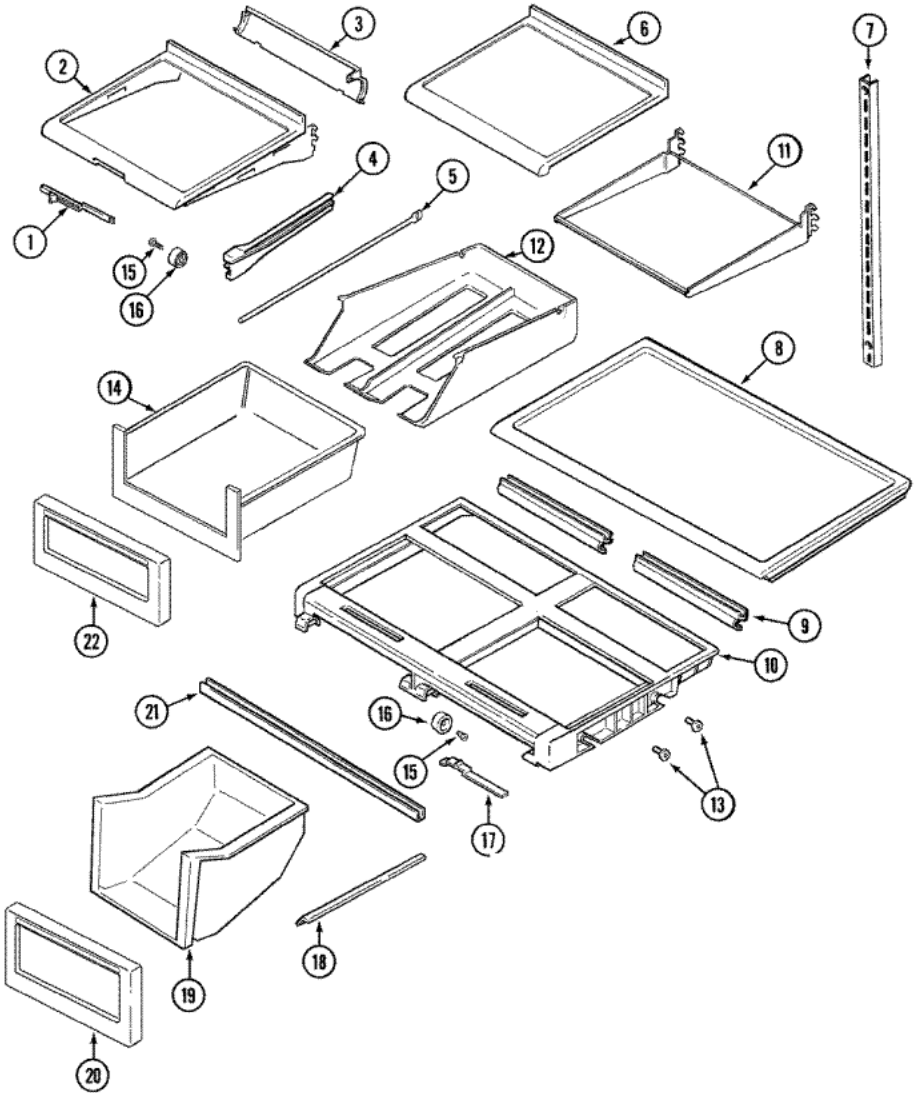
1	D7824706Q	MOLD & HEATER ASSY.
1	99003172	GREASE, SILICONE (S/P)
2	628356	INLET, WATER (S/P)
3	627843	EJECTOR, ICE (S/P)
4	2182124	STRIPPER, ICE (S/P)
5	2195914	SUPPORT, MODULE HOUSING (S/P)
5	95106-1	SCREW (S/P)
6	2315522	RETAINER, THERMOSTAT (S/P)
7	61001886	PAN, ICE (S/P)
8	61005940	GROMMET, WATER ENTRY (S/P)
9	2256087	BRACKET, MODULE & HEATER (S/P)
9	95108-1	SCREW, BRACKET (S/P)
10	400021-1	SCREW (S/P)
10	D7824706Q	MODULE, ICE MAKER
11	61001882	WIRE HARNESS, ICE MAKER (S/P)
12	68112-1	ARM, SENSOR (S/P)
13	61005374	COVER, ICE MAKER (S/P)
14	61001889	CLIP, WATER LINE (ADHESIVE) (S/P)
14	53516-8	CLAMP, TUBING (S/P)
14	400016-1	SCREW (S/P)
15	61002819	SCREW (S/P)
15	61005273	VALVE, WATER (S/P)
16	60333-4	CLAMP, SPRING (S/P)
17	67579-6	TUBING, VALVE TO GROMMET (S/P)
18	69583-1	NUT, COMPRESSION (1/4") (S/P)
19	69432-1	NUT, BRASS (1/4") (S/P)
20	627985	THERMOSTAT (S/P)
20	95093-1	CEMENT, ALUMILASTIC (4 OZ.) (S/P)
21	487627	SLEEVE, BRASS (S/P)

Distribuidor Autorizado

SurteRápido.com

Venta de Refacciones
Electrodomesticas

MTB2456AEA SHELVES





MTB2456AEA SHELVES

1	61002584	SCREW (S/P)
1	61002302	SLIDE, CONTROL (S/P)
2	61002652	SHELF, MEAT (S/P)
3	61004703	BAFFLE, MEAT SHELF (S/P)
4	67002190	RAIL, MEAT PAN (LT) (S/P)
4	61002653	RAIL, MEAT PAN (RT) (S/P)
5	61002654	LINKAGE, ACTUATOR DESCONTINUADO
6	61002745	SHELF, SPILLPROOF DESCONTINUADO
7	61002253	RAIL, CANT. SHELF (S/P)
7	400037-28	SCREW (S/P)
7	400022-1	SCREW (S/P)
7	61002254	RAIL, SHELF SUPPORT (LT/RT) (S/P)
8	61002648	GLASS, CRISPER SHELF DESCONTINUADO
9	61002574	SEAL, CRISPER SHELF (REAR) (S/P)
10	61005131	SHELF, CRISPER (S/P)
11	61005969	FRAME, CAN RACK (S/P)
11	61005965	FRAME, SPILLPROOF SHELF (S/P)
12	61002406	RACK, CAN (S/P)
13	67764-1	SUPPORT, CRISPER SHELF (S/P)
13	400017-1	SCREW (S/P)
14	61002656	PAN, MEAT (S/P)
15	61002308	SCREW, ROLLER (S/P)
16	61002307	ROLLER (S/P)
17	61002310	SLIDE, CONTROL (S/P)
18	61002312	SEAL, SIDE (S/P)
19	61002577	PAN, CRISPER (S/P)
20	61006203	FRONT, CRISPER PAN (LT) (S/P)
20	61006202	FRONT, CRISPER PAN (RT) (S/P)
21	61004645	RAIL, CRISPER SUPPORT DESCONTINUADO
22	61002580	FRONT, MEAT PAN (S/P)