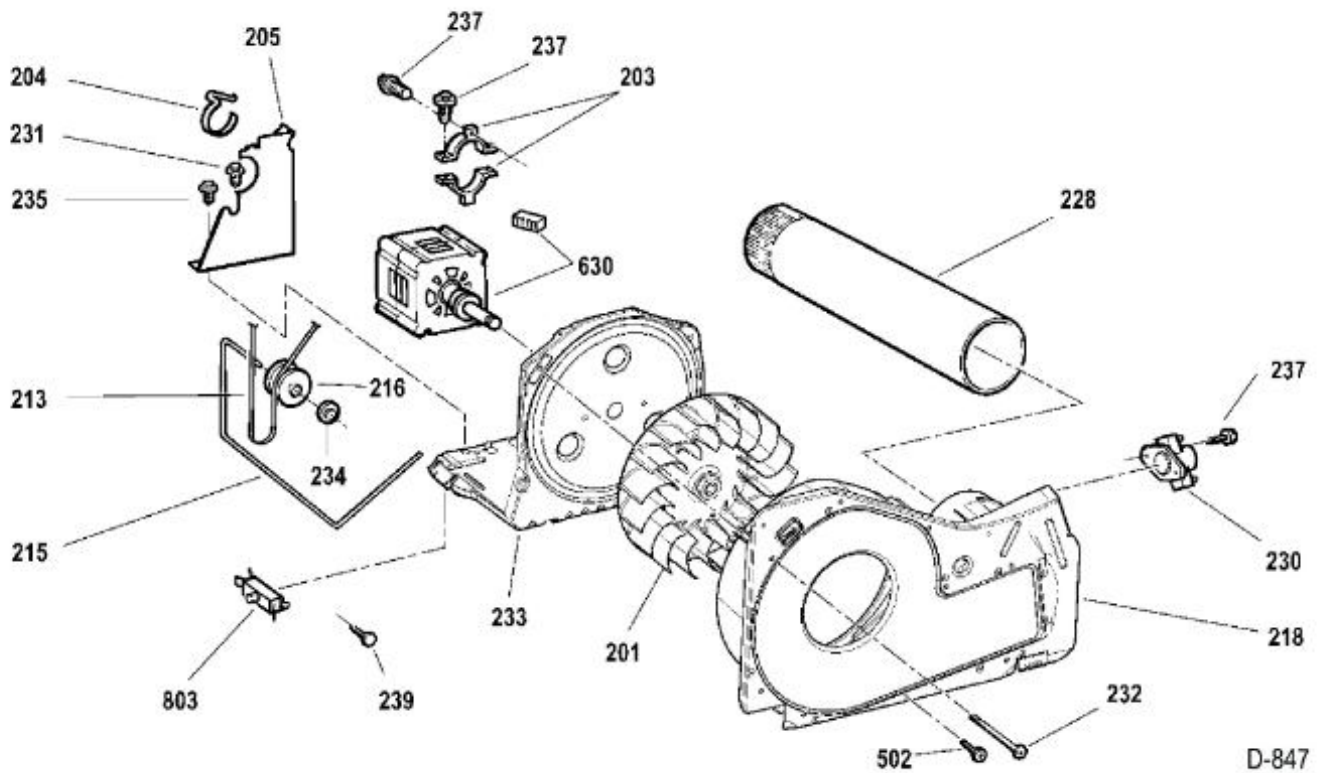
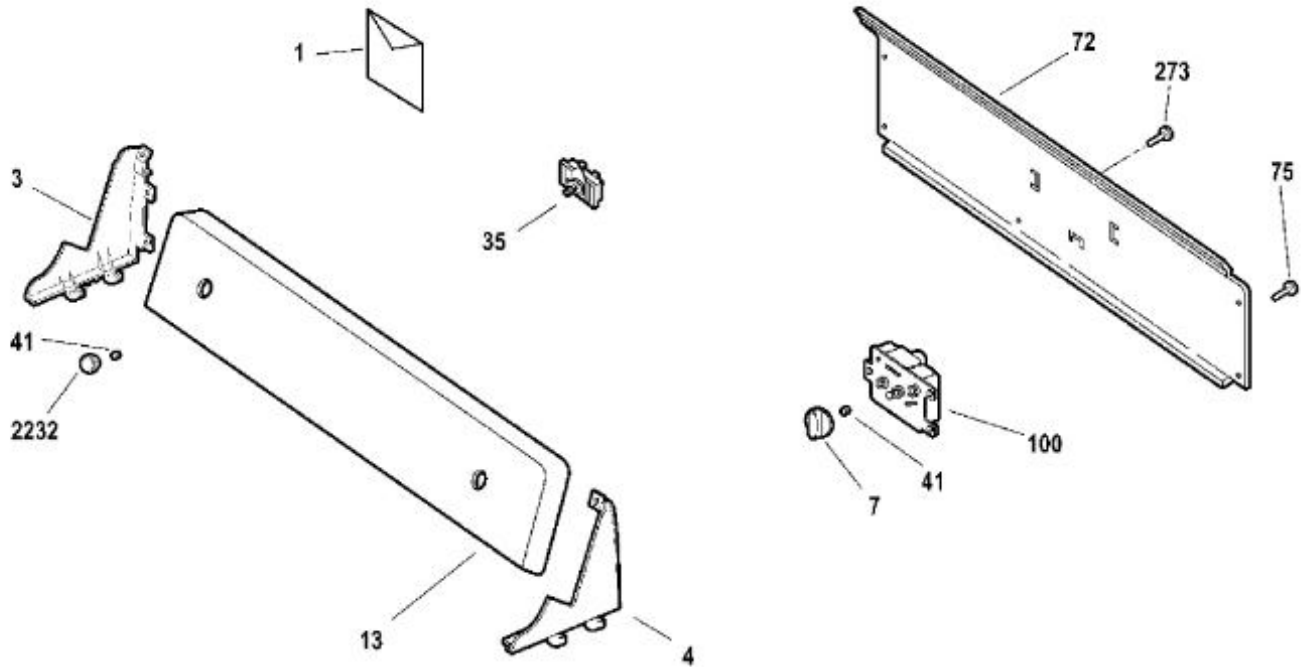


SECADORA MTMX050EF2WW

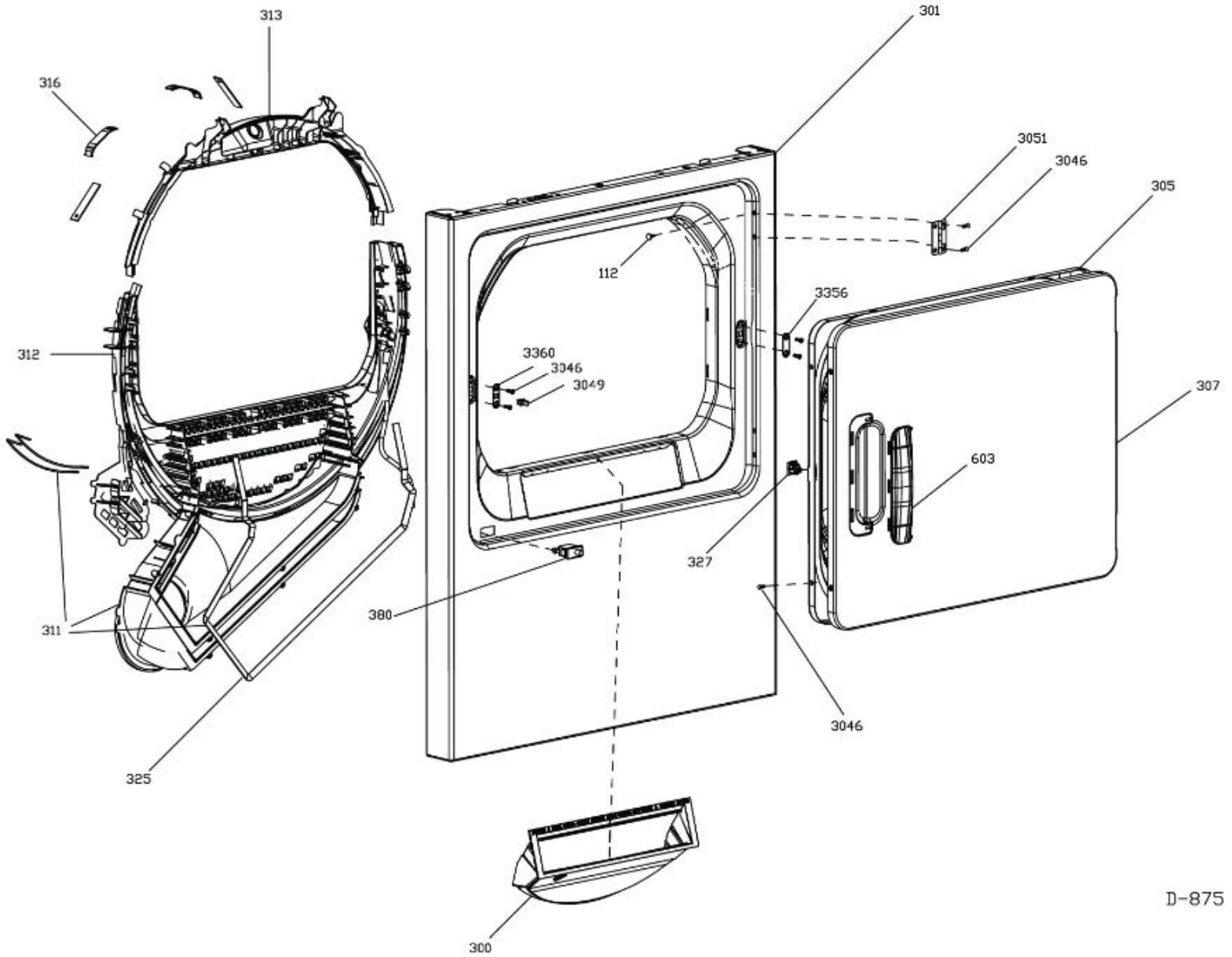


Distribuidor Autorizado

SurteRápido.com

Venta de Refacciones
Electrodomesticas

SECADORA MTMX050EF2WW

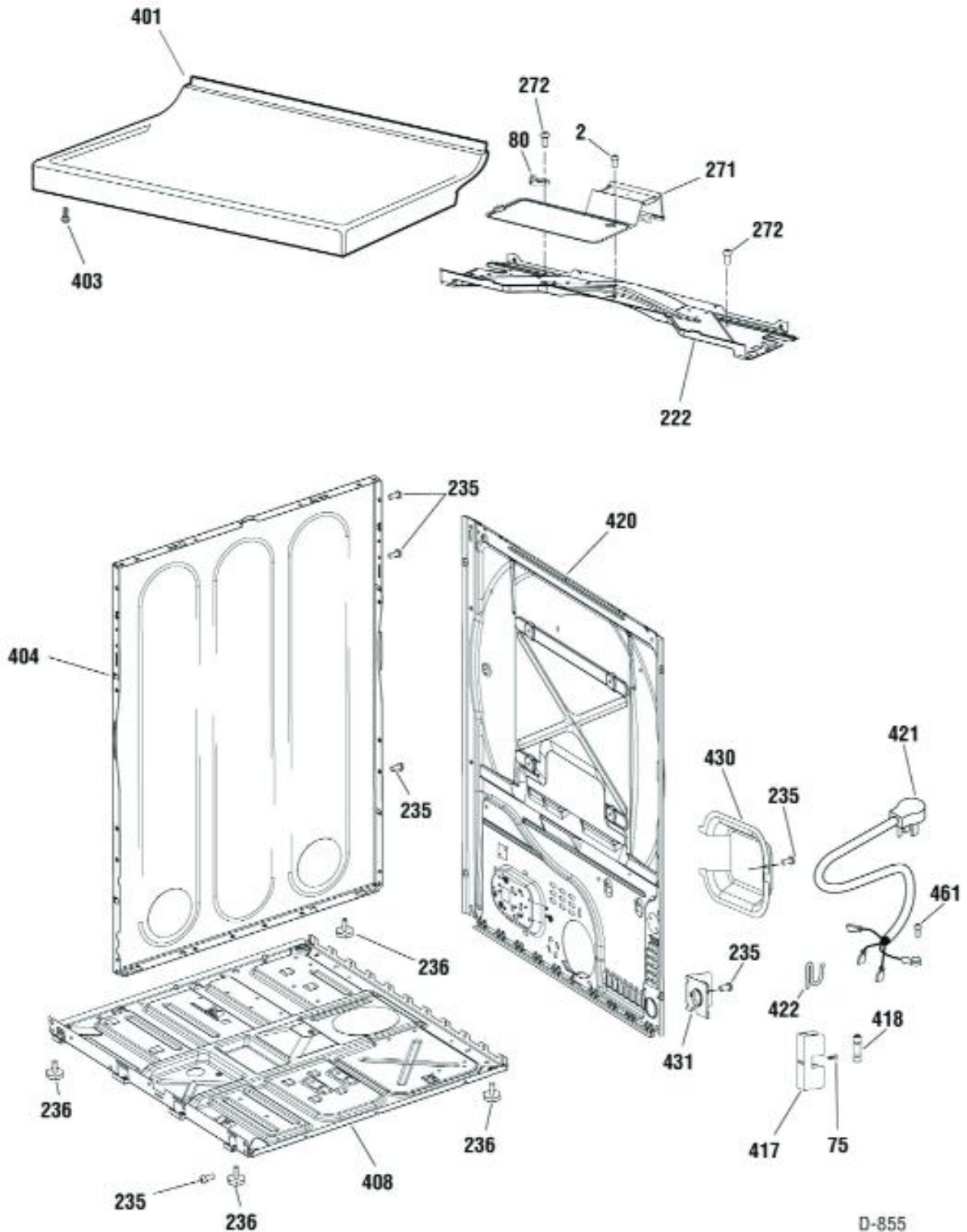


Distribuidor Autorizado

SurteRápido.com

Venta de Refacciones
Electrodomesticas

SECADORA MTMX050EF2WW

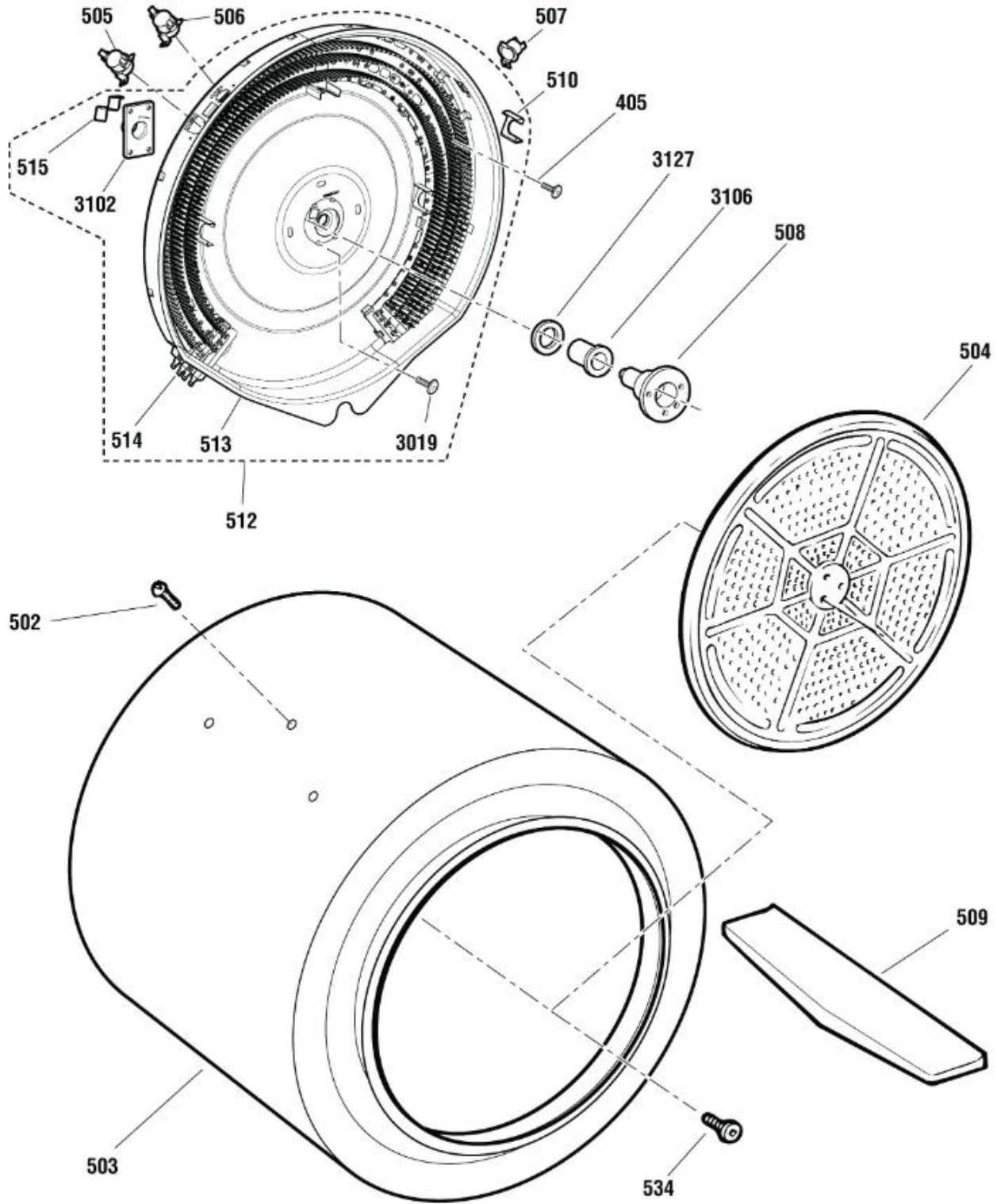


Distribuidor Autorizado

SurteRápido.com

Venta de Refacciones
Electrodomesticas

SECADORA MTMX050EF2WW



Distribuidor Autorizado

SurteRápido.com

Venta de Refacciones
Electrodomesticas

SECADORA MTMX050EF2WW

Guía	Refacción	Descripción
1	234D2190P022	WIRING LABEL
1	234D2191P006	WIRING LABEL
1	WE6M672	USE & CARE
2	WE2M215	SCREW # 8
3	WE19M1478	END CAP " LH " (WHITE) (WHITE)
4	WE19M1477	END CAP " RH " (WHITE) (WHITE)
7	WE1M858	TIMER KNOB ASM. (WHITE) (WHITE)
13	WE19M1776	BKSPL. ASM. MF WHITE
35	WW02L00024	INTERRUPTOR ARRANQUE
41	WG04A00748	CLIP KNOB
72	WG04L07082	REAR PANEL
75	WE2M173	SCREW
80	WG04F02271	RESISTOR 45000 OHM
100	WG04F01148	TIMER
112	WG04L01422	PLUG DOOR WH
201	WW02A00011	BLOWER WHEEL W/NUT INSER
203	WE13X182	STRAP MOTOR
204	WG04F01582	MOTOR STRAP
205	WW02A00070	SCREW GROUND
205	WG04A00990	SOPORTE
213	WG04F01569	BANDA TRANSMISION
215	WW02A00060	IDLER ARM SPRING
216	WE12M8	PULLEY IDLER
218	WE14X20247	BLOWER HOUSING ASM
218	WW02F00240	GASKET SEAL, HSNQ EXH.
222	WE20M494	BOTTOM COVER
222	WW03A00199	SCREW
222	NLA	SCREW
228	WG04F01753	ELBOW EXHAUST
228	WW01F01581	ELBOW EXHAUST
230	WE4M127	THERMOSTAT CONTROL
231	WE2M187	SCREW
232	WW02A00032	SCREW
233	WE13M65	MOTOR PLATE
234	WG04A00124	NUT CAP

Distribuidor Autorizado

SurteRápido.com

Venta de Refacciones
Electrodomesticas

SECADORA MTMX050EF2WW

Guía	Refacción	Descripción
234	WG04A00124	NUT CAP
235	WE2M307	SCREW
236	WG04F07974	LEVELLING LEG - 1PC PLASTIC - OD 3
236	WG04L07069	LEVELLING LEG - 1PC PLASTIC - OD 3
237	WG04A00178	SCREW
239	WE2M167	SCREW
271	WW03L00277	BOTTOM COVER HEAT SHIELD
271	WW02L00268	BOTTOM COVER HEAT SHIELD
272	WE2M308	SCREW
300	WG04F00416	FILTER & MESH ASM.
300	WW02F00616	FILTER & MESH ASM.
301	WE20X20322	FRONT PANEL "WHITE"
305	WE10X20236	INNER DOOR ASM. " WHITE "
307	WE10M102	DOOR PANEL "WHITE"
311	WE14M92	AIR DUCT ASM.
312	WG04F03523	SELLO DE FIELTRO
312	WW02A00201	SELLO DE FIELTRO
313	WW02F00010	TOP BEARING
316	WG01F01524	ESPACIADOR LATERAL DE RODAMIENTO
316	WG04A00023	BEARING-SLIDE WHITE
325	WE00M169	GASKET (SEAL)
327	WG04F00606	LATCH
380	WG02L00217	INTERRUPTOR PUERTA
401	WE20M286	COVER "WHITE"
403	WE2M160	SCREW
404	WE20M540	SIDE PANEL WHITE
408	WE20M492	CABINET BASE BOTTOM
417	WG04A00628	HOLDER FUSE
418	WG04F02263	FUSE CCMR 30A 120V
420	WE20M538	REAR PANEL 6 C.F.
421	WE2M228	SCREW NO.8 (GROUND) (GROUND)
421	WE26M338	CORD SET
422	WW02F00022	CORD CLIP
430	WG04L07202	TERM. BLOCK COVER
431	WG04L07137	STRAIN RELIEF BRACKET

Distribuidor Autorizado

SurteRápido.com

Venta de Refacciones
Electrodomesticas



SECADORA MTMX050EF2WW

Guía	Refacción	Descripción
461	WW01A00001	SCREW
502	WW02A00031	SCREW #10
503	WE21M14	DRUM ASM 6.0 CU.FT
504	WG04F00267	DEFLECTOR HEAT
504	WG04F00267	DEFLECTOR HEAT
504	WG04F12324	DIFUSOR
505	WW02F00173	THERM. L210
506	WG04F03775	TERMOSTATO
507	WG04F02277	THERMOSTAT HI-LIMIT
508	WW02F00244	SOPORTE
508	WG02F02340	SOPORTE
508	WG02F02340	SHAFT & BRACKET ASM
508	WG02F02340	SHAFT & BRACKET ASM
509	WW01F01128	BAFFLE
510	WW01A00442	SOPORTE DE PROTECCION
512	WE11M30	MICA HEATER & HSNG ASM
513	WE11M31	HOUSING HEATER
514	WE11M32	MICA UNIT ASM
515	WW01A00443	GROUND STRAP
534	WW01A00456	SCREW #10
603	WG04L01399	HANDLE "WHITE"
630	WG04F02258	ENSAMBLE MOTOR
630	WG04F02264	CONNECTOR MOTOR
803	WW02F00232	SWITCH INTER.
2232	WG01L00285	PUSH BUTTON & CLIP ASM.
3046	WW02A00097	DRYER SCREW
3049	WG04F03491	TOPE PUERTA
3051	WW02L00029	HINGE
3102	WG04A00067	BUJE PARA SECADORA
3106	WG04L00501	SLEEVE BEARING
3127	WG04F00001	O RING
3356	WG04L07073	PLACA DE PARO
3360	WG04A00629	GUIA