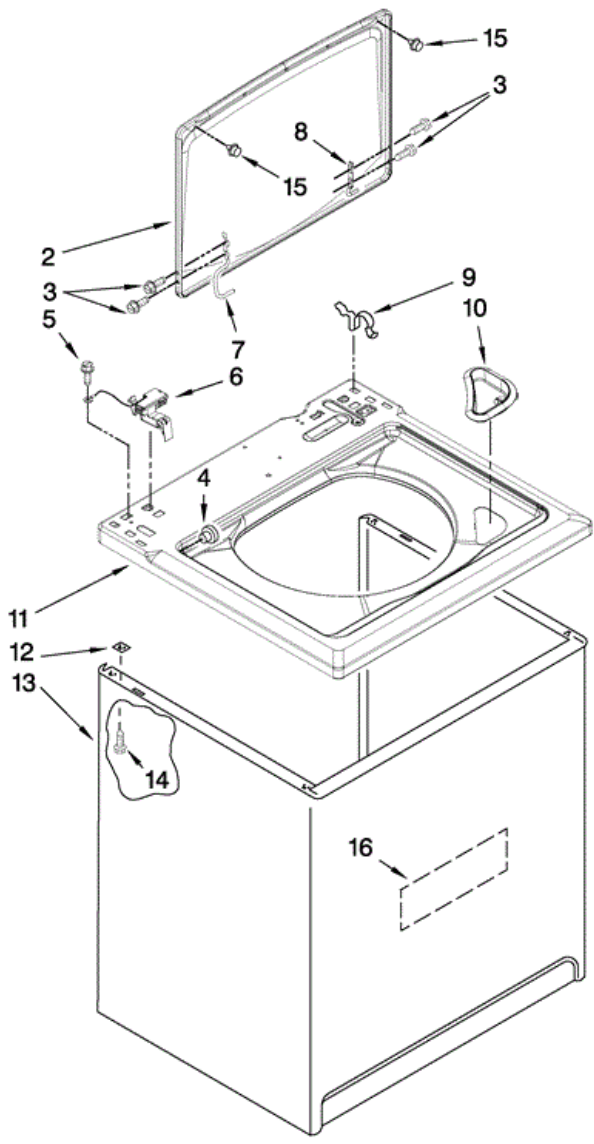


MVWC6ESWW1 GABINETE

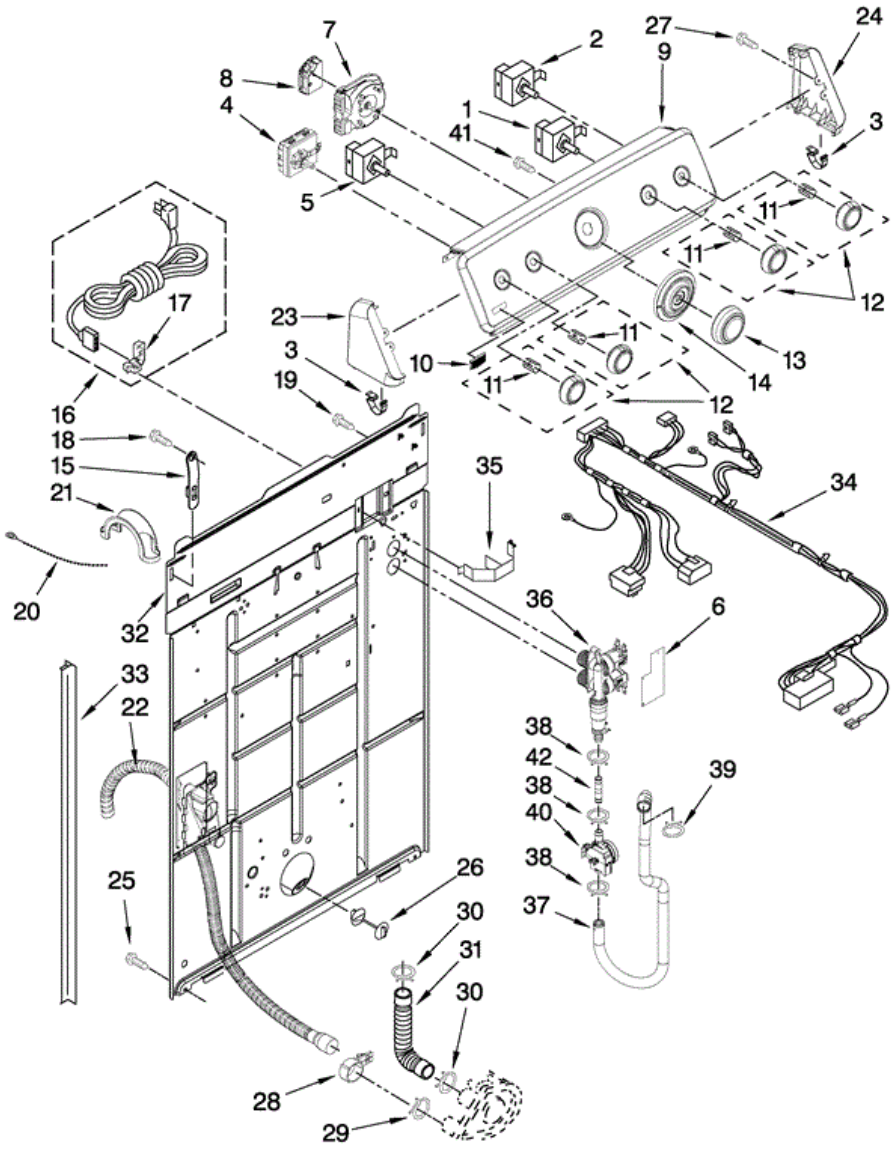




MVWC6ESW1 GABINETE

2	W10093782	LID
3	W10119828	SCREW, LID HINGE MOUNTING (4)
4	8319539	BEARING, LID HINGE (2)
5	3351614	SCREW, GROUND
6	8318084	SWITCH, LID
7	W10225136	HINGE, LID (L.H.)
8	91770	HINGE, LID (R.H.)
9	62780	CLIP, TOP & CABINET & REAR PANEL (2)
10	W10192089	DISPENSER, BLEACH
11	W10194868	TOP
12	62750	SPACER, CABINET TO TOP (4)
13	63424	CABINET
14	W10165554	SCREW, 10-16 X 3/8 (4)
15	9724509	BUMPER, LID (2)
16	W10177046	CABINET-DAMPER, SOUND

MVWC6ESWW1 TABLERO



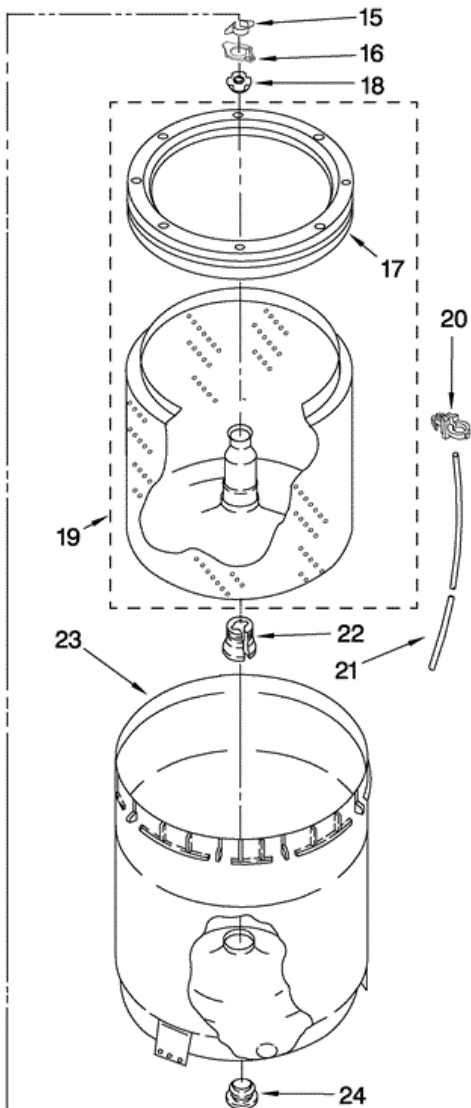
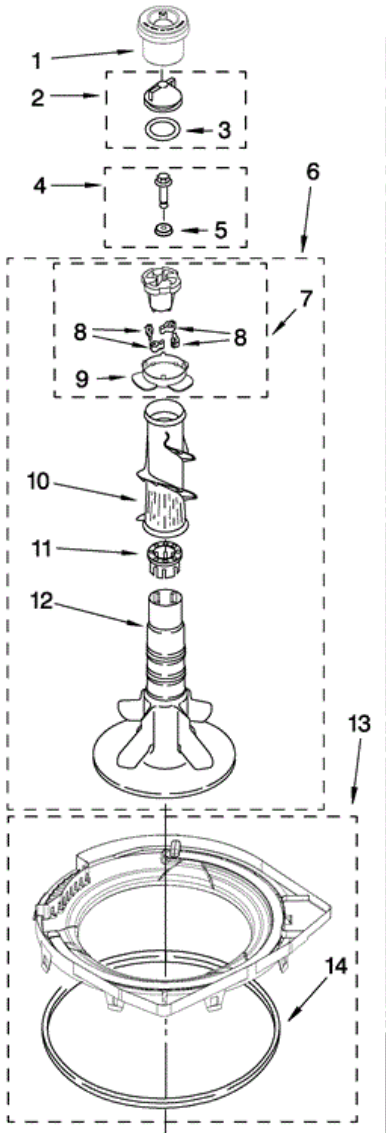


MVWC6ESWW1 TABLERO

1	8578416	SWITCH, ROTARY
2	3949180	SWITCH, ROTARY
3	8312709	CLIP-CONSOLE (2)
4	W10248240	ATC-AUTO LOAD SENSING SWITCH
5	3949180	SWITCH, ROTARY
6	W10245838	SHIELD, SUDS
7	W10243947	TIMER (MOTOR NOT A SERVICE PART)
8	W10104800	CIRCUIT BOARD, AGITATION DELAY
9	W10089738	PANEL, CONTROL (INCLUDES ITEM 10)
10	W10101390	BADGE, ASSEMBLY
11	8536939	CLIP, KNOB
12	W10180218	KNOB, CONTROL
13	W10180213	KNOB, TIMER
14	W10180214	DIAL, TIMER
15	8568314	STRAP, CONSOLE
16	8578842	CORD, POWER
17	3952821	STRAIN RELIEF, POWER CORD
18	9740848	SCREW, 8-18 X 1/2
19	3351614	SCREW, GROUND
20	3347868	CABLE TIE
21	8577378	U-BEND, DRAIN HOSE
22	W10189267	DRAIN HOSE ASSEMBLY (INCLUDES ITEM 28)
23	W10193824	CAP, END (L.H.) (INCLUDES ITEM 3)
24	W10193821	CAP, END (R.H.) (INCLUDES ITEM 3)
25	62863	SCREW, 10-16 X 3/8
26	8519200	SUPPORT, REAR PANEL
27	359625	SCREW, 8-18 X 1/2
28	8541668	CLAMP, HOSE
29	8317496	CLAMP, HOSE
30	3363366	CLAMP, HOSE
31	3951449	HOSE, PUMP TO TUB (INCLUDES ITEM 30)
32	W10194451	PANEL, REAR
33	62747	PAD, REAR PANEL

34	W10204122	HARNESS, WIRING (FOR DETAIL SEE PAGES 9 & 10)
35	8055003	CLIP, HARNESS & PRESSURE HOSE
36	W10175893	VALVE, WATER INLET
37	W10166732	HOSE, FLOWMETER TO TUB RING
38	W10185367	CLAMP, HOSE
39	W10117298	CLAMP, HOSE
40	W10176591	FLOWMETER
41	3400073	SCREW, GROUND
42	W10166731	HOSE, VALVE TO FLOWMETER

MVWC6ESW1 TINAS

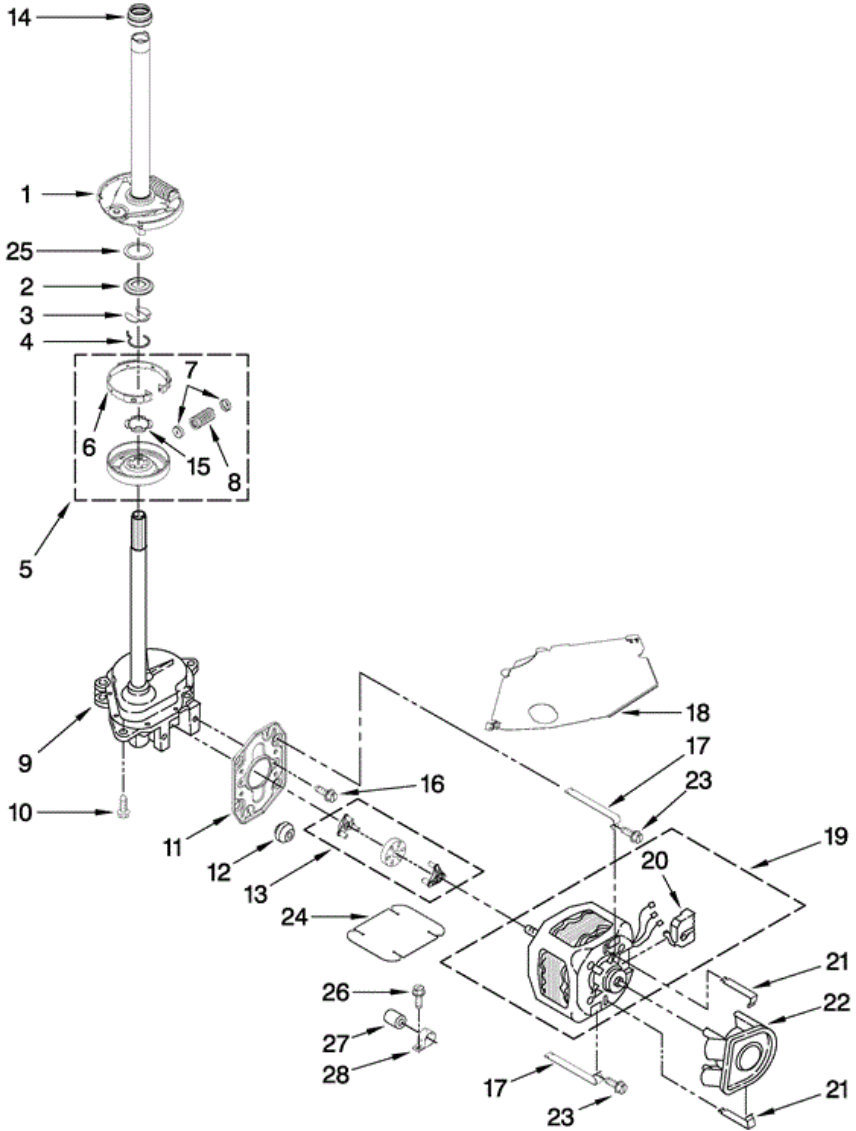




MVWC6ESWW1 TINAS

1	8575076	DISPENSER, FABRIC SOFTENER
2	3354733	CAP, BARRIER
3	W10072840	SEAL, INNER CAP
4	358237	SCREW & WASHER (5/16-24 X 1)
5	3949550	WASHER
6	W10093672	AGITATOR (COMPLETE)
7	3363663	CAM, DRIVEN
8	3366877	DOG, AGITATOR CLUTCH (4)
9	3363661	BEARING, DRIVEN CAM
10	3349019	CLOTHES MOVER
11	3350389	SPACER, THRUST
12	W10110020	AGITATOR
13	W10167984	TUB RING
14	3359585	GASKET, TUB RING
15	3354845	CLIP, AGITATOR
16	8543666	WASHER, AGITATOR
17	W10006326	BALANCE RING
18	W10116602	NUT, SPANNER
19	W10006327	BASKET & BALANCE RING
20	2219077	CLIP, PRESSURE SWITCH HOSE
21	W10240485	HOSE, PRESSURE SWITCH
22	389140	BLOCK, BASKET DRIVE
23	63849	TUB
24	383727	GASKET, CENTERPOST

MVWC6ESWW1 MOTOR

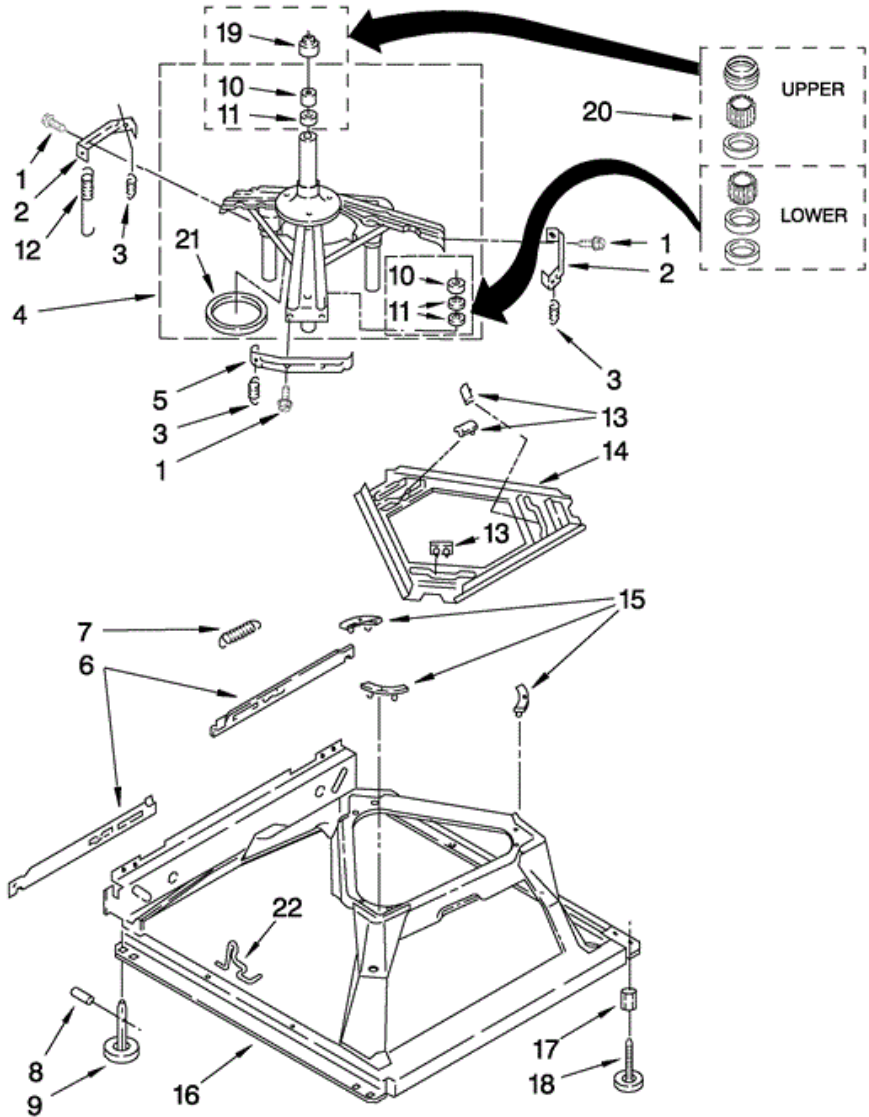




MVWC6ESWW1 MOTOR

1	388952	BRAKE & DRIVE TUBE (COMPLETE)
2	63292	WASHER, SPIN TUBE THRUST
3	62697	RING, SPIN TUBE SUPPORT
4	63283	RING, RETAINER
5	8299642	CLUTCH (COMPLETE)
6	3951993	BAND & LINING, CLUTCH
7	62646	CAP, CLUTCH SPRING (2)
8	8559387	SPRING, CLUTCH
9	W10251783	GEARCASE (COMPLETE)
10	3357334	SCREW, GEARCASE TO BASE (3)
11	62611	PLATE, MOTOR MOUNT TO GEARCASE
12	62691	GROMMET, MOTOR (4)
13	3978849	COUPLING, MOTOR & ISOLATION
14	8577374	SEAL
15	3355454	CLIP, ANTI- RATTLE
16	3400516	SCREW
17	W10086010	RETAINER, MOTOR (2)
18	3362089	SHIELD, TUB TO MOTOR
19	661600	MOTOR, MAIN DRIVE
20	62850	SWITCH, MAIN DRIVE MOTOR
21	8546127	RETAINER, PUMP (2)
22	3363394	PUMP (COMPLETE)
23	3387485	SCREW, 10-16 X 5/8
24	3946532	SHIELD, MOTOR
25	8578981	WASHER, THRUST
26	62863	SCREW, 10-16 X 3/8
27	8572717	CAPACITOR
28	3949496	CLAMP, CAPACITOR

MVWC6ESWW1 BASE

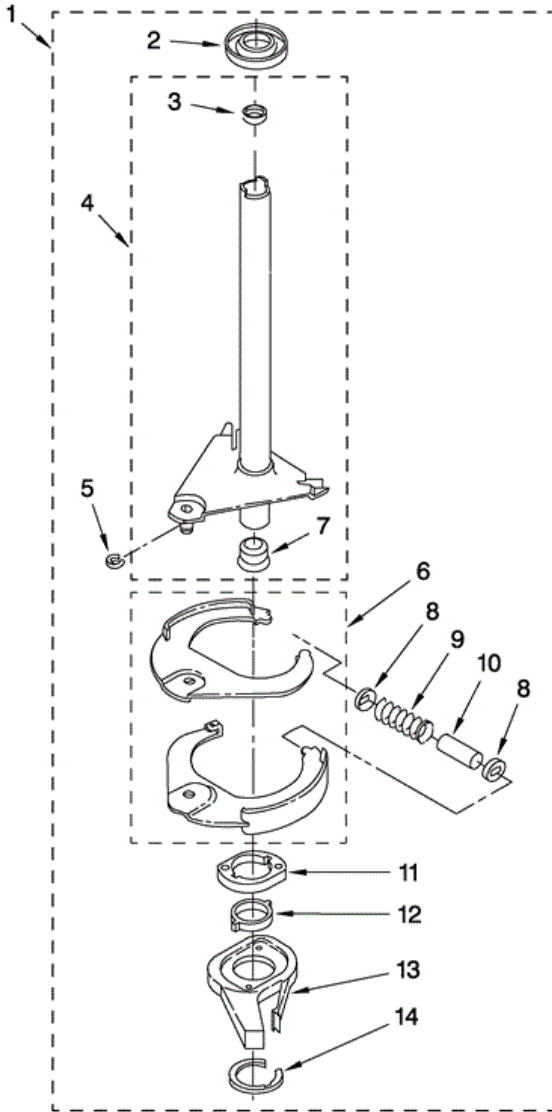




MVWC6ESWW1 BASE

1	3400076	SCREW, BRACKET MOUNTING (10-32 X 5/8)
2	64067	BRACKET, SPRING OUTER (2)
3	63907	SPRING, SUSPENSION(3)
4	8575214	SUPPORT & BRAKE, TUB
5	64065	BRACKET, SPRING OUTER (L.F.)
6	63466	LINK, LEVELING MECHANISM (2)
7	62597	SPRING, LEVELING MECHANISM
8	62837	PIN, KNURLED
9	62596	FOOT, REAR (2)
10	8546455	BEARING, CENTERPOST (2)
11	357409	SEAL, CENTERPOST (3)
12	388492	SPRING, COUNTERWEIGHT
13	62568	PAD, PLATE
14	3946509	PLATE, SUSPENSION (INCLUDES ITEM 13)
15	3363660	PAD, BASE
16	3946512	BASE ASSEMBLY
17	3359452	NUT, LOCK (2) (3/8-16)
18	W10001130	FOOT, FRONT (2)
19	8577376	SEAL, CENTERPOST
20	285203	CENTERPOST BEARING KIT
21	63134	RING, SOUND DEADENING
22	W10145155	RETAINER, SUSPENSION SPRING

MVWC6ESWW1 FLECHA HUECA

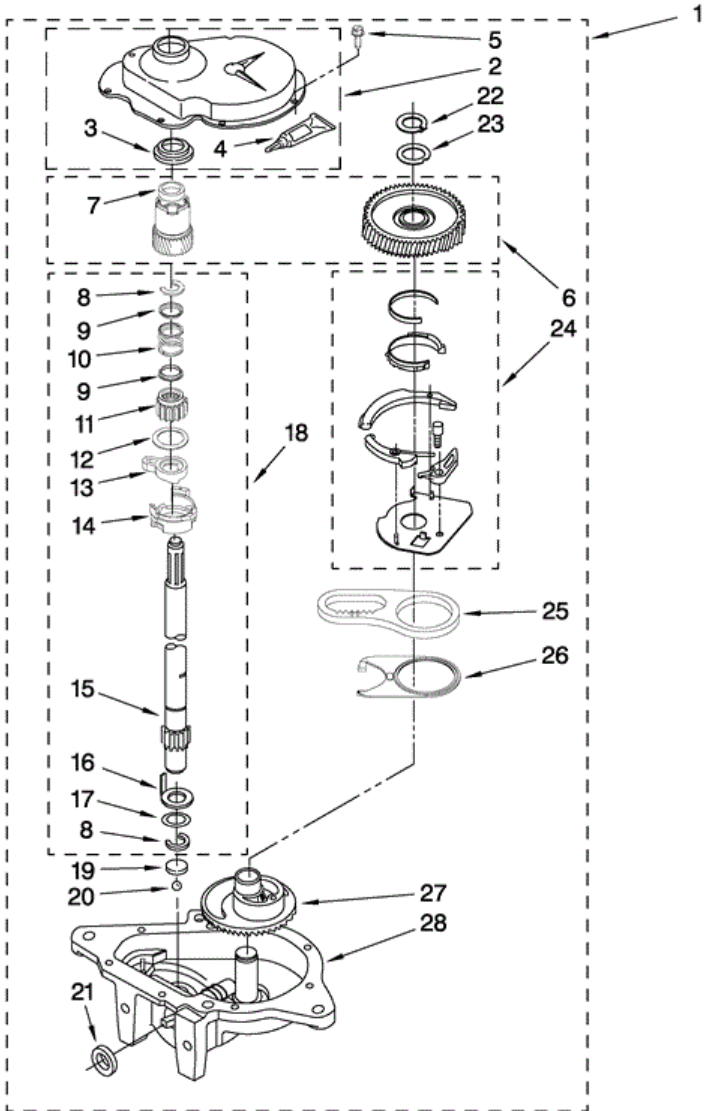




MVWC6ESWW1 FLECHA HUECA

1	388952	BRAKE AND DRIVE TUBE (COMPLETE)
2	62658	RING, THRUST
3	356427	SEAL, DRIVE TUBE
4	64027	TUBE, BASKET DRIVE (INCLUDES ILLUS. 3, 4, 5 & 9)
5	64035	RING, RETAINING
6	64232	SHOE, BRAKE (2)
7	62703	``T`` BEARING, SPIN TUBE
8	3353956	CAP, BRAKE SPRING (2)
9	387806	SPRING, BRAKE
10	3355360	SLEEVE, BRAKE SPRING
11	661516	CAM, BRAKE RELEASE
12	63022	SLEEVE, CAM
13	64194	DRIVER, BRAKE CAM
14	90368	RING, RETAINING
NI	285208	LUBRICANT

MVWC6ESWW1 TRANSMISION





MVWC6ESWW1 TRANSMISION

1	W10251783	GEARCASE (COMPLETE)
2	285202	COVER, GEARCASE
3	3349985	SEAL, GEARCASE COVER
4	285195	SEALER, GASKET (.20 FL. OZ.) (6 ML)
5	3351614	SCREW, GEARCASE COVER, MOUNTING (8)
6	W10172898	SPIN PINION & GEAR SPIN KIT
7		SEAL, SPIN PINION
8	90369	RING, RETAINING (2)
9	62677	RETAINER, SPRING (2)
10	62676	SPRING, AGITATE
11	W10110245	GEAR, AGITATE (INCLUDES ITEMS 15 & 17)
12	62619	WASHER, AGITATE GEAR
13	62580	CAM FOLLOWER (INCLUDES ITEM 14)
14	3976349	CAM, AGITATE (INCLUDES ITEM 13)
15	389231	SHAFT, AGITATOR
16	62618	WASHER, CAM THRUST
17	388815	WASHER, INTERMEDIATE
18	389387	SHAFT, AGITATOR (COMPLETE)
19	16018	BEARING, THRUST (INCLUDES ITEM 20)
20	85529	BALL BEARING (INCLUDES ITEM 19)
21	W10111745	SEAL, THRUST PLUG
22	3362552	RING, RETAINING
23	285766	WASHER KIT, THRUST
24	388253	NUETRAL ASSEMBLY
25	8546456	RACK, CONNECTING
26	62621	ACTUATOR, SHIFT
27		GEAR-MAIN DRIVE (NOT SERVICED SEPARATELY)
28		BOTTOM & PINION GEARCASE (NOT SERVICED)