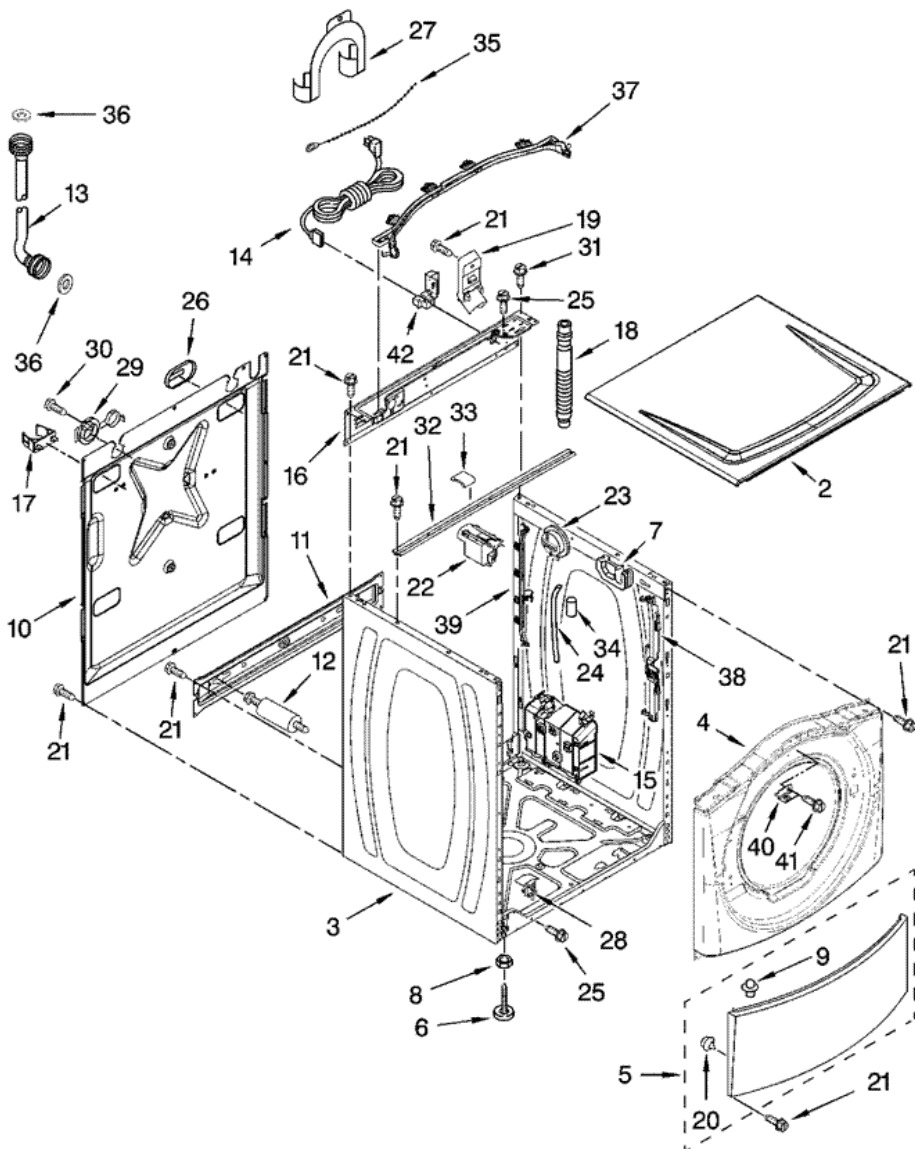


Distribuidor Autorizado

SurteRápido.com

Venta de Refacciones  
Electrodomesticas

## MWFW8300SW01 GABINETE



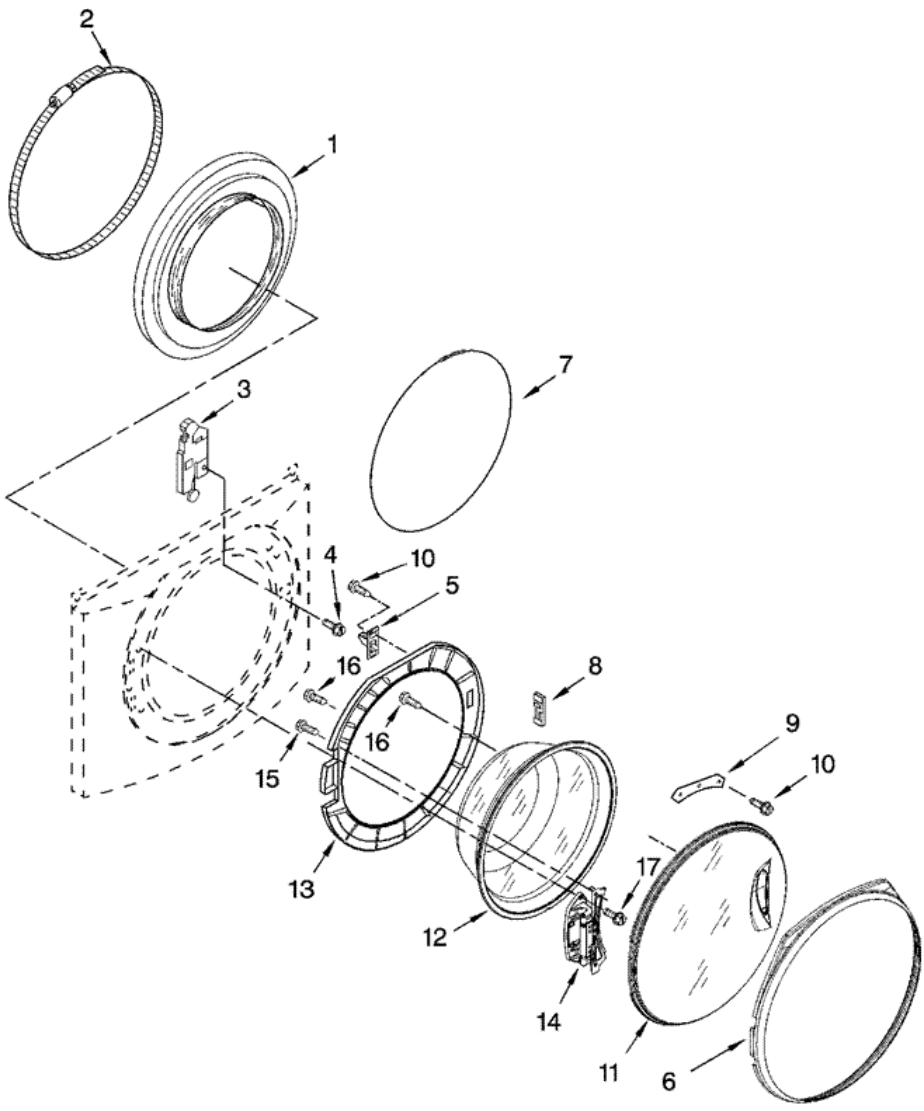


## MWWF8300SW01 GABINETE

2	8540716	TOP (S/P)
3	8540548	CABINET (S/P)
4	8540746	PANEL, FRONT (S/P)
5	8540664	TOE PANEL (S/P)
6	389102	FOOT, LEVELING (4)
7	8540643	BRACKET, SPRING (S/P)
8	3359452	NUT, LOCK (4) (S/P)
9	8518891	RIVET (2) (S/P)
10	8540582	PANEL, REAR (S/P)
11	8540583	BRACE, TRANSPORT (S/P)
12	279993	BOLT, SHIPPING (4) (S/P)
13	89503	HOSE, WATER INLET (BLUE COUPLER)
13	89503	HOSE, WATER INLET (RED COUPLER)
14	8182649	CORD, POWER (S/P)
15	8540135	MOTOR CONTROL UNIT (S/P)
16	8540974	BRACE, REAR (S/P)
17	8540093	CLAMP, TUBE TRANSPORTATION (S/P)
18	8540011	HOSE, DRAIN (S/P)
19	8540607	RETAINER, HOSE OUTLET (S/P)
20	238614	BUMPER (2) (S/P)
21	489442	SCREW, 8-18 X 5/8 (S/P)
22	8540230	FILTER, INTERFERENCE
23	W10163980	SWITCH, PRESSURE
24	8540294	HOSE, PRESSURE SWITCH (S/P)
25	8540479	SCREW, GROUNDING (S/P)
26	8540268	COVER, TRANSPORT (S/P)
27	8540021	U-BEND, DRAIN HOSE (S/P)
28	W10085220	MICROSWITCH (2) (S/P)
29	8182699	SLEEVE, CORD SUPPORT (2) (S/P)
30	8540727	SCREW, 3 X 8 MM (S/P)
31	8540329	SCREW (S/P)
32	8540720	BRACE, TOP (INCLUDES ITEM 33) (S/P)
33	8283273	DAMPER, BRACE (S/P)

34	2162499	SLEEVE, PRESSURE SWITCH HOSE (S/P)
35	3347868	CABLE TIE (S/P)
36	16123	WASHER, WATER INLET HOSE (4) (S/P)
37	8540290	HARNESS CHANNEL, TOP REAR (S/P)
38	8540288	HARNESS CHANNEL, SIDE FRONT (S/P)
39	8540289	HARNESS CHANNEL, SIDE REAR (S/P)
40	8540669	BRACKET, CONSOLE RETAINER (S/P)
41	8533954	SCREW (S/P)
42	8182635	STRAIN RELIEF, POWER CORD (S/P)

**MWFW8300SW01 PUERTA**

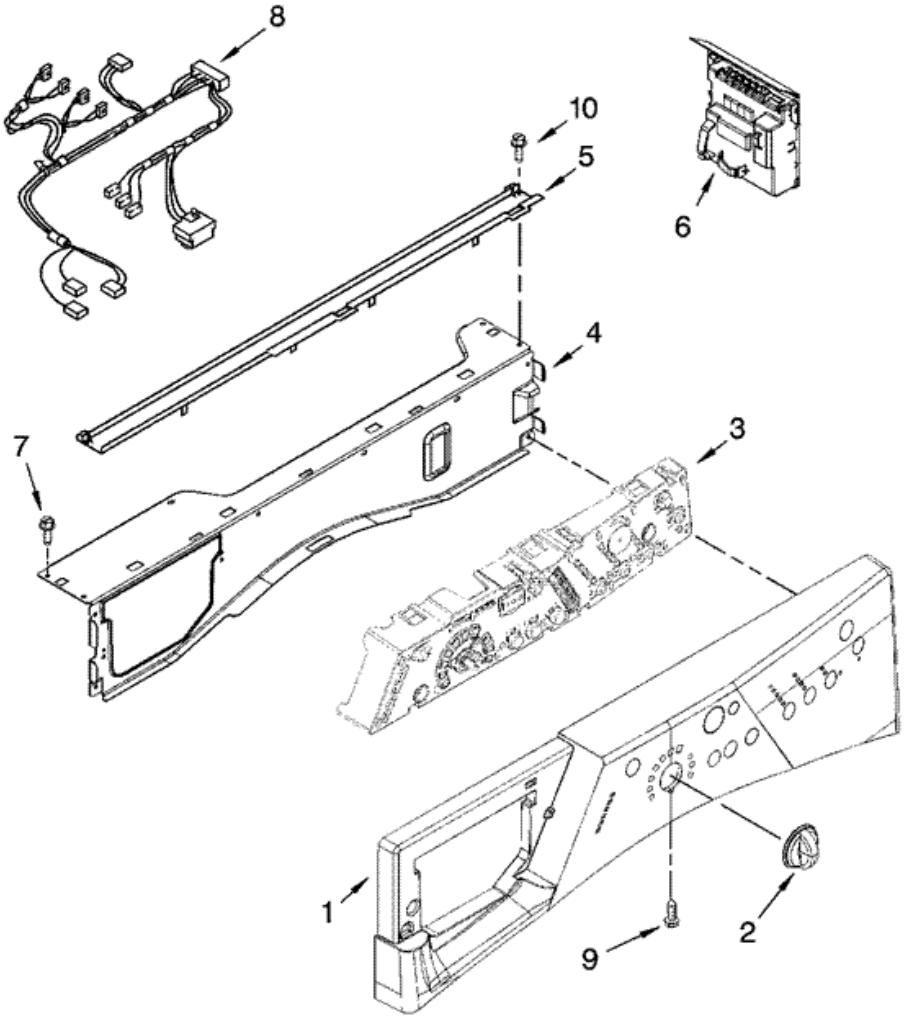




## MWFW8300SW01 PUERTA

1	8540952	BELLOW
2	8540108	CLAMP, BELLOW (S/P)
3	8540772	LOCK, DOOR
4	8540725	SCREW (S/P)
5	8540221	HOOK, DOOR (S/P)
6	8540533	TRIM RING, OUTER DOOR (S/P)
7	8540107	CLAMP, BELLOW (FRONT) (S/P)
8	8540115	CLAMP, SUPPORT
9	8540114	CLAMP, GLASS (2) (S/P)
10	8540513	SCREW (S/P)
11	8540588	FRAME, DOOR FRONT ASSEMBLY (S/P)
12	8540428	GLASS, DOOR (S/P)
13	8540891	DOOR, BACK SUPPORT (S/P)
14	8540416	HINGE, DOOR (S/P)
15	8540284	SCREW (S/P)
16	8540282	SCREW (S/P)
17	W10015090	SCREW (S/P)

MFWW8300SW01 TABLERO

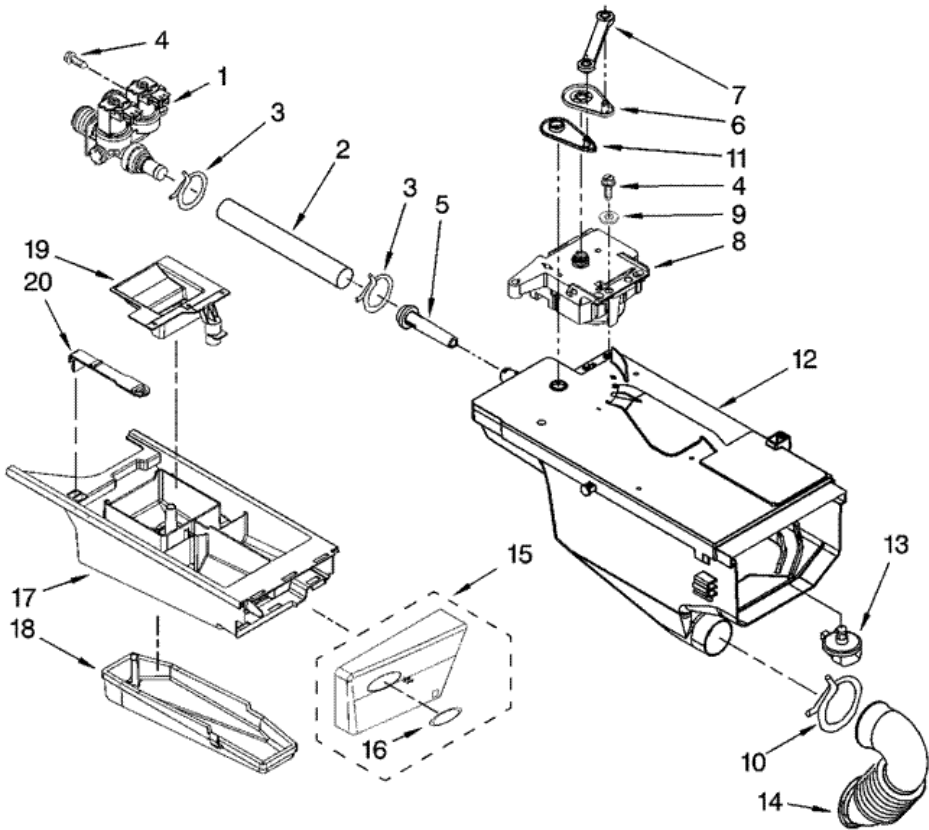




## MWFW8300SW01 TABLERO

1	W10099593	PANEL, CONTROL (S/P)
2	8574963	KNOB, CONTROL (S/P)
3	8571903	USER INTERFACE (S/P)
4	8540558	BRACE, TOP FRONT (S/P)
5	8540839	CHANNEL, WATER (S/P)
6	W10205839	MICROCOMPUTER, MACHINE CONTROL
7	3390647	SCREW, 8-18 X 1/2 (S/P)
8	W10118622	HARNESS, WIRING (MAIN) (S/P)
9	8540282	SCREW (S/P)
10	W10015090	SCREW, 8-18 X 5/8 (S/P)

**MWFW8300SW01 DEPOSITO DETERGENTE**



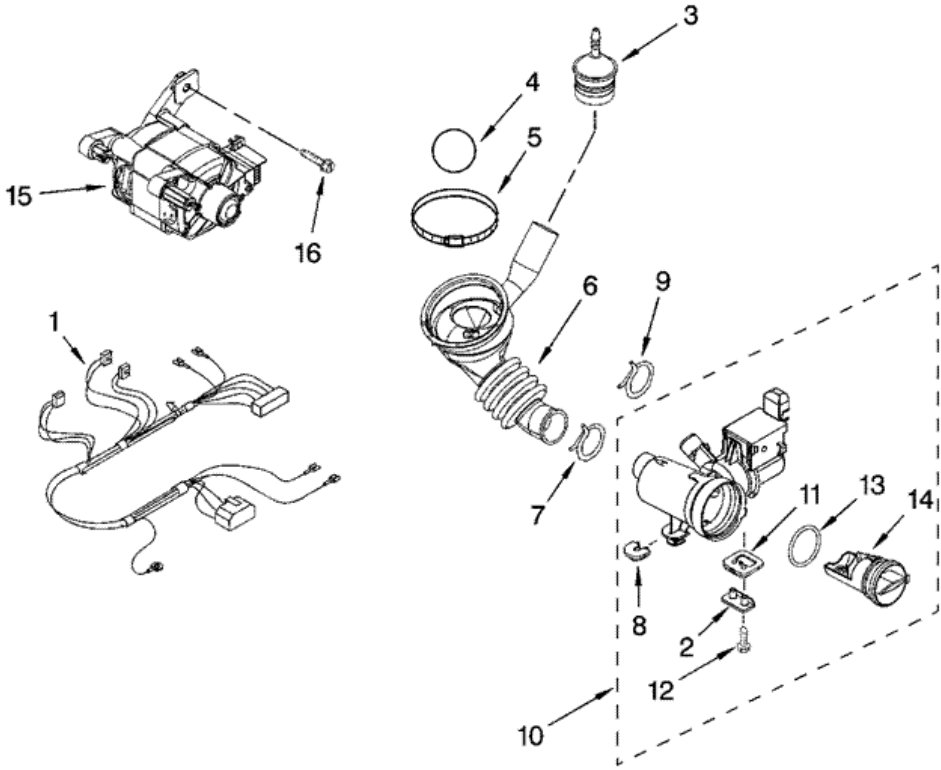




**MWFW8300SW01 DEPOSITO  
DETERGENTE**

1	8540043	VALVE, INLET
2	8540065	HOSE, VALVE TO DISPENSER
3	596669	CLAMP, HOSE (S/P)
4	8540282	SCREW, VALVE MTG. (S/P)
5	8183181	NOZZLE, INLET (S/P)
6	8540393	CAM, ACTUATOR (S/P)
7	8540394	LEVER, WATER DISTRIBUTION (S/P)
8	8540041	ACTUATOR
9	8526417	WASHER (S/P)
10	8281276	CLAMP, HOSE (S/P)
11	8540395	CONNECTION, LEVER (S/P)
12	8540058	DISPENSER (S/P)
13	8540053	NOZZLE, DISTRIBUTION (S/P)
14	8540063	HOSE, DISPENSER TO TUB
15	8571947	HANDLE, DRAWER (S/P)
16	8303811	MEDALLION (S/P)
17	8540402	DRAWER, DETERGENT
18	8540399	COVER, DETERGENT DRAWER (S/P)
19	8540429	SIPHON, BLEACH/SOFTENER (S/P)
20	8181721	HOOK, DRAWER (S/P)

**MFWW8300SW01 BOMBA/MOTOR**





## MFWW8300SW01 BOMBA/MOTOR

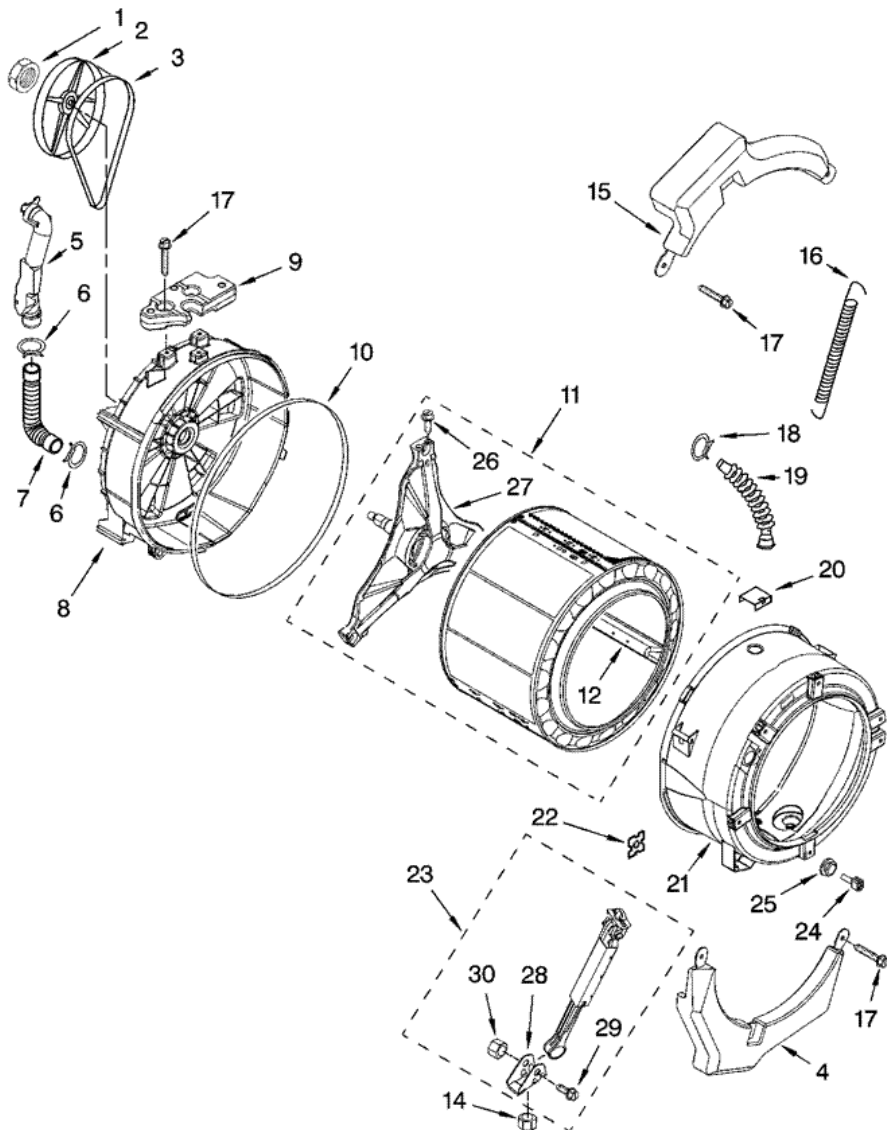
1	8540704	HARNESS, MOTOR <b>(S/P)</b>
2	8540033	CAP, LOCK FOOT <b>(S/P)</b>
3	8540180	AIR TRAP <b>(S/P)</b>
4	8540013	BALL <b>(S/P)</b>
5	8540008	CLAMP <b>(S/P)</b>
6	8540012	HOSE, TUB TO PUMP <b>(S/P)</b>
7	616099	CLAMP <b>(S/P)</b>
8	W10034820	FOOT, RUBBER (SLIDER) <b>(S/P)</b>
9	356138	CLAMP, HOSE <b>(S/P)</b>
10	W10130913	PUMP (COMPLETE)
11	W10034830	FOOT, RUBBER (LOCK) <b>(S/P)</b>
12	8533964	SCREW, 10-16 X 1.25 (2) <b>(S/P)</b>
13	8540025	SEAL, FILTER CAP <b>(S/P)</b>
14	8540996	FILTER ASSEMBLY (INCLUDES ITEM 13) <b>(S/P)</b>
15	8540133	MOTOR, DRIVE <b>(S/P)</b>
16	8540134	BOLT, MOTOR <b>(S/P)</b>

Distribuidor Autorizado

SurteRápido.com

Venta de Refacciones  
Electrodomesticas

MFW8300SW01 TINA





**MFWW8300SW01 TINA**

1	8533999	NUT, PULLEY (S/P)
2	8540088C	PULLEY (S/P)
3	8540101	BELT, DRIVE (S/P)
4	8540600	COUNTERWEIGHT, FRONT LOWER (S/P)
5	8540019	PIPE, VENTILATION
6	8540010	CLAMP, VENT HOSE (S/P)
7	8540019	HOSE, EXHAUST
8	280251	TUB, REAR (INCLUDES ITEMS 10 & 22) (S/P)
9	8540602	COUNTERWEIGHT, REAR (S/P)
10	8540090	GASKET, TUB (S/P)
11	8540451	BASKET, COMPLETE (S/P)
12	8540456	BAFFLE, TUB (S/P)
14	8534084	NUT, SHOCK ABSORBER MOUNTING (S/P)
15	8540598	COUNTERWEIGHT, FRONT UPPER (S/P)
16	280159	SPRING, SUSPENSION (SET OF 2) (S/P)
17	W10094780	BOLT, COUNTERWEIGHT MTG. (S/P)
18	3363365	CLAMP (S/P)
19	8540015	HOSE, EXHAUST
20	8540092	CLAMP, TUB (S/P)
21	280251	TUB, FRONT (INCLUDES ITEMS 10 & 22) (S/P)
22	8182512	NUT, PUSH-IN (S/P)
23	W10084740	SHOCK ABSORBER (S/P)
24	8181705	NEGATIVE THERMISTOR CONTROL (S/P)
25	8540766	SEAL, RUBBER (S/P)
26	8540382	SCREW (S/P)
27	8540457	CROSSPIECE ASM (S/P)
28	8540940	BRACKET, SHOCK ABSORBER MOUNTING (S/P)
29	8540841	BOLT, SHOCK BRKT. (S/P)
30	8540842	NUT, SHOCK BRKT. (S/P)