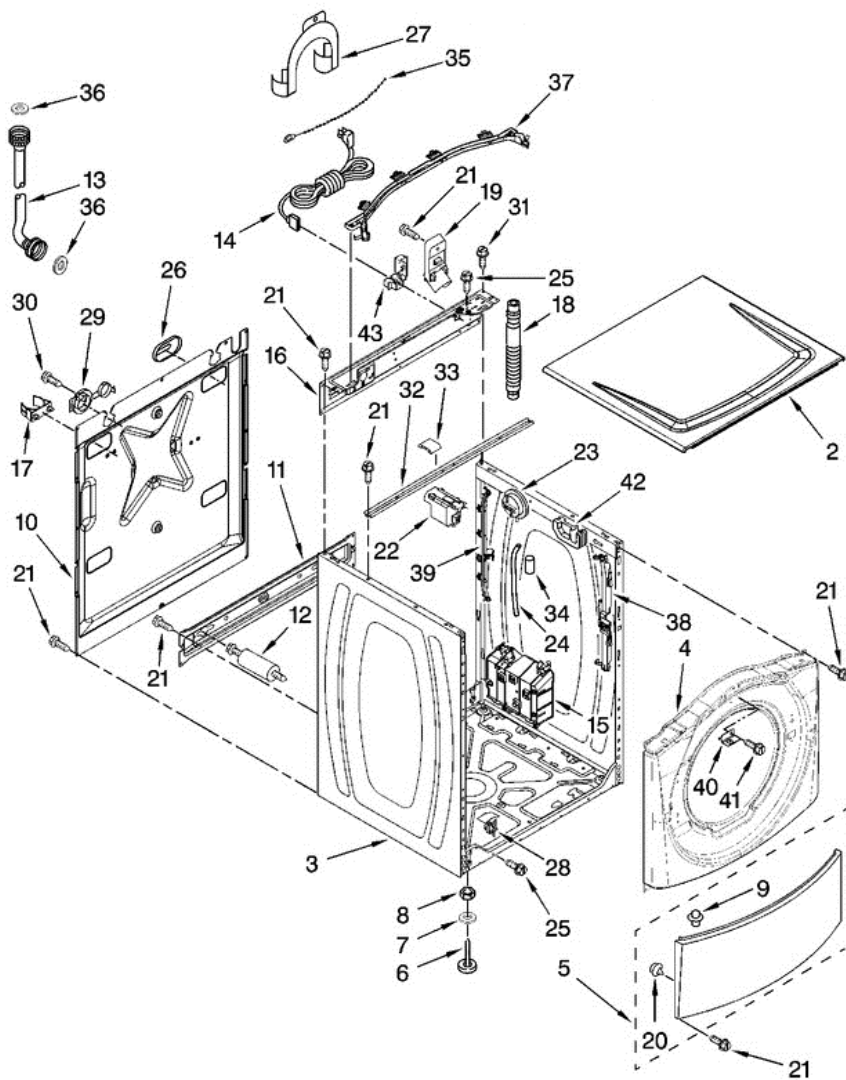


Distribuidor Autorizado

SurteRápido.com

Venta de Refacciones
Electrodomesticas

MWFW8300SW02 GABINETE



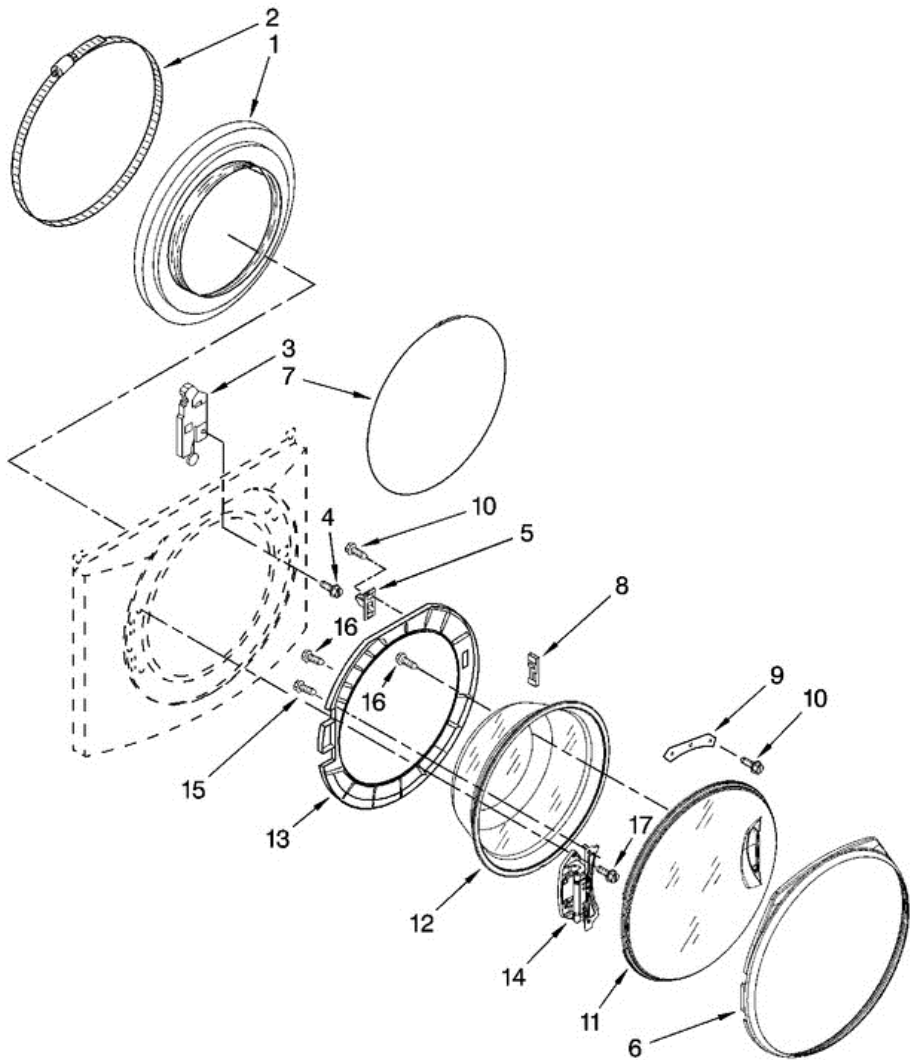


MWWF8300SW02 GABINETE

2	8540716	TOP
3	8540548	CABINET
4	8540572	PANEL, FRONT
5	8540813	TOE PANEL
6	W10001130	FOOT, LEVELING (4)
7	487576	WASHER, PLASTIC
8	3359452	NUT, LOCK (4)
9	8518891	RIVET (2)
10	8540582	PANEL, REAR
11	8540583	BRACE, TRANSPORT
12	8540199	BOLT, SHIPPING (4)
13	8571377	HOSE, WATER INLET (BLUE COUPLER)
13	8571378	HOSE, WATER INLET (RED COUPLER)
14	8182120	CORD, POWER
15	8540135	MOTOR CONTROL UNIT
16	8540974	BRACE, REAR
17	8540093	CLAMP, TUBE TRANSPORTATION
18	W10114608	HOSE, DRAIN
19	8540607	RETAINER, HOSE OUTLET
20	238614	BUMPER (2)
21	W10015090	SCREW, 8-18 X 5/8
22	8540230	FILTER, INTERFERENCE
23	8540224	SWITCH, PRESSURE
24	8540294	HOSE, PRESSURE SWITCH
25	8540479	SCREW, GROUNDING
26	8540268	COVER, TRANSPORT
27	8540021	U-BEND, DRAIN HOSE
28	W10085220	MICROSWITCH (2)
29	8540728	SLEEVE, CORD SUPPORT (2)
30	8540727	SCREW, 3 X 8 MM
31	8540329	SCREW
32	8540720	BRACE, TOP (INCLUDES ITEM 33)
33	8283273	DAMPER, BRACE

34	2161302	SLEEVE, PRESSURE SWITCH HOSE
35	3347868	CABLE TIE
36	16123	WASHER, WATER INLET HOSE (4) (1-1/16 X 5/8)
37	8540290	HARNESS CHANNEL, TOP REAR
38	8540288	HARNESS CHANNEL, SIDE FRONT
39	8540289	HARNESS CHANNEL, SIDE REAR
40	8540669	BRACKET, CONSOLE RETAINER
41	8533954	SCREW
42	8540643	BRACKET, SPRING
43	W10110676	STRAIN RELIEF, POWER CORD

MWFW8300SW02 PUERTA

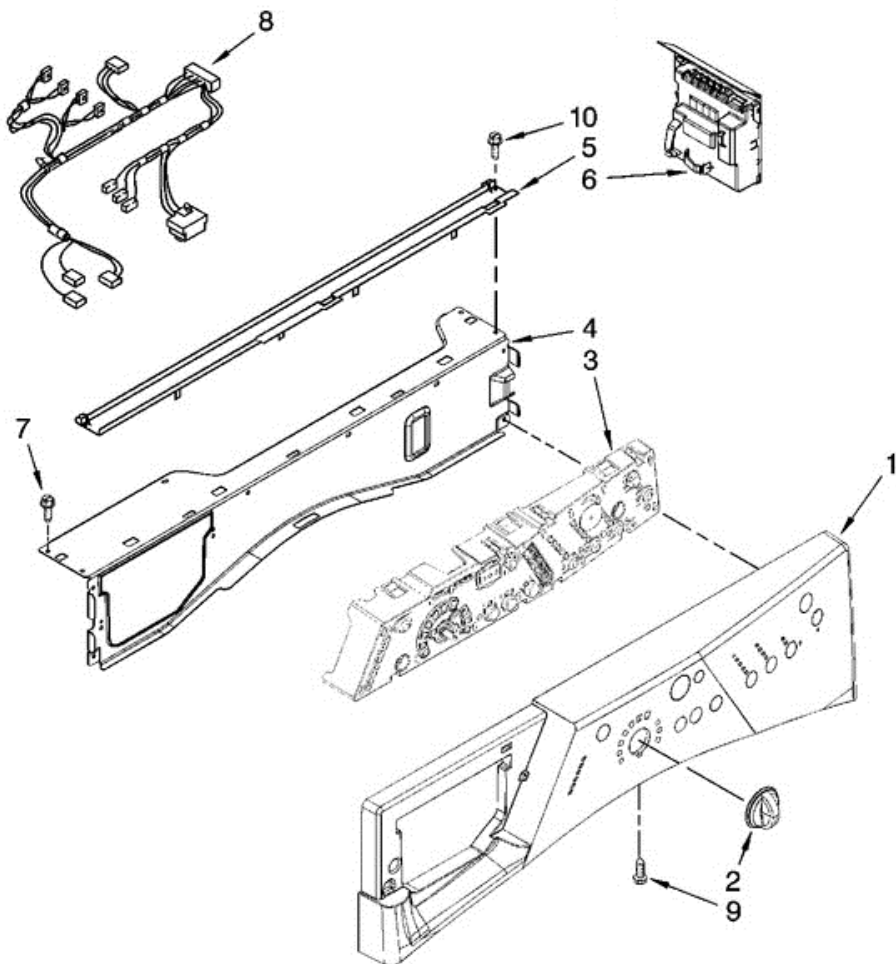




MWFW8300SW02 PUERTA

1	8540952	BELLOW
2	8540108	CLAMP, BELLOW
3	8540772	LOCK, DOOR
4	8540725	SCREW
5	8540221	HOOK, DOOR
6	8540533	TRIM RING, OUTER DOOR
7	8540107	CLAMP, BELLOW (FRONT)
8	8540115	CLAMP, SUPPORT
9	8540114	CLAMP, GLASS (2)
10	8540513	SCREW
11	8540588	FRAME, DOOR FRONT ASSEMBLY
12	8540428	GLASS, DOOR
13	8540891	DOOR, BACK SUPPORT
14	8540416	HINGE, DOOR
15	8540284	SCREW
16	8540282	SCREW
17	W10015090	SCREW

MWFW8300SW02 TABLERO

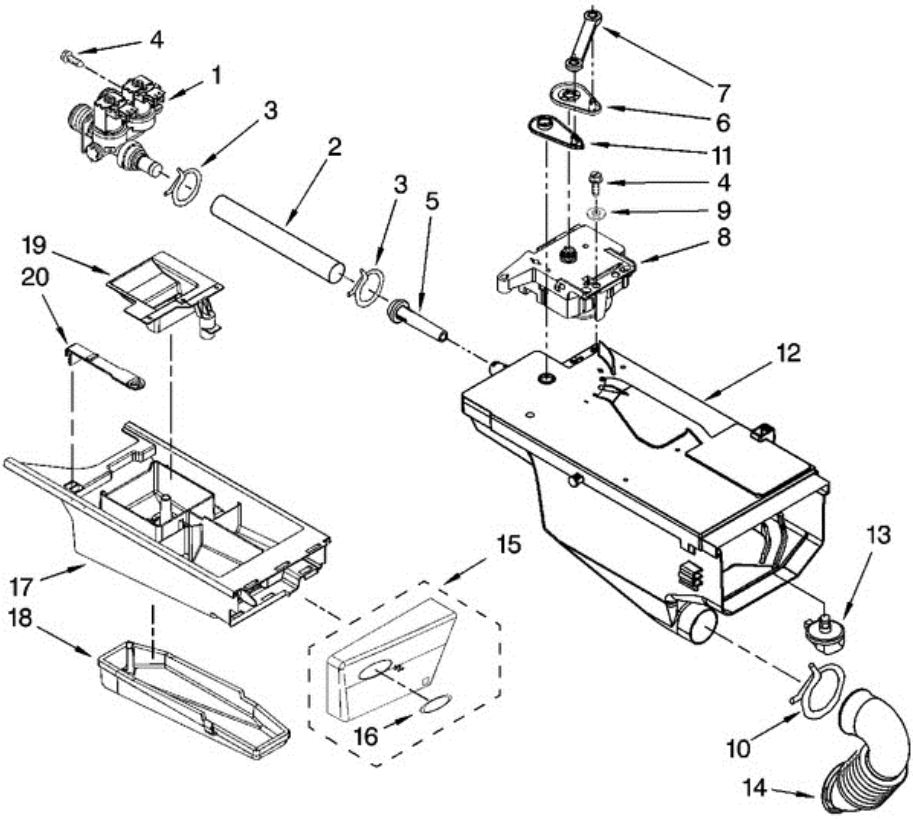




MFW8300SW02 TABLERO

1	W10099593	PANEL, CONTROL
2	8574963	KNOB, CONTROL
3	8571903	USER INTERFACE
4	8540558	BRACE, TOP FRONT
5	8540839	CHANNEL, WATER
6	W10110072	MICROCOMPUTER, MACHINE CONTROL
7	3390647	SCREW, 8-18 X 1/2
8	W10118622	HARNESS, WIRING (MAIN)
9	8540282	SCREW
10	W10015090	SCREW, 8-18 X 5/8

MWFW8300SW02 DISPENSADOR

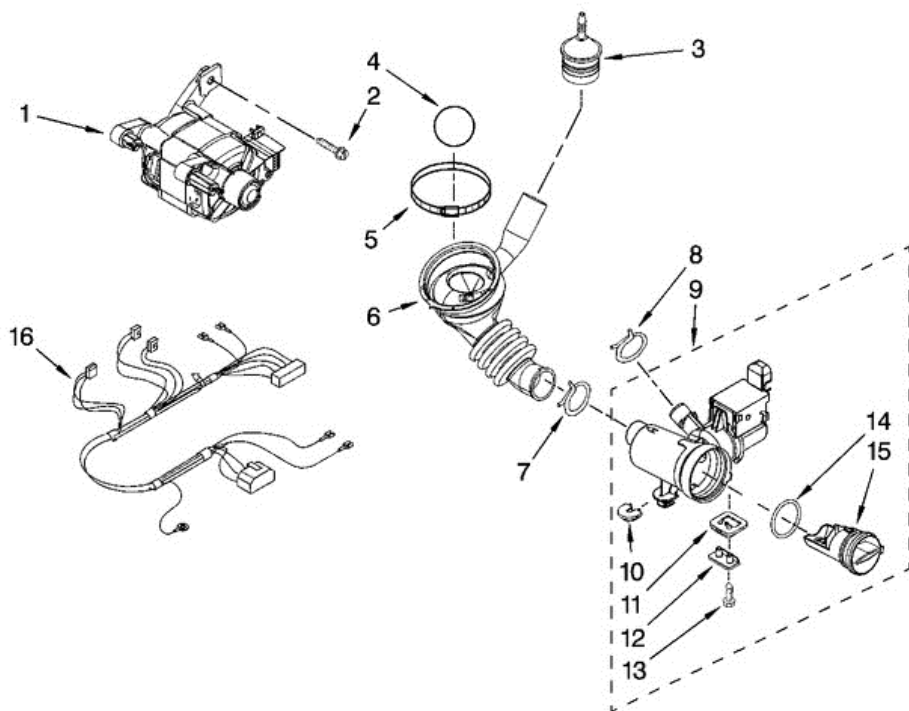




MWWF8300SW02 DISPENSADOR

1	8540751	VALVE, INLET
2	8540065	HOSE, VALVE TO DISPENSER
3	370450	CLAMP, HOSE
4	8540282	SCREW, VALVE MTG.
5	8540042	NOZZLE, INLET
6	8540393	CAM, ACTUATOR
7	8540394	LEVER, WATER DISTRIBUTION
8	8540041	ACTUATOR
9	VS611	WASHER
10	8281276	CLAMP, HOSE
11	8540395	CONNECTION, LEVER
12	8540058	DISPENSER
13	8540053	NOZZLE, DISTRIBUTION
14	8540063	HOSE, DISPENSER TO TUB
15	8571947	HANDLE, DRAWER
16	8303811	MEDALLION
17	8540402	DRAWER, DETERGENT
18	8540399	COVER, DETERGENT DRAWER
19	8540429	SIPHON, BLEACH/SOFTENER
20	8540400	HOOK, DRAWER

MWFW8300SW02 MOTOR / BOMBA

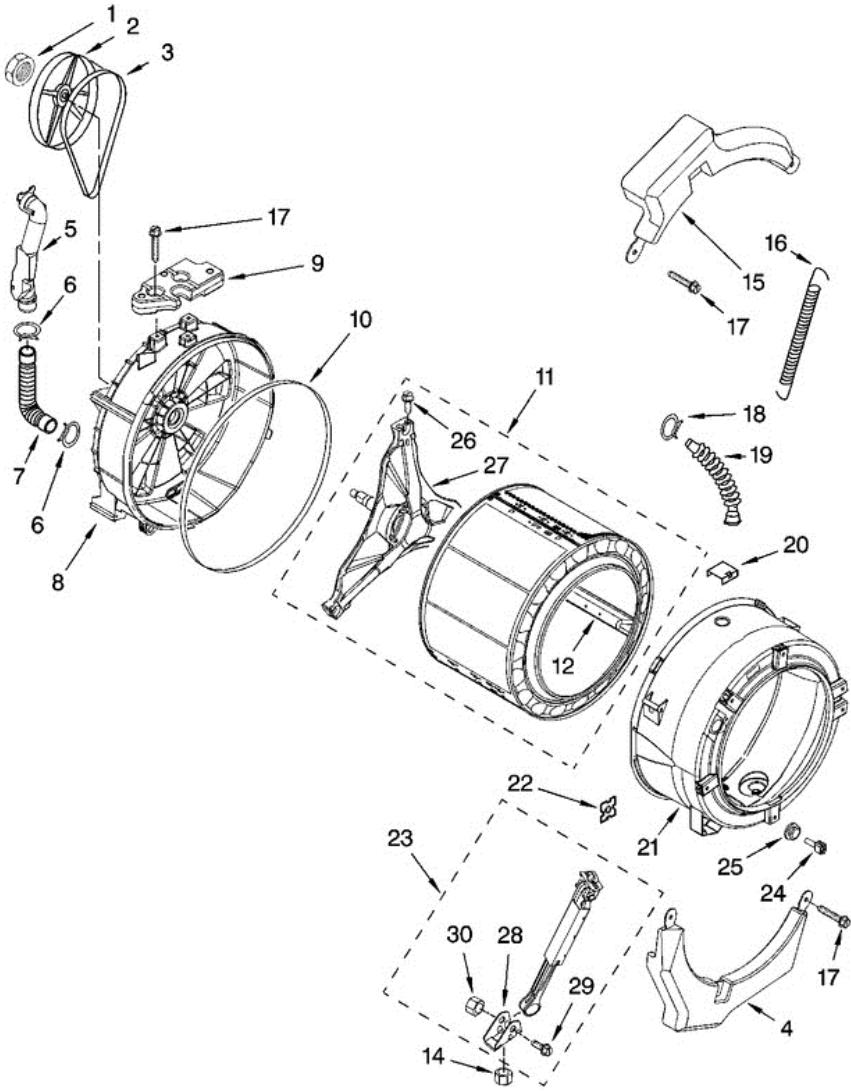




MWFW8300SW02 MOTOR / BOMBA

1	8540133	MOTOR, DRIVE
2	8540134	BOLT, MOTOR
3	8540180	AIR TRAP
4	8540013	BALL
5	8540008	CLAMP
6	8540012	HOSE, TUB TO PUMP
7	370448	CLAMP, HOSE
8	356138	CLAMP, DRAIN HOSE
9	8540024	PUMP (COMPLETE)
10	W10034820	FOOT, RUBBER (SLIDER)
11	W10034830	FOOT, RUBBER (LOCK)
12	8540033	CAP, LOCK FOOT
13	8533964	SCREW, 10-16 X 1.25 (2)
14	8540025	SEAL, FILTER CAP
15	8540996	FILTER ASSEMBLY (INCLUDES ITEM 14)
16	8540704	HARNESS, MOTOR

MFWF8300SW02 TAMBOR





MWFW8300SW02 TAMBOR

1	8533999	NUT, PULLEY
2	8540088C	PULLEY
3	8540101	BELT, DRIVE
4	8540600	COUNTERWEIGHT, FRONT LOWER
5	W10112169	PIPE, VENTILATION
6	8540010	CLAMP, VENT HOSE
7	8540019	HOSE, EXHAUST
8	W10112658	TUB, REAR (INCLUDES ITEMS 10 & 22)
9	8540602	COUNTERWEIGHT, REAR
10	8540090	GASKET, TUB
11	8540451	BASKET, COMPLETE
12	8540456	BAFFLE, TUB
14	8534084	NUT, SHOCK ABSORBER MOUNTING
15	8540598	COUNTERWEIGHT, FRONT UPPER
16	W10010360	SPRING, SUSPENSION (SET OF 2)
17	W10094780	BOLT, COUNTERWEIGHT MTG.
18	3363365	CLAMP
19	8540015	HOSE, EXHAUST
20	8540092	CLAMP, TUB
21	W10112659	TUB, FRONT (INCLUDES ITEMS 10 & 22)
22	8540072	NUT, PUSH-IN
23	W10084740	SHOCK ABSORBER
24	8540226	NEGATIVE THERMISTOR CONTROL
25	8540766	SEAL, RUBBER
26	8540382	SCREW
27	8540457	CROSSPIECE ASM
28	8540940	BRACKET, SHOCK ABSORBER MOUNTING
29	8540841	BOLT, SHOCK BRKT.
30	8540842	NUT, SHOCK BRKT.