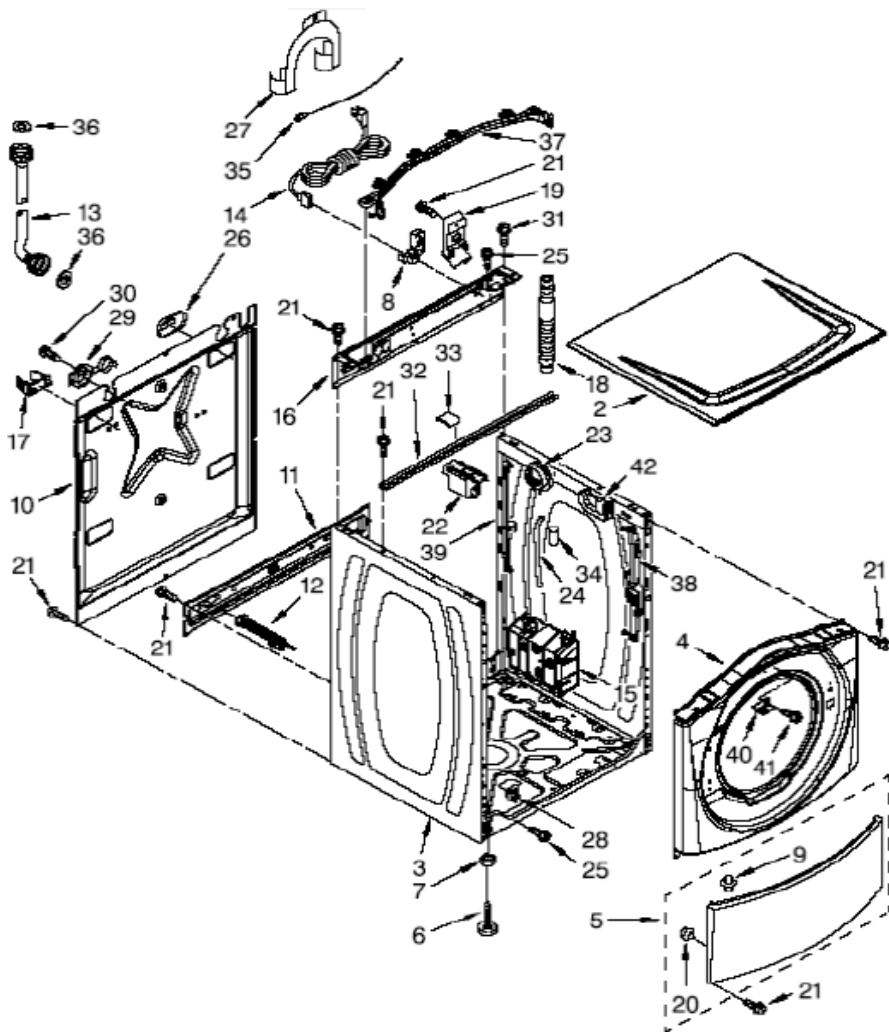


Distribuidor Autorizado

SurteRápido.com

Venta de Refacciones
Electrodomesticas

MFW8500SR03 GABINETE



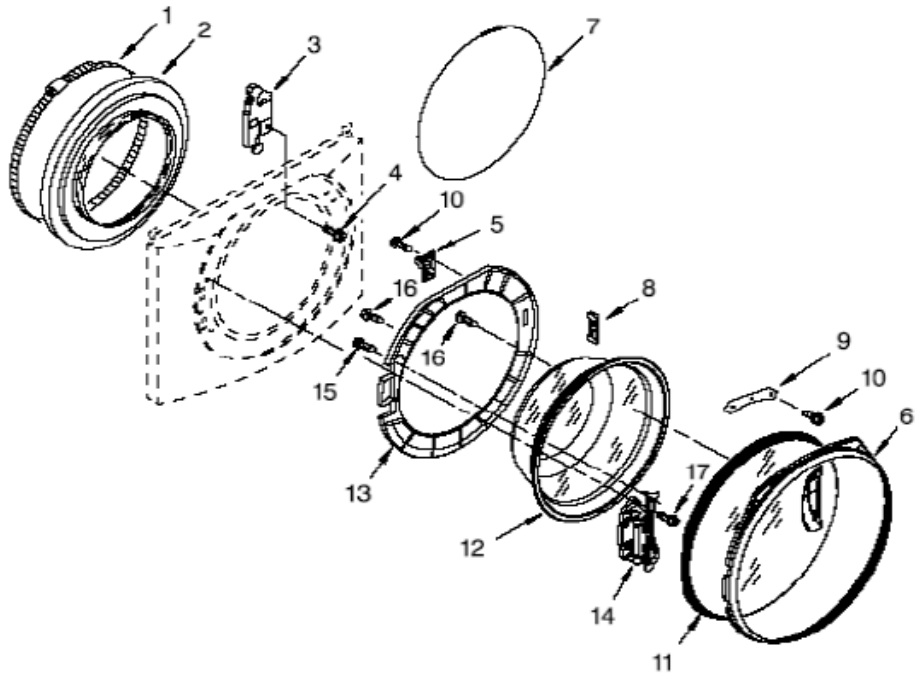


MFWW8500SR03 GABINETE

2	8540716	TOP
3	W10201831	CABINET
4	8540572	PANEL, FRONT
5	8540813	TOE PANEL
6	W10121677	FOOT, LEVELING
7	3359452	NUT, LOCK
8	W10110676	STRAIN RELIEF, POWER CORD
9	8518891	RIVET
10	8540580	PANEL, REAR
11	W10189657	BRACKET, TRANSPORT
12	8540199	BOLT, SHIPPING
13	W10194208	HOSE, WATER INLET BLUE COUPLER
13	8571378	HOSE, WATER INLET RED COUPLER
14	W10205499	CORD, POWER
15	W10163007	MOTOR CONTROL UNIT
16	W10161694	BRACE, REAR
17	8540093	CLAMP, TUBE TRANSPORTATION
18	W10114608	HOSE, DRAIN
19	8540607	RETAINER, HOSE OUTLET
20	238614	BUMPER
21	W10015090	SCREW, 8-18 X 39576
22	8540230	FILTER, INTERFERENCE
23	W10163980	SWITCH, PRESSURE
24	8540294	HOSE, PRESSURE SWITCH
25	8540479	SCREW, GROUNDING
26	8540268	COVER, TRANSPORT
27	8540021	U-BEND, DRAIN HOSE
28	W10085220	MICROSWITCH
29	8540728	SLEEVE, CORD SUPPORT
31	8540329	SCREW
32	8540721	BRACE, TOP (INCLUDES ITEM 33)
33	8283273	DAMPER, BRACE
34	2161302	SLEEVE, PRESSURE SWITCH HOSE

35	3347868	CABLE TIE
36	16123A	WASHER, WATER INLET HOSE
37	W10168548	HARNESS CHANNEL, TOP REAR
38	W10168546	HARNESS CHANNEL, SIDE FRONT
39	W10168547	HARNESS CHANNEL, SIDE REAR
40	8540669	BRACKET, CONSOLE RETAINER
41	8533954	SCREW
42	8540644	BRACKET, SPRING

MFWW8500SR03 PUERTA

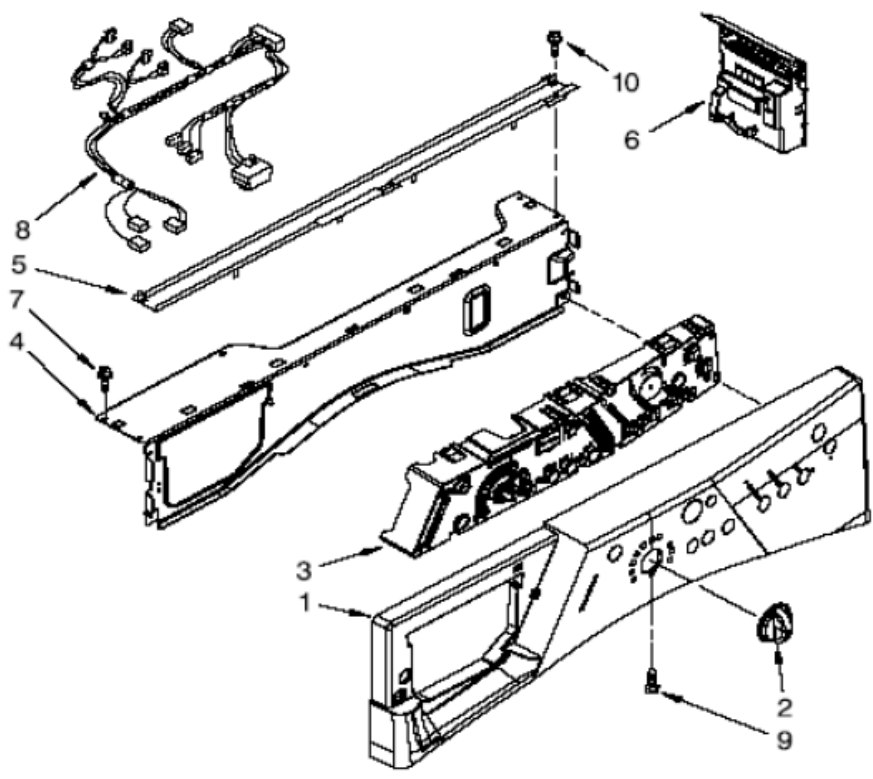




MWFW8500SR03 PUERTA

1	8540108	CLAMP, BELLOW TO TUB
2	8540952	BELLOW
3	8540772	LOCK, DOOR
4	8540725	SCREW
5	8540221	HOOK, DOOR
6	8540859	TRIM RING, OUTER DOOR
7	8540107	CLAMP, BELLOW TO FRONT PANEL
8	8540115	CLAMP, SUPPORT
9	8540114	CLAMP, GLASS
10	8540513	SCREW
11	8540896	DOOR FRONT ASSEMBLY
12	W10112078	GLASS, DOOR
13	W10138523	FRAME, DOOR BACK SUPPORT
14	8540416	HINGE, DOOR
15	8540284	SCREW
16	8540282	SCREW
17	W10015090	SCREW

MFWW8500SR03 TABLERO

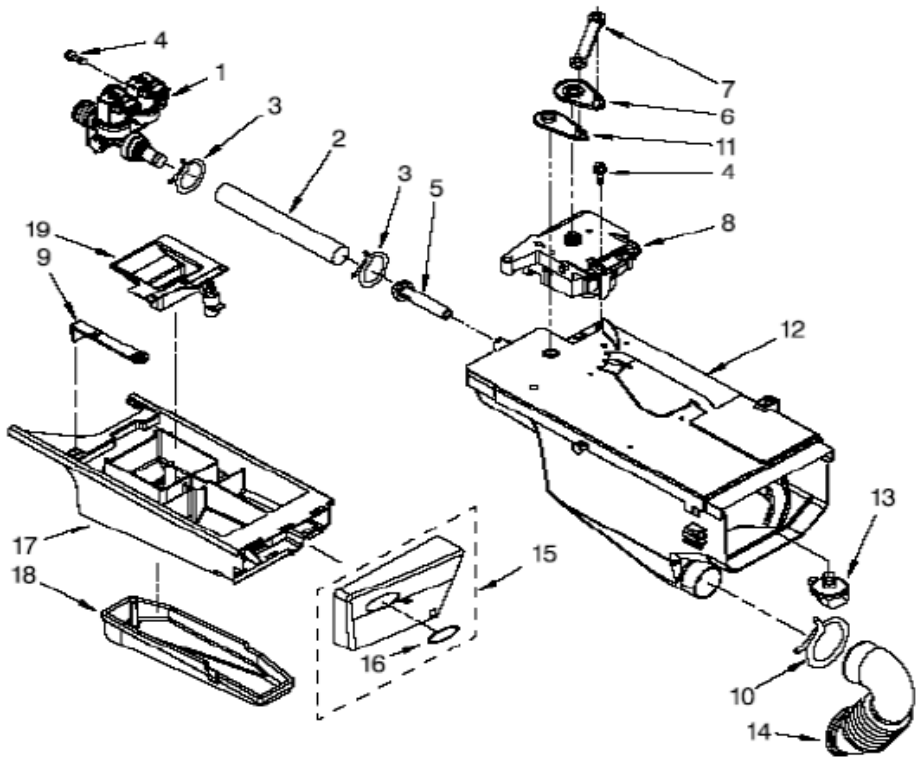




MWFW8500SR03 TABLERO

1	W10099596	PANEL, CONTROL
2	8574964	KNOB, CONTROL
3	8574920	USER INTERFACE
4	W10161692	BRACE, TOP FRONT
5	8540839	CHANNEL, WATER
6	W10205841	MICROCOMPUTER, MACHINE CONTROL
7	W10015090	SCREW
8	W10184856	HARNESS, WIRING
9	8540282	SCREW
10	W10015090	SCREW

MFWW8500SR03 DESPACHADOR

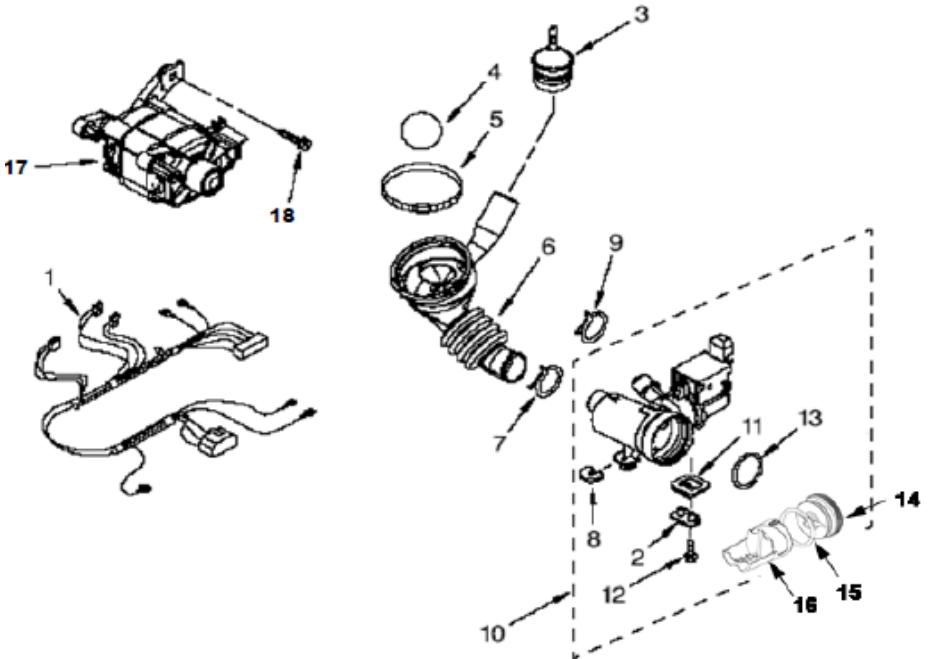




MWFW8500SR03 DESPACHADOR

1	8540751	VALVE, INLET
2	8540065	HOSE, VALVE TO DISPENSER
3	370450	CLAMP, HOSE
4	8540282	SCREW
5	8540042	NOZZLE, INLET
6	8540393	CAM, ACTUATOR
7	8540394	LEVER, WATER
8	W10143587	ACTUATOR
9	W10003170	HOOK, DRAWER
10	8281276	CLAMP, HOSE
11	8540395	CONNECTION, LEVER
12	8540058	DISPENSER
13	8540053	NOZZLE, DISTRIBUTION
14	8540063	HOSE, DISPENSER TO TUB
15	8574948	HANDLE, DRAWER
16	W10117943	MEDALLION
17	8540402	DRAWER, DETERGENT
18	8540399	COVER, DETERGENT DRAWER
19	8540429	SIPHON, BLEACH/SOFTENER

MWFW8500SR03 MOTOR-BOMBA





MWFW8500SR03 MOTOR-BOMBA

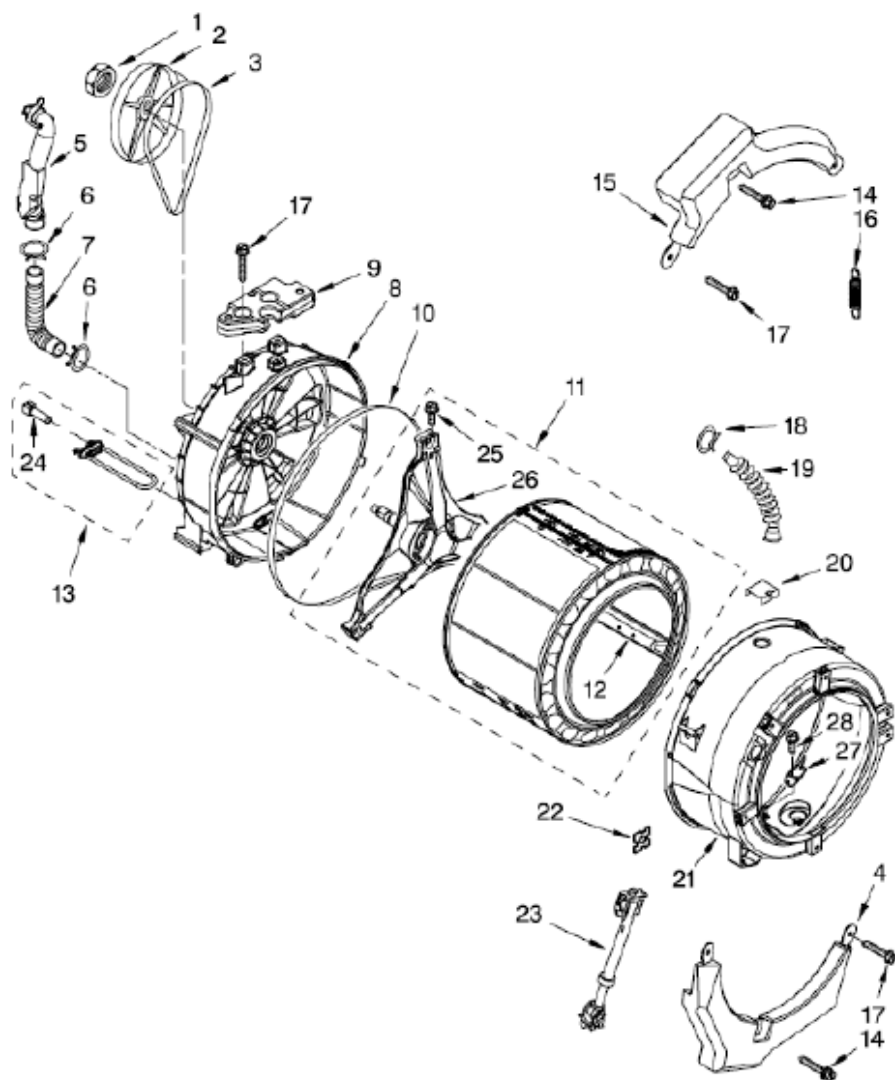
1	W10204534	HARNESS, MOTOR
2	8540033	CAP, LOCK FOOT
3	8540180	AIR TRAP
4	8540013	BALL
5	8540008	CLAMP
6	8540012	HOSE, TUB TO PUMP
8	W10034820	FOOT, RUBBER
9	356138	CLAMP, HOSE
10	W10130913	PUMP (COMPLETE)
11	W10034830	FOOT, RUBBER (LOCK)
12	8533964	SCREW, 10-16 X 1.25
13	8540025	SEAL, FILTER CAP
14	8540028	FILTER CAP
15	8540025	SEAL, FILTER CAP
16	W10115555	FILTER ELEMENT
17	W10140581	MOTOR, DRIVE
18	8540134	BOLT, MOTOR

Distribuidor Autorizado

SurteRápido.com

Venta de Refacciones
Electrodomesticas

MWFW8500SR03 TINA





MWW8500SR03 TINA

1	8533999	NUT, PULLEY
2	8540088C	PULLEY
3	8540101	BELT, DRIVE
4	W10151304	COUNTERWEIGHT FRONT LOWER
5	W10112169	PIPE, VENTILATION
6	8540010	CLAMP, VENT HOSE
7	8540019	HOSE, EXHAUST
8	W10202944	TUB, REAR (INCLUDES ITEMS 10 & 22)
9	8540604	COUNTERWEIGHT, REAR
10	8540090	GASKET, TUB
11	8540357	DRUM, COMPLETE
12	8540360	BAFFLE, TUB
13	W10155115	ELEMENT, HEATING
14	W10174473	BOLT ASSEMBLY COUNTERWEIGHT CENTER HOLE
15	W10151303	COUNTERWEIGHT FRONT UPPER
16	W10010360	SPRING, SUSPENSION
17	W10094780	BOLT, COUNTERWEIGHT MTG.
18	3363365	CLAMP
19	8540015	HOSE, EXHAUST
20	8540092	CLAMP, TUB
21	W10112664	TUB, FRONT (INCLUDES ITEMS 10 & 22)
22	8540072	NUT, PUSH-IN
23	W10159465	SHOCK ABSORBER DAMPER
24	8540226	NEGATIVE THERMISTOR CONTROL
25	8540382	SCREW
26	8540342	CROSSPIECE ASM
27	8540322	BRACKET, HEATING ELEMENT
28	8540880	SCREW