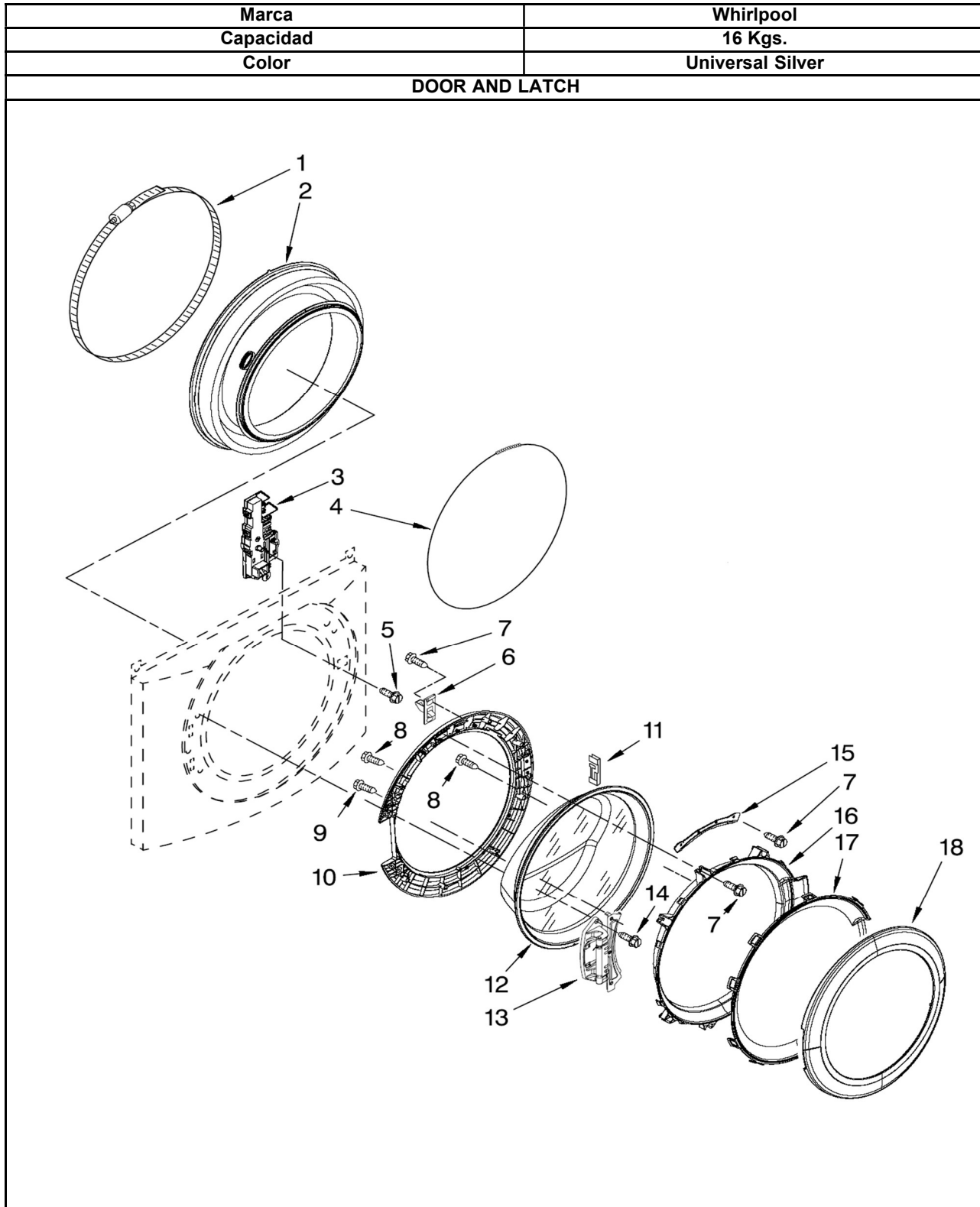


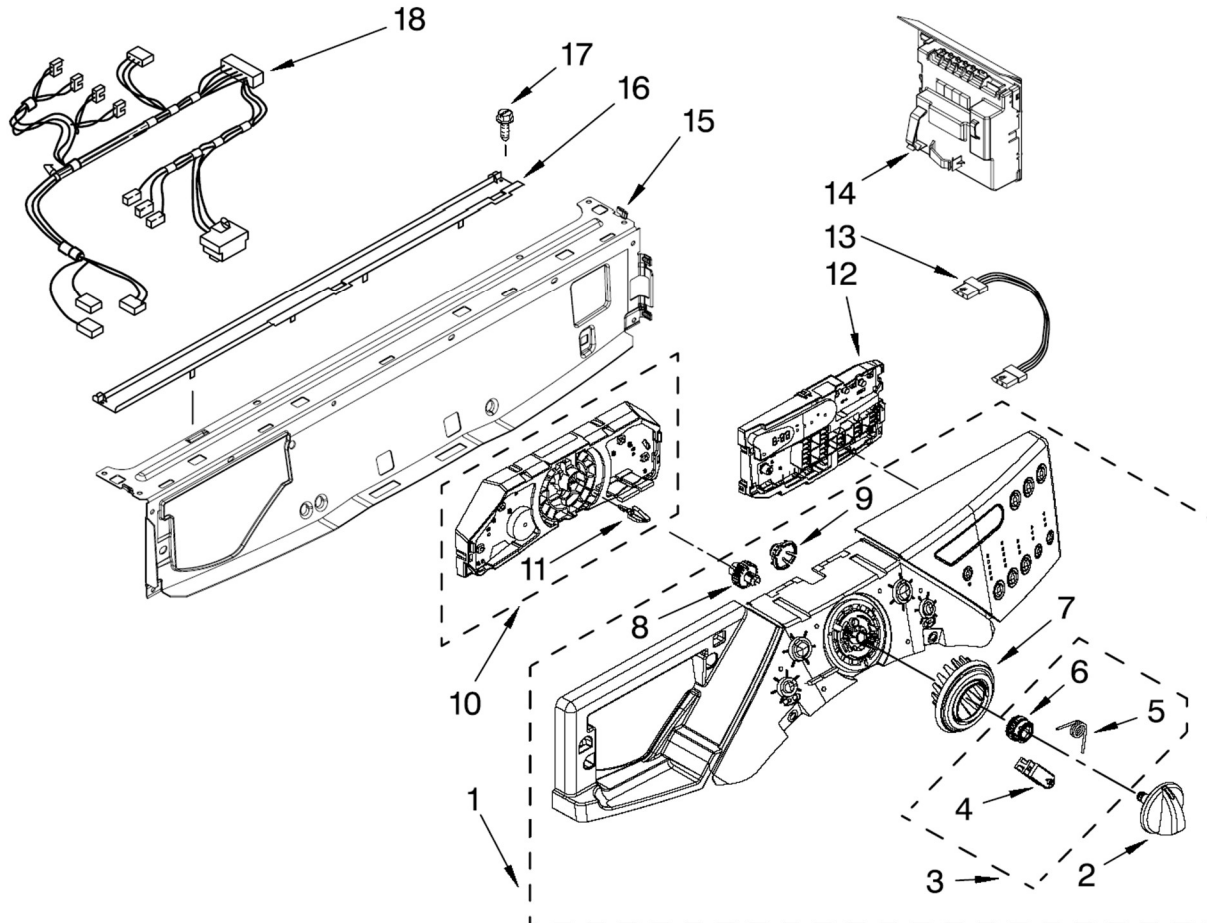
Marca		Whirlpool	
Capacidad		16 Kgs.	
Color		Universal Silver	
TOP AND CABINET PARTS			
R e f	Descripción	C a n t	Numero de Parte
2	Trim Ring, Teardrop Assembly	1	W10159211
3	Bracket Trim Left	1	W10015770
4	Bracket Trim Right	1	W10015780
5	Clip Trim	1	W10029650
6	Screw	1	W10015090
7	Toe Panel	1	W10003640
8	Panel Front	1	W10015580
9	Harness, Wiring Lower	1	W10221768
10	Channel Harness	1	W10216383
11	Channel Cable Bottom Harness	1	W10168549
12	Top	1	W10003900
13	Cabinet	1	W10171708
14	BOARD COMPL.-EXPANSION (MEB assy)	**	***
15	Switch Analog Pressure Sensor	1	W10163982
16	Bracket Spring	1	W10008890
17	Hose Pressure Switch	1	W10004260
18	Brace Top	**	***
19	Damper Brace	**	***
20	Absorber Sound	**	***
21	Microswitch (2)	1	8540210
22	Screw Gounding	1	8540479
23	Foot Levening	2	W10064810
24	Cord, Power	1	W10205498
25	Strain Relief, Power Cord	1	W10110676
26	Clip, Outer Hose Holder	1	W10022290
27	Connector Drain Hose	1	W10003260
28	Clamp Hose	1	356138
29	Brace Rear	1	W10110677
30	Filter, Interference	1	8540230
31	Hose Drain Outer	2	W10003280
32	Washer Water Inlet Hose	1	3976300
33	U bend Drain Hose	1	8540021
34	Hose Water Inlet	1	8571377
35	Cable Tie	1	3347868
36	Screw	2	8540727
37	Sleeve Cord Support	1	8540728
38	Cover Transport	1	8540268
39	Clip Outer Hose Holder	1	W10003270
40	Panel Rear	1	W10015860
41	Brace Transport	1	W10003040
41	Brace Transport	1	W10003040
42	Distance Sleeve Upper	2	W10003340



Marca		Whirlpool	
Capacidad		16 Kgs.	
Color		Universal Silver	
DOOR AND LATCH			
R e f	Descripción	C a n t	Numero de Parte
1	Fixation Clamp, Bellow To Tub	1	461970220261
2	Bellow	1	W10003800
3	Lock, Door	1	W10253483
4	Fixation Clamp, Bellow To Front Panel	1	W10003490
5	Screw	1	8540725
6	Hook, Door	1	W10003390
7	Screw	1	8540513
8	Screw	1	8540282
9	Screw	1	8540284
10	Frame, Door Back Support	1	W10003370
11	Clamp, Support	1	W10003430
12	Glass, Door	1	W10135912
13	Hinge, Door	1	W10200695
14	Screw	1	W10015090
15	Clamp, Glass	2	W10003440
16	Frame, Door Front Support	1	W10005220
17	Screen, Door	1	W10008990
18	Trim Ring, Outer Door	1	W10069120

Marca	Whirlpool
Capacidad	16 Kgs.
Color	Universal Silver

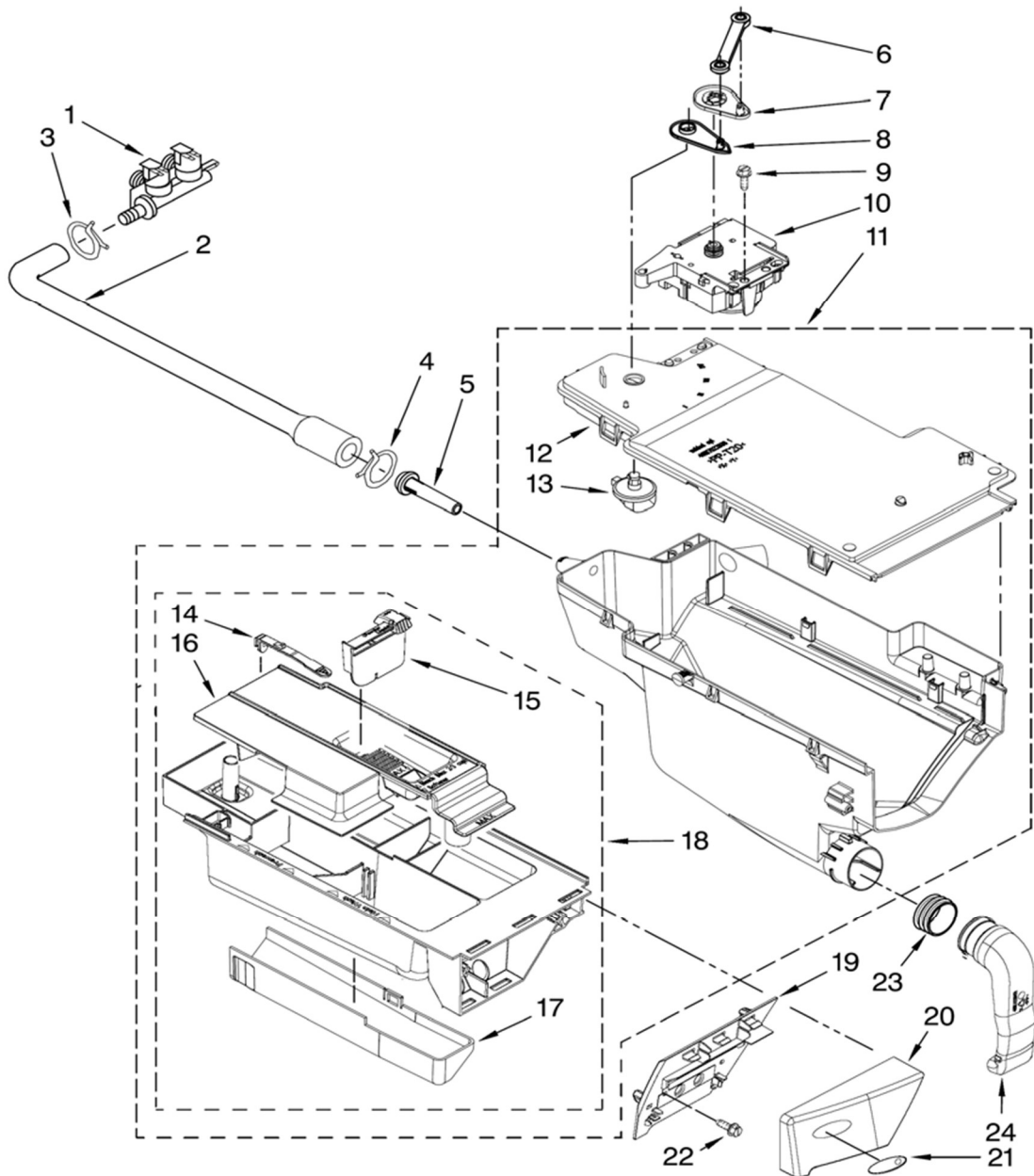
CONTROL PANEL



Marca		Whirlpool	
Capacidad		16 Kgs.	
Color		Universal Silver	
CONTROL PANEL			
R e f	Descripción	C a n t	Numero de Parte
1	Panel, Control	1	W10154794
2	Knob, Control	1	461970230581
3	Wheel, Detent Kit	**	***
4	Wheel, Rast	**	***
5	Spring, Knob	2	***
6	Wheel, Detent	**	***
7	Ring, Knob Light	**	***
8	Wheel, Encoder	**	***
9	Retainer, Snap	**	***
10	User Interface,Center	1	461970230672
11	Adapter,Encoder Wheel	**	***
12	User Interface,Right	1	461970230683
13	Harness, Wiring (User Interface)	1	461970309611
14	Microcomputer,Machine Control	1	W10179012
15	Brace, Front Top	1	W10059240
16	Channel, Water	1	W10003700
17	Screw, 8-18 x 5/8	1	W10015090
18	Harness, Wiring (Upper Main)	1	W10204695

Marca	Whirlpool
Capacidad	16 Kgs.
Color	Universal Silver

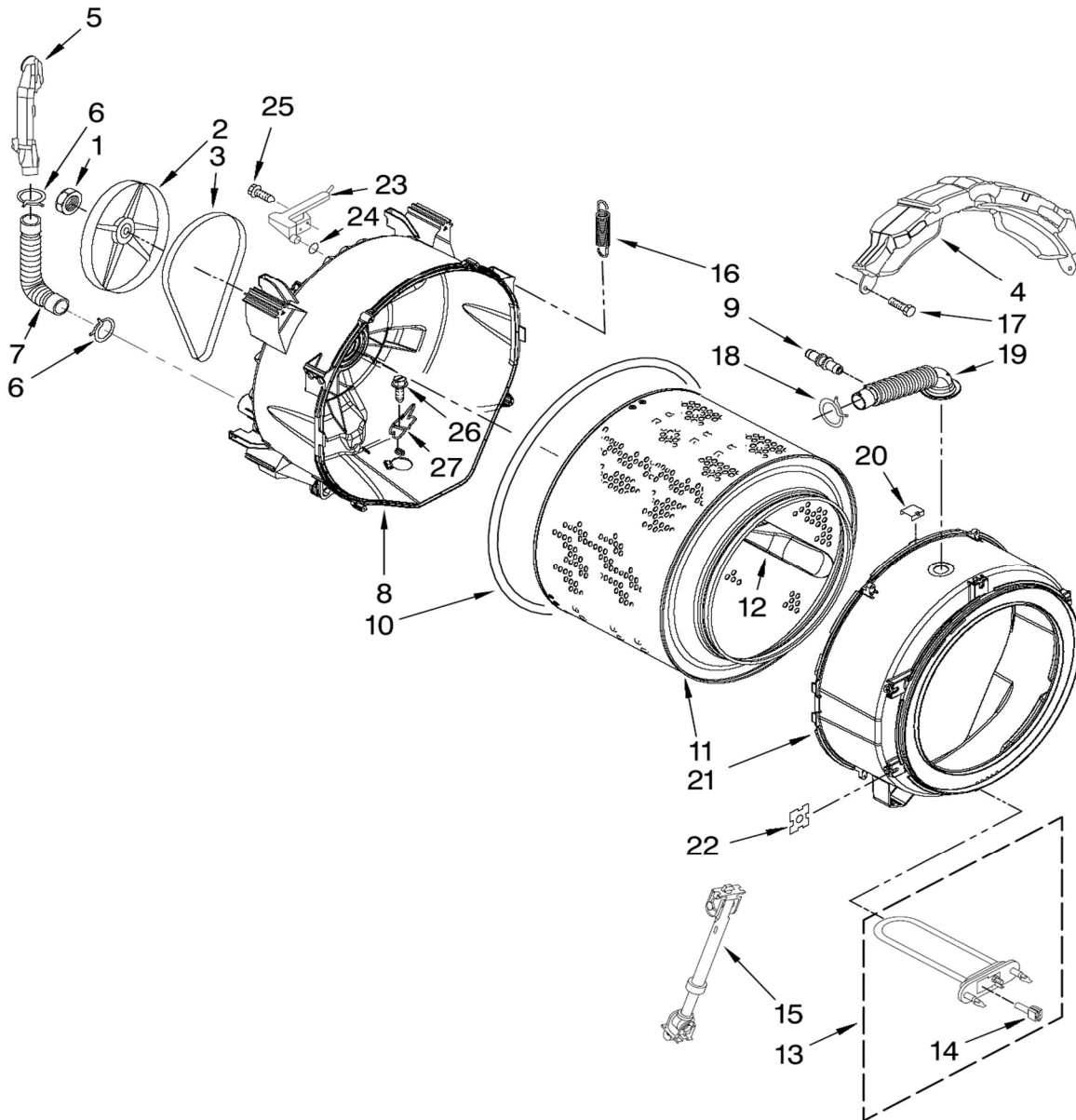
DISPENSER



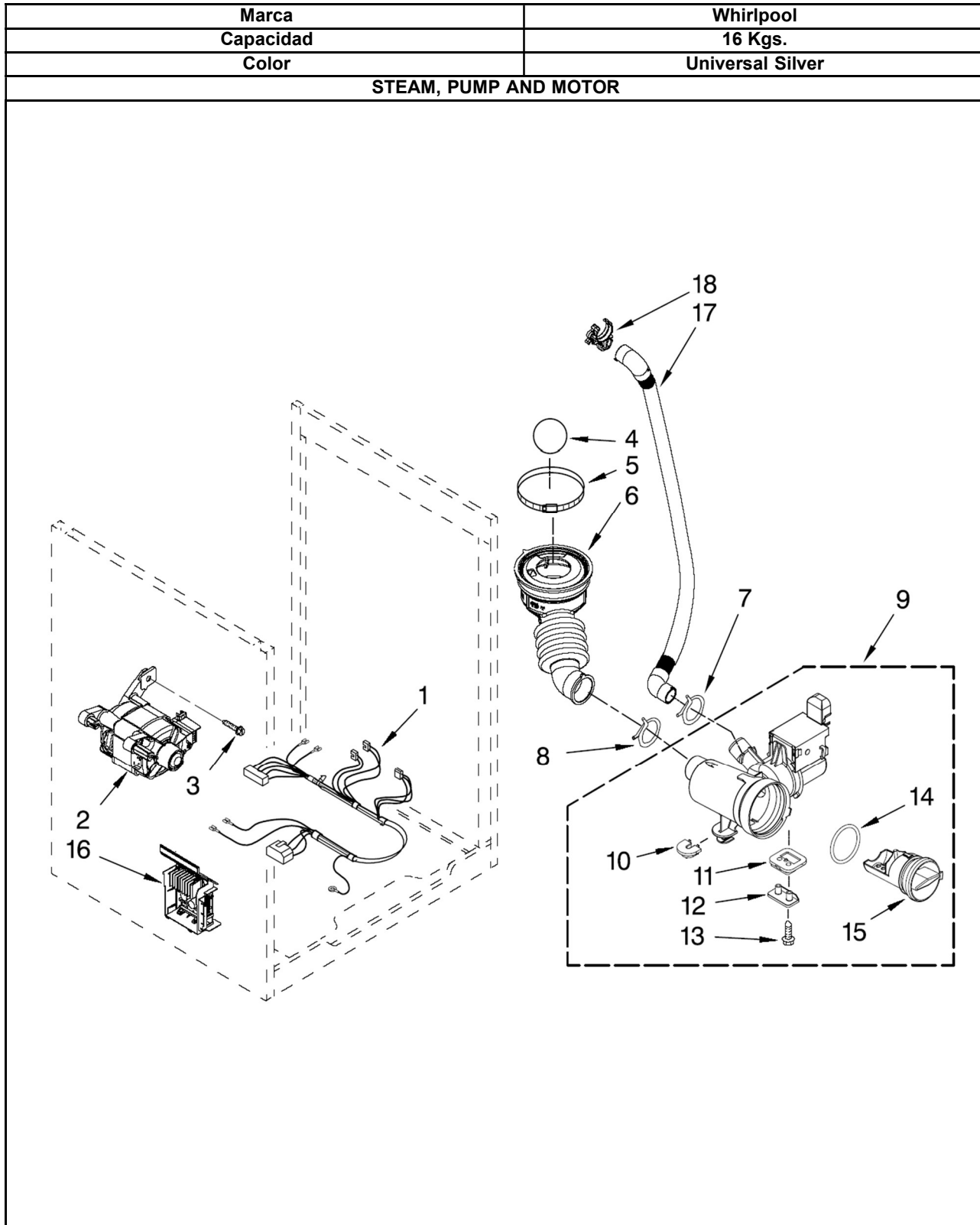
Marca		Whirlpool	
Capacidad		16 Kgs.	
Color		Universal Silver	
Ref	Descripción	Cant	Numero de Parte
DISPENSER			
1	Valve, Inlet	1	8540751
2	Hose, Inlet Valve To Dispenser	1	8540065
3	Clamp, Hose	1	370450
4	Clamp, Hose	1	370450
5	Nozzle, Inlet	1	8540042
6	Lever, Water Distribution	1	W10003830
7	Cam, Actuator	1	W10003190
8	Lever, Connection	1	W10003180
9	Screw, Actuator	2	8540282
10	Actuator	1	W10163975
11	Dispenser Complete (Includes Item 8)	1	W10074160
12	Plate, Distribution	1	W10005080
13	Nozzle, Distribution	1	W10003110
14	Hook, Drawer	1	W10003170
15	Separator, With Selection Slider	1	W10015200
16	Syphon, Bleach/Softener	1	W10003150
17	Cover, Detergent Drawer	1	W10003140
18	Drawer, Detergent Complete)	1	W10015190
19	Bracket, Handle Fixation Console	1	W10059240
20	Handle, Drawer (Includes Items 19 & 21)	1	461970236062
21	Medallion	1	W10118633
22	Screw	2	8540727
23	Seal	1	W10003360
24	Tube, Dispenser to Bellow	1	W10005300

Marca	Whirlpool
Capacidad	16 Kgs.
Color	Universal Silver

TUB AND BASKET



Marca		Whirlpool	
Capacidad		16 Kgs.	
Color		Universal Silver	
R e f	Descripción	C a n t	Numero de Parte
TUB AND BASKET			
1	Nut, Pulley	1	8533999
2	Pulley	1	W10003730
3	Belt, Drive	1	W10116915
4	Counterweight, Front	1	W10008880
5	Pipe, Ventilation	1	W1 0003500
6	Clamp, Vent Hose	1	8540010
7	Hose, Exhaust	1	W10004330
8	Tub, Rear (includes 10,22, 26 & 27)	1	W10004170
9	Connector, Overflow Hose	1	W10003260
10	Gasket, Tub	1	W10036350
11	Basket, Complete	1	W10040480
12	Lifter Drum	3	W10200794
13	Element, Heating	1	W10155115
14	Negative Thermistor Control	1	W10064930
15	Shock Absorber	1	W10015830
16	Spring, Suspension	2	W10127411
17	Bolt, Counterweight Mtg.	1	W10094780
18	Clamp, Hose	1	3363365
19	Hose, Exhaust	1	W10004330
20	Clamp, Tub	1	3363365
21	Tub, Front (includes 10 & 22)	1	W10260212
22	Nut, Push-In	1	8540072
23	Air Trap	1	W10003600
24	O-Ring, Air Trap	1	461970251921
25	Screw	1	8540513
26	Screw	1	8540880
27	Bracket, Heating Element	1	W10015240



Marca		Whirlpool	
Capacidad		16 Kgs.	
Color		Universal Silver	
R e f	Descripción	C a n t	Numero de Parte
STEAM, PUMP AND MOTOR			
1	Harness, Motor	1	W10186674
2	Motor, Drive	1	W10140583
3	Bolt, Motor	1	8540134
4	Ball	1	W10003330
5	Clamp	1	8540008
6	Hose, Tub to Pump	1	W10003240
7	Clamp, Drain Hose	1	356138
8	Clamp, Hose	1	370448
9	Pump (Complete)	1	W10130913
10	Foot, Rubber (Slider)	1	W10034820
11	Foot, Rubber (Lock)	1	W10034830
12	Cap, Lock Foot	1	8540033
13	Screw	2	8533964
14	Seal, Filter Cap	1	8540025
15	Filter Assembly (includes item 14)	1	8540028
16	Motor Control Unit	1	W10015480
17	Hose, Drain (Inner)	1	W10003250
18	Retainer, Drain Hose	1	W10003290

Nota: La referencia que aparezcan en su num de parte con asteriscos ***
indica que no aplica para este modelo