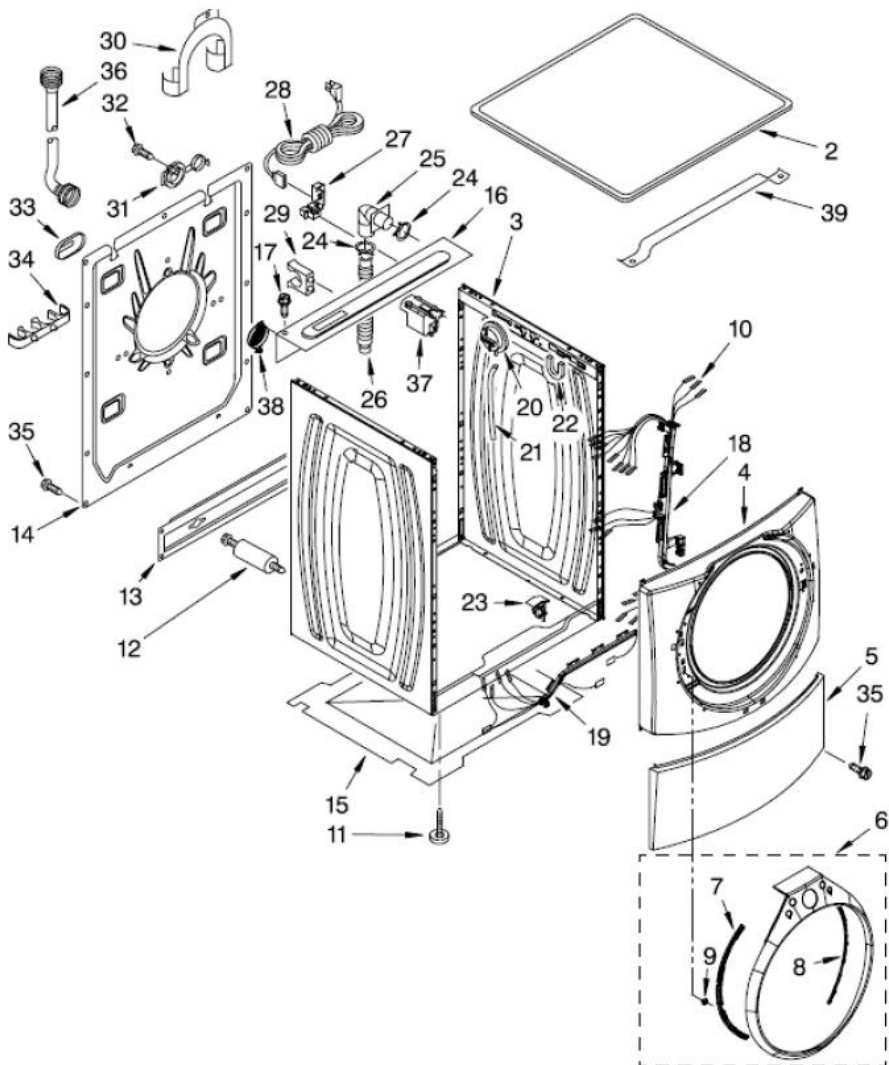


Distribuidor Autorizado

SurteRápido.com

Venta de Refacciones  
Electrodomesticas

## MFWW9400SU01 GABINETE



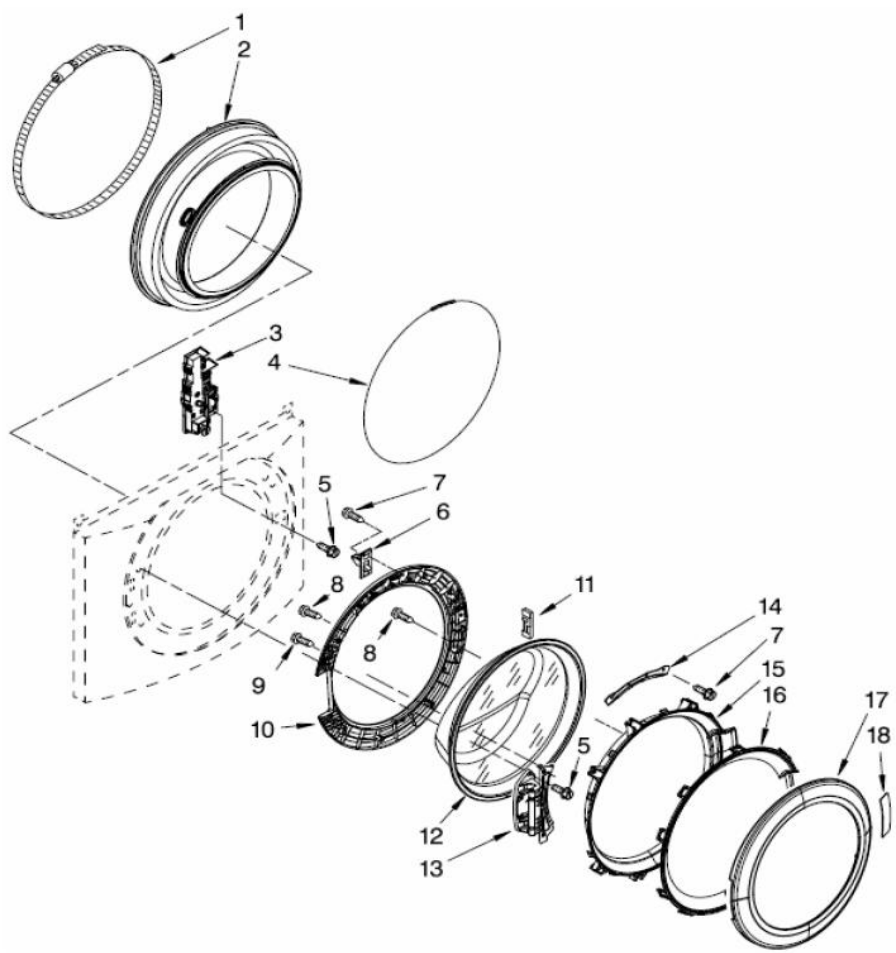


## MFW9400SU01 GABINETE

2	W10115614	TOP
3	W10117090	CABINET
4	W10115660	PANEL, FRONT
5	W10115659	TOE PANEL
6	8183227	TRIM RING, TEARDROP ASSEMBLY
7	8183208	BRACKET, TRIM
8	8183209	BRACKET, TRIM
9	8183210	CLIP, TRIM
10	W10066990	HARNESS, WIRING
11	8181636	FOOT, LEVELING
12	****	BOLT, SHIPPING
	W10003340	UPPER
	W10003350	LOWER
13	W10003040	BRACE, TRANSPORT
14	W10003030	PANEL, REAR
15	W10002870	PAN, BOTTOM
16	W10110677	BRACE, REAR
17	W10015090	SCREW
18	W10003460	CHANNEL, HARNESS (SIDE)
19	W10047920	CHANNEL, HARNESS (BOTTOM)
20	W10065150	SWITCH, PRESSURE
21	W10004260	HOSE, PRESSURE SWITCH
22	W10008890	BRACKET, SPRING
23	8540210	MICROSWITCH (2)
24	356138	CLAMP, HOSE
25	W10003260	CONNECTOR, DRAIN HOSE
26	W10003280	HOSE, DRAIN (OUTER)
27	W10110676	STRAIN RELIEF
28	W10110674	CORD, POWER
29	W10022290	CLIP, OUTER HOSE HOLDER
30	8540021	STORAGE, HOSE
31	8540728	SLEEVE, CORD SUPPORT (2)
32	8540727	SCREW, 3 X 8 MM

33	8540268	COVER, TRANSPORT
34	W10003270	CLIP, OUTER HOSE HOLDER
35	W10015090	SCREW
36	****	HOSE, WATER INLET
	8571377	BLUE COUPLER
	8571378	RED COUPLER
37	8540230	FILTER, INTERFERENCE
38	8183030	GRID, VENTILATION
39	8181632	BRACE, TOP

**MFW9400SU01 PUERTA**

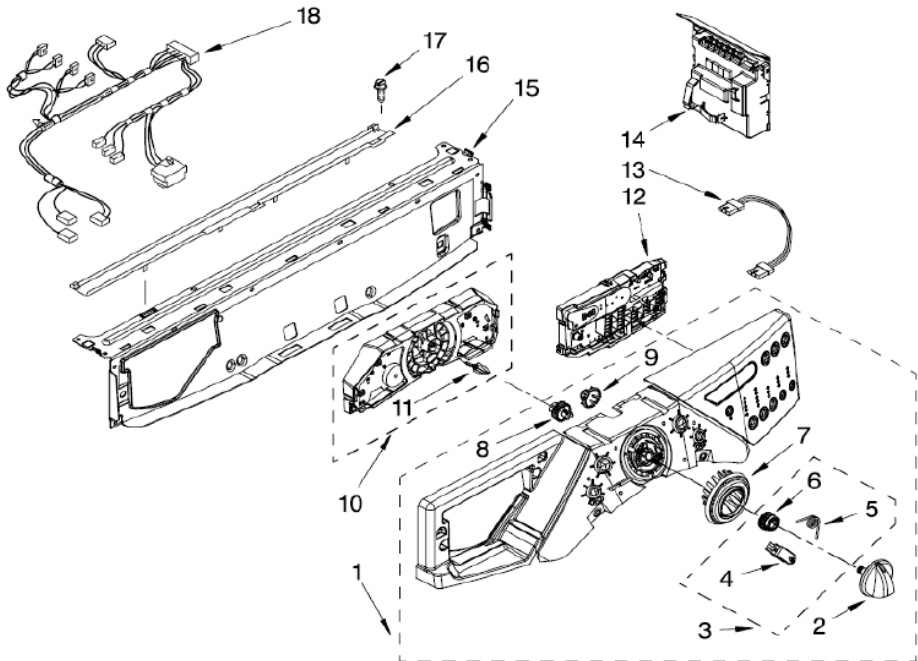




## MWWF9400SU01 PUERTA

1	W10100790	CLAMP, BELLOW TO TUB
2	W10003800	BELLOW
3	8540772	LOCK, DOOR
4	W10003490	CLAMP, BELLOW TO FRONT PANEL
5	W10015090	SCREW
6	W10003390	HOOK, DOOR
7	8540513	SCREW
8	8540282	SCREW
9	8540284	SCREW
10	W10003390	FRAME, DOOR BACK SUPPORT
11	W10003430	CLAMP, GLASS SUPPORT
12	W10003520	GLASS, DOOR
13	W10005090	HINGE, DOOR
14	W10003440	CLAMP, GLASS (2)
15	W10005220	FRAME, DOOR FRONT SUPPORT
16	W10008990	SCREEN, DOOR
17	W10069030	TRIM RING, OUTER DOOR
18	W10121607	PAD, DOOR HANDLE

**MFW9400SU01 TABLERO**





## MFW9400SU01 TABLERO

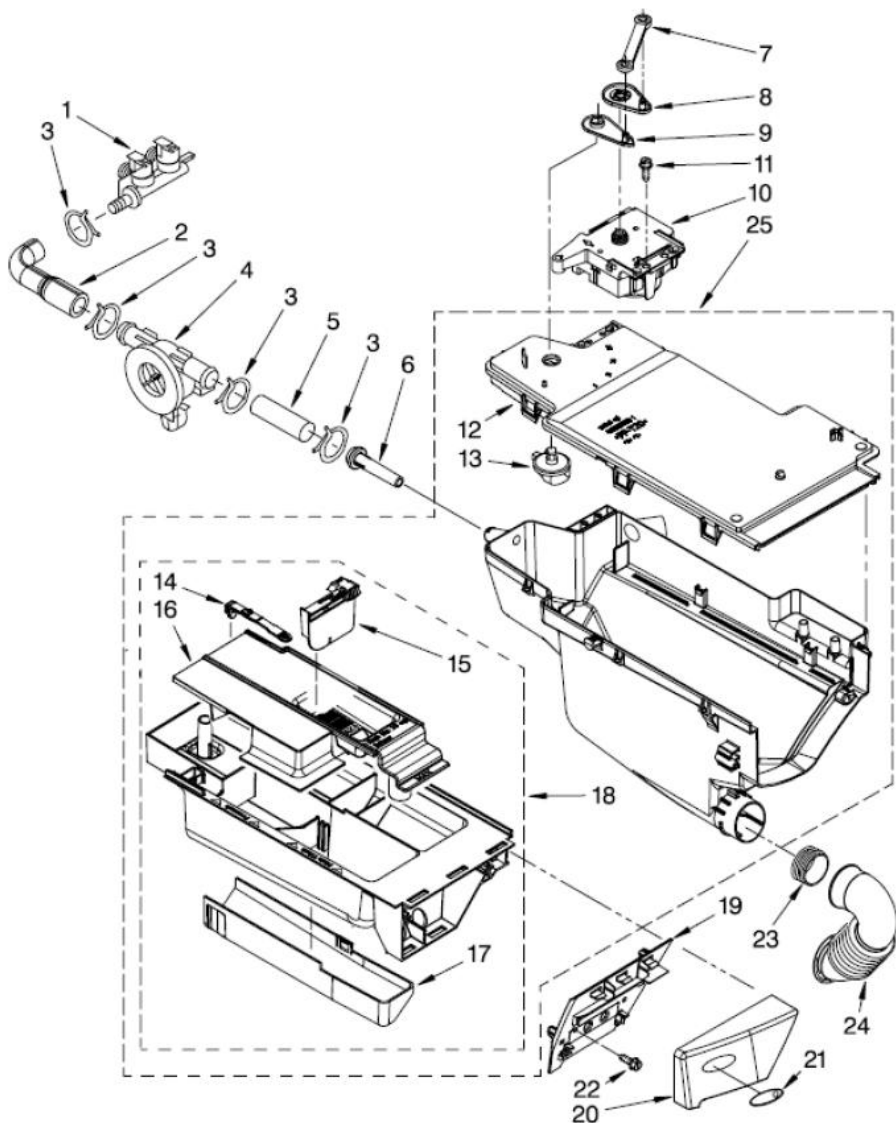
1	8183233	PANEL, CONTROL
2	W10131371	KNOB, CONTROL
3	W10133927	WHEEL, DETENT KIT
4	W10131661	WHEEL, RAST
5	W10131377	SPRING, KNOB
6	W10131378	WHEEL, DETENT
7	W10131376	RING, KNOB LIGHT
8	W10131381	WHEEL, ENCODER
9	W10131382	RETAINER, SNAP
10	W10164402	USER INTERFACE, CENTER
11	8183177	ADAPTER, ENCODER WHEEL
12	W10168598	USER INTERFACE, RIGHT
13	8183254	HARNESS, WIRING (USER INTERFACE)
14	W10015500	MICROCOMPUTER MACHINE CONTROL
15	W10059240	BRACE, FRONT TOP
16	W10003700	CHANNEL, WATER
17	W10015090	SCREW
18	W10003450	HARNESS, WIRING (UPPER MAIN)

Distribuidor Autorizado

**SurteRápido.com**

Venta de Refacciones  
Electrodomesticas

## MFW9400SU01 DISPENSADOR







## MWFW9400SU01 DISPENSADOR

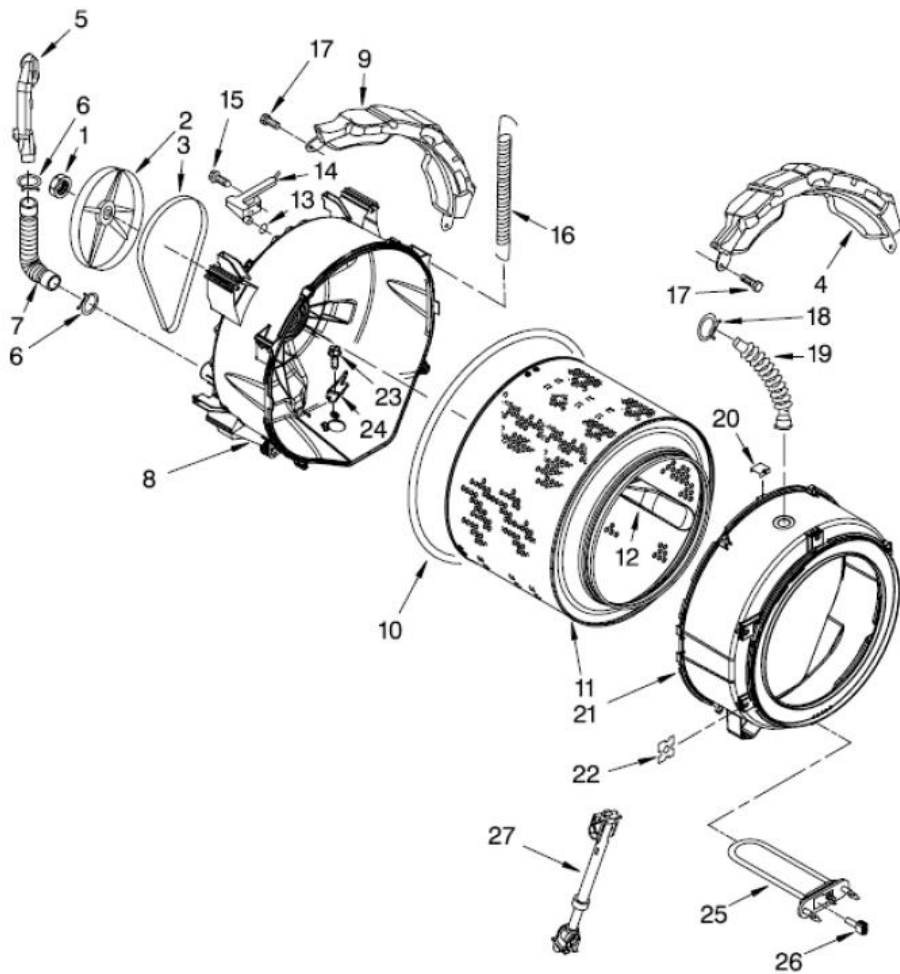
1	8540751	VALVE, INLET
2	W10003220	HOSE, FLOWMETER
3	370450	CLAMP
4	W10110225	FLOWMETER
5	W10003220	HOSE, NOZZLE INLET
6	8540042	NOZZLE, INLET
7	W10003180	LEVER, WATER DISTRIBUTION
8	W10003190	CAM, ACTUATOR
9	W10003830	LEVER, CONNECTION
10	W10065190	ACTUATOR
11	8540282	SCREW, ACTUATOR
12	W10005080	PLATE, DISTRIBUTION
13	W10003110	NOZZLE, DISTRIBUTION
14	W10003170	HOOK, DRAWER
15	W10015200	SEPARATOR, WITH SELECTION SLIDER
16	W10009120	SYPHON, BLEACH/SOFTENER
17	W10003140	COVER, DETERGENT DRAWER
18	W10114234	DRAWER, DETERGENT (COMPLETE)
19	W10156617	BRACKET, HANDLE FIXATION
20	8183237	HANDLE, DRAWER
21	8183253	MEDALLION
22	8540282	SCREW
23	W10003360	SEAL
24	W10005300	TUBE, DISPENSER TO BELLOW
25	W10015450	DISPENSER, COMPLETE

Distribuidor Autorizado

**SurteRápido.com**

Venta de Refacciones  
Electrodomesticas

MWFW9400SU01 TINA

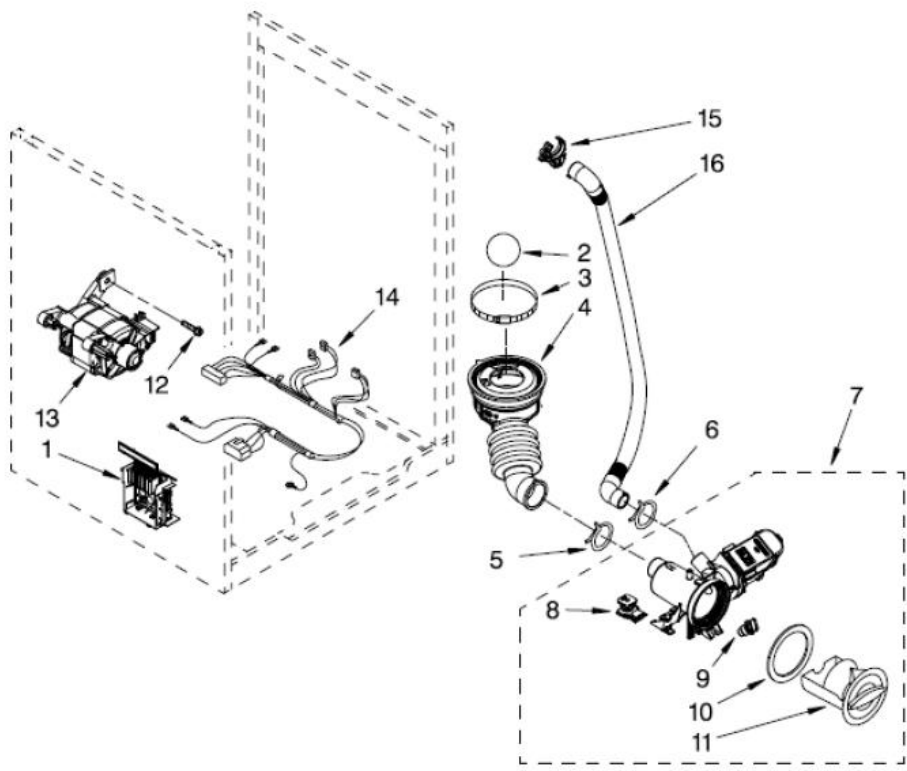




## MWFW9400SU01 TINA

1	8533999	NUT, PULLEY
2	W10003730	PULLEY
3	W10116915	BELT
4	W10008880	COUNTERWEIGHT, FRONT
5	W10003500	PIPE, VENTILATION
6	8540010	CLAMP
7	W10004330	HOSE, EXHAUST
8	W10004050	TUB, REAR
9	W10019740	COUNTERWEIGHT, REAR
10	W10036350	GASKET, TUB
11	W10002820	BASKET
12	W10002770	BAFFLE, TUB
13	W10004270	ORING
14	W10003600	AIRTRAP
15	8540513	SCREW
16	W10127411	SPRING, SUSPENSION
17	W10094780	BOLT
18	3363365	CLAMP, HOSE
19	8540015	HOSE, EXHAUST
20	8540092	CLAMP, TUB
21	W10004180	TUB, FRONT
22	8540072	NUT, PUSHIN
23	8540880	SCREW
24	W10015240	CLAMP, HEATING ELEMENT
25	8540323	ELEMENT, HEATING
26	8181705	NTC
27	W10015830	SHOCK ABSORBER

**MWFW9400SU01 MOTOR/BOMBA**





## MWFW9400SU01 MOTOR/BOMBA

1	W10015480	MOTOR CONTROL UNIT
2	W10003330	BALL
3	8540008	CLAMP
4	W10003240	HOSE, TUB TO PUMP
5	370448	CLAMP
6	356138	CLAMP
7	W10117829	PUMP (COMPLETE)
8	W10034820	GROMMET, DAMPER (REAR)
9	W10034830	GROMMET, DAMPER (FRONT)
10	8540025	SEAL, FILTER CAP
11	8540996	CAP, FILTER
12	8540134	BOLT, MOTOR
13	W10140583	MOTOR
14	W10004420	HARNESS, MOTOR
15	W10003290	RETAINER, DRAIN HOSE
16	W10003250	DRAIN HOSE