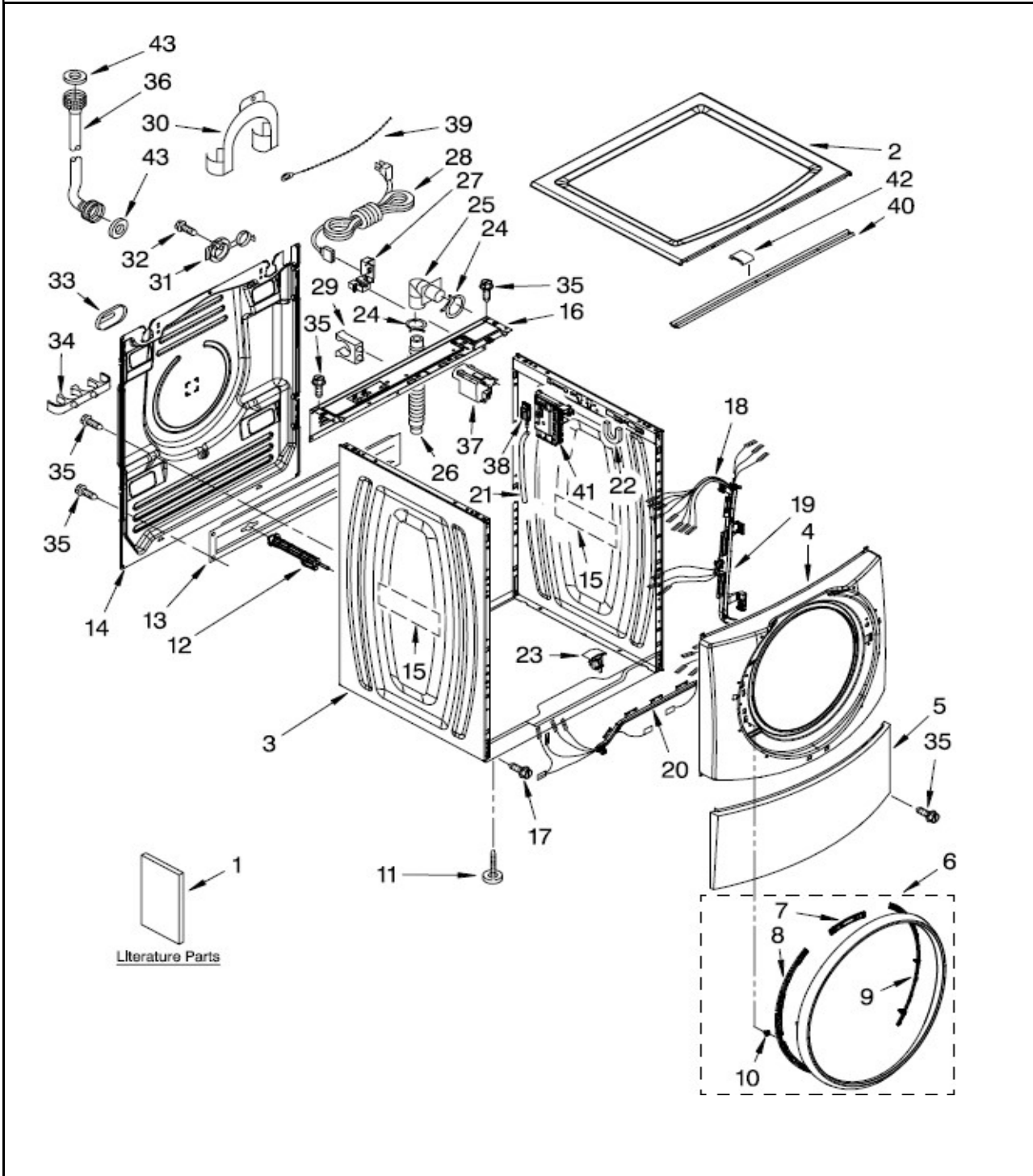


LAVADORA MFW9550XH00

Marca	WHIRLPOOL
Capacidad	16 Kg
Color	CHAI

TOP AND CABINET PARTS



Marca	WHIRLPOOL
Capacidad	16 Kg
Color	CHAI

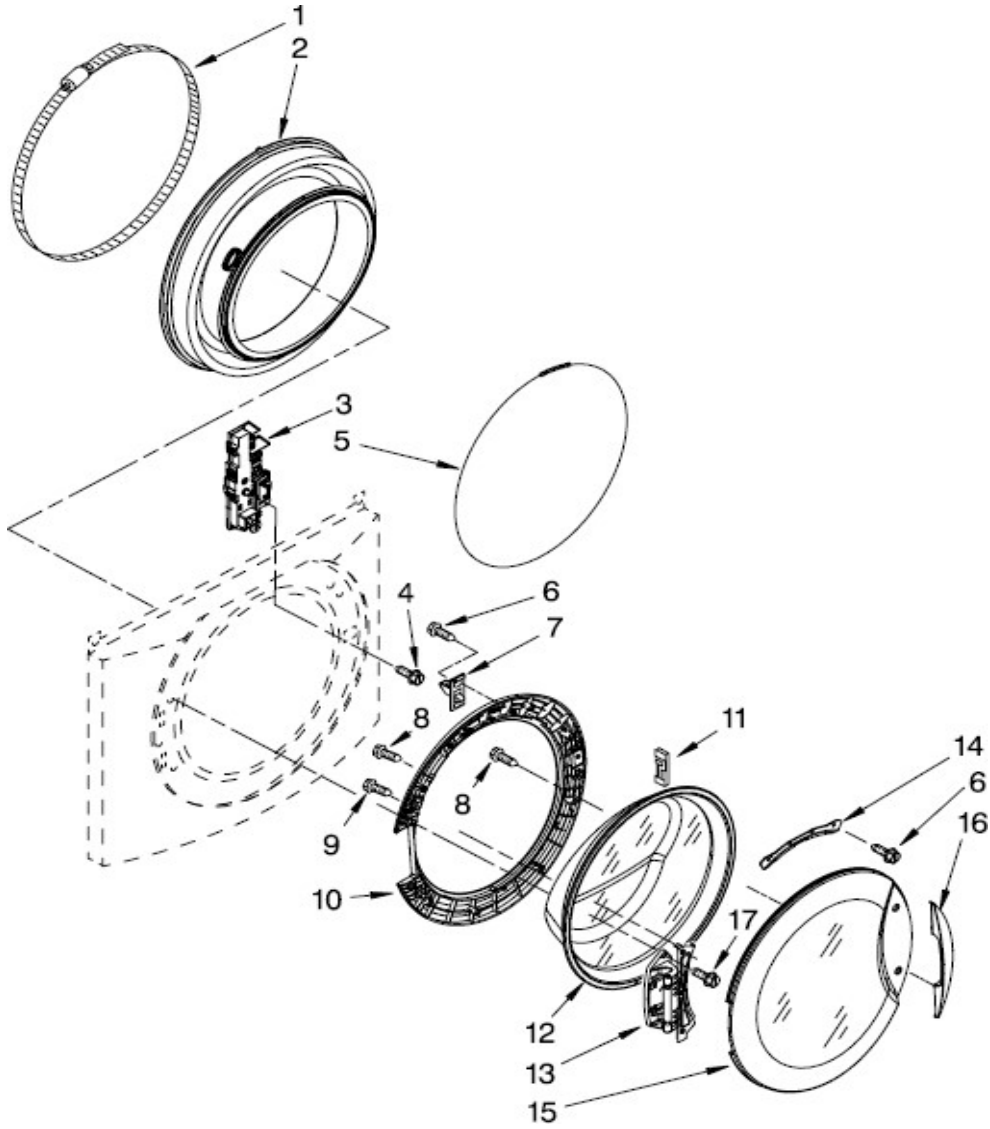
TOP AND CABINET PARTS

R e f	Descripción	C a n t	Numero de Parte
1	Literature Parts	*	***
2	Top	1	W10176929
3	Cabinet	1	W10176854
4	Panel, Front	1	W10176914
5	Toe Panel	1	W10245156
6	Ring, Trim	1	461970236351
7	Bracket, Trim Fixation (Top)	1	8183207
8	Bracket, Trim Fixation (Left)	1	8183208
9	Bracket, Trim Fixation (Right)	1	8183209
10	Clip, Trim	1	8183210
11	Foot, Leveling Bolt, Shipping	4	W10064810
12	Bolt, Shipping Upper	2	W10190006
12	Lower	2	W10190007
13	Brace, Transport Upper	1	W10165710
13	Lower	1	W10003040
14	Panel, Rear	1	W10165713
15	Absorber, Sound	2	3976348
16	Brace, Rear	1	W10110677
17	Screw, Grounding	*	***
18	Harness, Wiring	1	W10167287
19	Channel, Harness (Side)	1	W10003460
20	Channel, Harness (Bottom)	1	W10168549
21	Hose, Pressure Switch	1	W10004260
22	Bracket, Spring	2	W10008890
23	Microswitch (2)	2	8540210
24	Clamp, Hose	2	356138
25	Connector, Drain Hose	1	W10003260
26	Hose, Drain (Outer)	1	W10003280
27	Strain Relief	1	W10110676
28	Cord, Power	1	W10205498
29	Clip, Outer Hose Holder	2	W10022290
30	U-Bend, Drain Hose	1	8540021
31	Sleeve, Cord Support (2)	2	8540728
32	Screw, 3 x 8 mm	*	***
33	Cover, Transport	4	8540268
34	Clip, Outer Hose Holder	2	W10003270
35	Screw, 8-18 x 5/8	*	***
36	Hose, Water Inlet Blue Coupler	1	8571377
36	Red Coupler	1	8571378
37	Filter Interference	1	8540230
38	Switch, Analog Pressure Sensor	1	461970309561
39	Cable Tie	1	3347868
40	Brace, Top	1	8540721
41	Control Board, Expansion	1	461970236451
42	Damper, Brace	1	8283273
43	Washer, Water Inlet Hose	4	3976300

LAVADORA MFW9550XH00

Marca	WHIRLPOOL
Capacidad	16 Kg
Color	CHAI

DOOR AND LATCH

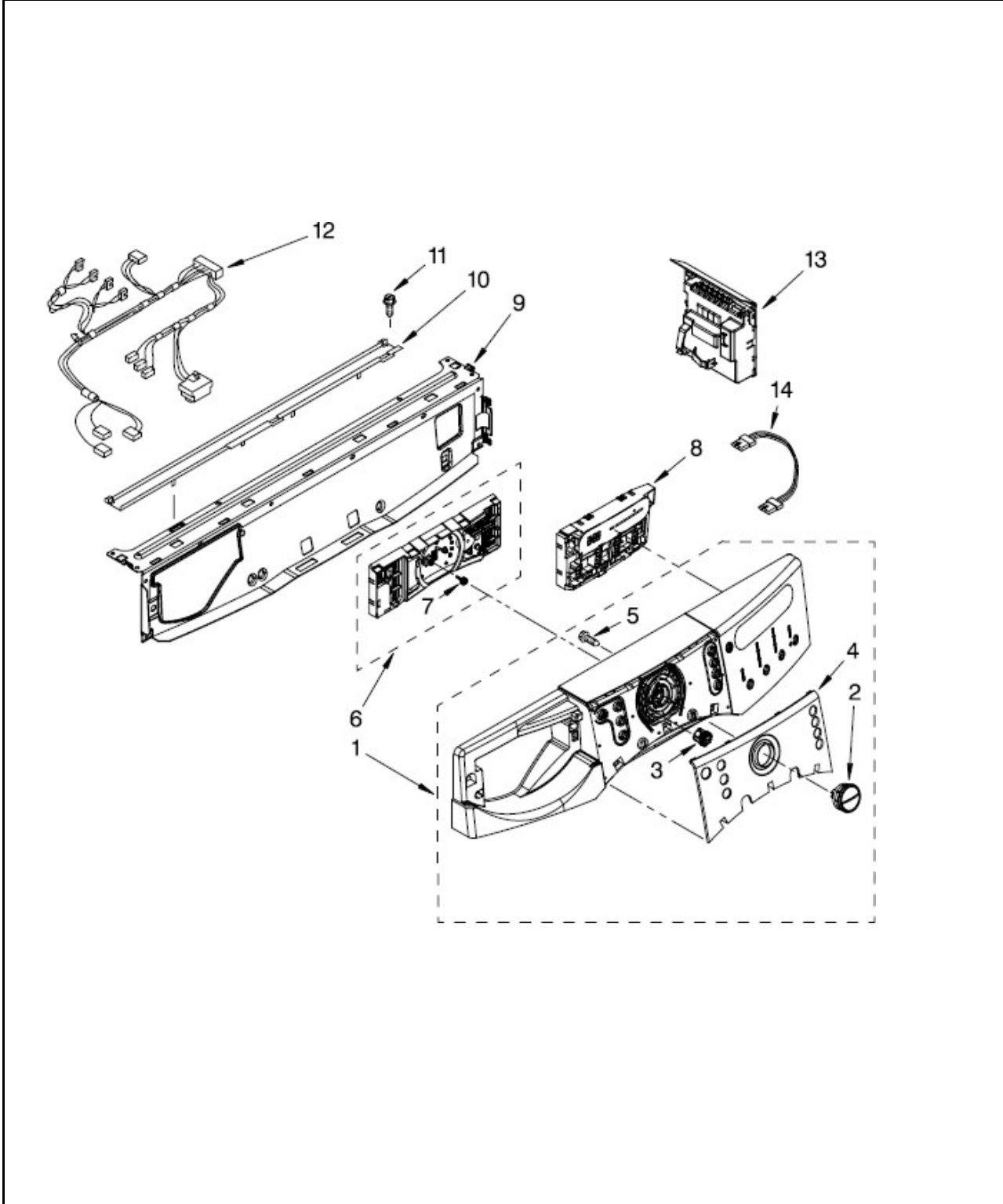


Marca		WHIRLPOOL	
Capacidad		16 Kg	
Color		CHAI	
DOOR AND LATCH			
R e f	Descripción	C a n t	Numero de Parte
1	Clamp, Bellow To Tub	1	8182210
2	Bellow	1	W10003800
3	Lock, Door	1	W10253483
4	Screw	*	***
5	Clamp, Bellow To Front Panel	1	W10003490
6	Screw	*	***
7	Hook, Door	1	W10003390
8	Screw	*	***
9	Screw	*	***
10	Frame, Door Back Support	1	W10003370
11	Clamp, Glass Support	1	W10003430
12	Glass, Door	1	W10135912
13	Hinge, Door	1	W10200695
14	Clamp, Glass (2)	2	W10003440
15	Frame, Door Front Assembly	1	W10015670
16	Handle, Door	1	W10069000
17	Screw	*	***

LAVADORA MFW9550XH00

Marca	WHIRLPOOL
Capacidad	16 Kg
Color	CHAI

CONTROL PANEL



LAVADORA MFW9550XH00

Marca	WHIRLPOOL
Capacidad	16 Kg
Color	CHAI

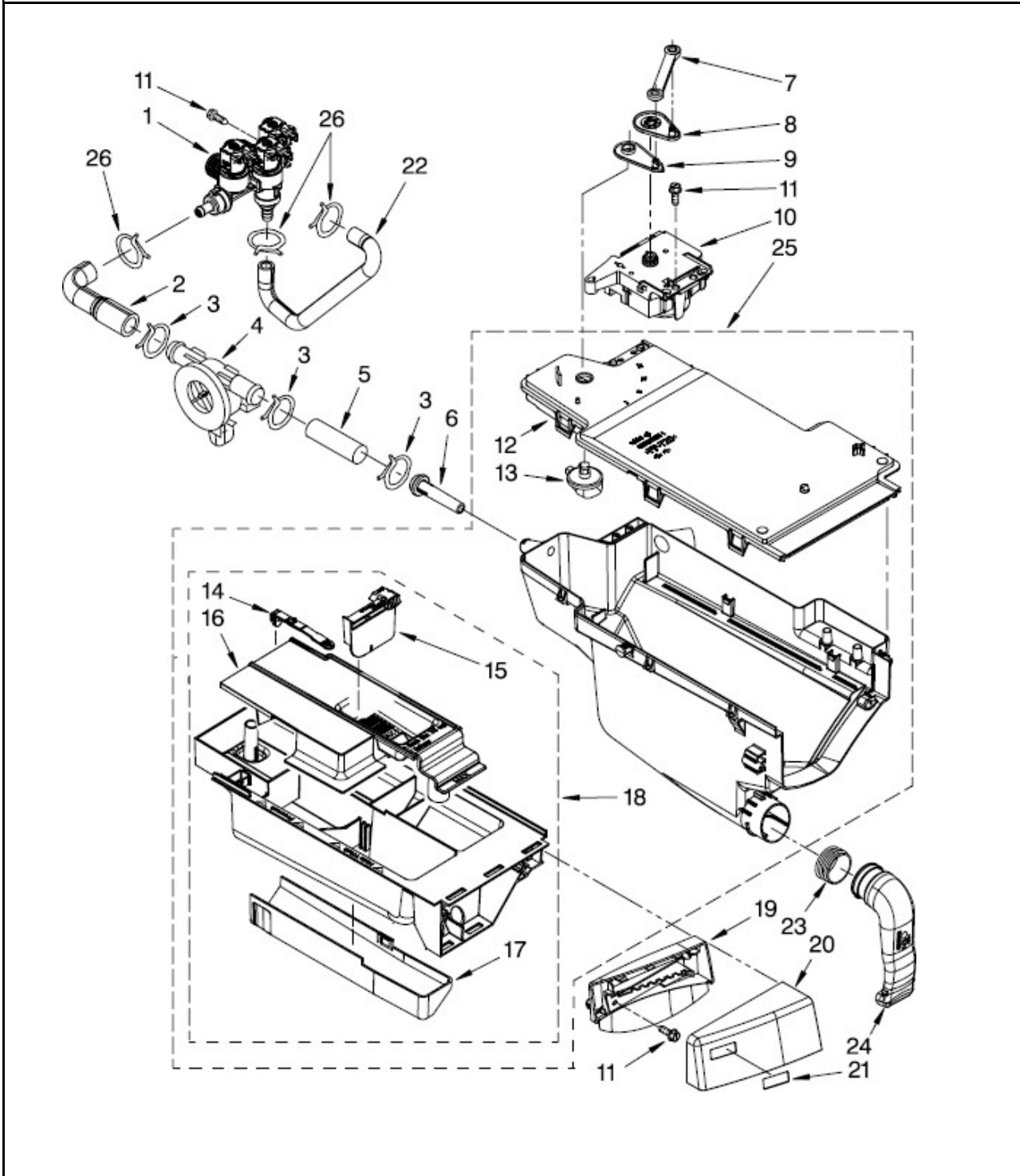
CONTROL PANEL

R e f	Descripción	C a n t	Numero de Parte
1	Panel, Control	1	W10180457
2	Knob, Control	*	***
3	Wheel, Encoder	*	***
4	Cover, Control Panel	*	***
5	Screw	*	***
6	User Interface, Center	*	***
7	Adapter, Encoder Wheel	*	***
8	User Interface, Right	*	***
9	Brace, Front Top	1	W10059240
10	Channel, Water	1	W10003700
11	Screw	*	***
12	Harness, Wiring (Upper Main)	1	W10167278
13	Microcomputer, Machine Control	1	W10307217
14	Harness, Wiring (User Interface)	1	W10167292

LAVADORA MFW9550XH00

Marca	WHIRLPOOL
Capacidad	16 Kg
Color	CHAI

DISPENSER

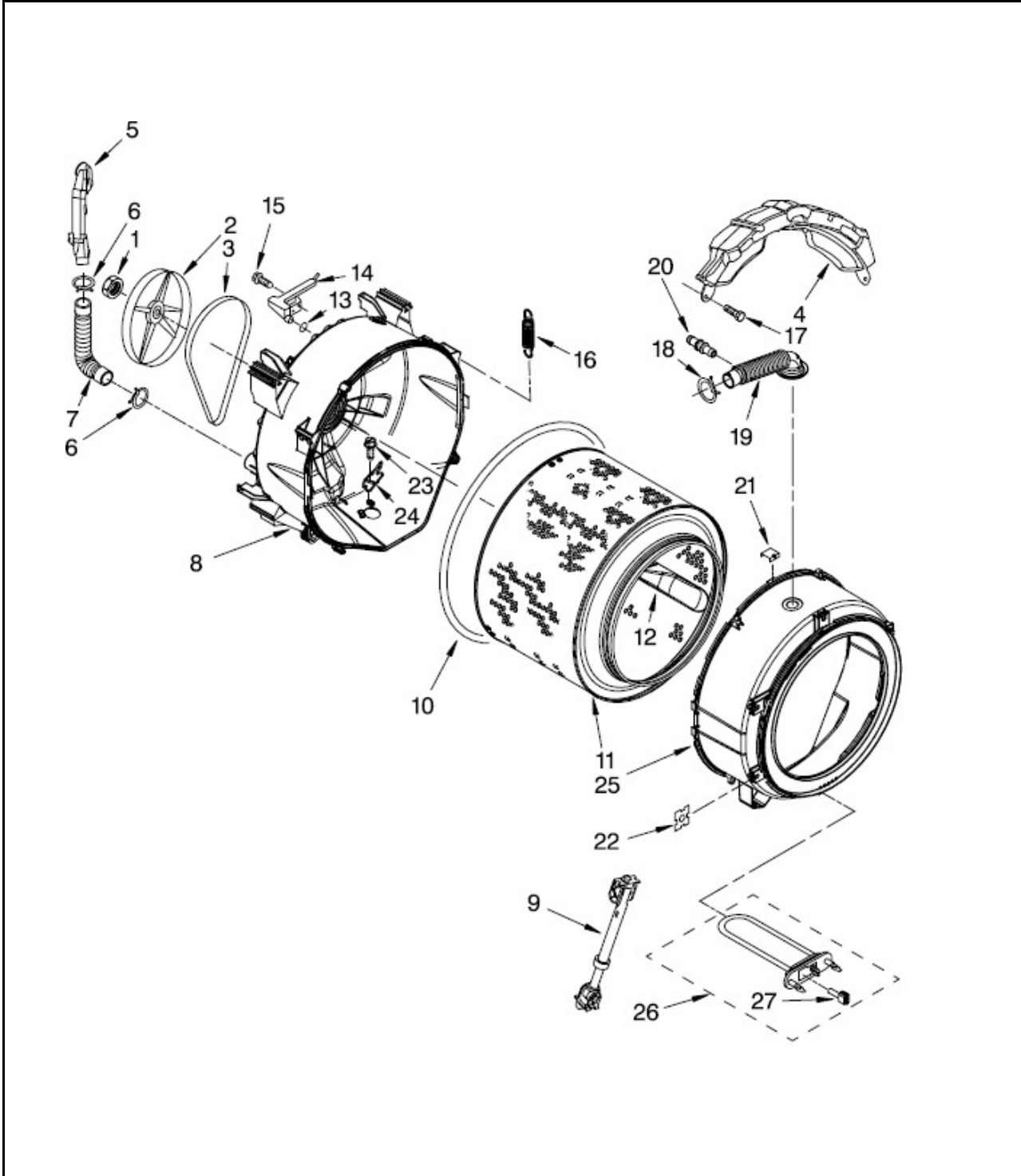


Marca		WHIRLPOOL	
Capacidad		16 Kg	
Color		CHAI	
R e f	Descripción	C a n t	Numero de Parte
DISPENSER			
1	Valve, Inlet	1	461970237662
2	Hose, Flowmeter (L-Shaped)	1	461970228371
3	Clamp	3	370450
4	Flowmeter	1	W10110225
5	Hose, Inlet Nozzle	1	461970230531
6	Nozzle, Inlet	1	8540042
7	Lever, Connection	1	W10003830
8	Cam, Actuator	1	W10003190
9	Lever, Water Distribution	1	W10183517
10	Actuator	1	W10163975
11	Screw	*	***
12	Plate, Distribution	1	W10163868
13	Nozzle, Distribution	1	W10003110
14	Hook, Drawer	1	W10003170
15	Separator, With Selection Slider	1	W10015200
16	Siphon, Bleach/Softener	1	W10164055
17	Cover, Detergent Drawer	1	W10003140
18	Drawer, Detergent (Complete)	1	W10157760
19	Bracket, Handle Fixation	1	W10157880
20	Handle, Drawer (Includes Items 19 & 21)	1	W10183149
21	Medallion	1	W10176673
22	Hose, Inlet Valve To Steamer Siphon	1	461970236781
23	Seal	1	W10003360
24	Tube, Dispenser To Bellow	1	W10005300
25	Dispenser, Complete (Includes Item 9)	1	W10164054
26	Clamp, Hose	1	8540008

LAVADORA MFW9550XH00

Marca	WHIRLPOOL
Capacidad	16 Kg
Color	CHAI

TUB AND BASKET

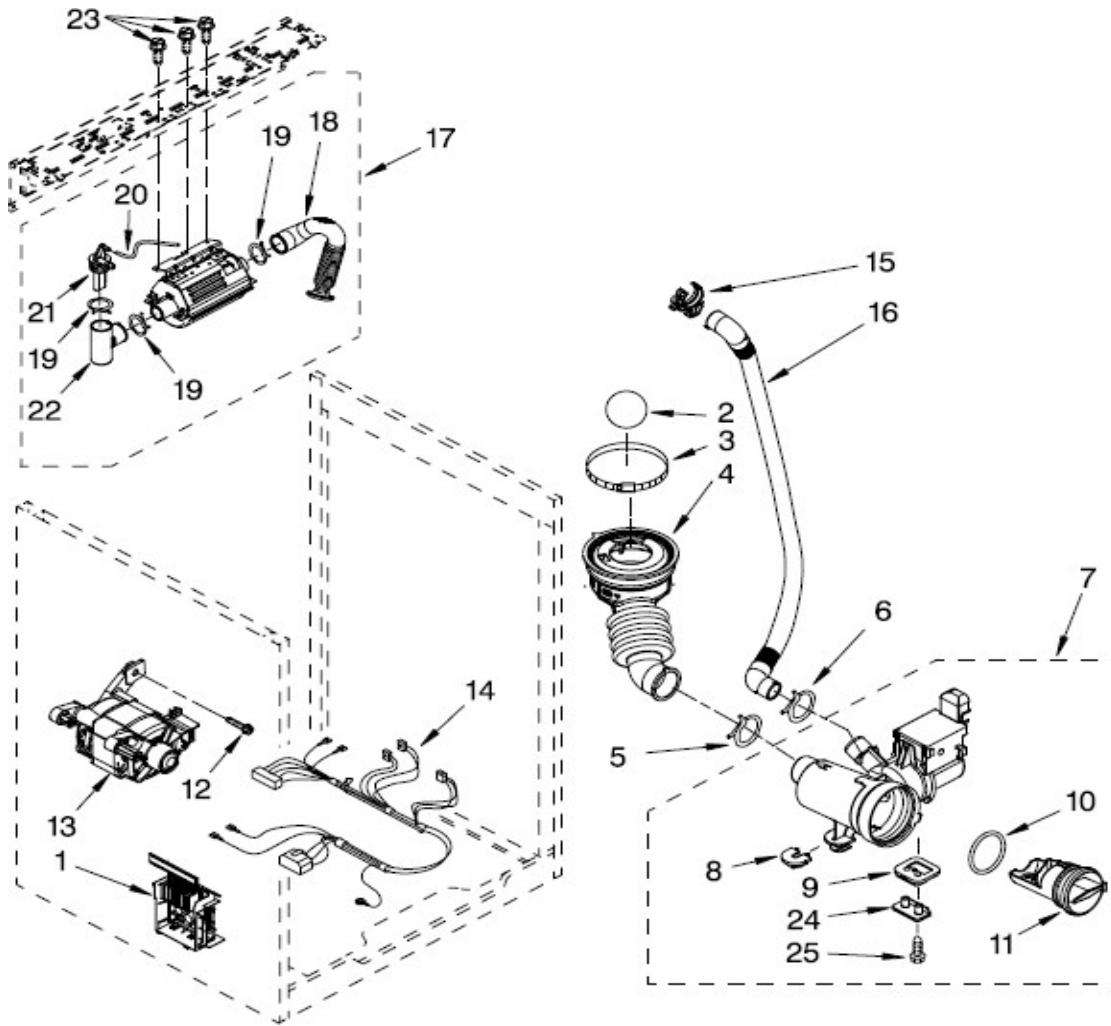


Marca		WHIRLPOOL	
Capacidad		16 Kg	
Color		CHAI	
R e f	Descripción	C a n t	Numero de Parte
TUB AND BASKET			
1	Nut, Pulley	1	8533999
2	Pulley	1	W10003730
3	Belt	1	W10116915
4	Counterweight Front (2)	2	W10163424
5	Pipe, Ventilation	1	W10112169
6	Clamp	2	8540010
7	Hose, Exhaust	1	W10004330
8	Tub, Rear (Includes Items 10, 22, 23 & 24)	1	W10270179
9	Shock Absorber (4)	4	W10015830
10	Gasket, Tub	1	W10036350
11	Basket	1	W10159904
12	Baffle, Tub	3	W10110114
13	O-Ring	3	W10004270
14	Airtrap	1	W10003600
15	Screw	*	***
16	Spring, Suspension (Set Of 2)	2	W10207549
17	Bolt, Counterweight Mtg.	6	W10094780
18	Clamp, Hose	1	3363365
19	Hose, Exhaust	1	461970238021
20	Connector, Overflow Hose	1	W10003260
21	Clamp, Tub	22	8540092
22	Nut, Push-In	7	8540072
23	Screw	*	***
24	Clamp, Heating Element	1	W10015240
25	Tub, Front (Includes Items 10 & 22)	1	W10260212
26	Element, Heating	1	W10155115
27	NTC	1	8540226

LAVADORA MFW9550XH00

Marca	WHIRLPOOL
Capacidad	16 Kg
Color	CHAI

STEAM, PUMP AND MOTOR



Marca		WHIRLPOOL	
Capacidad		16 Kg	
Color		CHAI	
R e f	Descripción	C a n t	Numero de Parte
STEAM, PUMP AND MOTOR			
1	Motor Control Unit	1	W10167662
2	Ball	1	W10003330
3	Clamp	1	8540008
4	Hose, Tub to Pump	1	W10003240
5	Clamp	1	370448
6	Clamp	2	356138
7	Pump (Complete)	1	W10117829
8	Foot, Rubber (Slider)	1	W10034820
9	Foot, Rubber (Lock)	1	W10034830
10	Seal, Filter Cap	1	8540025
11	Cap, Filter	1	8540996
12	Bolt, Motor	1	8540134
13	Motor	1	W10140583
14	Harness, Motor	1	W10186674
15	Retainer, Drain Hose	1	W10003290
16	Drain Hose (Inner)	1	W10003250
17	Steamer, Complete Assembly	1	W10172726
18	Hose, Steamer/Tub	1	461970236851
19	Clamp, Hose (3)	3	251971304022
20	Hose, Overflow	1	461970237762
21	Cap, Siphon	1	461970236791
22	Tank, Siphon	1	461970236801
23	Screw, 8-18 x 5/8	*	***
24	Cap, Lock Foot	1	8540033
25	Screw, 10-16 x 1.25 (2)	*	***

Nota: La referencia que aparezcan en su num de parte con asteriscos ***
indica que no aplica para este modelo