

Whirlpool
CORPORATION

CENTRO DE SOLUCIONES



LO ORIGINAL MARCA DIFERENCIA

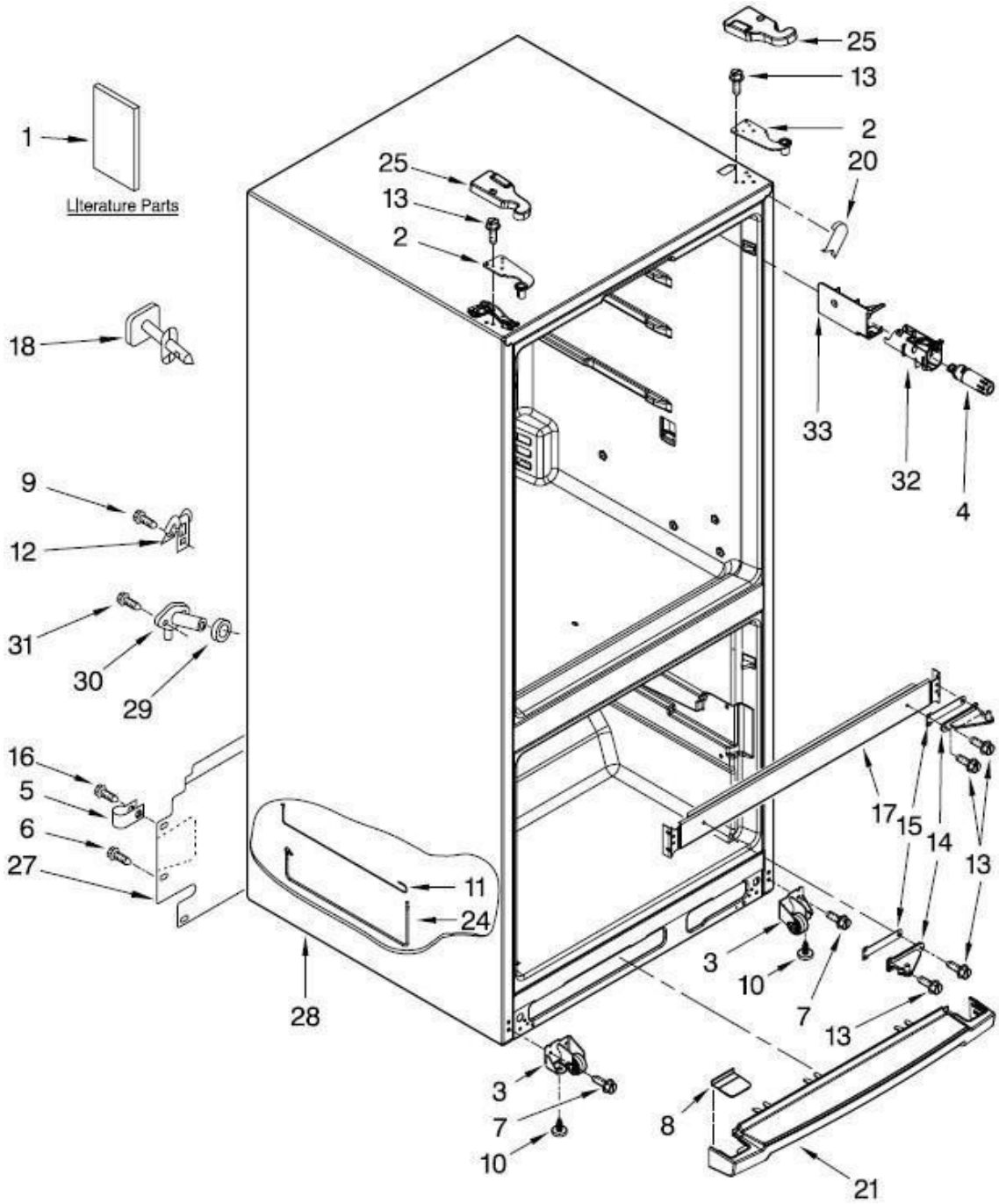
EXPLOSIONADO DE PARTES

— REFRIGERADOR FRENCH DOOR BOTTOM MOUNT —

MODELO | MWRF220SEHV00



REFRIGERADOR MWRF220SEHV00



BENITO JUÁREZ #1500 GPE ZITON, CD. GUADALUPE NUEVO LEÓN TEL: 8183377999 Y 49
HORARIOS: LUNES A VIERNES 8:30 A 6:00 PM Y SÁBADOS DE 8:30 A 2:00 PM
WEB: www.denek.com



REFRIGERADOR MWRF220SEHV00

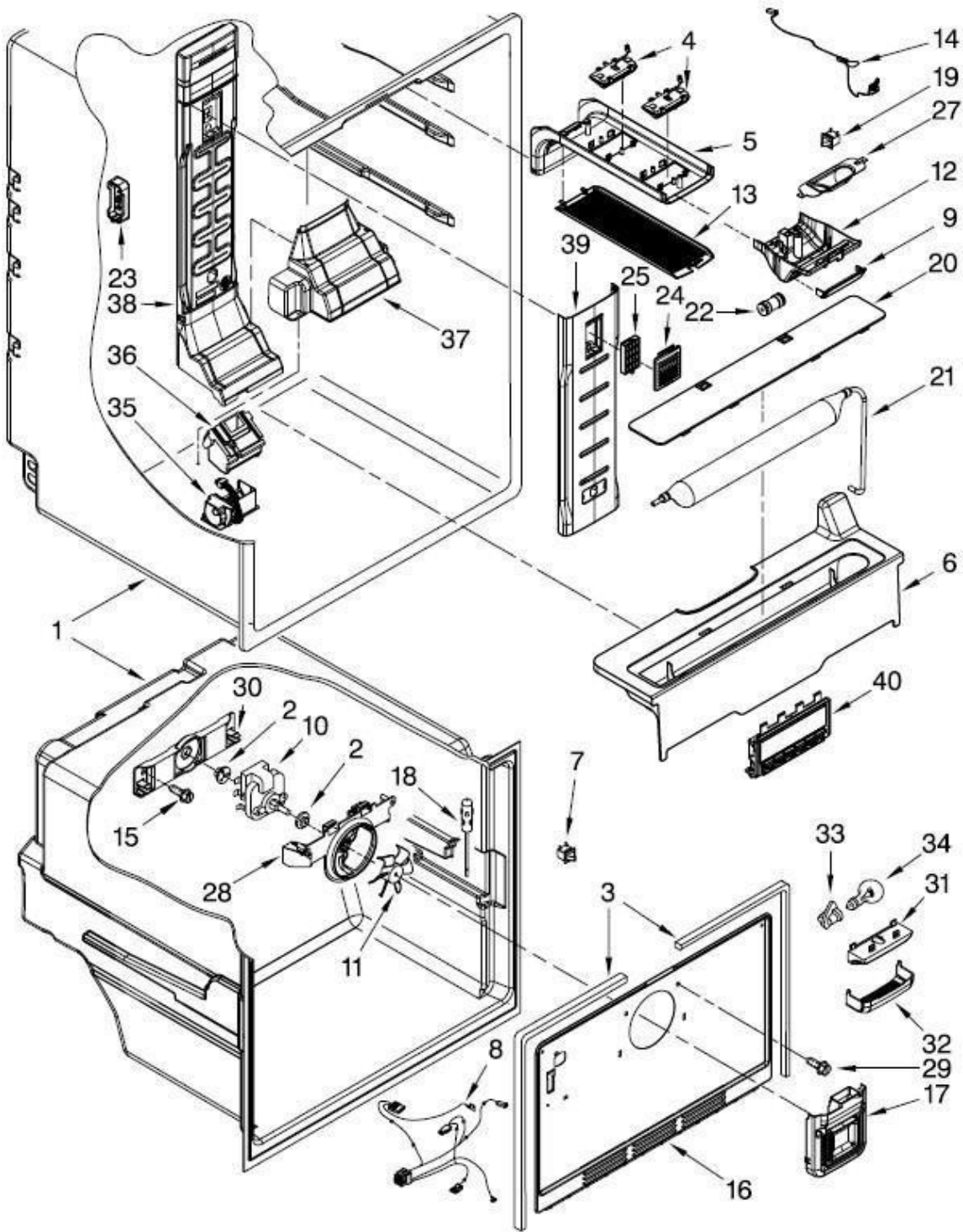
<u>No. Ilus.</u>	<u>DESCRIPCIÓN</u>	<u>Cant.</u>	<u>No. de Parte</u>
1	Literature Parts	**	***
2	Hinge, Top Left	1	W10546298
*	Hinge, Top Right	1	W10546299
3	Roller, Front Left	1	W10359256
*	Roller, Front Right	1	W10359255
4	Water Filter	1	W10790813
5	Clamp, Tube	**	***
6	Screw	**	***
7	Screw	**	***
8	Cover, Toe Grille	2	W10353930
9	Screw	**	***
10	Brake, Roller	1	W10141622
11	Tube, Filter Inlet	1	W10740689
12	Clamp, Cord	1	W10303628
13	Screw	**	***
14	Hinge Center Left	1	W10770878
*	Hinge Center Right	1	W10770877
15	Shim, Hinge	2	W10546301
16	Screw	**	***
17	Rail Center	**	***
18	Fitting, Tube Water	**	***
20	Corner Filler	2	W11189127
21	Grille	1	W10353933
24	Tube, Filter Outlet	1	W10667756
25	Cover Hinge LS	1	W10465771
*	Cover Hinge RS	1	W10465770
27	Cover, Unit	1	W10636716
28	Cabinet	**	***
29	Gasket, Seal	1	1106508
30	Fitting Water Tube	1	W10601149
31	Screw	**	***
32	Housing, Water Filter	1	W10817400
33	Cover, Water Filter	1	W10306392

BENITO JUÁREZ #1500 GPE ZITON, CD. GUADALUPE NUEVO LEÓN TEL: 8183377999 Y 49
HORARIOS: LUNES A VIERNES 8:30 A 6:00 PM Y SÁBADOS DE 8:30 A 2:00 PM

WEB: www.denek.com



REFRIGERADOR MWRF220SEHV00



BENITO JUÁREZ #1500 GPE ZITON, CD. GUADALUPE NUEVO LEÓN TEL: 8183377999 Y 49
HORARIOS: LUNES A VIERNES 8:30 A 6:00 PM Y SÁBADOS DE 8:30 A 2:00 PM
WEB: www.denek.com



REFRIGERADOR MWRF220SEHV00

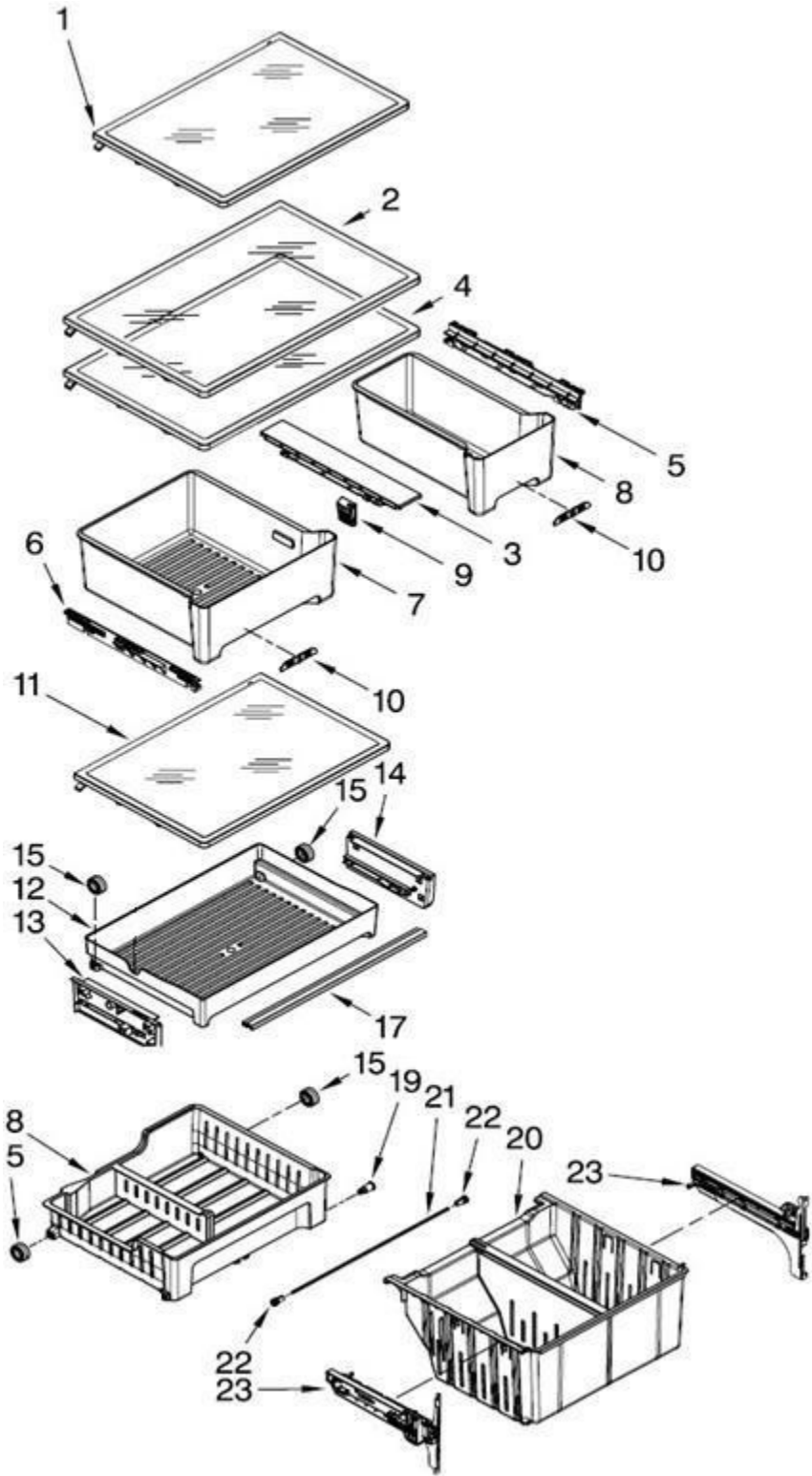
No. Ilus.	DESCRIPCIÓN	Cant.	No. de Parte
1	Liner	**	***
2	Grommet	2	2197380
3	Gasket, Evaporator Cover	2	W10468762
4	LED Light Assembly, RC	2	W10360497
5	Housing, Light RC	1	W10469878
6	Water Reservoir Container	1	W10798439
7	Switch, Rocker Arm	1	12466105
8	Wire Assembly, Evap. Fan	1	W11086791
9	Cover, Control Housing	1	W10459385
10	Fan Motor	1	W10464673
11	Fan Blade	1	2200509
12	Control Housing	1	W10453580
13	Cover, RC Light	1	***
14	Wire Assembly, RC Lighting	1	W10421353
15	Screw	**	***
16	Cover, Evaporator	1	W10300900
17	FC Tower	1	W10317182
18	Thermistor, FC	1	W10384183
19	Rocker Arm Switch	2	1118894
20	Cover, Water Reservoir	1	W10413160
21	Water Reservoir, Single	1	W10568672
22	Connector, Water	1	W10271541
23	Cover, Thermistor	2	W10425252
24	Grille, Air Filter	1	W10330850
25	Antibacterial Filter	1	W10315189
27	Shield Heat	1	W10314195
28	Bracket, Fan Motor	1	W10321162
29	Screw		***
30	Bracket Evap. Fan, Rear	1	2254454
31	Housing, Lighting FC	1	W10313917
32	Light Cover, FC	1	W10313918
33	Light Socket, FC	1	W10440814
34	Light Bulb, FC	1	W10809513
35	Damper, Electronic Control	1	W10745484
36	Cover, Damper Housing	1	W10474775
37	Housing Damper	1	W10314204
38	Multiflow Assy	1	W10448448
39	Multiflow Cover	1	W10356895
40	Screw Cup	1	W10336009

BENITO JUÁREZ #1500 GPE ZITON, CD. GUADALUPE NUEVO LEÓN TEL: 8183377999 Y 49
HORARIOS: LUNES A VIERNES 8:30 A 6:00 PM Y SÁBADOS DE 8:30 A 2:00 PM

WEB: www.denek.com



REFRIGERADOR MWRF220SEHV00



BENITO JUÁREZ #1500 GPE ZITON, CD. GUADALUPE NUEVO LEÓN TEL: 8183377999 Y 49
HORARIOS: LUNES A VIERNES 8:30 A 6:00 PM Y SÁBADOS DE 8:30 A 2:00 PM
WEB: www.denek.com

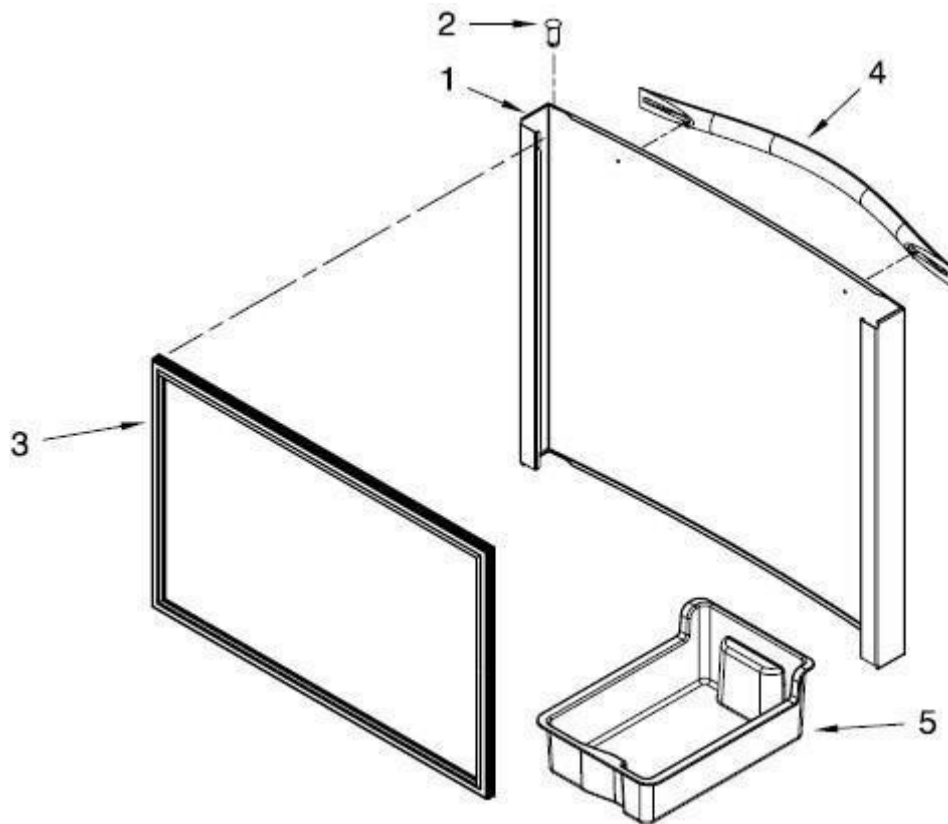


REFRIGERADOR MWRF220SEHV00

No. Ilus.	DESCRIPCIÓN	Cant.	No. de Parte
1	Shelf Full 30"	1	W10486290
2	Shelf Full 30" White	1	W10809784
3	Track Rail Center	1	W10468557
4	Crisper Cover	1	W10809784
5	Track Rail RS	1	W10468556
6	Track Rail LS	1	W10468555
7	Crisper Pan, 16"	1	W10370327
8	Crisper Pan 8"	1	W10317184
10	Humidity Control	2	W10356844
11	Cover Glass, Pantry	1	W10513681
12	Pantry, Deli Pan Assembly	1	W10397907
13	Rail, Pantry, LH	1	W10397908
14	Rail, Pantry, RH	1	W10414530
15	Roller	*	***
17	Support Assembly, Pantry Cover	1	W10507470
18	Freezer Bin, Upper	1	W10555437
19	Axle, Roller	*	***
20	Freezer Basket, Lower	1	W10317289
21	Shaft, Rack	1	W10802342
22	Collar, Gear	2	W10277361
23	Adaptador Freezer LH	1	W10397636
*	Adaptador Freezer RH	1	W10397635



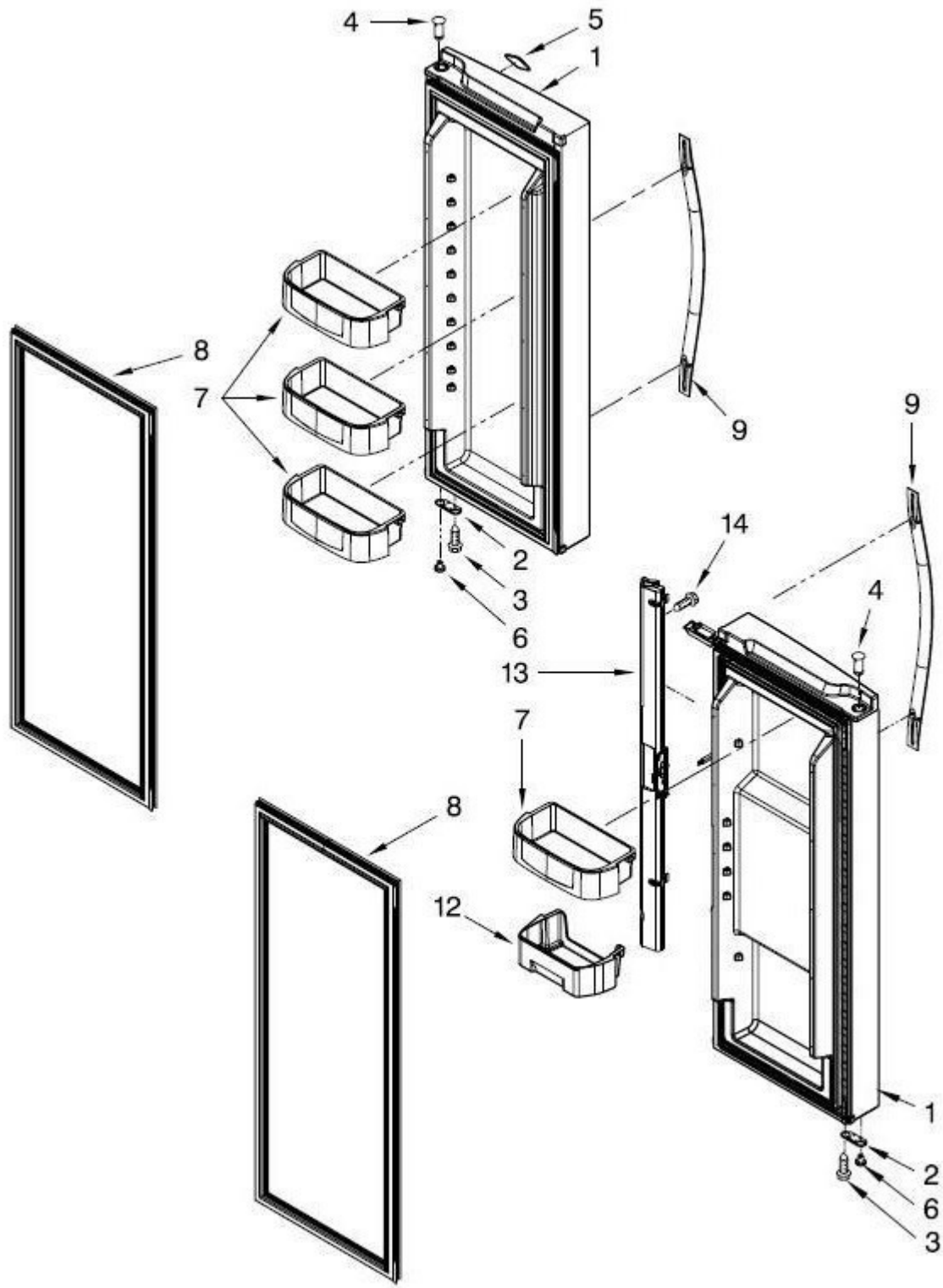
REFRIGERADOR MWRF220SEHV00



No. Ilus.	DESCRIPCIÓN	Cant.	No. de Parte
1	Freezer Door	1	LW10865766
2	Thimble	1	W10334042
3	Gasket, FC	1	W10465761
4	Handle Assembly	1	W10686487
5	Ice Pan	1	W10378263



REFRIGERADOR MWRF220SEHV00



BENITO JUÁREZ #1500 GPE ZITON, CD. GUADALUPE NUEVO LEÓN TEL: 8183377999 Y 49
HORARIOS: LUNES A VIERNES 8:30 A 6:00 PM Y SÁBADOS DE 8:30 A 2:00 PM
WEB: www.denek.com



REFRIGERADOR MWRF220SEHV00

No. Ilus.	DESCRIPCIÓN	Cant.	No. de Parte
1	Refrigerator Door LH	1	W11251341
*	Refrigerator Door RH	1	LW10865738
2	Bracket, Door Stop	1	2189202
3	Screw	**	***
4	Thimble RH	1	W10366270
*	Thimble LH	1	W10334042
5	Badge, Whirlpool	1	W10884775
6	Door Closure	1	W10470155
7	Bin, Door, Medium	5	W10308869
8	Gasket, RC	1	W10413465
9	Handle Assembly	2	W10686482
12	Shallow Bin	1	W10326335
13	Flipper Mullion Assembly	1	W10624453

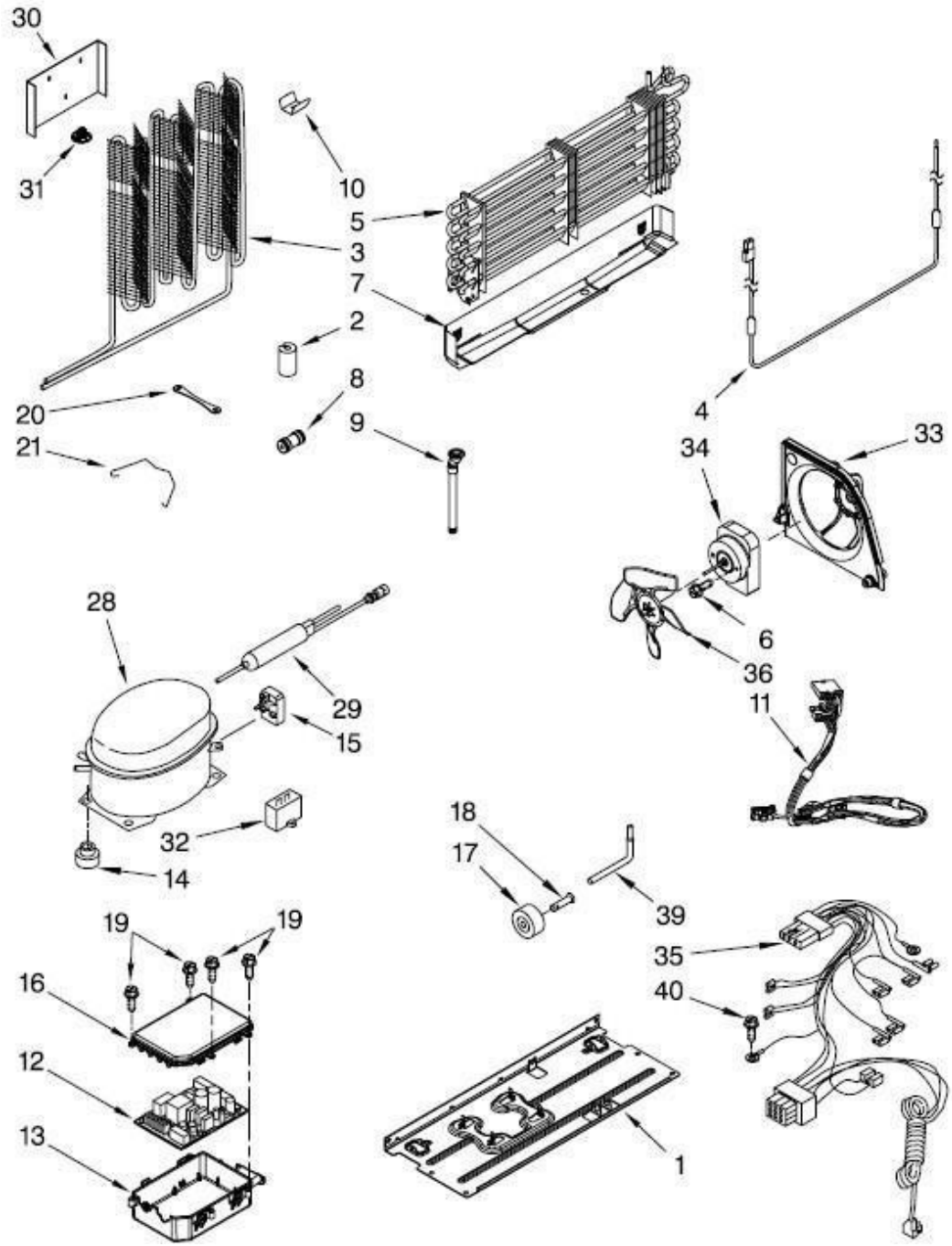
BENITO JUÁREZ #1500 GPE ZITON, CD. GUADALUPE NUEVO LEÓN TEL: 8183377999 Y 49

HORARIOS: LUNES A VIERNES 8:30 A 6:00 PM Y SÁBADOS DE 8:30 A 2:00 PM

WEB: www.denek.com



REFRIGERADOR MWRF220SEHV00



BENITO JUÁREZ #1500 GPE ZITON, CD. GUADALUPE NUEVO LEÓN TEL: 8183377999 Y 49
HORARIOS: LUNES A VIERNES 8:30 A 6:00 PM Y SÁBADOS DE 8:30 A 2:00 PM
WEB: www.denek.com



REFRIGERADOR MWRF220SEHV00

No. Ilus.	DESCRIPCIÓN	Cant.	No. de Parte
1	Plate, Unit Mounting	1	W10300116
2	Grommet, Condenser	3	2319835
3	Condenser	1	W10342567
4	Heater, Defrost	1	W10436849
5	Evaporator Assy	1	W10321158
6	Screw	**	***
7	Drain Pan	1	W10802027
8	Connector, Water Tube	1	W10271541
9	Drain Tube	1	W10314199
10	Clip, Condenser Mounting	4	W10248621
11	Wire Assembly, Low Voltage	1	W10424230
12	Electronic Control Minotaur	1	W10892333
13	Enclosure	1	2323186
14	Grommet	4	10835903
15	Start-Device Combination	1	W10796752
16	Cover, Electronic Control	1	W10313215
17	Roller	2	W10475495
18	Rivet	2	2179826
19	Screw	**	***
20	Strap, Compressor	2	W10236396
21	Bale Strap	1	W10174383
28	Compressor	1	W10808762
29	Drier	1	W10669573
30	Cover, Condenser Bottom	1	W10349514
31	Clip, Cover	1	W10815861
32	Capacitor	1	W10642075
33	Air Baffle	1	2315541
34	Motor, Condenser	1	W10530280
35	Wire Assy, Unit	1	W10633276
36	Fan Blade	1	W10817071
39	Tube, Process	**	***
40	Screw	**	***

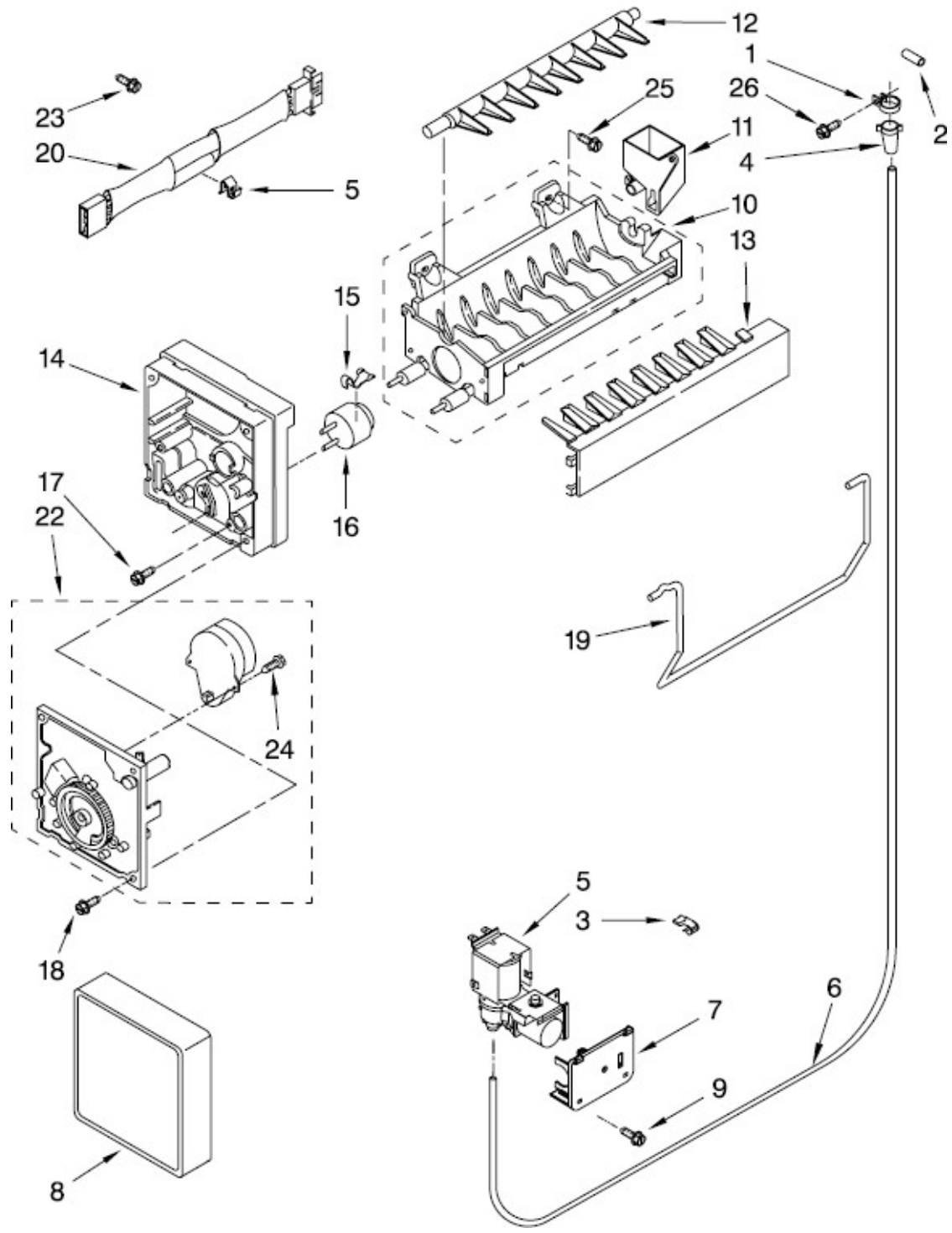
BENITO JUÁREZ #1500 GPE ZITON, CD. GUADALUPE NUEVO LEÓN TEL: 8183377999 Y 49

HORARIOS: LUNES A VIERNES 8:30 A 6:00 PM Y SÁBADOS DE 8:30 A 2:00 PM

WEB: www.denek.com



REFRIGERADOR MWRF220SEHV00



BENITO JUÁREZ #1500 GPE ZITON, CD. GUADALUPE NUEVO LEÓN TEL: 8183377999 Y 49
HORARIOS: LUNES A VIERNES 8:30 A 6:00 PM Y SÁBADOS DE 8:30 A 2:00 PM
WEB: www.denek.com



REFRIGERADOR MWRF220SEHV00

No. Ilus.	DESCRIPCIÓN	Cant.	No. de Parte
1	Clamp, Tube	**	***
2	Tube, Water Inlet	1	W10496649
3	Clip, Water Valve	**	***
4	Insert, Tube	1	2181939
5	Valve Solenoid (Single)	1	W10498992
	Valve Solenoid (Dual)	**	***
6	Tube, Water Valve	1	W10664272
7	Bracket, Water Valve, Dual	1	W10237915
8	Cover, IM Module	1	W10289690
9	Screw	**	***
10	Mold & Heater Assy	1	628228
11	Cup, Water Fill	1	W10435665
12	Ejector	1	627843
13	Ice Stripper	1	W10699925
14	Support	1	2194712
15	Retainer Thermostat	2	2315522
16	Thermostat	1	628397
17	Screw	**	***
18	Screw	**	***
19	Shut Off Arm	1	W10474785
20	Harness, Wiring	1	W10309400
22	Module Assy	1	W10223929
23	Screw	**	***
24	Screw	**	***
25	Screw	**	***
26	Screw	**	***
100	Icemaker, Complete Assy	1	W10632400

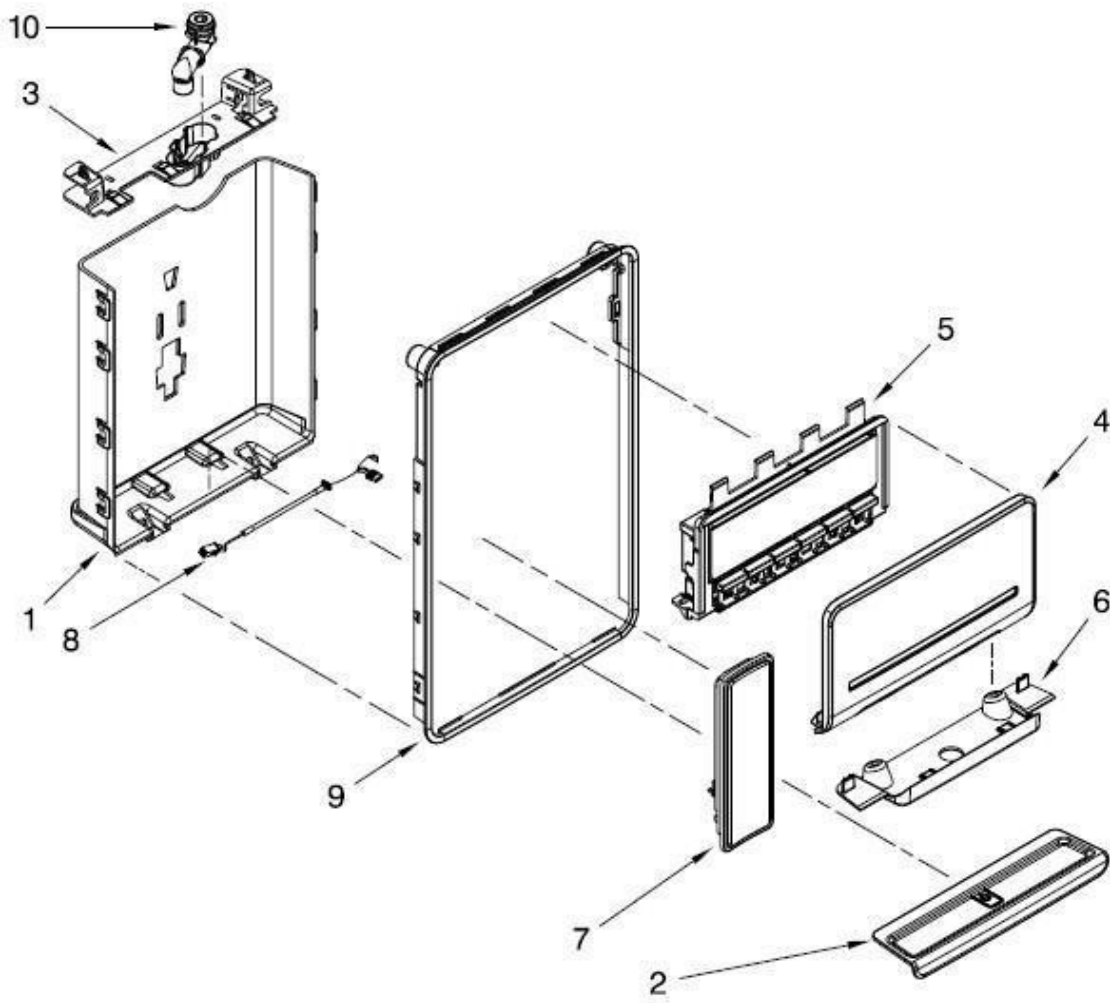
BENITO JUÁREZ #1500 GPE ZITON, CD. GUADALUPE NUEVO LEÓN TEL: 8183377999 Y 49

HORARIOS: LUNES A VIERNES 8:30 A 6:00 PM Y SÁBADOS DE 8:30 A 2:00 PM

WEB: www.denek.com



REFRIGERADOR MWRF220SEHV00



BENITO JUÁREZ #1500 GPE ZITON, CD. GUADALUPE NUEVO LEÓN TEL: 8183377999 Y 49
HORARIOS: LUNES A VIERNES 8:30 A 6:00 PM Y SÁBADOS DE 8:30 A 2:00 PM
WEB: www.denek.com



REFRIGERADOR MWRF220SEHV00

No. Ilus.	DESCRIPCIÓN	Cant.	No. de Parte
1	Housing, Dispenser	1	W10465722
2	Drip Tray	1	W10356018
3	Separator	1	W10300437
4	Fascia, Sparsh	1	W10435576
5	UI Assembly, Sparsh	1	W11027238
6	Cover, Separator	1	W10356029
7	Pad Assy, Single	1	W10433546
8	Wire Assembly, Dispenser	1	W10390392
9	Trim Ring	1	W10356017
10	Spigot	1	2305235