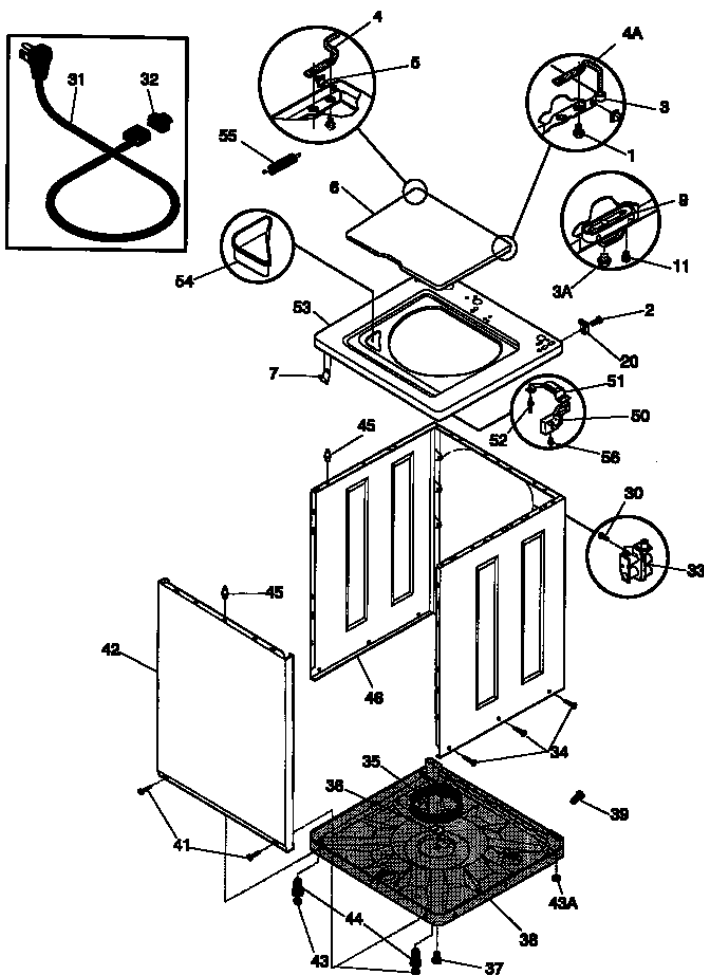


Distribuidor Autorizado

SurteRápido.com

Venta de Refacciones
Electrodomesticas

MWX433REW1 GABINETE





MWX433REW1 GABINETE

1	131587500	SCREW-HINGE, PPH 45 DEG HDRPT, (S/P)
2	131168200	SCREW, 8-18 X 0.31 (S/P)
3	131433300	BUMPER-HINGE (S/P)
3	134075500	BUMPER-LID
4	131374210	HINGE-BAR, RH (S/P)
4	131385910	HINGE-BAR, LH (S/P)
5	5303208743	GROMMET-LID (S/P)
6	131374401	LID, WHITE, W/O INST (S/P)
7	3205821	CLIP-TOP PANEL, TO FRONT PANEL (S/P)
9	131390000	STRIKE-LID
11	3204368	SCREW-STRIKE, PFH B, 6-20 X .375 (S/P)
20	5303208751	HINGE-REAR CABINET
30	131202300	SCREW-, PPH AB, 10-16 X 0.625 (S/P)
31	134501000	CORD-SERVICE (S/P)
32	5303209428	BUSHING-CORD (S/P)
33	134190200	VALVE-WATER
34	131205500	SCREW-BODY, 1/4-14 X 0.625 (S/P)
35	5308002385	RING-SNUBBER
36	3204380	BLOCK-SHIPPING (S/P)
37	131102900	SCREW-SHIPPING, HH AB YEL, 1/4-14 X 0.750 (S/P)
38	5303311213	BASE ASSEMBLY (S/P)
39	131205100	SCREW, NO. 8 PAN HEAD, 10-10B X 0.50, (S/P)
41	131258400	SCREW-FRONT PNL, COMB TH AB, (S/P)
42	131104303	PANEL-FRONT, WHITE (S/P)
43	131422100	PAD-LEVELING LEG
43	131422200	PAD-LEVEL LEG (S/P)
44	5303309673	LEG-LEVELING, WITH PAD
45	131346400	PIN-LOCATING (S/P)
46	134046600	BODY-WHITE (S/P)
50	134101800	LOCK-LID
51	134101800	BRACKET-LID LOCK
52	8002420	RIVET-LID SWITCH (S/P)
53	131452692	PANEL-TOP, WHITE (S/P)

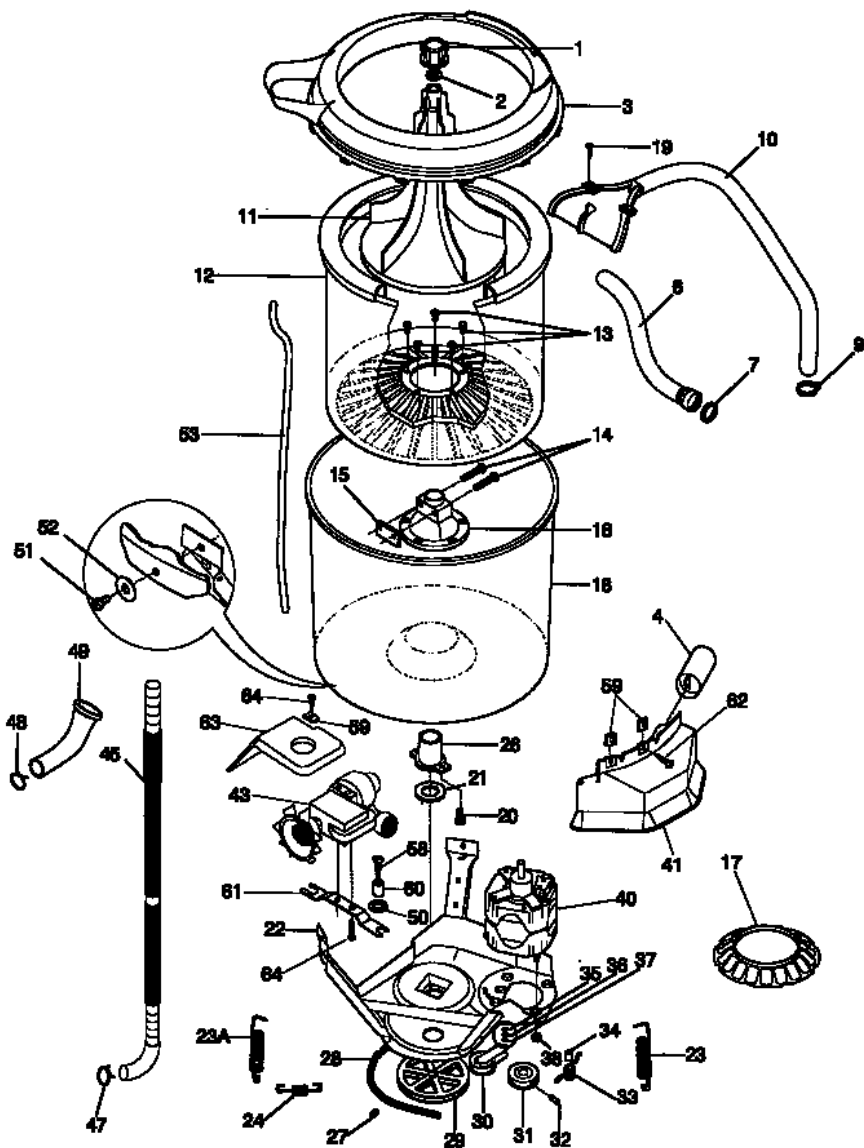
54	5303208778	DISPENSER-BLEACH (S/P)
55	5303212876	SPRING-LID
56	131243800	SCREW, PAN HD LOCKING, (S/P)

Distribuidor Autorizado

SurteRápido.com

Venta de Refacciones
Electrodomesticas

MWX43REW1 TINAS





MWX43REW1 TINAS

1	3204395	CAP-AGITATOR
2	3204396	SEAL-CAP
3	131398303	COVER-SPLASH TUB
4	131212301	CAPACITOR (S/P)
6	131279600	HOSE-INLET (S/P)
7	5303161296	WASHER-INLET HOSE (S/P)
9	5303304824	CLAMP
10	131726300	HOSE & NOZZLE
11	3204401	AGITATOR
12	131370400	TUB-SPIN, AND TRUNNION
13	5303283293	SCREW-TRUNNION, UNC2A X .625, .312-18, (5)
14	131192800	SCREW-LOCKPLATE, HX, .312-18 X 1.625 (S/P)
15	5308001923	LOCK PLATE
16	131545101	TRUNNION
17	131076600	FILTER-LINT (S/P)
18	131557201	TUB-SPLASH, W/AIR DOME, BRNG (S/P)
19	131205300	SCREW, 10-16 X .75 (S/P)
20	3205150	SCREW-TUB BEARING, PPH B ST/Z, (S/P)
21	5308002401	WASHER, SPIN BEARING, UPPER (S/P)
22	131373610	LEG & DOME ASSY
23	5303208858	SPRING-VERTICAL, SHORT
23	5303208860	SPRING-VERTICAL (S/P)
24	131373900	SPRING-HORIZONTAL
26	3204405	BEARING-OUTER TUB
27	5303304825	SCREW-SET, HHD CUP PT, 5/16-18 X .85 (S/P)
28	131686100	BELT-WASHER
29	131498300	PULLEY-TRANSMISSION
30	131862900	ARM-IDLER
31	3204423	PULLEY-MOTOR
32	3204424	PIN-ROLL (S/P)
33	3204425	SPRING-TORSION
34	3204426	SLEEVE-IDLER
35	3161433	RING-RETAINING (S/P)

36	5303261031	WASHER-PIVOT SHAFT
37	5303161306	WASHER-SPRING
38	5303318708	NUT-MOTOR (S/P)
40	131561900	MOTOR-MAIN DESCONTINUADO
41	131513300	SHIELD-MOTOR (S/P)
43	131268401	PUMP-COMPLETE
47	131306234	CLAMP-HOSE TO TUB (S/P)
48	131306234	CLAMP-PUMP (S/P)
49	131494800	HOSE-PUMP TO TUB
50	131268600	GROMMET-PUMP (S/P)
51	3204459	SCREW-LEG TO TUB, HWH 23, .31-18 X .875 (S/P)
52	3005891	WASHER-LEG, ID X .040, 1.25 OD X .335 (S/P)
53	5300771996	TUBE-PRESSURE (S/P)
58	131464900	SCREW-PUMP-TO BRACKET (S/P)
59	5303283052	CLIP-SHIELD (S/P)
60	131268700	SPACER-PUMP (S/P)
61	131268500	BRACKET-PUMP (S/P)
62	131420300	SCREW, CR TRUSS HEAD, 8-18AB X 0.750 (S/P)
63	131494300	SHIELD-PUMP (S/P)
64	5303283072	SCREW, PUMP/BRK/SHIELD (S/P)
45B	131506500	CLIP-DRAIN HOSE (NOT ILLUSTRATED) (S/P)
45A	131461200	HOSE-DRAIN, 90 INCH

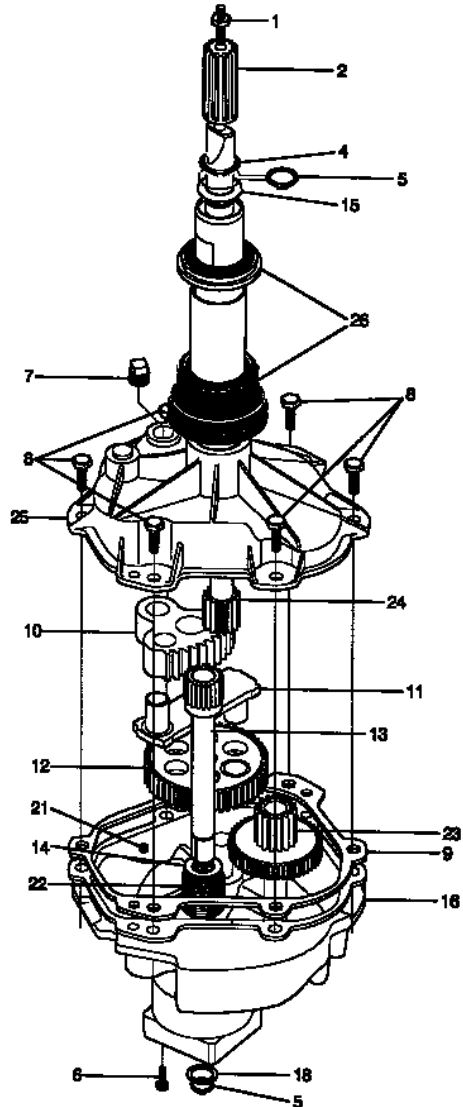
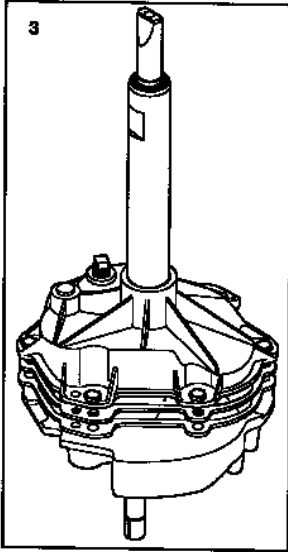
Distribuidor Autorizado

SurteRápido.com

Venta de Refacciones
Electrodomesticas



MWX433REW1 TRANSMISION





MWX433REW1 TRANSMISION

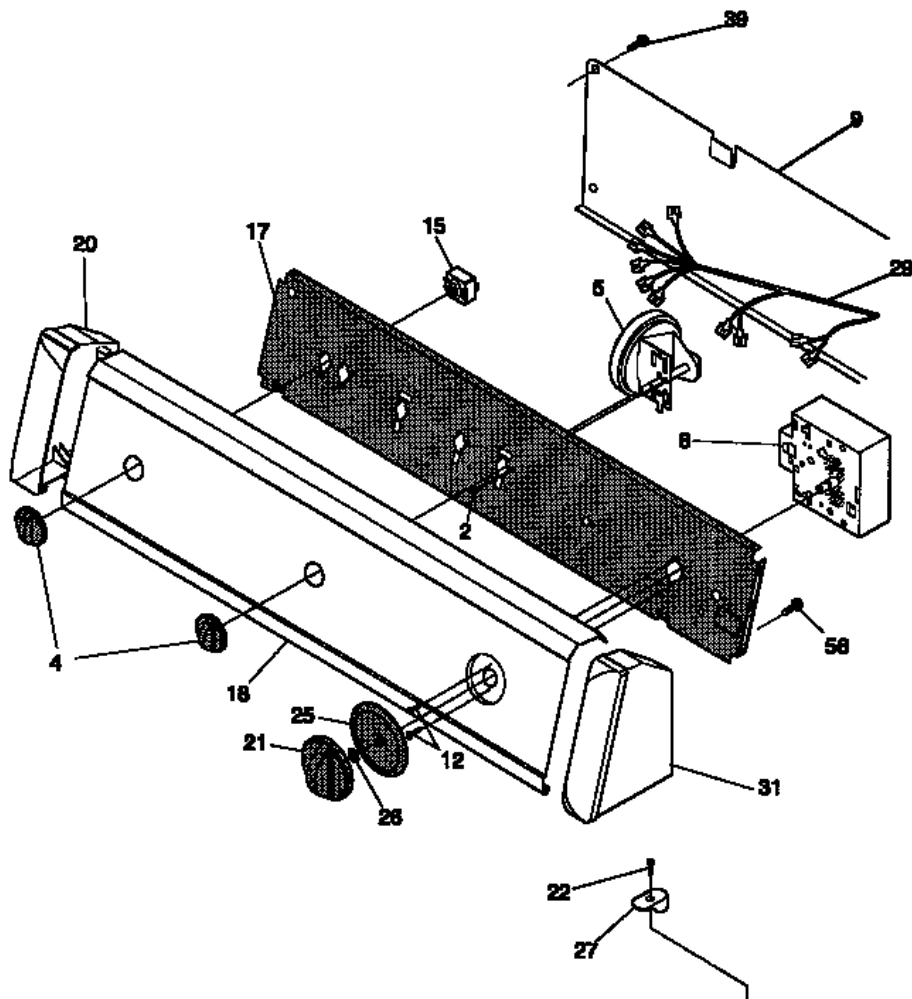
1	131206800	STUD-AGITATOR CAP (S/P)
2	134418700	HUB-DRIVE, AGITATOR
3	134588800	TRANSMISSION ASSY
4	5303161307	SEAL-UPPER LIP
5	5303161223	RING-RETAINING
6	131346600	SCREW (S/P)
7	5303161224	PLUG-PIPE (S/P)
8	5308002804	SCREW-TRANSM (S/P)
9	5308015778	GASKET
10	5308011268	GEAR-SECTOR
11	131632701	ROD-CONNECTING
12	5308015496	GEAR-CRANK
13	5308014905	SHAFT-LOWER DESCONTINUADO
14	5303161226	WASHER-THRUST (S/P)
15	5303161232	WASHER DESCONTINUADO
16	131557800	HOUSING-LOWER DESCONTINUADO
18	5308002475	WASHER-SPACER (S/P)
21	3005242	OIL-TRANSMISSION, 1 QT (S/P)
22	5303161174	SPRING-SMALL LGS
23	5303161175	GEAR-IDLER
24	5308015507	SHAFT-AGITATOR (S/P)
25	131878300	HOUSING-UPPER (S/P)
26	5308950197	SEAL-TUB

Distribuidor Autorizado

SurteRápido.com

Venta de Refacciones
Electrodomesticas

MWX433REW1 TABLERO





MWX433REW1 TABLERO

2	131168200	SCREW, 8-18 X 0.31 (S/P)
4	131786602	KNOB-ROTARY, BLACK/GRAY, (2)
5	131047500	SWITCH-PRESSURE
8	131436800	TIMER-WASHER
9	3205898	BACKSHEET-CONSOLE (S/P)
12	3161188	SCREW-TIMER, PTH ST, 8-32NC-2A X .25 (S/P)
15	134407700	SWITCH-TEMPERATURE (S/P)
17	131728900	BRACKET-CONTROLS (S/P)
18	131508200	PANEL-CONTROL, WHITE (S/P)
20	5303291344	END CAP, BLACK, LH (S/P)
21	131118400	KNOB-TIMER, BLACK
22	131266300	SCREW-END CAP, CR OVAL HEAD, (S/P)
25	131118502	DIAL-TIMER, BLACK/GRAY (S/P)
26	5308015493	SPACER-TIMER SHAFT (S/P)
27	131197000	CLIP-CONTROL PANEL (S/P)
29	131645100	HARNESS (S/P)
31	5303291352	END CAP, BLACK, RH
39	131205100	SCREW, NO. 8 PAN HEAD, 10-10B X 0.50 (S/P)
56	131243800	SCREW, PAN HD LOCKING, (S/P)