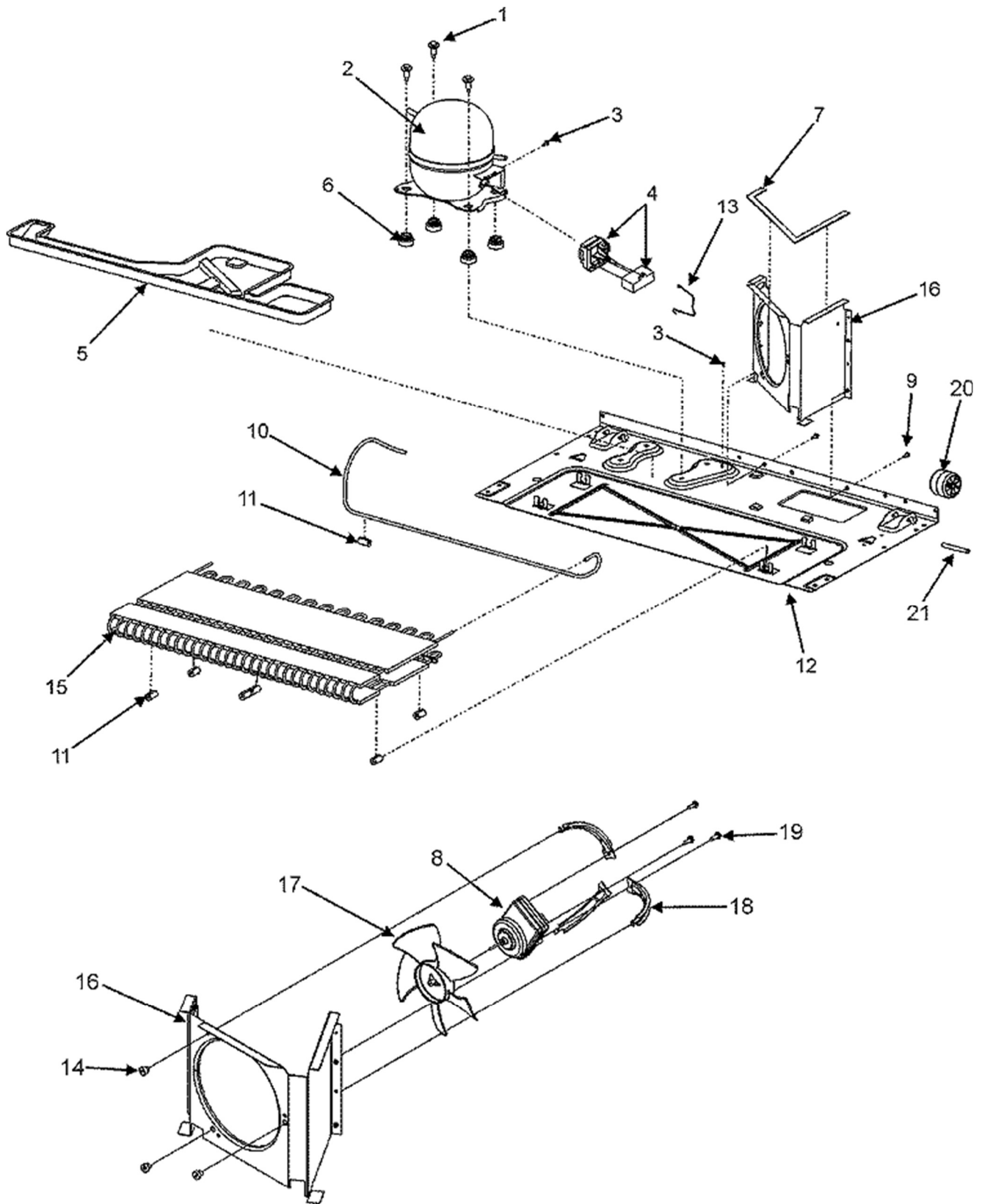
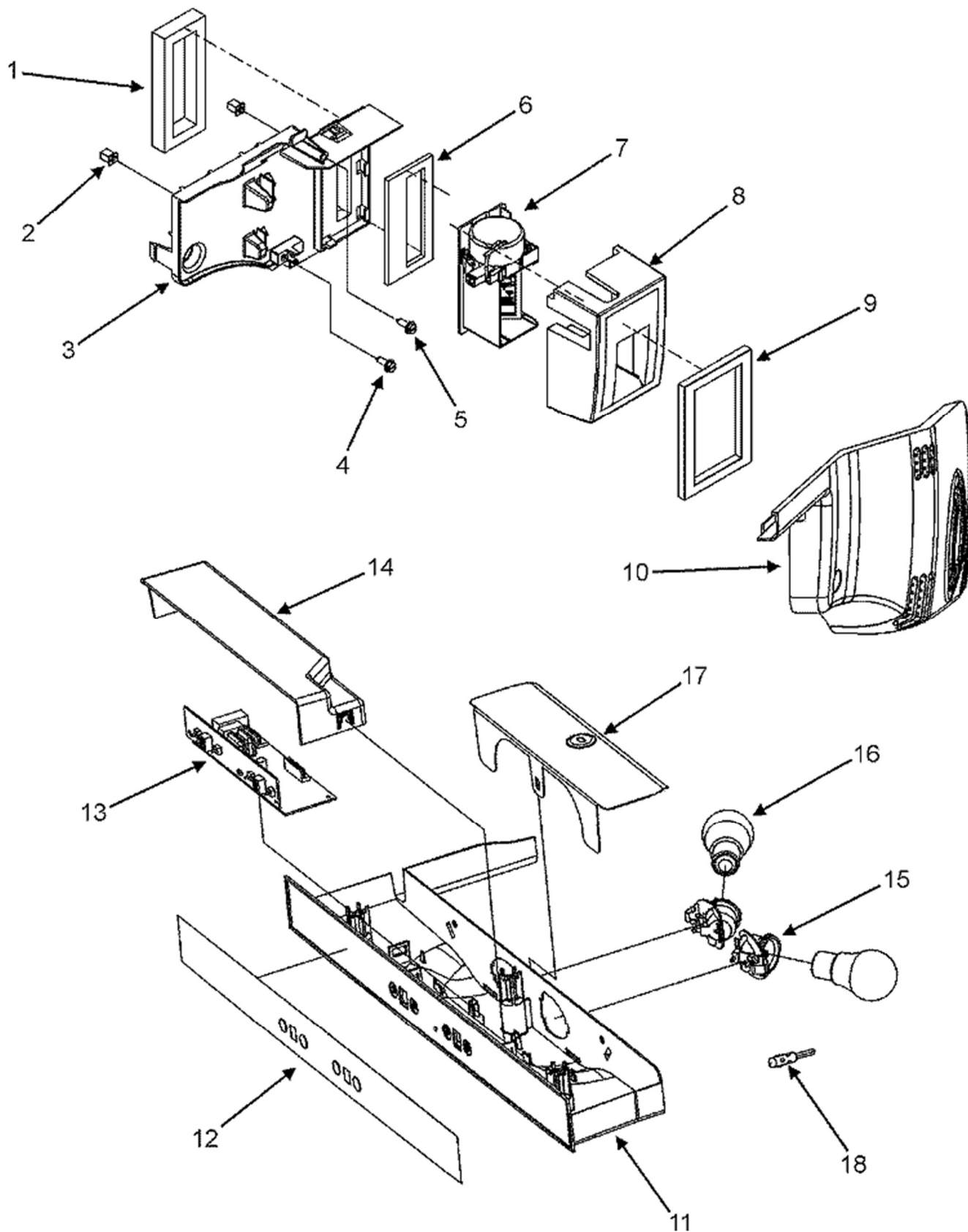


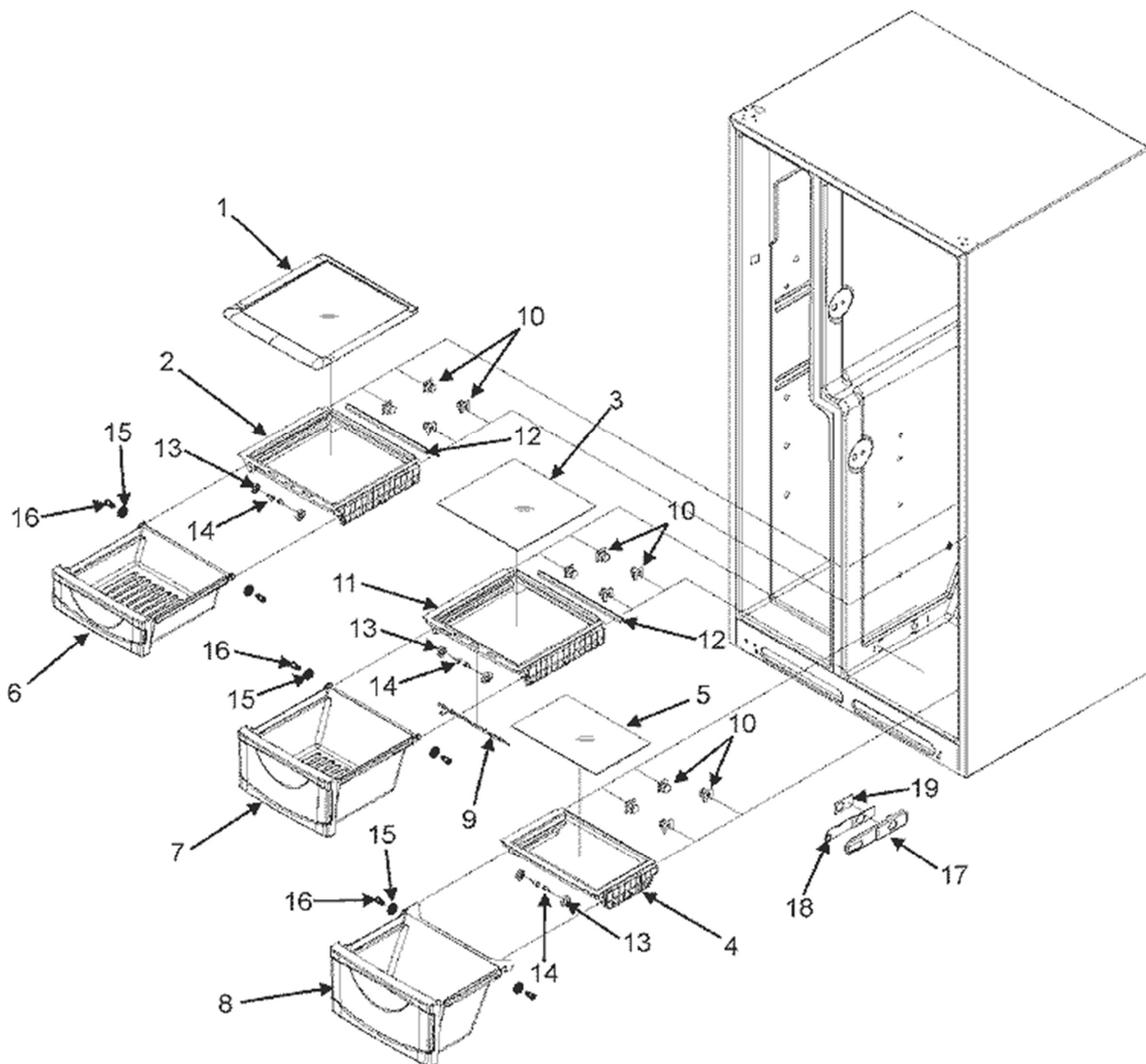
Guía	Descripción	# de parte
1	ELBOW- FIL	WP67003576
2	Speed Clamp Clip	WPM0114003
3	Plastic Tubing	WPB5705307
4	Plastic Tube Insert	WPA3223101
5	Clip	WPM0104106
6	Power Cord - Black	WP67006506
7	USE WPL 67006433	12992301
8	GASKET- MC	B5759649
9	Insulation	67003796
10	Machine Compartment Cover - Black	67006101
11	Screw	67006425
12	SCREW	67006841
13	USE WPL 12751511	67004098
14	Dual Water Inlet Valve	WP67006531
15	Water Tubing Clamp	W10833902
16	Drier	WPB2150504
17	CLIP- DRIE	10547002
18	Tube Clamp	WP488366
19	TUBE- DRAI	12580401
20	BLOCK- FIL	WP12777701
21	CLAMP-TUBE	12831101
22	TRACK- WAT	67004102



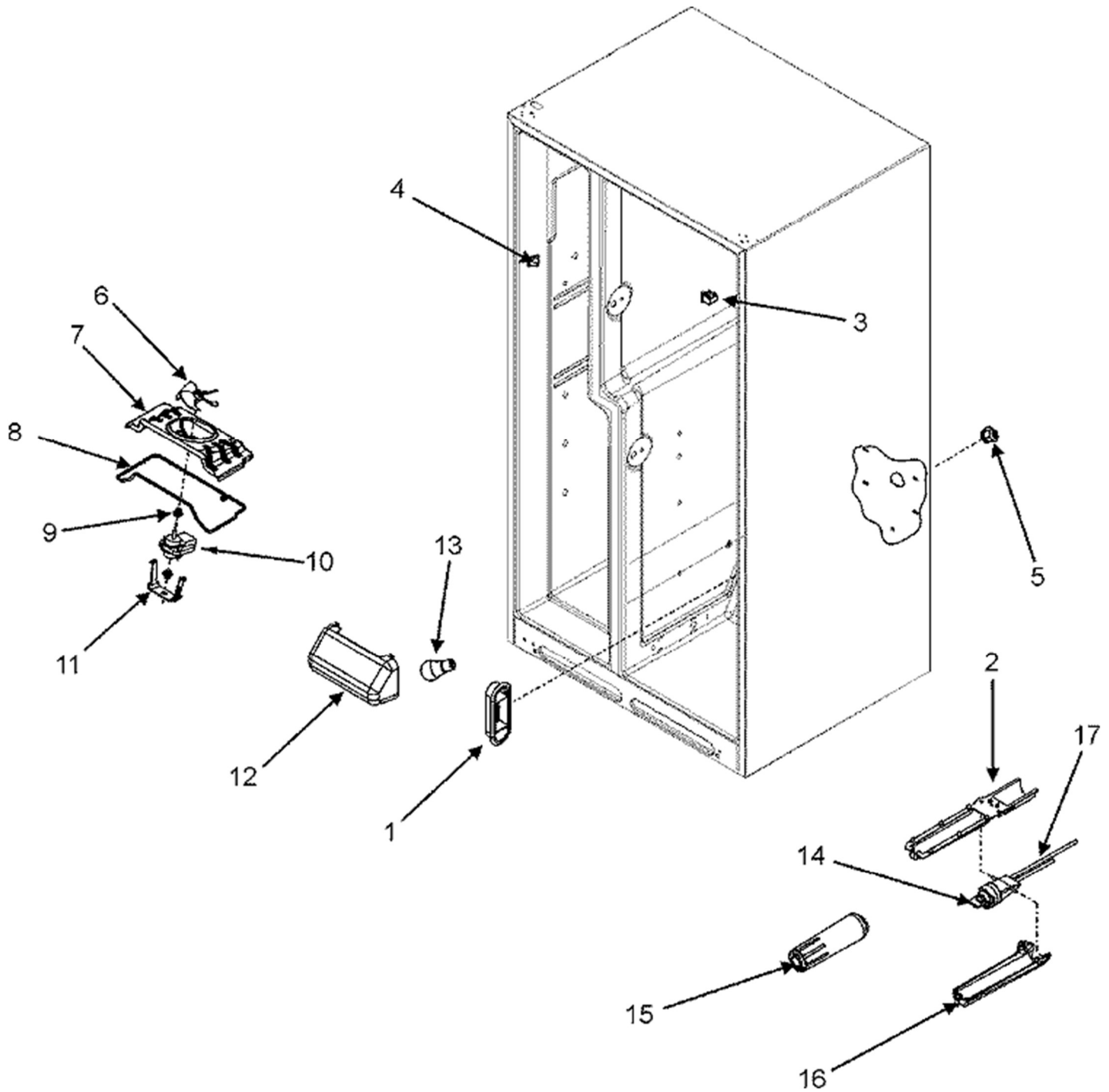
Guía	Descripción	# de parte
1	SCREW	12846902
2	Compressor Kit	W10309990
3	USE WPL 67006433	12992301
4	Compressor Start Device and Capacitor	W10613606
5	PAN- DRAIN	WP12579803
6	Compressor Grommet	67003493
7	SEAL-STRIP	WP854334
8	MOTOR-COND FAN,115VAC 1090RPM	W11613295
9	Screw	67006425
10	TUBE- DISC	WP12866903
11	GROMMET- C	67005680
12	PAN- BASE	12457108
13	CLIP	12576801
14	Dual Water Inlet Valve	WP67006531
15	Water Tubing Clamp	W10833902
16	Drier	WPB2150504
17	SCREW	W10709801
18	SCREW-SM. (2)	M0220621
19	TUBE- DRAI	12580401
20	BLOCK- FIL	WP12777701
21	CLAMP-TUBE	12831101
22	TRACK- WAT	67004102



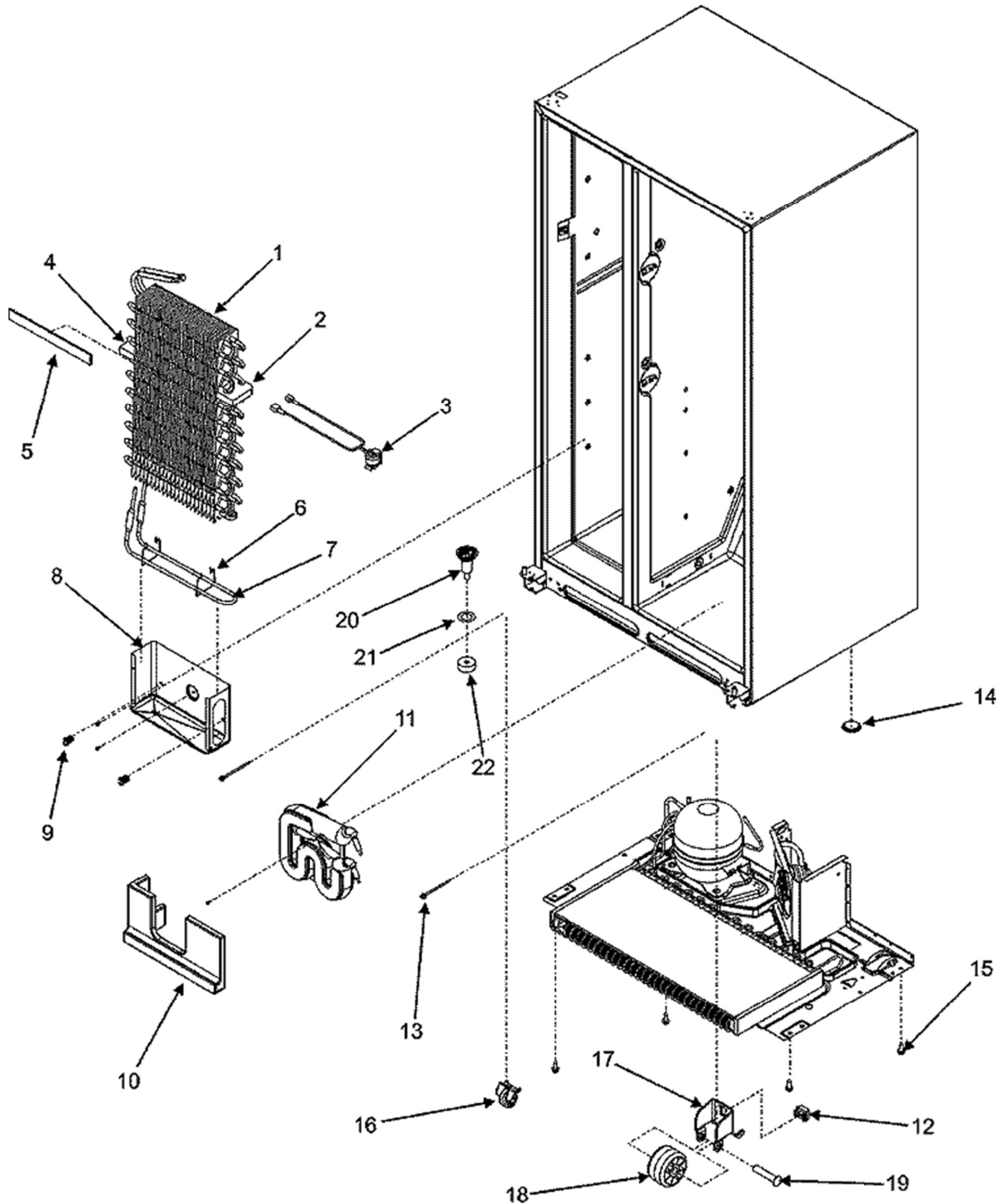
Guía	Descripción	# de parte
1	GASKET- DA	67004031
2	GROMMET- S	M0580205
3	BRACKET, Electric CONTROL	67004447
4	Screw	WP98165
5	SCREW	M0216539
6	GASKET	12582801
7	Electric Damper Control	WP67006249
8	INSUL- DAM	67006522
9	GASKET- CO	WP67006495
10	USE WPL W10207714	67004400
11	HOUSING	67004751
12	OVERLAY	67004575
13	Electronic Control Board	WPW10503278
14	COVER- CON	67004574
15	SOCKET	W11447232
16	Light Bulb - 40W	8009
17	REFLECTOR-	67005038
18	Thermistor	12002355
19	PLUG-HOLE	67002417
20	HARNS-WIRE	67006523



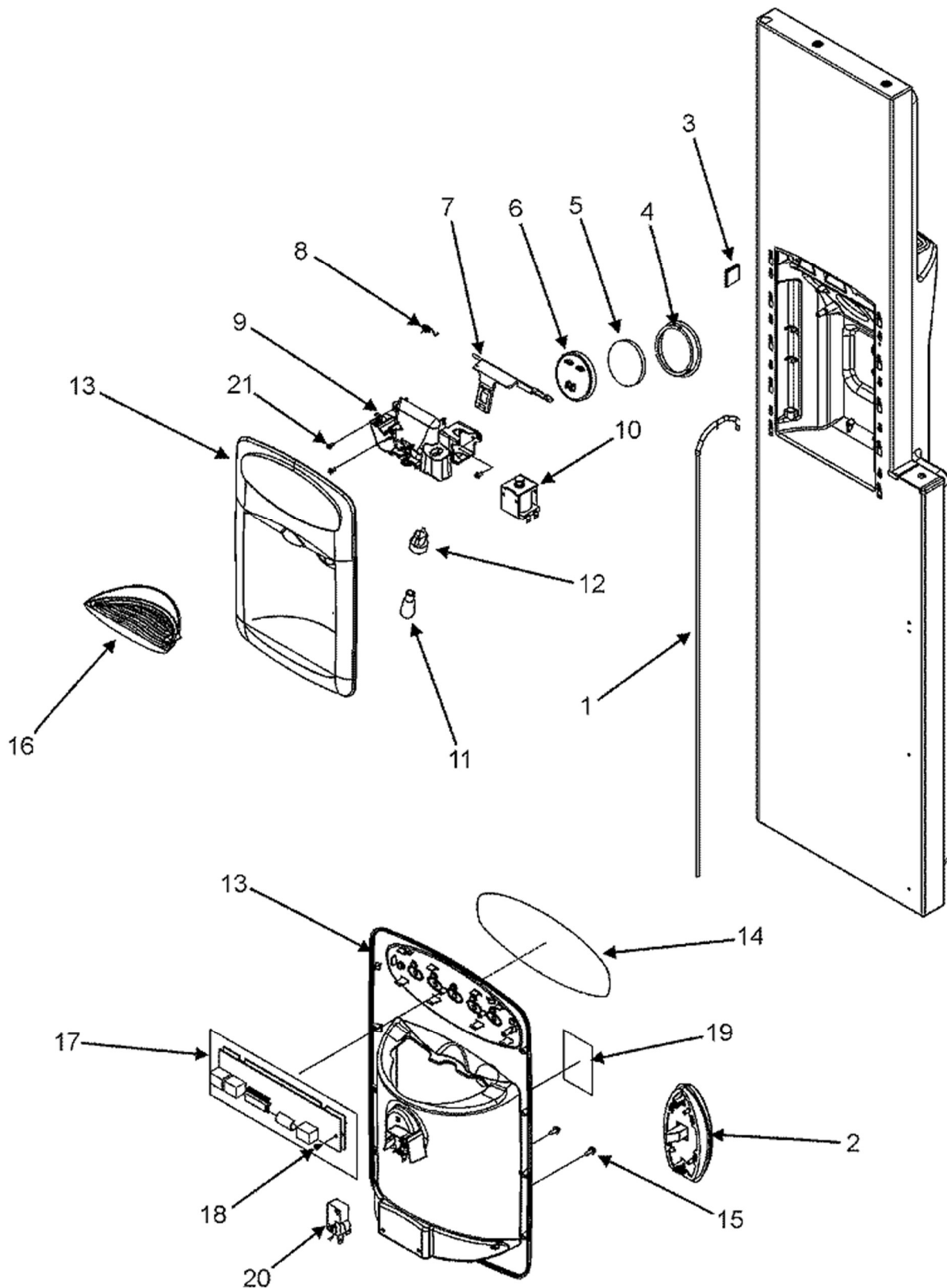
Guía	Descripción	# de parte
1	SHELF- CRI	67006879
2	USE WPL W10206621	67004077
3	DISCONTINUED	67004076
4	FRAME- MEA	67004163
5	GLASS- MEA	67004164
6	PAN-CRISPR	67004997
7	Crisper Pan	67004998
8	PAN-MEAT	67007036
9	SLIDE- CON	67004885
10	Crisper Frame Support	WP12603701
11	FRAME, CRISPER SHELF	67004576
12	TRIM-COVER	67004173
13	ROLLER	67004169
14	Screw	67006692
15	ROLLER- PA	67004133
16	PIN- ROLLE	67004174
17	HOUSING- T	67004175
18	SLIDE	67004176
19	GASKET	67004177



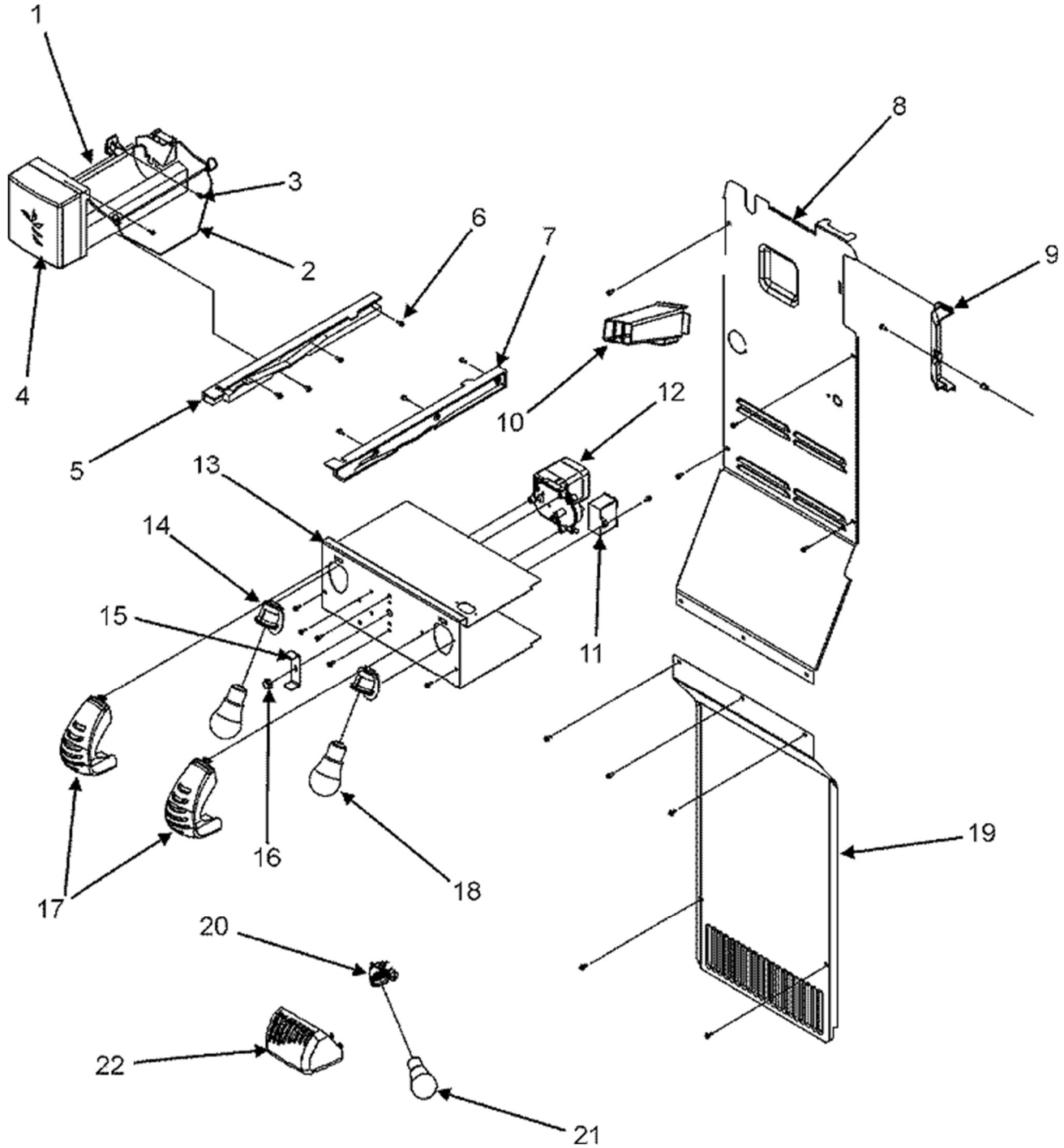
Guía	Descripción	# de parte
1	GRILLE	12634802
2	Water Filter Backing Plate - White	12688503
3	SWITCH	W11291138
4	Door Switch	W11396033
5	SOCKET	W11447232
6	Evaporator Fan Blade	WP2169142
7	SHROUD- EV	67004187
8	GASKET	W11244117
9	Fan Grommet	WP67002780
10	Freezer Evaporator Fan Motor - 115V	WPW10128551
11	Bracket	WP67005633
12	SHIELD- CR	67001507
13	Light Bulb - 40W	8009
14	Refrigerator Water Filter Bypass	W11395888
15	Water Filter	EDR4RXD1
16	Water Filter Cover	WP12568001
17	Water Filter Head with Tubing	WP67006524
18	PLUG- AIR	67005934



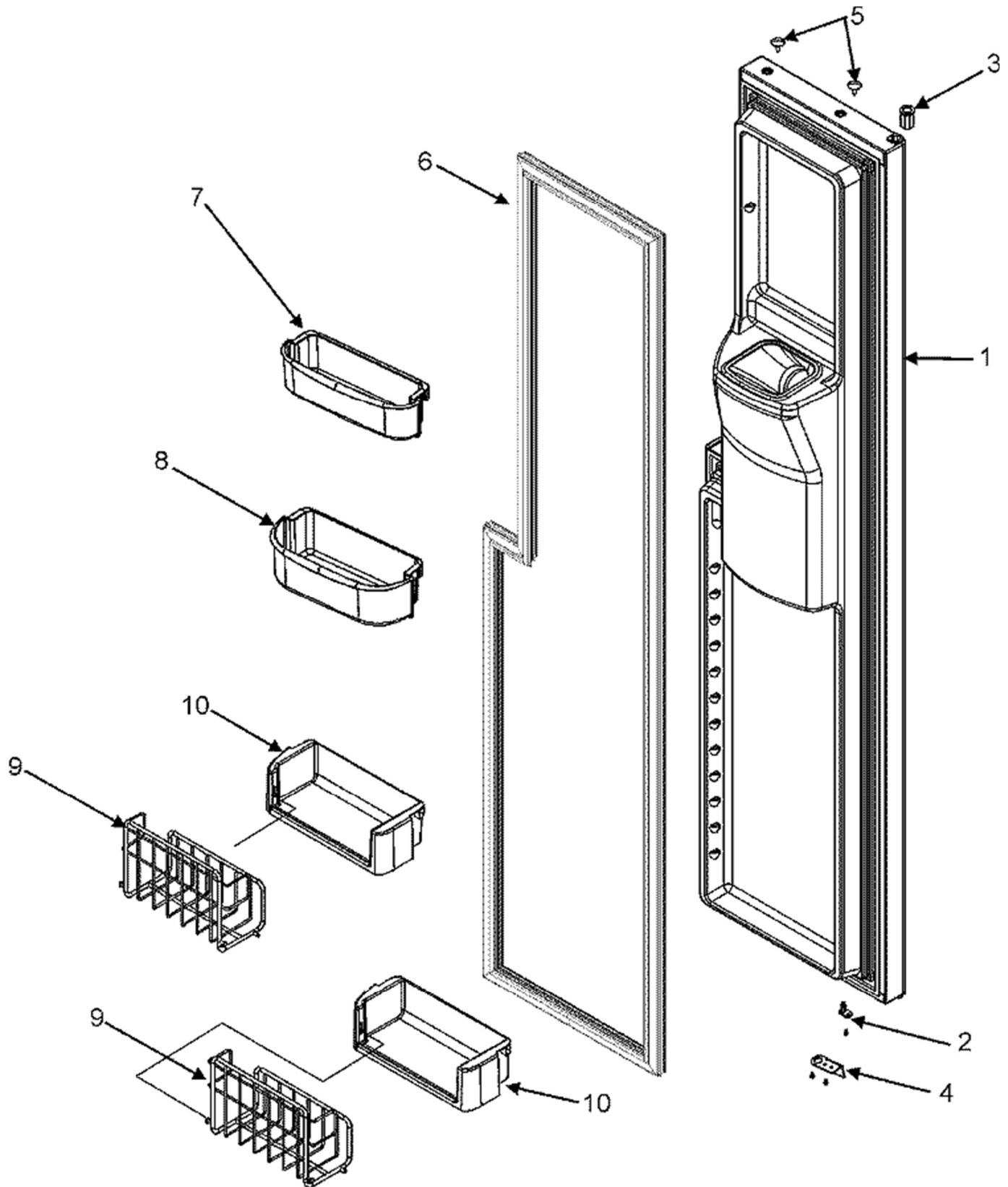
Guía	Descripción	# de parte
1	EVAPORATOR	12001940
2	BLOCK- AIR	12590102
3	Defrost Thermostat	WP67004757
4	BLOCK- AIR	12590101
5	GASKET- FO	67002226
6	CLIP	W11673433
7	Defrost Heater	WP67004188
8	Screw, 8/18 x 3/8	WP90767
9	CLIP- EVAP	10623003
10	USE WPL 12252102	67004309
11	USE WPL 12252102	67004309
11	Water Tank Reservoir Kit	R0131625
12	Speed Nut	M0286708
13	Adjustment Screw	71003131
14	PLUG	A3076901
15	SCREW	W10709798
16	Single Wheel Assembly	12580304
17	BRACKET- R	12456801V
18	Single Roller	WP10450603
19	Roller Pin	M1205302
20	FUNNEL- Door	12456901
21	SEAL- O RI	WPM0500703
22	Drain Tube Gasket	WPB8381501
23	HARNS-WIRE	67006622



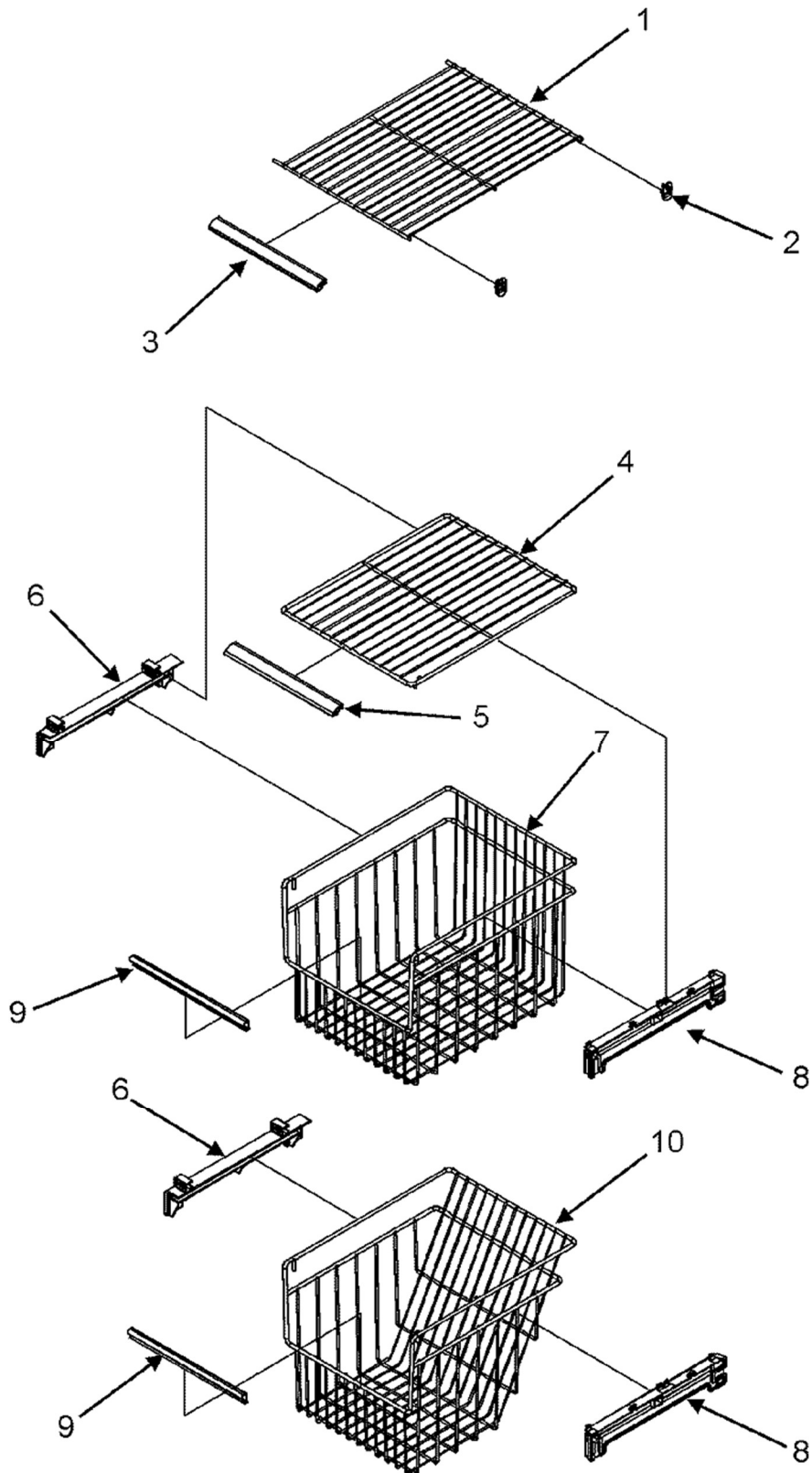
Guía	Descripción	# de parte
1	Water Line Assembly	67004938
2	Actuator Pad Frame - Black	12598902B
3	Cord Clip	M0104102
4	Ice Chute Seal	WP12665101
5	Ice Chute Door Insulation	WP67007098
6	Ice Chute Door	WP12562701
7	Door Hinge	WP67004119
8	SPRING- CH	WP12565502
9	Chute	WP67006534
10	Ice Door Solenoid	67006000
11	Light Bulb - 7W	W10857122
12	SOCKET- LI	12617501
13	Dispenser Front Housing - Black	12703809BB
14	Facade Insert - Black	WP67004151
15	PLUG-HNDLE	W10709784
16	Dispenser Sump Tray	WPY67003722
17	Control, Electric	WP12945106
18	SCREW	2006254
19	LABEL	67006684
20	Limit Switch	WP12575501
21	Screw	67006425



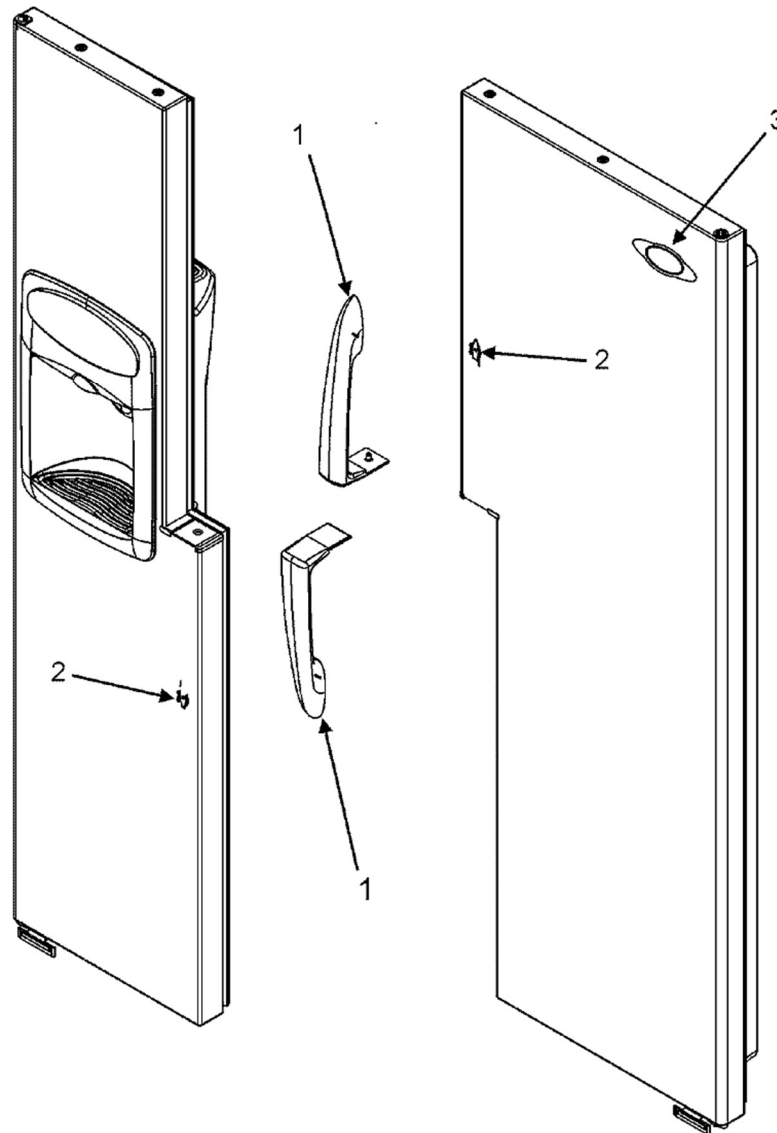
Guía	Descripción	# de parte
1	Replacement Ice Maker	D7824706Q
2	Bracket	WP2256087
3	Shut Off Arm	WPW10152975
4	Ice Maker Front Cover	WPW10289690
5	GLIDE- FRZ	67005375
6	SCREW	67006529
7	GLIDE- FRZ	67004323
8	BACK- INNE	12756201
9	Screw	67006425
10	DUCT- QUIC	67003578
11	Run Capacitor	WP65889-4
12	SCREW	W10709797
13	USE WPL 12786502	67004191
14	SOCKET	W11447232
15	MOTOR-AUGER	10114901
16	Locking Nut	WPM0223101
17	SHIELD- FZ	67004433
18	Light Bulb - 40W	8009
19	Screw	67006425
20	SOCKET	W11447232
21	Light Bulb - 40W	8009
22	SHIELD- FZ	67004135



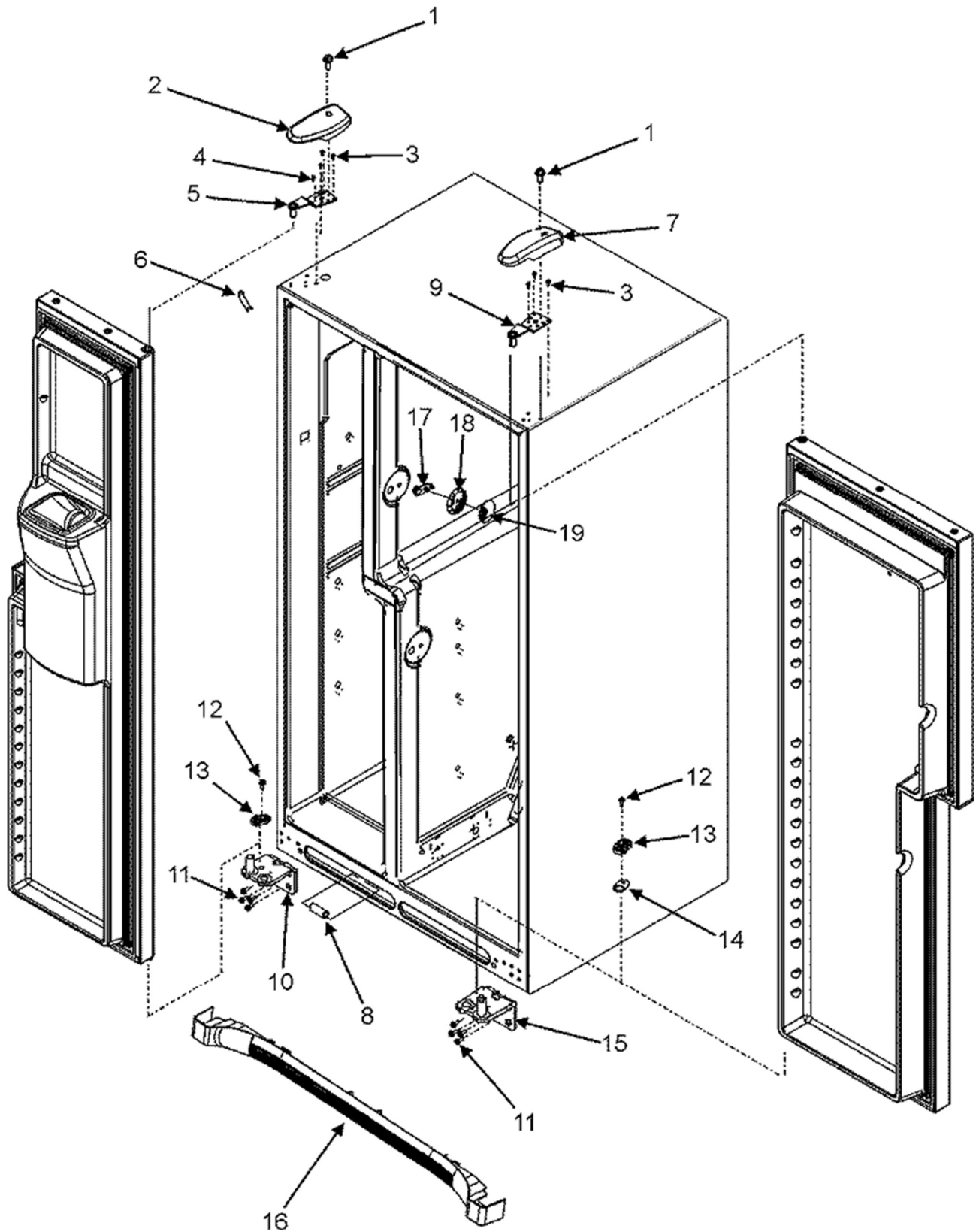
Guía	Descripción	# de parte
1	DOR-FIP Stainless Steel	67006941
2	CLOSURE- D	67006677
3	BUSHING- D	12395501B
4	STOP-DOOR	67006518
5	PLUG-HOLE	M0311607
6	GASKET- FR	67003971
7	BUCKET- UP	67004773
8	BUCKET- LW	67004114
9	BASKET, TILT OUT WXS	67005629
10	FRAME- TIL	67004566



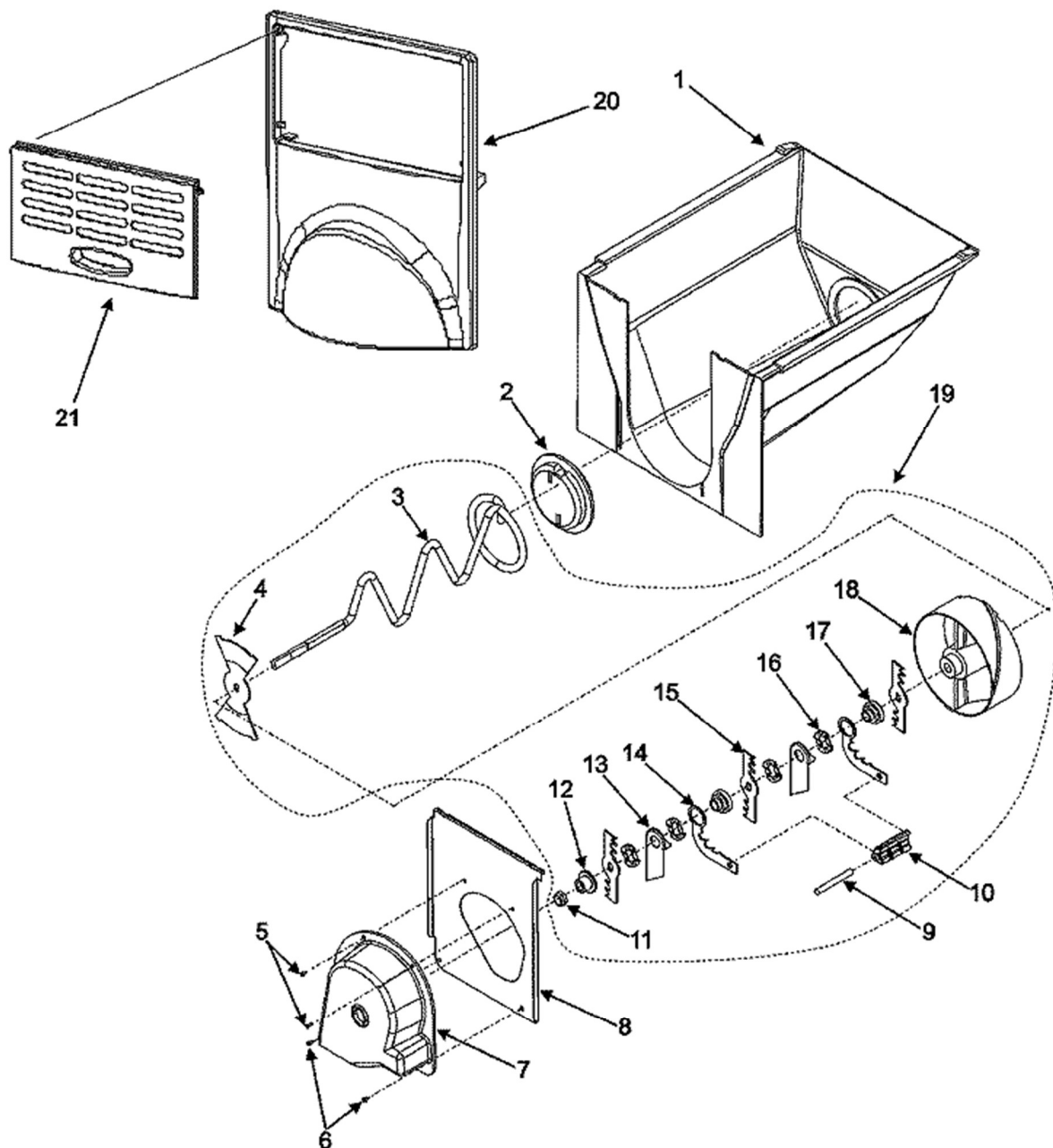
Guía	Descripción	# de parte
1	SHELF- UPR	67004178
2	Freezer Shelf Support	WPC8973801
3	TRIM- UPR	67004184
4	SHELF- Lower	67004688
5	TRIM- FRZ	67004181
6	RAIL- BASK	67004182
7	BASKET- UP	67005624
8	USE WPL 12790104	67004179
9	TRIM- FZ B	67003874
10	USE WPL 67006236	67006232



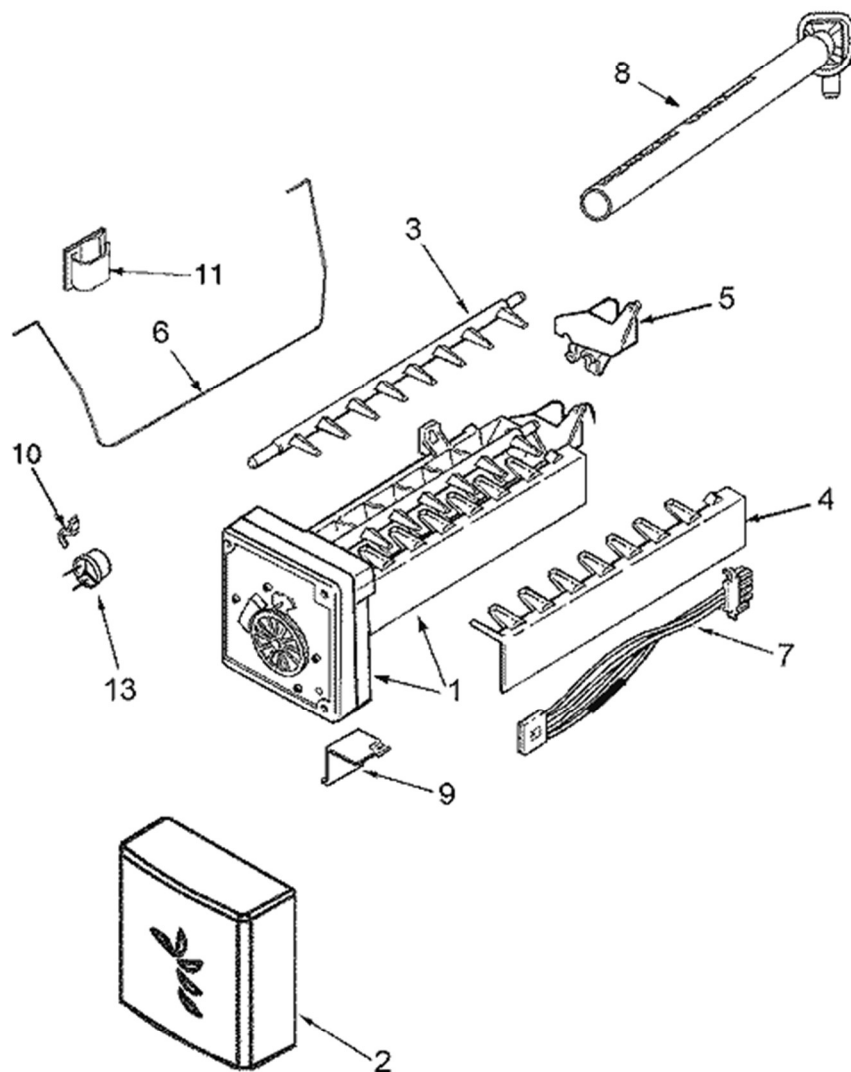
Guía	Descripción	# de parte
1	HANDLE	67003929
1	CARD- HAND	67007028
2	Butterfly Handle Mount	WP67006852
2	Frame Screw	WP7101P126-60
3	NAMEPLATE	2324038



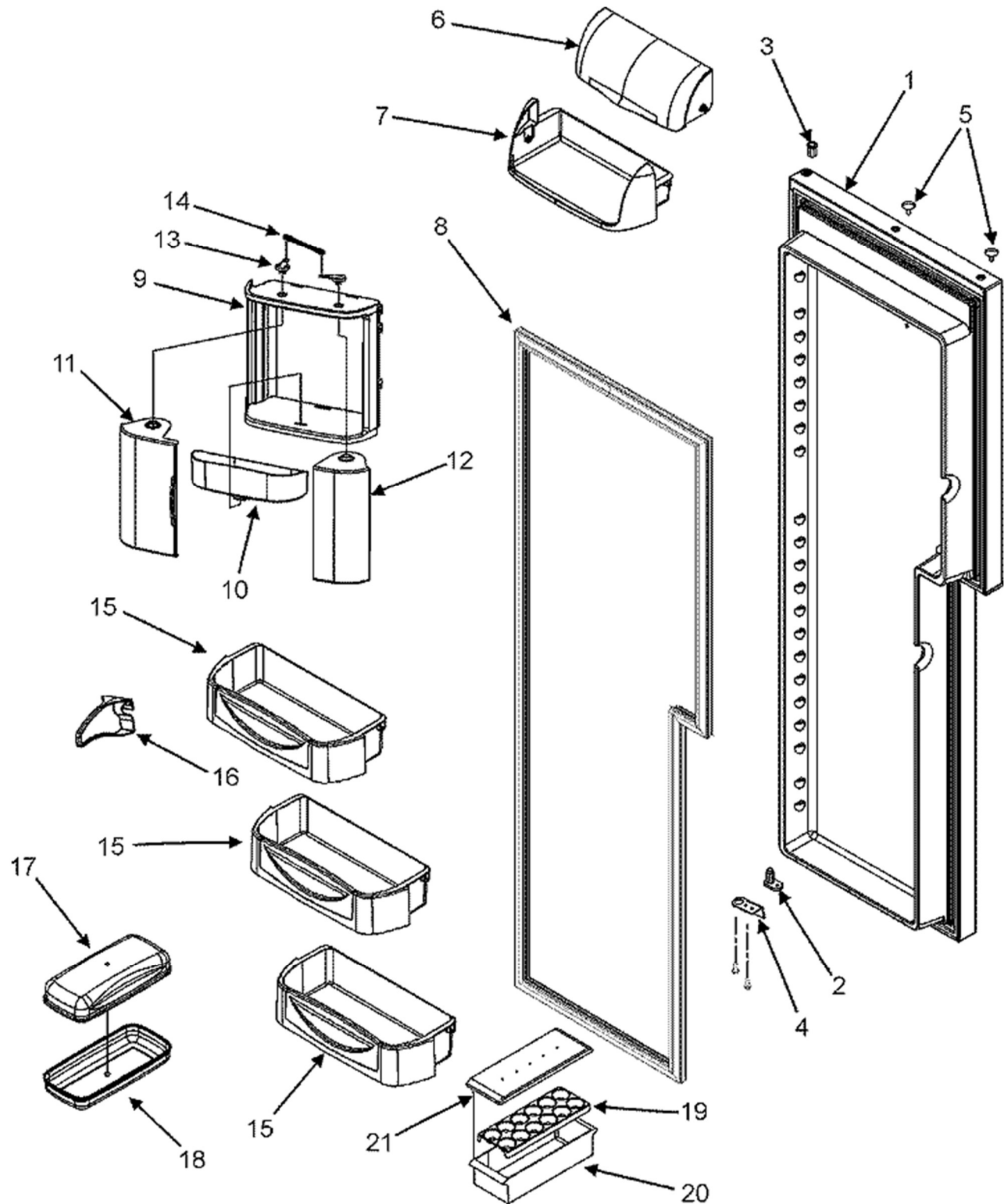
Guía	Descripción	# de parte
1	Screw	WP8281196
2	COVER- TOP	67003912
3	Screw	WP489349
4	SCREW	W11214483
5	HINGE-DOOR	67006489
6	Corner Cover - Black	67003485
7	COVER- TOP	67003913
8	Water Tube Connector/Union - 5/16	WP2300868
9	HINGE-DOOR	W10850512
10	USE WPL 12983803EDR	67006685
11	Screw	67006491
12	Screw	WP489483
13	CLOSURE- D	67006493
14	Closure Shim	WP67005716
15	HINGE-DOOR	12983804EDR
16	Kickplate Grille - Black	WP67006687
17	CLIP- CHIL	67002827
18	CONTROL- C	67002225
19	GRILLE- CH	67006837



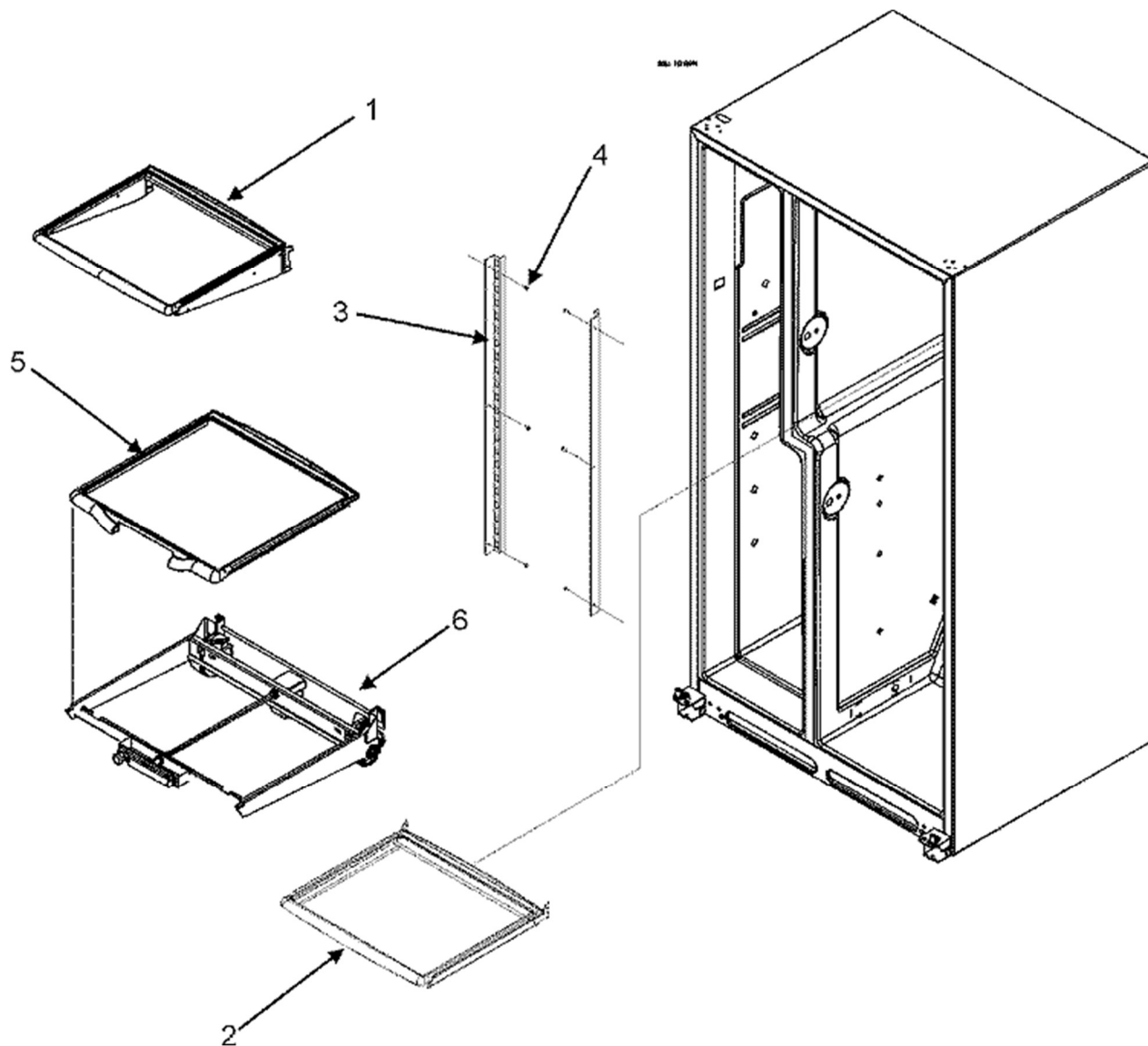
Guía	Descripción	# de parte
1	Ice Dispenser Bucket	WP67006006
2	Ice Maker Helix End Cap - white	WPD7749401
3	Ice Auger	10114401
4	Crushed Ice Bar	10113801
5	Screw	67006508
6	Screw	67006425
7	Blade Cover	WP67002271
8	Ice Crusher Front	10115001
9	PIN- ROLL	M1200108
10	Blade Anchor	10114101
11	Locking Nut	WPM0223101
12	SPACER- CO	10113901
13	Ice Damper	10275201
14	Static Blade	10114601
15	Rotating Blade	10114501
16	Waved Washer	10275101
17	Stepped Washer	10114301
18	Crushed Ice Wheel	WP67002052
19	Ice Maker Auger and Crusher Blade Assemb	WP12740302
20	COVER- ICE	67004194
21	DOOR- ICE	67004195



Guía	Descripción	# de parte
1	Replacement Ice Maker	D7824706Q
1	Bracket	WP2256087
2	Ice Maker Front Cover	WPW10289690
3	Ejector Arm	WP627843
4	Ice Stripper	WP2182124
5	Water Fill Cup and Bearing	WP628356
6	Shut Off Arm	WPW10152975
7	Wiring Harness	WPW10146386
8	ELBOW- FIL	WP67003576
9	Bracket	WP2256087
10	Retainer, Thermostat	WP2315522
11	Clip	WPM0104106
12	Cycling thermostat	WP627985
13	COUPLING	W11033771
14	Water Line Installation Kit	8003RP



Guía	Descripción	# de parte
1	DOR-FIP Stainless Steel	12818223SQ
2	CLOSURE- D	67006134
3	Door Bushing	10961005B
4	USE WPL 67007017	67006516
5	PLUG-HOLE	M0311607
6	DISCONTINUED	67005580
7	TRAY, DAIRY	67005581
8	GASKET-FIP	12763203B
9	FRAME CHIL	67005582
10	TRAY, CHILLER	67005584
11	DOOR- CHIL	67006893
12	DOOR- CHIL	67005586
13	LINKAGE- C	67002293
14	LINKAGE- C	67005583
15	Door Bucket/Bin with Clear Front Cove	67003923
16	SNUGGER- D	67004564
17	BUTTERTRAY	67006229A
18	BUTTERTRAY	67006229A
19	TRAY- EGG	10436506
20	Utility Bin	10423131
21	COVER-EGG	10436404



Guía	Descripción	# de parte
1	SHELF- GLI	67005599
2	SHELF- LED	67005617
3	LADDER- SI	67004198
4	Screw	67006425
5	SHELF, ELEVATOR	67004159
6	FRAME-SHLF	12753914

