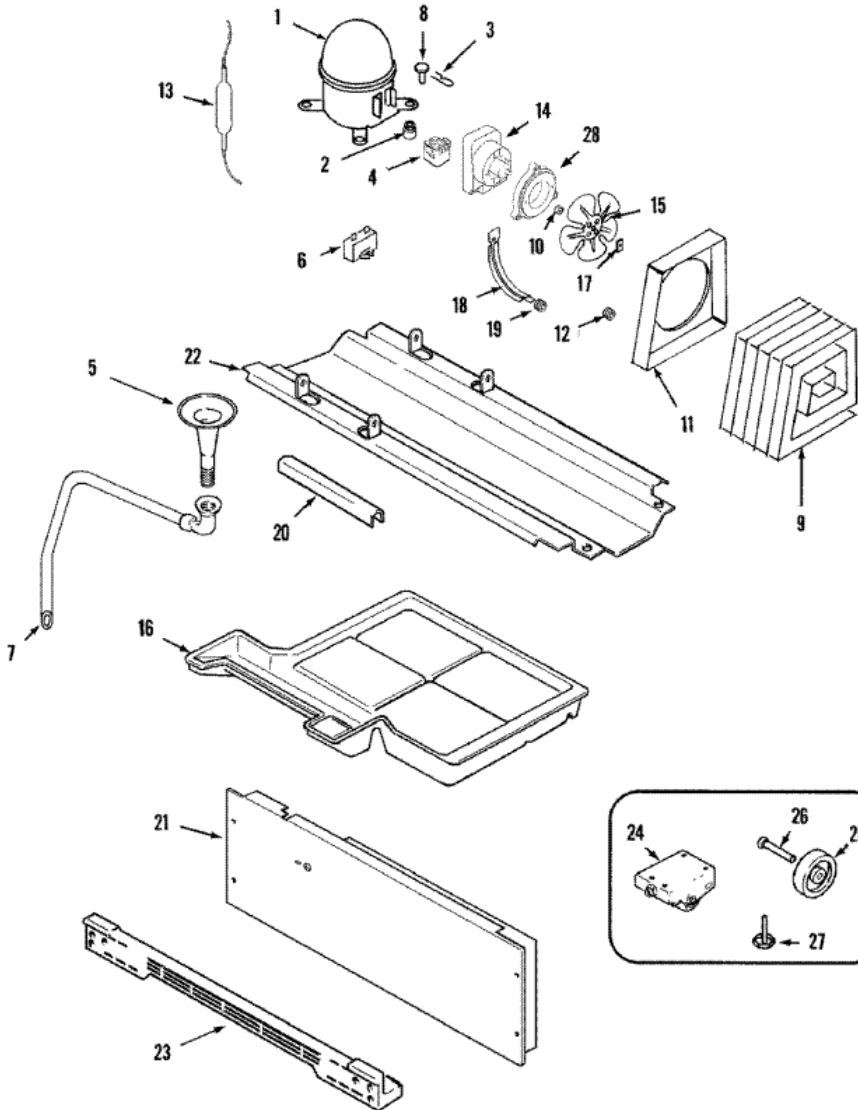


Distribuidor Autorizado

SurteRápido.com

Venta de Refacciones
Electrodomesticas

MZD2766GES COMPRESSOR





MZD2766GES COMPRESSOR

1	8201558	KIT, COMPRESSOR (R134A) (S/P)
1	4387779	KIT, COMPRESSOR (R134A) (S/P)
1	61005322	WIRE HARNESS, COMPRESSOR (S/P)
2	61005241	GROMMET, COMPRESSOR (S/P)
2	67003493	GROMMET, COMPRESSOR (S/P)
3	61005561	CLIP, COMPRESSOR (S/P)
4	12002794	RELAY/OVERLOAD ASSY. (S/P)
4	61005620	CLIP, RELAY/OVERLOAD ASSY. DESCONTINUADO
4	12002784	RELAY/OVERLOAD ASSY. (S/P)
4	61006187	CLIP, RELAY/OVERLOAD ASSY. (S/P)
5	61004751	TUBE, DRAIN (S/P)
6	400017-1	SCREW (S/P)
6	65889-4	CAPACITOR, RUN (S/P)
7	61003133	HOSE, DRAIN (S/P)
7	53516-5	CLAMP (S/P)
8	61006030	PLUG, COMPRESSOR (S/P)
9	61005452	CONDENSER (S/P)
9	61004378	SCREW (S/P)
10	61001686	WASHER, FAN BLADE (S/P)
11	61001941	SHROUD, CONDENSER (S/P)
12	61002033	GROMMET, CONDENSER TUBING (S/P)
13	13900-1	DRIER (S/P)
14	61005323	MOTOR, CONDENSER FAN (S/P)
14	61005324	SCREW (S/P)
15	12587601	BLADE, CONDENSER FAN (S/P)
16	400017-1	SCREW (S/P)
16	61004095	PAN, DRAIN (S/P)
17	486692	CLIP, FAN BLADE (S/P)
18	69181-1	BRACKET, FAN MOTOR (S/P)
19	61004743	GROMMET, BRACKET (S/P)
20	61004584	ISOLATOR, CONDENSER (S/P)
21	61004674	COVER, COMPRESSOR COMPARTMENT (S/P)
21	65275-50	SCREW (S/P)
22	61005269	PAN, COMPRESSOR MTG. (S/P)
22	61002407	SCREW (S/P)

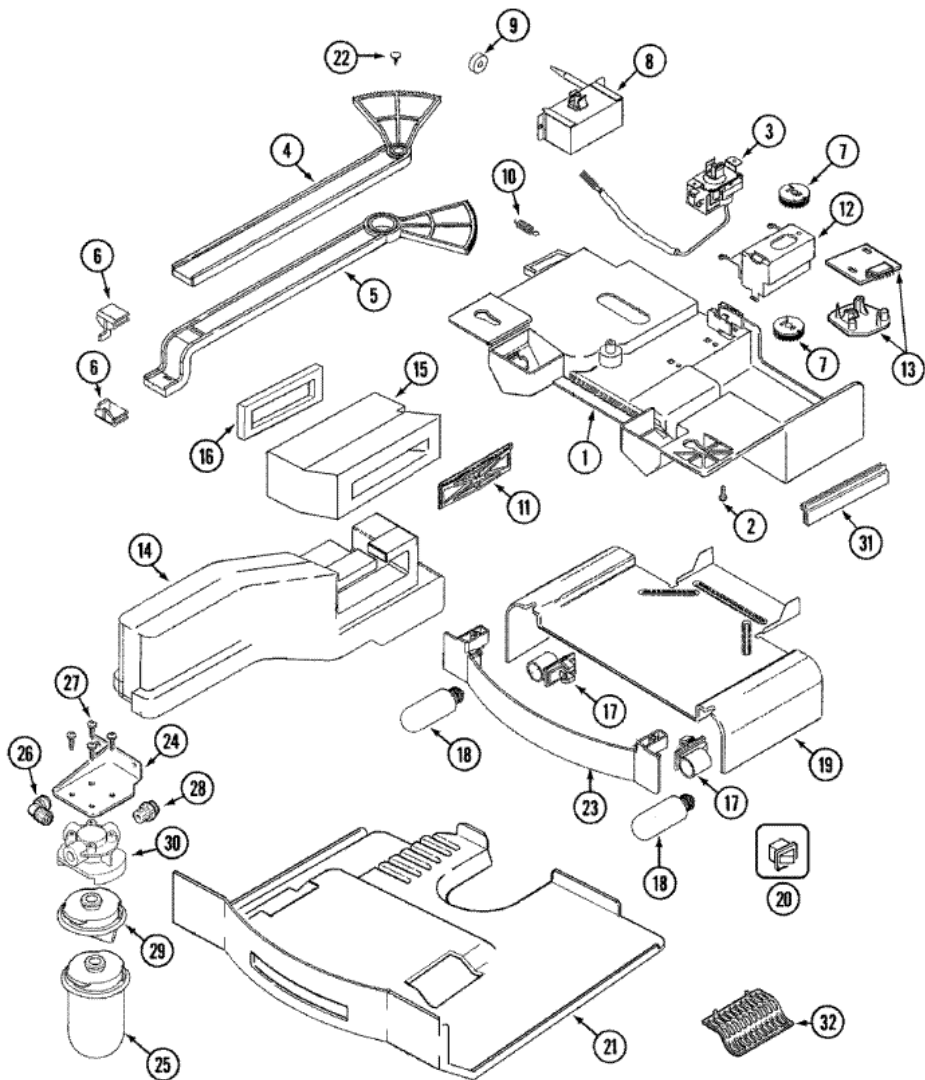
23	400016-1	SCREW (S/P)
23	61004055	KICKPLATE (BLK) (S/P)
24	400017-1	SCREW (S/P)
24	61005232	WHEEL ASSY. (FRT) (S/P)
25	61003826	WHEEL (REAR) (S/P)
26	61002104	PIN, WHEEL (S/P)
27	61002014	LEG, LEVELING (S/P)
28	61005325	ADAPTER, FAN MOTOR (S/P)
28	61005326	SCREW (S/P)
29	12001548	YODER LOOP HTR(115V) DESCONTINUADO

Distribuidor Autorizado

SurteRápido.com

Venta de Refacciones
Electrodomesticas

MZD2766GES CONTROLS





MZD2766GES CONTROLS

1	61005971	HOUSING ASSY., AUTO DAMPER (S/P)
1	61004424	SCREW (S/P)
1	61003228	FOIL, HEAT SHIELD (S/P)
1	61005971	HOUSING ASSY., AUTO DAMPER (S/P)
2	61004314	SCREW (No.8 AB) (S/P)
3	400016-1	SCREW (S/P)
3	61005327	CONTROL ASSY., TEMPERATURE
4	61003287	ROD, DAMPER CONTROL DESCONTINUADO
5	61003293	ROD, TEMP. CONTROL (S/P)
6	61004591	END CAP, CONTROL ROD (S/P)
7	61003305	GEAR, CONTROL SLIDE (S/P)
8	61003359	SCREW DESCONTINUADO
8	61005971	DAMPER, AUTO (S/P)
9	61003358	WASHER, DAMPER ROD (S/P)
10	61003141	SPRING, DAMPER DOOR (S/P)
11	61003235	DOOR, DAMPER (S/P)
12	61003315	SUPPORT, TEMP. CONTROL (S/P)
13	61005988	DEFROST ASSY., ADAPTIVE
13	61005951	SCREW (S/P)
13	405007-1	SCREW (S/P)
14	61003229	INSULATION, DISCHARGE (LT) (S/P)
14	61005972	INSULATION, DISCHARGE (RT) (S/P)
14	61005972	INSULATION, DISCHARGE (RT) (S/P)
15	67002286	SEAL, TUNNEL (DOUBLE-SIDED) (S/P)
15	61005848	TUNNEL, CONTROL HOUSING (S/P)
15	61005563	TUNNEL, CONTROL HOUSING (S/P)
16	61003819	SEAL, TUNNEL (S/P)
17	61005973	RECEPTACLE, BULB (S/P)
17	61005973	RECEPTACLE, BULB (S/P)
18	61005975	BARRIER, FOIL (LT) (S/P)
18	61005974	BARRIER, FOIL (RT) (S/P)
18	61003236	BULB, LIGHT (S/P)
19	61003238	SHIELD, HEAT (S/P)
19	61005976	SHIELD, HEAT (S/P)
20	61006166	SWITCH, LIGHT (S/P)

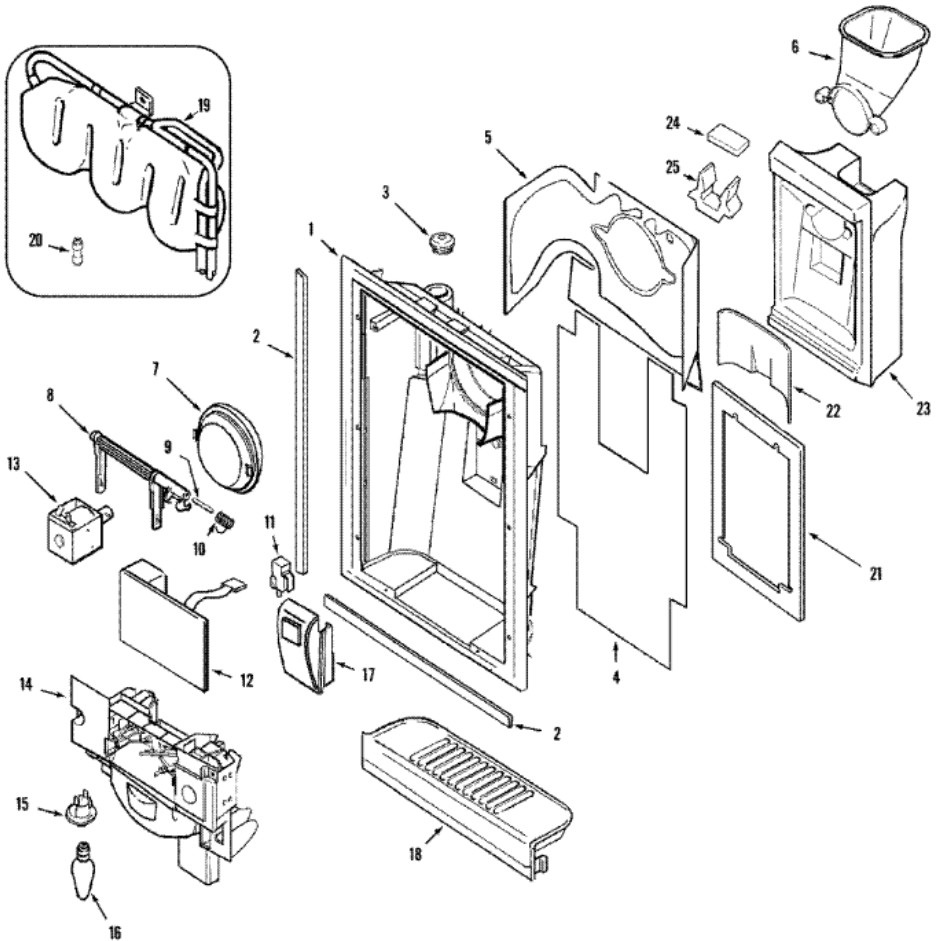
20	61003661	SWITCH, LIGHT (S/P)
21	61003924	SHIELD, LIGHT (S/P)
21	61005849	SHIELD, LIGHT (S/P)
22	61003316	RETAINER, CONTROL ROD (S/P)
23	61004380	PANEL, CONTROL (S/P)
24	61003698	BRACKET, WATER FILTER (S/P)
25	UKF7003AXX	FILTER, WATER
26	67001351	FITTING ASSY., WATER FILTER (S/P)
27	61003796	SCREW (S/P)
28	61003790	FITTING, WATER FILTER (S/P)
29	61003791	PLUG, FILTER BYPASS (S/P)
30	61003789	HEAD, WATER FILTER (S/P)
31	61003891	TRIM, CONTROL HOUSING (S/P)
32	61004590	GRILL, LIGHT (S/P)
33	61006124	WIRE HARNESS, CONTROLS (S/P)
33	61003696	WIRE HARNESS, CONTROLS (S/P)
34	61005461	WIRE HARNESS, FRZ./F.F. (S/P)

Distribuidor Autorizado

SurteRápido.com

Venta de Refacciones
Electrodomesticas

MZD2766GES FOUNTAIN





MZD2766GES FOUNTAIN

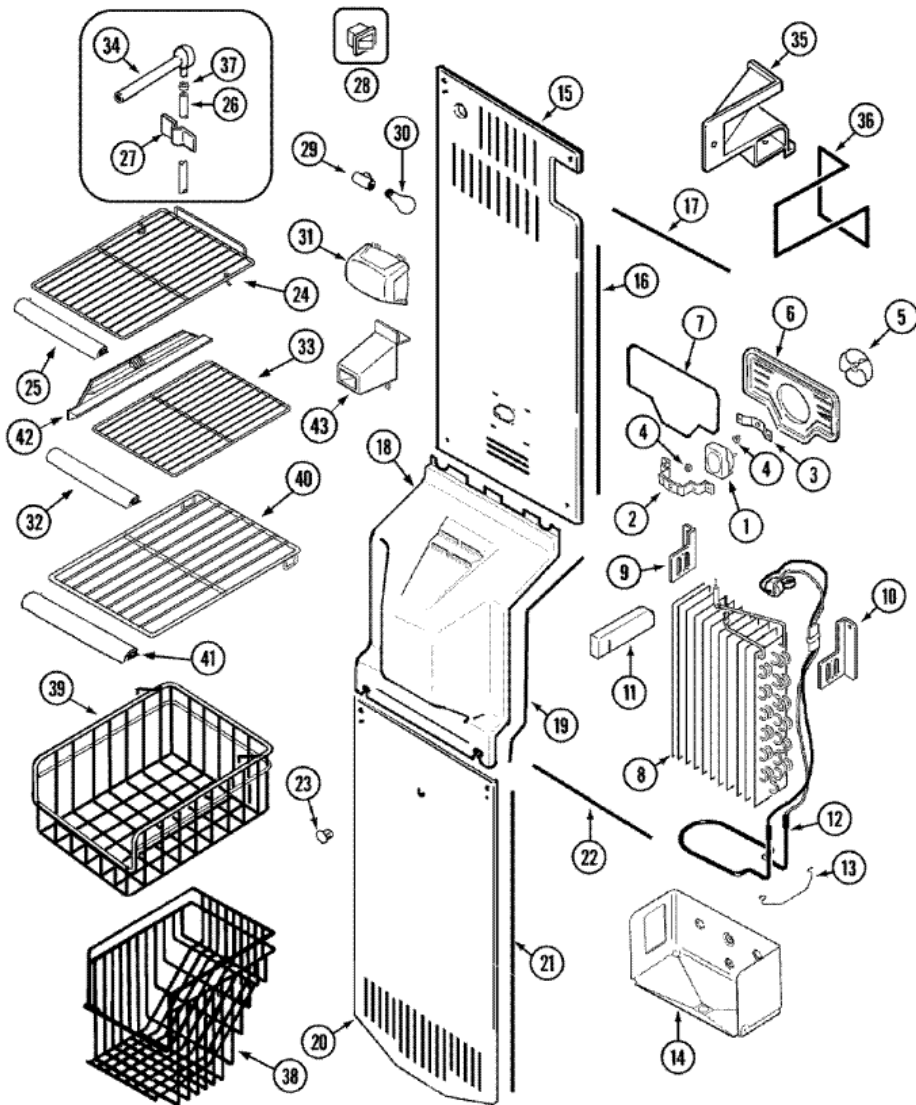
1	415013-35	SCREW (S/P)
1	61003307	SCREW (S/P)
1	61004681	HOUSING, FOUNTAIN (BLK) (S/P)
2	61003286	TAPE (1FT.) (S/P)
3	61003300	GROMMET, WATER TUBE (S/P)
4	61003304	FOIL, FTN. BACK (S/P)
5	61005001	HEATER, FOUNTAIN (S/P)
6	415013-35	SCREW (S/P)
6	61004677	CHUTE, ICE (S/P)
7	12001991	KIT, FOUNTAIN ICE DOOR (115V)
9	61003303	PIN, ROLL (S/P)
10	61004388	SPRING, FTN. RETURN
11	61005520	SWITCH, LIMIT
11	415041-35	SCREW (S/P)
12	61005372	BARRIER (S/P)
12	61005274	BOARD, CONTROL
13	61003297	SCREW (S/P)
14	61003803	BRACKET, FOUNTAIN (BLK)
14	415013-35	SCREW (S/P)
15	70119-1	RECEPTACLE, BULB (S/P)
16	67001316	BULB, LIGHT
17	61003804	PAD, ACTUATOR (BLK)
18	61003594	GRILL (BLK) (S/P)
19	400022-1	SCREW (S/P)
19	61003689	TANK ASSY., WATER (S/P)
20	61001614	UNION, REDUCING (5/16``-5/16``) (S/P)
21	61003339	INSULATION (S/P)
22	61003340	INSULATION (S/P)
23	61005373	INSULATION, FTN. (STYROFOAM) (S/P)
24	61003343	INSULATION (S/P)
25	61003308	INSULATION (S/P)
26	61005275	WIRE HARNESS, FTN. (S/P)

Distribuidor Autorizado

SurteRápido.com

Venta de Refacciones
Electrodomesticas

MZD2766GES FREEZER COMPARTMENT



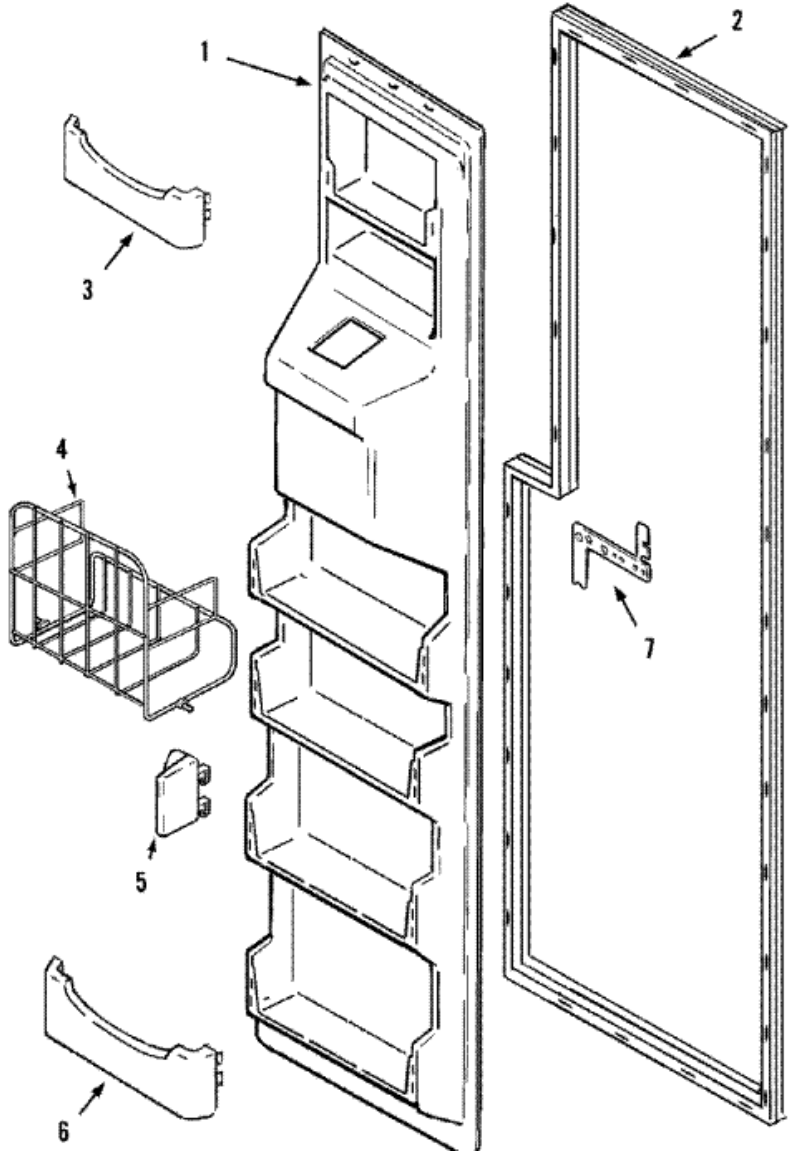


MZD2766GES FREEZER COMPARTMENT

1	61005339	MOTOR, EVAPORATOR FAN (S/P)
2	61001930	BRACKET, EVAPORATOR FAN (S/P)
2	61005240	SCREW (S/P)
3	61005240	SCREW (S/P)
3	61005340	RETAINER, EVAPORATOR FAN (S/P)
4	61005341	BUSHING, EVAPORATOR FAN (S/P)
5	61004522	BLADE, EVAPORATOR FAN (S/P)
6	61003199	SHROUD, FAN (S/P)
7	61003828	SEAL (S/P)
8	12001641	EVAP/HEAT EXCH, ASSY27, 29, CDSXS
9	61003215	BRACKET, EVAPORATOR (LT) (S/P)
10	61003216	BRACKET, EVAPORATOR (RT) (S/P)
11	61003213	BLOCK, AIR (S/P)
12	61006199	HEATER & THERM. ASSY., DEFROST
13	67005457	CLIP, DEFROST HEATER (S/P)
14	61003830	HOUSING, EVAPORATOR DESCONTINUADO
15	61004424	SCREW (S/P)
15	61005342	COVER, COIL (UPR) DESCONTINUADO
15	61005851	COVER, COIL (UPR) (S/P)
15	61005729	COVER, COIL (UPR) (S/P)
16	61003832	SEAL, UPPER COVER (RT) (S/P)
17	61003834	SEAL, UPPER COVER (TOP) (S/P)
18	61003193	COVER, EVAPORATOR FAN (S/P)
19	61003832	SEAL (S/P)
20	61003836	COVER, COIL (LWR) (S/P)
20	61004424	SCREW (S/P)
21	61003832	SEAL (S/P)
22	61003837	SEAL, LOWER COVER DESCONTINUADO
23	61001952	PLUG BUTTON, EVAP. COVER (S/P)
24	61005345	SHELF, FRZ. (S/P)
25	61005344	TRIM, SHELF (FRT.) DESCONTINUADO
26	67579-1	TUBE, VALVE (S/P)
27	61004913	CLIP, WATER LINE (ADHESIVE) (S/P)
28	12002646	SWITCH, LIGHT (S/P)
28	61006167	SWITCH, LIGHT (S/P)

29	68974-3	RECEPTACLE, BULB (S/P)
29	12679501	RECEPTACLE, BULB (S/P)
30	31956-1	BULB, LIGHT (S/P)
31	61002272	SHIELD, LIGHT (S/P)
32	61005348	TRIM, SHELF (FRT) DESCONTINUADO
32	61005350	TRIM, SHELF (FRT) (S/P)
33	61005349	SHELF, FRZ. (S/P)
33	61005343	SHELF, FRZ. (S/P)
34	61005743	GROMMET, FILL TUBE (S/P)
34	67877-1	CLIP, FILL TUBE (S/P)
35	61003205	DIVERTER, AIR (S/P)
35	400017-1	SCREW (S/P)
36	61003206	SEAL, AIR DIVERTER (S/P)
37	61001161	CLAMP, WATER LINE (S/P)
38	61006097	BASKET, FRZ. (S/P)
39	61005347	BASKET, FRZ. (HALF) DESCONTINUADO
40	61005349	SHELF, FRZ. (S/P)
41	61005350	TRIM, SHELF (FRT) (S/P)
42	400026-36	SCREW (S/P)
42	69710-2	RAIL, ICE BIN (S/P)
43	12001952	KIT, ICE MAKER AIR TUNNEL (S/P)
43	61005812	TUNNEL, AIR (S/P)
44	61003731	WIRE HARNESS, FRZ. (S/P)
44	61005351	WIRE HARNESS, FAN & HEATER (S/P)

MZD2766GES FREEZER INNER DOOR





MZD2766GES FREEZER INNER DOOR

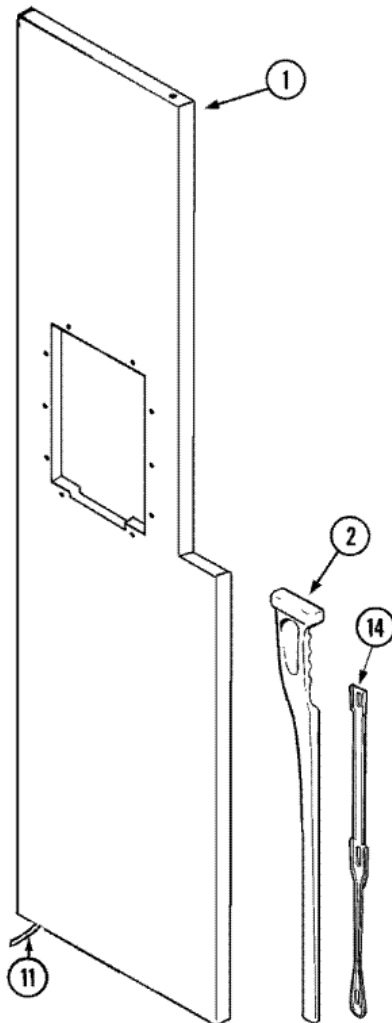
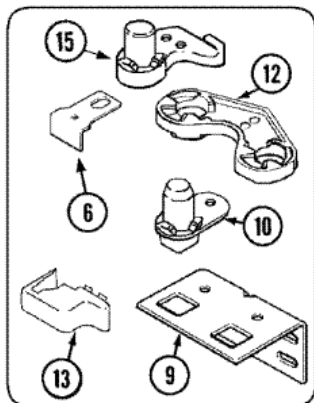
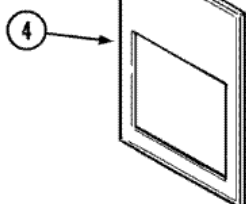
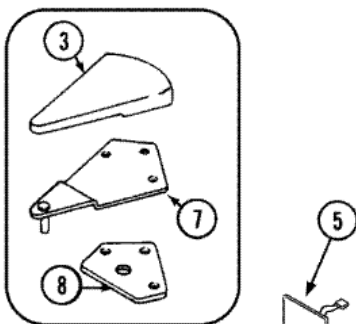
1	61005005	SCREW (S/P)
1	61005367	INSERT, LINER SUPPORT (SIDE) DESCONTINUADO
1	61005365	LINER, FRZ. DOOR (S/P)
1	61005366	INSERT, LINER SUPPORT(TOP/BTM) (S/P)
2	61005908	SEAL, FRZ. DOOR (BLK) (S/P)
3	61004504	FRONT, PICK-OFF (UPR) (S/P)
4	61005370	BASKET, TILTDOWN (S/P)
5	61003754	STOP, BASKET (RT) (S/P)
5	61003753	STOP, BASKET (LT) (S/P)
6	61005371	FRONT, PICK-OFF (LWR) (S/P)
7	61005465	SHIM, DOOR SEAL (BLK) (S/P)

Distribuidor Autorizado

SurteRápido.com

Venta de Refacciones
Electrodomesticas

MZD2766GES FREEZER OUTER DOOR





MZD2766GES FREEZER OUTER DOOR

1	61005725	PANEL, FRZ. DOOR (STNLS) DESCONTINUADO
1	61006143	PANEL, FRZ. DOOR (STNLS) (S/P)
2	61005463	SCREW (S/P)
2	61005385	HANDLE, FRZ. DOOR (BLK) (S/P)
3	61004867	COVER, UPPER HINGE (SLV) DESCONTINUADO
3	61004641	SCREW, COVER (S/P)
4	61005386	ESCUTCHEON (BLK) (S/P)
4	415013-35	SCREW (S/P)
5	61005277	BOARD, FTN. SWITCH
5	61003422	SCREW (S/P)
6	61002180	SCREW (S/P)
6	61003273	STOP, DOOR (S/P)
7	61004896	HINGE, UPPER (S/P)
7	61004763	SCREW (S/P)
8	61001922	SHIM, UPPER HINGE (S/P)
9	61003128	SCREW (S/P)
9	61002361	HINGE, LOWER (BLK) (S/P)
10	61003174	PIN, LOWER HINGE
11	61001614	UNION, REDUCING (5/16``-5/16``) (S/P)
11	61004569	TUBING, FOUNTAIN (S/P)
13	61003529	COVER, LOWER HINGE (BLK) (S/P)
14	61002912	ANCHOR, SCREW (S/P)
14	61005467	SCREW (S/P)
14	61005557	BASE, HANDLE (FRZ.) (S/P)
14	61005462	SCREW (S/P)
15	61002180	SCREW (S/P)
15	61005726	CLOSER, DOOR (W/CUP) (S/P)

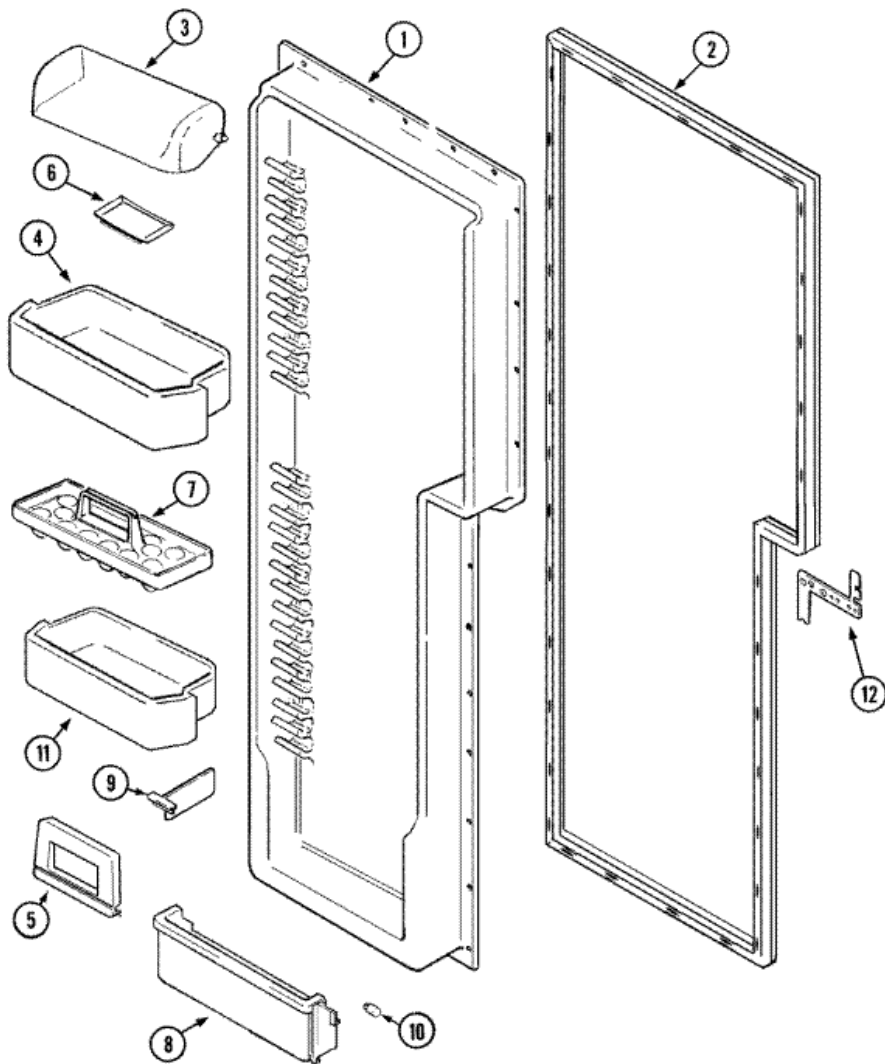
Distribuidor Autorizado

SurteRápido.com

Venta de Refacciones
Electrodomesticas



MZD2766GES FRESH FOOD INNER DOOR

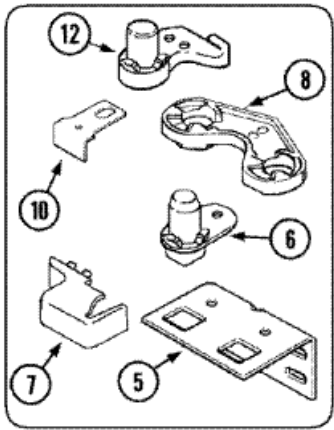
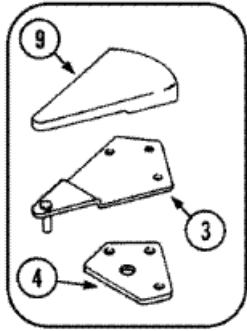
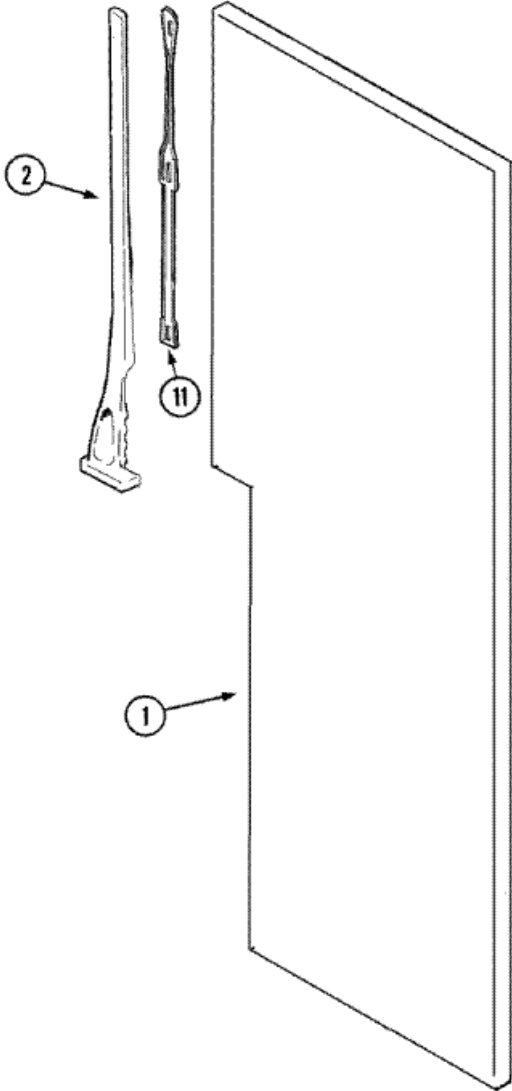




MZD2766GES FRESH FOOD INNER DOOR

1	61005356	INSERT, LINER SUPPORT(TOP/BTM) (S/P)
1	61005355	INSERT, LINER SUPPORT (SIDES) DESCONTINUADO
1	12002004	LINER, F.F. DOOR (S/P)
1	61005005	SCREW (S/P)
2	61005904	SEAL, F.F. DOOR (BLK) (S/P)
3	61005358	DOOR, DAIRY DESCONTINUADO
4	61005361	SHELF, PICK-OFF (UPR) (S/P)
5	61002273	RETAINER, BOTTLE (S/P)
6	67004412A	TRAY, BUTTER (S/P)
7	67004411	TRAY, EGG (S/P)
8	61005359	BUCKET, TIP OUT (S/P)
9	61002274	ORGANIZER, SHELF (S/P)
10	61005929	STOP, BUCKET (S/P)
10	61002719	STOP, BUCKET (S/P)
11	61005360	SHELF, PICK-OFF (S/P)
12	61005465	SHIM, DOOR SEAL (BLK) (S/P)

**MZD2766GES FRESH FOOD OUTER
DOOR**





MZD2766GES FRESH FOOD OUTER DOOR

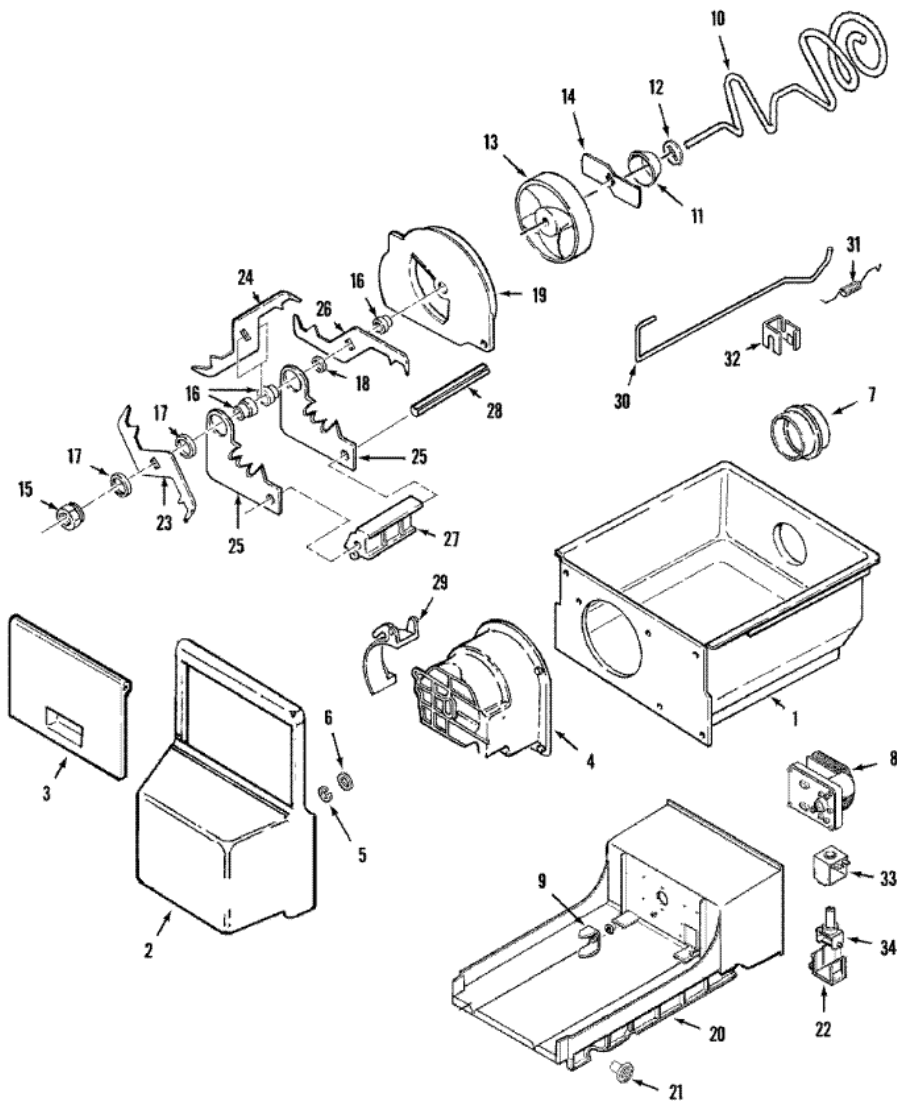
1	61005685	LABEL, DUAL ENERGY GUIDE (S/P)
1	61006144	PANEL, F.F. DOOR (STNLS) (S/P)
1	61006098	PANEL, F.F. DOOR (STNLS) DESCONTINUADO
2	61005463	SCREW (S/P)
2	61005379	HANDLE, F.F. DOOR (BLK) (S/P)
3	61004896	HINGE, UPPER (S/P)
3	61004763	SCREW (S/P)
4	61001922	SHIM, UPPER HINGE (S/P)
5	61003128	SCREW (S/P)
5	61002361	HINGE, LOWER (BLK) (S/P)
6	61003174	PIN, LOWER HINGE
7	61003537	COVER, LOWER HINGE (BLK) (S/P)
9	61004867	COVER, UPPER HINGE (SLV) DESCONTINUADO
10	61002180	SCREW (S/P)
10	61003273	STOP, DOOR (S/P)
11	61005556	BASE, HANDLE (F.F.) (S/P)
11	61002912	ANCHOR, SCREW (S/P)
11	61005467	SCREW (S/P)
11	61005462	SCREW (S/P)
12	61005724	CLOSER, DOOR (W/CUP) (S/P)
12	61002180	SCREW (S/P)

Distribuidor Autorizado

SurteRápido.com

Venta de Refacciones
Electrodomesticas

MZD2766GES ICE BIN





MZD2766GES ICE BIN

1	61004802	BIN, ICE (S/P)
2	415013-35	SCREW (S/P)
2	61004864	FRONT, ICE BIN (S/P)
3	61004327	DOOR, ICE BIN (S/P)
4	61004869	SEAL (S/P)
4	415013-35	SCREW (S/P)
4	61004804	HOUSING, CRUSHER (S/P)
5	69704-1	RING, SNAP (S/P)
6	69703-1	WASHER, RETAINER (S/P)
7	61003336	RING, DRIVE (S/P)
8	61003324	SCREW (S/P)
8	12001773	ASSY., AUGER MOTOR/YOKE (S/P)
8	61005281	WIRE HARNESS, AUGER MOTOR (S/P)
9	63052-2	YOKE, ICE DISPENSER
10	61003326	AUGER (S/P)
11	69699-1	CONE, ICE DEFLECTOR (S/P)
12	69698-1	WASHER, CONE STOP (S/P)
13	70036-1	IMPELLER (S/P)
14	69755-1	PLATE, DRIVE (S/P)
15	69709-1	NUT, AUGER (S/P)
16	69697-1	BEARING, SPACER (S/P)
17	69696-1	SPACER, CRUSHER BLADE (S/P)
18	69696-2	SPACER, BLADE (S/P)
19	69701-1	PLATE, IMPELLER (S/P)
20	400022-1	SCREW (S/P)
20	61005619	ENCLOSURE, ICE (S/P)
21	400022-1	SCREW (S/P)
21	61005080	SUPPORT, ENCLOSURE (S/P)
22	69715-1	GUIDE, YOKE (S/P)
22	400026-12	SCREW (S/P)
23	69702-3	BLADE, CRUSHER (S/P)
24	69702-2	BLADE, CRUSHER (S/P)
25	69706-1	BLADE, CRUSHER (S/P)
26	69702-1	BLADE, CRUSHER (S/P)
27	69708-1	LOCK, FIXED BLADE (S/P)

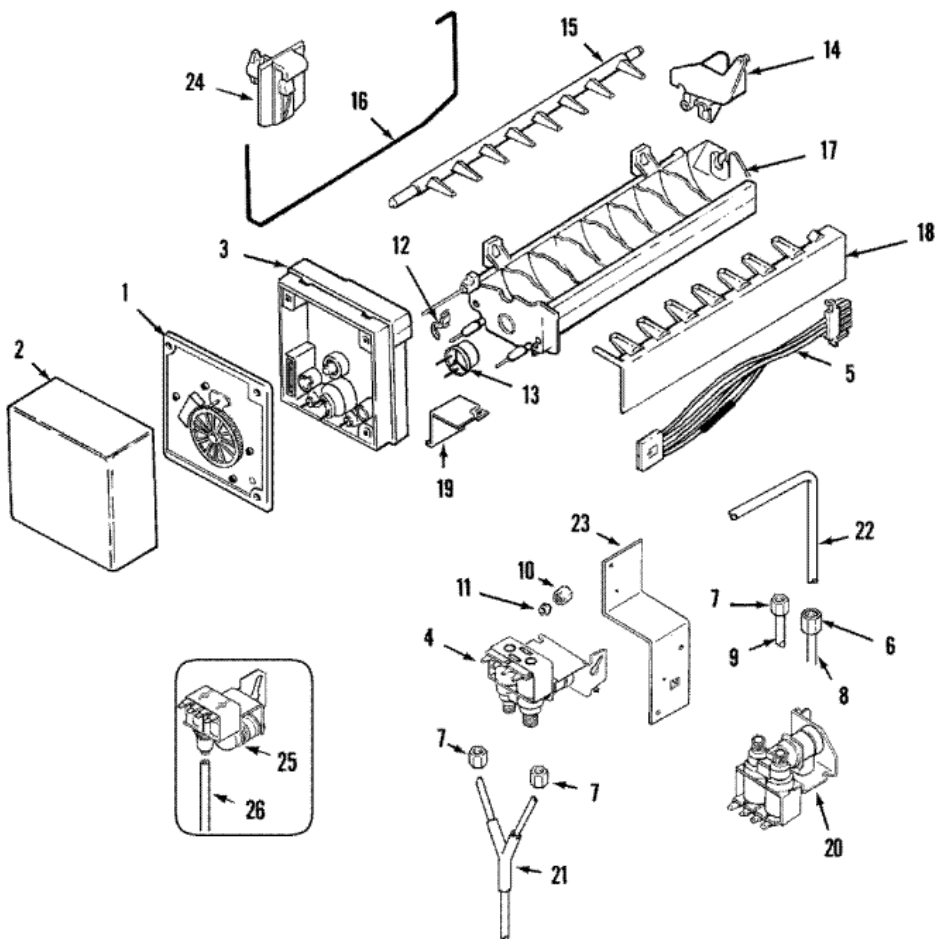
28	69705-1	PIN, BLADE LOCK (S/P)
29	69718-1	DOOR, ICE CRUSHER (S/P)
30	61004807	ROD, CRUSHER CONTROL (S/P)
31	61004808	SPRING, CONTROL ROD (S/P)
32	61004809	BRACKET, CONTROL ROD (S/P)
33	61005253	SOLENOID (S/P)
33	61003324	SCREW (S/P)
34	61005844	YOKE ASSY.

Distribuidor Autorizado

SurteRápido.com

Venta de Refacciones
Electrodomesticas

MZD2766GES ICE MAKER





MZD2766GES ICE MAKER

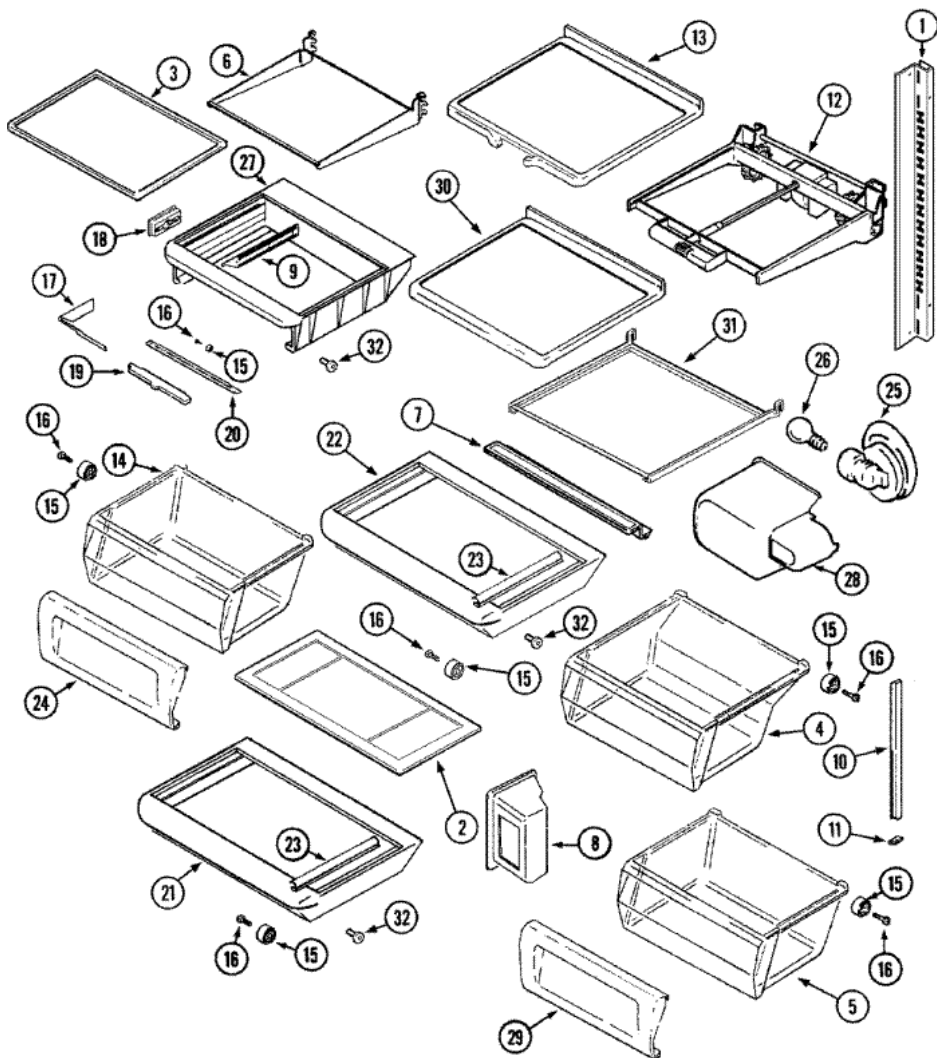
1	400017-1	SCREW (S/P)
1	D7824706Q	MODULE, ICE MAKER
2	61005374	COVER, ICE MAKER (S/P)
3	2195914	SUPPORT, MODULE HOUSING (S/P)
3	95106-1	SCREW (S/P)
4	12001892	VALVE, WATER (FILTER)
4	61001885	SCREW (S/P)
5	61005278	WIRE HARNESS, ICE MAKER (S/P)
6	8201513	NUT, COMPRESSION (5/16``) (S/P)
7	69583-1	NUT, COMPRESSION (1/4``) (S/P)
9	B5705307	TUBE, VALVE (S/P)
10	69432-1	NUT, BRASS (1/4``) (S/P)
11	69431-1	SLEEVE, BRASS (S/P)
12	2315522	RETAINER, THERMOSTAT (S/P)
13	627985	THERMOSTAT
13	95093-1	CEMENT, ALUMILASTIC (4 OZ.) (S/P)
14	628356	INLET, WATER
15	627843	EJECTOR, ICE (S/P)
16	70142-1	ARM, SENSOR (S/P)
17	D7824706Q	MOLD & HEATER ASSY.
18	2182124	STRIPPER, ICE (S/P)
19	2256087	BRACKET, MODULE & HEATER (S/P)
19	95108-1	SCREW, BRACKET (S/P)
20	61005626	VALVE, WATER (ICE MAKER)
20	61001885	SCREW (S/P)
21	61001161	CLAMP, WATER LINE (S/P)
21	61004391	GROMMET ASSY., WATER LINE (S/P)
21	61005058	CLIP, WATER LINE (ADHESIVE) (S/P)
22	61005640	GROMMET ASSY., WATER LINE (S/P)
22	61005683	GROMMET ASSY., WATER LINE (S/P)
23	61003732	BRACKET, WATER VALVE (S/P)
23	61002819	SCREW (S/P)
24	61005028	SUPPORT, ICE MAKER (S/P)
25	61005627	VALVE, WATER (FILTER) (S/P)
26	61005682	GROMMET ASSY., WATER LINE (S/P)

Distribuidor Autorizado

SurteRápido.com

Venta de Refacciones
Electrodomesticas

MZD2766GES SHELVES





MZD2766GES SHELVES

1	61005331	SCREW (S/P)
1	61005330	RAIL, SHELF SUPPORT (S/P)
1	61005467	SCREW (S/P)
2	61005083	COVER, CRISPER SHELF (LWR) (S/P)
2	61005082	COVER, CRISPER SHELF (UPR) (S/P)
3	61003709	GLASS, MEAT SHELF (SPILLPROOF) (S/P)
4	61005712	PAN, CRISPER (UPR) (S/P)
5	61005714	PAN ASSY., CRISPER (LWR) (S/P)
6	61005888	FRAME, SHELF (S/P)
7	61005045	SEAL, CRISPER SHELF (REAR) DESCONTINUADO
8	61006081	COVER ASSY., AIR RETURN
9	415013-35	SCREW (S/P)
9	61003723	COVER, MEAT CONTROL TAPE (S/P)
10	61003888	STRIP, FILLER (SIDES) (S/P)
11	400019-1	SCREW (S/P)
11	61004109	BASE, FILLER STRIP (RT) (S/P)
11	61004110	BASE, FILLER STRIP (LT) (S/P)
12	61004480	GLIDE, SHELF (S/P)
12	61005332	FRAME ASSY., ELEVATOR SHELF (S/P)
13	61005334	SHELF, ELEVATOR (S/P)
13	61005333	SHELF, SPILLPROOF (S/P)
14	61005716	PAN ASSY., MEAT (S/P)
14	61005716	PAN, MEAT (S/P)
15	67423-2	ROLLER (S/P)
15	61002307	ROLLER
16	65275-6	SCREW (S/P)
16	61004728	SCREW (S/P)
17	61003722	TAPE, MEAT CONTROL (S/P)
18	61003725	RETAINER, DUCT (S/P)
18	61003785	DUCT, AIR (MEAT) (S/P)
18	61006055	DUCT, AIR (MEAT) (S/P)
19	61003674	SLIDE, CONTROL (MEAT) (S/P)
20	415013-35	SCREW (S/P)
20	61003784	COVER, MEAT PAN SLIDE (S/P)
21	12002189	SHELF, CRISPER (LWR) (S/P)

21	61006154	FRAME, CRISPER SHELF (LWR) (S/P)
22	12002187	SHELF, CRISPER (UPR) DESCONTINUADO
22	61006153	FRAME, CRISPER SHELF (UPR) (S/P)
23	61003714	SEAL, CRISPER SIDE (UPR) DESCONTINUADO
23	61003715	SEAL, CRISPER SIDE (LWR) (S/P)
24	61004507	FRONT ASSY., MEAT PAN (S/P)
25	61003379	RECEPTACLE, BULB (S/P)
26	61001787	BULB, LIGHT (S/P)
27	61006239	FRAME, MEAT SHELF DESCONTINUADO
27	61006087	FRAME, MEAT SHELF (S/P)
28	61003439	SHIELD, LIGHT (S/P)
29	61005085	FRONT ASSY., CRISPER PAN DESCONTINUADO
30	61005335	SHELF, SPILLPROOF (LWR) (S/P)
31	61005336	FRAME, SHELF (LWR) (S/P)
32	61005338	SCREW (S/P)
32	67764-1	SUPPORT, CRISPER SHELF (S/P)
32	61005337	SUPPORT, CRISPER SHELF
32	400017-1	SCREW (S/P)