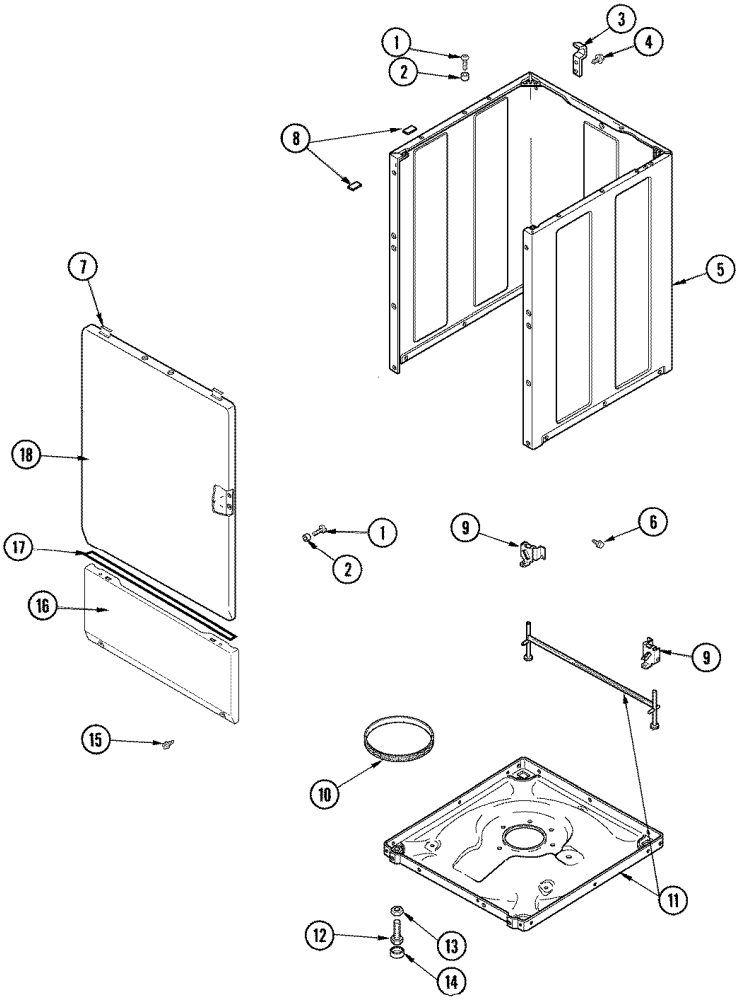


NAV580AWW GABINETE

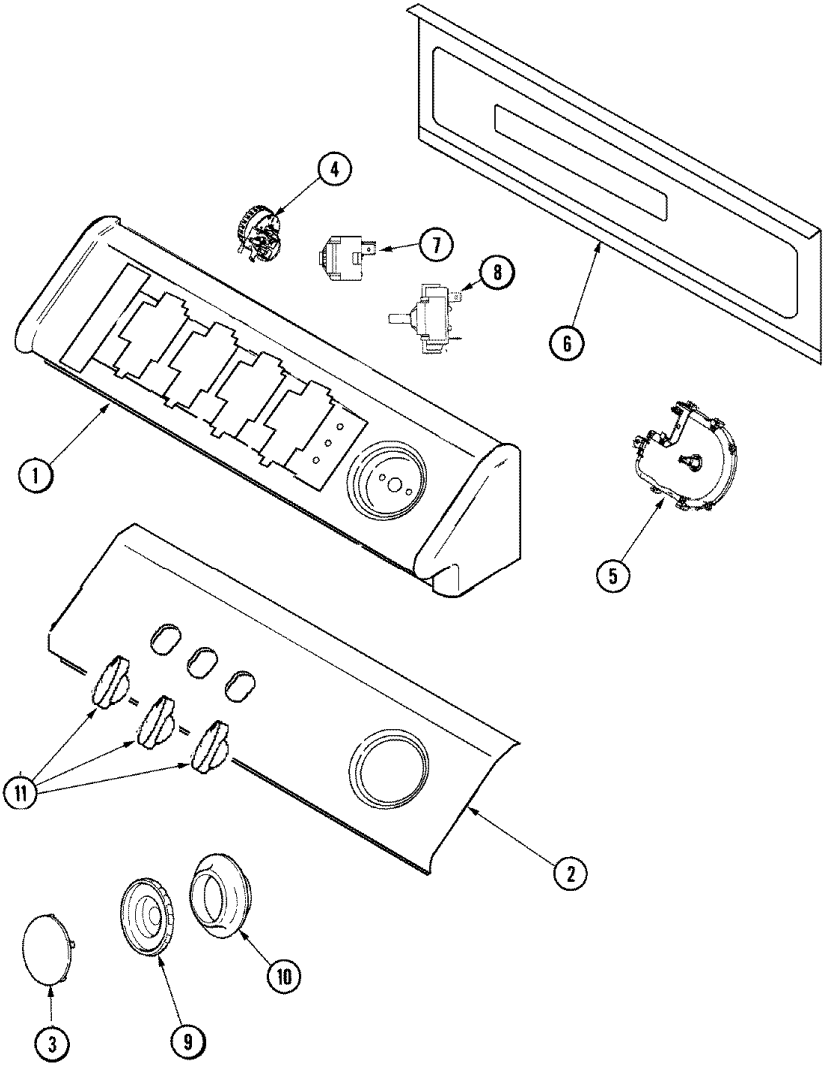




NAV5800AWW GABINETE

| | | |
|----|------------|-------------------------------------|
| 1 | 32671 | SCREW, TAPPING (S/P) |
| 2 | 505187 | LOCATOR, PANEL (S/P) |
| 3 | 500003 | HINGE, TOP (S/P) |
| 4 | 40064801 | SCREW, 10B-16X1/4 (S/P) |
| 5 | 37001284 | CABINET, DRYER & WASHER (WHT) (S/P) |
| 6 | 40038201 | SCREW, 12BX1/2No.10 HX (S/P) |
| 7 | 501086 | SCREW, 8B-18X3/8 SLT (S/P) |
| 7 | 22001650 | CLIP, SPRING (S/P) |
| 8 | Y56128 | PAD, BUMPER (S/P) |
| 9 | 40031501 | BRACKET, SELF LEVELING (S/P) |
| 10 | 40037401 | RING, FRICTION (S/P) |
| 11 | 27001226 | BASE & LEVELING ASSEMBLY (S/P) |
| 11 | 40082801 | CLIP, WIRE (S/P) |
| 12 | 22003428 | LEG, LEVELING (S/P) |
| 13 | 40038101 | NUT, LEG (S/P) |
| 14 | 40016001 | FOOT, RUBBER (S/P) |
| 15 | 40034101 | SCREW, No.12BX1/2 (S/P) |
| 16 | 37001074 | PANEL, ACCESS (GRAY) (S/P) |
| 17 | 40083101 | TAPE, FOAM (S/P) |
| 18 | 22001817 | SHEET, SOUND DAMPER (FT. PNL) (S/P) |
| 18 | 40035401WP | PANEL, FRONT (WHT) (S/P) |

NAV5800AWW TABLERO

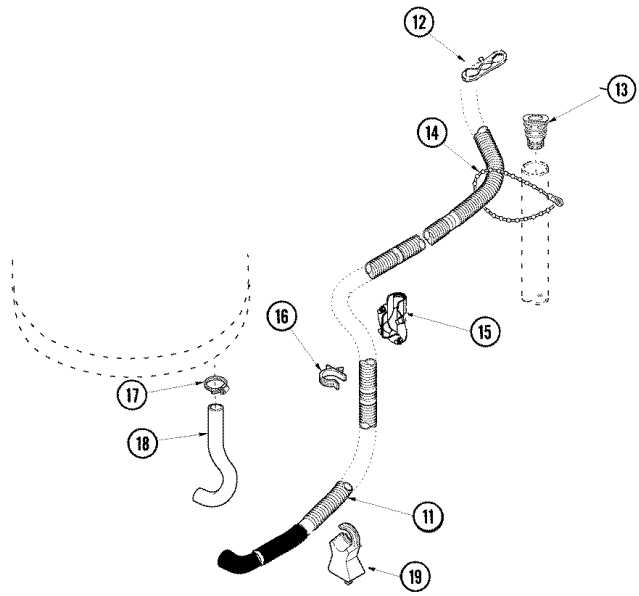
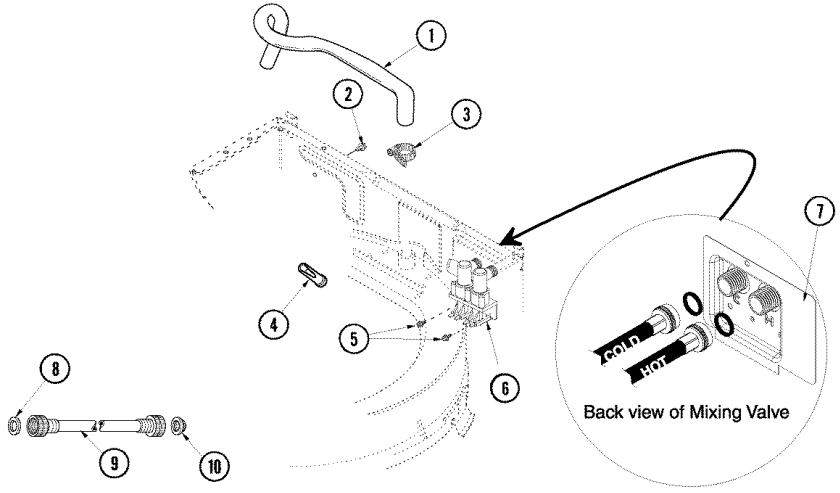




NAV5800AWW TABLERO

| | | |
|----|----------|--|
| 1 | 27001085 | CONSOLE (GRAY) (S/P) |
| 2 | 33001855 | SCREW (HEX HEAD) (S/P) |
| 2 | 27001050 | FACIA GROUND WIRE ASSEMBLY (S/P) |
| 2 | 27001086 | FACIA, GRAPHIC (S/P) |
| 3 | 27001087 | KNOB, CAP (WHT) (S/P) |
| 4 | 27001203 | SWITCH, PRESSURE |
| 5 | 27001088 | TIMER (S/P) |
| 6 | 27001051 | BACK PANEL, HOOD/CONSOLE (S/P) |
| 7 | 22001794 | SWITCH, ROTARY (2 POS) (S/P) |
| 8 | 27001089 | SWITCH, TEMPERATURE (4 POS) (S/P) |
| 9 | 27001090 | KNOB, TIMER (BLUE-GRAY) (S/P) |
| 10 | 27001092 | SKIRT, TIMER KNOB (S/P) |
| 10 | 22002997 | PIN, LOCKING (S/P) |
| 11 | 27001091 | KNOB, SELECTOR (BLUE-GRAY) (S/P) |
| 12 | 27001142 | CORD, POWER (LEAD-IN) (S/P) |

NAV5800AWW MANGUERAS

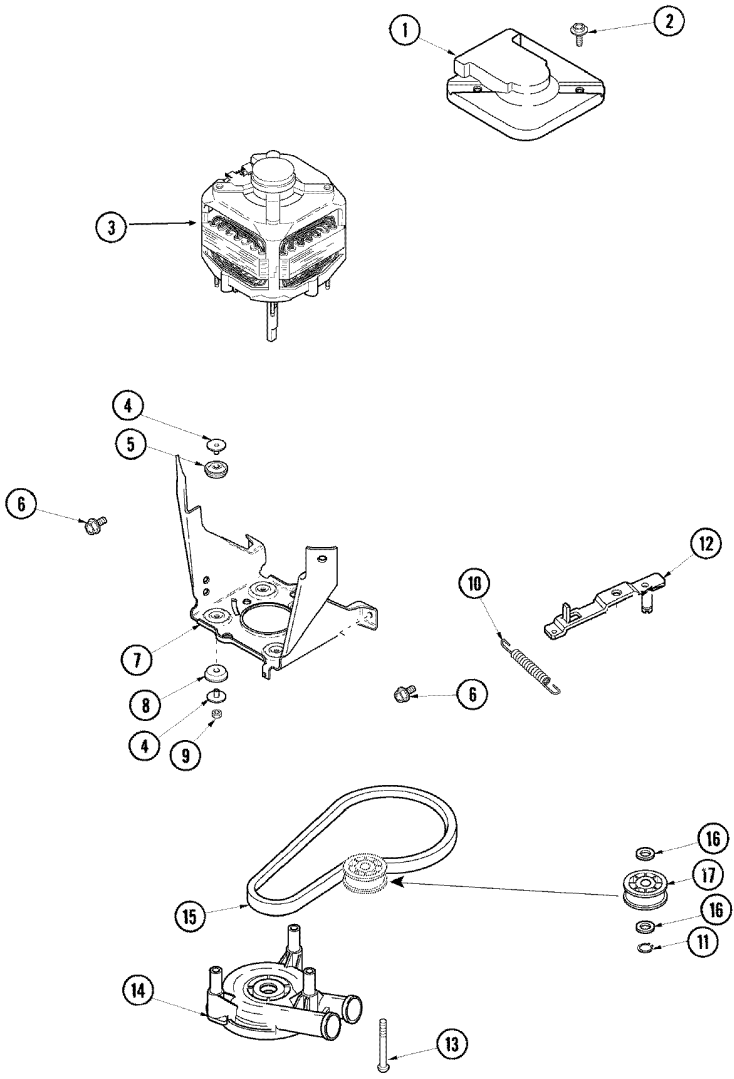




NAV5800AWW MANGUERAS

| | | |
|----|----------|---------------------------------|
| 1 | 27001184 | HOSE, MIXING VALVE TO TUB (S/P) |
| 2 | 503661 | SCREW, 10-16X.44 UNS (S/P) |
| 3 | 596669 | CLAMP, SPRING HOSE (S/P) |
| 4 | 22001900 | PREVENTOR, BACKFLOW (S/P) |
| 5 | 501086 | SCREW, 8B-18X3/8 SLT (S/P) |
| 6 | R0131578 | VALVE, MIXING E1 (S/P) |
| 7 | 40098801 | PLATE, MIXING VALUE (S/P) |
| 8 | Y013783 | WASHER, 19/32 IDX1.031 (S/P) |
| 9 | 21001466 | HOSE, INLET (S/P) |
| 9 | 89503 | HOSE, 4' INLET (S/P) |
| 10 | 22002960 | WASHER, FILTER (S/P) |
| 11 | 40053901 | HOSE, DRAIN (S/P) |
| 12 | 22003814 | RETAINER, DRAIN HOSE (S/P) |
| 13 | 40008101 | ADAPTER, STANDPIPE (S/P) |
| 14 | 8539404 | STRAP, STANDPIPE BEAD (S/P) |
| 15 | 40058501 | RELIEF, STRAIN DRAIN (S/P) |
| 16 | 36014 | CLIP, RETAINER-HOSE (S/P) |
| 17 | 25-7867 | CLAMP, HOSE (S/P) |
| 18 | 40094201 | HOSE, TUB TO PUMP (S/P) |
| 19 | 40044901 | STAND, HOSE (S/P) |

NAV5800AWW MOTOR

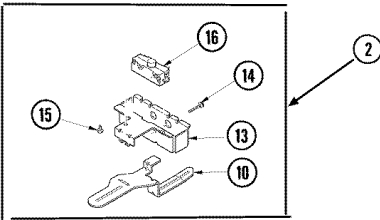
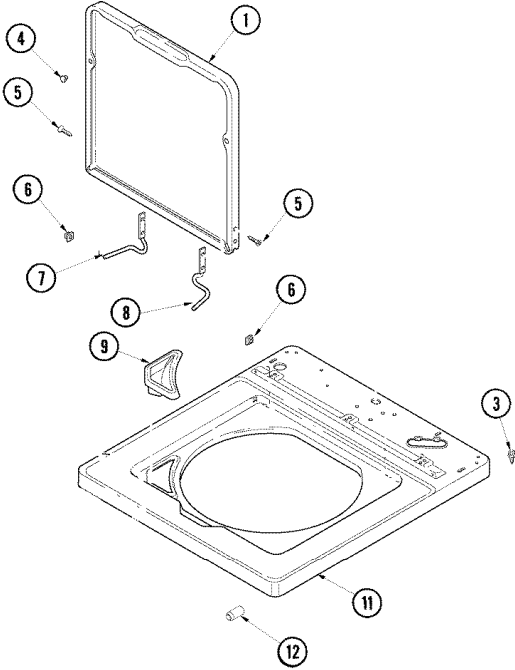




NAV5800AWW MOTOR

| | | |
|----|-----------|---|
| 1 | 40112301 | SHIELD, MOTOR (S/P) |
| 2 | 40046701 | SCREW, No.10X7/16 ID HX (S/P) |
| 3 | 27001215 | 2 SPEED MOTOR (S/P) |
| 4 | 40053701 | POST, ISOLATOR (S/P) |
| 5 | 40053801 | MOUNT, MOTOR UPPER (S/P) |
| 6 | 40128701 | SCREW, 5/16-18 X .50 (S/P) |
| 7 | 40015502R | BRACKET, MOTOR MOUNT DESCONTINUADO |
| 8 | 40054301 | MOUNT, MOTOR LOWER (S/P) |
| 9 | 40095101 | LOCKNUT, 10-32 (S/P) |
| 10 | 40061401 | SPRING, IDLER LEVER (S/P) |
| 11 | 23748 | RING, RETAINING (S/P) |
| 12 | 27001028 | IDLER LEVER ASSEMBLY (S/P) |
| 13 | 40063701 | SCREW, 10-16X1.75 (S/P) |
| 14 | 27001024 | CLAMP, HOSE (S/P) |
| 14 | 27001233 | PUMP ASSEMBLY |
| 15 | 27001006 | BELT, SPIN & AGITATOR (S/P) |
| 16 | 52549 | WASHER, 501 ID X3/4 ODX (S/P) |
| 17 | 40038901 | SCREW, 1/4-20 (S/P) |
| 17 | 40045001 | IDLER PULLEY ASSEMBLY (S/P) |
| 17 | 27001225 | NUT, JAM MID LOCK 1/4-20 (S/P) |

NAV5800AWW CUBIERTA

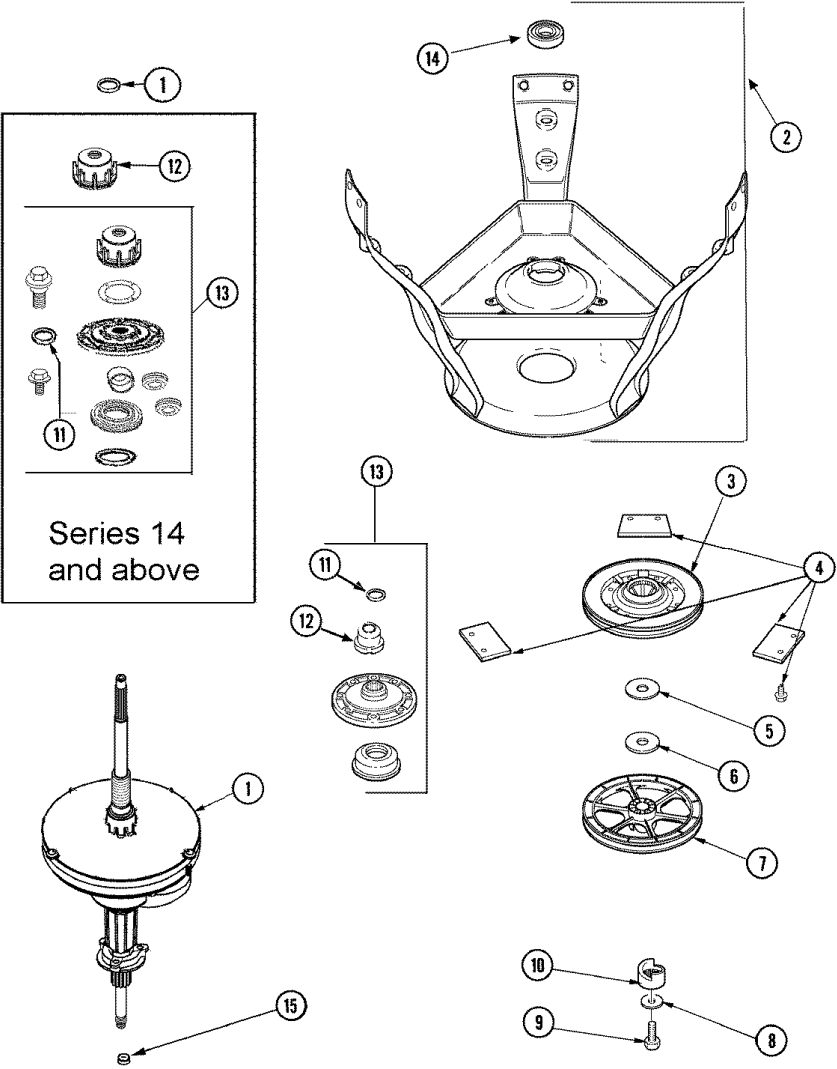




NAV5800AWW CUBIERTA

| | | |
|----|----------|--------------------------------|
| 1 | 27001093 | LID (WHT W/INSTRUCTIONS) (S/P) |
| 1 | 27001129 | MEDALLION (S/P) |
| 2 | 40034901 | LID SWITCH ASSEMBLY (S/P) |
| 3 | 501086 | SCREW, 8B-18X3/8 SLT (S/P) |
| 4 | 40038001 | BUMPER (S/P) |
| 5 | 40039201 | SCREW, 6-32X.340 FLAT (S/P) |
| 6 | 40008201 | BUSHING, HINGE (S/P) |
| 7 | 40094002 | HINGE, LID LEFT STOP (S/P) |
| 8 | 40094101 | HINGE, LID RIGHT PASS (S/P) |
| 9 | 27001117 | DISPENSER, BLEACH (GRAY) (S/P) |
| 10 | 40009701 | ARM, LID SWITCH |
| 11 | 27001182 | PANEL, TOP (WHT) (S/P) |
| 12 | 40102101 | CAP, HINGE (S/P) |
| 13 | 40009801 | HOLDER, LID SWITCH |
| 14 | 40040701 | SCREW, TAPPING No.6B-20 (S/P) |
| 15 | 501086 | SCREW, 8B-18X3/8 SLT (S/P) |
| 16 | 27001095 | SWITCH, LID |

NAV5800AWW BASE



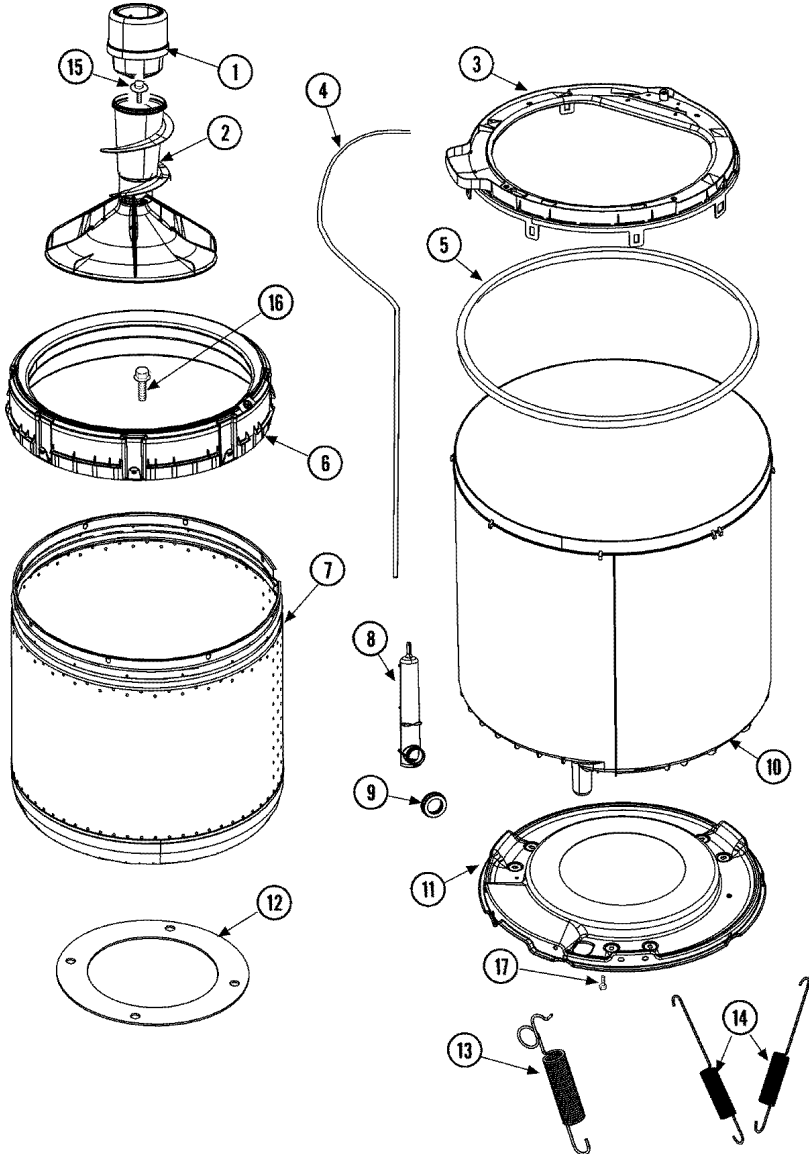
Series 14 and above



NAV5800AWW BASE

| | | |
|----|-----------|---|
| 1 | 27001039 | TRANSMISSION ASM (710 RPM) (S/P) |
| 2 | 12002013 | ASSEMBLY, MILK STOOL & BEARING (S/P) |
| 3 | R9900474 | BRAKE ASSEMBLY |
| 4 | R0000014 | KIT, BRAKE PAD |
| 4 | 26594P | GREASE, SILICONE - 2OZ TUBE (S/P) |
| 5 | 40065701 | WASHER, 2 ODX.63 ID |
| 6 | 40063201 | WASHER, FLAT |
| 7 | 40047102 | PULLEY, SPIN/AGIT (710 RPM) |
| 8 | 40041501 | WASHER |
| 9 | 40063401 | SCREW, 1/4-20X5/8 HEX |
| 10 | 40047402 | HELIX, PLASTIC |
| 11 | 25-7941 | ``O`` RING (S/P) |
| 12 | 21001533 | SEAL NUT ASSEMBLY |
| 13 | 2202265 | SEAL REPAIR KIT |
| 13 | 40004201P | MAIN BEARING ASSEMBLY |
| 13 | 2204512 | TRIPLE LIP SEAL/BEARING KIT |
| 14 | 40004001 | BEARING, MAIN |
| 15 | 207843 | SEAL, TRANSMISSION HOUSING(LIP) |

NAV5800AWW TINAS (SERIE 12)

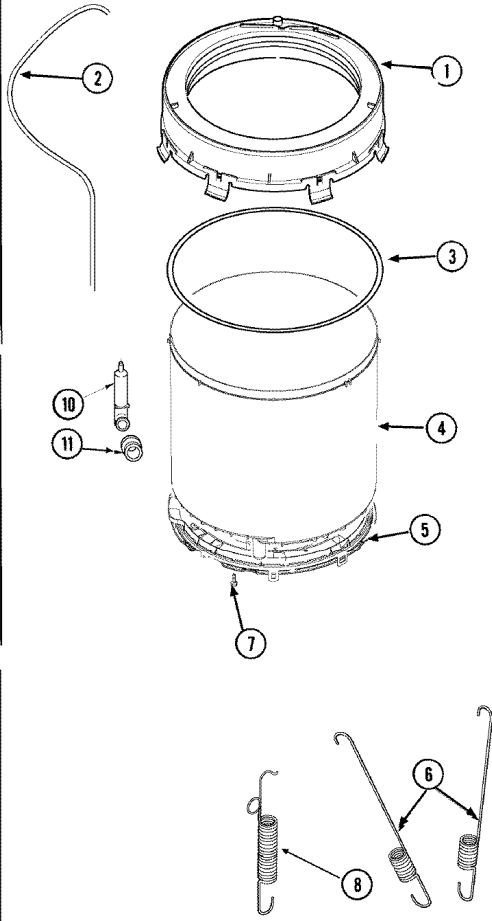
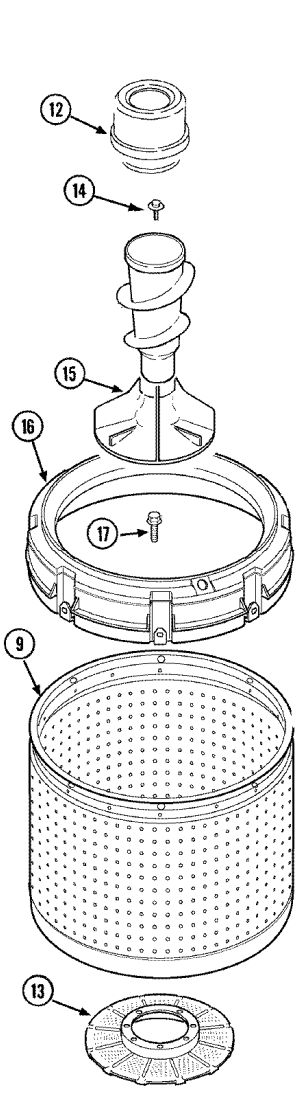




NAV5800AWW TINAS (SERIE 12)

| | | |
|----|-----------|---|
| 1 | 27001097 | DISPENSER, FABRIC (GRAY) (S/P) |
| 2 | 22004042 | AGITATOR/AUGER ASSY (AS PK) |
| 3 | 27001195 | COVER, OUTER TUB W GASKET (S/P) |
| 4 | 21001748 | TUBING, PVC 26`` (S/P) |
| 5 | 27001130 | SEAL, TUB COVER (S/P) |
| 6 | 27001052 | BALANCE RING (S/P) |
| 7 | 12002787 | TUB, SS INNER W/O L/F HOLES -S (S/P) |
| 8 | 40008501 | ASSEMBLY, PRESSURE BULB |
| 9 | 40037801 | GROMMET |
| 10 | 27001227 | OUTER TUB, PLASTIC (LARGE) (S/P) |
| 10 | 40111001P | TUB, PLASTIC OUTER (S/P) |
| 11 | 27001067 | BOTTOM, OUTER TUB (S/P) |
| 11 | 40015401 | SEAL-HEAD |
| 11 | 40128701 | SCREW, 5/16-18 X .50 (S/P) |
| 12 | 27001222 | GASKET, FOAM (S/P) |
| 13 | Y2201244 | SPRING, COUNTERWEIGHT (S/P) |
| 14 | Y37001124 | SPRING, TALL TUB (S/P) |
| 15 | 25-8004 | SCREW, AGITATOR RETENTION |
| 16 | Y2201470 | SCREW (W/LOCTITE) (S/P) |
| 17 | 40064301 | SCREW, 1/4-15X3/4 HEX (S/P) |

NAV580AWW TINAS





NAV5800AWW TINAS

| | | |
|----|-----------|---|
| 1 | 27001195 | COVER, OUTER TUB W GASKET (S/P) |
| 2 | 21001748 | TUBING, PVC 26`` (S/P) |
| 3 | 27001130 | SEAL, TUB COVER (S/P) |
| 4 | 40111001P | TUB, PLASTIC OUTER (S/P) |
| 5 | 27001067 | BOTTOM, OUTER TUB (S/P) |
| 6 | Y37001124 | SPRING, TALL TUB (S/P) |
| 7 | 40064301 | SCREW, 1/4-15X3/4 HEX (S/P) |
| 8 | Y2201244 | SPRING, COUNTERWEIGHT (S/P) |
| 9 | 719P3 | ASSEMBLY, WASH TUB S.S (S/P) |
| 10 | 40008501 | ASSEMBLY, PRESSURE BULB |
| 11 | 40037801 | GROMMET |
| 12 | 27001097 | DISPENSER, FABRIC (GRAY) (S/P) |
| 13 | 40008001 | FILTER, LINT (S/P) |
| 14 | 25-8004 | SCREW, AGITATOR RETENTION |
| 15 | 22004042 | AGITATOR/AUGER ASSY (AS PK) |
| 16 | 27001052 | BALANCE RING (S/P) |
| 17 | 40063301 | SCREW, 5/16-18X7/8 HX Final del formulari (S/P) |