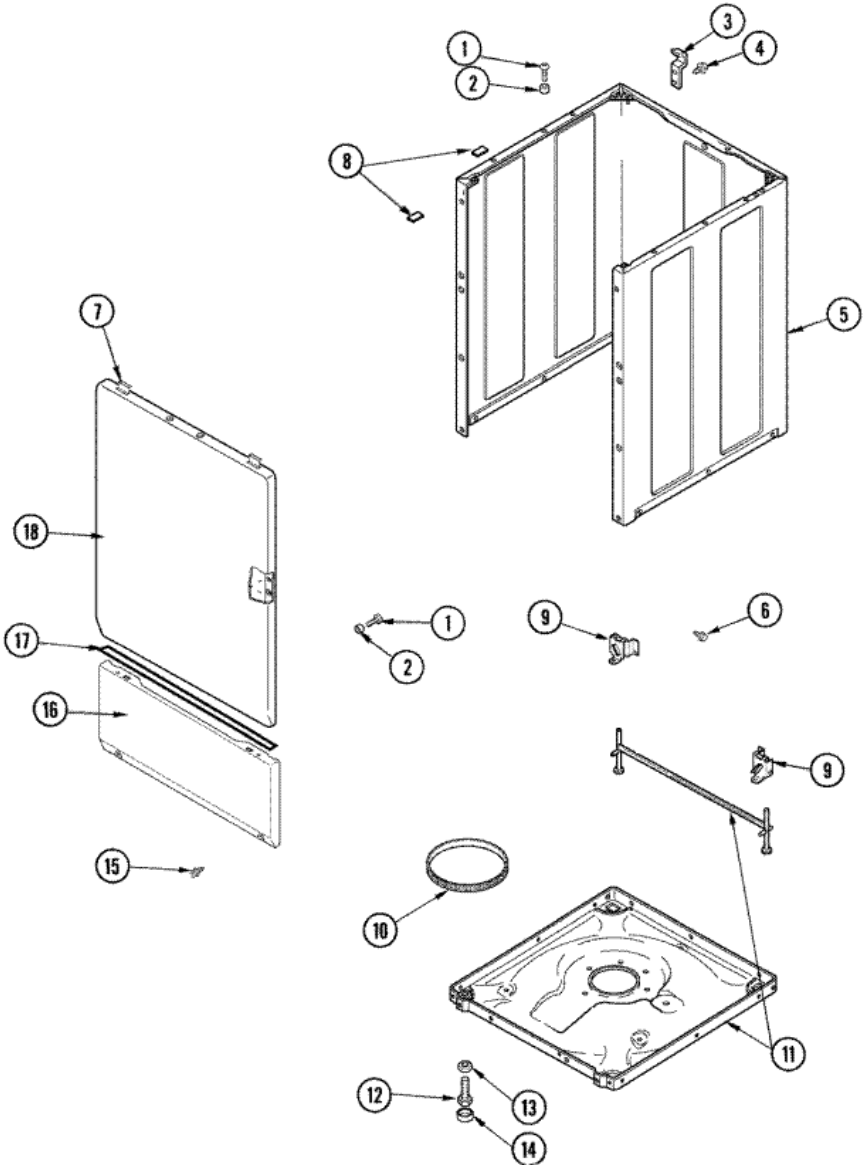


NAV8800EWW GABINETE

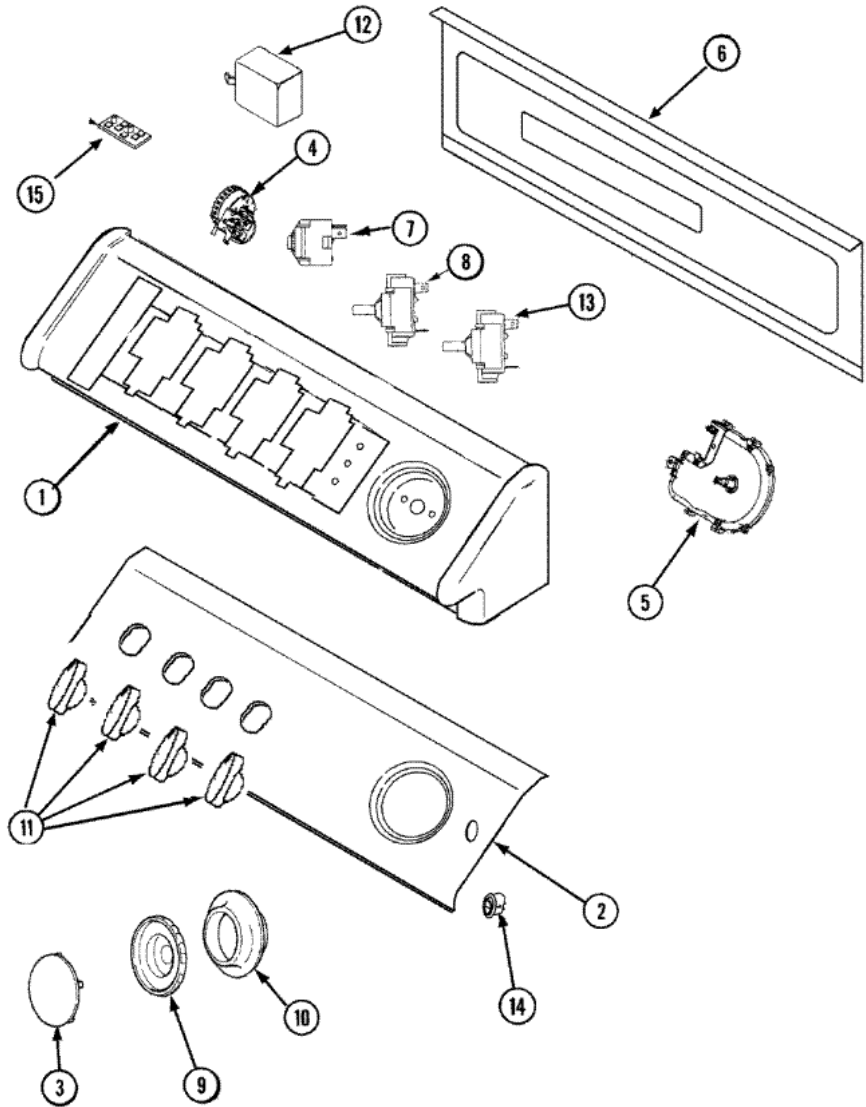




NAV8800EWW GABINETE

1	32671	SCREW, TAPPING (S/P)
2	505187	LOCATOR, PANEL (S/P)
3	500003	HINGE, TOP (S/P)
4	40064801	SCREW, 10B-16X1/4 (S/P)
5	37001284	CABINET, DRYER & WASHER (WHT) (S/P)
6	40038201	SCREW, 12BX1/2No.10 HX (S/P)
7	501086	SCREW, 8B-18X3/8 SLT (S/P)
7	22001650	CLIP, SPRING
8	Y56128	PAD, BUMPER (S/P)
9	40031501	BRACKET, SELF LEVELING (S/P)
10	40037401	RING, FRICTION
11	27001226	BASE & LEVELING ASSEMBLY (S/P)
12	40039001	LEG, LEVELING
13	40038101	NUT, LEG (S/P)
14	40016001	FOOT, RUBBER
15	40034101	SCREW, No.12BX1/2 (S/P)
16	37001074	PANEL, ACCESS (GRAY) (S/P)
17	40083101	TAPE, FOAM (S/P)
18	40035401WP	PANEL, FRONT (WHT) (S/P)
18	22001817	SHEET, SOUND DAMPER (FT. PNL) (S/P)

NAV8800EWW TABLERO





NAV8800EWW TABLERO

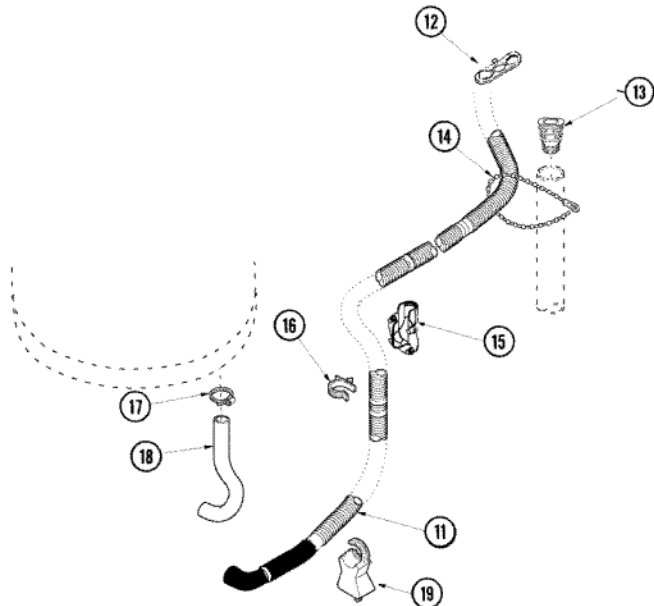
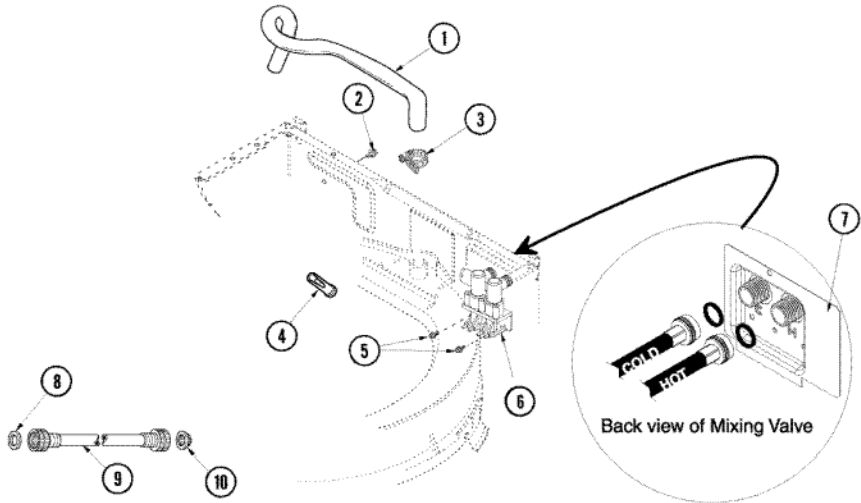
1	27001085	CONSOLE (GRAY) (S/P)
2	33001855	SCREW (HEX HEAD) (S/P)
2	27001050	FACIA GROUND WIRE ASSEMBLY (S/P)
2	27001210	FACIA (S/P)
3	27001087	KNOB, CAP (WHT) (S/P)
4	27001203	SWITCH, PRESSURE (S/P)
5	27001106	TIMER (S/P)
6	27001051	BACK PANEL, HOOD/CONSOLE (S/P)
7	22001794	SWITCH, ROTARY (2 POS) (S/P)
8	27001197	SWITCH, TEMPERATURE (4 POS) (S/P)
9	27001090	KNOB, TIMER (BLUE-GRAY) (S/P)
10	27001092	SKIRT, TIMER KNOB (S/P)
10	22002997	PIN, LOCKING
11	27001091	KNOB, SELECTOR (BLUE-GRAY) (S/P)
12	33001623	BUZZER, NON-ADJUSTABLE (S/P)
13	27001103	SWITCH, ROTARY (2 POS) (S/P)
14	22003981	SWITCH, MOMENTARY ROCKER (WHT) (S/P)
15	27001208	CONTROL, ATC BOARD (S/P)
16	27001142	CORD, POWER (LEAD-IN) (S/P)

Distribuidor Autorizado

SurteRápido.com

Venta de Refacciones
Electrodomesticas

NAV8800EWW MANGUERAS

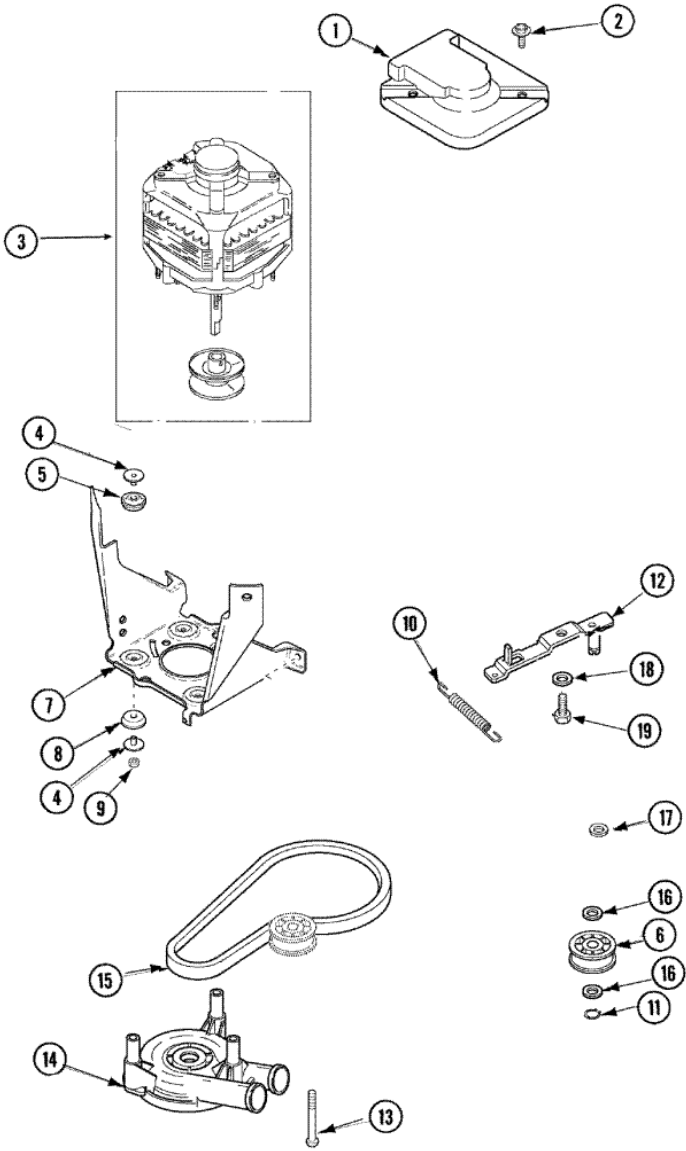




NAV8800EWW MANGUERAS

1	27001184	HOSE, MIXING VALVE TO TUB (S/P)
2	503661	SCREW, 10-16X.44 UNS (S/P)
3	Y2200954	CLAMP, SPRING HOSE (S/P)
4	22001900	PREVENTER, BACK FLOW (S/P)
5	501086	SCREW, 8B-18X3/8 SLT (S/P)
6	40107001	VALVE, MIXING-E2
7	40098801	PLATE, MIXING VALUE (S/P)
8	20290	WASHER, 19/32 IDX1.031 (S/P)
9	89503	HOSE, 4" INLET
9	21001466	HOSE, INLET (S/P)
10	22002960	WASHER, FILTER (S/P)
11	40053901	HOSE, DRAIN
12	22003814	RETAINER, DRAIN HOSE (S/P)
13	40008101	ADAPTER, STANDPIPE (S/P)
14	8539404	STRAP, STANDPIPE BEAD (S/P)
15	40058501	RELIEF, STRAIN DRAIN (S/P)
16	36014	CLIP, RETAINER-HOSE (S/P)
17	36801	CLAMP, HOSE (S/P)
18	40094201	HOSE, TUB TO PUMP (S/P)
19	40044901	STAND, HOSE (S/P)

NAV8800EWW MOTOR

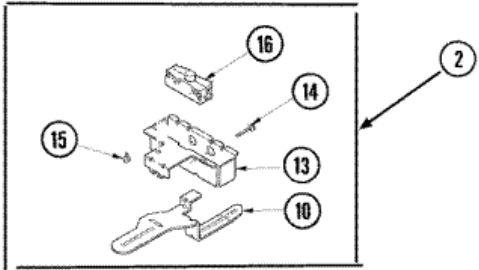
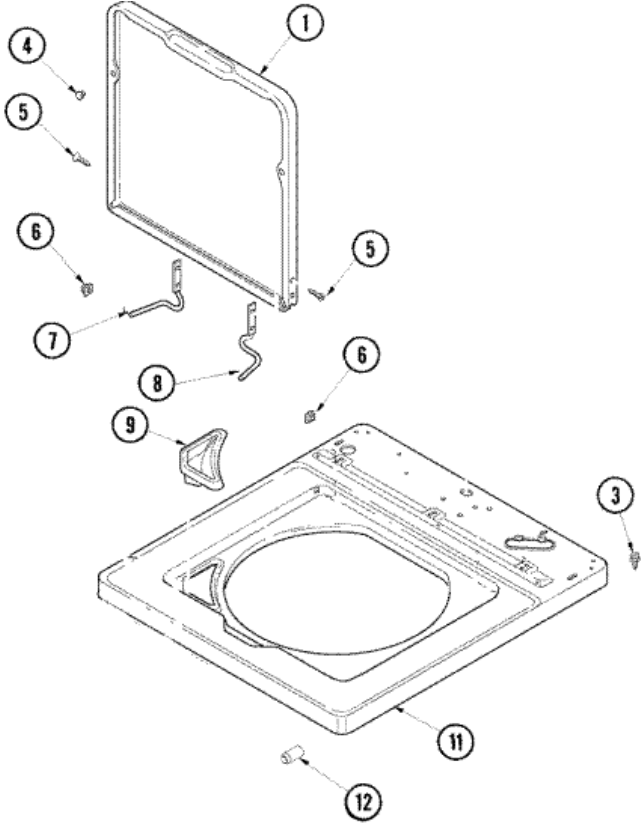




NAV8800EWW MOTOR

1	40112301	SHIELD, MOTOR (S/P)
2	40046701	SCREW, No.10X7/16 ID HX (S/P)
3	12002133	MOTOR (3 SP)
3	40084501	CAPACITOR (S/P)
4	40053701	POST, ISOLATOR (S/P)
5	40053801	MOUNT, MOTOR UPPER (S/P)
6	40045001	IDLER PULLEY ASSEMBLY
7	40015502R	BRACKET, MOTOR MOUNT
8	40054301	MOUNT, MOTOR LOWER (S/P)
9	40095101	LOCKNUT, 10-32 (S/P)
10	40061401	SPRING, IDLER LEVER
11	23748	RING, RETAINING (S/P)
12	40038901	SCREW, 1/4-20 (S/P)
12	27001028	IDLER LEVER ASSEMBLY
12	27001225	NUT, JAM MID LOCK 1/4-20 (S/P)
13	40063701	SCREW, 10-16X1.75 (S/P)
14	27001024	CLAMP, HOSE (S/P)
14	27001233	PUMP ASSEMBLY
15	27001006	BELT, SPIN & AGITATOR
16	52549	WASHER, 501 ID X3/4 ODX (S/P)
17	Y504082	WASHER, WAVE (S/P)
18	40054701	WASHER (S/P)
19	40038901	SCREW, 1/4-20 (S/P)

NAV8800EWW CUBIERTA

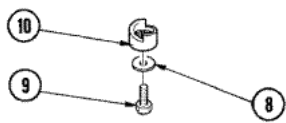
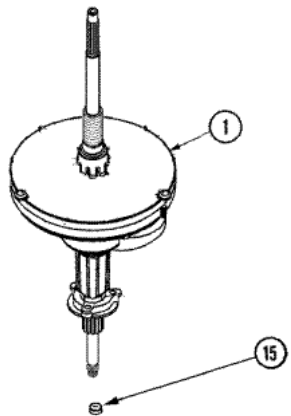
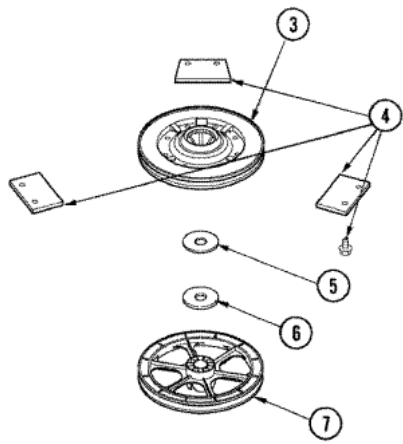
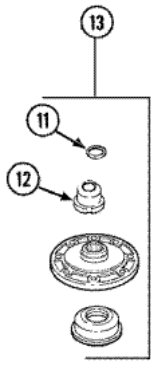
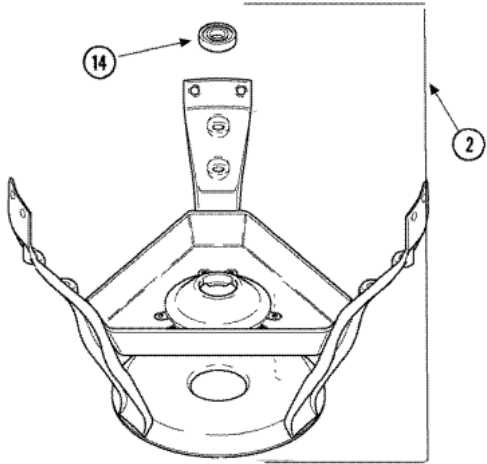
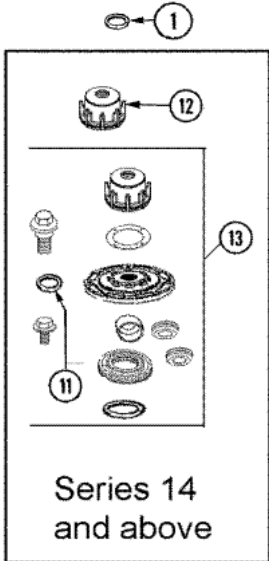




NAV8800EWW CUBIERTA

1	27001129	MEDALLION (S/P)
1	27001093	LID (WHT W/INSTRUCTIONS) (S/P)
2	40034901P	LID SWITCH ASSEMBLY (S/P)
3	501086	SCREW, 8B-18X3/8 SLT (S/P)
4	40038001	BUMPER (S/P)
5	40039201	SCREW, 6-32X.340 FLAT (S/P)
6	40008201	BUSHING, HINGE (S/P)
7	40094002	HINGE, LID LEFT STOP (S/P)
8	40094101	HINGE, LID RIGHT PASS (S/P)
9	27001117	DISPENSER, BLEACH (GRAY) (S/P)
10	40009701	ARM, LID SWITCH
11	27001182	PANEL, TOP (WHT) (S/P)
12	40102101	CAP, HINGE (S/P)
13	40009801	HOLDER, LID SWITCH (S/P)
14	40040701	SCREW, TAPPING No.6B-20 (S/P)
15	501086	SCREW, 8B-18X3/8 SLT (S/P)
16	27001095	SWITCH, LID

NAV8800EWW TRANSMISION

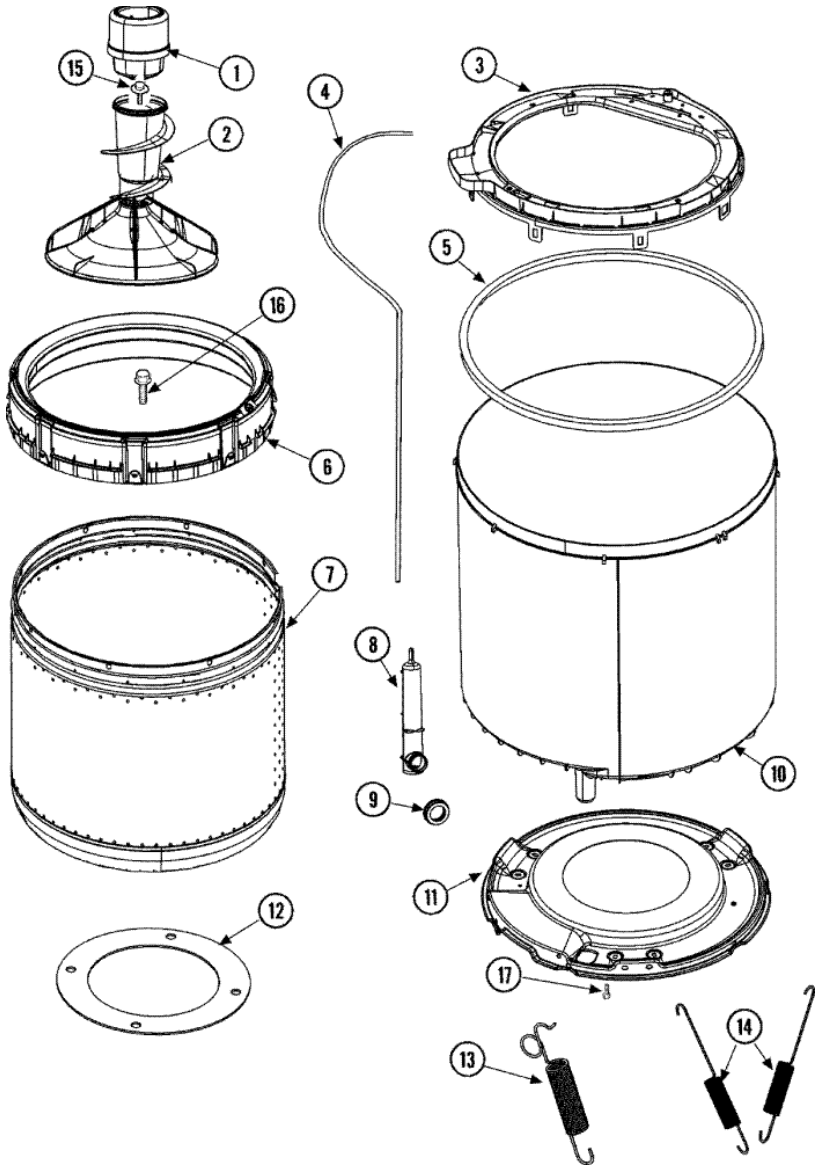




NAV8800EWW TRANSMISION

1	27001039	TRANSMISSION ASM (710 RPM) (S/P)
2	12002013	ASSEMBLY, MILK STOOL & BEARING (S/P)
3	R9900474	BRAKE ASSEMBLY
4	26594P	GREASE, SILICONE - 2OZ TUBE (S/P)
4	R0000014	KIT, BRAKE PAD
5	40065701	WASHER, 2 ODX.63 ID (S/P)
6	40063201	WASHER, FLAT
7	40047102	PULLEY, SPIN/AGIT (710 RPM)
8	40041501	WASHER
9	40063401	SCREW, 1/4-20X5/8 HEX
10	40047402	HELIX, PLASTIC
11	25-7941	``O`` RING DESCONTINUADO
12	21001533	SEAL NUT ASSEMBLY
13	2204512	TRIPLE LIP SEAL/BEARING KIT
13	2202265	SEAL REPAIR KIT
13	40004201P	MAIN BEARING ASSEMBLY
14	40004001	BEARING, MAIN
15	207843	SEAL, TRANSMISSION HOUSING(LIP)

NAV8800EWW TINAS SERIE 12

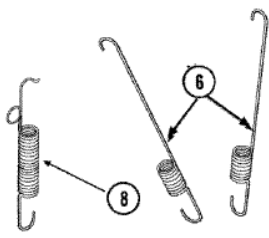
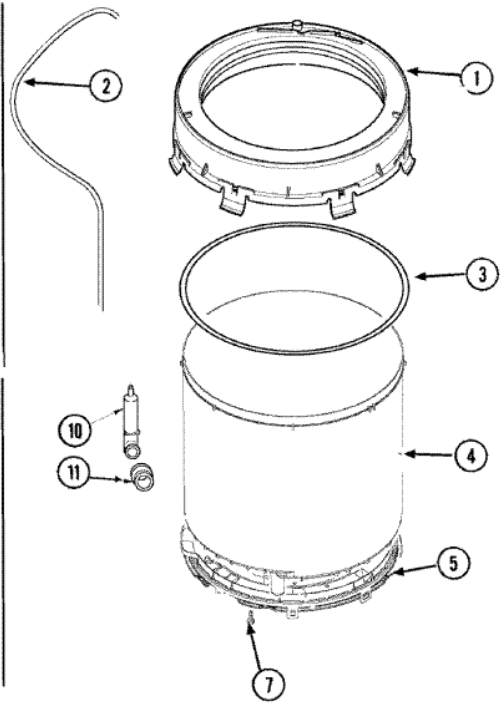
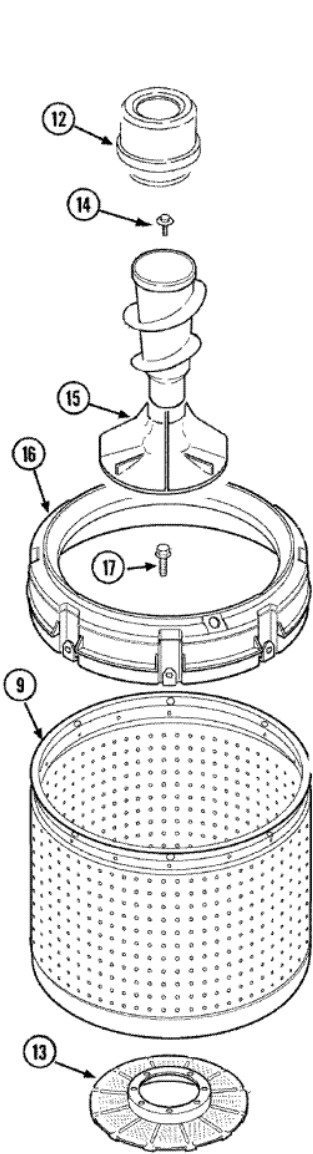




NAV8800EWW TINAS SERIE 12

1	27001097	DISPENSER, FABRIC (GRAY) (S/P)
2	22004042	AGITATOR/AUGER ASSY (AS PK)
3	27001195	COVER, OUTER TUB W GASKET (S/P)
4	21001748	TUBING, PVC 26` (S/P)
5	27001130	SEAL, TUB COVER (S/P)
6	27001052	BALANCE RING (S/P)
7	12002787	TUB, SS INNER W/O L/F HOLES -S (S/P)
8	40008501	ASSEMBLY, PRESSURE BULB
9	40037801	GROMMET
10	40111001P	TUB, PLASTIC OUTER (S/P)
11	40001102P	BOTTOM, OUTER TUB (S/P)
11	27001067	BOTTOM, OUTER TUB (S/P)
11	40128701	SCREW, 5/16-18 X .50 (S/P)
11	40015401	SEAL-HEAD
12	27001222	GASKET, FOAM (S/P)
13	27001025	SPRING, COUNTERWEIGHT (S/P)
14	Y37001124	SPRING, TALL TUB (S/P)
15	25-8004	SCREW, AGITATOR RETENTION
16	Y2201470	SCREW (W/LOCTITE) (S/P)
17	40064301	SCREW, 1/4-15X3/4 HEX (S/P)

NAV8800EWW TINAS





NAV8800EWW TINAS

1	27001195	COVER, OUTER TUB W GASKET (S/P)
2	21001748	TUBING, PVC 26`` (S/P)
3	27001130	SEAL, TUB COVER (S/P)
4	40111001P	TUB, PLASTIC OUTER (S/P)
5	27001067	BOTTOM, OUTER TUB (S/P)
6	27001026	SPRING, TALL TUB (S/P)
7	40064301	SCREW, 1/4-15X3/4 HEX (S/P)
8	27001025	SPRING, COUNTERWEIGHT (S/P)
9	40000801	ASSEMBLY, WASH TUB S.S (S/P)
10	40008501	ASSEMBLY, PRESSURE BULB
11	40037801	GROMMET
12	27001097	DISPENSER, FABRIC (GRAY) (S/P)
13	40008001	FILTER, LINT (S/P)
14	25-8004	SCREW, AGITATOR RETENTION
15	22004042	AGITATOR/AUGER ASSY (AS PK)
16	27001052	BALANCE RING (S/P)
17	40063301	SCREW, 5/16-18X7/8 HX (S/P)