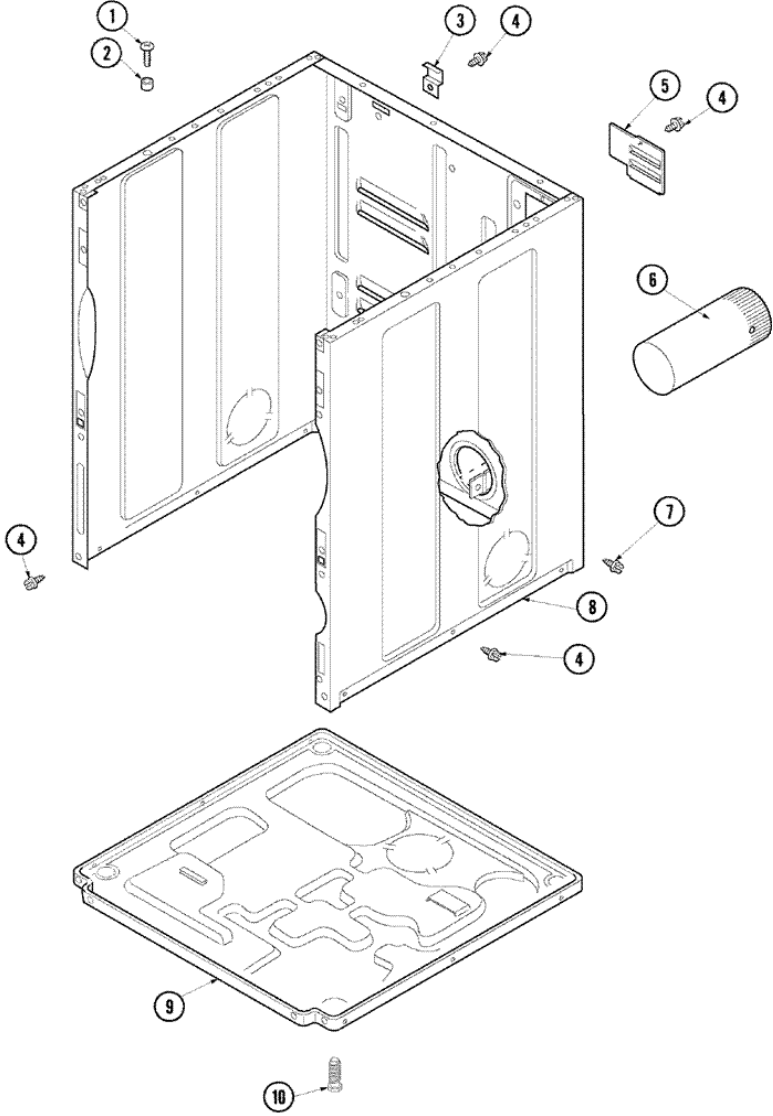


NDG580AWW GABINETE

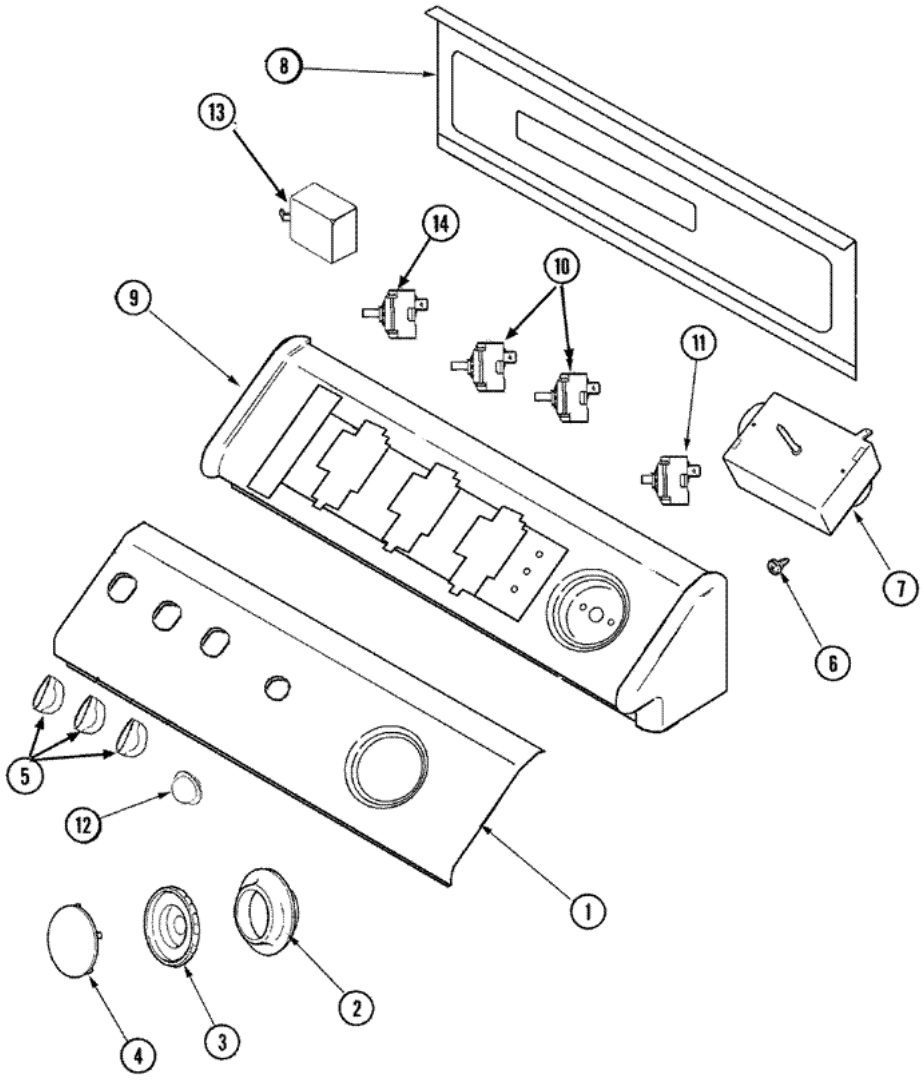




NDG5800AWW GABINETE

| | | |
|----|----------|-------------------------------------|
| 1 | 32671 | SCREW, TAPPING (S/P) |
| 2 | 505187 | LOCATOR, PANEL (S/P) |
| 3 | 500003 | HINGE, TOP (S/P) |
| 4 | 503661 | SCREW, 10-16X.44 UNS (S/P) |
| 5 | 500114 | PANEL, ACCESS COVER (S/P) |
| 6 | 505518 | DUCT, EXHAUST (S/P) |
| 7 | 503688 | SCREW (S/P) |
| 8 | 37001284 | CABINET, DRYER & WASHER (WHT) (S/P) |
| 9 | 500070 | BASE, DRYER (S/P) |
| 10 | Y500101 | LEG, LEVELING (PLASTIC) (S/P) |
| 11 | 33002494 | CORD, POWER (AS WRAP) (S/P) |

NDG5800AWW TABLERO

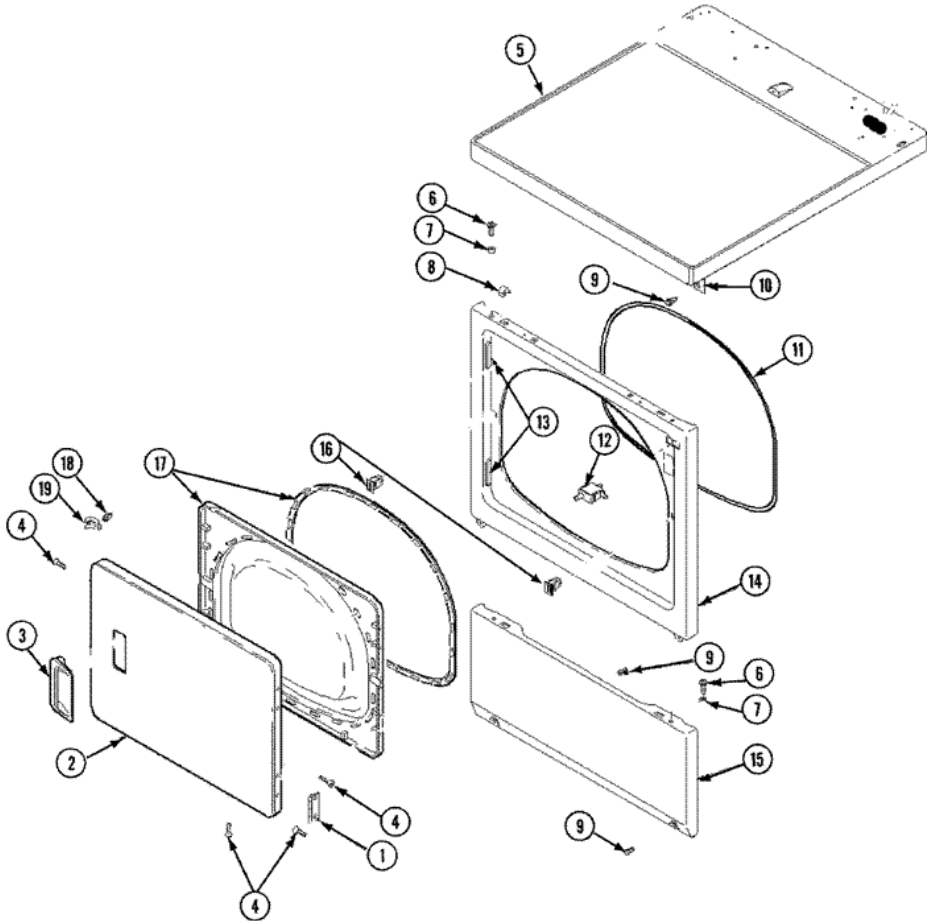




NDG5800AWW TABLERO

| | | |
|----|-----------|------------------------------------|
| 1 | 37001080 | FACIA, GRAPHIC PANEL (S/P) |
| 2 | 37001067 | DIAL, TIMER (S/P) |
| 3 | 37001068 | KNOB, TIMER (GRAY) (S/P) |
| 4 | 27001087 | KNOB, CAP (WHT) (S/P) |
| 5 | 27001091 | KNOB, SELECTOR (BLUE-GRAY) (S/P) |
| 6 | 37001031 | SCREW, No.8-32X3/8` HEX (S/P) |
| 7 | 37001081 | TIMER (7 CYCLE) (S/P) |
| 8 | 37001072 | PANEL, BACK (S/P) |
| 9 | 27001085 | CONSOLE (GRAY) (S/P) |
| 10 | 22001794 | SWITCH, ROTARY (2 POS) (S/P) |
| 11 | 37001070 | SWITCH, PUSH-TO-START (WHT) (S/P) |
| 12 | 37001071 | BUTTON, PUSH-TO-START (WHT) (S/P) |
| 13 | 33001848 | SIGNAL, END OF CYCLE (CHIME) (S/P) |
| 13 | Y22002339 | SCREW (S/P) |
| 14 | 33001640 | SWITCH, TEMPERATURE (S/P) |

NDG5800AWW PUERTA





NDG5800AWW PUERTA

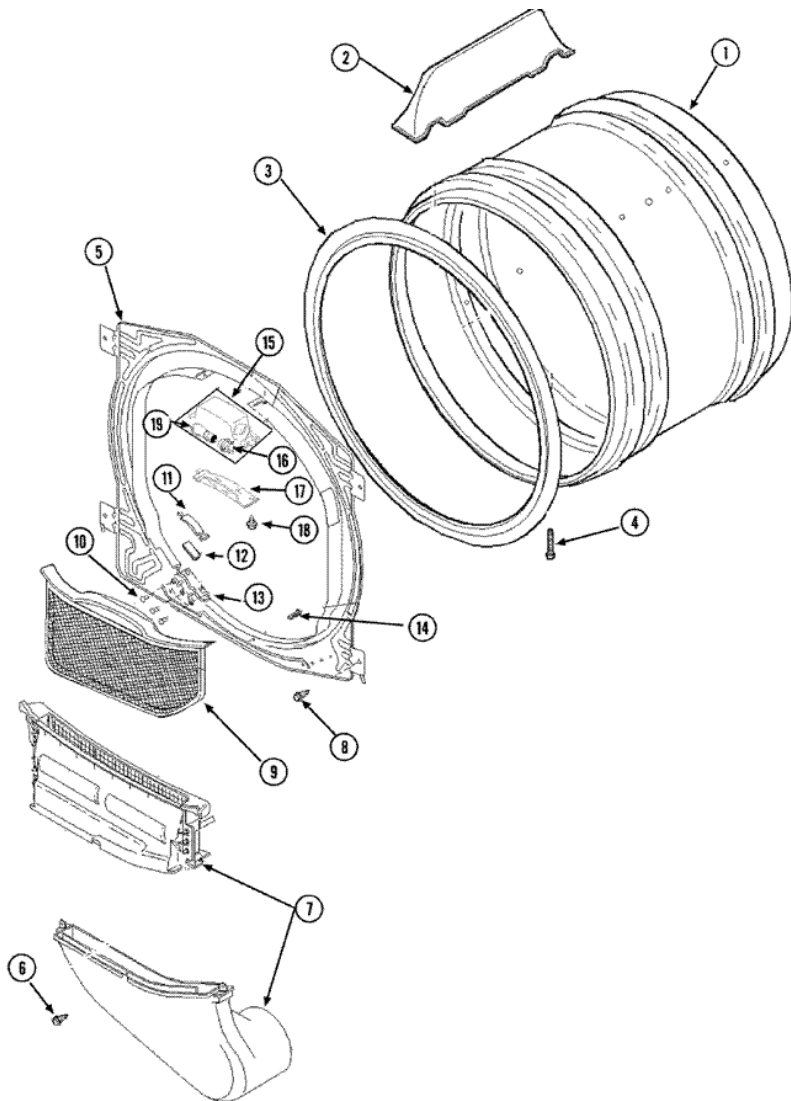
| | | |
|----|----------|---------------------------------------------|
| 1 | Y503676 | HINGE, DOOR & TOP (S/P) |
| 2 | 37001029 | DOOR, DRYER (WHT) (S/P) |
| 3 | 37001073 | HANDLE, DOOR (GRAY) (S/P) |
| 4 | 37001030 | SCREW, No.8AB-16X3/4 FH (S/P) |
| 5 | Y56128 | PAD, BUMPER (S/P) |
| 5 | 37001027 | PANEL, TOP (WHT) (S/P) |
| 6 | 32671 | SCREW, TAPPING (S/P) |
| 7 | 505187 | LOCATOR, PANEL (S/P) |
| 8 | 22001650 | CLIP, SPRING |
| 9 | 503661 | SCREW, 10-16X.44 UNS (S/P) |
| 10 | 40130801 | BRACKET, TOP MOUNT (S/P) |
| 11 | 504005 | SEAL, FRONT PANEL (S/P) |
| 12 | 33001508 | SWITCH, DOOR |
| 13 | 503126 | PLUG, HINGE HOLE (S/P) |
| 14 | 503656WP | PANEL, FRONT (WHT) (S/P) |
| 15 | 37001074 | PANEL, ACCESS (GRAY) (S/P) |
| 16 | 279570 | CATCH, DOOR |
| 17 | 37001028 | SEAL & LINER, ASSY(INNER DOOR) (S/P) |
| 18 | 500039 | STRIKE, DOOR (METAL) (S/P) |
| 19 | 40116201 | BRACKET, DOOR STRIKE (S/P) |

Distribuidor Autorizado

SurteRápido.com

Venta de Refacciones
Electrodomesticas

NDG5800AWW TAMBOR

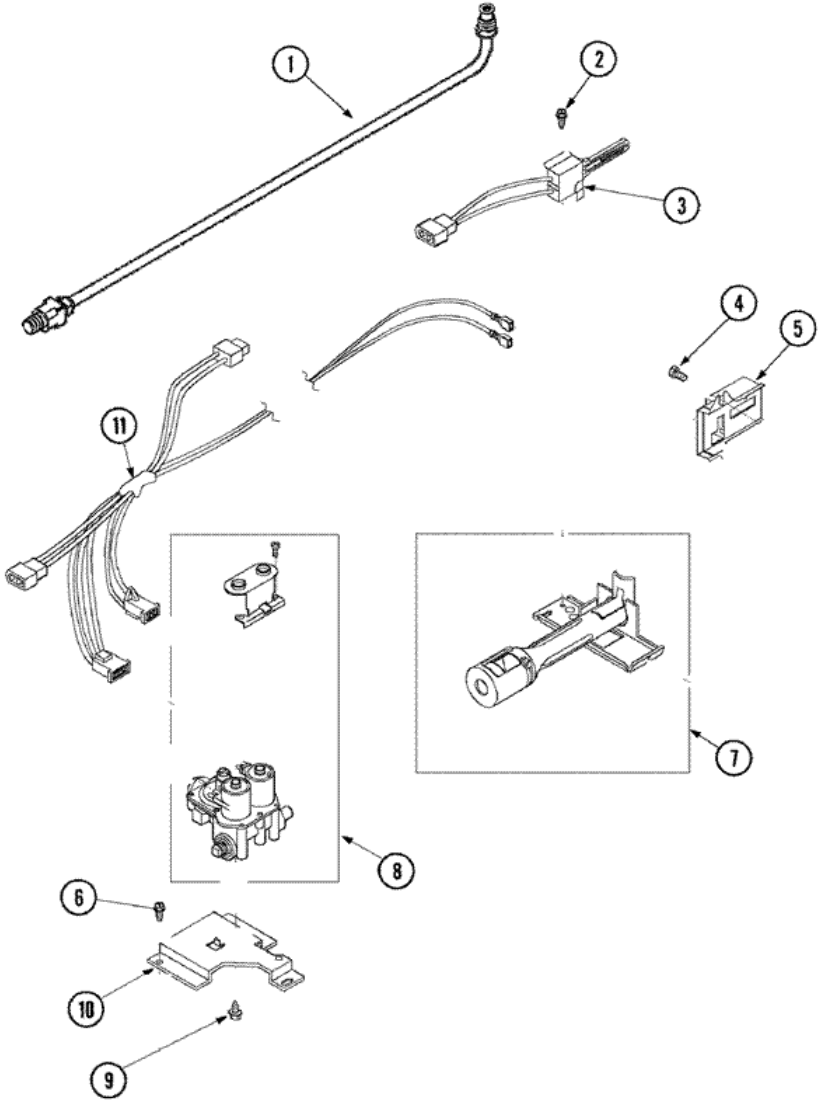




NDG5800AWW TAMBOR

| | | |
|----|----------|------------------------------------------|
| 1 | 504467WP | CYLINDER ASSEMBLY (PAINTED) (S/P) |
| 2 | 12002559 | BAFFLES (GRAY) (S/P) |
| 3 | 37001132 | SEAL, CYLINDER |
| 4 | Y62588 | SCREW, 10BT-12 X 1 TAP (S/P) |
| 5 | 503616WP | ASSEMBLY, BULKHEAD-FRONT (S/P) |
| 6 | 501285 | SCREW, NO.12 X 9/16 (S/P) |
| 7 | 40124501 | ASSY, UPPR/LWR AIR DUCT |
| 8 | 503688 | SCREW (S/P) |
| 9 | 37001086 | FILTER, LINT (GRAY) (S/P) |
| 10 | 37001031 | SCREW, NO.8-32X3/8` HEX (S/P) |
| 11 | 37001298 | GLIDE, CYLINDER(TAN) |
| 12 | 500121 | PAD, FELT-COIN (S/P) |
| 13 | 37001036 | BRACKET, CYLINDER GLIDE (S/P) |
| 14 | 500226 | SCREW, 8B-16X5/8 TAP (S/P) |
| 15 | Y504452 | LIGHT ASSEMBLY (S/P) |
| 16 | 504458 | HOLDER, LAMP (S/P) |
| 17 | 40094301 | LENS, LIGHT (S/P) |
| 18 | 505295 | SCREW, NO.8AB-16X3/4 PH (S/P) |
| 19 | 67001316 | LIGHT, CYLINDER (S/P) |

NDG5800AWW QUEMADOR

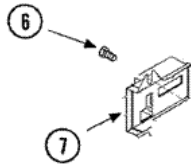
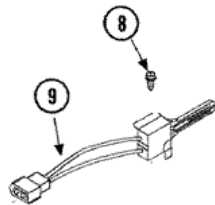
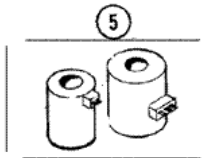
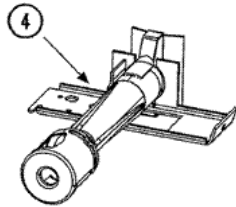
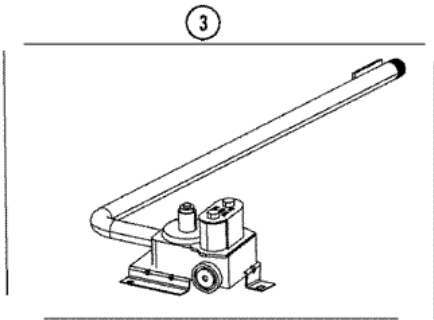
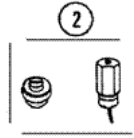
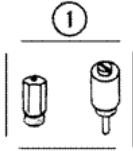




NDG5800AWW QUEMADOR

| | | |
|----|----------|---------------------------------------|
| 1 | 37001127 | PIPE, LEAD-IN (S/P) |
| 2 | 51782 | SCREW, 6B-20X5/16 (S/P) |
| 3 | 37001308 | IGNITER & BRACKET ASSEMBLY |
| 4 | 23222 | SCREW, 8B-18 X 1/4 HE (S/P) |
| 5 | 338906 | SENSOR, FLAME |
| 6 | 503688 | SCREW (S/P) |
| 7 | 56234 | ASSEMBLY, BURNER |
| 8 | 279834 | COIL KIT, GAS DRYER VALVE (2) |
| 8 | 37001002 | ASSEMBLY, GAS VALVE (S/P) |
| 9 | 56124 | SCREW, 8T-32X3/8 HE (S/P) |
| 10 | 500821 | BRACKET, MOUNTING (S/P) |
| 11 | 37001007 | HARNES, WIRE (GAS VALVE) (S/P) |

NDG5800AWW QUEMADOR (SERIE 16)





NDG5800AWW QUEMADOR (SERIE 16)

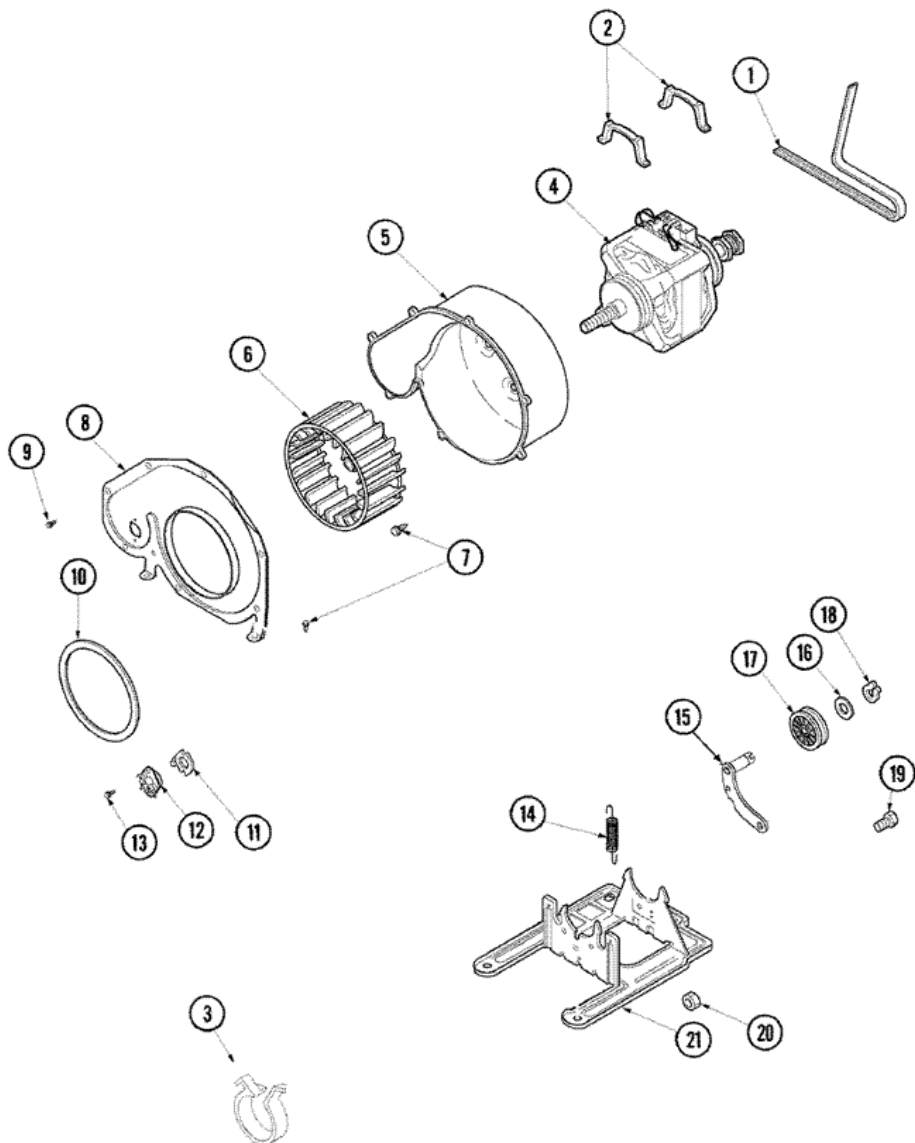
| | | |
|---|----------|-------------------------------------------|
| 1 | 649P3 | NATURAL TO LP CONVERSION KIT (S/P) |
| 2 | 650P3 | LP TO NATURAL CONVERSION KIT (S/P) |
| 3 | 37001127 | VALVE & PIPE ASSY (S/P) |
| 4 | 56234 | ASSEMBLY, BURNER |
| 5 | 279834 | COIL KIT, GAS DRYER VALVE (2) |
| 6 | 23222 | SCREW, 8B-18 X 1/4 HE (S/P) |
| 7 | 338906 | SENSOR, FLAME |
| 8 | 51782 | SCREW, 6B-20X5/16 (S/P) |
| 9 | 37001308 | IGNITER & BRACKET ASSEMBLY |

Distribuidor Autorizado

SurteRápido.com

Venta de Refacciones
Electrodomesticas

NDG5800AWW MOTOR

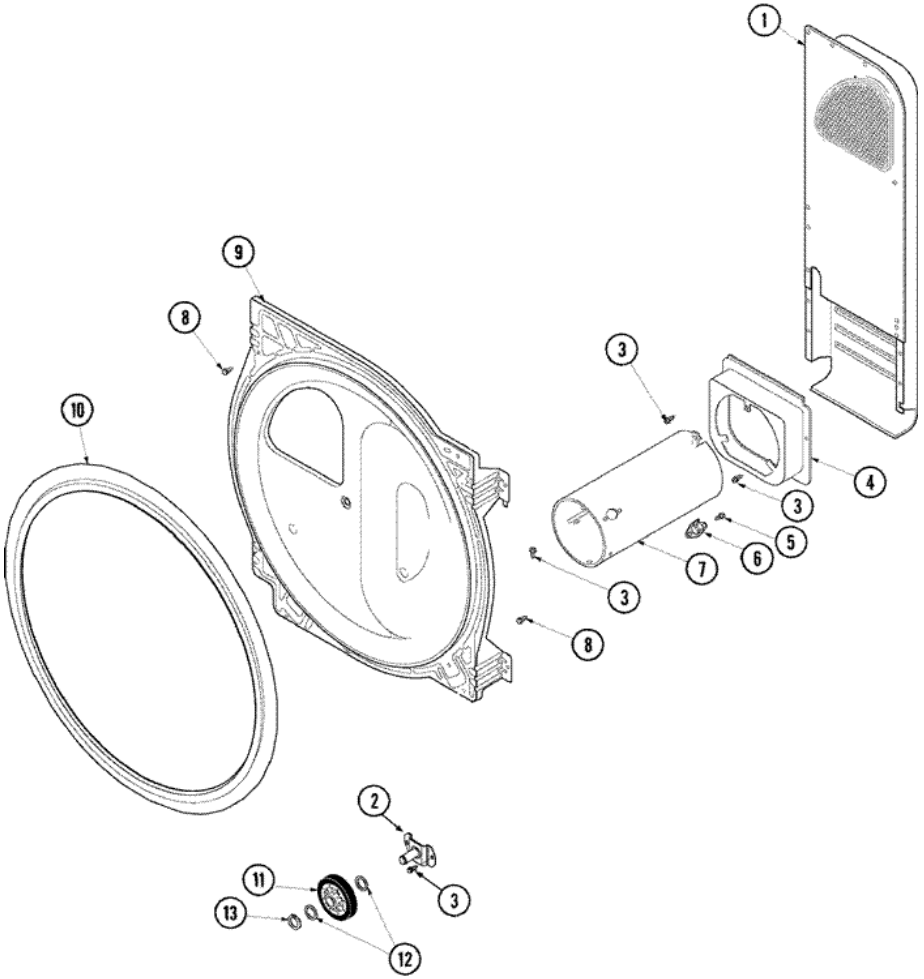




NDG5800AWW MOTOR

| | | |
|----|----------|-----------------------------------|
| 1 | 40111201 | BELT, CYLINDER |
| 2 | 660658 | CLAMP, MOTOR MOUNT (S/P) |
| 3 | 504034 | CLIP, WIRE (S/P) |
| 4 | 2200376 | MOTOR |
| 5 | 56020 | HOUSING, BLOWER (S/P) |
| 6 | 56000 | ASSEMBLY, BLOWER FAN |
| 7 | 503661 | SCREW, 10-16X.44 UNS (S/P) |
| 8 | 500078 | COVER, BLOWER HOUSING |
| 9 | 31260 | SCREW, No.8 X 3/8 IND H (S/P) |
| 10 | 37001119 | SEAL, BLOWER HOUSING (S/P) |
| 11 | 61623 | HEATER, THERMOSTAT (S/P) |
| 12 | 503979 | THERMOSTAT (CYCLING PK/WHT) (S/P) |
| 12 | 37001136 | THERMOSTAT, CYCLING 146F (S/P) |
| 13 | 31260 | SCREW, No.8 X 3/8 IND H (S/P) |
| 14 | 56076 | SPRING, IDLER (S/P) |
| 15 | 37001144 | ASSY, IDLER LEVER (S/P) |
| 15 | 37001287 | ASSY, IDLER LEVER/SHAFT/PULLEY |
| 16 | 52549 | WASHER, 501 ID X3/4 ODX (S/P) |
| 17 | 510142P | ASSEMBLY, WHEEL & BEARING |
| 18 | 23748 | RING, RETAINING (S/P) |
| 19 | 500824 | SCREW, 1/4-20 UNC HEX (S/P) |
| 20 | 27001225 | NUT, HEX JAM 1/4-20L (S/P) |
| 21 | 503613 | MOUNT, MOTOR (S/P) |

NDG5800AWW RESISTENCIA





NDG5800AWW RESISTENCIA

| | | |
|----|----------|----------------------------------------|
| 1 | 503605 | ASSEMBLY, HEATER DUCT (S/P) |
| 2 | 40113601 | ASSY, ROLLER BRKT |
| 3 | 503688 | SCREW (S/P) |
| 4 | 500122 | SHROUD, HEAT DUCT DESCONTINUADO |
| 5 | 51782 | SCREW, 6B-20X5/16 (S/P) |
| 6 | 40113801 | FUSE, THERMAL |
| 6 | 489P3 | THERMOSTAT, LIMIT |
| 7 | 37001303 | DUCT, COMBUSTION (S/P) |
| 8 | 503661 | SCREW, 10-16X.44 UNS (S/P) |
| 9 | 502614WP | BULKHEAD, REAR (S/P) |
| 10 | 37001132 | SEAL, CYLINDER |
| 11 | 37001042 | ASSEMBLY, CYLINDER ROLLER |
| 12 | 52549 | WASHER, 501 ID X3/4 ODX (S/P) |
| 13 | 23748 | RING, RETAINING (S/P) |