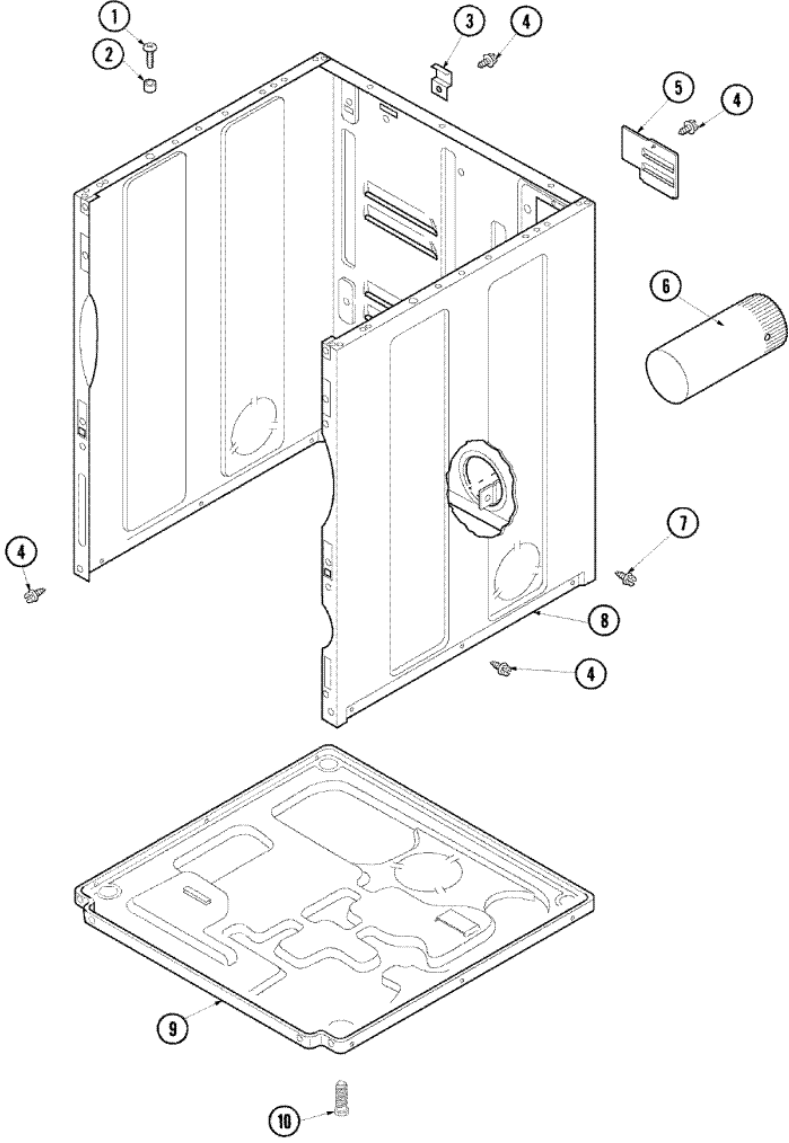


**NDG7800AWW GABINETE**

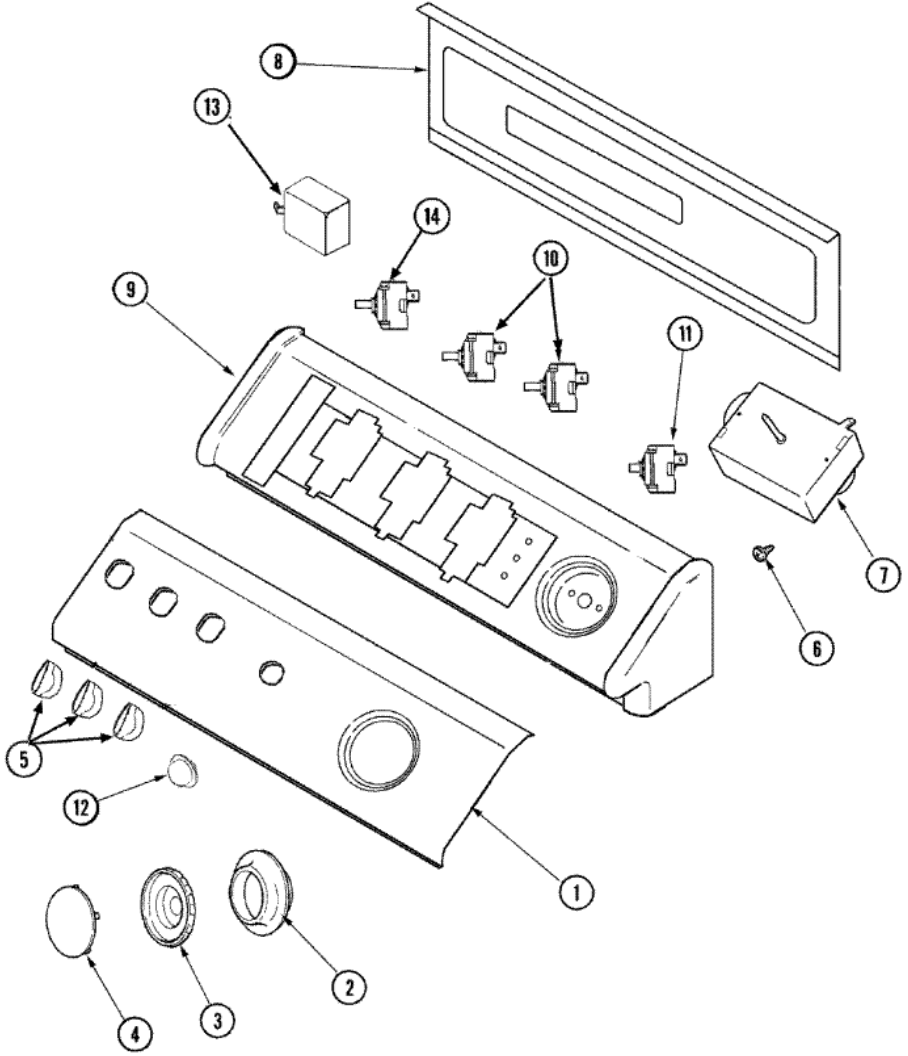




**NDG7800AWW GABINETE**

1	32671	SCREW, TAPPING <b>(S/P)</b>
2	505187	LOCATOR, PANEL <b>(S/P)</b>
3	500003	HINGE, TOP <b>(S/P)</b>
4	503661	SCREW, 10-16X.44 UNS <b>(S/P)</b>
5	500114	PANEL, ACCESS COVER <b>(S/P)</b>
6	505518	DUCT, EXHAUST <b>(S/P)</b>
7	503688	SCREW <b>(S/P)</b>
8	37001284	CABINET, DRYER & WASHER (WHT) <b>(S/P)</b>
9	500070	BASE, DRYER <b>(S/P)</b>
10	500101	LEG, LEVELING (PLASTIC)
11	33002494	CORD, POWER (AS WRAP) <b>(S/P)</b>

**NDG7800AWW TABLERO**

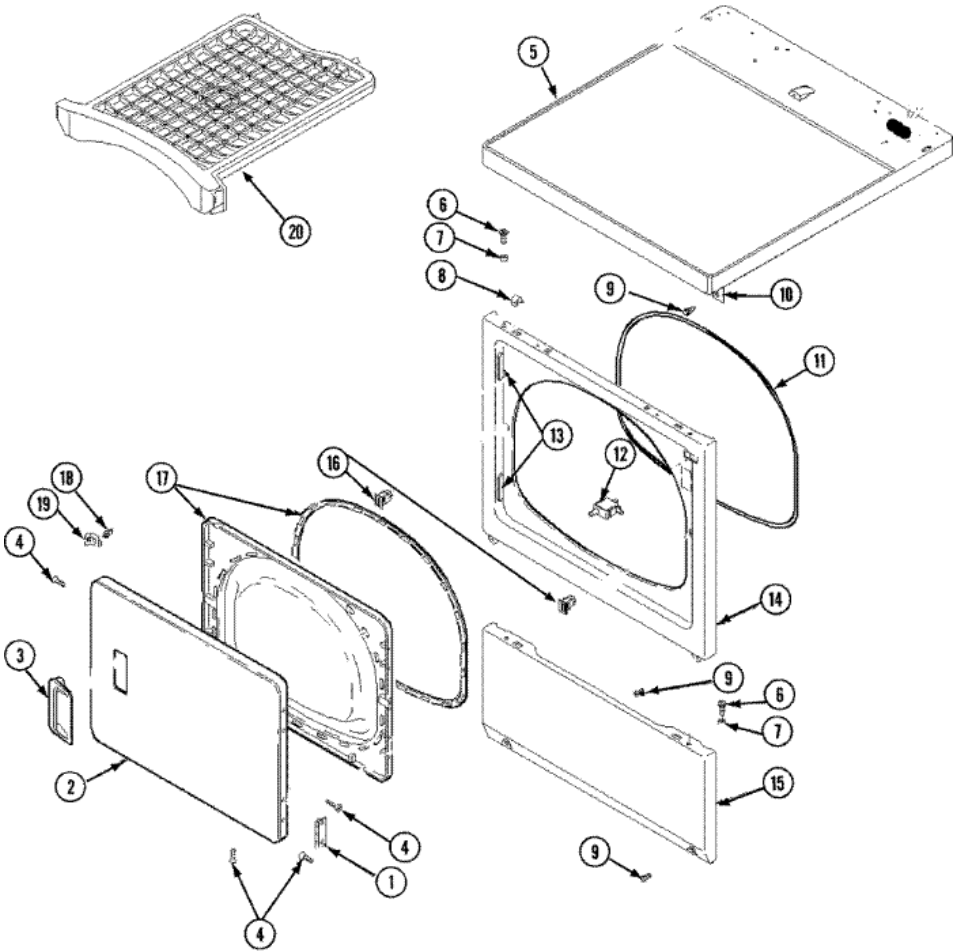




**NDG7800AWW TABLERO**

1	37001080	FACIA, GRAPHIC PANEL (S/P)
2	37001067	DIAL, TIMER (S/P)
3	37001068	KNOB, TIMER (GRAY) (S/P)
4	27001087	KNOB, CAP (WHT) (S/P)
5	27001091	KNOB, SELECTOR (BLUE-GRAY) (S/P)
6	37001031	SCREW, No.8-32X3/8`` HEX (S/P)
7	37001081	TIMER (7 CYCLE) (S/P)
8	37001072	PANEL, BACK (S/P)
9	27001085	CONSOLE (GRAY) (S/P)
10	22001794	SWITCH, ROTARY (2 POS) (S/P)
11	37001070	SWITCH, PUSH-TO-START (WHT) (S/P)
12	37001071	BUTTON, PUSH-TO-START (WHT) (S/P)
13	Y22002339	SCREW (S/P)
13	33001848	SIGNAL, END OF CYCLE (CHIME) (S/P)
14	33001640	SWITCH, TEMPERATURE (S/P)

**NDG7800AWW PUERTA**

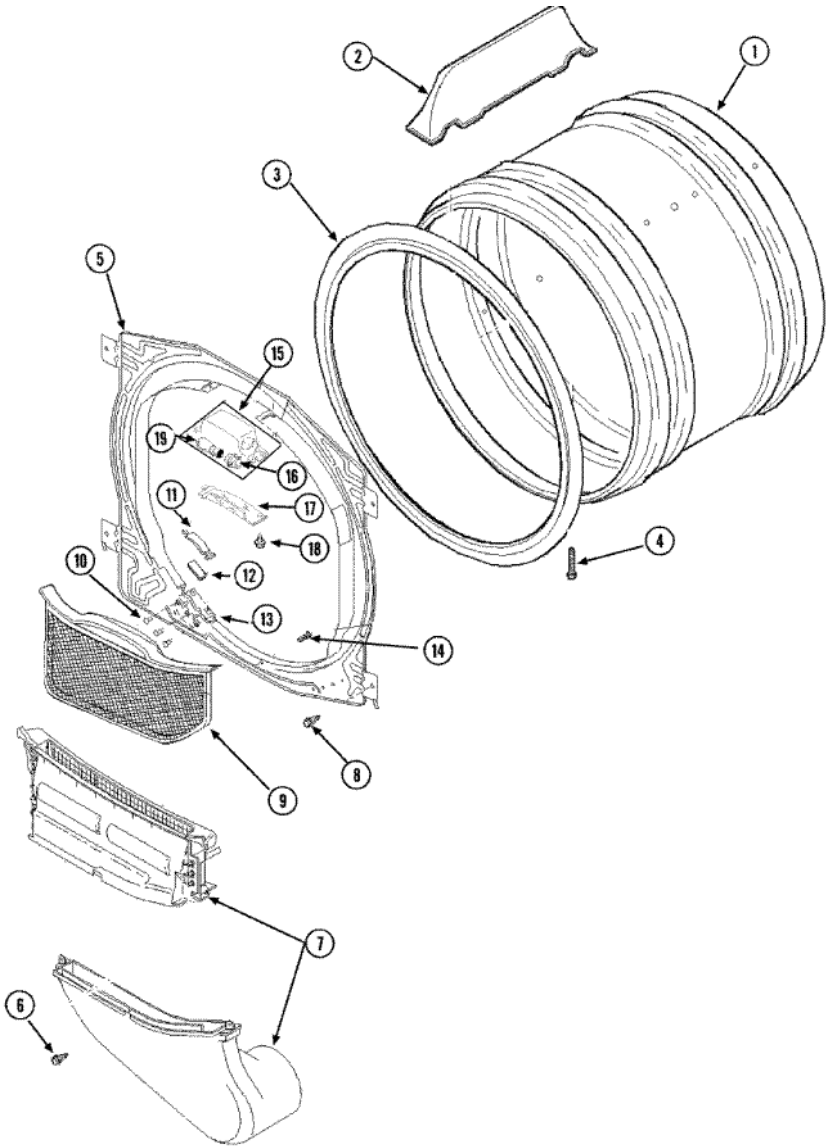




## NDG7800AWW PUERTA

1	Y503676	HINGE, DOOR & TOP (S/P)
2	37001029	DOOR, DRYER (WHT) (S/P)
3	37001073	HANDLE, DOOR (GRAY) (S/P)
4	37001030	SCREW, No.8AB-16X3/4 FH (S/P)
5	Y56128	PAD, BUMPER (S/P)
5	37001027	PANEL, TOP (WHT) (S/P)
6	32671	SCREW, TAPPING (S/P)
7	505187	LOCATOR, PANEL (S/P)
8	22001650	CLIP, SPRING
9	503661	SCREW, 10-16X.44 UNS (S/P)
10	40130801	BRACKET, TOP MOUNT (S/P)
11	504005	SEAL, FRONT PANEL (S/P)
12	504570	SWITCH, DOOR
13	503126	PLUG, HINGE HOLE (S/P)
14	503656WP	PANEL, FRONT (WHT) (S/P)
15	37001074	PANEL, ACCESS (GRAY) (S/P)
16	LA-1003	CATCH, DOOR
17	37001028	SEAL & LINER, ASSY(INNER DOOR) (S/P)
18	500039	STRIKE, DOOR (METAL) (S/P)
19	40116201	BRACKET, DOOR STRIKE (S/P)
20	504105	RACK, DRYING

**NDG7800AWW TAMBOR**



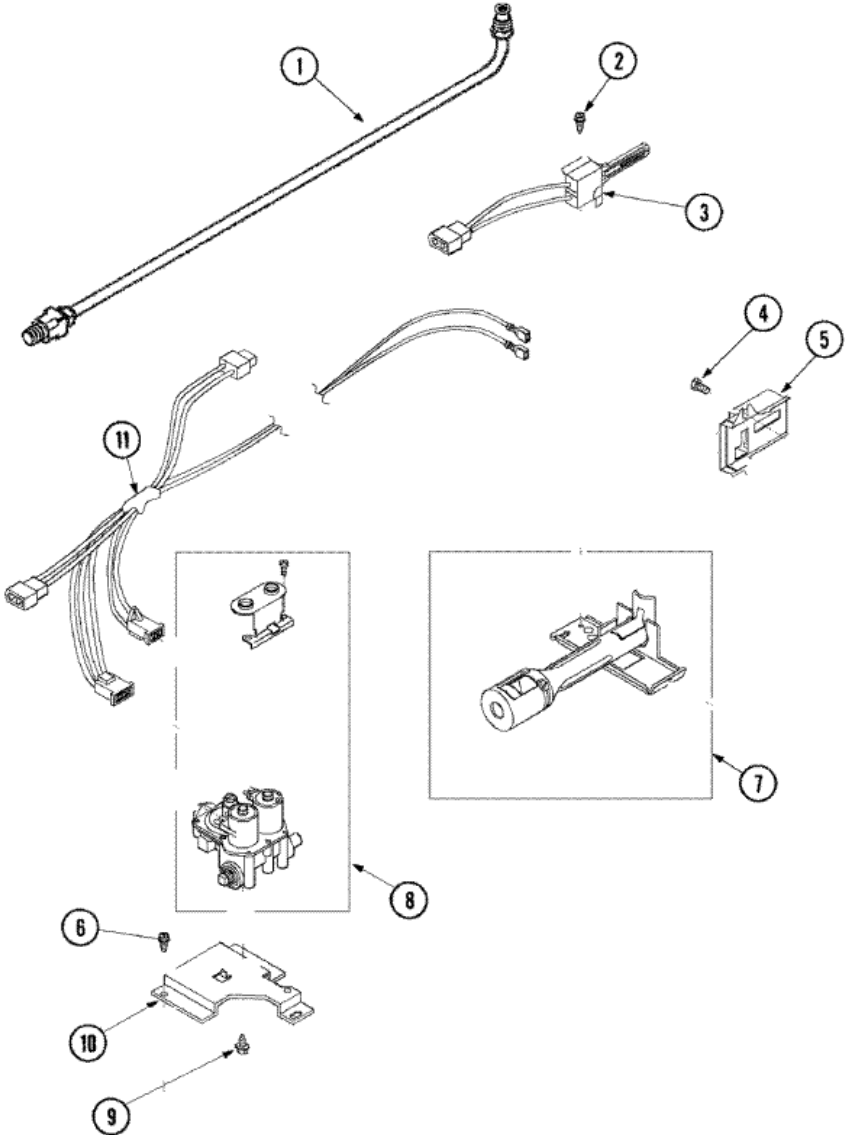


**NDG7800AWW TAMBOR**

1	37001285	<b>DESCONTINUADO</b>
2	12002559	BAFFLES (GRAY) <b>(S/P)</b>
3	37001132	SEAL, CYLINDER
4	Y62588	SCREW, 10BT-12 X 1 TAP <b>(S/P)</b>
5	503616WP	ASSEMBLY, BULKHEAD-FRONT <b>(S/P)</b>
6	501285	SCREW, No.12 X 9/16 <b>(S/P)</b>
7	40124501	ASSY, UPPR/LWR AIR DUCT
8	503688	SCREW <b>(S/P)</b>
9	37001086	FILTER, LINT (GRAY) <b>(S/P)</b>
10	37001031	SCREW, No.8-32X3/8`` HEX <b>(S/P)</b>
11	37001298	GLIDE, CYLINDER(TAN)
12	500121	PAD, FELT-COIN <b>(S/P)</b>
13	37001036	BRACKET, CYLINDER GLIDE <b>(S/P)</b>
14	500226	SCREW, 8B-16X5/8 TAP <b>(S/P)</b>
15	Y504452	LIGHT ASSEMBLY <b>(S/P)</b>
16	504458	HOLDER, LAMP <b>(S/P)</b>
17	40094301	LENS, LIGHT <b>(S/P)</b>
18	505295	SCREW, No.8AB-16X3/4 PH <b>(S/P)</b>
19	67001316	LIGHT, CYLINDER



**NDG7800AWW QUEMADOR**

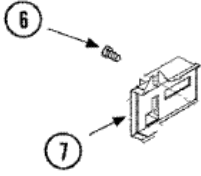
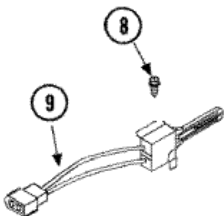
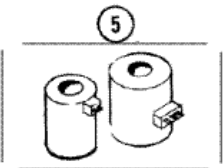
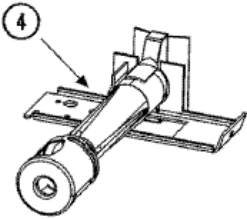
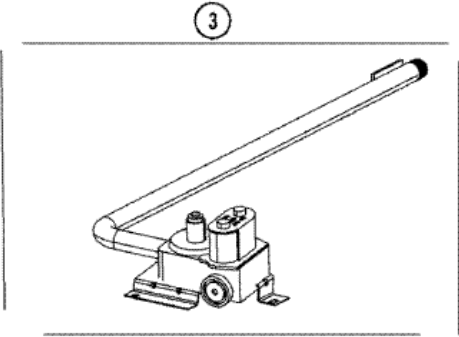
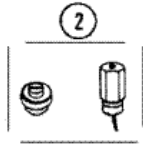
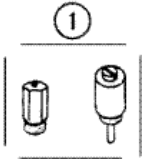




**NDG7800AWW QUEMADOR**

1	37001127	PIPE, LEAD-IN <b>(S/P)</b>
2	51782	SCREW, 6B-20X5/16 <b>(S/P)</b>
3	37001308	IGNITER & BRACKET ASSEMBLY
4	23222	SCREW, 8B-18 X 1/4 HE <b>(S/P)</b>
5	338906	SENSOR, FLAME
6	503688	SCREW <b>(S/P)</b>
7	56234	ASSEMBLY, BURNER
8	37001002	ASSEMBLY, GAS VALVE <b>(S/P)</b>
8	279834	COIL KIT, GAS DRYER VALVE (2)
9	56124	SCREW, 8T-32X3/8 HE <b>(S/P)</b>
10	500821	BRACKET, MOUNTING <b>(S/P)</b>
11	37001007	HARNESS, WIRE (GAS VALVE) <b>(S/P)</b>
12	650P3	LP TO NATURAL CONVERSION KIT <b>(S/P)</b>
12	649P3	NATURAL TO LP CONVERSION KIT <b>(S/P)</b>

**NDG7800AWW VALVULA**

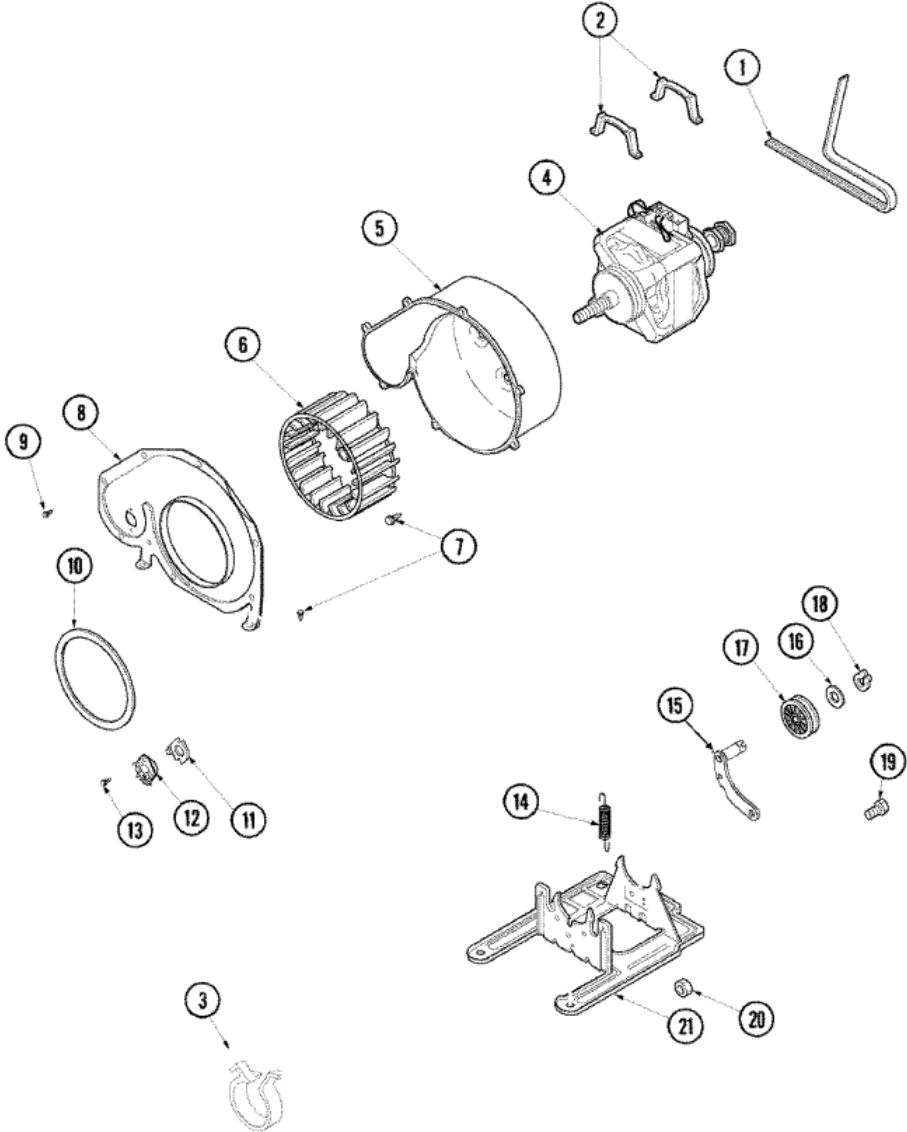




## NDG7800AWW VALVULA

1	649P3	NATURAL TO LP CONVERSION KIT <b>(S/P)</b>
2	650P3	LP TO NATURAL CONVERSION KIT <b>(S/P)</b>
3	37001127	VALVE & PIPE ASSY <b>(S/P)</b>
4	56234	ASSEMBLY, BURNER
5	279834	COIL KIT, GAS DRYER VALVE (2)
6	23222	SCREW, 8B-18 X 1/4 HE <b>(S/P)</b>
7	338906	SENSOR, FLAME
8	51782	SCREW, 6B-20X5/16 <b>(S/P)</b>
9	37001308	IGNITER & BRACKET ASSEMBLY

**NDG7800AWW MOTOR**

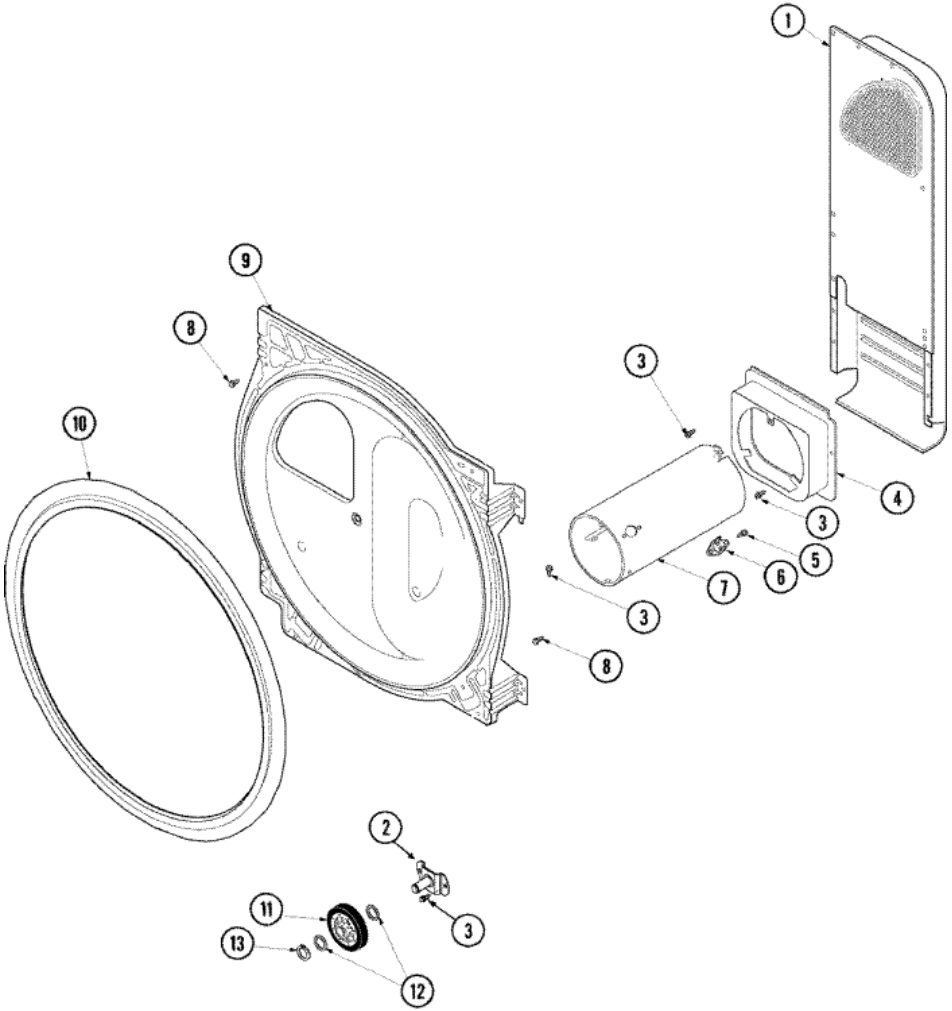




## NDG7800AWW MOTOR

1	40111201	BELT, CYLINDER
2	343481	CLAMP, MOTOR MOUNT
3	504034	CLIP, WIRE (S/P)
4	2200376	MOTOR
5	511969P	HOUSING, BLOWER
6	56000	ASSEMBLY, BLOWER FAN
7	503661	SCREW, 10-16X.44 UNS (S/P)
8	500078	<b>DESCONTINUADO</b>
9	31260	SCREW, No.8 X 3/8 IND H (S/P)
10	37001119	SEAL, BLOWER HOUSING (S/P)
11	61623	HEATER, THERMOSTAT
12	503979	THERMOSTAT (CYCLING PK/WHT) (S/P)
12	37001136	THERMOSTAT, CYCLING 146F (S/P)
13	31260	SCREW, No.8 X 3/8 IND H (S/P)
14	56076	SPRING, IDLER (S/P)
15	37001144	ASSY, IDLER LEVER (S/P)
16	52549	WASHER, 501 ID X3/4 ODX (S/P)
17	510142P	ASSEMBLY, WHEEL & BEARING
18	23748	RING, RETAINING (S/P)
19	500824	SCREW, 1/4-20 UNC HEX (S/P)
20	27001225	NUT, HEX JAM 1/4-20L (S/P)
21	503613	MOUNT, MOTOR (S/P)

**NDG7800AWW RESISTENCIA**





## NDG7800AWW RESISTENCIA

1	503605	ASSEMBLY, HEATER DUCT (S/P)
2	40113601	ASSY, ROLLER BRKT
3	503688	SCREW (S/P)
4	500122	<b>DESCONTINUADO</b>
5	51782	SCREW, 6B-20X5/16 (S/P)
6	40113801	FUSE, THERMAL
6	489P3	THERMOSTAT, LIMIT
7	37001303	DUCT, COMBUSTION (S/P)
8	503661	SCREW, 10-16X.44 UNS (S/P)
9	502614WP	BULKHEAD, REAR (S/P)
10	37001132	SEAL, CYLINDER
11	37001042	ASSEMBLY, CYLINDER ROLLER
12	52549	WASHER, 501 ID X3/4 ODX (S/P)
13	23748	RING, RETAINING (S/P)