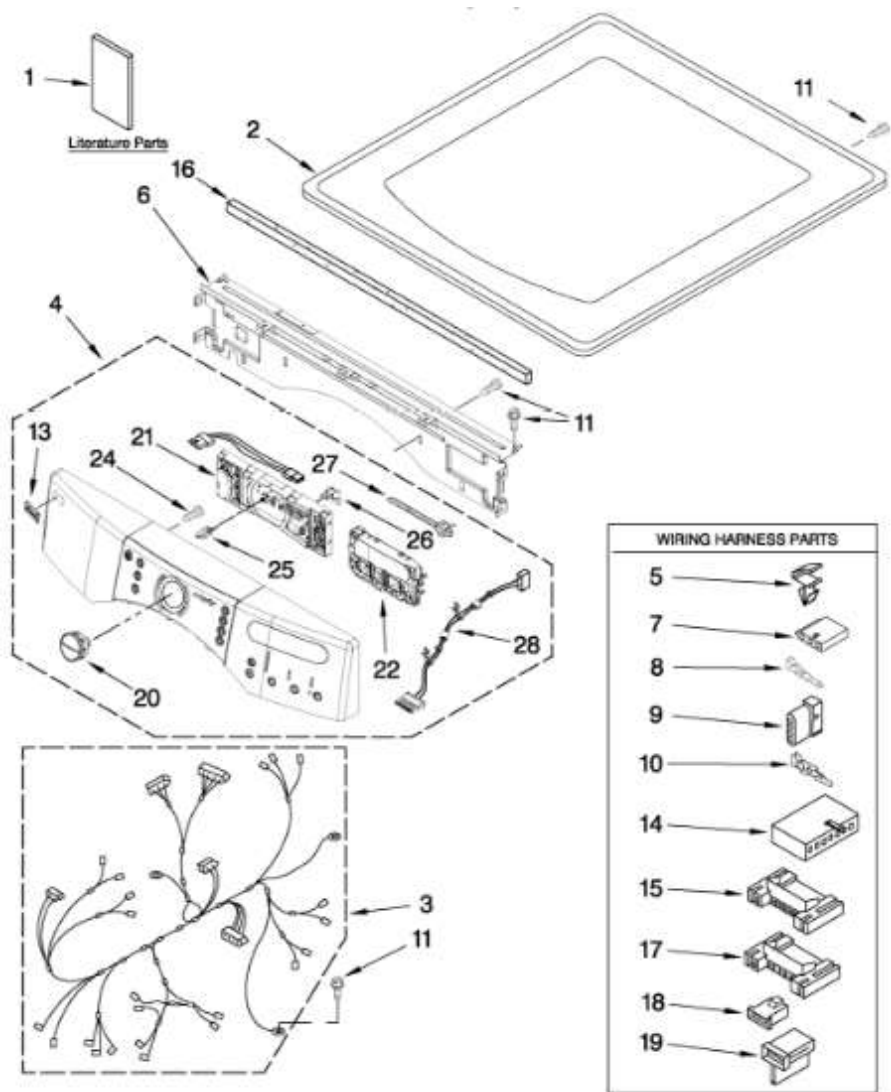


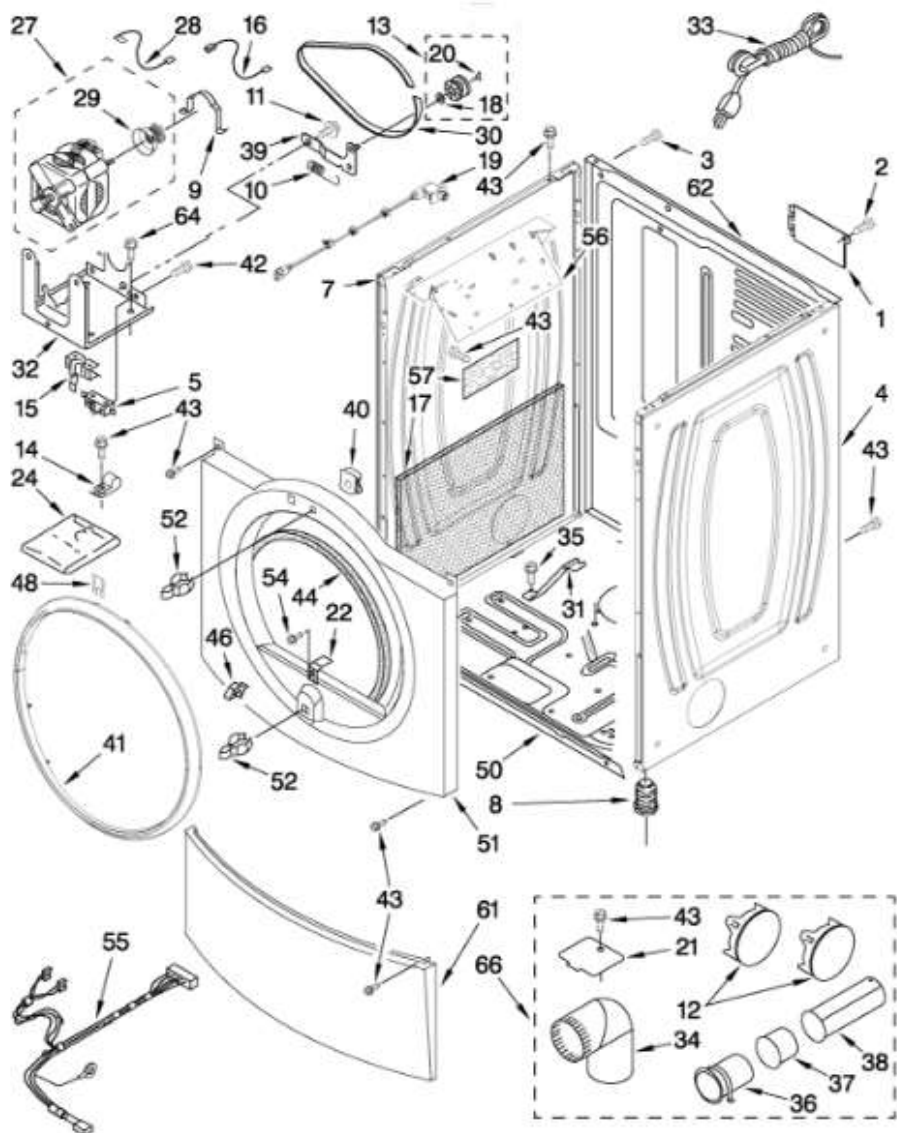
NGD7500VW0



NGD7500VW0

| | | |
|----|-------------|--|
| 1 | W10216187 | USE & CARE GUIDE |
| 1 | W10216188 | Guide,Quick Start - NLA |
| 1 | W10216189 | Tech Sheet |
| 2 | WPW10117263 | Top |
| 3 | W10111011 | HARNESS,MAIN |
| 4 | WPW10216291 | PANEL,CONSOLE (INCLUDES BUTTONS & CONTROL BOARD & ILLUS. 13,20,21,22,23,24,25,26,28) |
| 5 | WP3394427 | CLIP,HARNESS |
| 6 | W10215656 | BRACKET,CONSOLE |
| 7 | 353424 | CONNECTOR,SENSOR |
| 8 | WP94614 | TERMINAL,FEMALE |
| 9 | 3936144 | CONNECTOR,3-CIRCUIT |
| 10 | 94613 | TERMINAL,MALE |
| 11 | WP488729 | SCREW |
| 13 | W10216285 | BADGE |
| 14 | 3936150 | CIRCUIT CONNECTOR |
| 15 | 3395683 | CONNECTOR,HOUSING |
| 16 | W10112267 | SEAL,FOAM |
| 17 | 2203186 | CONNECTOR,5-CIRCUIT |
| 18 | WP3403498 | CONNECTOR |
| 19 | WP3403499 | CONNECTOR POSITION GAS VALVE |
| 20 | W10216289 | KNOB,ASSEMBLY |
| 21 | WPW10023340 | USER-INTERFACE (CENTER) (INCLUDES: ITEM. 25) |
| 22 | W10339923 | User-Interface Right |
| 23 | W10071240 | Harness,Communication |
| 24 | W10006580 | SCREW |
| 25 | WPW10023220 | Adapter,Encoder Wheel |
| 26 | W10112268 | CLIP-HARNESS |
| 27 | WP3391018 | TIE,CABLE |
| 28 | W10111010 | Power Cable User Interface - NLA |

NGD7500VW0

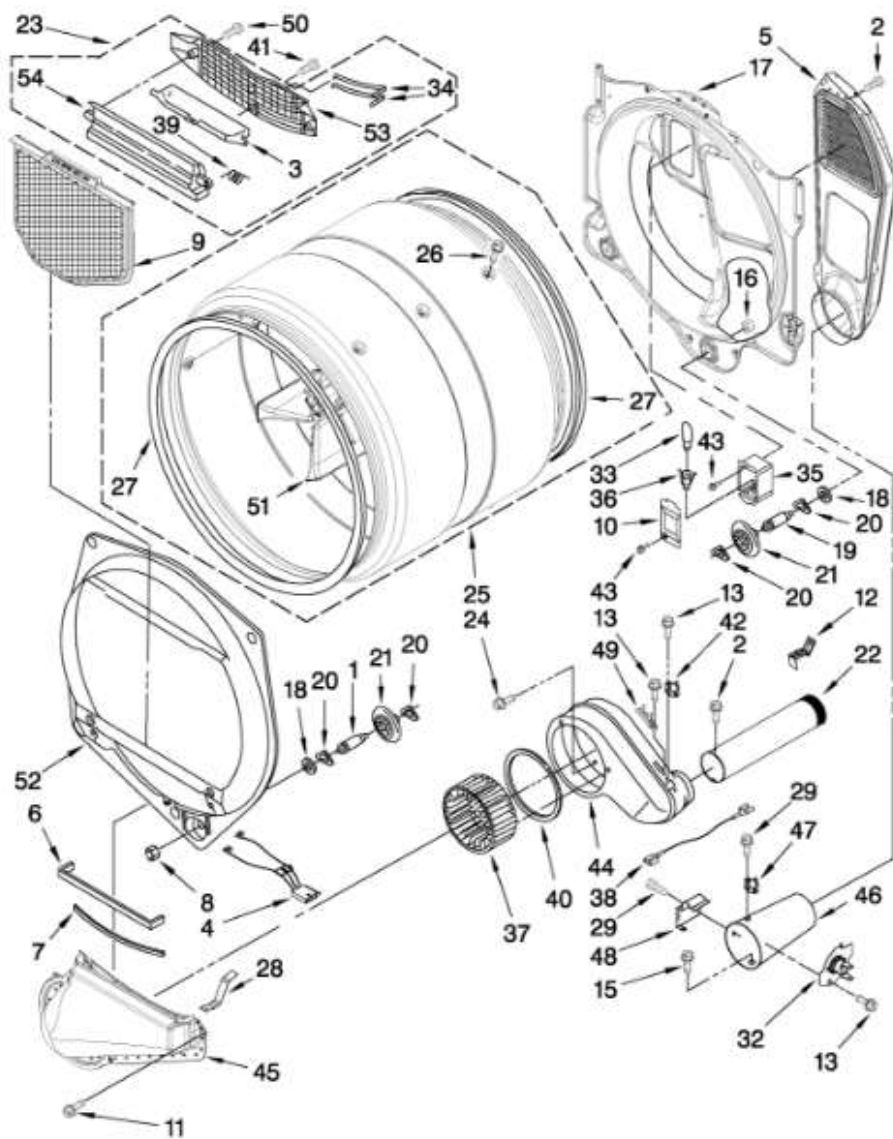


NGD7500VW0

| | | |
|----|-------------|--|
| 1 | 8317340 | COVER,TERMINAL BLOCK |
| 2 | 3390814 | SCREW |
| 3 | 8533974 | SCREW |
| 4 | WPW10468495 | PANEL,SIDE (R.H.) (WHITE) |
| 5 | W10167612 | WIRE,BELT SWITCH |
| 7 | WPW10468495 | PANEL,SIDE (L.H.) (WHITE) |
| 8 | 49621 | FOOT,OPTIONAL (EXTENDED LENGTH PACKAGE OF 2) (NOT INCLUDED) |
| 8 | 49621 | FOOT,DRYER |
| 9 | WPW10121316 | CLAMP,MOTOR MOUNT |
| 10 | WPW10446781 | SPRING,IDLER |
| 11 | WP3389420 | SCREW |
| 12 | 49252 | PLUG,MULTIVENT (WHITE) |
| 13 | 279640 | ASSEMBLY,PULLEY |
| 14 | 3978776 | BRACKET,GAS PIPE |
| 15 | WP8066120 | LEVER SWITCH |
| 16 | 3394081 | Wire,Belt Switch |
| 17 | W10123956 | PANEL,DAMPENING |
| 18 | WPW10121334 | WASHER |
| 19 | WPW10318609 | ASSEMBLY,DOOR SWITCH |
| 20 | WPW10512946 | WASHER,TRI RING |
| 21 | WPW10354249 | PLATE,COVER |
| 22 | 8529053 | RAMP,DOOR |
| 24 | 8541503 | ACCESSORY PARTS,KIT,STACK |
| 27 | 279787 | MOTOR ASSEMBLY (60 HZ.) |
| 28 | 3398948 | WIRE,JUMPER (BROKEN BELT SWITCH) |
| 29 | W10837625 | PULLEY,MOTOR |
| 30 | 661570V | BELT,DRIVE |
| 31 | 8529757 | BRACKET,BURNER |
| 32 | WP3387118 | BRACKET,MOTOR |
| 33 | WP3401402 | CORD,POWER |
| 34 | 49026 | ELBOW |
| 35 | WP693995 | SCREW |
| 36 | WP8563747 | PIPE,EXHAUST (MEDIUM) |
| 37 | 8563750 | PIPE,EXHAUST (SHORT) |

| | | |
|----|-------------|--|
| 38 | WP8563749 | PIPE,EXHAUST (LONG) |
| 39 | W10837240 | BRACKET,IDLER |
| 40 | 62825 | CLIP,S-TYPE |
| 41 | WPW10181832 | ASSEMBLY,TRIM-RING (INCLUDE,ITEM. 48) |
| 42 | WP98129 | SCREW |
| 43 | WP488729 | SCREW |
| 44 | WP3387242 | SEAL,FRONT PANEL |
| 46 | 8519459 | CLIP,TOE PANEL |
| 48 | WPW10112671 | Clip,Trim-Metal |
| 50 | WPW10239098 | BASE,CABINET |
| 51 | WPW10180423 | Front Panel |
| 52 | 279570 | STRIKE,DOOR |
| 54 | WP308685 | SCREW |
| 55 | W10181464 | HARNESS,DIGITAL INTERFACE |
| 56 | WP8563727 | BRACKET,CONTROL |
| 57 | WPW10174745 | CONTROL BOARD |
| 61 | WPW10246269 | Panel,Toe (White) |
| 62 | W10180481 | PANEL,REAR |
| 64 | WP681414 | SCREW |
| 66 | W10470674 | DRYER EXHAUST KIT (FOR SIDE & BOTTOM VENTING), (WHITE) |

NGD7500VW0



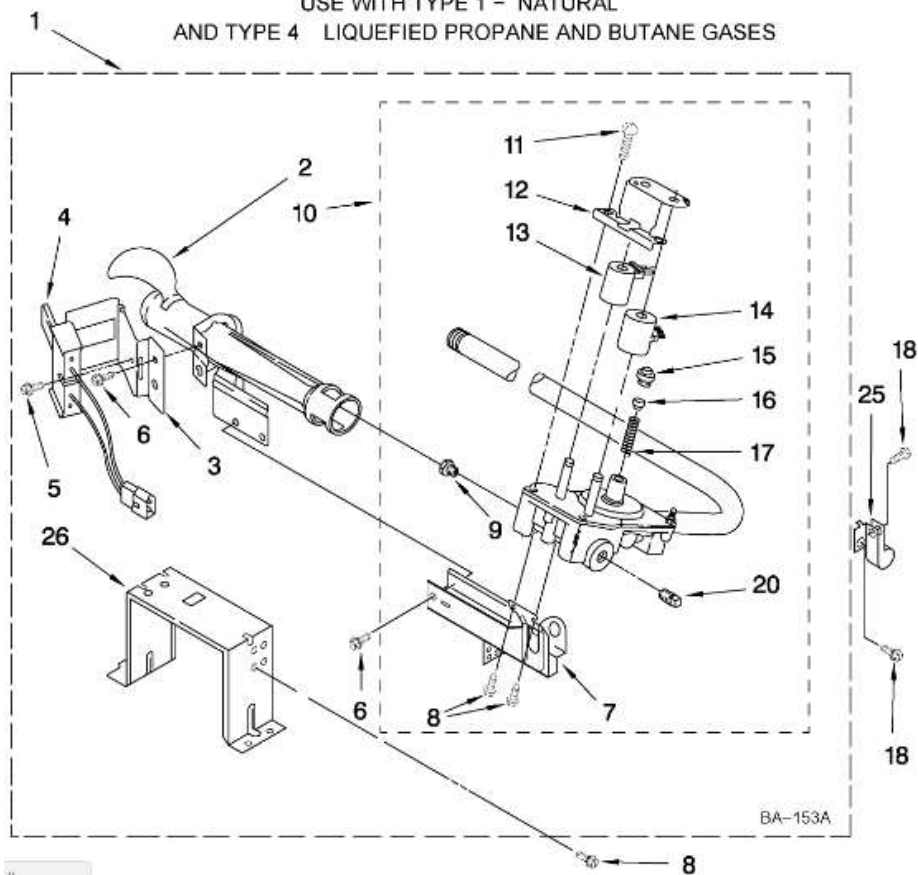
NGD7500VW0

| | | |
|----|-------------|--|
| 1 | WPW10359271 | SHAFT,RH THREAD |
| 2 | WP488729 | SCREW |
| 3 | WP8563758 | DOOR,LINT SCREEN |
| 4 | WP3406653 | HARNESS,SENSOR |
| 5 | WP3394346 | ASSEMBLY,AIR DUCT |
| 6 | WP697813 | SEAL,OUTLET HOUSING |
| 7 | WP697813 | SEAL,DRUM FRONT |
| 8 | WPW10080210 | NUT,HEX |
| 9 | W10120998 | SCREEN,LINT |
| 10 | WP8532165 | LENS,DRUM LIGHT |
| 11 | WP487240 | SCREW |
| 12 | 8572105 | CLIP,EXHAUST |
| 13 | 8533971 | SCREW |
| 15 | WP693995 | SCREW |
| 16 | WPW10080190 | NUT,HEX (LEFT HAND THREAD) |
| 17 | WPW10080170 | BULKHEAD,REAR |
| 18 | WPW10080960 | WASHER |
| 19 | WPW10359272 | SHAFT,LH THREAD |
| 20 | WPW10512946 | WASHER,TRI RING |
| 21 | WPW10314173 | ROLLER,SUPPORT |
| 22 | 279936 | EXHAUST PIPE |
| 23 | W10253352 | OUTLET GRILL HOUSING ASSEMBLY (INCLUDES ILLUS. 3,34,39,53,54) |
| 24 | WP489463 | SCREW |
| 25 | W10545924 | COMPLETE DRUM ASSEMBLY |
| 26 | W10853898 | SCREW |
| 27 | 280114 | SEAL,DRUM FRONT |
| 28 | WP8066208 | CLIP,SPRING |
| 29 | WP90767 | SCREW |
| 32 | WP8573713 | CUT-OFF,THERMAL |
| 33 | WP22002263 | BULB,LIGHT |
| 34 | WP3387223 | SENSOR,ELECTRODE |
| 35 | 8578825 | BRACKET,DRUM LIGHT |
| 36 | WPW10136369 | SOCKET,LIGHT |
| 37 | WP697772 | WHEEL,BLOWER |
| 38 | 3401710 | JUMPER,TCO HIGH LIMIT |
| 39 | WP3394986 | SPRING,LINT SCREEN DOOR |

| | | |
|----|-------------|-------------------------|
| 40 | WP697770 | SEAL,PLATE COVER |
| 41 | WP488729 | SCREW |
| 42 | WP8577274 | THERMISTOR |
| 43 | WP488729 | SCREW |
| 44 | W10888146 | HOUSING,BLOWER |
| 45 | WPW10128606 | ASSEMBLY,LINT DUCT |
| 46 | WP8573824 | FUNNEL,BURNER |
| 47 | WP3391912 | THERMOSTAT,HI LIMIT |
| 48 | WP338906 | SENSOR,RADIANT |
| 49 | WP3392519 | FUSE,THERMAL (91C) |
| 50 | WP3387230 | SCREW |
| 51 | WPW10113136 | BAFFLE,DRUM |
| 52 | W10136455 | BULKHEAD,FRONT |
| 53 | W11086603 | GRILLE,OUTLET |
| 54 | W10685669 | ASSEMBLY,OUTLET HOUSING |

NGD7500VW0

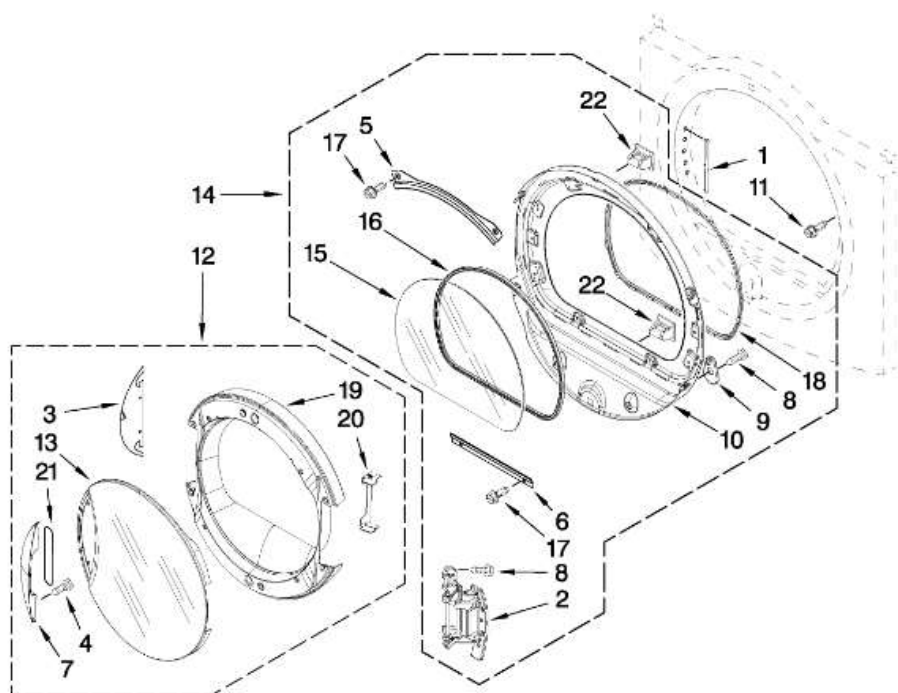
USE WITH TYPE 1 - NATURAL
AND TYPE 4 LIQUEFIED PROPANE AND BUTANE GASES



NGD7500VW0

| | | |
|----|-------------|---|
| 1 | 280119 | BURNER ASSEMBLY 60 HZ. (TYPE 1)(WHITE RODGERS) |
| 2 | WP693140 | TUBE,BURNER |
| 3 | WP694298 | BRACKET,IGNITOR |
| 4 | 279311 | IGNITOR |
| 5 | 3393909 | SCREW |
| 6 | WP681414 | SCREW |
| 7 | 3389871 | BASE,BURNER |
| 8 | 3387057 | SCREW |
| 9 | WP15418 | ORIFICE,BURNER (TYPE 1 (NATURAL)) |
| 9 | 15422 | ORIFICE,BURNER (TYPE 4 (BUTANE)) |
| 9 | WP229742 | ORIFICE,BURNER (TYPE 4 (PROPANE)) |
| 10 | WPW10118347 | Valve,Gas 60 Hz. (Complete) (Includes Pipe & Illus. 7). |
| 11 | 694421 | SCREW,COIL |
| 12 | 694538 | BRACKET,COIL |
| 13 | 279834 | COIL,60 HZ. (2 TERMINAL) (MAIN) |
| 14 | 279834 | COIL,60 HZ (SPLIT) (3 TERMINAL) (PILOT POSITION) |
| 15 | WP694424 | LEAK,LIMITER |
| 16 | WP694423 | SCREW,REGULATOR ADJUSTMENT |
| 17 | WP694422 | SPRING,REGULATOR |
| 18 | WP488729 | SCREW |
| 20 | 239822 | PLUG,PIPE |
| 25 | 3387561 | CLAMP,PIPE |
| 26 | 3389889 | BRACKET,SUPPORT |
| NI | W10606694A | CONVERSION KIT (TYPE 1 TO TYPE 4 LPG) |

NGD7500VW0



NGD7500VW0

| | | |
|----|-------------|---------------------------------|
| 1 | W10085210 | HINGE,SPRING ASSEMBLY (WHITE) |
| 2 | WPW10310366 | ASSEMBLY,DOOR HINGE |
| 3 | W10180095 | Cover,Door Hinge |
| 4 | W10850046 | SCREW |
| 5 | 8519356 | RETAINER,WINDOW (UPPER) |
| 6 | 8519354 | RETAINER,WINDOW |
| 7 | 8577305 | HANDLE,DOOR (INCLUDE,ITEM. 15) |
| 8 | WPW10159996 | SCREW |
| 9 | W10048910 | SCREW,PLUG |
| 10 | WP8578229 | DOOR,INNER (WHITE) |
| 11 | WP355515 | SCREW |
| 12 | W10180090 | Door,Outer Assembly - NLA |
| 13 | WPW10180093 | Assembly,Screen & Mass |
| 14 | WP8577819 | DOOR ASSEMBLY (INNER) |
| 15 | WP8566254 | GLASS-WINDOW |
| 16 | 8579662 | SEAL,WINDOW |
| 17 | 3373329D | SCREW |
| 18 | WPW10139457 | SEAL,DOOR |
| 19 | W10180094 | Door-Intermediate |
| 20 | W10180096 | Door-Shield - NLA |
| 21 | 8580117 | Pad-Handle - NLA |
| 22 | 279570 | ASSEMBLY,DOOR CATCH |

***NOTA: SI EL CODIGO DEL ARTICULO QUE NECESITA NO APARECE EN NUESTRA PAGINA WEB, ES PROBABLE QUE SEA SOBRE PEDIDO O ESTE OBSOLETO.**

FAVOR DE COMUNICARSE A NUESTRAS OFICINAS PARA MAYOR INFORMACION

TELEFONOS: 83377949, 83377999 Y 83373889.