

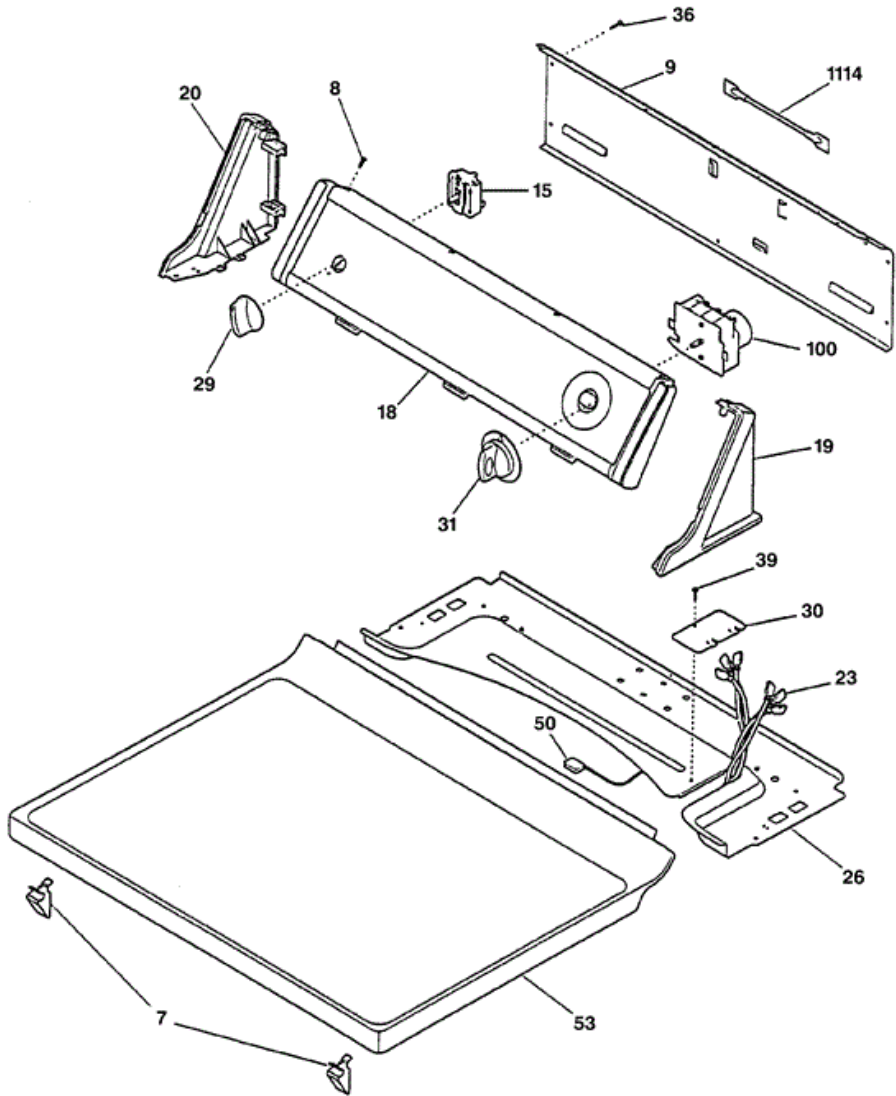




## NVL333EY0WW GABINETE

51	WE04X0716	BLOCK-TERMINAL
221	WH01X10004	SCREW, 8-18AB X 0.375
1201	WE25X10001	KIT REAR BEARING
1204	WE13X10010	BRACKET CORD
1205	WE01X1152	BALL
1206	WE02X0358	CLIP BALL
1207	WE04X10026	INSULATOR, HEATER HSNQ
1209	WE20X10009	PANEL-ACCESS
1210	WE11X10002	HEAT SHIELD
1211	WE20X10005	COVER TERM BLOCK
1212	WE03X0070	BEARING-SHAFT
1213	WE13X10009	BRACKET BEARING
1214	WE02X10005	SCREW, 10-16B X 1.375
1215	WE14X10015	HEATER-HOUSING ASS'Y
1217	WE14X0202	BAFFLE-HEATER
1218	WE02X10006	SCREW 10-16 X.375
1223	WE21X10003	DRUM ASM.
1229	WE02X10007	SCREW, 10-14 X 1.00
1230	WE21X0069	VANE
1232	WE13X10011	SHAFT SUPPORT
1233	WE04X10002	THERMOSTAT-SAFETY
1235	WE02X10008	SCREW, 6-20X.19
1236	WE04X0774	THERMAL LIMITER
1239	WE02X10011	SCREW, 8-18 X .375
1240	WE02X10012	FOOT-CABINET
1243	WE02X10020	SCREW, 8-18 AB X.44
1245	WE01X10035	PIN-LOCATING
1250	WE04X10027	BLOCK TERM HEATER HSG
1264	WE02X10013	CLIP CABINET BTM
1319	WE02X10017	SCREW 10-16 X .75

**NVL333EY0WW TABLERO**

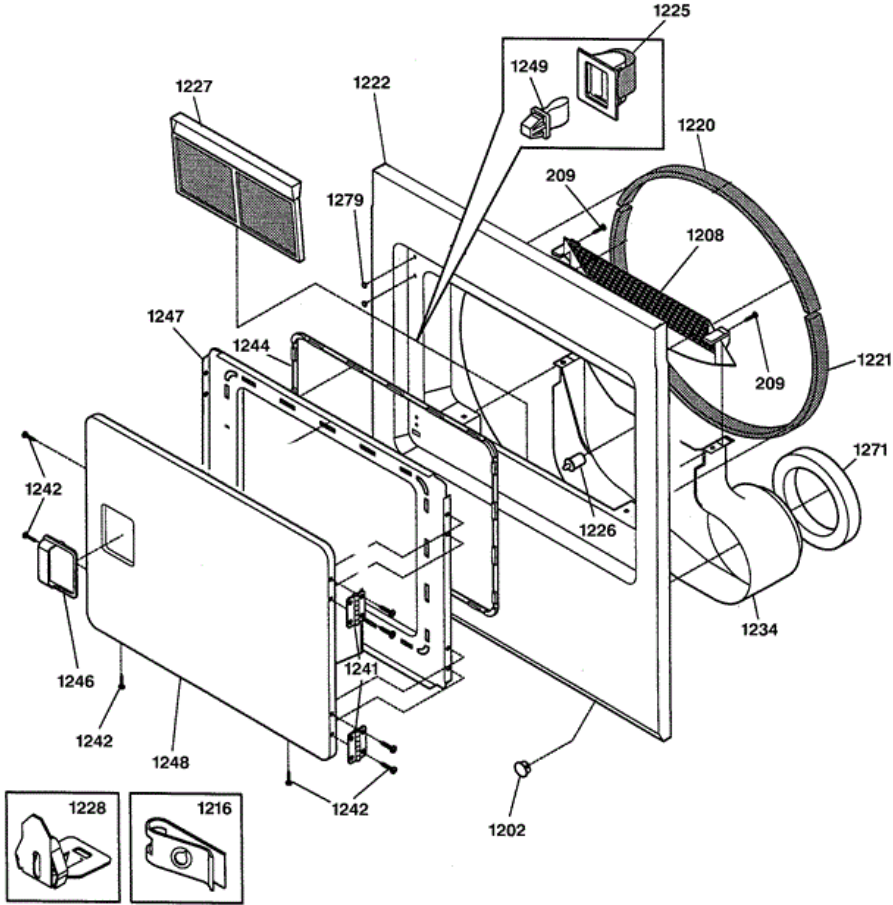




## NVL333EY0WW TABLERO

7	WE02X10009	CLIP-TOP FRONT/PANEL
8	WE02X10021	SCR 8-18 X .50 FLT HD/SN
9	WE20X10010	PANEL BACK
15	WE04X10033	SWITCH-START
18	WE19X10031	SWITCH TRIM
18	WE19X10032	SWITCH TRIM
18	WE19X10033	SWITCH TRIM
19	WE19X10020	END CAP R.H. WH
19	WE19X10026	END CAP R.H. AD
20	WE19X10022	END CAP L.H. WH
20	WE19X10027	END CAP L.H. - AD
23	WE08X10007	HARNESS-MAIN
23	WE08X10011	HARNESS-MAIN
26	WE19X10023	CONSOLE BOTTOM
29	WE01X10045	KNOB ROTARY AD
29	WE01X10047	KNOB ROTARY WH
30	WE01X10034	COVER PLATE
31	WE01X10046	KNOB TIMER AD
31	WE01X10048	KNOB TIMER WH
36	WH02X10007	SCW #8 PAN HD 10-10BX.50
39	WH02X10013	SCREW, 8-18 X 1/2
50	WE08X10006	GROUND WIRE
53	WE20X10011	PANEL TOP WH
53	WE20X10013	PANEL TOP AD
100	WE04X10042	TIMER
100	WE04X10043	TIMER
1114	WE04X0744	RESISTOR,3.0K
1114	WE04X0752	RESISTOR-POWER, 4.4K

**NVL333EY0WW PUERTA**

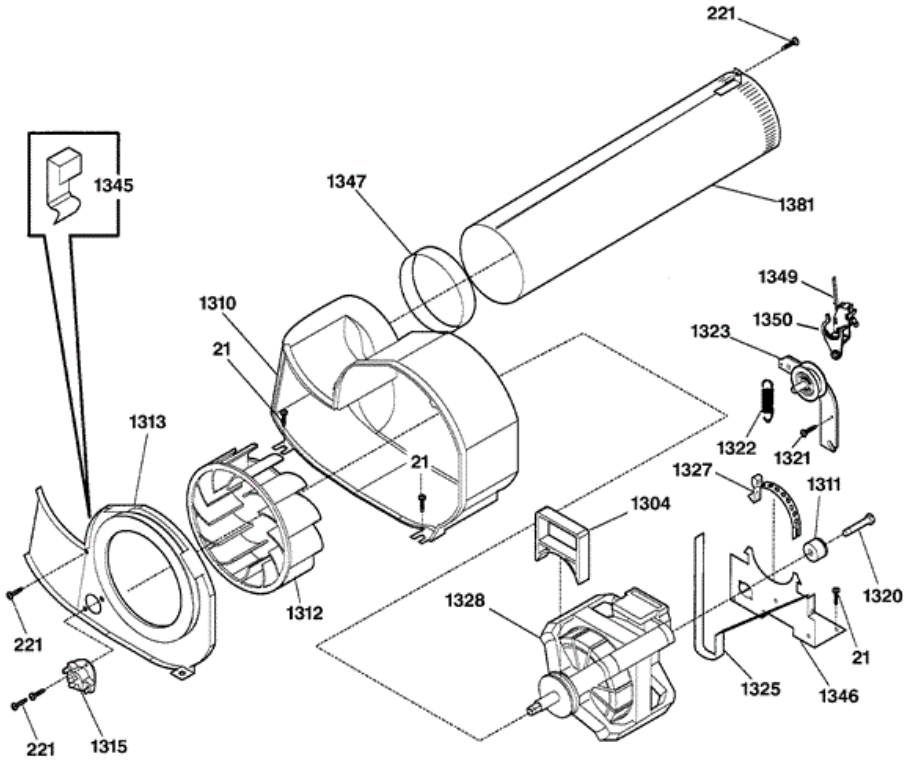




## NVL333EY0WW PUERTA

209	WH02X10009	SCREW-LOCK, 10-16 X .500
1202	WE01X10010	PLUG WH
1202	WE01X10040	PLUG DOME AD
1208	WE18X10001	COVER LINT TRAP
1216	WE02X10010	CLIP-WIRING
1220	WE03X0073	GLIDE-DRUM
1221	WE09X0105	SEAL BASKET LOWER
1222	WE20X10012	PANEL FRONT WH
1222	WE20X10014	PANEL FRONT AD
1225	WE01X10023	CATCH DOOR
1226	WE04X10034	SWITCH-DOOR W/O LITE
1227	WE18X10002	LINT TRAP
1228	WE02X0361	CLIP-GUIDE
1234	WE14X10005	DUCT AIR
1241	WE01X10012	HINGE DOOR
1242	WH02X10038	SCREW, 8-18 AB X .44
1244	WE09X0107	GASKET DOOR
1246	WE01X10013	HANDLE-DOOR WH
1246	WE01X10041	DOOR HANDLE AD
1247	WE10X10008	PANEL-INNER DOOR
1247	WE10X10010	DOOR INNER AD
1248	WE10X10009	DOOR-OUTER WH
1248	WE10X10011	DOOR OUTER AD
1249	WE01X1158	STRIKE DOOR
1271	WE09X10002	SEAL AIR DUCT
1279	WE01X10011	PLUG WH
1279	WE01X10042	PLUG AD

**NVL333EY0WW MOTOR**





## NVL333EY0WW MOTOR

21	WR02X9494	SCREW
221	WH01X10004	SCREW, 8-18AB X 0.375
1304	WE01X10016	LOCK FAN HOUSING
1310	WE14X10008	FAN HOUSING
1311	WE01X10029	SPACER IDLER
1312	WE16X10001	BLOWER WHEEL
1313	WE14X10009	FAN COVER
1315	WE04X10028	THERMOSTAT-CONTROL
1315	WE04X10044	THERMOSTAT-CONTROL
1320	WE02X10014	SCREW HX HD 1/4-20TX1.25
1321	WE02X10022	SCREW-STOP
1322	WE01X10027	SPRING IDLER
1323	WE01X10037	IDLER BRKT & PULLEY ASM.
1325	WE12X10001	BELT-DRYER
1327	WE01X10003	CLAMP MOTOR
1328	WE17X10002	MOTOR & PULLEY
1345	WE02X10015	CLIP BLOWER HSG
1346	WE13X10006	BRACKET MOTOR
1347	WE09X10003	SEAL EXHAUST TUBE
1349	WE04X10030	SWITCH-BELT
1350	WE13X10008	BRACKET BELT SWITCH
1381	WE14X10007	TUBE ASM EXHAUST