

# Whirlpool

SERVICE

CENTRO DE SOLUCIONES



LO ORIGINAL MARCA DIFERENCIA

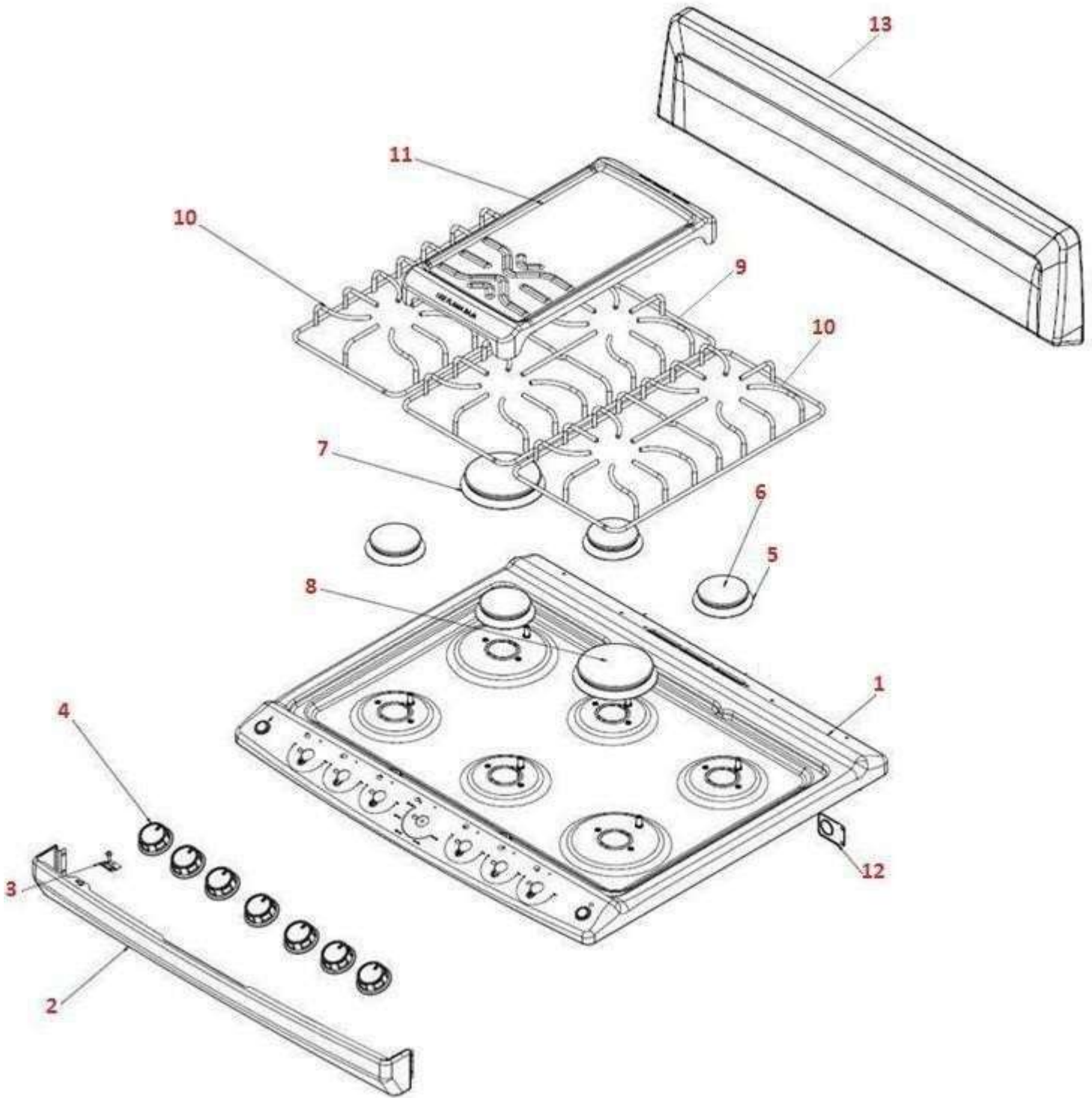
**EXPLOSIONADO DEPARTES**  
**- ESTUFA NACIONAL-**  
**MODELO | NWF5170M**

**acros**

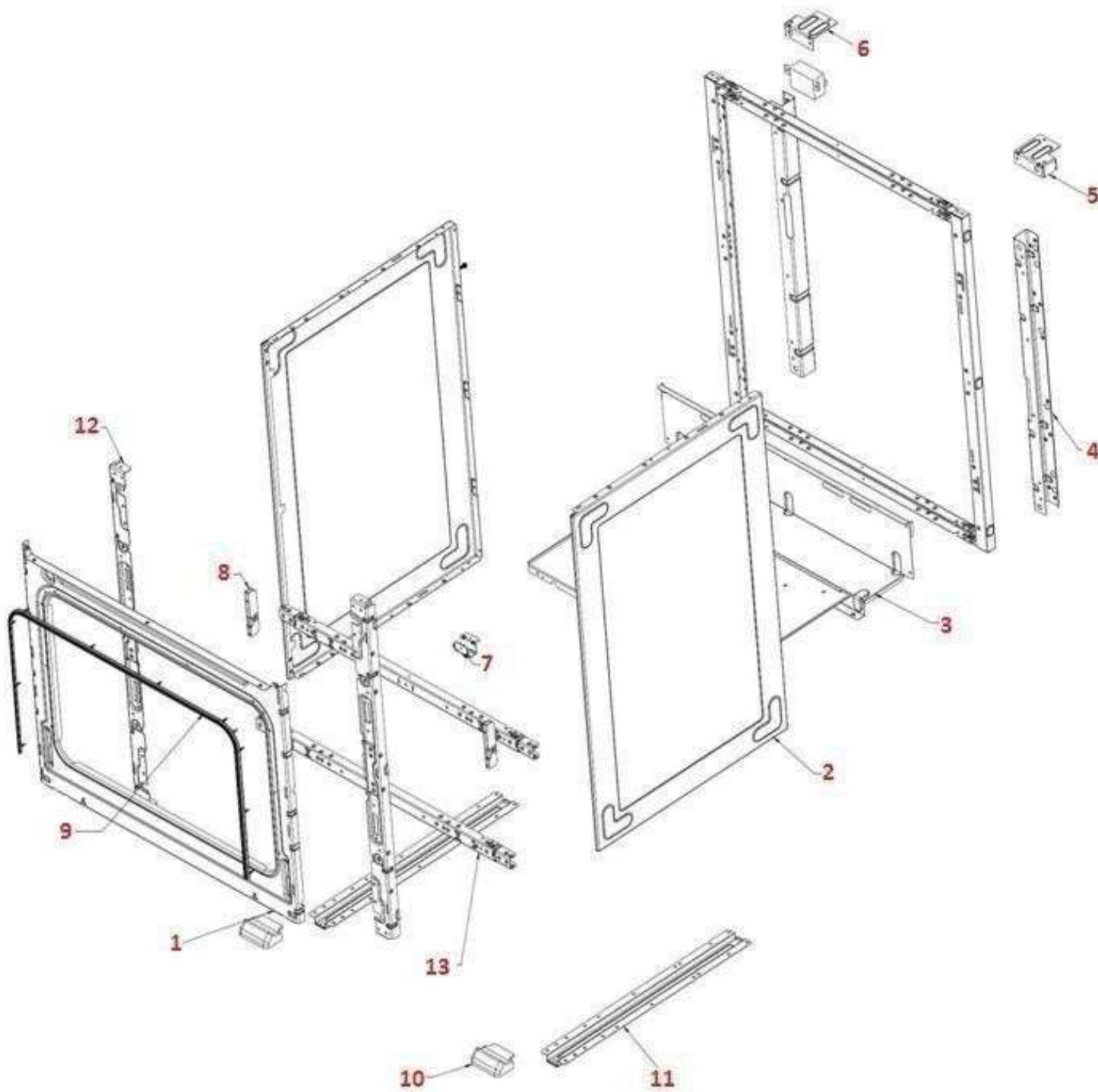
**Whirlpool**  
CORPORATION

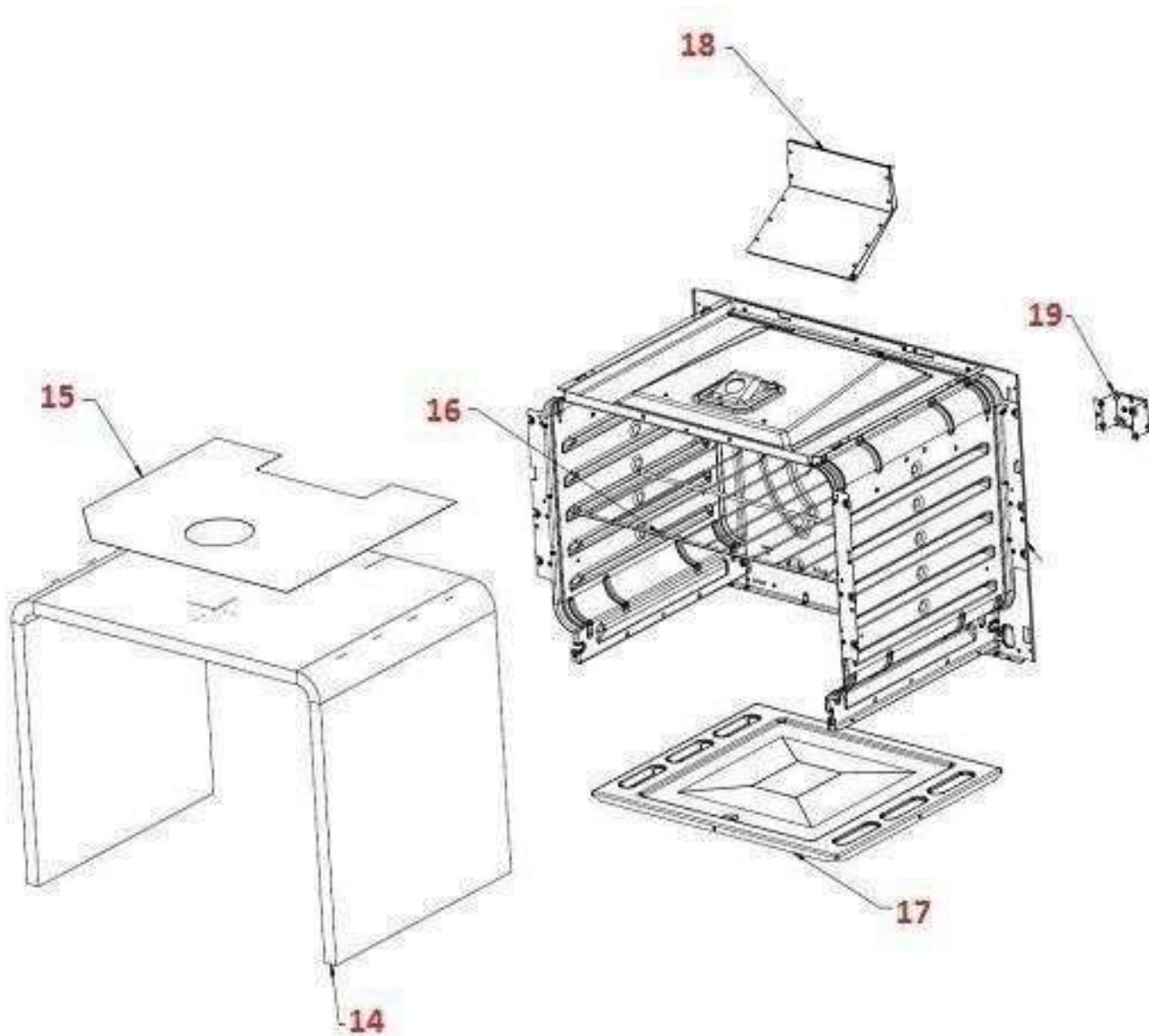
**MAYTAG**

**KitchenAid**



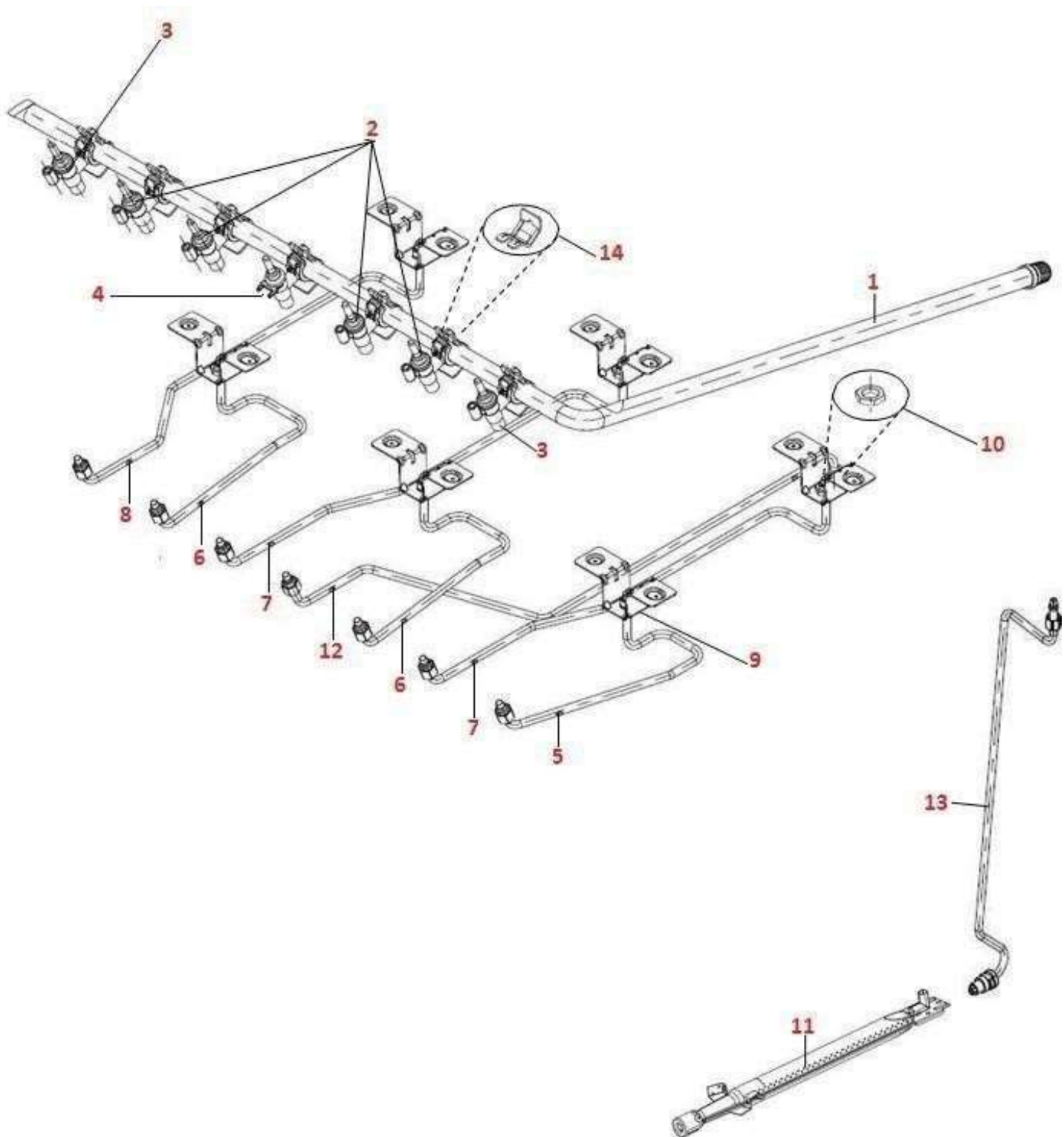
<b>No. Ilus.</b>	<b>DESCRIPCIÓN</b>	<b>Cant.</b>	<b>No. de Parte</b>
1	COOKTOP	1	W10491394
2	FRONT PANEL EXTENTION U	1	W10873118
3	FRONT CLIP COOKTOP	2	W10620563
4	SINGLE KNOB GRAY	7	W10797551
5	STD BURNER	4	W10354371
6	STD BURNER	4	W10354292
7	SUPER BURNER	2	W10356319
8	SUPER BURNER CAP	2	W10354293
9	GRATE CENTRAL SLIM - CAST	1	W10469928
10	GRATE LATERAL SLIM - CAST	2	W10469929
11	GRIDDLE STAMPED	1	W10387432
12	BRACKET MANIFOLD TUBE	1	W10381587
13	BACKGUARD UNIVERSAL STEEL	1	W10567133
**	TORNILLO CUBIERTA	*	W10146346





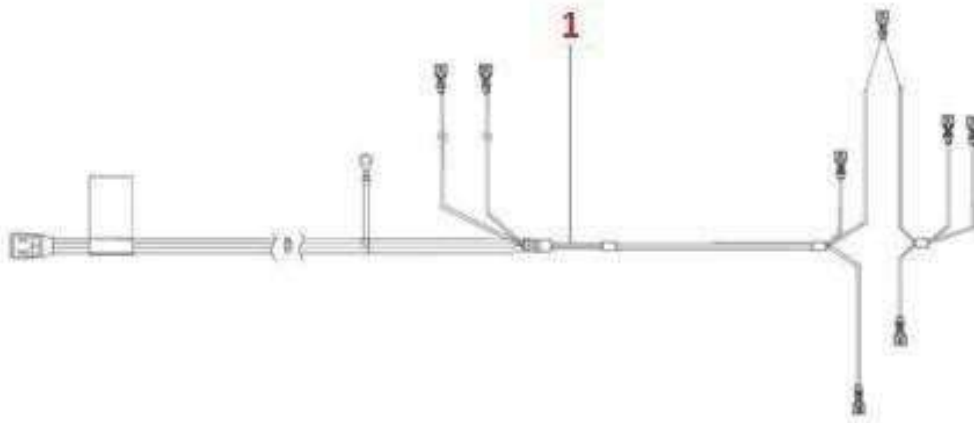
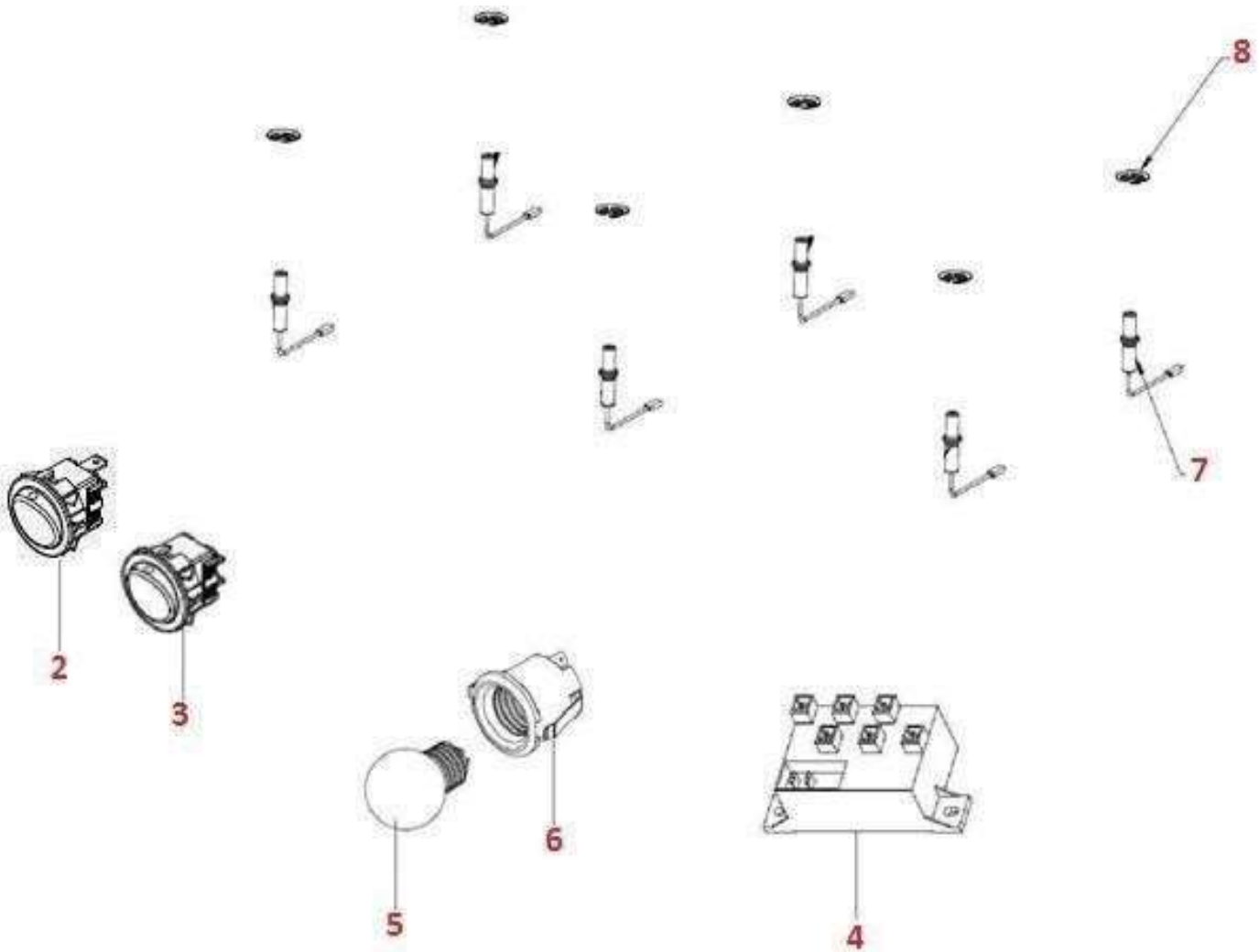


<b>No. Ilus.</b>	<b>DESCRIPCIÓN</b>	<b>Cant.</b>	<b>No. deParte</b>
1	FRONT FRAME	1	W10448073
2	SIDE PANEL - MIDNIGHT GRAY	2	W10354874
3	BROIL BACK COVER	1	W10515063
4	C - BRACKET	2	W10358263
5	CORNER BRACKET RH	1	W10364813
6	CORNER BRACKET LH	1	W10446940
7	FRONT BRACKET OVEN BURNER	1	W10616130
8	COUNTER SUPPORT	2	W10327222
9	OVEN DOOR SEAL	1	W10759584
10	BASE CORNER FRONT	2	W10718549
11	BASE RAIL	2	W10446524
12	CROSS SUPPORT - 30"	2	W10327223
13	FRONT VERTICAL PILLAR F/S	2	W10354862
14	OVENINSULATION WRAPPER 30"	1	W10364807
15	ALUMINUM FOIL ULTRA	1	W10561030
16	OVEN RACK	1	W10550642
17	OVEN BOTTOM 30"	1	W10764694
18	FLUE BOX ASM	1	W10742507
19	BRACKET OVEN BURNER	1	W10381594



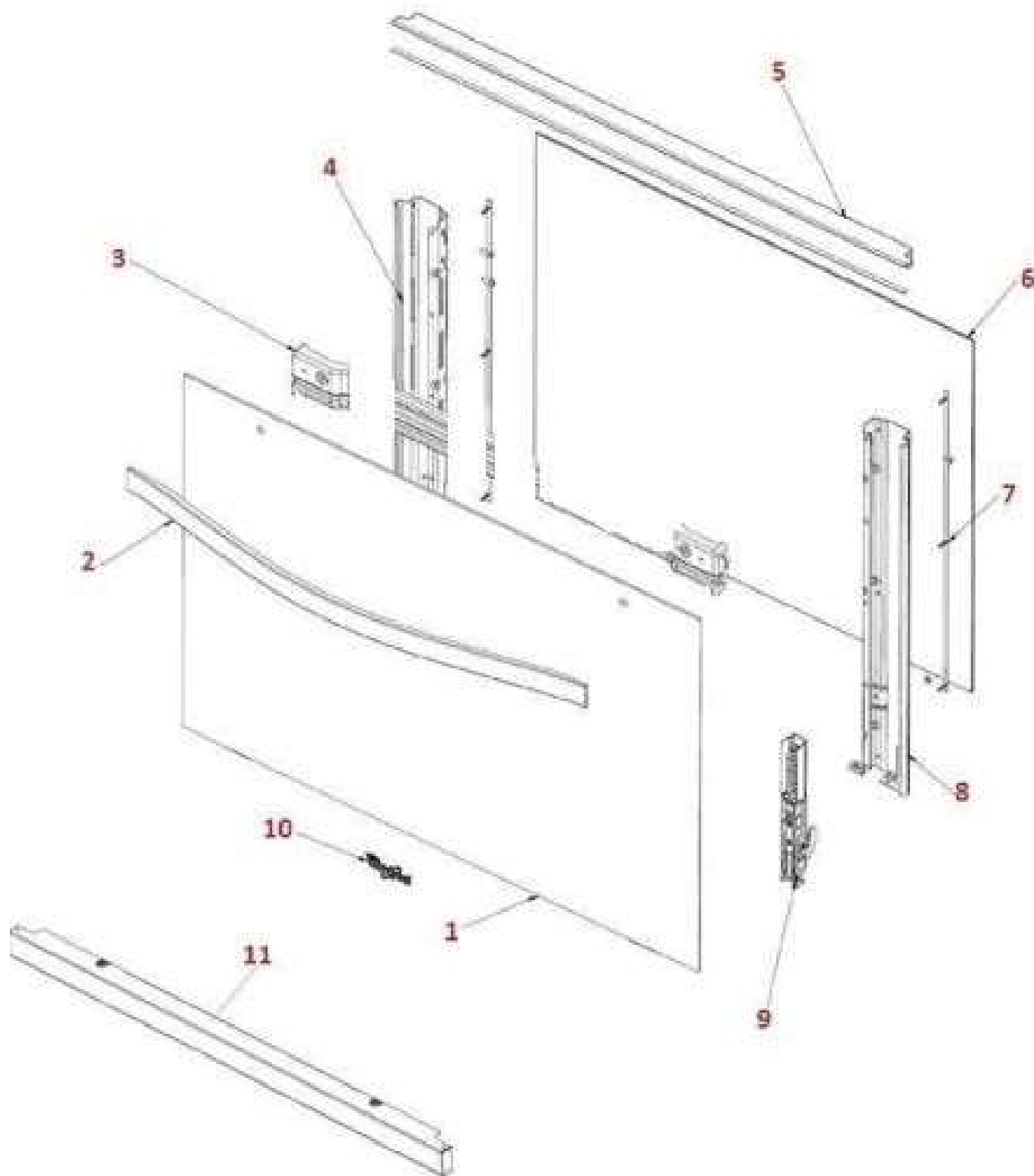
No. Ilus.	DESCRIPCIÓN	Cant.	No. de Parte
1	MANIFOLD TUBE	1	W10381640
2	VALVE SURF ZAMAK TUB.STD	4	W10452660
3	VALVE SURF ZAMAK TUB.SUP	2	W10452673
4	VALVE THERMOC. 5 POS.	1	W10452676
5	FRONT TUBING ASM - SUP	1	W10494190
6	FRONT TUBING ASM - STD	2	W10494191
7	REAR TUBING ASM - STD	2	W10494192
8	REAR TUBING ASM - SUP	1	W10556806
9	BRACKET - SURFACE BURNER	6	W10354300
10	NUT BRACKET TUBING	6	98017323
11	OVEN BURNER	1	W10646982
12	OVEN TUBING - UPPER THERMOCONTROL	1	W10647686
13	TUBING ASSY BOTTOM - OVEN	1	W10647686
14	SADDLE CONNECTION	7	W10075697
**	MANIFOLD TUBE ASSY	**	W10381628



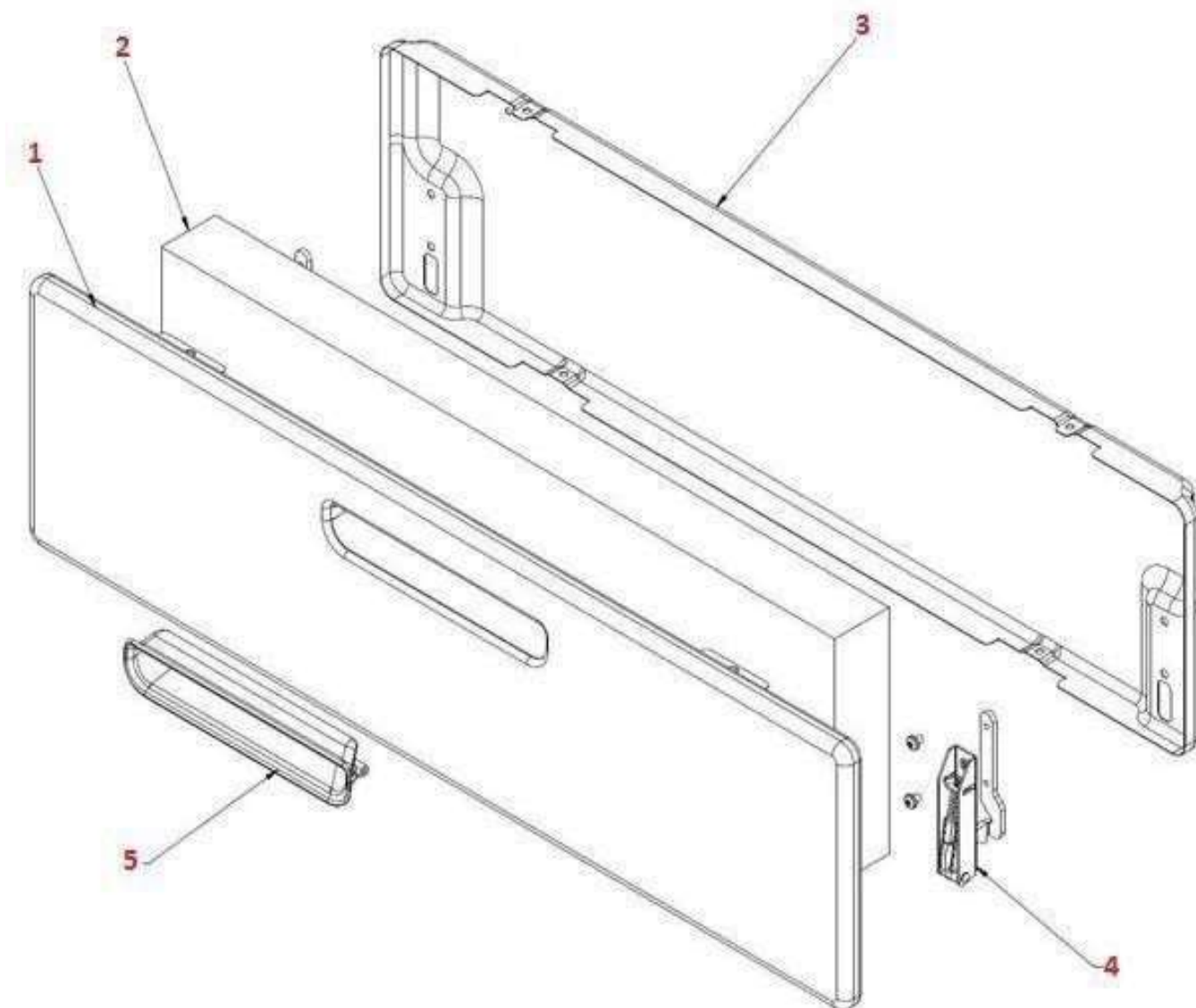


---

<u>No. Ilus.</u>	<u>DESCRIPCIÓN</u>	<u>Can</u>	<u>No.deParte</u>
1	MAIN HARNESS F & F	1	W10754434
2	OVEN LIGHT SWITCH - SH GRY	1	W10568374
3	IGNITION SWITCH SH GRAY	1	W10568375
4	SPARK MODULE 6 POS.	1	W10455035
5	OVEN BULB	1	W10788320
6	SOCKET - OVEN LIGHT	1	W10554269
	TOP ELECTRODE 740	1	W10391624
7	TOP ELECTRODE 650	2	W10391625
	TOP ELECTRODE 500	1	W10381604
	TOP ELECTRODE 350	2	W10381605
8	CLIP IGNITOR -TOP BURNER	6	W10822899



No. Ilus.	DESCRIPCIÓN	Cant.	No. de Parte
1	OUTER DOOR GLASS BLACK	1	W10737679
2	OVEN DOOR HANDLE	1	W10831891
3	BRACKET OVEN DOOR	2	W10744067
4	OVEN DOOR PILLAR LEFT	1	W10445015
5	UPPER TRIM - OVEN DOOR	1	W10873103
6	INNER GLASS - OVEN DOOR	1	W10372163
7	INNER GLASS SEAL	2	W10292266
8	OVEN DOOR PILLAR RIGHT	1	W10445013
9	OVEN DOOR HINGE	2	W10420753
10	BADGE-WHIRLPOOL CENTENNIAL	1	W10481433
**	OVEN DOOR GRAY	**	W10737678



No. Ilus.	DESCRIPCIÓN	Cant.	No. deParte
1	OUTER BROILER DOOR -UNIVERSAL STEEL	1	W10870329
2	INSULATION - BROILER DOOR 30"	1	W10075717
3	30" INNER BROILER DOOR	1	W10357006
4	BROILER DOOR HINGE	2	W10661466
5	HANDLE - BROILER DOOR	1	W10495568
**	BROILER DOOR ASM - UNIVERSAL STEEL	**	W10493744

KIT DE CONVERSION GAS NATURAL:	W10513462	
Componentes a solicitar:	W10132109 (4)	ESPREA QUEMADOR ESTANDAR
	W10118331 (2)	ESPREA QUEMADOR SUPER
	W10539375 (1)	ESPREA QUEMADOR HORNO
	W10452673 (4)	VALVULA QUEMADOR ESTANDAR
	W10452674 (2)	VALVULA QUEMADOR SUPER
	W10452677 (1)	TERMOCONTROL



## NOTA IMPORTANTE

Si el número de serie de la estufa a la cual se le realizará la conversión de gas comienza de la siguiente manera VE722XXXXX o en adelante, es decir, VE723XXXXX, VE724XXXXX etc. favor de solicitar el contenido del siguiente kit. En caso de que el número de serie comience de diferente manera favor de solicitar el kit de arriba

Componentes a solicitar:	W10874075 (1)	TUBING TRASERO IZQUIERDO
	W10874076 (1)	TUBING FRONTAL IZQUIERDO
	W10874077 (1)	TUBING TRASERO CENTRAL
	W10874076 (1)	TUBING DELANTERO CENTRAL
	W10874077 (1)	TUBING TRASERO DERECHO
	W10874079 (1)	TUBING FRONTAL DERECHO
	W10539375 (1)	ESPREA QUEMADOR HORNO
	W10452673 (4)	VALVULA QUEMADOR ESTANDAR
	W10452674 (2)	VALVULA QUEMADOR SUPER
	W10452677 (1)	TERMOCONTROL