

FOR ORDERING INFORMATION REFER TO PARTS PRICE LIST



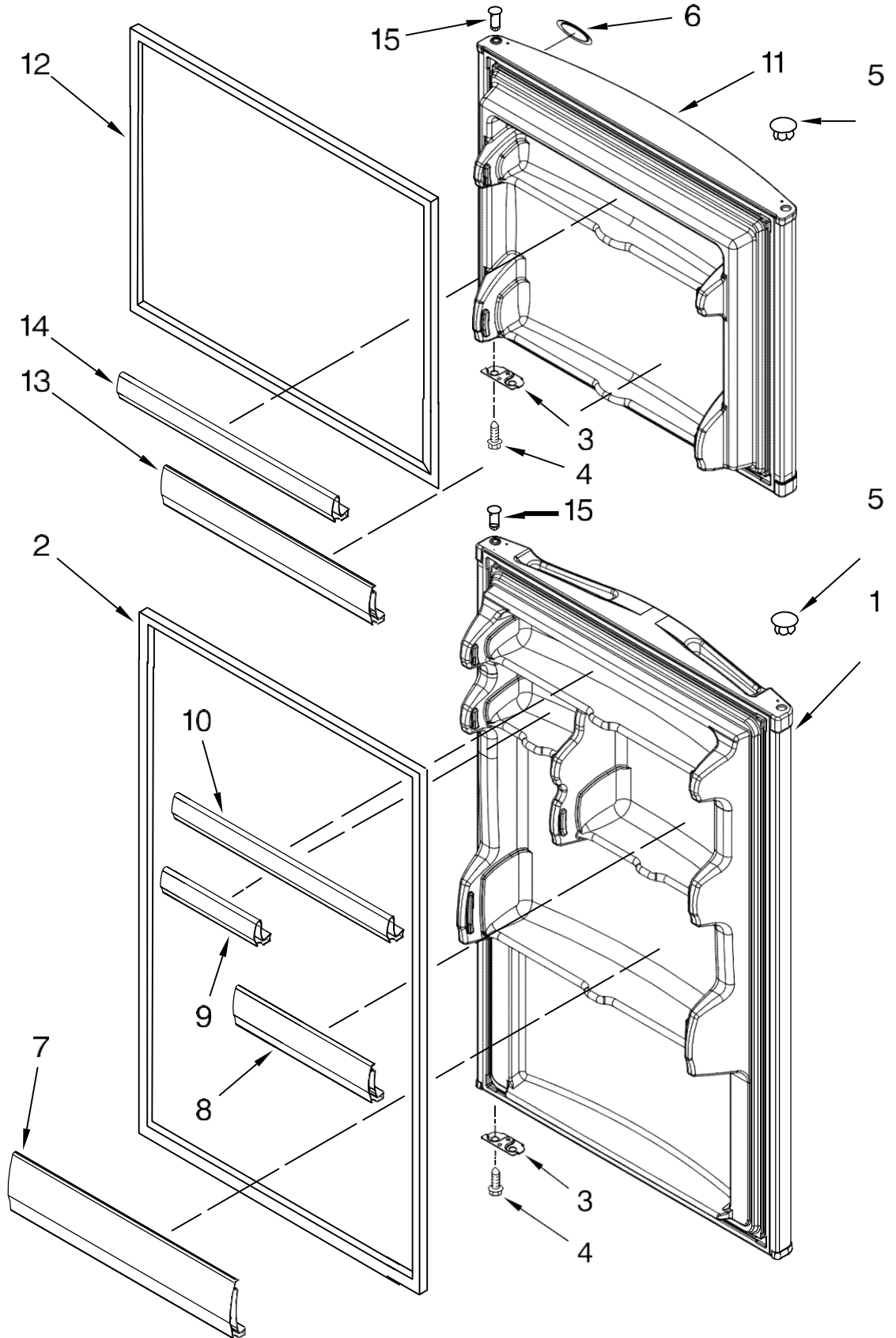
Refrigerador Whirlpool NWT2002D00

Illus. No.	Part No.	DESCRIPTION
1		Literature Parts
	W10201293	Use & Care Guide

Following May Be Purchased

DO-IT-YOURSELF REPAIR MANUALS

	677969	Do-It-Yourself Manual, Ref./ Fzr.
2	2211109	Hinge, Top
3	2221885	Shim, Hinge Top
4	489497	Screw
5		Cover, Hinge
	842010	White
	2326062	Universal Silver
6	487576	Washer
7	487802	Washer
8	3400112	Screw
9	2211114	Hinge, Center
10	2166043	Shim, Hinge Center
11	2211299	Shim, Hinge Bottom
12	2211158	Hinge-Pin, Bottom
13	2211159	Hinge-Butt, Bottom
14	3428970	Screw
15	2219077	Clip, Harness
16		Rail Center (Not Serviced)
17		Cabinet (Not Serviced)
18		Hole Plug (4)
	2201012	White
	2326060	Universal Silver
19	937220	Leg, Leveler
20		Filler, Corner
	2191595	White
	2326063	Universal Silver

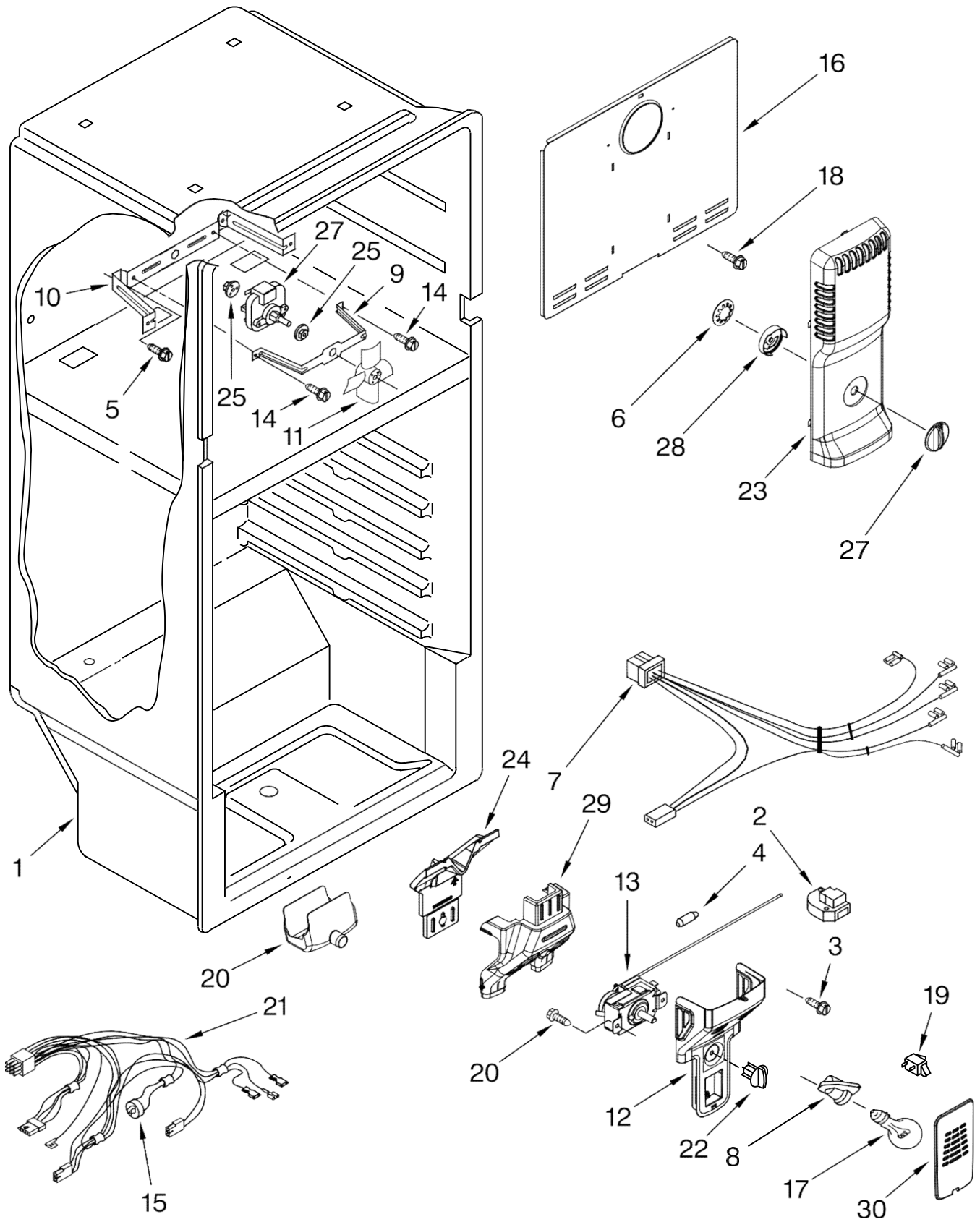


FOR ORDERING INFORMATION REFER TO PARTS PRICE LIST



Refrigerador Whirlpool NWT2002D00

Illus. No.	Part No.	DESCRIPTION
1		Refrigerator Door (Includes Illus. 2,3,4 5 & 15) W10163947 White W10185711 Universal Silver
2	W10190028	Gasket, Door (RC)
3	2211124	Bracket, Door Stop
4	488921	Screw
5		Hole Plug (4) 2211250W White 2211250D Universal Silver
6	2262180	Nameplate
7	W10202677	Trim, Door Shelf (Bottom)
8	W10202682	Trim, Door Shelf (Middle-Right)
9	W10202685	Trim, Door Shelf (Middle-Left)
10	W10202687	Trim, Door Shelf (Top)
11		Freezer Door (Includes Illus. 3,4,5 12 & 15) W10163948 White W10185719 Universal Silver
12	W10190030	Gasket, Door (FC)
13	W10202688	Trim, Door Shelf (Bottom)
14	W10202692	Trim, Door Shelf (Top)
15	2210973	Thimble

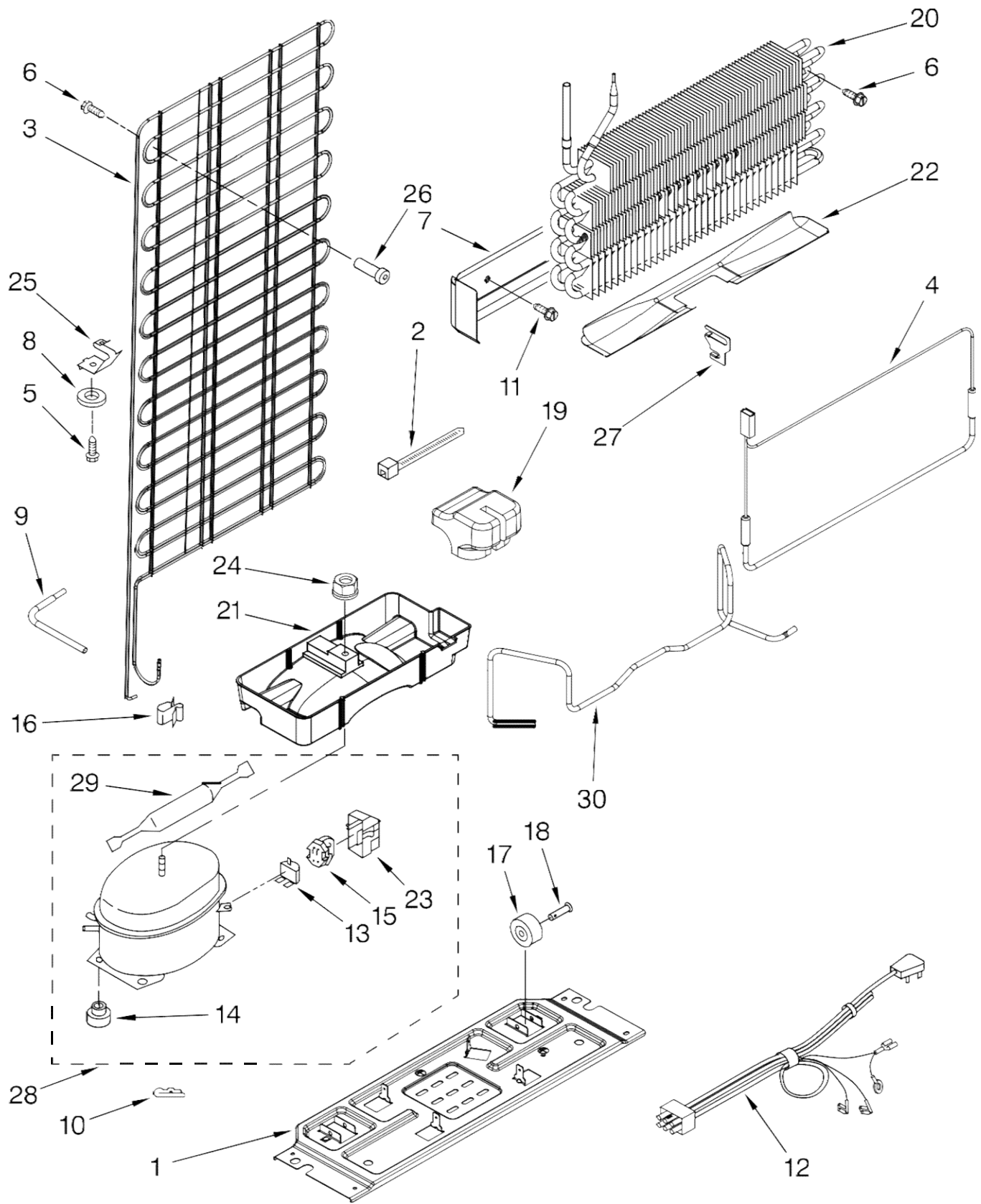


FOR ORDERING INFORMATION REFER TO PARTS PRICE LIST



Refrigerador Whirlpool NWT2002D00

Illus. No.	Part No.	DESCRIPTION
1		Liner (Not A Serviceable Part)
2	2188372	Defrost Timer
3	488693	Screw
4	2200831	Weight, Thermal
5	489442	Screw
6	2211239	Nut-Push, Damper
7	W10231877	Wire Assembly, Control Box
8	2263413	Socket, Light
9	W10180172	Fan Support Bracket
10	2197405	Fan Mounting Bracket
11	2200509	Fan Blade
12	W10191306	Control Box
13	W10191321	Thermostat
14	489399	Screw
15	2266067	Defrost, Bi-Metal
16	2263365	Cover, Evaporator
17	R-31244	Light Bulb
18	489478	Screw
19	1118894	Rocker Arm Switch
20	2211236	Drain Cup
21	W10164677	Wiring, Freezer (Includes Illus. 34)
22	2211234	Control Knob
23	W10194618	Air Tower
24	W10238902	Air Diffuser, Rear
25	2264462	Grommet, Motor
26	W10234465	Evaporator Fan Motor
27	2211237	Knob, Freezer Control
28	2211238	Damper, Freezer Control
29	2211026	Air Diffuser (Front)
30	2211074	Cover, Light



FOR ORDERING INFORMATION REFER TO PARTS PRICE LIST



Refrigerador Whirlpool NWT2002D00

Illus. No.	Part No.	DESCRIPTION
1	W10222447	Support Plate, Compressor
2	2263990	Strap
3	W10219451	Condenser
4	2210895	Heater, Defrost
5	489442	Screw
6	8533892	Screw
7	2210879	Heat Shield
8	VS611	Washer
9	2219285	Tube, Process
10	24364001	Clip, Compressor
11	489442	Screw
12	W10231880	Wire Assy, Unit
13		Overload Production
	2264602	Production
	2264602	Service Grommet
14		Production
	2222084	Relay, Starting
15		Production
	2264603	Production
16	939054	Clip, Wire

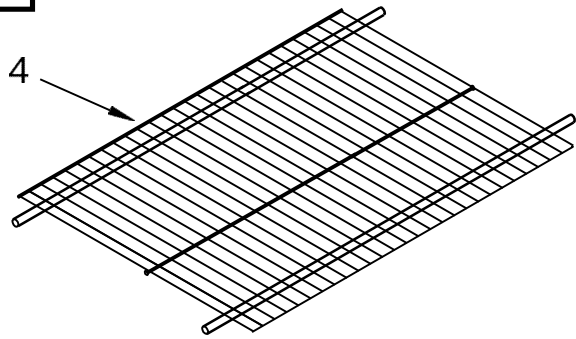
Illus. No.	Part No.	DESCRIPTION
17	2150304	Roller
18	2264756	Roller
19	2210813	Roller
20	2211094	Evaporator Assy.
21	2217957	Evaporator Tray
22	2265095	Drain Pan
23	2162358	Cover
24	489153	Hex Nut
25	2172892	Clip, Condenser Mounting
26	2258451	Bracket, Condenser
27	2211075	Bracket
28	2264457	Compressor (Includes Illus. 13, 14, 15, 23 & 29)
29		Drier
	W10190413	Production
30	2262248	Tube, Discharge

Illus. No.	Part No.	DESCRIPTION
<u>Following Parts Not Illustrated and Optional Parts Not Included</u>		
	978025	Valve, Access (1/4")
	978026	Valve, Access (5/16")
	978027	Valve, Access (3/8")
	978028	Valve, Access (1/2")
	978029	Valve, Access (5/8")
	978030	Valve, Access (3/4")
	876764	Valve, Access (3/16")

REFRIGERANT CHARGE

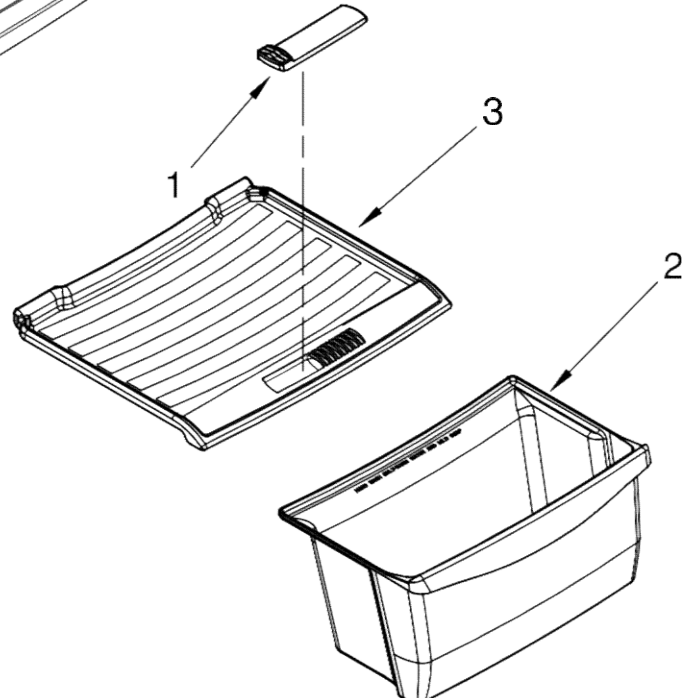
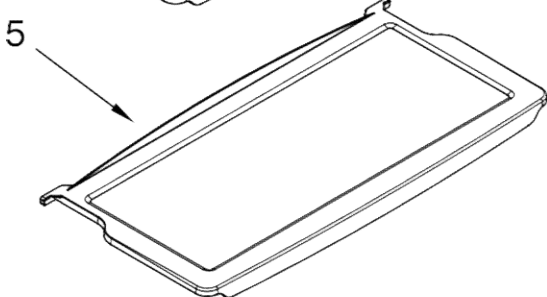
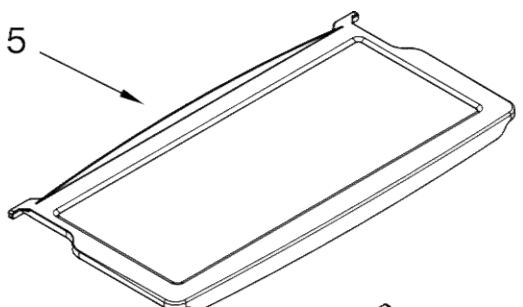
3.00 Ozs.
(R134A)

FREEZER



REFRIGERATOR

REFRIGERATOR



Illus. No.	Part No.	DESCRIPTION
1	2211185	Control, Humidity
2	W10166209	Crisper Pan
3	2222268	Cover, Crisper
4	2256540	Shelf, Wire
5	W10160635	Shelf Assy.(Glass)

OPTIONAL PARTS

For Models: NWT2002Q00, NWT2002D00
(White) (Universal Silver)

Illus. No.	Part No.	DESCRIPTION	Illus. No.	Part No.	DESCRIPTION	Illus. No.	Part No.	DESCRIPTION
Parts Not Illustrated and Optional Parts (Not Included)			<u>Customer Touch-Up Material</u>			<u>TORX SCREW WRENCH</u>		
			72017 Brush Touch-Up Kit (White)			1117510 Torx Key		
			72032 Brush Touch-Up Kit (Black)					
			72107 Brush Touch-Up Kit (Almond)					
			4392899 Brush Touch-Up Kit (Biscuit)					
<u>Miscellaneous</u>			<u>Refinishing Material</u>					
	978941	Insulation, Fiberglass (63-1/2" x 35-1/2" x 2-5/8")		799344	Enamel, White			
	212643	Sealer, Gum (4 Feet)		799340	Enamel, Black (1 Qt. Uncut)			
	479502	Tape, Vinyl (3/4" x 108")			(1 Qt. Uncut)			
	876305	Kit, Insulation (14 Pcs. 3" x 24" x 48")		978883	Enamel, Almond (1 Qt. Uncut)			
	876370	Kit, Insulation (2 Pcs. 3" x 24" x 48")		4392900	Enamel, Biscuit (1 Qt. Uncut)			
	876029	Kit, Foam Slab (30" x 32-1/2" x 1-1/2")		833938	Kit, Terminal Connector			
	505587	Sealer, Mastic (1 Qt.)	<p>*Important: The spray paint is not to be used where the paint may make contact with the door gaskets.</p>					
	511873	Touch-Up, White Porcelain (2 Oz.)						
	542638	Grease, Silicone (1/2 Oz.)						
	542639	Cement, Alumilastic (1-1/4 Oz.)						
	606755	Bag, Insulation (36-5/8" x 46")						
	799832	Kit, Porcelain Repair (White)						
	503695	Cork Sealer (1/4 Pound)						