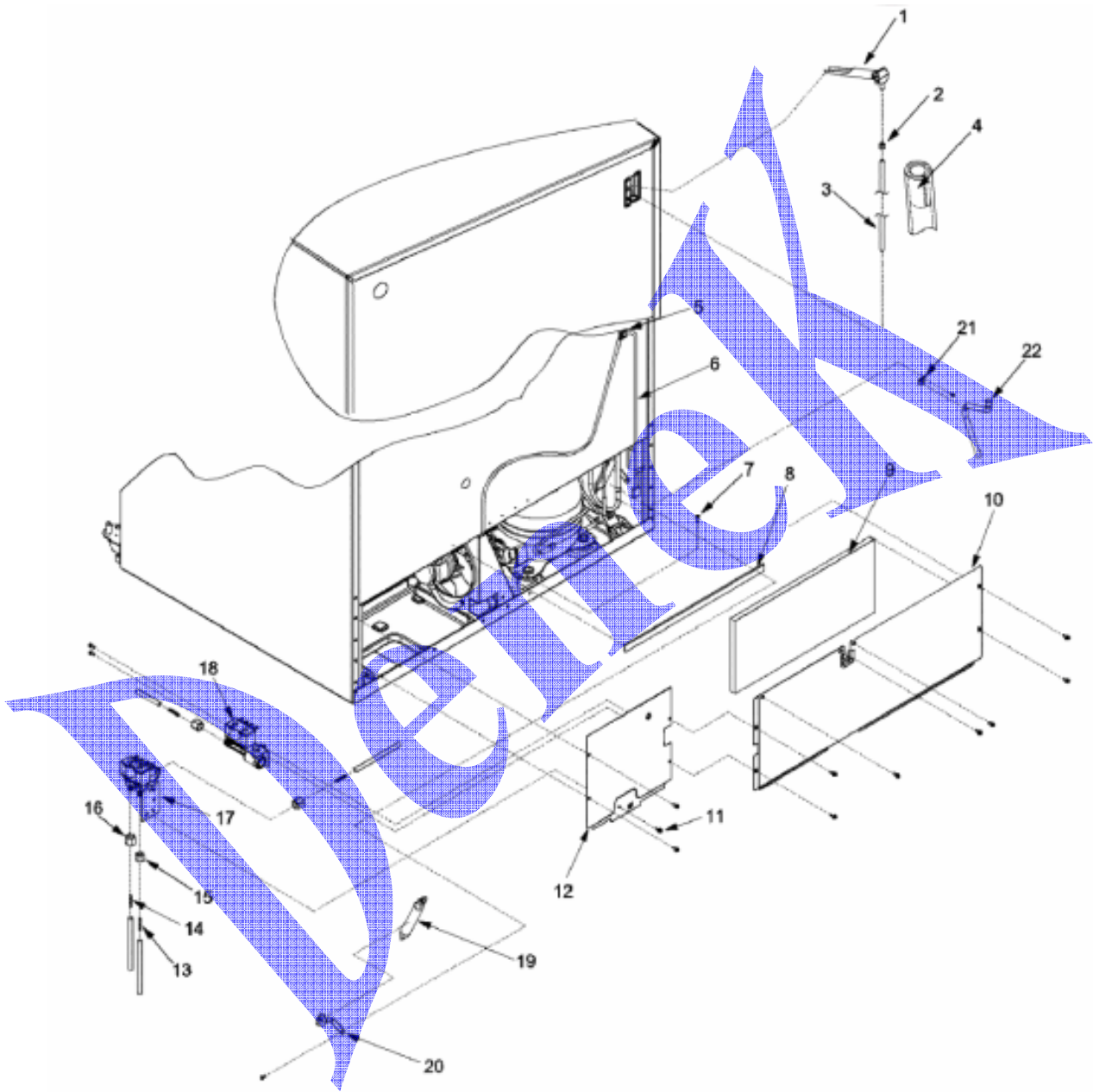


MTG. REF. MODEL. PARSE665BS0

PARTE TRASERA DEL GABINETE



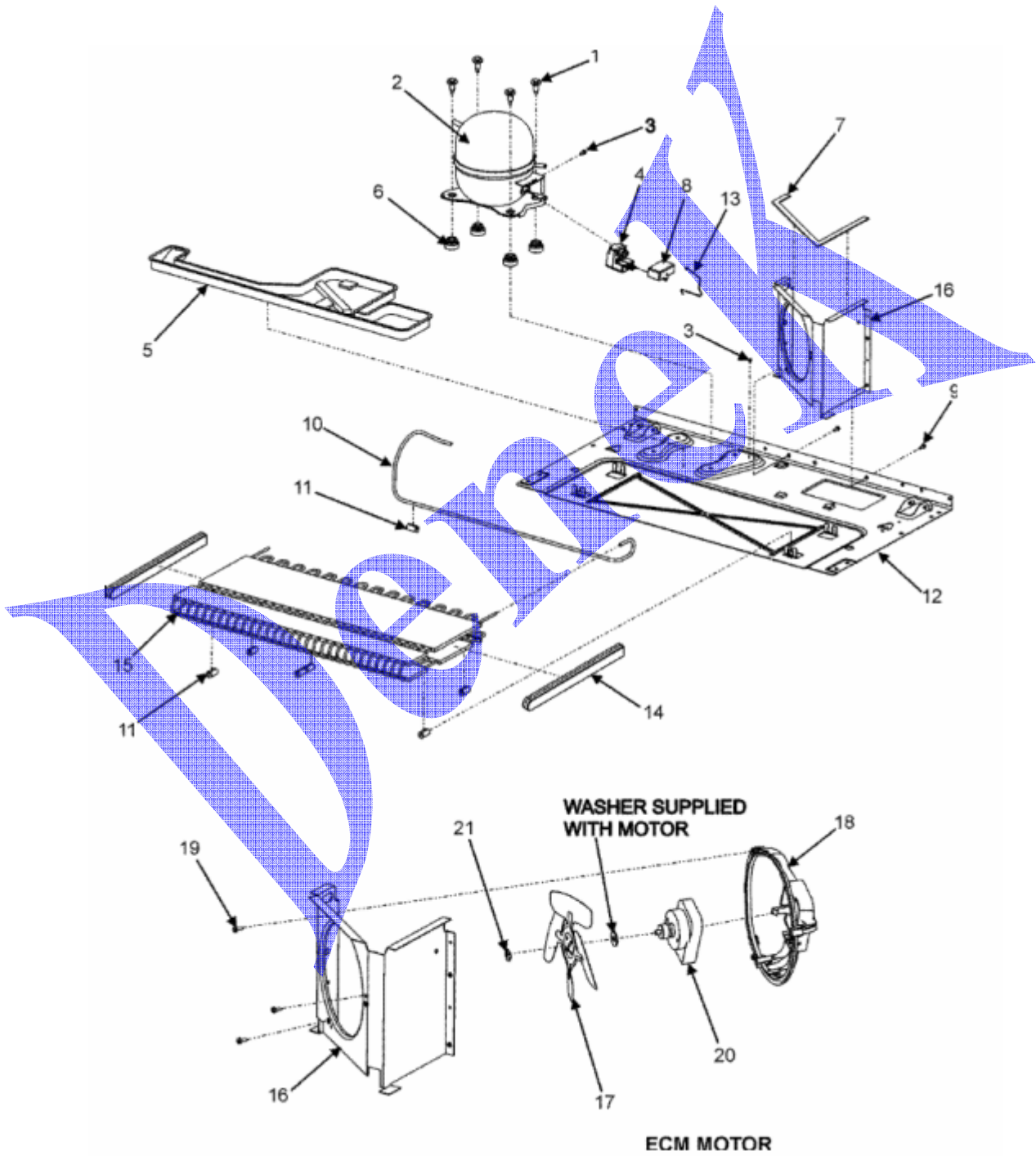
MTG. REF. MODEL. PARSE665BS0

PARTE TRASERA DEL GABINETE

NUMERO	N. DE PARTE	DESCRIPCION
1	12522201	ELBOW, FILL TUBE
2	M0114003	CLIP, SPEED
3	B5705328	TUBE, PLASTIC 74.5" x
4	A3223101	INSERT, PLASTIC TUBE
5	M0104106	CLIP
6	12583301	CORD, POWER
7	M0239216	SCREW, CA
8	B5759649	GASKET, MC BACK
9	B0523599	INSULATION, MC BACK
10	12575101ED	BACK, MACH COMP
	M0238616	SCREW, SM
11	M0251015	SCREW
12	12575201ED	COVER, WATER VALVE
	M0226528	SCREW, TC
13	A1055105	SPRING, ANTI KINK
14	A1055104	SPRING, ANTI-KINK
15	M0753001	NUT, SLEEVE
16	M0753002	NUT, SLEEVE
17	12544102	VALVE, SECONDARY WATER
18	12544002	VALVE, PRIMARY WATER
	M0251015	SCREW
19	B2150504	DRIER
20	M0220617	SCREW
	10547002	CLIP, DRIER
21	M0220617	SCREW
	M0102303	CLAMP
22	12580401	TUBE, DRAIN

MTG. REF. MODEL. PARSE665BS0

AREA DEL COMPRESOR



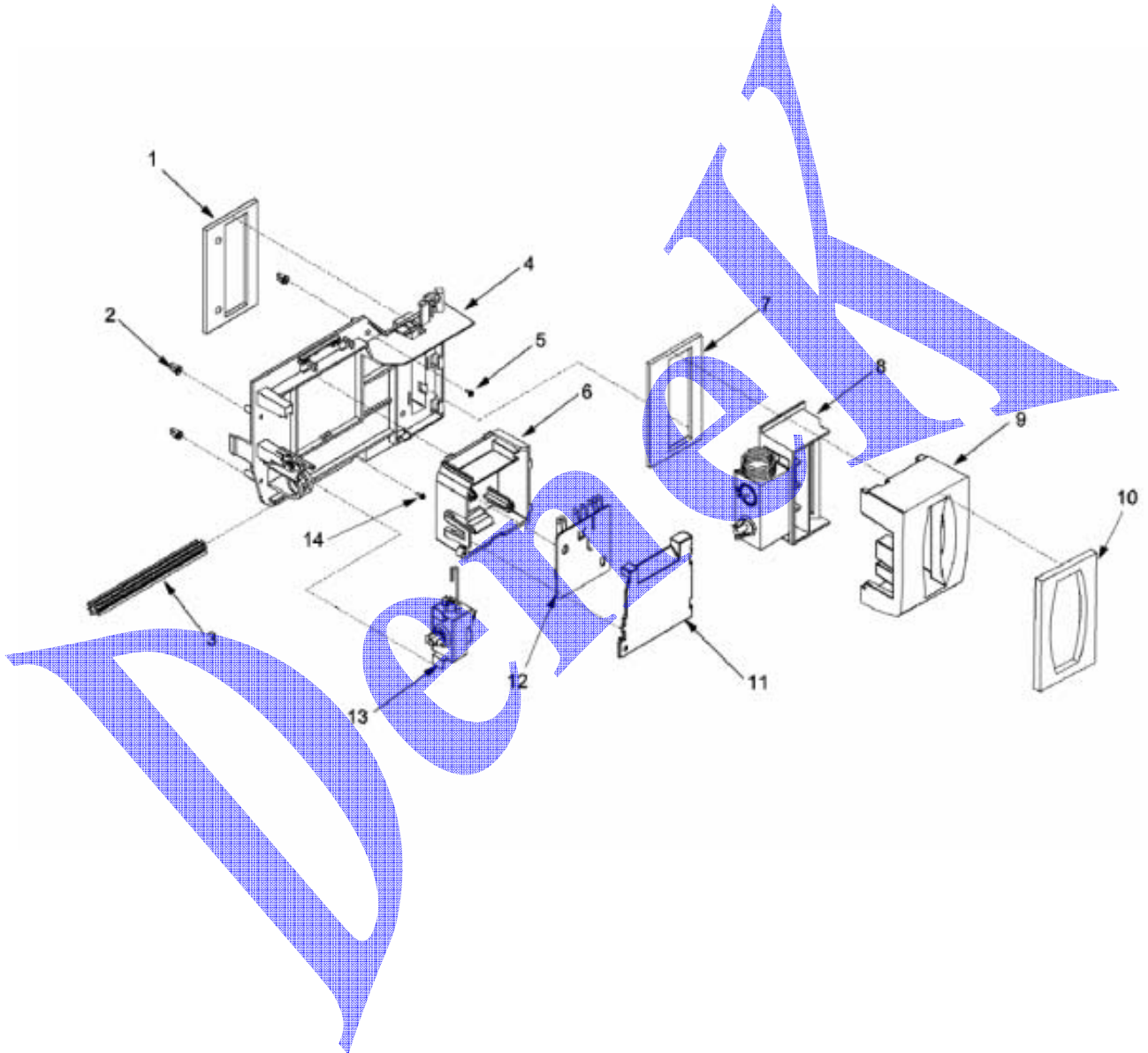
MTG. REF. MODEL. PARSE665BS0

AREA DEL COMPRESOR

NUMERO	N. DE PARTE	DESCRIPCION
1	M0221523	SCREW, SHLDR
2	12049717	COMPRESSOR, TC TPE1380Y
3	M0231604	SCREW, TF
4	12555902	OVERLOAD, RELAY
5	12579801	PAN, DRAIN
6	10835901	GROMMET, COMPRESSOR
7	61003832	GASKET, COND SHROUD
8	C8931612	CAPACITOR
9	M0238616	SCREW, SM
10	67002236	TUBE, DISCHARGE
11	67005680	GROMMET, CONDENSER
12	67005889	PAN, BASE
13	12576801	STRAP, BALE
14	67002235	BLOCK-EPS COND
15	67006131	Condenser
16	67001090	SHROUD, CONDENSER FAN
17	12587601	BLADE, COND FAN
18	12002738	BRACKET, COND FAN MOTOR
19	M0223816	SCREW, TR
20	12628701	MOTOR, CONDENSER FAN (ECM)
21	12632601	NUT, ECM MOTOR
22	67002808	HARNESS, MC

MTG. REF. MODEL. PARSE665BS0

CONTROLES



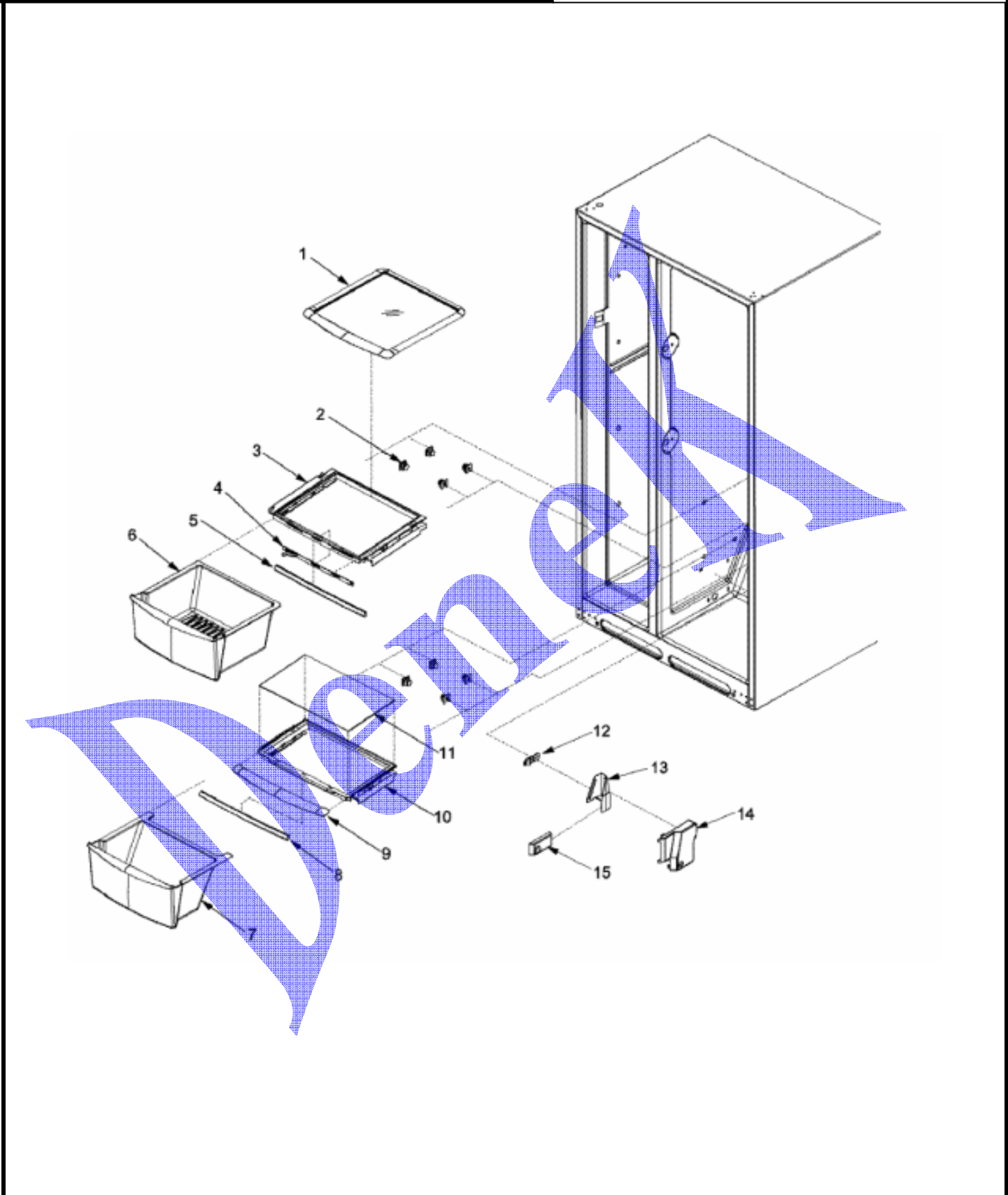
MTG. REF. MODEL. PARSE665BS0

CONTROLES

NUMERO	N. DE PARTE	DESCRIPCION
1	10383201	GASKET, DAMPER
2	M0580205	GROMMET, SCREW
3	12571801	EXTENSION, KNOB
4	67002981	BRACKET, CONTROL
5	M0216539	SCREW
6	12624801	BOX, DEFROST CONTROL
7	12582801	GASKET, DAMPER
8	12571701	CONTROL, DAMPER
9	12604201	INSULATION, DAMPER
10	12582901	GASKET, CONTROL COVER
11	12624901	COVER, DEFROST CONTROL
12	12566102	BOARD, ADAPTIVE DEFROST
13	12351006	CONTROL, FZ TEMP
14	M0211018	SCREW, SM
15	12684401	HARNESS, CONTROL

MTG. REF. MODEL. PARSE665BS0

CAJONES



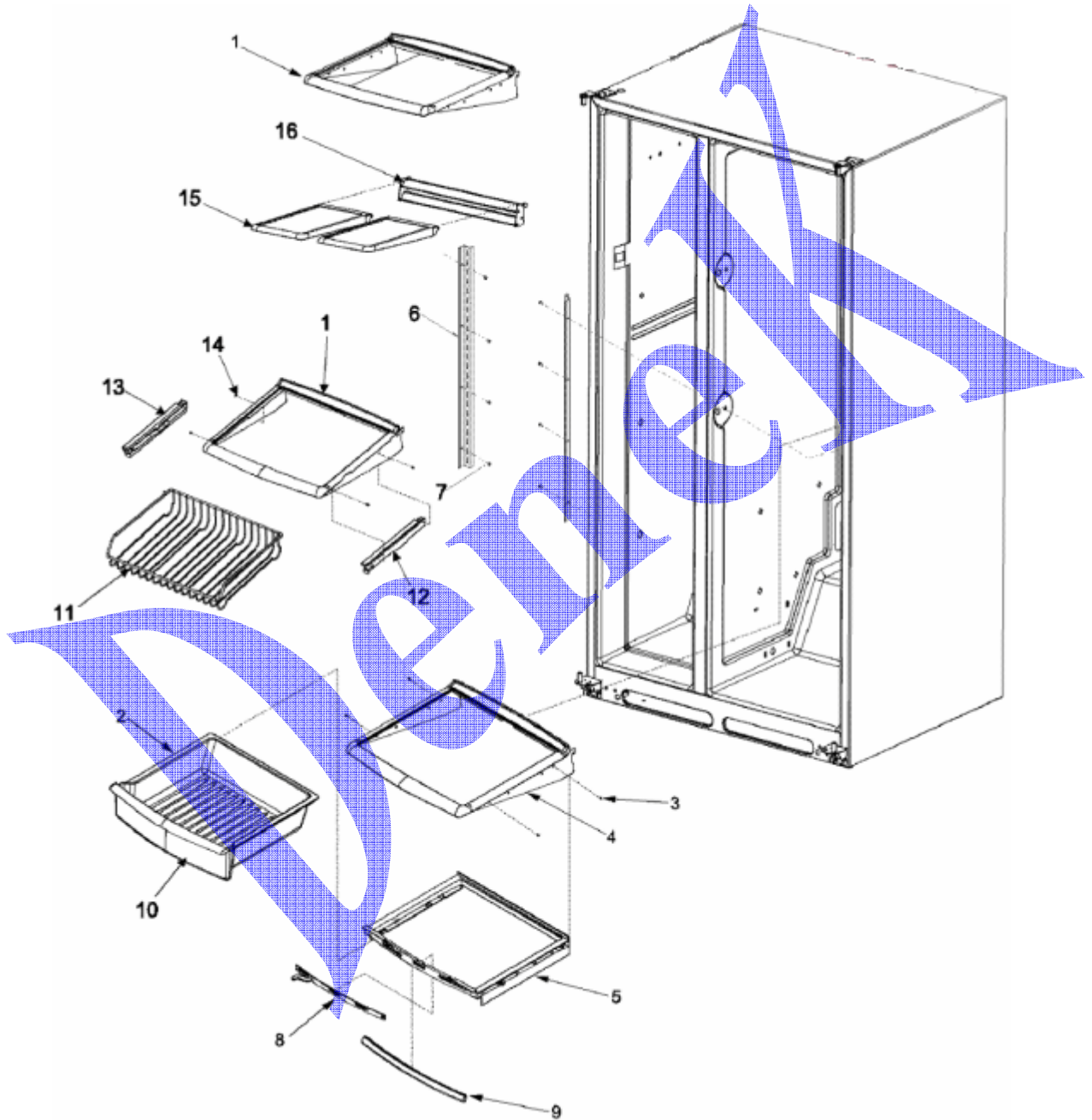
MTG. REF. MODEL. PARSE665BS0

CAJONES

NUMERO	N. DE PARTE	DESCRIPCION
1	12559701	SHELF, TOP CRISPER
2	12603701	SUPPORT, CRISPER FRAME
3	67002723	FRAME, LG CRISPER
4	12562601U	SLIDE, LG CRISPER (BLUE)
5	12589104	SEAL, SM CRISPER FRONT
6	12560301	FRONT, DELI/LG CRISPER PAN
	67001503	PAN, LG CRISPER
7	12560301	FRONT, DELI/LG CRISPER PAN
	67001504	PAN, DELI
8	12589104	SEAL, SM CRISPER FRONT
9	12562301	TRIM, DELI FRAME
10	67002822	FRAME, DELI
11	12204811	GLASS, SHELF
12	12586201U	CONTROL, DELI (BLUE)
13	12586101	SLIDE, DELI CONTROL
14	12586001	HOUSING, DELI CONTROL
15	12664201	TUNNEL, DELI CONTROL
16	12585701Q	LG CRISPER FRAME ASSY
17	67002885	DELI FRAME ASSY

MTG. REF. MODEL. PARSE665BS0

REJILLAS



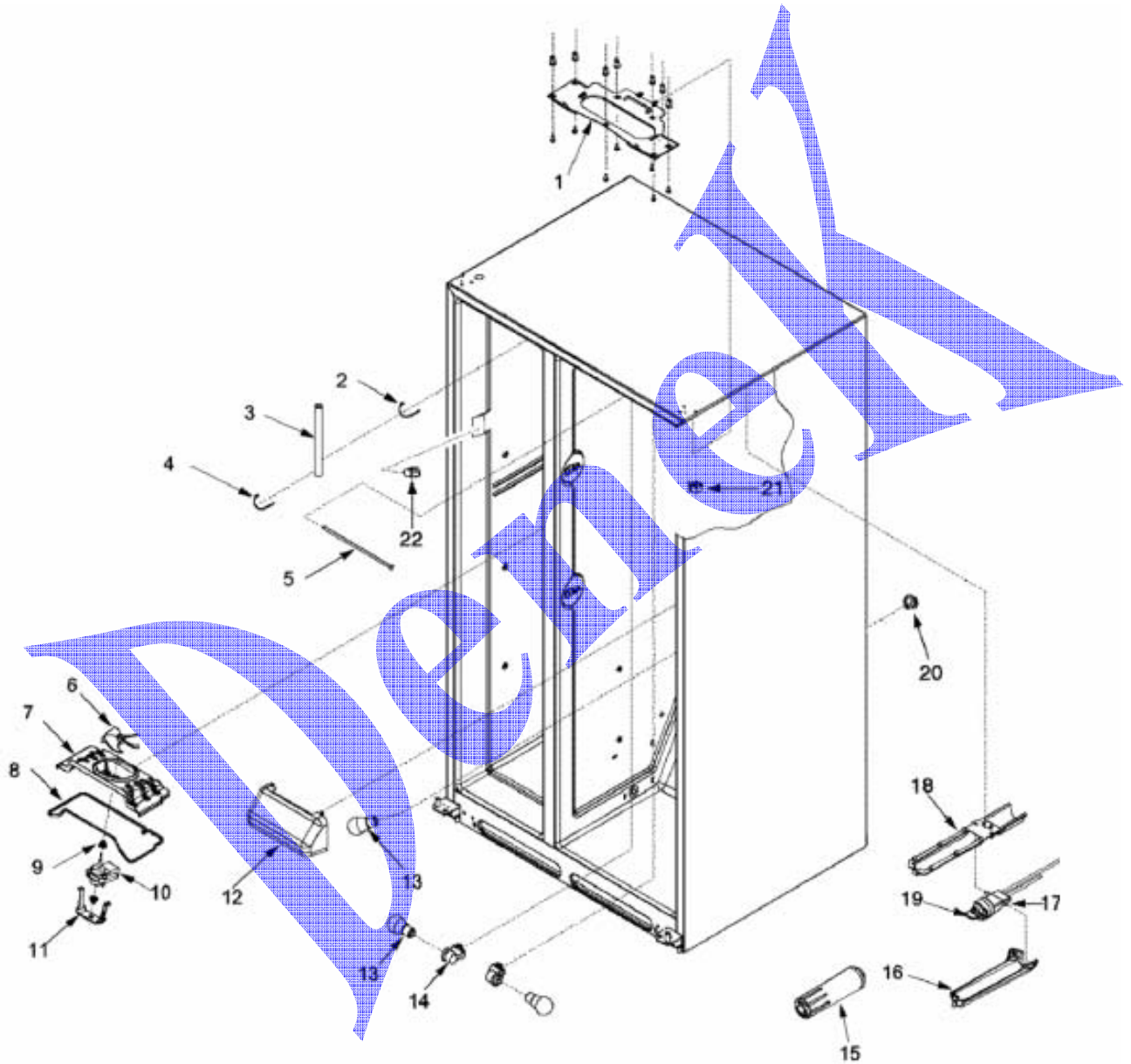
MTG. REF. MODEL. PARSE665BS0

REJILLAS

NUMERO	N. DE PARTE	DESCRIPCION
1	12457501	SHELF, GLIDE
2	67001505	PAN, SM CRISPER
3	M0214931	SCREW
4	12457401	SHELF, STA-B/B(26)
5	67002900	FRAME, SM CRISPER
6	67001178	LADDER, SIDE
7	M0211016	SCREW, SM
8	12562602U	SLIDE, SM CRISPER (BLUE)
9	12589104	SEAL, SM CRISPER FRONT
10	12560401	FRONT, SM CRISPER PAN
11	12565901	RACK, CAN
12	12579601	GLIDE, CAN RACK (RT)
13	12579602	GLIDE, CAN RACK (LT)
14	M0214931	SCREW
15	67001180	SHELF, SPECIALTY
16	12617801	RACK, SHELF
17	67002901	SM CRISPER FRAME ASSY

MTG. REF. MODEL. PARSE665BS0

MOTOR EVAPORADOR



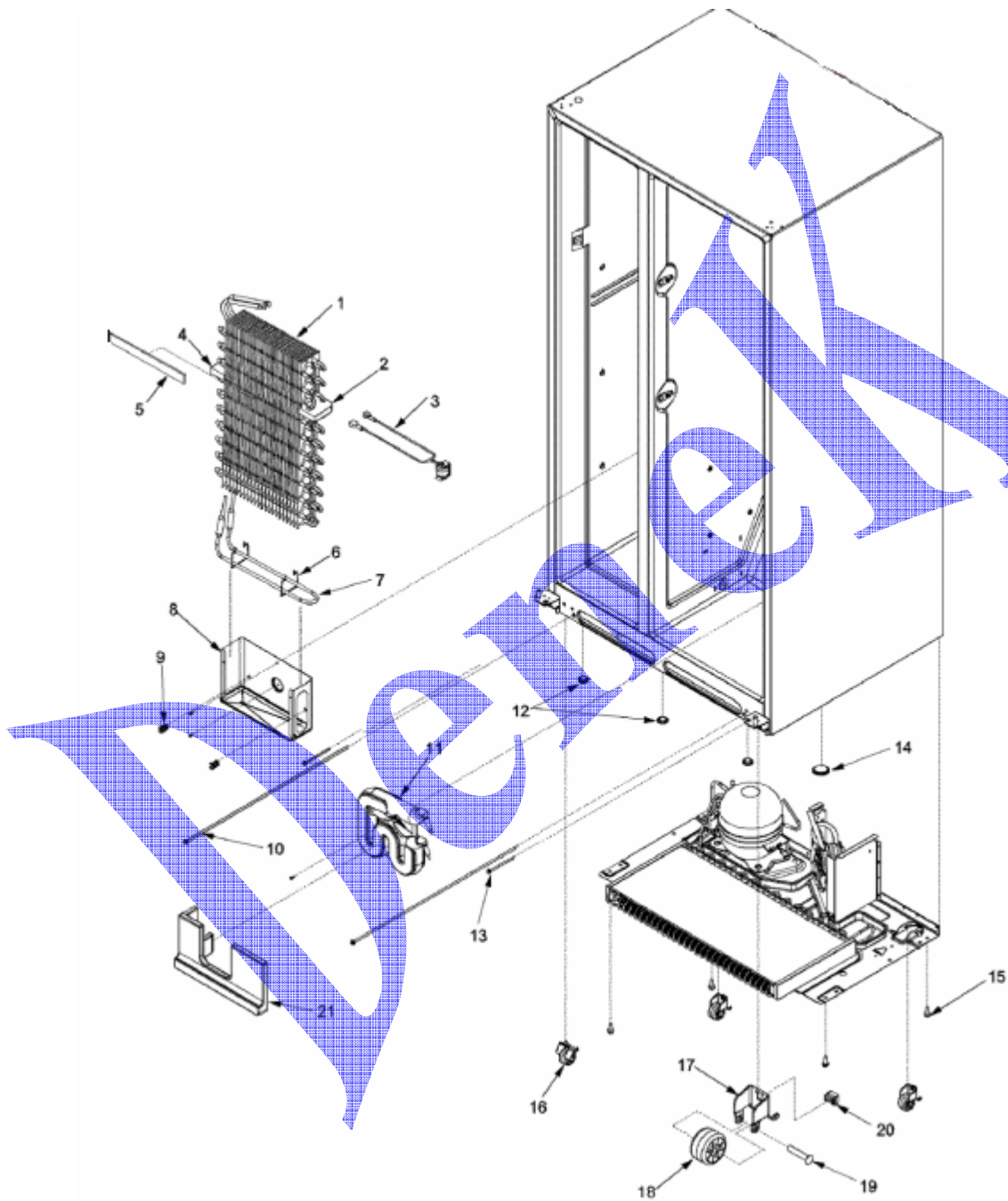
MTG. REF. MODEL. PARSE665BS0

MOTOR EVAPORADOR

NUMERO	N. DE PARTE	DESCRIPCION
1	M0580007	GROMMET, SCREW
	M0214931	SCREW
	12666201	PLATE, LIGHT BACKING
2	M0322202	TIE WIRE
3	126076010	INSULATION, TUBING
4	M0321202	TIE, ELEC
5	67004186	TUBE, PLASTIC
6	12217201	FAN, EVAPORATOR
7	12590001	SHROUD, EVAP
8	67001508	GASKET
9	12619301	GROMMET, FAN MOTOR
10	67001509	MOTOR, EVAPORATOR FAN
11	12217805	CLIP, EVAP MOTOR
12	67001507	SHIELD, CRISPER LIGHT
13	A0282803	BULB, LIGHT (40 WATT)
14	12679501	SOCKET, LIGHT
15	UKF8001AXX	NET WATER FILTER(SINGLE)
16	12568001	COVER, FILTER
17	67002378	HOUSING, WATER FILTER
18	12688501	PLATE, FILTER BACKING
19	67002886	HEAD, BYPASS
20	67002216	SOCKET, LIGHT
21	12466104	SWITCH, REF LIGHT
22	12002646	SWITCH, LIGHT

MTG. REF. MODEL. PARSE665BS0

EVAPORADOR



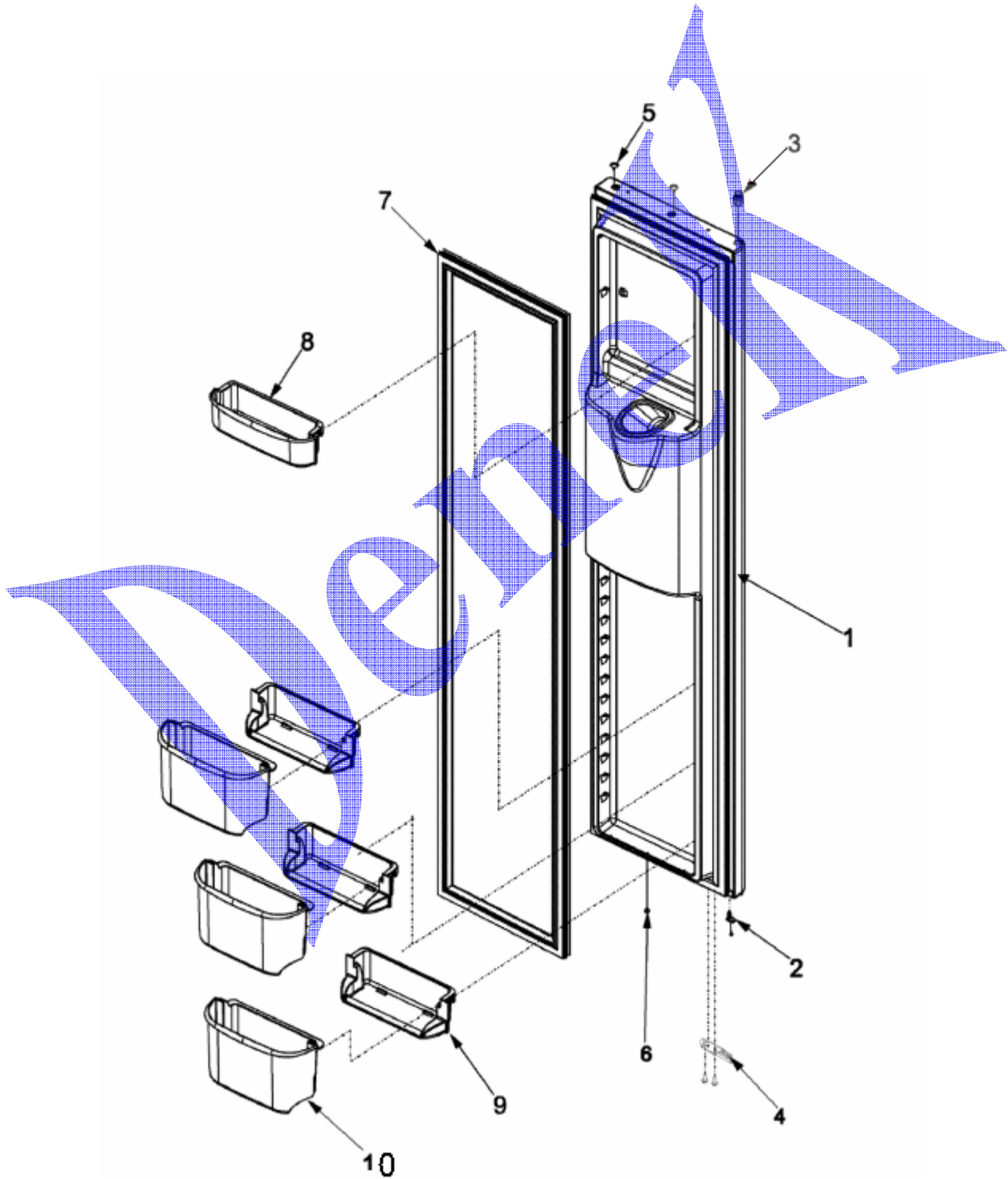
MTG. REF. MODEL. PARSE665BS0

EVAPORADOR

NUMERO	N. DE PARTE	DESCRIPCION
1	12001940	EVAPORATOR, SXS
2	12590102	BLOCK, AIR COIL (RT)
3	R0131661	THERMOSTAT W/HARNESS, FZ LINER
4	12590101	BLOCK, AIR COIL (LT)
5	67002226	GASKET, FOAM
6	10428101	CLIP, EVAP HEATER
7	12049801	HEATER, EVAP
8	M0224416	SCREW, SM
	12558101WD	TRAY, EVAP DRIP
9	10623003	CLIP, EVAPORATOR
10	10093313	SCREW, ADJUSTING
11	M0211018	SCREW, SM
	R0131625	KIT, WATER TANK
12	A3080001	PLUG, BUTTON (BLK)
13	12606102	BOLT, ROLLER ADJ
14	A3076901	PLUG, BUTTON
15	67001510	SCREW
16	67002227	ROLLER BRACKET ASSY
17	12456801	BRACKET, ROLLER
18	10450602	ROLLER
19	M1205302	RIVET
20	M0286708	NUT, SPEED
21	67004309	INSULATION, WATER TANK
22	67003094	HEATER/HARNESS, FRZ

MTG. REF. MODEL. PARSE665BS0

PUERTA DEL CONGELADOR



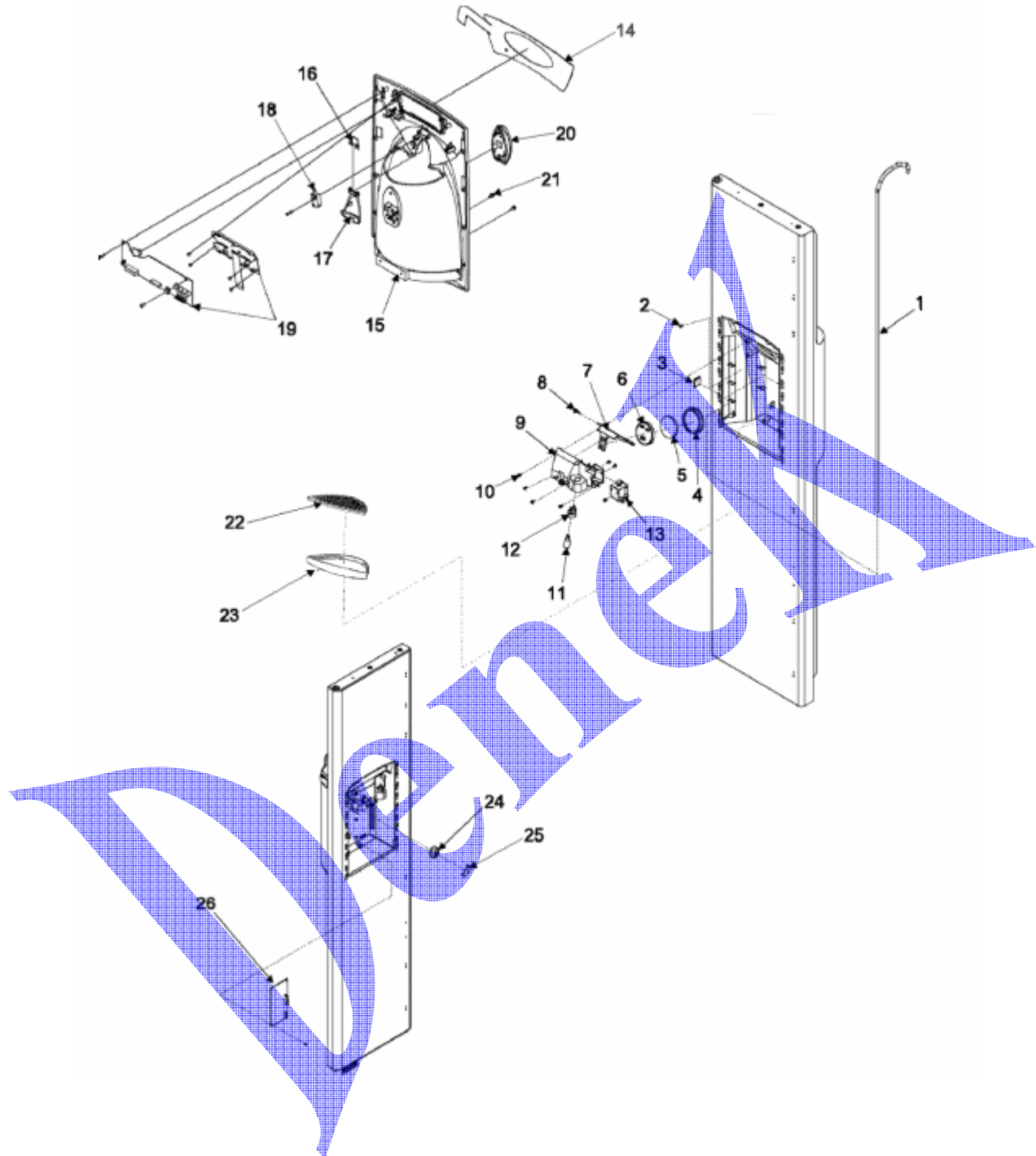
MTG. REF. MODEL. PARSE665BS0

PUERTA DEL CONGELADOR

NUMERO	N. DE PARTE	DESCRIPCION
1	67001891	FZ DR FOAM ASSY (STNLS)
2	12571301B	CLOSURE, DOOR (BLK)
	M0220432	SCREW, TC
3	12395501B	BUSHING, DOOR (BLK)
4	12636401B	STOP, DOOR (BLK)
	M0211018	SCREW, SM
5	M0311607	PLUG, BUTTON (GRY)
6	A3080001	PLUG, BUTTON (BLK)
7	67003967	GASKET, FZ DR (BLK)
8	12556901	BUCKET, UPR FZ DR
9	12569302	BUCKET, FZ TILT xxx
10	12569401	FRAME, TILT BUCKET

MTG. REF. MODEL. PARSE665BS0

PUERTA DEL CONGELADOR EXTERIOR



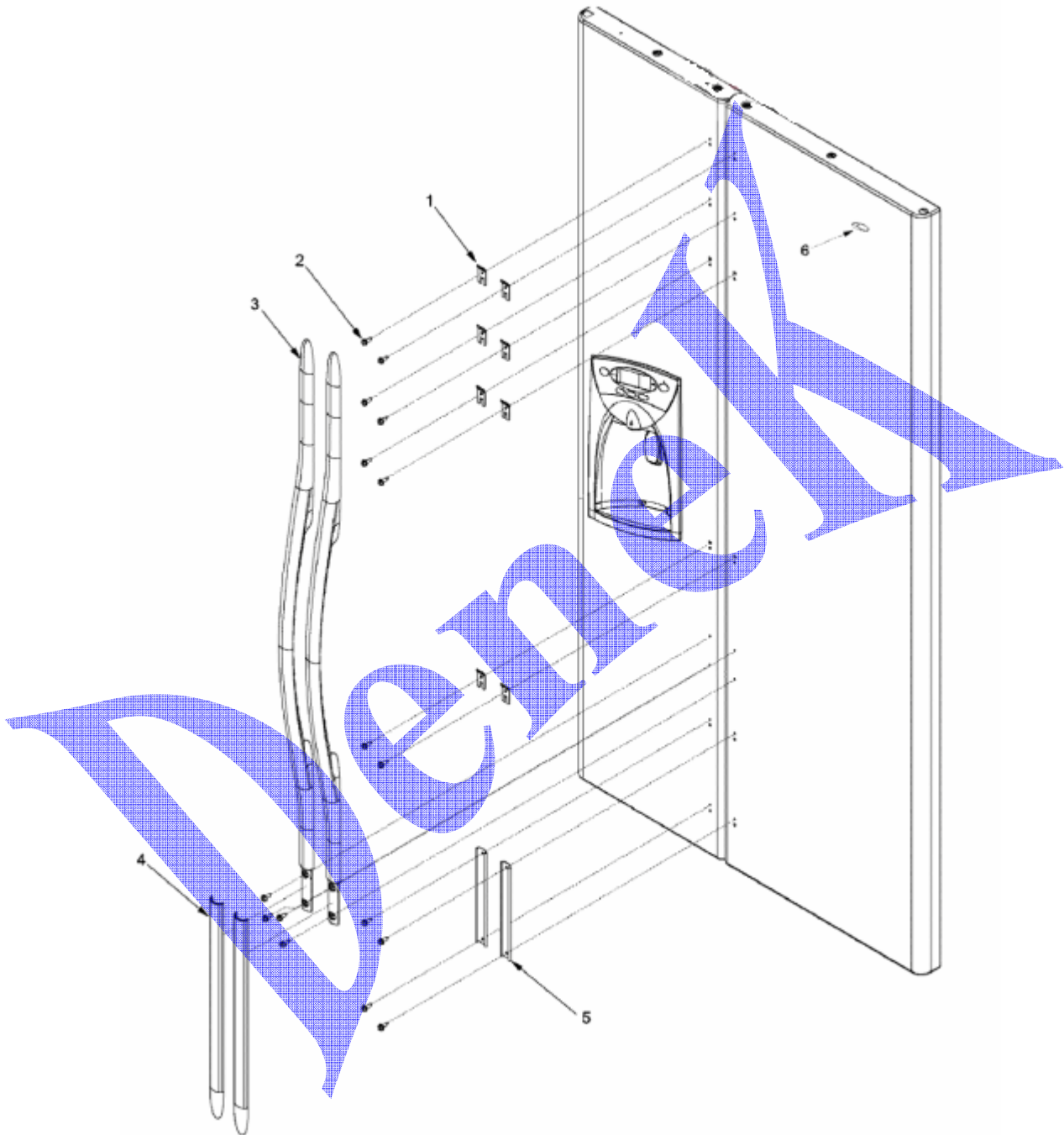
MTG. REF. MODEL. PARSE665BS0

PUERTA DEL CONGELADOR EXTERIOR

NUMERO	N. DE PARTE	DESCRIPCION
1	12615503	ASSY, WATERLINE
2	M0108105	CLAMP, TUBE
3	M0104102	CLIP, CORD
4	12665101	SEAL, ICE CHUTE
5	12563401	INSUL, CHUTE DOORxx
6	12562701	DOOR, ICE CHUTE
7	12563201	HINGE, ICE CHUTE
8	12565502	SPRING, CHUTE DR
9	67001265	EXTENSION, ICE CHUTE
	M0238642	SCREW, SM
10	67002816	CLIP, WATERLINE
11	67001316	BULB, LIGHT
12	12617501	SOCKET, LIGHT
13	12575401	SOLENOID
	M0200314	SCREW, MACH
14	67001176	INSERT, FACADE (BLK)
15	67002614	FACADE, 5 BUTTON (BLK)
16	B8385403	SPRING, SPORTS FILL-RETURN
17	12665402B	BUTTON, SPORTS FILL (BLK)
18	12575501	SWITCH, LIMIT
	M0237945	SCREW, HI/LO
19	12559203	BOARD, CONTROL
20	12593203B	ACTR PAD FRAME ASSY (BLK)
21	M0238616	SCREW, SM
22	67002382	GRILLE, SUMP (BLK)
23	67002806	TRAY, SUMP (BLK)
24	12584401	SPEAKER, FACADE
25	12619601	CAP, SPEAKER
26	12550301	BOARD, H.V. POWER
	M0216515	SCREW

MTG. REF. MODEL. PARSE665BS0

AGARRADERAS



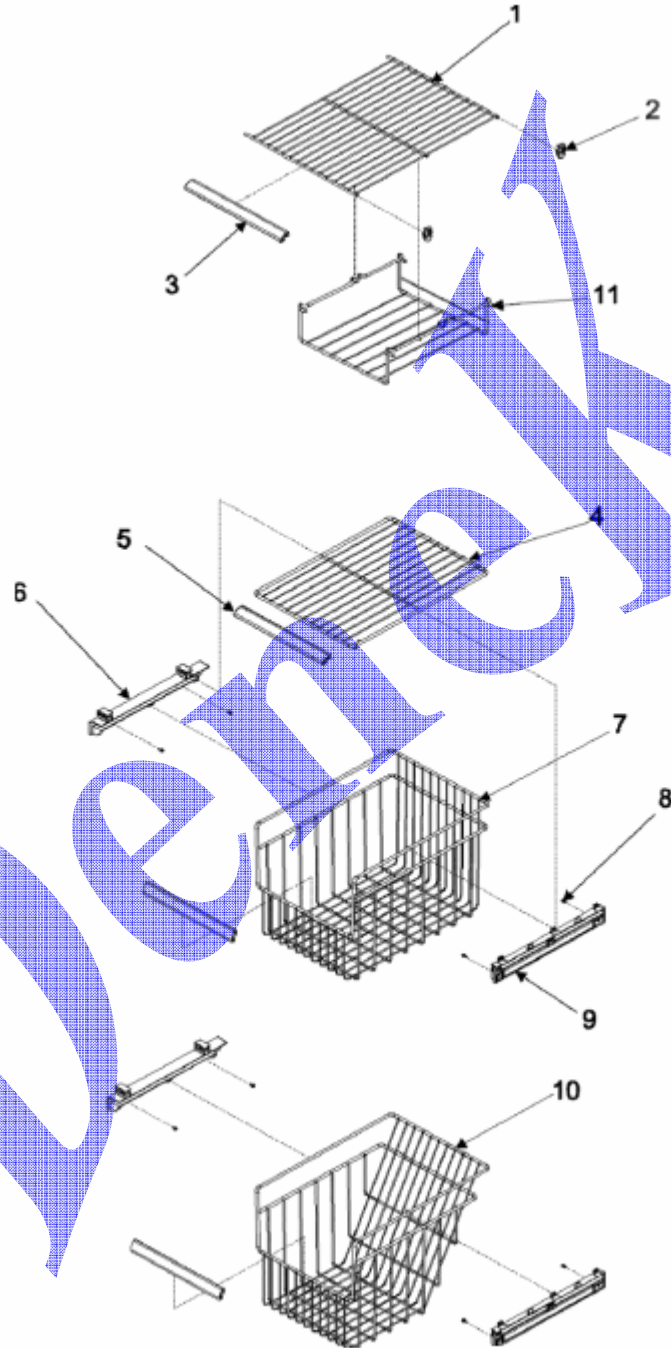
MTG. REF. MODEL. PARSE665BS0

AGARRADERAS

NUMERO	N. DE PARTE	DESCRIPCION
1	12619202	CLIP, DOOR HANDLE
2	M0238616	SCREW, SM
3	12618401S	CAP, HANDLE (STNLS)
	12618301S	HANDLE, DOOR (STNLS)
6	Y12528501	NAMEPLATE (AMANA PLUS)

MTG. REF. MODEL. PARSE665BS0

REJILLAS DEL CONGELADOR



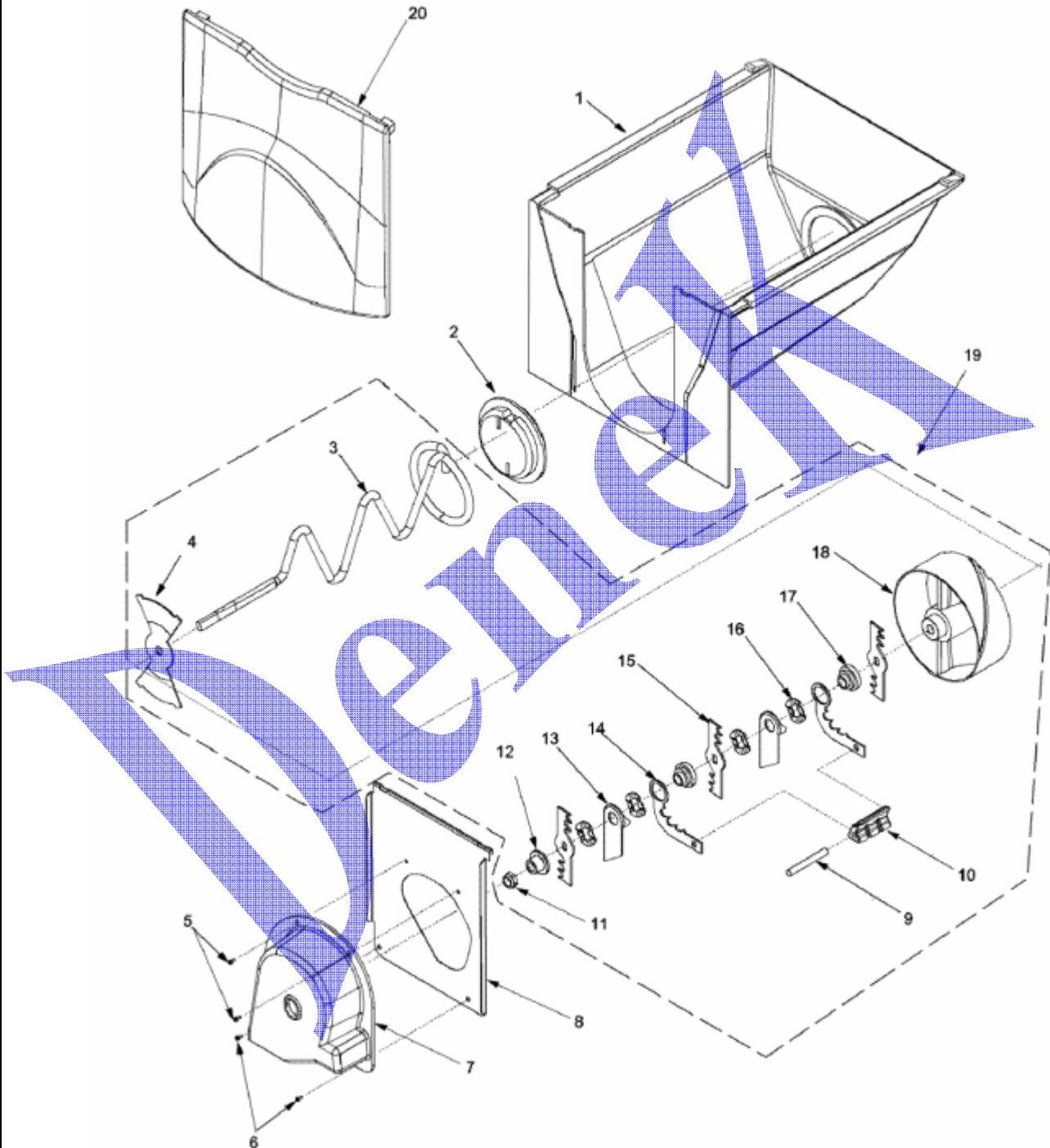
MTG. REF. MODEL. PARSE665BS0

REJILLAS DEL CONGELADOR

NUMERO	N. DE PARTE	DESCRIPCION
1	12570601	SHELF, UPR FZ
2	C8973701	PLUG, FRZ SHELF SUPPORT
	C8973801	SUPPORT, FRZ SHELF
3	12314102	TRIM, BASKET/SHELF
4	12570501	SHELF, LWR FZ
5	12314101	TRIM, BASKET/SHELF
6	12045102	RAIL, SHELF (LT)
7	12570401	BASKET, UPR FZ
8	M0211018	SCREW, SM
9	10972802	RAIL, SHELF (RT)
10	12570301	BASKET, LWR FZ
11	12585601	SHELF, HANGING WIRE

MTG. REF. MODEL. PARSE665BS0

CHAROLA DE HIELOS



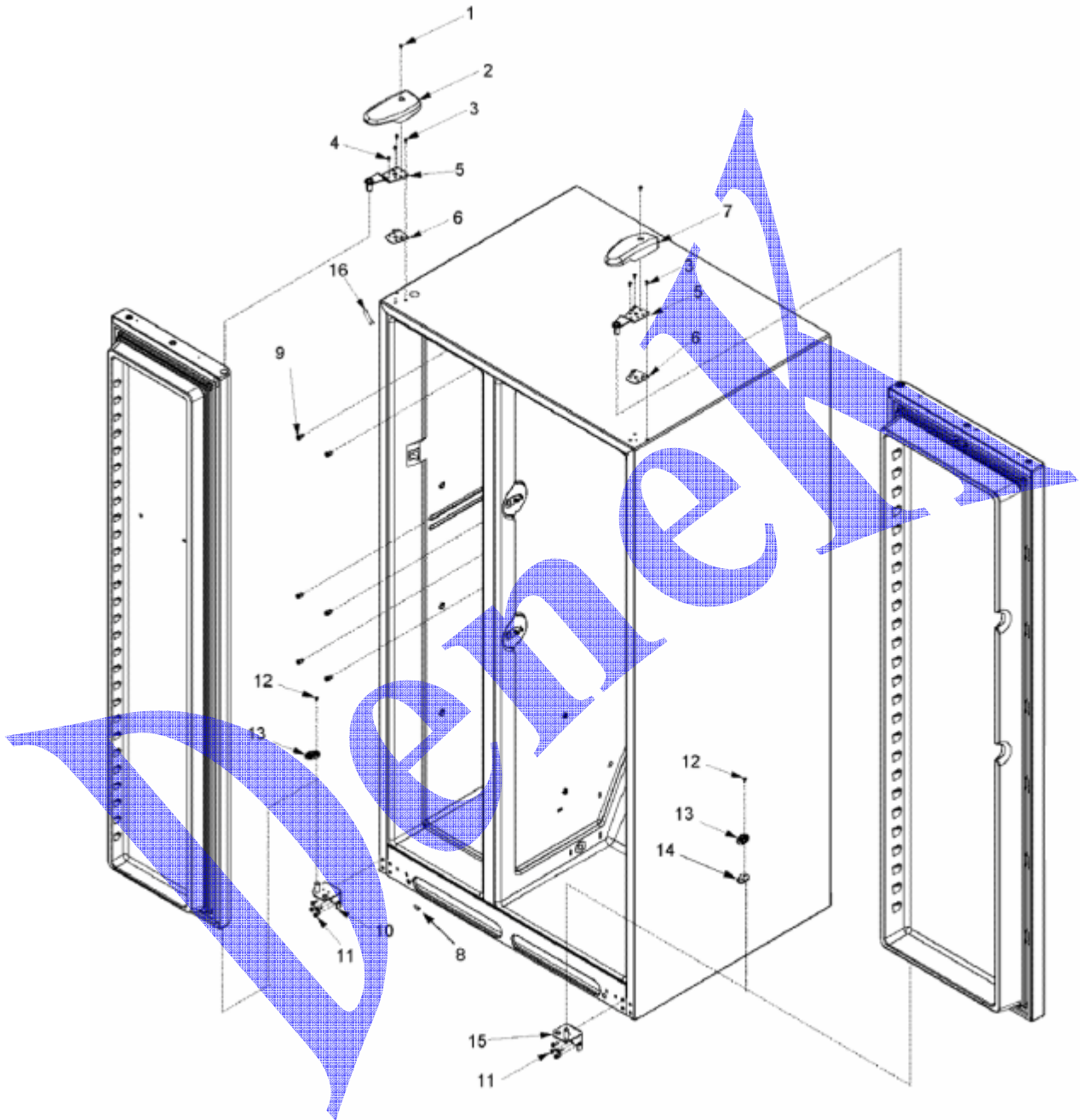
MTG. REF. MODEL. PARSE665BS0

CHAROLA DE HIELOS

NUMERO	N. DE PARTE	DESCRIPCION
1	12517801	BUCKET, ICE CRUSH
2	D7749401	CAP. HELIX END
3	10114401	AGITATOR, ICE
4	10113801	BAR, CRSH ICE BUCKET
5	M0231704	SCREW, TF
6	M0238642	SCREW, SM
7	67002271	COVER, BLADE
8	10115001	FRONT, ICE CRUSHER
9	M1200108	PIN, ROLL
10	10114101	ANCHOR, BLADE
11	M0223101	NUT, LOCKING
12	10113901	SPACER, COVER
13	10275201	DAMPER, ICE
14	10114601	BLADE, STATIC
15	10114501	BLADE, ROTATING
16	10275101	WASHER, WAVED
17	10114301	WASHER STEPPED
18	67002052	WHEEL, CRSH ICE
19	R0156803	CRUSHED ICE AGITATOR ASSY
20	12571604	FRONT, ICE BUCKET

MTG. REF. MODEL. PARSE665BS0

BISAGRAS



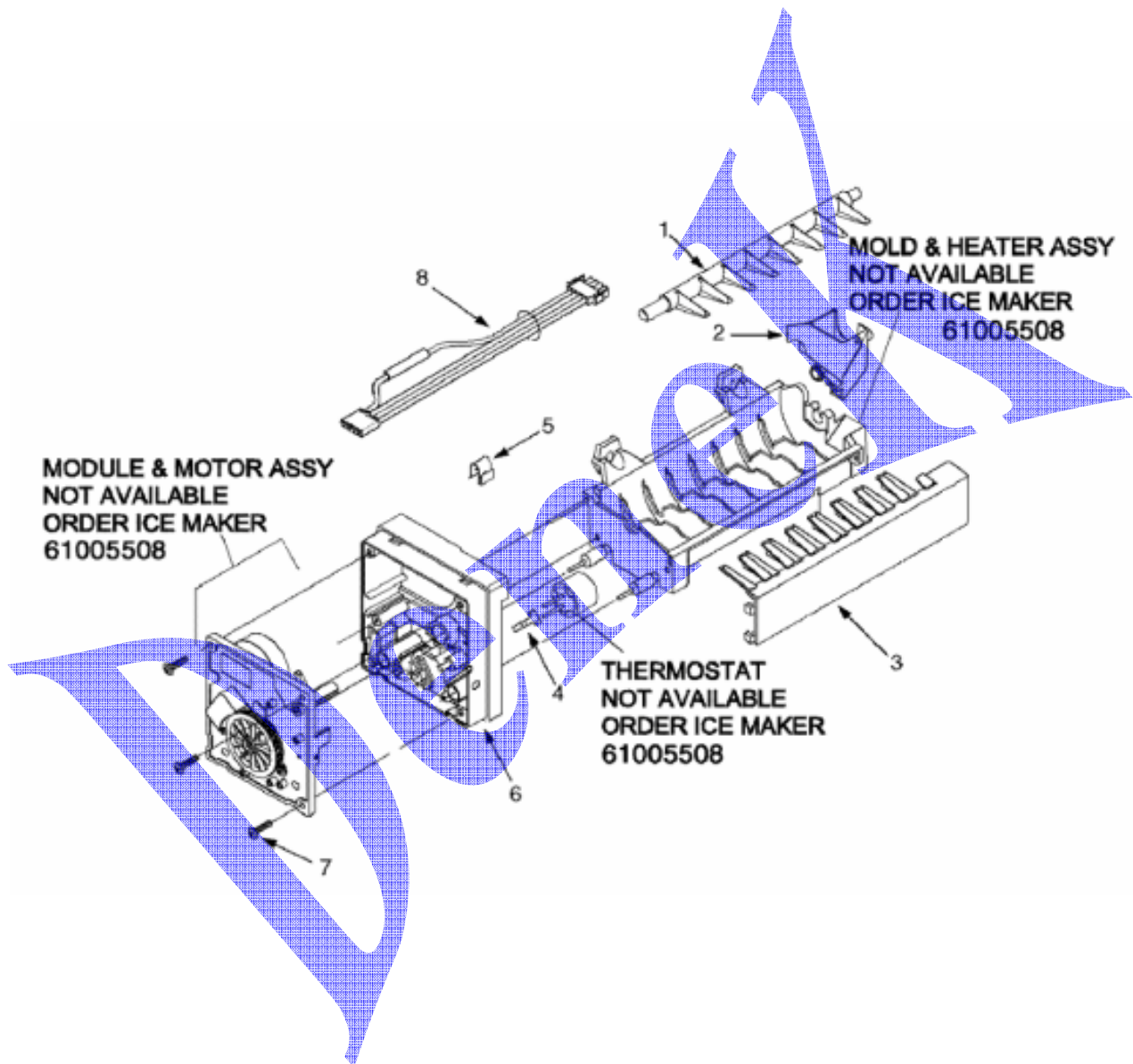
MTG. REF. MODEL. PARSE665BS0

BISAGRAS

NUMERO	N. DE PARTE	DESCRIPCION
1	M0202336	SCREW, MACH
2	12684201B	COVER, TOP HINGE (LT-BLK)
3	M0238731	SCREW, TF
4	M0202321	SCREW, MACH
5	12566603ED	HINGE, TOP (BLK)
6	12695601	SHIM, TOP HINGE
7	12684202B	COVER, TOP HINGE (RT-BLK)
8	B5706903	TUBE, UNION
9	M0581003	GROMMET, SCREW
10	12570905ED	HINGE, BOTTOM (LT-BLK)
11	67006715	SCREW, SM
12	M0220431	SCREW, TC
13	12431302	CLOSURE, DOOR (BLK)
14	10361806	SHIM, DR CLOSURE (BLK)
15	12570906ED	HINGE, BOTTOM (RT-BLK)
16	67003485	COVER, CORNER (BLK)

MTG. REF. MODEL. PARSE665BS0

ICE MAKER



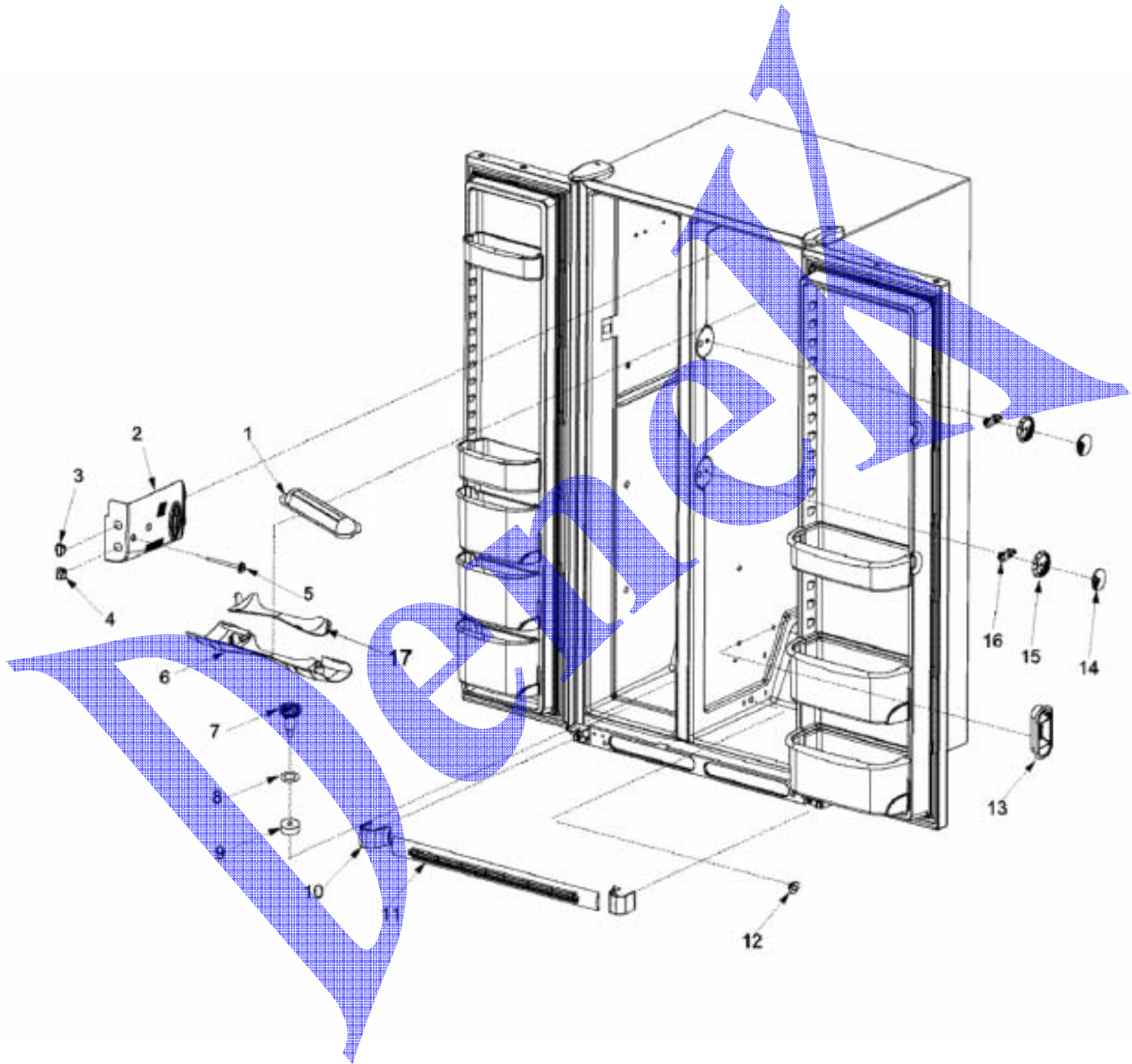
MTG. REF. MODEL. PARSE665BS0

ICE MAKER

NUMERO	N. DE PARTE	DESCRIPCION
1	95101-1	EJECTOR, ICE
2	95100-1	INLET, WATER
3	95102-1	STRIPPER, ICE
4	95104-1	RETAINER, THERMOSTAT
5	3370225	SCREW, BRACKET
	95107-1	BRACKET, MODULE & HEATER
6	95103-1	SUPPORT, MODULE HOUSING
7	95106-1	SCREW
8	67002124	HARNESS, ICE MAKER
9	R0131235	ICE MAKER HOOK UP KIT
10	10244904	COUPLING

MTG. REF. MODEL. PARSE665BS0

LUCES INTERIORES



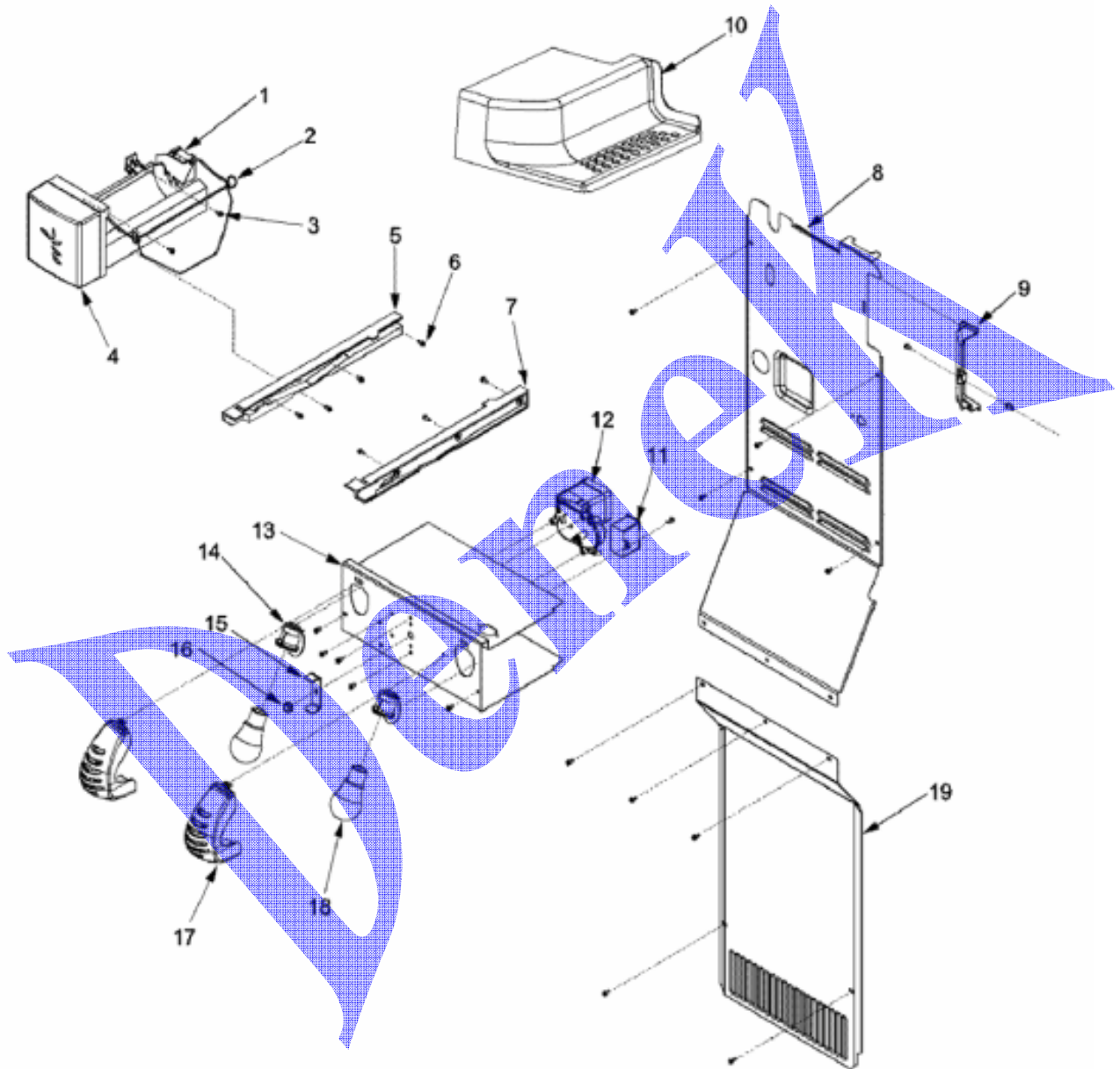
MTG. REF. MODEL. PARSE665BS0

LUCES INTERIORES

NUMERO	N. DE PARTE	DESCRIPCION
1	12664701	INSULATION, LT HOUSING
	67002825	HOUSING, UP REF LIGHT
2	67003342	COVER, CONTROL
3	12620902	KNOB, CONTROL
4	12620901	KNOB, CONTROL
5	M0231426	SCREW
6	12602907	COVER, LIGHT
7	12456901	FUNNEL, DRAIN
8	M0500703	SEAL, O RING
9	B8381501	GASKET, DRAIN TUBE
10	12561901B	COVER, LWR HINGE (BLK)
11	67002224	TOE GRILLE ASSY (BLK)
	12627302	CLIP, TOE GRILLE
12	67005933	PLUG, AIR TUNNEL
13	12634801	GRILLE, RETURN AIR
14	67004379	GRILLE, CHILLER
15	67002225	CONTROL, CHILLER
16	12572701	CLIP, CHILLER CONTROL
17	12677801	LENS, LIGHT

MTG. REF. MODEL. PARSE665BS0

ICE MAKER Y LUCES



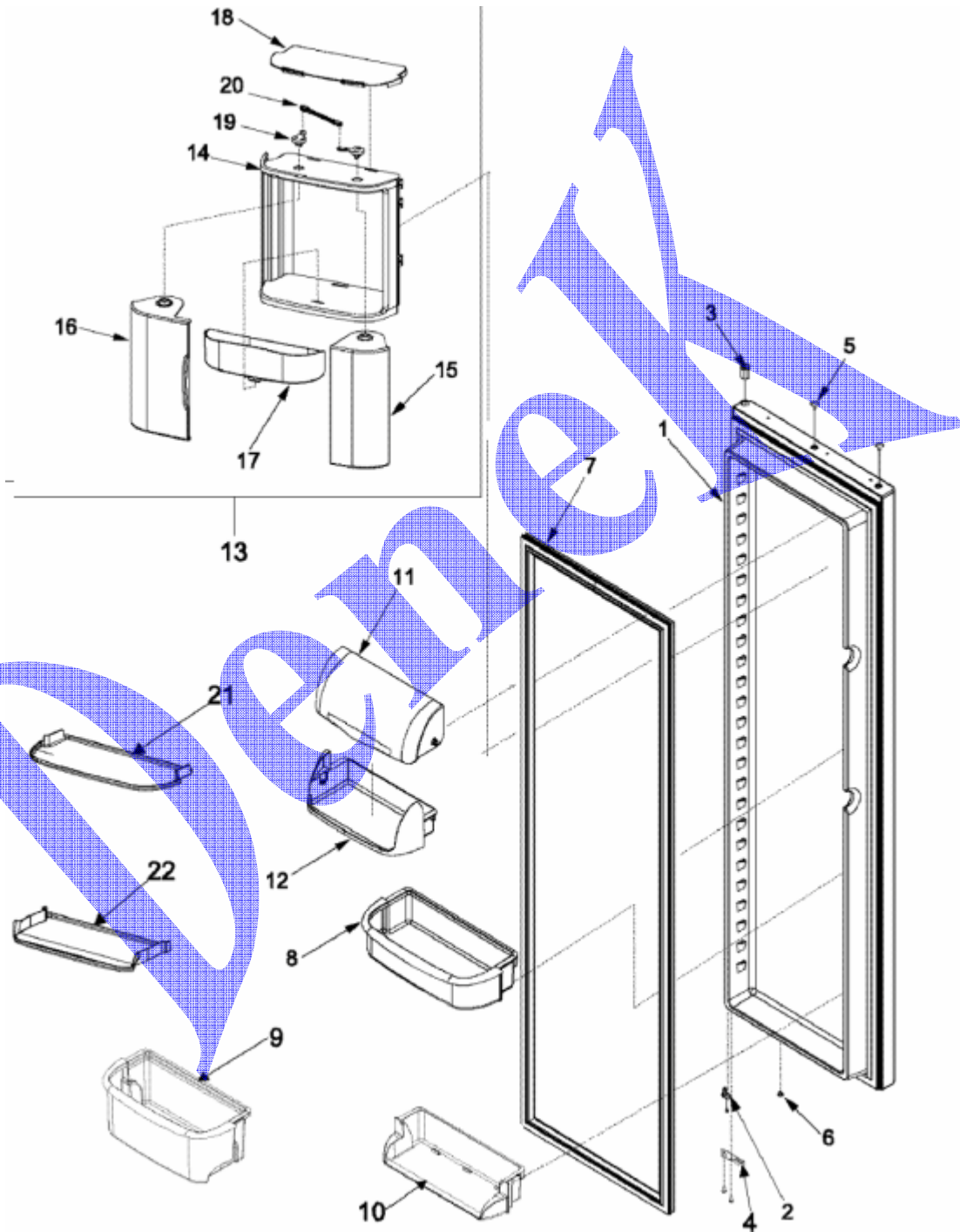
MTG. REF. MODEL. PARSE665BS0

ICE MAKER Y LUCES

NUMERO	N. DE PARTE	DESCRIPCION
1	61005508	ICE MAKER ASSY.
2	12671401	ASSY. IM ARM/WIRE
	2256087	BRKT, ICE MAKER
3	M0211019	SCREW, SM
4	67004710	COVER, ICE MAKER
5	D7849906	GLIDE, FRZ (LT)
6	M0213530	SCREW, SM (STNLS)
7	D7849907	GLIDE, FRZ (RT)
8	12002160	BACK, INNER FZ
	M0238616	SCREW, SM
9	12583101	COVER, SUPPLY AIR
	M0238616	SCREW, SM
	M0580205	GROMMET, SCREW
10	12582101	SHELF, QUICK CHILL
11	C8931612	CAPACITOR
	M0226528	SCREW, TC
12	67002789	MOTOR, AUGER
	M0226528	SCREW, TC
13	12561701	COVER, AUGER MOTOR
	M0238616	SCREW, SM
14	67002216	SOCKET, LIGHT
15	10114901	DRIVER (ICE MAKER)
16	M0223101	NUT, LOCKING
17	12583001	SHIELD, FZ LIGHT
18	A0282803	BULB, LIGHT (40 WATT)
19	12403401	COVER, EVAP
	M0238616	SCREW, SM

MTG. REF. MODEL. PARSE665BS0

PUERTA DEL ENFRIADOR



MTG. REF. MODEL. PARSE665BS0

PUERTA DEL ENFRIADOR

NUMERO	N. DE PARTE	DESCRIPCION
1	12584701SQ	REF DR FOAM ASSY (STNLS)
2	12113204	CLOSURE, DOOR (BLK)
	M0220432	SCREW, TC
3	10961002	BUSHING, DOOR (BLK)
4	12636401B	STOP, DOOR (BLK)
	M0211018	SCREW, SM
5	M0311607	PLUG, BUTTON (GRY)
6	A3080001	PLUG, BUTTON (BLK)
7	12591501B	GASKET, REF DR (BLK)
8	12556401	BUCKET, GALLON
9	12568601	BUCKET, GALLON TILT
10	12568801	FRAME, TILT BUCKET
11	67001325	DOOR, DAIRY
12	67002304	TRAY, DAIRY
13	67003177	CHILLER ASSY (MINI)
	12590201	CHILLER ASSY (LARGE)
14	67002294	FRAME, LARGE CHILLER
	67002409	FRAME, MINI CHILLER
15	67002297	DOOR, LARGE CHILLER (RT)
	67002411	DOOR, MINI CHILLER (RT)
16	67004268	DOOR, LARGE CHILLER (LT)
	67002410	DOOR, MINI CHILLER (LT)
17	67002296	TRAY, CHILLER
18	67002291	COVER, CHILLER
19	67002293	LINKAGE, CHILLER
20	67002292	LINKAGE, CTR CHILLER
21	67003210	GRIP PAD (GALLON BUCKET)
22	67003209	GRIP PAD (TILT BUCKET)