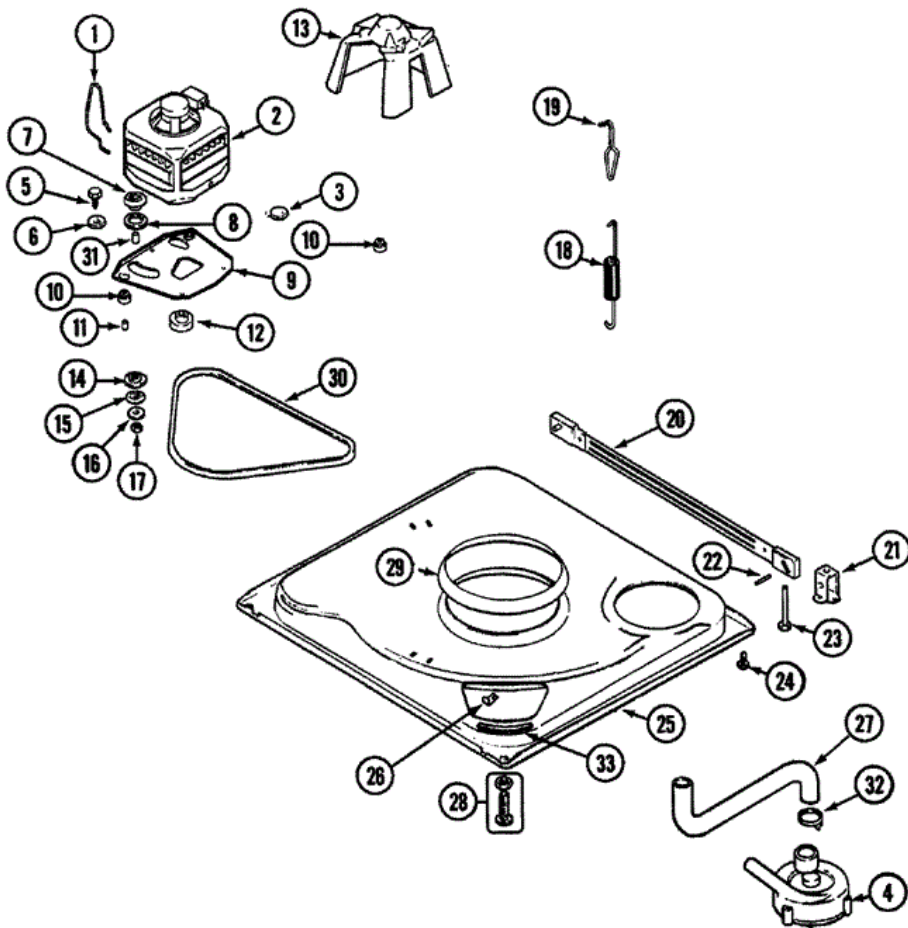


Distribuidor Autorizado

SurteRápido.com

Venta de Refacciones
Electrodomesticas

PAV2200AWW BASE



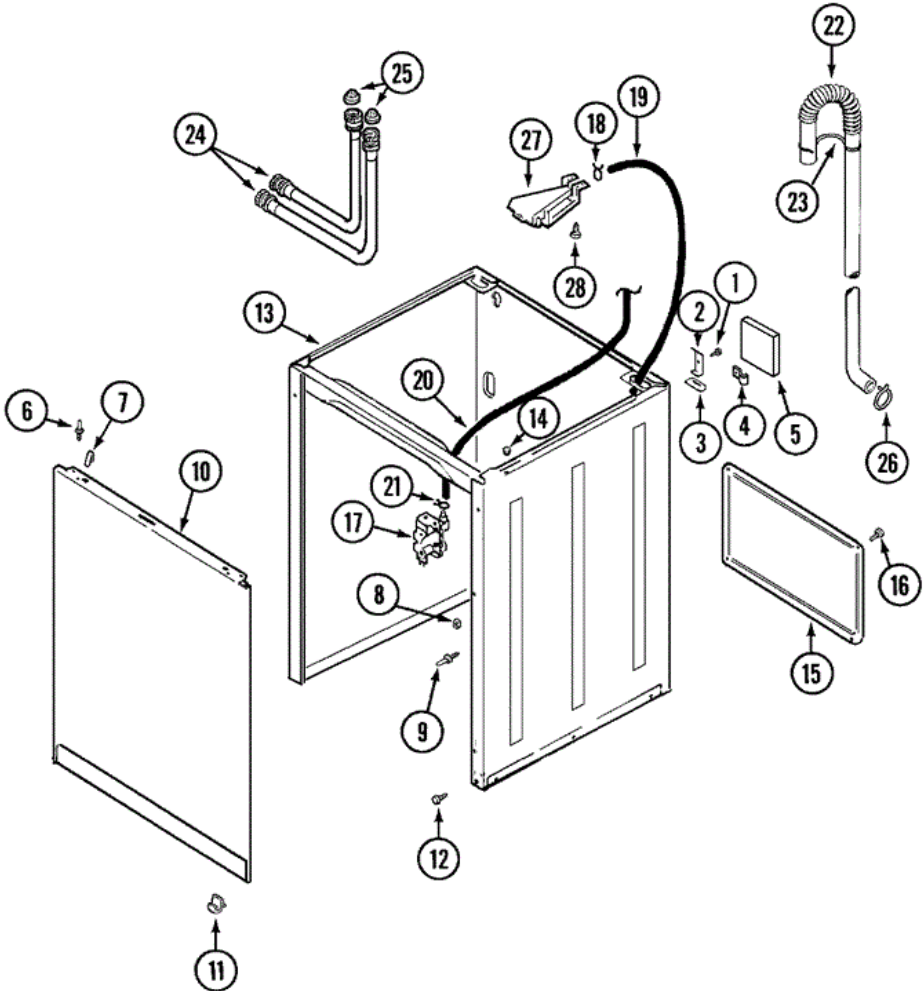


PAV2200AWW BASE

1	21001110	10	SPRING, MOTOR PIVOT
2	21001516	10	MOTOR & PULLEY ASSY.
3	21001109	10	SLIDE, FOOT
4	35-2099	10	PUMP ASSY (COMPLETE)
5	25-7833	10	SCREW
6	25-7834	10	WASHER
7	33-9946	10	ISOLATOR, MOTOR
8	35-3570	10	WASHER, MOTOR PIVOT
9	21001111	10	PLATE, MOTOR
10	35-3646	10	ISOLATOR, MOTOR PLATE
11	25-7831	10	SPACER
12	21001506	10	PULLEY, MOTOR-60 HZ
12	25-7117	10	SET SCREW
13	22002721	10	SHIELD, MOTOR
14	35-3571	10	SLIDE, MOTOR PIVOT
15	33-9967	10	WASHER, MOTOR ISOLATOR
16	25-7047	10	WASHER, FLAT
17	25-7325	10	NUT, MOTOR PLATE ASY TO MOTOR
18	21001598	10	SPRING, SUSPENSION
19	21001166	10	HOOK, SUSPENSION SPRING
20	35-2049	10	BAR, STABILIZER (WITH GUIDE)
21	35-2046	10	BRACKET, STABILIZER
22	35-2052	10	PIN, STABILIZER
23	35-3020	10	FOOT PAD ASSY. (REAR)
24	31001041	10	SCREW
25	21001169	10	BASE
26	25-7845	10	SPEEDNUT
27	35-3584	10	HOSE, TUB TO PUMP
28	35-3507	10	FOOT & PAD ASSY
29	21001161	10	SNUBBER
30	21352320	10	BELT, DRIVE
30	35-2512	10	BELT SHIELD
31	25-7830	10	SPACER

32	25-6068	10	CLAMP, HOSE
33	35-2065	10	PAD, MOTOR PLATE

PAV2200AWW GABINETE

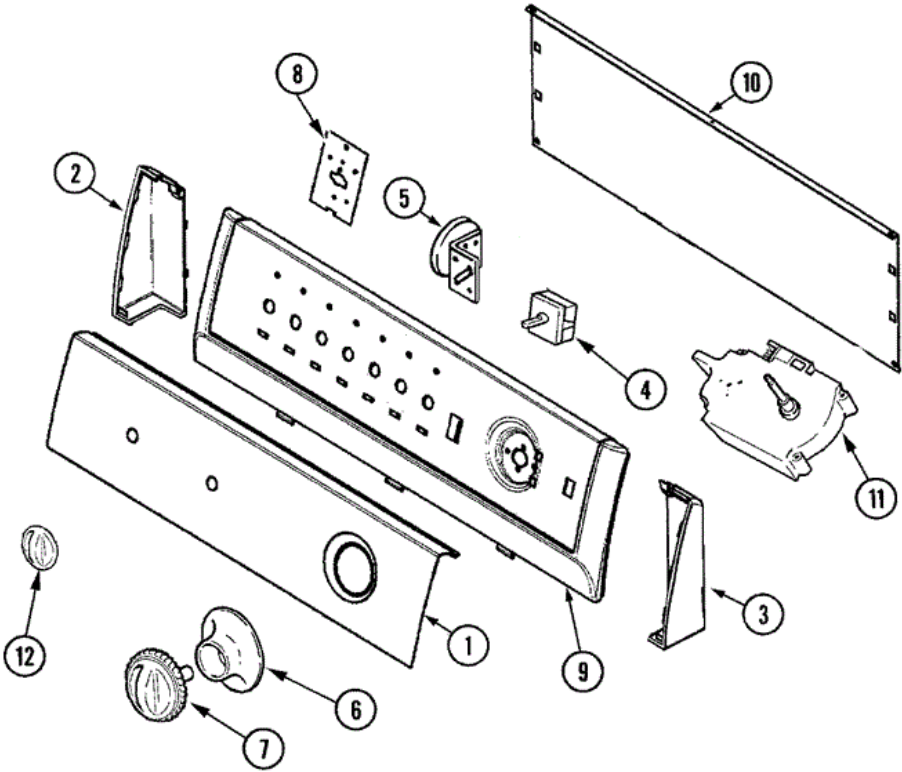




PAV2200AWW GABINETE

1	25-7893	10	SCREW
2	35-2846	10	HINGE, CABINET TOP
3	35-4128	10	PAD, HINGE
4	25-7027	10	CLIP, WIRING
5	35-0706	10	PAD, FOAM
6	53-0643	10	PIN, LOCATOR
7	25-7220	10	CLIP, CABINET TOP
8	25-0224	10	NUT, LOCATOR PIN
9	53-0200	10	SLEEVE, LOCATOR PIN
9	53-0643	10	PIN, LOCATOR
10	21001281	10	DAMPER, SOUND PAD
10	35-2084	10	PANEL, FRONT (WHT)
11	25-7732	10	SCREW
11	53-0120	10	CLIP, FRONT PANEL
12	35-4129	10	BUMPER, CABINET
13	35-2106	10	CABINET ASSY. (WHT)
14	33-2653	10	BUMPER, CABINET
15	35-2108	10	SHIELD, REAR(NLA, ORDER CAB KIT)
16	25-7732	10	SCREW
17	21001396	10	VALVE, WATER (120V)
18	25-7867	10	CLAMP
19	35-2378	10	HOSE, FLUME/DIVERter (RUBBER)
20	21001060	10	HOSE, PRESSURE SWITCH
21	25-7796	10	CLAMP, PRESSURE SWITCH HOSE
22	21001512	10	HOSE, DRAIN (CUFF)
23	33-9537	10	RETAINER
24	33-7891	10	HOSE, 4` INLET
24	35-0874	10	HOSE, INLET
25	33-4264N	10	STRAINER & WASHER KIT
26	25-7080	10	CLAMP, DISCHARGE HOSE
27	35-2051	10	FLUME, WATER INLET
28	25-3092	10	SCREW

PAV2200AWW TABLERO

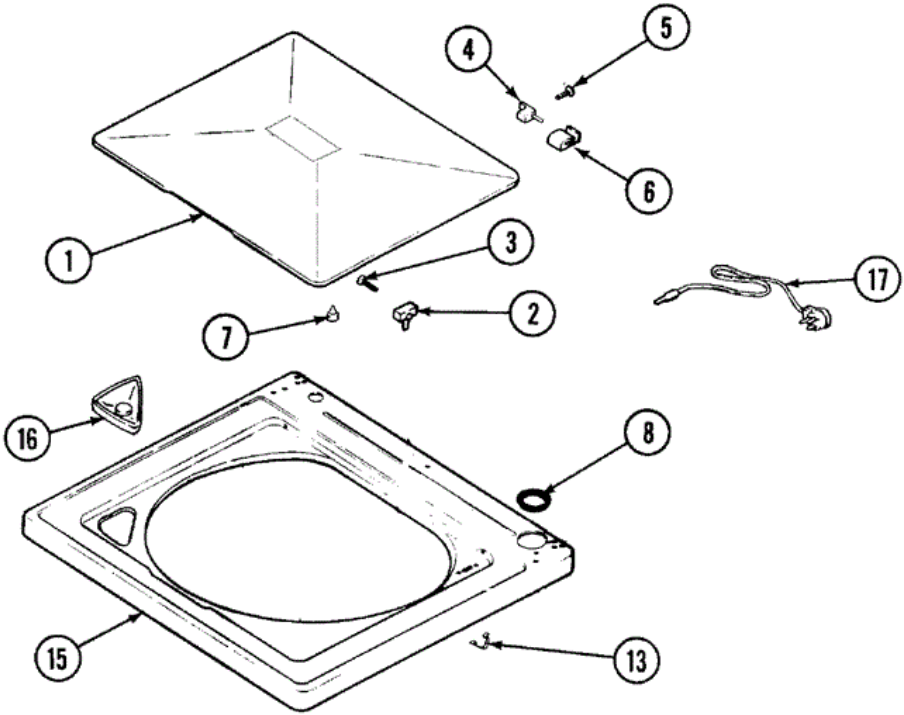
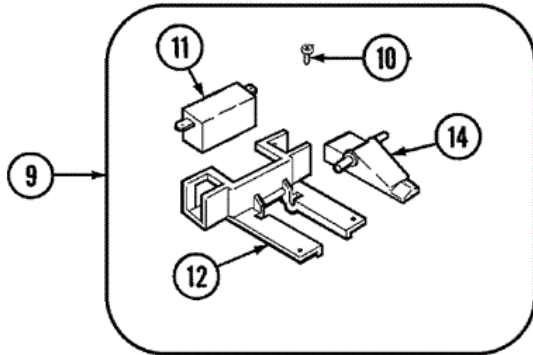




PAV2200AWW TABLERO

1	21001524	10	PANEL, CONTROL (WHT)
2	21001519	10	ENDCAP (WHT-LT)
2	25-3092	10	SCREW
3	21001523	10	ENDCAP (WHT-RT)
3	25-3092	10	SCREW
4	21001226	10	SWITCH, WATER TEMP. 4 POSITION
4	25-3092	10	SCREW
5	21001554	10	SWITCH, WATER LEVEL
5	25-3092	10	SCREW
6	21001600	10	SKIRT, TIMER (WHT)
7	21001594	10	KNOB, TIMER (WHT)
8	21001517	10	SHIELD, CONTROL (1 POS.)
8	31001193	10	PAD, SHIELD
8	53-2504	10	SPACER, CONTROL SHIELD
9	21001604	10	FRAME, CONTROL PANEL (WHT)
10	21001527	10	SHIELD, REAR (BACK PANEL)
10	25-3092	10	SCREW
10	25-3457	10	SCREW, SEMS
11	21001522	10	TIMER
11	25-3092	10	SCREW
12	21001525	10	KNOB, SELECTOR (WHT)
13	21001419	10	MANUAL, LAUNDERING TIPS
13	21001571	10	MANUAL, USE & CARE
13	21001717	10	MANUAL, USE & CARE (TRILINGUAL)
15	12002417	10	WIRE KIT (HERRIN LAUNDRY)

PAV2200AWW TAPA

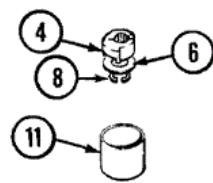
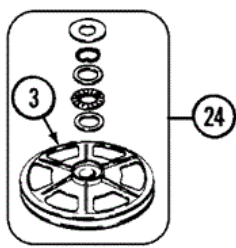
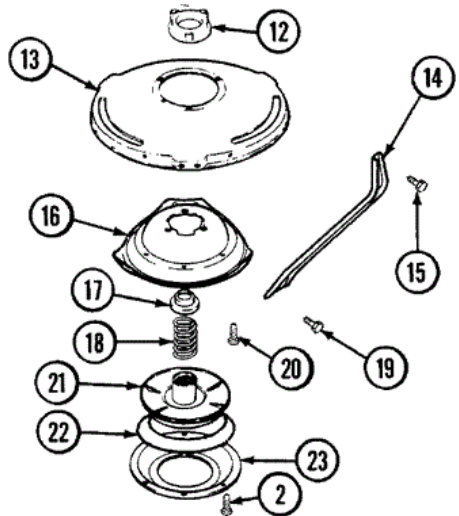
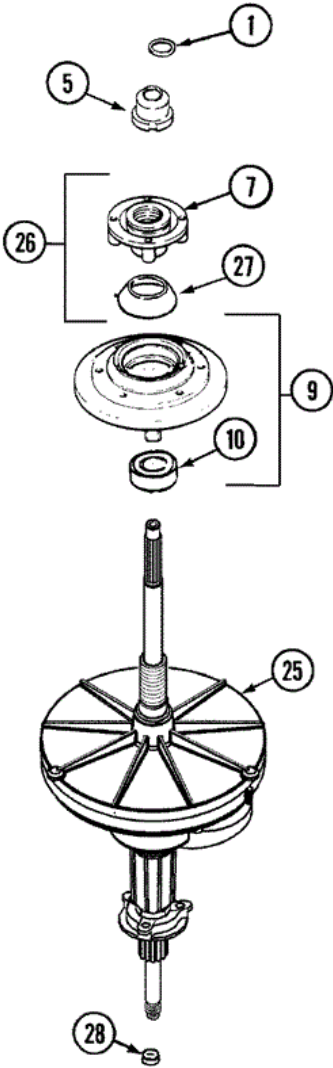




PAV2200AWW TAPA

1	35-2026	10	LID (WHT) (DOOR)
2	43-0057	10	ACTUATOR, DOOR SWITCH
3	25-7438	10	SCREW
4	35-2045	10	PIN, HINGE
5	25-7893	10	SCREW
6	35-2044	10	HINGE, LID
7	35-0581	10	BUMPER, DOOR (LID)
8	35-2063	10	BUSHING, INSULATOR
9	21001137	10	LID SWITCH ASSY.-W/LEADS
10	21001136	10	SCREW, SWITCH/HOUSING
11	21001148	10	SWITCH, LID/DOOR SAFETY SPIN
12	21001135	10	HOUSING, LID SWITCH
13	25-7878	10	CLIP
14	21001134	10	LEVER, LID SWITCH
15	21001602	10	TOP, CABINET (WHT)
16	21001597	10	DISPENSER, BLEACH
17	21001592	10	CORD, POWER

PAV2200AWW TRANSMISION

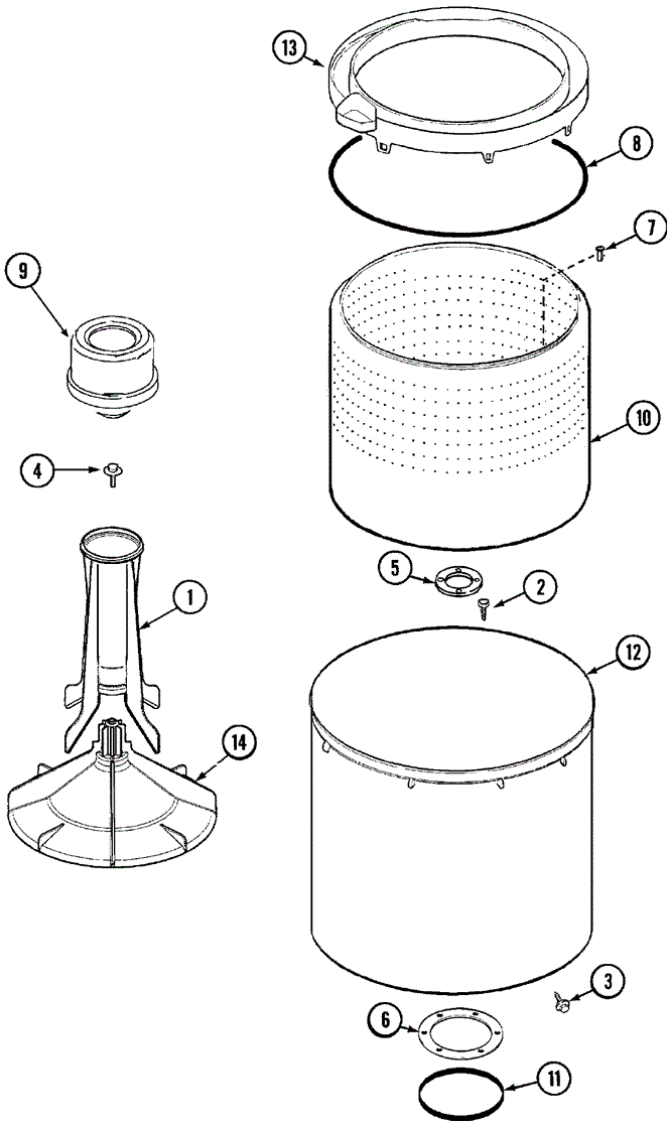




PAV2200AWW TRANSMISION

1	25-7941	10	``O`` RING
2	21001065	10	SCREW,NO.10-24X.50 HXNIBHD
3	35-3829	10	PULLEY, DRIVE
4	LA-2007	10	CAM REPLACEMENT KIT
5	21001533	10	SEAL NUT ASSEMBLY
6	35-2082	10	WASHER,1.25ODX.530IDX.062
6	35-2132	10	WASHER,1.25ODX.530IDX.032
7	21001515	10	BASKET HUB ASSEMBLY
8	25-7854	10	RING, RETAINING
9	21001508	10	HOUSING/BEARING ASSY.
10	35-2205	10	BEARING, SPIN
11	35-2007	10	CAP, DUST
12	21001511	10	HOUSING/LWR.BEARING ASSY.
12	35-2205	10	BEARING, SPIN
13	21001518	10	SUPPORT, TUB
14	21001532	10	BRACE, TUB
15	25-7895	10	SCREW, SUSP HSG TO LWR BRG ASY
16	21001163	10	HOUSING, SUSPENSION
17	35-2017	10	RETAINER, BRAKE SPRING
18	31001285	10	SPRING, BRAKE
19	25-7930	10	SCREW 5/16-18X3/4
20	21001509	10	SCREW,HIGH PERFORMANCE PLASTIC
21	35-2948	10	BRAKE ROTOR & LINING ASSY
22	21001161	10	SNUBBER
23	35-2018	10	STATOR, BRAKE
24	12500036	10	THRUST BEARING KIT
25	21001536	10	TRANS. ASSY.(W/O SEAL/BEARING)
26	12001598	10	TUB SEAL ASSEMBLY
27	35-2974	10	TUB SEAL/HUB ASSY (HT TRANS)
28	35-2010	10	SEAL,TRANSMISSION HOUSING(LIP)

PAV2200AWW TINAS





PAV2200AWW TINAS

1	21001521	10	TOP, AGITATOR
2	21001510	10	SCREW
3	25-7953	10	SCREW
4	25-7948	10	SCREW, AGITATOR RETENTION
5	35-3685	10	GASKET, BASKET TO CENTERPOST
6	35-3686	10	GASKET, TUB TO HOUSING
7	25-7967	10	SCREW, SHOULDER
8	35-2328	10	SEAL, TUB TOP
9	21001905	10	DISPENSER, FABRIC (ONE PIECE)
10	21001529	10	BASKET ASSEMBLY (PLASTIC)
11	35-2978	10	SEAL, TUB/HOUSING
12	35-3700	10	TUB ASSEMBLY (PLASTIC)
13	21001531	10	TOP, TUB (PLASTIC)
14	21001530	10	BASE, AGITATOR