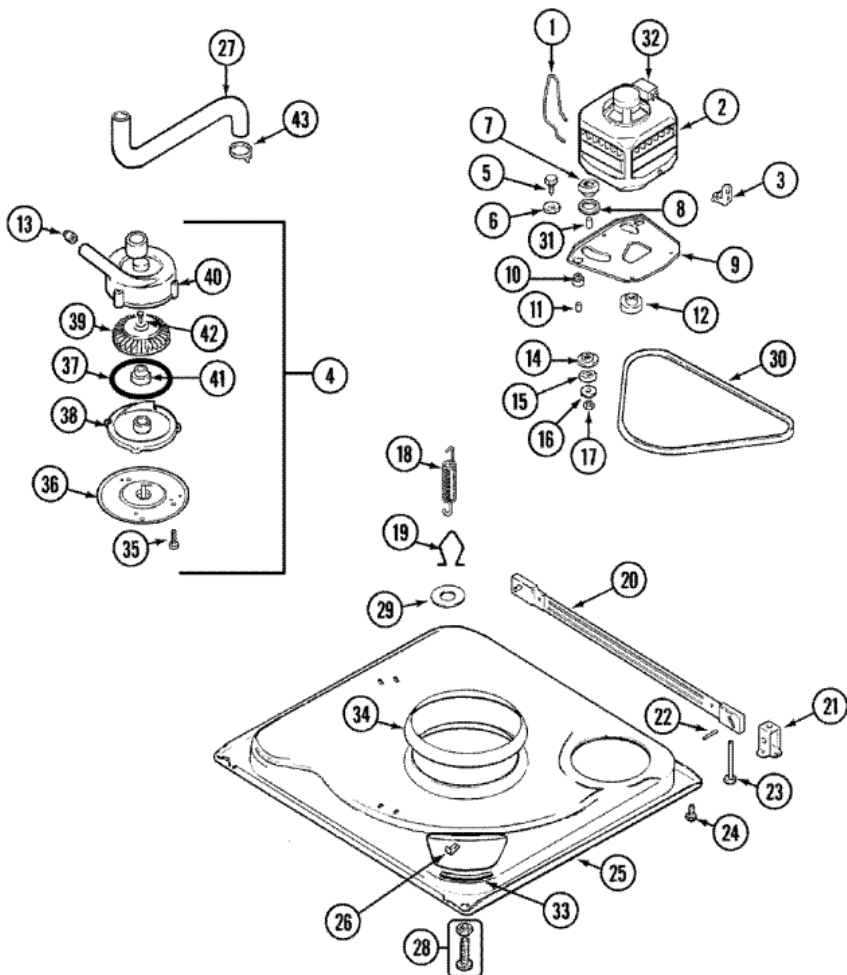


Distribuidor Autorizado

SurteRápido.com

Venta de Refacciones
Electrodomesticas

PAV3000AWW MOTOR



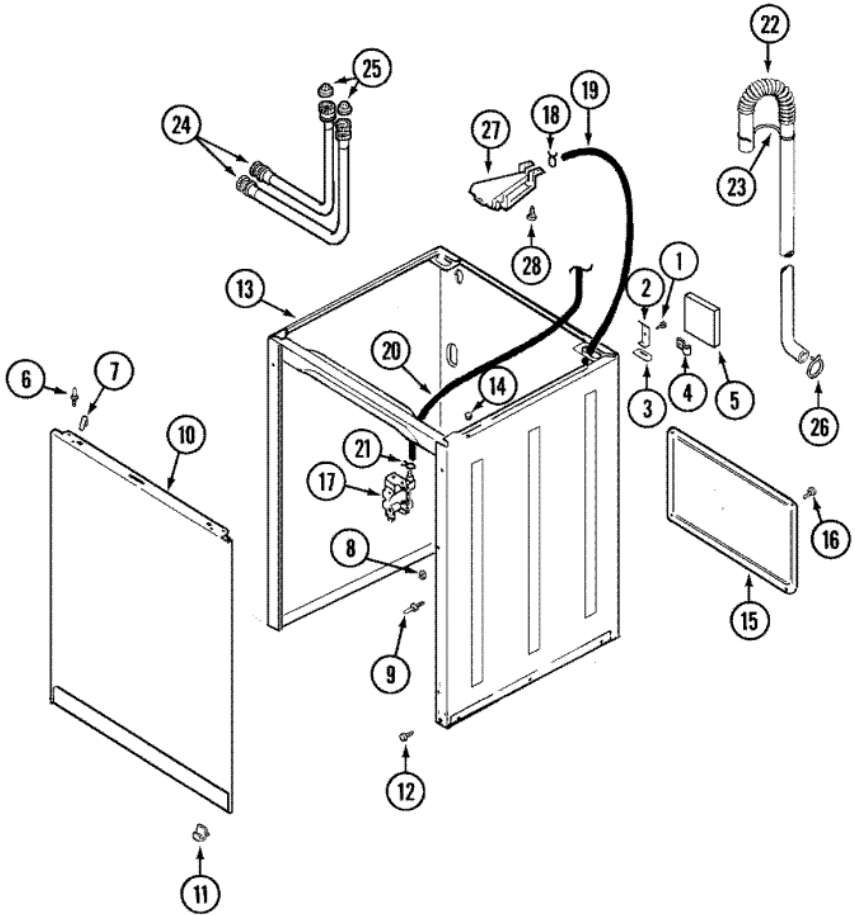


PAV3000AWW MOTOR

1	22004376	SPRING, MOTOR PIVOT
2	21002026	MOTOR (3 SPEED)
3	21001486	SLIDE, FOOT (S/P)
4	21001906	PUMP ASSY (COMPLETE)
5	25-7833	SCREW (S/P)
6	25-7834	WASHER (S/P)
7	33-9946	ISOLATOR, MOTOR
8	35-3570	WASHER, MOTOR PIVOT (S/P)
9	21001783	PLATE, MOTOR
10	35-3646	ISOLATOR, MOTOR PLATE (S/P)
11	25-7831	SPACER (S/P)
12	21001108	PULLEY, MOTOR (PLASTIC)
12	25-7117	SET SCREW (S/P)
13	35-2344	RESTRICTOR, FLOW (S/P)
14	35-3571	SLIDE, MOTOR PIVOT (S/P)
15	33-9967	WASHER, MOTOR ISOLATOR (S/P)
16	25-7047	WASHER, FLAT (S/P)
17	21002009	NUT, MOTOR PLATE ASY TO MOTOR (S/P)
18	22002922	TOOL, 6 POINT SPRING
18	21001165	SPRING, SUSPENSION
19	21001166	HOOK, SUSPENSION SPRING
20	21001881	BAR, STABILIZER (WITH GUIDE)
21	35-2046	BRACKET, STABILIZER
22	35-2052	PIN, STABILIZER
23	22004469	FOOT PAD ASSY. (REAR)
24	31001041	SCREW (S/P)
25	12002701	BASE (S/P)
26	25-7845	SPEEDNUT (S/P)
27	21001915	HOSE, TUB TO PUMP
28	35-3507	FOOT & PAD ASSY
29	Y25-7951	WASHER, SUSPENSION HOOK (S/P)

30	21352320	BELT, DRIVE
31	25-7830	SPACER
32	33-9765	SWITCH, MOTOR
33	35-2065	PAD, MOTOR PLATE (S/P)
34	21002026	SNUBBER
35	25-7419	SCREW (S/P)
36	33-6035	DESCONTINUADO
37	33-6032	GASKET (S/P)
38	35-2058	BASE, PUMP (S/P)
39	21001906	IMPELLER
40	35-2056	DESCONTINUADO
41	35-0707	DESCONTINUADO
42	25-7828	SCREW, No.10 TORQ LIMITING (S/P)
43	21002254	CLAMP, HOSE (S/P)

PAV3000AWW GABINETE





PAV3000AWW GABINETE

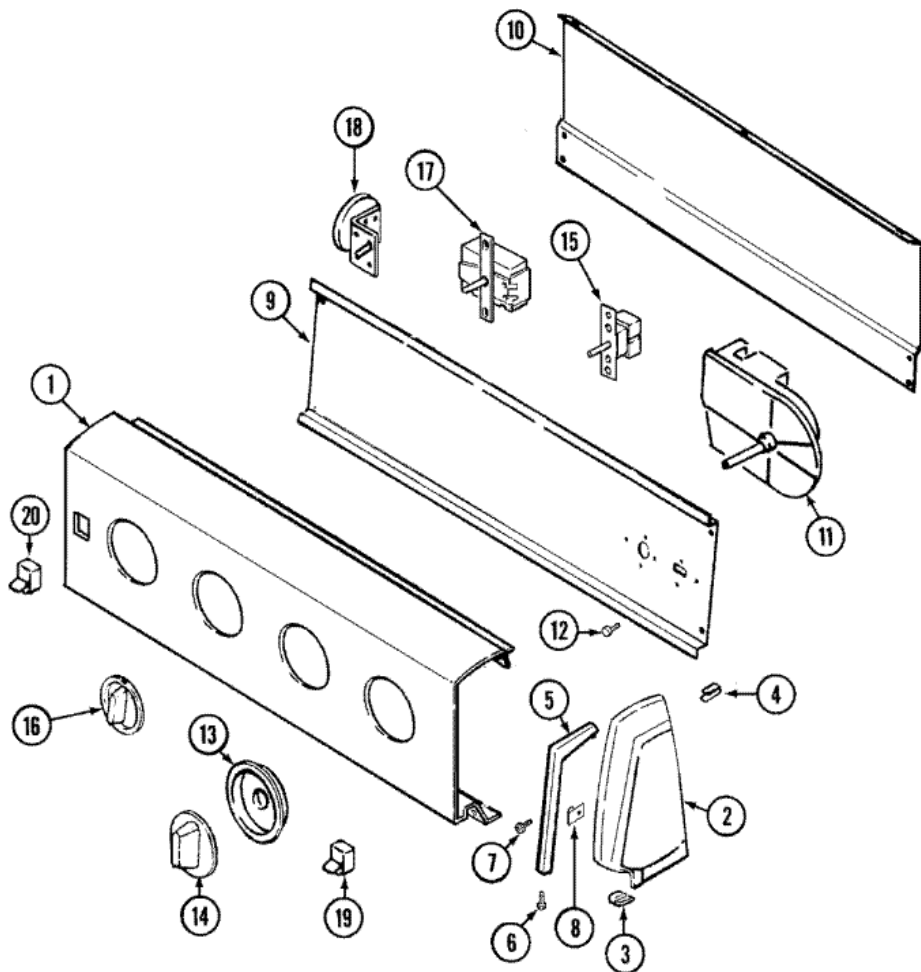
1	25-7893	SCREW (S/P)
2	35-2846	HINGE, CABINET TOP
3	35-4128	PAD, HINGE
4	31001320	CLIP, WIRING (S/P)
5	35-0706	DESCONTINUADO
6	53-0643	PIN, LOCATOR (S/P)
7	25-7220	CLIP, CABINET TOP (S/P)
8	25-0224	NUT, LOCATOR PIN (S/P)
9	53-0200	SLEEVE, LOCATOR PIN (S/P)
9	53-0643	PIN, LOCATOR (S/P)
10	21001281	DAMPER, SOUND PAD (S/P)
10	35-2084	PANEL, FRONT (WHT)
11	681414	SCREW (S/P)
11	53-0120	CLIP, FRONT PANEL
12	35-4129	BUMPER, CABINET (S/P)
13	21001871	CABINET ASSY. (WHT)
14	33-2653	BUMPER, CABINET (S/P)
15	21001871	SHIELD, REAR(NLA, ORDER CAB KIT)
16	25-7732	SCREW (S/P)
17	35-2374N	VALVE, WATER (120V) (S/P)
18	25-7867	CLAMP (S/P)
19	12002749	HOSE, FLUME/DIVERTER (RUBBER) (S/P)
20	21001748	HOSE, PRESSURE SWITCH (S/P)
21	596669	CLAMP, PRESSURE SWITCH HOSE (S/P)
22	21001872	HOSE, DRAIN
23	22003814	RETAINER (S/P)
24	21001466	HOSE, INLET (S/P)
24	89503	HOSE, 4' INLET
25	33-4264N	STRAINER & WASHER KIT (S/P)
26	27001223	CLAMP, DISCHARGE HOSE (S/P)
27	35-2051	FLUME, WATER INLET

Distribuidor Autorizado

SurteRápido.com

Venta de Refacciones
Electrodomesticas

PAV3000AWW TABLERO

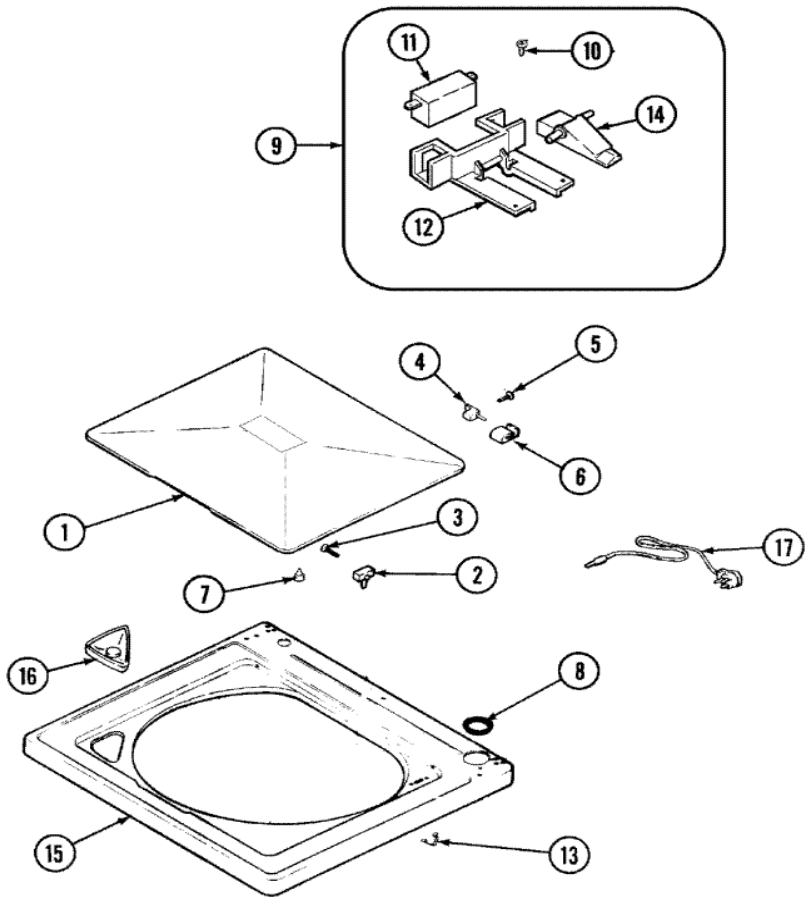




PAV3000AWW TABLERO

1	25-7793	SCREW (S/P)
1	21001468	PANEL, CONTROL (WHT) (S/P)
1	25-7702	SPEEDCLIP, END CAP TO CTRL PNL (S/P)
2	21001454	CAP, END (LT)(WHT)
2	21001453	CAP, END (RT)(WHT)
3	25-7697	SCREW (S/P)
3	25-7851	SPEEDCLIP, END CAP TO TOP (S/P)
4	25-7852	SPEEDCLIP, RR SHLD TO END CAP (S/P)
4	25-7435	SCREW (S/P)
5	31001055	TRIM, ENDCAP (LT WHT) (S/P)
5	31001054	TRIM, ENDCAP (RT WHT) (S/P)
8	25-7702	SPEEDCLIP, END CAP TO CTRL PNL (S/P)
9	31001193	PAD, SHIELD (S/P)
9	21001303	SHIELD, CONTROL (S/P)
9	31001193	SPACER, CONTROL SHIELD (S/P)
10	35-2688	DESCONTINUADO
10	25-3457	SCREW, SEMS (S/P)
10	25-7933	RETAINING RING (S/P)
10	25-3092	SCREW (S/P)
11	21001335	TIMER (S/P)
12	31001029	SCREW, TIMER (S/P)
13	21001502	SKIRT & RING ASSY. (WHT) (S/P)
14	21001237	KNOB, TIMER (WHT) (S/P)
15	25-3092	SCREW (S/P)
15	21001674	SWITCH, WATER TEMPERATURE (S/P)
16	21002196	KNOB, SELECTOR (WHT)
17	21001336	SWITCH, SPEED (S/P)
18	35-3691	SWITCH, WATER LEVEL
19	35-3204	SWITCH, PADDLE 2 POS. (S/P)
20	21001482	SWITCH, ROCKER (WHT) (S/P)

PAV3000AWW TAPA

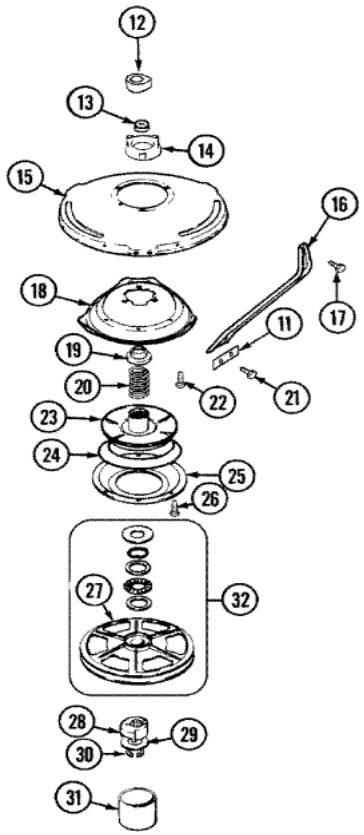
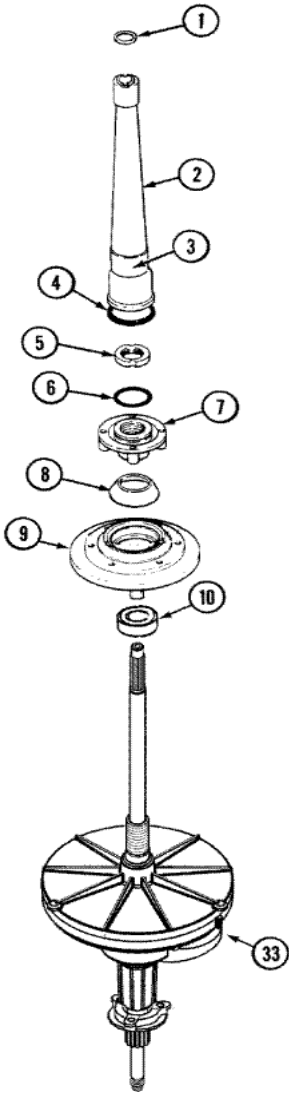




PAV3000AWW TAPA

1	35-2026	LID (WHT) (DOOR) (S/P)
2	43-0057	ACTUATOR, DOOR SWITCH
2	25-7436	NYLITE WASHER (S/P)
3	25-7438	SCREW (S/P)
4	35-2045	PIN, HINGE
5	25-7893	SCREW (S/P)
6	35-2044	HINGE, LID
7	35-0581	BUMPER, DOOR (LID) (S/P)
8	35-2064	BUSHING, INSULATING (S/P)
8	35-2063	BUSHING, INSULATOR (S/P)
9	12001187	LID SWITCH ASSY.-W/LEADS
10	21001136	SCREW, SWITCH/HOUSING (S/P)
11	12001187	SWITCH, LID/DOOR SAFETY SPIN
12	21001135	HOUSING, LID SWITCH (S/P)
13	25-7878	CLIP
14	21001134	LEVER, LID SWITCH
15	35-2739	DESCONTINUADO
16	21001167	DISPENSER, BLEACH (S/P)
17	35-0680	DESCONTINUADO

PAV3000AWW TRANSMISION



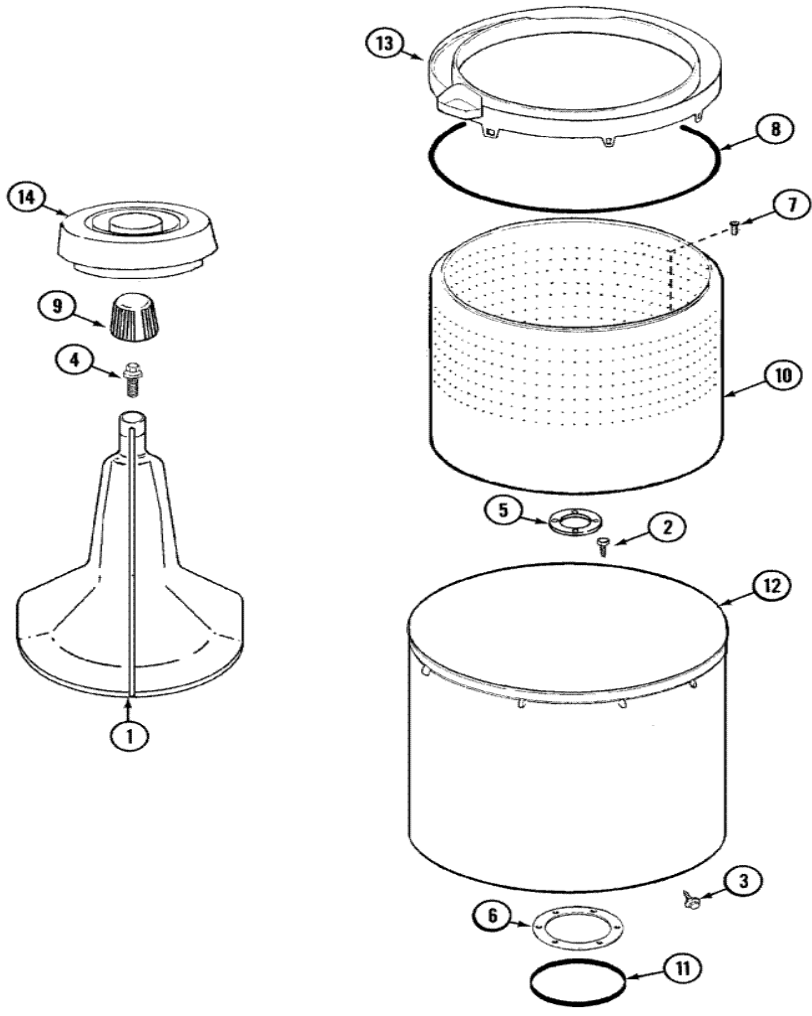


PAV3000AWW TRANSMISION

1	25-7941	``O`` RING
2	35-2983	CENTERPOST
3	35-2983	CENTERPOST ASSY.
3	33-6790	BEARING, AGITATOR
4	35-2906	SEAL, CENTERPOST BOTTOM
5	35-2791	NUT, SPIN TUBE
6	25-7938	``O`` RING, BASKET DRIVE HUB (S/P)
7	21002237	HUB, BASKET DRIVE
8	33-7224N	TUB SEAL/HUB ASSY (HT TRANS)
9	21002237	HOUSING, BEARING & SEAL
10	35-2205	BEARING, SPIN
10	21002237	BEARING & SEAL HOUSING ASSY.
11	35-2025	PLATE, REINFORCEMENT (S/P)
12	35-3384	STOP, ANTIBACKUP CAM (S/P)
13	207843	SEAL, TRANSMISSION HOUSING(LIP)
14	12001562	BEARING ASSEMBLY (LWR)
14	21001995	TRANSMISSION HSG ASSY W/LWR BR
14	12001562	BEARING ASSY. (LOWER)
15	21001518	SUPPORT, TUB (S/P)
16	21001164	BRACE, TUB (S/P)
17	25-7895	SCREW, SUSP HSG TO LWR BRG ASY (S/P)
18	21001163	HOUSING, SUSPENSION (S/P)
19	35-2017	RETAINER, BRAKE SPRING
20	35-2112	SPRING, BRAKE
21	25-7930	SCREW 5/16-18X3/4 (S/P)
22	25-7895	SCREW, SUSP HSG TO LWR BRG ASY (S/P)
23	35-2948	BRAKE ROTOR & LINING ASSY
24	21002026	SNUBBER
25	35-6918	STATOR, BRAKE
26	21001065	SCREW, NO.10-24X.50 HXNIBHD (S/P)
27	12002213	PULLEY, DRIVE

28	12002213	CAM REPLACEMENT KIT
29	35-2082	WASHER, 1.25ODX.530IDX.062
29	35-2132	WASHER, 1.25ODX.530IDX.032
30	25-7854	RING, RETAINING
31	35-2007	CAP, DUST
32	12002213	THRUST BEARING KIT
33	21001394	TRANSMISSION ASSY., DUAL DRIVE

PAV3000AWW AGITADOR





PAV3000AWW AGITADOR

1	35-3580	AGITATOR
2	21001063	SCREW SHOULDER (S/P)
3	25-7953	SCREW (S/P)
4	25-7948	SCREW, AGITATOR RETENTION (S/P)
5	35-3685	GASKET, BASKET TO CENTERPOST (S/P)
6	35-3686	GASKET, TUB TO HOUSING (S/P)
7	25-7965	SCREW (S/P)
8	35-2328	SEAL, TUB TOP
9	35-2733	CAP, AGITATOR
10	35-3687	DESCONTINUADO
11	35-2978	SEAL, TUB/HOUSING (S/P)
12	35-3700	TUB ASSEMBLY (PLASTIC) (S/P)
13	35-3578	TOP, TUB
13	35-2262	DESCONTINUADO
14	35-2550	DISPENSER, RINSE