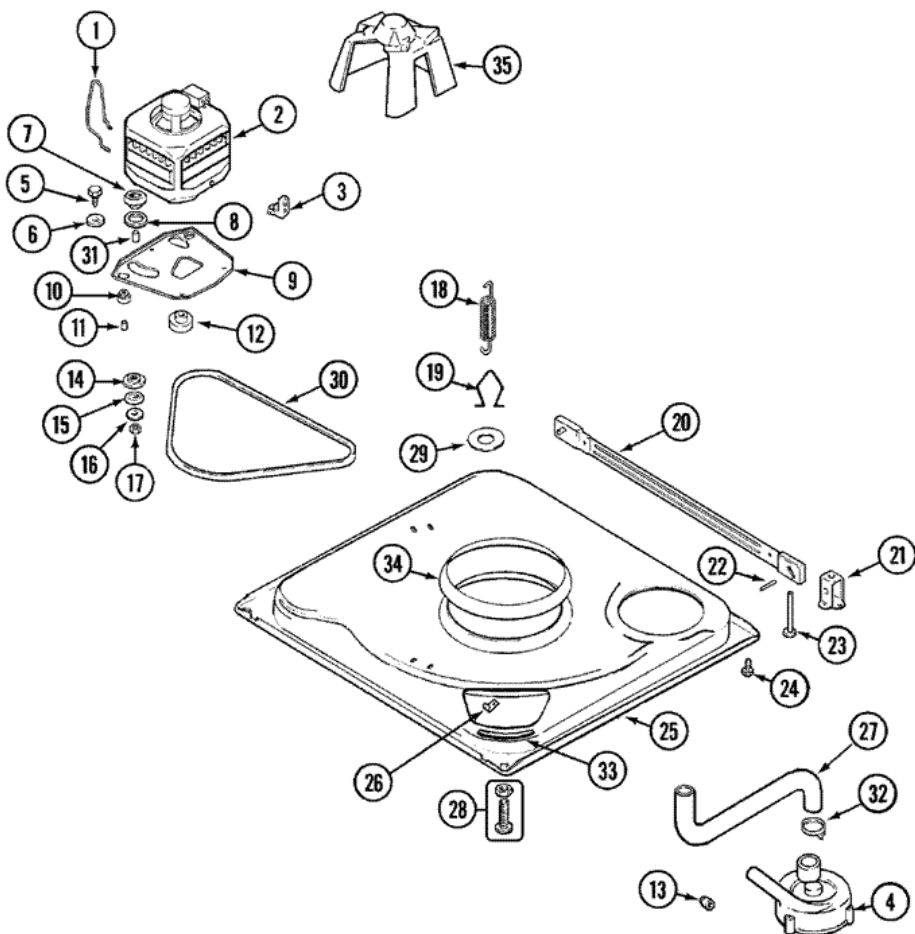


Distribuidor Autorizado

SurteRápido.com

Venta de Refacciones  
Electrodomesticas

PAV3300AWW BASE





## PAV3300AWW BASE

1	22004376	SPRING, MOTOR PIVOT
2	21001950	MOTOR & PULLEY ASSY.
3	21001486	SLIDE, FOOT <b>(S/P)</b>
4	21001906	PUMP ASSY (COMPLETE)
4	21002240	PUMP
5	25-7833	SCREW <b>(S/P)</b>
6	25-7834	WASHER <b>(S/P)</b>
7	33-9946	ISOLATOR, MOTOR <b>(S/P)</b>
8	35-3570	WASHER, MOTOR PIVOT <b>(S/P)</b>
9	21001783	PLATE, MOTOR <b>(S/P)</b>
10	35-3646	ISOLATOR, MOTOR PLATE <b>(S/P)</b>
11	25-7831	SPACER <b>(S/P)</b>
12	25-7117	SET SCREW <b>(S/P)</b>
12	21001950	PULLEY, MOTOR-60 HZ
13	35-2344	RESTRICTOR, FLOW <b>(S/P)</b>
14	35-3571	SLIDE, MOTOR PIVOT <b>(S/P)</b>
15	33-9967	WASHER, MOTOR ISOLATOR <b>(S/P)</b>
16	25-7047	WASHER, FLAT <b>(S/P)</b>
17	21002009	NUT, MOTOR PLATE ASY TO MOTOR <b>(S/P)</b>
18	22002922	TOOL, 6 POINT SPRING
18	21001598	SPRING, SUSPENSION
19	21001166	HOOK, SUSPENSION SPRING <b>(S/P)</b>
20	21001881	BAR, STABILIZER (WITH GUIDE)
21	35-2046	BRACKET, STABILIZER
22	35-2052	PIN, STABILIZER <b>(S/P)</b>
23	22004469	FOOT PAD ASSY. (REAR)
24	31001041	SCREW <b>(S/P)</b>
25	12002701	BASE <b>(S/P)</b>
25	21001893	BASE, WASHER
26	25-7845	SPEEDNUT <b>(S/P)</b>
27	21001915	HOSE, TUB TO PUMP
28	35-3507	FOOT & PAD ASSY <b>(S/P)</b>
29	Y25-7951	WASHER, SUSPENSION HOOK <b>(S/P)</b>

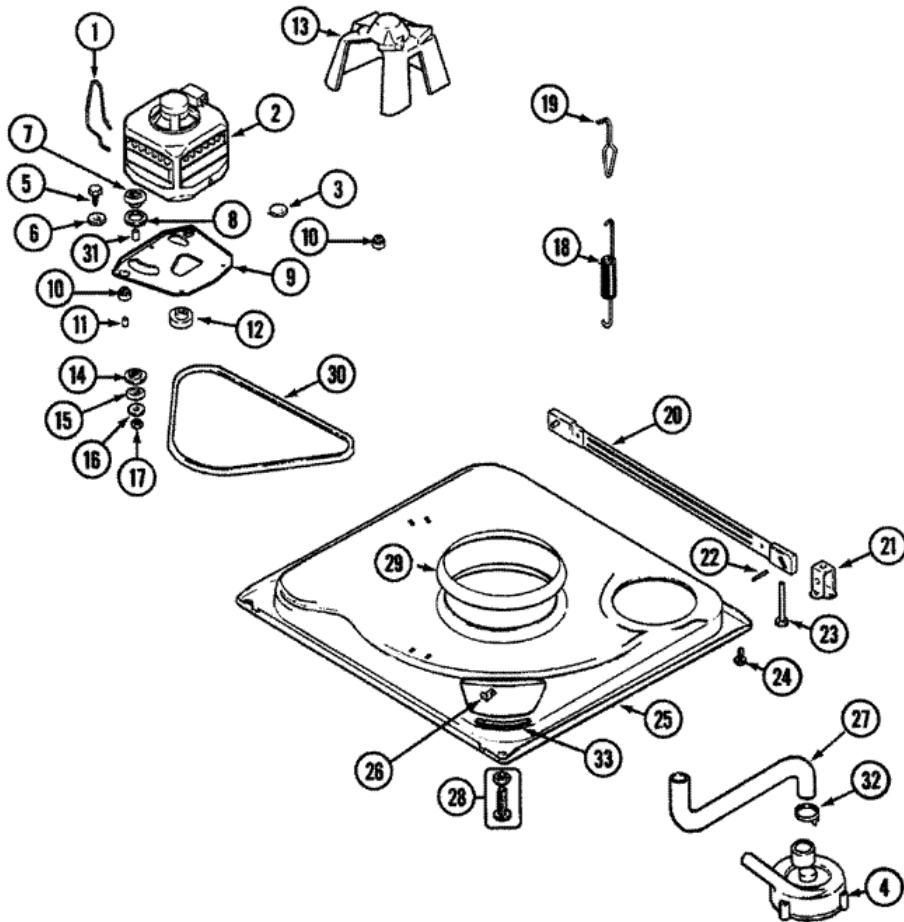
30	21352320	BELT, DRIVE
31	25-7830	SPACER
32	21002254	CLAMP, HOSE <b>(S/P)</b>
33	35-2065	PAD, MOTOR PLATE <b>(S/P)</b>
34	21002026	SNUBBER
35	22002721	SHIELD, MOTOR <b>(S/P)</b>

Distribuidor Autorizado

SurteRápido.com

Venta de Refacciones  
Electrodomesticas

# PAV3300AWW BASE (SERIE 19)





## PAV3300AWW BASE (SERIE 19)

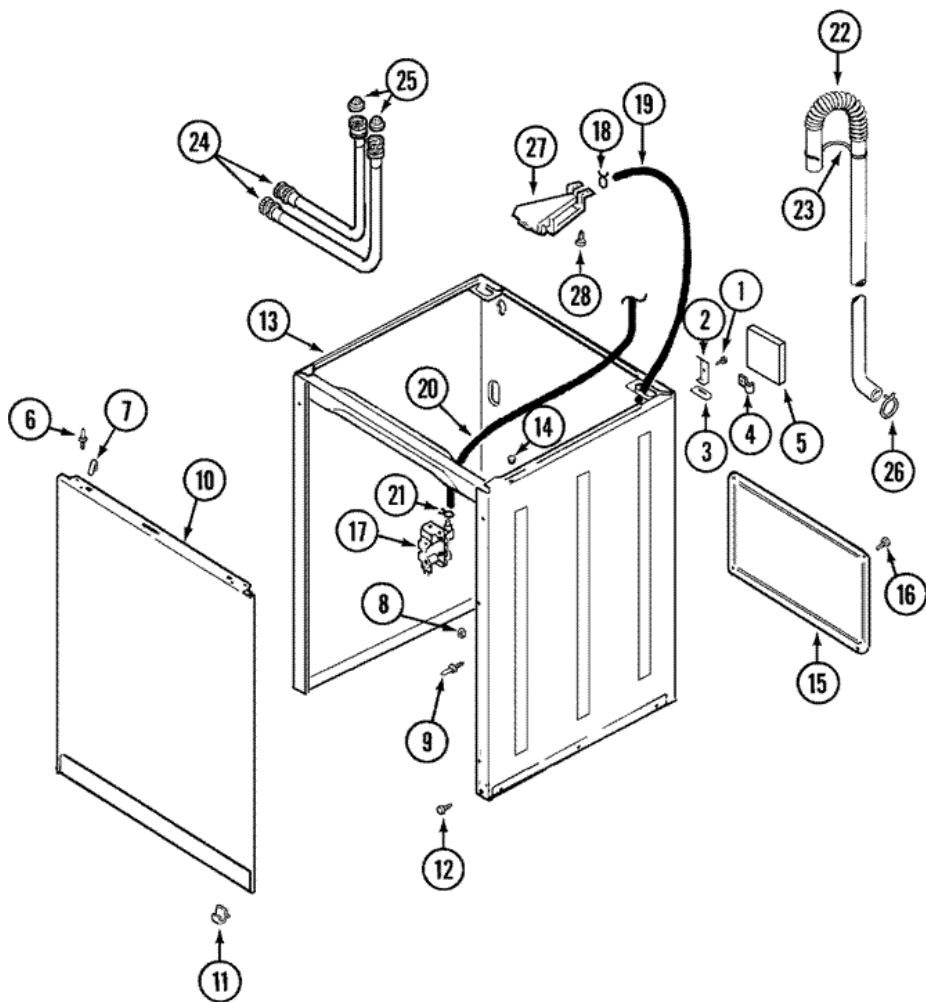
1	22004376	SPRING, MOTOR PIVOT
2	21001950	MOTOR (120V 60HZ 2SP)
3	21001486	SLIDE, FOOT <b>(S/P)</b>
4	21002240	PUMP
5	25-7833	SCREW <b>(S/P)</b>
6	25-7834	WASHER <b>(S/P)</b>
7	33-9946	ISOLATOR, MOTOR <b>(S/P)</b>
8	35-3570	WASHER, MOTOR PIVOT <b>(S/P)</b>
9	21002240	PLATE & SCREW ASSEMBLY
10	35-3646	ISOLATOR, MOTOR PLATE <b>(S/P)</b>
11	25-7831	SPACER <b>(S/P)</b>
12	21001950	PULLEY, MOTOR-60 HZ
13	22002721	SHIELD, MOTOR <b>(S/P)</b>
14	35-3571	SLIDE, MOTOR PIVOT <b>(S/P)</b>
15	33-9967	WASHER, MOTOR ISOLATOR <b>(S/P)</b>
16	25-7047	WASHER, FLAT <b>(S/P)</b>
17	21002009	NUT, MOTOR PLATE ASY TO MOTOR <b>(S/P)</b>
18	12002773	KIT, SUSPENSION SPRING
19	21001166	HOOK, SUSPENSION SPRING <b>(S/P)</b>
20	21001881	BAR, STABILIZER
21	35-2046	BRACKET, STABILIZER
22	35-2052	PIN, STABILIZER <b>(S/P)</b>
23	22004469	FOOT PAD ASSY. (REAR)
24	25-7828	SCREW, NO.10 TORQ LIMITING <b>(S/P)</b>
25	21001893	BASE, WASHER
26	25-7845	SPEEDNUT <b>(S/P)</b>
27	21001915	HOSE, TUB TO PUMP
28	25001119	FOOT & PAD ASSY <b>(S/P)</b>
29	21002026	SNUBBER
30	21352320	BELT, DRIVE
31	25-7830	SPACER
32	21002254	CLAMP, HOSE <b>(S/P)</b>
33	35-2065	PAD, MOTOR PLATE <b>(S/P)</b>

Distribuidor Autorizado

SurteRápido.com

Venta de Refacciones  
Electrodomesticas

# PAV3300AWW GABINETE





**PAV3300AWW GABINETE**

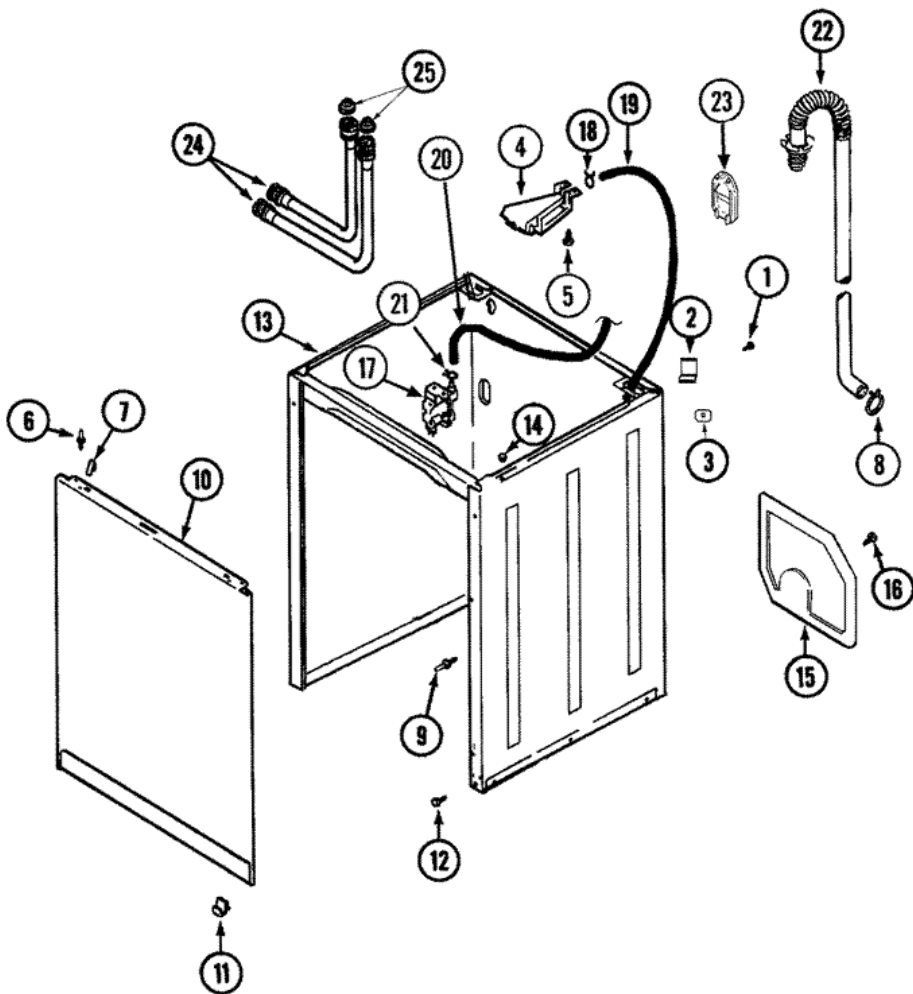
1	25-7893	SCREW (S/P)
2	35-2846	HINGE, CABINET TOP (S/P)
2	21001751	HINGE, CABINET (PLASTIC) (S/P)
3	35-4128	PAD, HINGE (S/P)
4	31001320	CLIP, WIRING (S/P)
5	35-0706	PAD, FOAM <b>DESCONTINUADO</b>
6	53-0643	PIN, LOCATOR (S/P)
7	25-7220	CLIP, CABINET TOP (S/P)
8	311426	NUT, LOCATOR PIN (S/P)
9	53-0643	PIN, LOCATOR (S/P)
9	53-0200	SLEEVE, LOCATOR PIN (S/P)
10	21001281	DAMPER, SOUND PAD (S/P)
10	35-2084	PANEL, FRONT (WHT) (S/P)
11	53-0120	CLIP, FRONT PANEL
11	25-7732	SCREW (S/P)
12	35-4129	BUMPER, CABINET (S/P)
13	21001871	CABINET ASSY. (WHT) (S/P)
14	33-2653	BUMPER, CABINET (S/P)
15	21001871	SHIELD, REAR(NLA, ORDER CAB KIT) (S/P)
16	25-7732	SCREW (S/P)
17	21001932	VALVE, WATER
17	35-2374N	VALVE, WATER (120V) (S/P)
18	25-7867	CLAMP (S/P)
19	12002749	HOSE, FLUME/DIVERTER (RUBBER) (S/P)
20	21001748	HOSE, PRESSURE SWITCH (S/P)
21	596669	CLAMP, PRESSURE SWITCH HOSE (S/P)
22	21001872	HOSE, DRAIN (CUFF)
23	22003814	RETAINER (S/P)
24	89503	HOSE, 4" INLET
24	89503	HOSE, 5" INLET
25	33-4264N	STRAINER & WASHER KIT (S/P)
26	25-7080	CLAMP, DISCHARGE HOSE (S/P)
27	35-2051	FLUME, WATER INLET (S/P)

Distribuidor Autorizado

**SurteRápido.com**

Venta de Refacciones  
Electrodomesticas

## PAV3300AWW GABINETE (SERIE 19)







## PAV3300AWW GABINETE (SERIE 19)

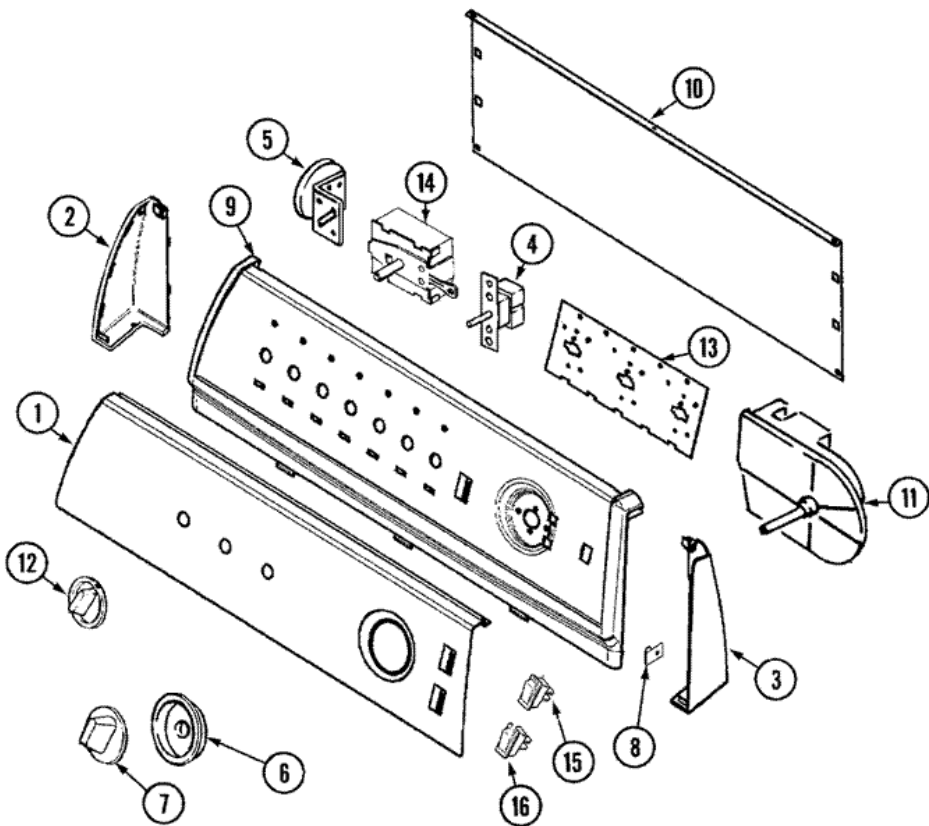
1	25-7893	SCREW (S/P)
2	35-2846	HINGE, CABINET TOP (S/P)
3	35-4128	PAD, HINGE (S/P)
4	21001760	FLUME ASSEMBLY /WATER DIVERTER (S/P)
5	25-3092	SCREW (S/P)
6	311426	NUT, LOCATOR PIN (S/P)
6	53-0643	PIN, LOCATOR (S/P)
6	53-0200	SLEEVE, LOCATOR PIN (S/P)
7	25-7220	CLIP, CABINET TOP (S/P)
8	285655	CLAMP, HOSE (S/P)
9	21001829	POST, LOCATING (S/P)
10	35-2084	PANEL, FRONT (WHT) (S/P)
10	21001281	DAMPER, SOUND PAD (S/P)
11	53-0120	CLIP, FRONT PANEL
11	25-7732	SCREW (S/P)
12	35-4129	BUMPER, CABINET (S/P)
13	21001871	CABINET (WHT) (S/P)
14	33-2653	BUMPER, CABINET (S/P)
15	21001876	SHIELD, REAR (S/P)
16	25-7732	SCREW (S/P)
17	21001932	VALVE, WATER
18	25-7867	CLAMP (S/P)
19	12002749	HOSE, FLUME/DIVERTER (RUBBER) (S/P)
20	21001748	HOSE, PRESSURE SWITCH (S/P)
21	596669	CLAMP, PRESSURE SWITCH HOSE (S/P)
22	21001872	HOSE, DRAIN (W/BEND&STAY)
23	21001874	OUTLET, DRAIN HOSE (S/P)
24	89503	HOSE, 5' INLET
24	89503	HOSE, 4' INLET
25	33-4264N	STRAINER & WASHER KIT (S/P)

Distribuidor Autorizado

SurteRápido.com

Venta de Refacciones  
Electrodomesticas

## PAV3300AWW TABLERO

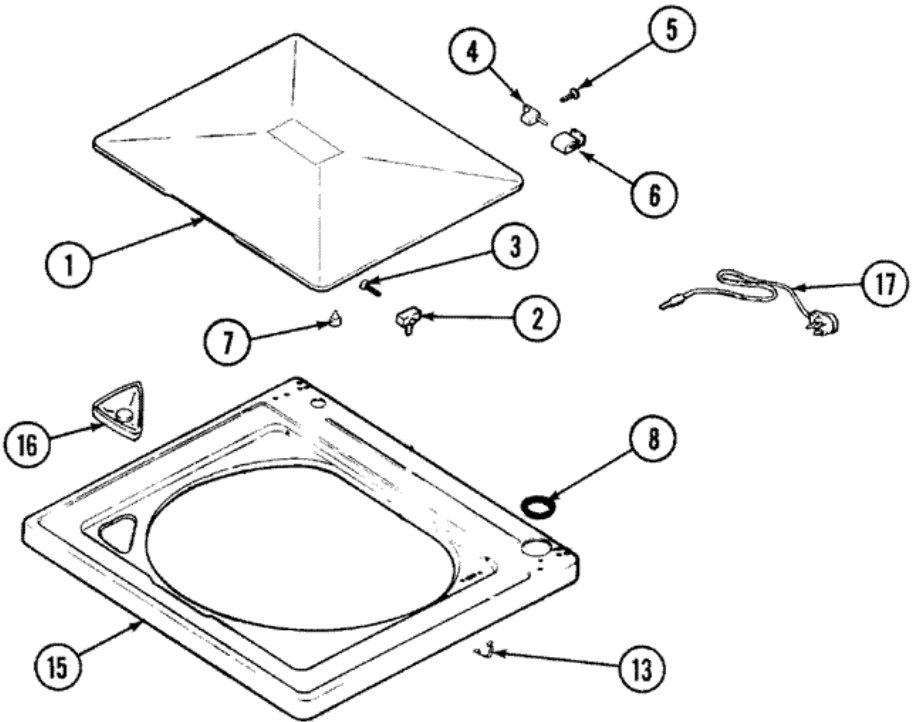
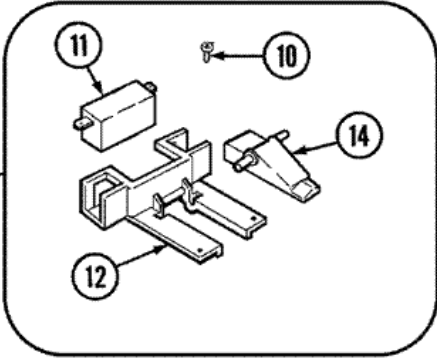




## PAV3300AWW TABLERO

1	21001730	PANEL, CONTROL (S/P)
2	21001519	ENDCAP (WHT-LT)
2	25-3092	SCREW (S/P)
3	25-3092	SCREW (S/P)
3	21001523	ENDCAP (WHT-RT)
4	21001226	SWITCH, WATER TEMP. 4 POSITION (S/P)
4	25-3092	SCREW (S/P)
5	21001882	SWITCH, PRESSURE (EMZ)
5	21001554	SWITCH, WATER LEVEL
5	25-3092	SCREW (S/P)
6	21001600	SKIRT, TIMER (WHT)
7	21001952	KNOB, TIMER (WHT)
8	25-7851	SPEEDCLIP, END CAP TO TOP (S/P)
9	21001745	FRAME (WHT) (S/P)
10	25-3457	SCREW, SEMS (S/P)
10	25-7933	RETAINING RING (S/P)
10	21001527	SHIELD, REAR (BACK PANEL)
10	25-3092	SCREW (S/P)
11	25-3092	SCREW (S/P)
11	21001490	SLEEVE, VINYL (AUST) <b>DESCONTINUADO</b>
11	21001595	TIMER
12	21002196	KNOB, SELECTOR (WHT)
13	31001193	SPACER, CONTROL SHIELD (S/P)
13	31001193	PAD, SHIELD (S/P)
14	21001673	SWITCH, SPEED 4 POS ROTARY
15	21001813	SWITCH, ROCKER (WHT) (S/P)
17	21001718	MANUAL, USE & CARE (TRILINGUAL) (S/P)
18	21001947	HARNESS, WIRING (S/P)
18	21001805	HARNESS, WIRE (S/P)
21	12002417	WIRE KIT (HERRIN LAUNDRY) (S/P)

**PAV3300AWW TAPA**

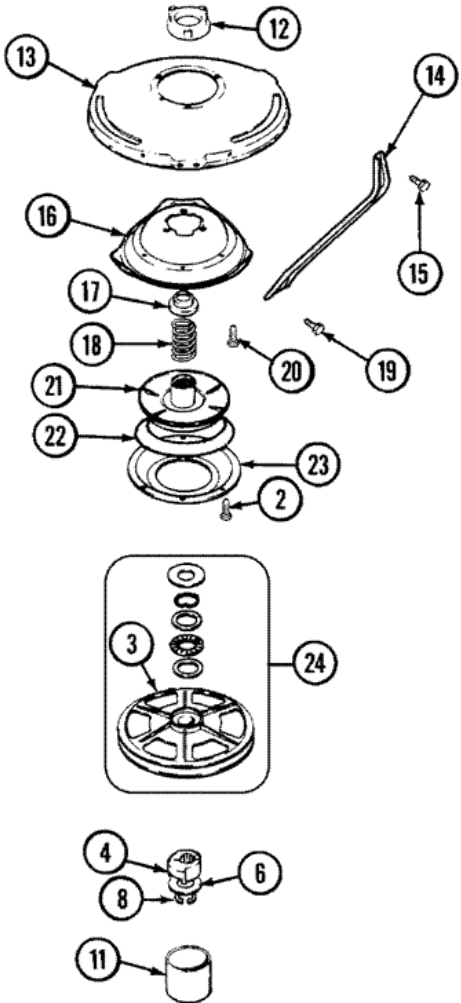
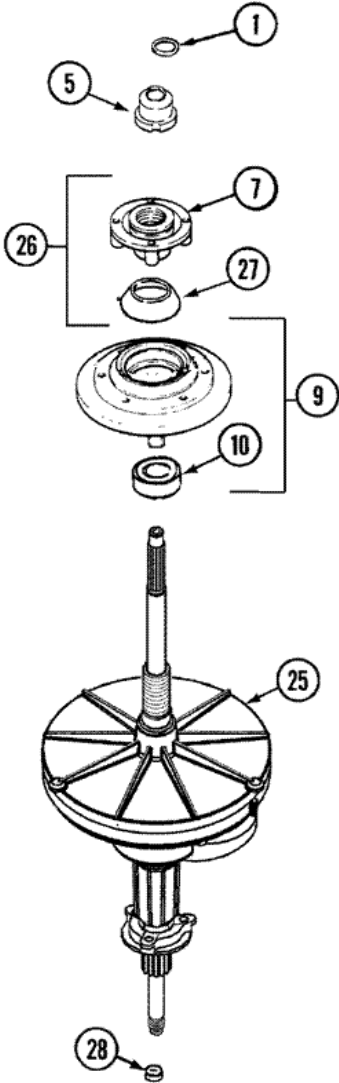




**PAV3300AWW TAPA**

1	35-2026	LID (WHT) (DOOR) <b>(S/P)</b>
2	43-0057	ACTUATOR, DOOR SWITCH
3	25-7438	SCREW <b>(S/P)</b>
4	35-2045	PIN, HINGE
5	25-7893	SCREW <b>(S/P)</b>
6	35-2044	HINGE, LID
7	35-0581	BUMPER, DOOR (LID) <b>(S/P)</b>
8	35-2063	BUSHING, INSULATOR <b>(S/P)</b>
9	12001187	LID SWITCH ASSY.-W/LEADS
10	21001136	SCREW, SWITCH/HOUSING <b>(S/P)</b>
11	12001187	SWITCH, LID/DOOR SAFETY SPIN
12	21001135	HOUSING, LID SWITCH <b>(S/P)</b>
13	25-7878	CLIP
14	21001134	LEVER, LID SWITCH <b>(S/P)</b>
15	21001602	TOP, CABINET (WHT) <b>(S/P)</b>
16	21001597	DISPENSER, BLEACH <b>(S/P)</b>
17	35-1007	STRAIN RELIEF <b>(S/P)</b>
17	21001592	CORD, POWER <b>(S/P)</b>

**PAV3300AWW TRANSMISION**

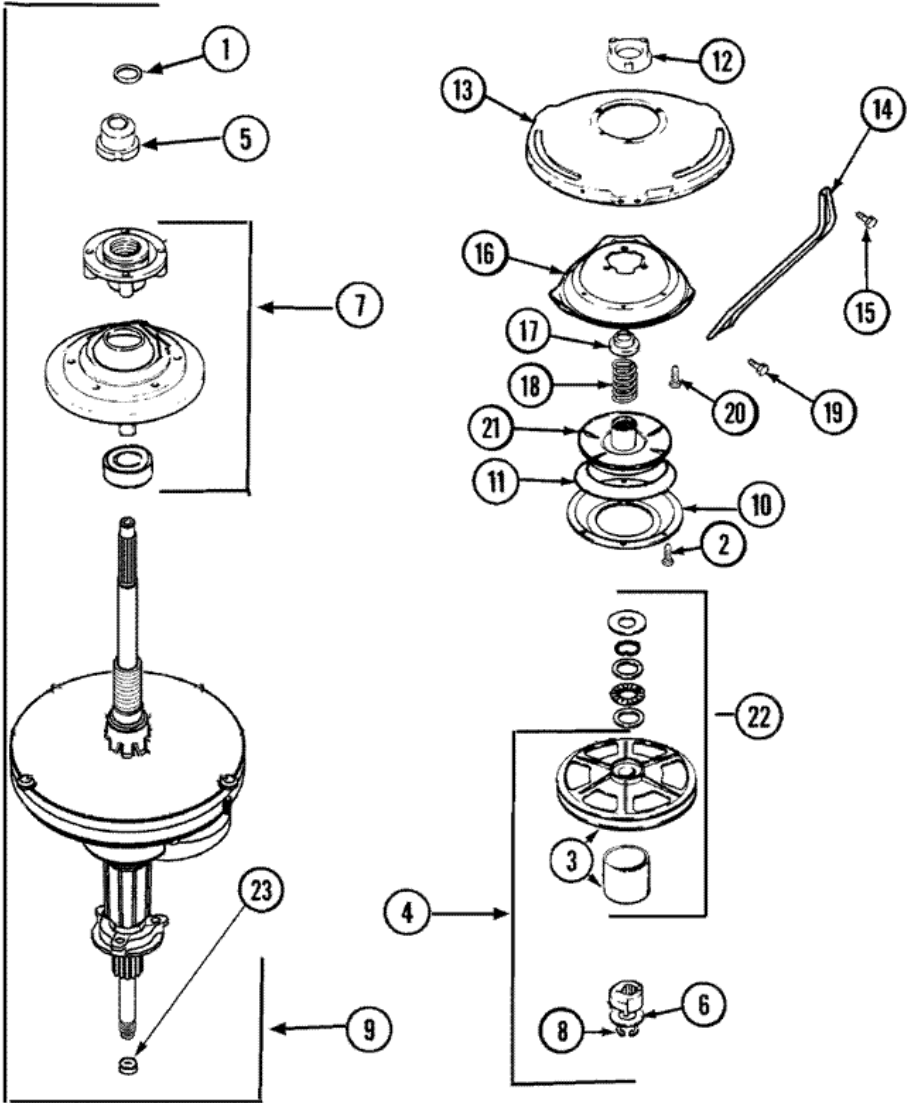




## PAV3300AWW TRANSMISION

1	25-7941	``O`` RING <b>(S/P)</b>
2	21001065	SCREW, NO.10-24X.50 HXNIBHD <b>(S/P)</b>
3	12002213	KIT, PULLEY & DUST CAP
3	12002213	PULLEY, DRIVE
4	12002213	CAM REPLACEMENT KIT
5	21001533	SEAL NUT ASSEMBLY
6	35-2132	WASHER, 1.25ODX.530IDX.032 <b>(S/P)</b>
6	35-2082	WASHER, 1.25ODX.530IDX.062
7	21002237	BASKET HUB ASSEMBLY
8	25-7854	RING, RETAINING
9	21002237	HOUSING/BEARING ASSY.
10	35-2205	BEARING, SPIN
11	35-2007	CAP, DUST
12	35-2205	BEARING, SPIN
12	12001562	HOUSING/LWR.BEARING ASSY.
13	21001518	SUPPORT, TUB <b>(S/P)</b>
14	21001532	BRACE, TUB <b>(S/P)</b>
15	25-7895	SCREW, SUSP HSG TO LWR BRG ASY <b>(S/P)</b>
16	21001163	HOUSING, SUSPENSION <b>(S/P)</b>
17	35-2017	RETAINER, BRAKE SPRING
18	21001910	SPRING, BRAKE
19	25-7930	SCREW 5/16-18X3/4 <b>(S/P)</b>
20	21001509	SCREW, HIGH PERFORMANCE PLASTIC <b>(S/P)</b>
21	35-2948	BRAKE ROTOR & LINING ASSY
22	21002026	SNUBBER
23	35-6918	STATOR, BRAKE
24	12002213	THRUST BEARING KIT
25	21001867	TRANS. ASSY.(W/O SEAL/BEARING)
26	21002237	TUB SEAL ASSEMBLY
27	33-7224N	TUB SEAL/HUB ASSY (HT TRANS)
28	207843	SEAL, TRANSMISSION HOUSING(LIP)

**PAV3300AWW TRANSMISION (SERIE 17)**



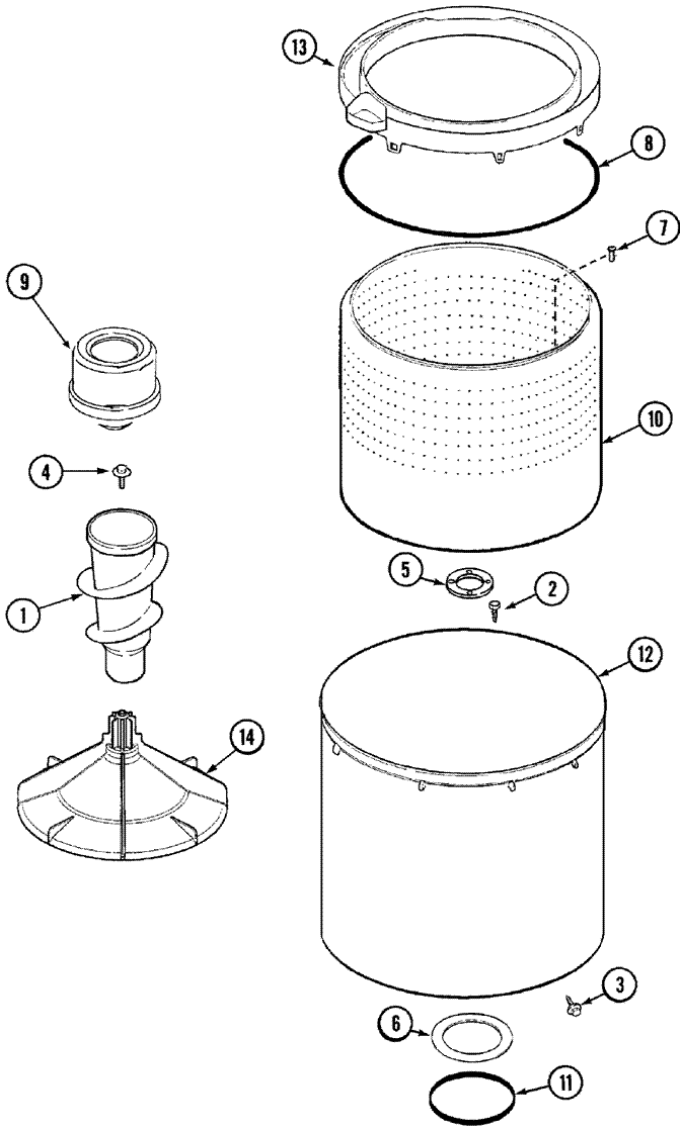




**PAV3300AWW TRANSMISION (SERIE 17)**

1	25-7941	``O`` RING <b>(S/P)</b>
2	21001065	SCREW, NO.10-24X.50 HXNIBHD <b>(S/P)</b>
3	12002213	KIT, PULLEY & DUST CAP
4	12002213	CAM REPLACEMENT KIT
5	21001533	SEAL NUT ASSEMBLY
6	35-2132	WASHER, 1.25ODX.530IDX.032 <b>(S/P)</b>
6	35-2082	WASHER, 1.25ODX.530IDX.062
7	21002237	SEAL HUB ASSEMBLY (HT TRAN)
8	25-7854	RING, RETAINING
9	21001867	HT TRANS/SEAL HUB ASSEMBLY
10	35-6918	STATOR, BRAKE
11	21002026	SNUBBER
12	12001562	HOUSING/LWR.BEARING ASSY.
12	35-2205	BEARING, SPIN
13	21001518	SUPPORT, TUB <b>(S/P)</b>
14	21001532	BRACE, TUB <b>(S/P)</b>
15	21001858	SCREW 5/16-18X1/2 <b>(S/P)</b>
16	21001163	HOUSING, SUSPENSION <b>(S/P)</b>
17	35-2017	RETAINER, BRAKE SPRING
18	21001910	SPRING, BRAKE
19	21001858	SCREW 5/16-18X3/4 <b>(S/P)</b>
20	21001509	SCREW, HIGH PERFORMANCE PLASTIC <b>(S/P)</b>
21	35-2948	BRAKE ROTOR & LINING ASSY
22	12002213	THRUST BEARING KIT
23	207843	SEAL, TRANSMISSION HOUSING(LIP)

**PAV3300AWW TINAS**





## PAV3300AWW TINAS

1	21001878	AUGER & POST ASSY.(AGITATOR)
2	21001510	SCREW <b>(S/P)</b>
3	25-7953	SCREW <b>(S/P)</b>
4	25-8004	SCREW, AGITATOR RETENTION
5	35-3685	GASKET, BASKET TO CENTERPOST <b>(S/P)</b>
6	35-3686	GASKET, TUB TO HOUSING <b>(S/P)</b>
7	25-7967	SCREW, SHOULDER <b>(S/P)</b>
8	35-2328	SEAL, TUB TOP <b>(S/P)</b>
9	21001905	DISPENSER, FABRIC (ONE PIECE)
10	21001529	BASKET ASSEMBLY (PLASTIC) <b>(S/P)</b>
11	35-2978	SEAL, TUB/HOUSING <b>(S/P)</b>
12	35-3700	TUB ASSEMBLY (PLASTIC) <b>(S/P)</b>
13	21001531	TOP, TUB (PLASTIC) <b>(S/P)</b>
14	21001530	BASE, AGITATOR