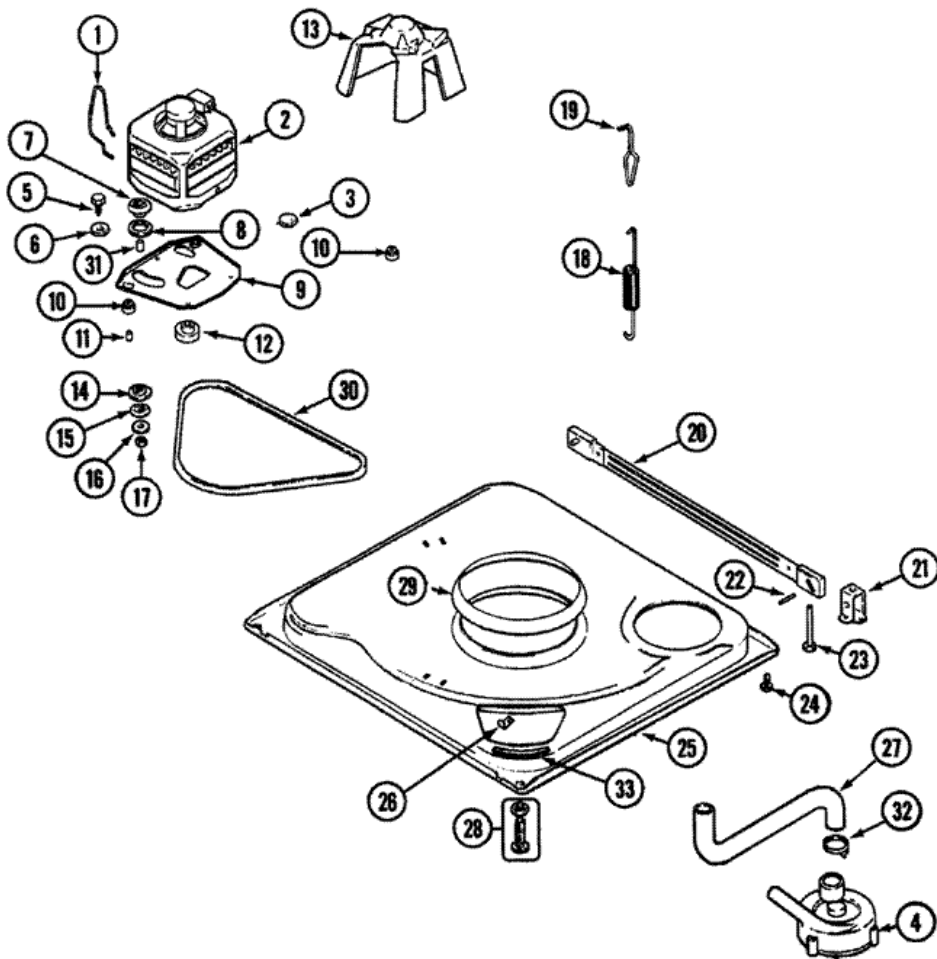


Distribuidor Autorizado

SurteRápido.com

Venta de Refacciones  
Electrodomesticas

PAV5158AWW BASE





## PAV5158AWW BASE

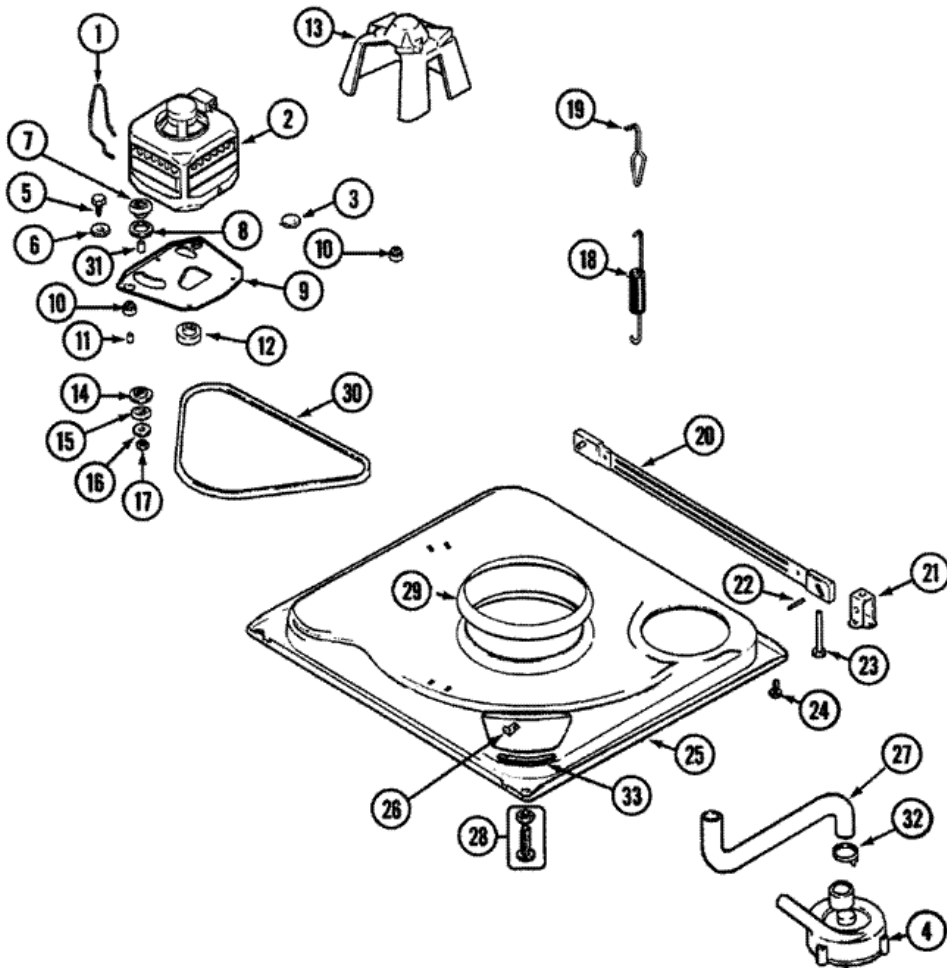
1	22004376	SPRING, MOTOR PIVOT
2	21001950	MOTOR (120V 60HZ 2SP)
3	21001486	SLIDE, FOOT (S/P)
4	21002240	PUMP
4	21001906	PUMP
6	25-7834	WASHER (S/P)
7	33-9946	ISOLATOR, MOTOR (S/P)
8	35-3570	WASHER, MOTOR PIVOT (S/P)
9	21001783	PLATE, MOTOR (S/P)
10	35-3646	ISOLATOR, MOTOR PLATE (S/P)
11	25-7831	SPACER (S/P)
12	21001950	PULLEY, MOTOR-60 HZ
13	22002721	SHIELD, MOTOR (S/P)
14	35-3571	SLIDE, MOTOR PIVOT (S/P)
15	33-9967	WASHER, MOTOR ISOLATOR (S/P)
16	25-7047	WASHER, FLAT (S/P)
17	21002009	NUT, MOTOR PLATE ASY TO MOTOR (S/P)
18	21001598	SPRING, SUSPENSION
19	21001166	HOOK, SUSPENSION SPRING (S/P)
20	21001881	BAR, STABILIZER
21	35-2046	BRACKET, STABILIZER
22	35-2052	PIN, STABILIZER (S/P)
23	22004469	FOOT PAD ASSY. (REAR)
25	12002701	BASE (S/P)
25	21001893	BASE, WASHER
26	25-7845	SPEEDNUT (S/P)
27	21001915	HOSE, TUB TO PUMP
28	35-3507	FOOT & PAD ASSY
29	21002026	SNUBBER
30	21352320	BELT, DRIVE
31	25-7830	SPACER
32	21002254	CLAMP, HOSE (S/P)
33	35-2065	PAD, MOTOR PLATE (S/P)

Distribuidor Autorizado

SurteRápido.com

Venta de Refacciones  
Electrodomesticas

# PAV5158AWW BASE (SERIE 19)





## PAV5158AWW BASE (SERIE 19)

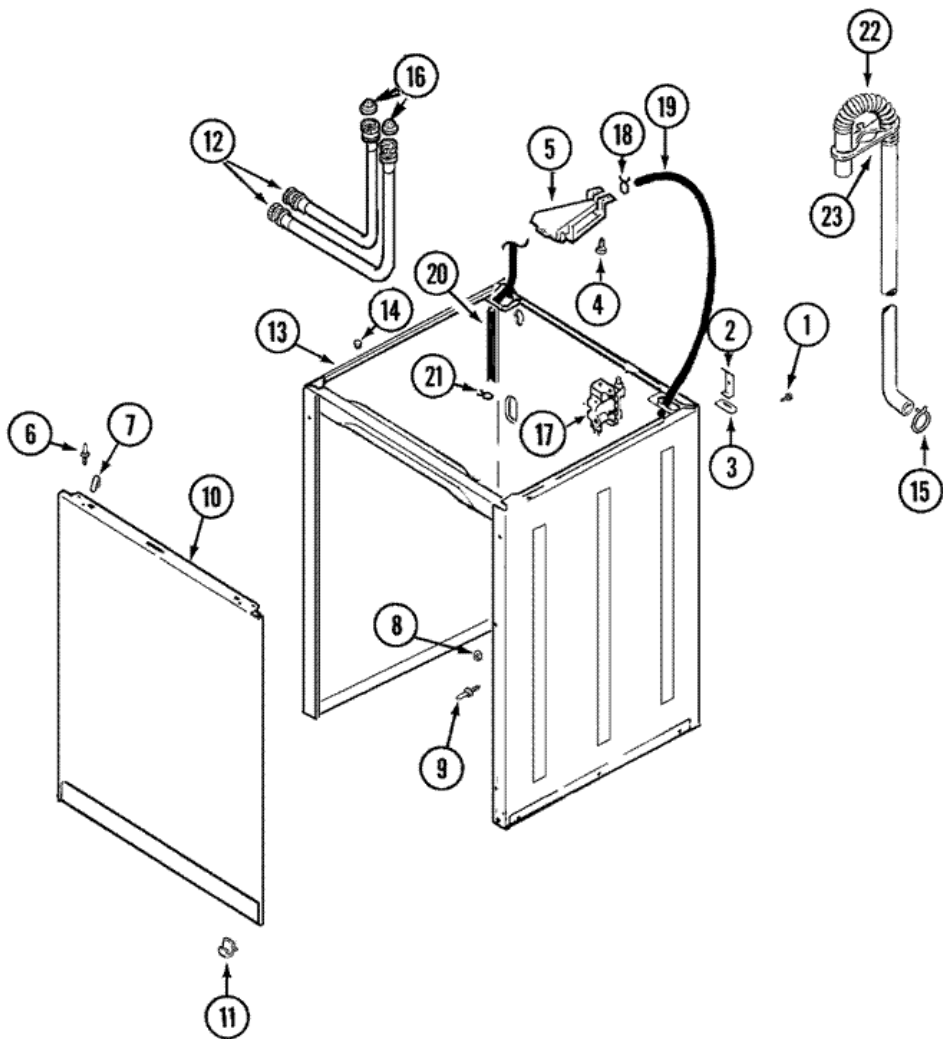
1	22004376	SPRING, MOTOR PIVOT
2	21001950	MOTOR (120V 60HZ 2SP)
3	21001486	SLIDE, FOOT (S/P)
4	21002240	PUMP
5	25-7833	SCREW (S/P)
6	25-7834	WASHER (S/P)
7	33-9946	ISOLATOR, MOTOR (S/P)
8	35-3570	WASHER, MOTOR PIVOT (S/P)
9	21001783	PLATE & SCREW ASSEMBLY (S/P)
10	35-3646	ISOLATOR, MOTOR PLATE (S/P)
11	25-7831	SPACER (S/P)
12	21001950	PULLEY, MOTOR-60 HZ
13	22002721	SHIELD, MOTOR (S/P)
14	35-3571	SLIDE, MOTOR PIVOT (S/P)
15	33-9967	WASHER, MOTOR ISOLATOR (S/P)
16	25-7047	WASHER, FLAT (S/P)
17	21002009	NUT, MOTOR PLATE ASY TO MOTOR (S/P)
18	12002773	KIT, SUSPENSION SPRING
19	21001166	HOOK, SUSPENSION SPRING
20	21001881	BAR, STABILIZER
21	35-2046	BRACKET, STABILIZER
22	35-2052	PIN, STABILIZER
23	22004469	FOOT PAD ASSY. (REAR)
24	25-7828	SCREW, No.10 TORQ LIMITING (S/P)
25	21001893	BASE, WASHER
26	25-7845	SPEEDNUT (S/P)
27	21001915	HOSE, TUB TO PUMP
28	35-3507	FOOT & PAD ASSY
29	21002026	SNUBBER
30	21352320	BELT, DRIVE
31	25-7830	SPACER
32	21002254	CLAMP, HOSE (S/P)
33	35-2065	PAD, MOTOR PLATE (S/P)

Distribuidor Autorizado

**SurteRápido.com**

Venta de Refacciones  
Electrodomesticas

## PAV5158AWW GABINETE





**PAV5158AWW GABINETE**

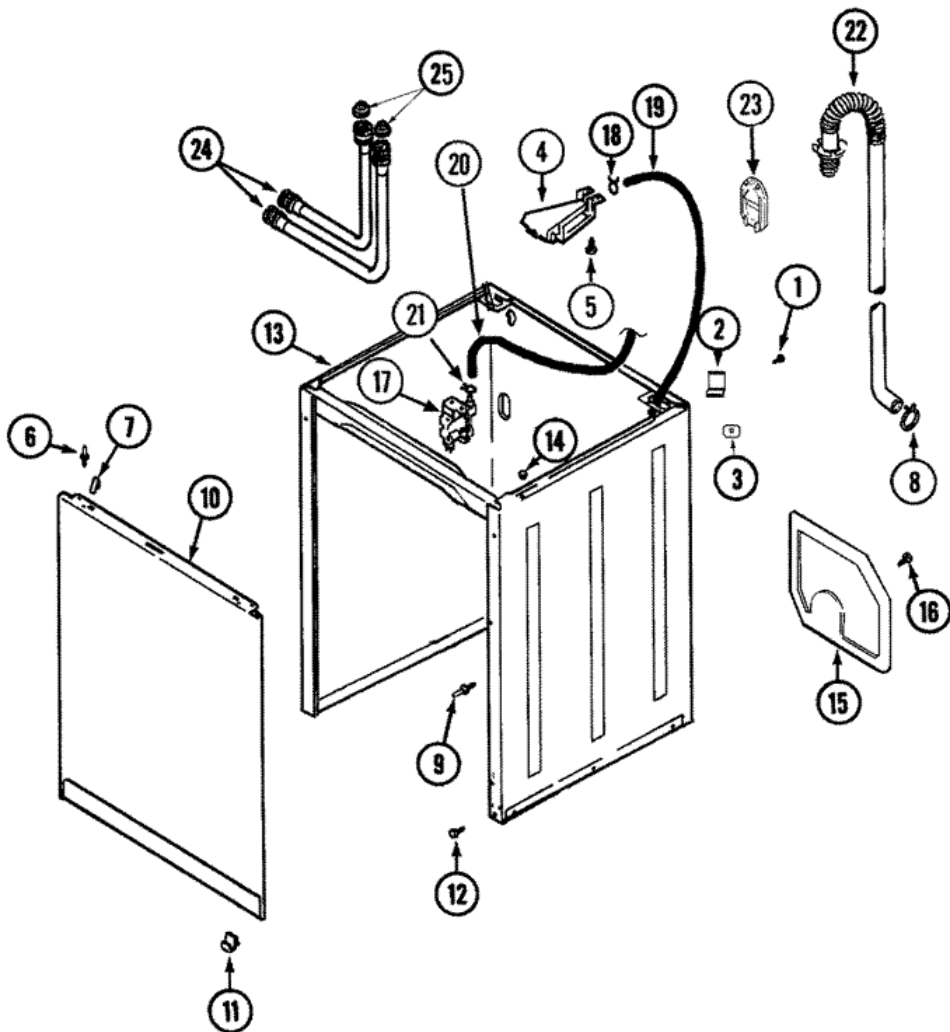
1	25-7893	SCREW (S/P)
2	35-2846	HINGE, CABINET TOP
3	35-4128	PAD, HINGE (S/P)
4	Y700502	SCREW (S/P)
5	489234	WASHER, METAL (S/P)
5	21001854	FLUME ASSEMBLY (ATC) (S/P)
5	21001857	CLIP, PLASTIC SNAP-IN (S/P)
6	53-0643	PIN, LOCATOR (S/P)
7	25-7220	CLIP, CABINET TOP (S/P)
8	25-0224	NUT, LOCATOR PIN (S/P)
9	53-0643	PIN, LOCATOR (S/P)
9	53-0200	SLEEVE, LOCATOR PIN (S/P)
10	35-2084	PANEL, FRONT (WHT) (S/P)
11	53-0120	CLIP, FRONT PANEL
11	25-7732	SCREW (S/P)
12	33-7046	HOSE, 4' INLET (S/P)
12	21001466	HOSE, INLET (S/P)
13	21001871	KIT, CABINET/REAR SHIELD (WHT) (S/P)
13	21001281	DAMPER, SOUND PAD (S/P)
14	33-2653	BUMPER, CABINET (S/P)
15	27001223	CLAMP, DISCHARGE HOSE (S/P)
16	22002960	STRAINER, WASHER INLET (S/P)
17	21001932	VALVE, WATER
18	25-7867	CLAMP (S/P)
19	12002749	HOSE, FLUME/DIVERTER (RUBBER) (S/P)
20	21001748	HOSE, PRESSURE SWITCH (S/P)
21	596669	CLAMP, PRESSURE SWITCH HOSE (S/P)
22	21001872	HOSE, DRAIN (CUFF)
23	22003814	RETAINER, DRAIN HOSE (S/P)

Distribuidor Autorizado

**SurteRápido.com**

Venta de Refacciones  
Electrodomesticas

## PAV5158AWW GABINETE (SERIE 16)





## PAV5158AWW GABINETE (SERIE 16)

1	25-7893	SCREW (S/P)
2	35-2846	HINGE, CABINET TOP (S/P)
3	35-4128	PAD, HINGE (S/P)
4	21001760	FLUME ASSEMBLY /WATER DIVERTER (S/P)
5	25-3092	SCREW (S/P)
6	53-0643	PIN, LOCATOR (S/P)
6	25-0224	NUT, LOCATOR PIN (S/P)
6	53-0200	SLEEVE, LOCATOR PIN (S/P)
7	25-7220	CLIP, CABINET TOP (S/P)
8	285655	CLAMP, HOSE (S/P)
9	21001829	POST, LOCATING (S/P)
10	21001281	DAMPER, SOUND PAD (S/P)
10	35-2084	PANEL, FRONT (WHT) (S/P)
11	25-7732	SCREW (S/P)
11	53-0120	CLIP, FRONT PANEL
12	35-4129	BUMPER, CABINET (S/P)
13	21001871	CABINET (WHT) (S/P)
14	33-2653	BUMPER, CABINET (S/P)
15	21001876	SHIELD, REAR (S/P)
16	25-7732	SCREW (S/P)
17	21001932	VALVE, WATER
18	25-7867	CLAMP (S/P)
19	12002749	HOSE, FLUME/DIVERTER (RUBBER) (S/P)
20	21001748	HOSE, PRESSURE SWITCH (S/P)
21	596669	CLAMP, PRESSURE SWITCH HOSE (S/P)
22	21001872	HOSE, DRAIN (W/BEND&STAY)
23	21001874	OUTLET, DRAIN HOSE (S/P)
24	21001466	HOSE, INLET (S/P)
24	89503	HOSE, 4" INLET
25	33-4264N	STRAINER & WASHER KIT (S/P)

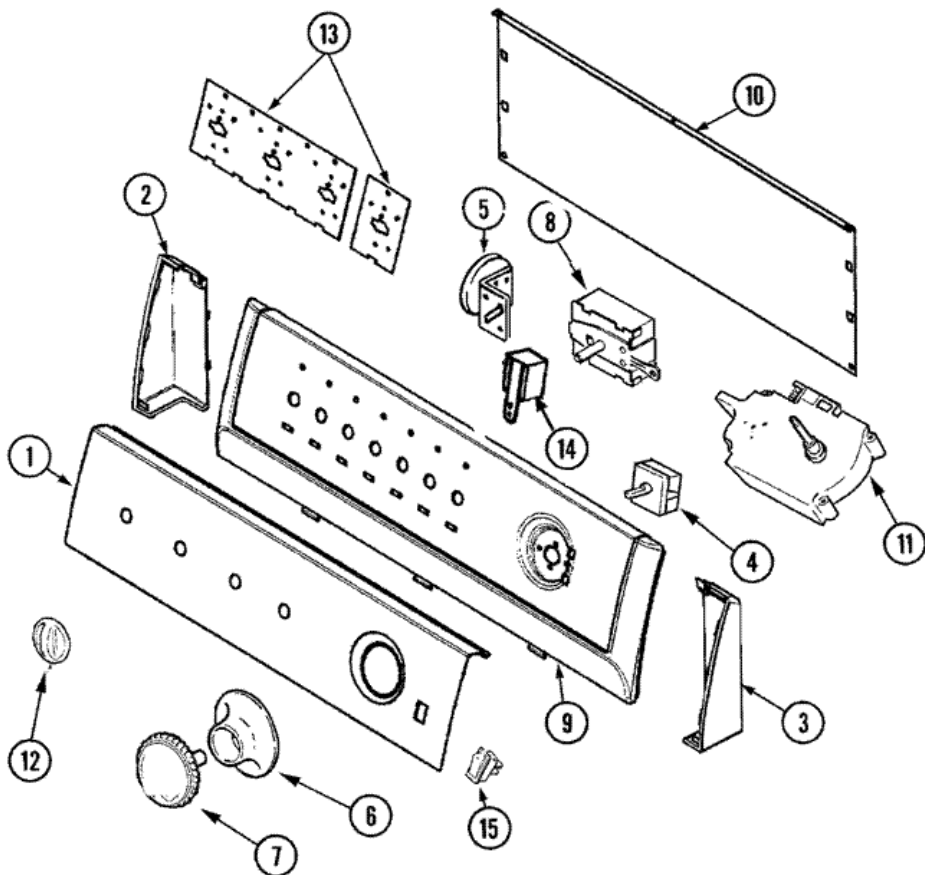


Distribuidor Autorizado

**SurteRápido.com**

Venta de Refacciones  
Electrodomesticas

## PAV5158AWW TABLERO

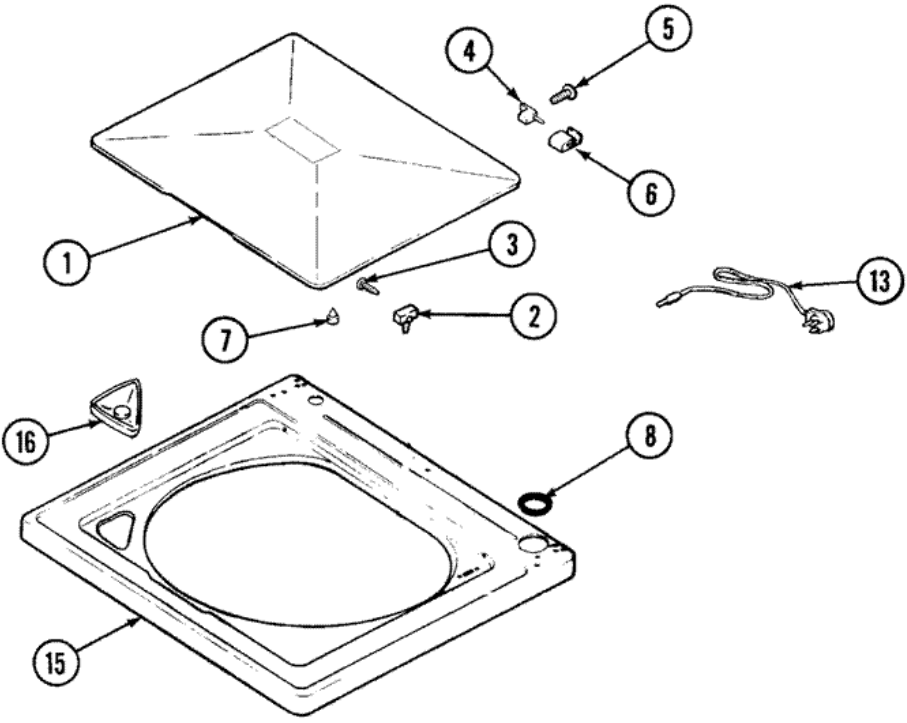
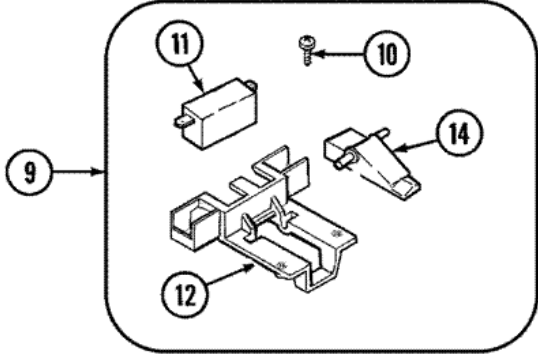




## PAV5158AWW TABLERO

1	21001851	PANEL, CONTROL (WHT) <b>(S/P)</b>
2	21001519	ENDCAP (WHT-LT)
2	25-3092	SCREW <b>(S/P)</b>
3	25-3092	SCREW <b>(S/P)</b>
3	21001523	ENDCAP (WHT-RT)
4	21001852	SWITCH, TEMPERATURE (6 POS.) <b>(S/P)</b>
4	25-3092	SCREW <b>(S/P)</b>
5	25-3092	SCREW <b>(S/P)</b>
5	21001554	SWITCH, WATER LEVEL
5	21001882	SWITCH, PRESSURE (EMZ)
6	21001600	SKIRT, TIMER (WHT)
7	21001952	KNOB, TIMER (WHT)
8	21001227	SWITCH, SPEED 4 POS ROTARY <b>(USE 21001673)</b>
9	21001745	FRAME (WHT) <b>DESCONTINUADO</b>
10	25-3457	SCREW, SEMS <b>(S/P)</b>
10	21001527	SHIELD, REAR (BACK PANEL)
10	25-3092	SCREW <b>(S/P)</b>
11	25-3092	SCREW <b>(S/P)</b>
11	21001595	TIMER
12	21001525	KNOB, SELECTOR (WHT) <b>(USE 21002196)</b>
13	21001517	SHIELD, CONTROL (1 POS.) <b>(S/P)</b>
13	21001603	SHIELD, CONTROL (3 POS.) <b>(S/P)</b>
14	31001397	BUZZER <b>(S/P)</b>
15	21001813	SWITCH, ROCKER (WHT) <b>(S/P)</b>
16	21001949	HARNESS, WIRING <b>(S/P)</b>
16	21001853	HARNESS, WIRE <b>(S/P)</b>

**PAV5158AWW CUBIERTA**

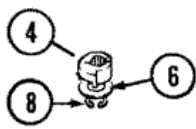
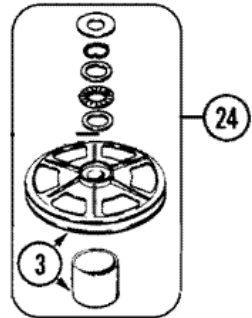
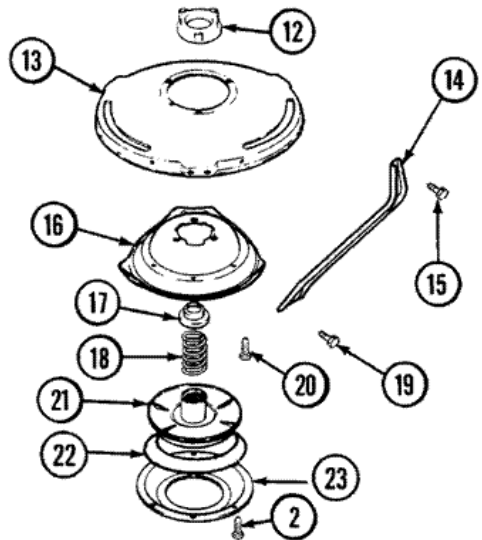
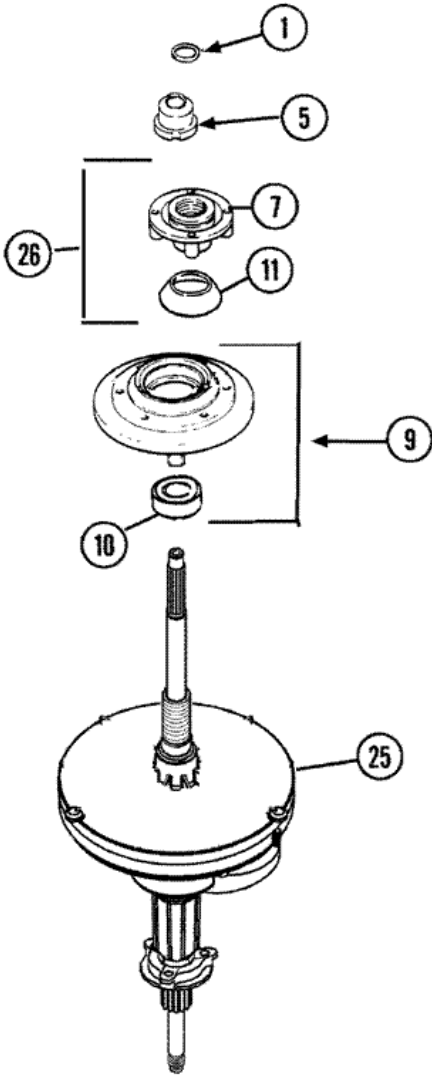




**PAV5158AWW CUBIERTA**

1	35-2026	LID (WHT) (DOOR) <b>(S/P)</b>
2	43-0057	ACTUATOR, DOOR SWITCH
3	25-7438	SCREW <b>(S/P)</b>
4	35-2045	PIN, HINGE
5	25-7893	SCREW <b>(S/P)</b>
6	35-2044	HINGE, LID
7	35-0581	BUMPER, DOOR (LID) <b>(S/P)</b>
8	35-2063	BUSHING, INSULATOR <b>(S/P)</b>
9	12001187	LID SWITCH ASSY.-W/LEADS
10	21001136	SCREW, SWITCH/HOUSING <b>(S/P)</b>
11	12001187	SWITCH, LID/DOOR SAFETY SPIN
12	21001135	HOUSING, LID SWITCH <b>(S/P)</b>
13	21001592	CORD, POWER <b>(S/P)</b>
14	21001134	LEVER, LID SWITCH <b>(S/P)</b>
15	21001602	TOP, CABINET (WHT) <b>(S/P)</b>
16	21001597	DISPENSER, BLEACH <b>(S/P)</b>

**PAV5158AWW TRANSMISION**





## PAV5158AWW TRANSMISION

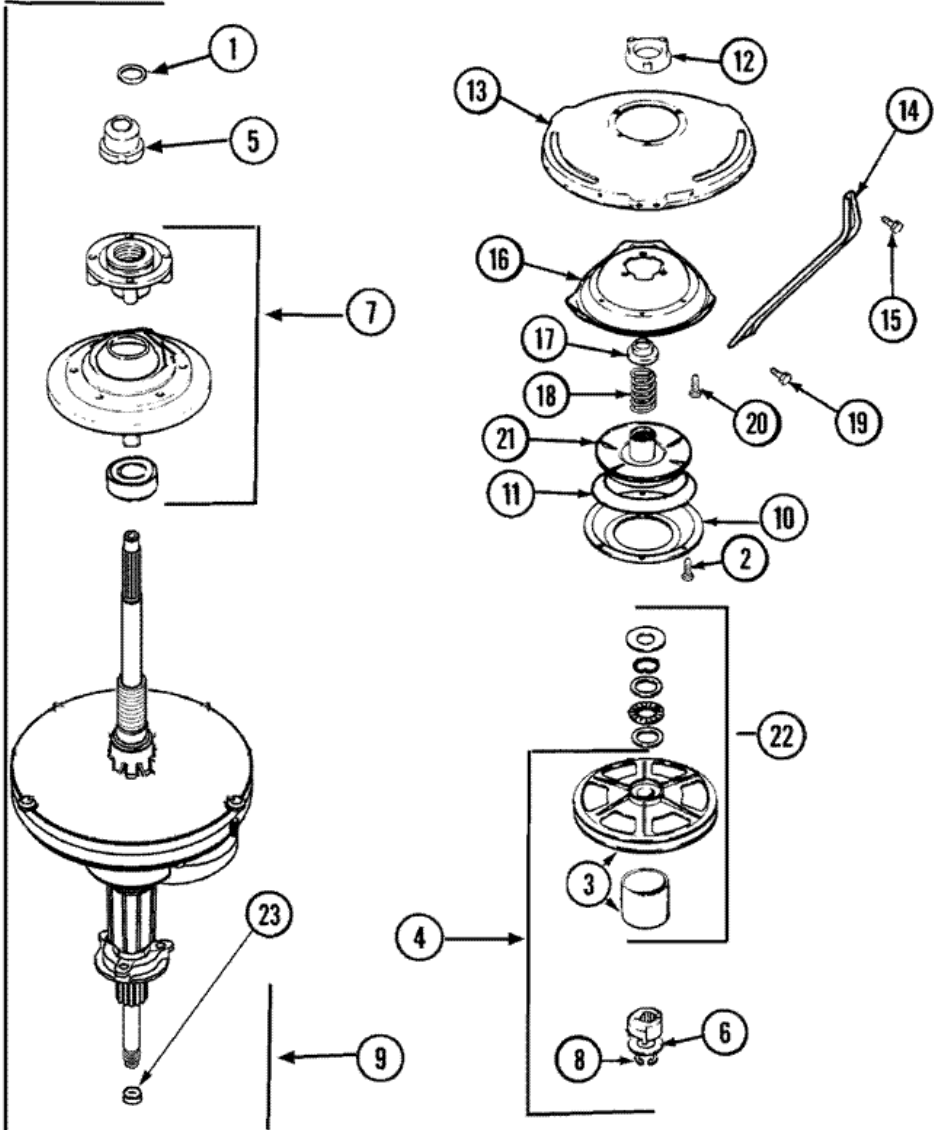
1	25-7941	``O`` RING <b>DESCONTINUADO</b>
2	21001065	SCREW, No.10-24X.50 HXNIBHD <b>(S/P)</b>
3	12002213	KIT, PULLEY & DUST CAP
4	12002213	CAM REPLACEMENT KIT
5	21001533	SEAL NUT ASSEMBLY
6	35-2132	WASHER, 1.25ODX.530IDX.032 <b>(S/P)</b>
6	35-2082	WASHER, 1.25ODX.530IDX.062
7	21002237	BASKET HUB ASSEMBLY
8	25-7854	RING, RETAINING
9	21002237	BEARING & SEAL HOUSING ASSY.
10	35-2205	BEARING, SPIN
11	33-7224N	TUB SEAL/HUB ASSY (HT TRANS)
12	35-2205	BEARING, SPIN
12	12001562	BEARING ASSEMBLY (LWR)
13	21001518	SUPPORT, TUB <b>(S/P)</b>
14	21001532	BRACE, TUB <b>(S/P)</b>
15	25-7930	SCREW 5/16-18X3/4 <b>(S/P)</b>
16	21001163	HOUSING, SUSPENSION <b>(S/P)</b>
17	35-2017	RETAINER, BRAKE SPRING
18	21001910	SPRING, BRAKE
19	25-7930	SCREW 5/16-18X3/4 <b>(S/P)</b>
20	21001509	SCREW, HIGH PERFORMANCE PLASTIC <b>(S/P)</b>
21	35-2948	BRAKE ROTOR & LINING ASSY
22	21002026	SNUBBER
23	35-6918	STATOR, BRAKE
24	12002213	THRUST BEARING KIT
25	21001867	TRANS. ASSY.(W/O SEAL/BEARING)
26	21002237	TUB SEAL ASSEMBLY

Distribuidor Autorizado

SurteRápido.com

Venta de Refacciones  
Electrodomesticas

# PAV5158AWW TRANSMISION (SERIE 17)



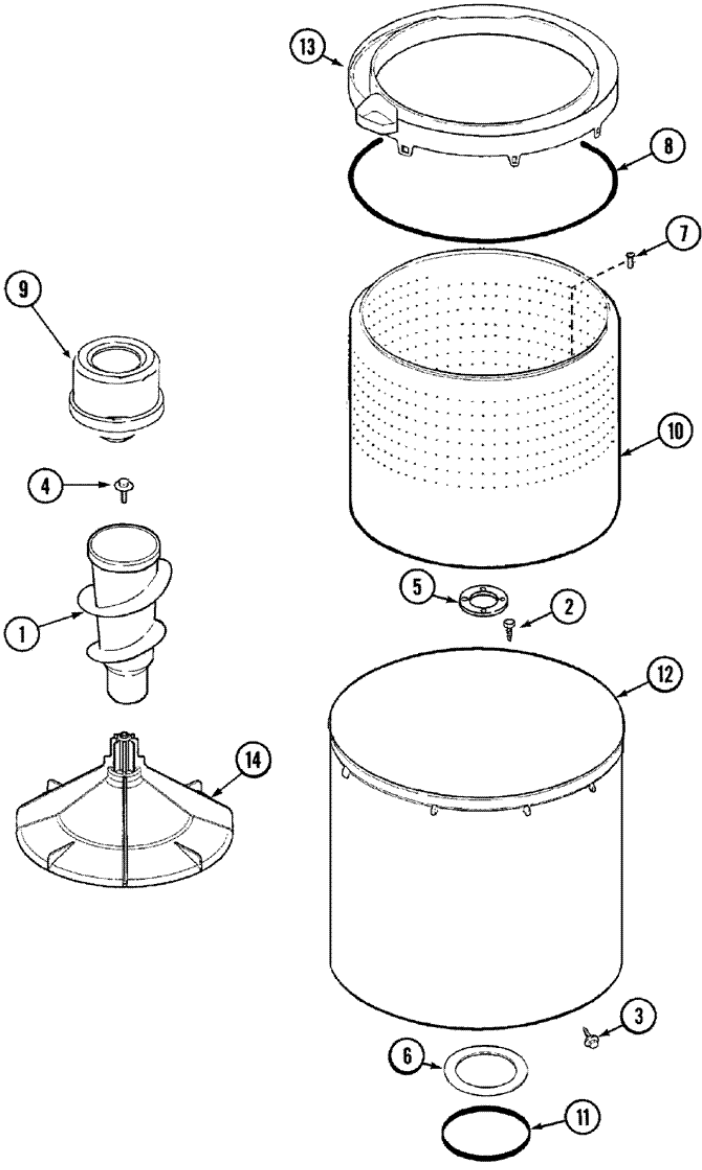


**PAV5158AWW TRANSMISION (SERIE 17)**

1	25-7941	``O`` RING
2	21001065	SCREW, No.10-24X.50 HXNIBHD (S/P)
3	12002213	KIT, PULLEY & DUST CAP
4	12002213	CAM REPLACEMENT KIT
5	21001533	SEAL NUT ASSEMBLY
6	35-2132	WASHER, 1.25ODX.530IDX.032 (S/P)
6	35-2082	WASHER, 1.25ODX.530IDX.062
7	21002237	SEAL HUB ASSEMBLY (HT TRAN)
8	25-7854	RING, RETAINING
9	21001867	HT TRANS/SEAL HUB ASSEMBLY
10	35-6918	STATOR, BRAKE
11	21002026	SNUBBER
12	12001562	HOUSING/LWR.BEARING ASSY.
12	35-2205	BEARING, SPIN
13	21001518	SUPPORT, TUB (S/P)
14	21001532	BRACE, TUB (S/P)
15	21001858	SCREW 5/16-18X1/2 (S/P)
16	21001163	HOUSING, SUSPENSION (S/P)
17	35-2017	RETAINER, BRAKE SPRING
18	21001910	SPRING, BRAKE
19	25-7930	SCREW 5/16-18X3/4 (S/P)
20	21001509	SCREW, HIGH PERFORMANCE PLASTIC (S/P)
21	35-2948	BRAKE ROTOR & LINING ASSY
22	12002213	THRUST BEARING KIT
23	207843	SEAL, TRANSMISSION HOUSING(LIP)



**PAV5158AWW TINAS**





## PAV5158AWW TINAS

1	21001878	ASSY, AUGER & POST(ASPK-PRFP)
2	21001510	SCREW <b>(S/P)</b>
3	25-7953	SCREW <b>(S/P)</b>
4	25-7948	SCREW, AGITATOR RETENTION <b>(S/P)</b>
5	35-3685	GASKET, BASKET TO CENTERPOST <b>(S/P)</b>
6	35-3686	GASKET, TUB TO HOUSING <b>(S/P)</b>
7	25-7967	SCREW, SHOULDER <b>(S/P)</b>
8	35-2328	SEAL, TUB TOP <b>DESCONTINUADO</b>
9	21001905	DISPENSER, FABRIC (ONE PIECE)
10	21001529	BASKET ASSEMBLY (PLASTIC) <b>(S/P)</b>
11	35-2978	SEAL, TUB/HOUSING <b>(S/P)</b>
12	35-3700	TUB ASSEMBLY (PLASTIC) <b>(S/P)</b>
13	21001531	TOP, TUB (PLASTIC) <b>(S/P)</b>
14	21001530	BASE, AGITATOR