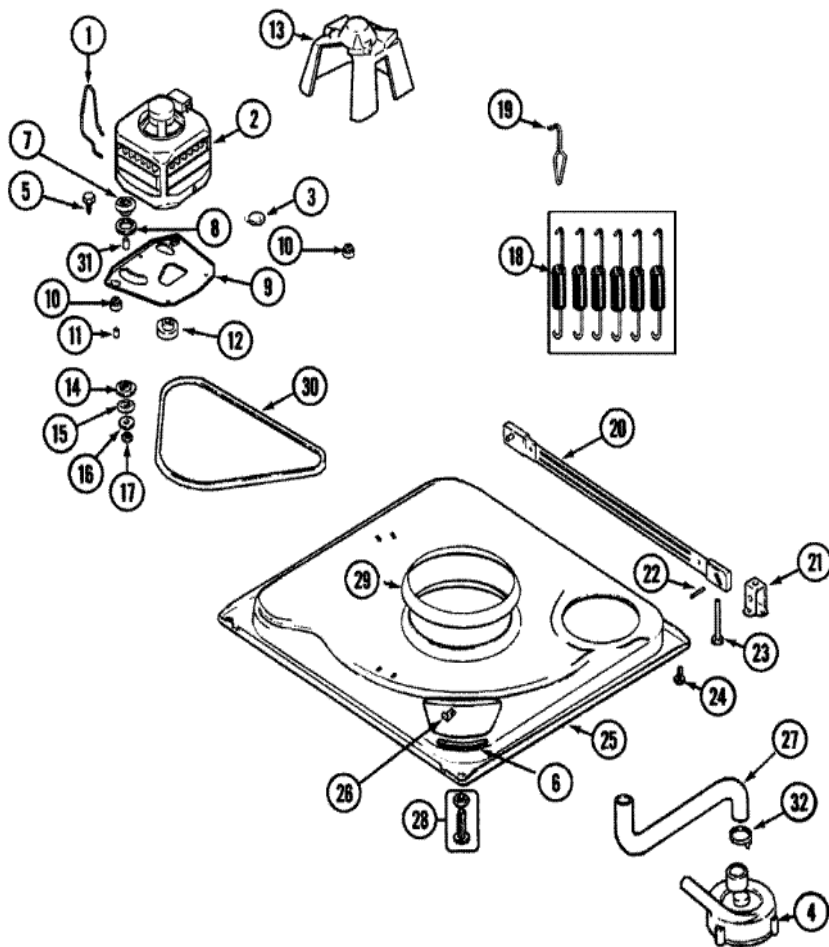


Distribuidor Autorizado

SurteRápido.com

Venta de Refacciones
Electrodomesticas

PAVT344AWW BASE





PAVT344AWW BASE

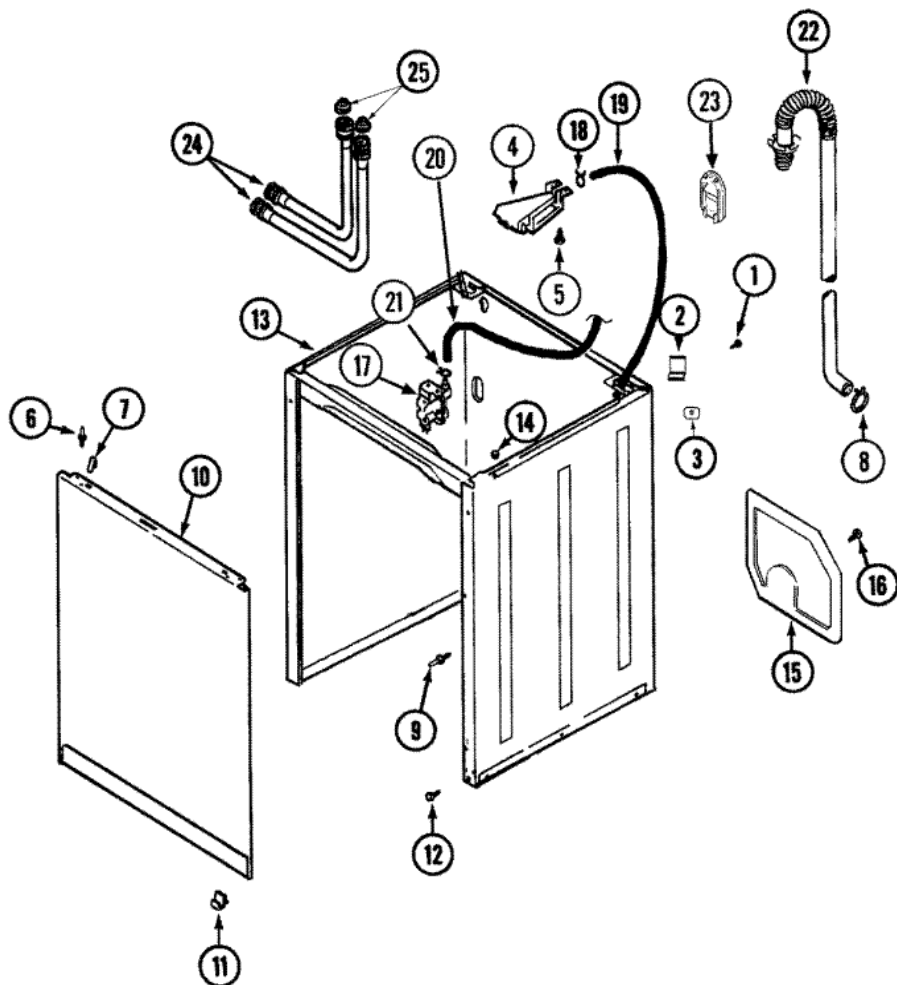
1	22004376	SPRING, MOTOR PIVOT
2	21001950	MOTOR, 2SP 1/2HP 120/60 HI-TOR
3	21001486	SLIDE, FOOT
4	21002240	PUMP
6	35-2065	PAD, MOTOR PLATE (S/P)
7	33-9946	ISOLATOR, MOTOR
8	35-3570	WASHER, MOTOR PIVOT (S/P)
9	21001783	PLATE & SCREW ASSEMBLY
10	35-3646	ISOLATOR, MOTOR PLATE (S/P)
11	25-7831	SPACER (S/P)
12	3988894	PULLEY, MOTOR-60 HZ
13	22002721	SHIELD, MOTOR (S/P)
14	35-3571	SLIDE, MOTOR PIVOT (S/P)
15	33-9967	WASHER, MOTOR ISOLATOR (S/P)
16	25-7047	WASHER, FLAT (S/P)
17	21002009	NUT, MOTOR PLATE ASY TO MOTOR (S/P)
18	21002065	DESCONTINUADO
19	21001166	HOOK, SUSPENSION SPRING
20	21001881	BAR, STABILIZER
21	35-2046	BRACKET, STABILIZER
22	35-2052	PIN, STABILIZER
23	22004469	FOOT PAD ASSY. (REAR)
25	21001893	BASE, WASHER
25	21001281	BASE SOUND KIT (S/P)
26	25-7845	SPEEDNUT (S/P)
27	21001915	HOSE, TUB TO PUMP
28	35-3507	FOOT & PAD ASSY
29	21002026	SNUBBER
30	21352320	BELT, DRIVE
31	25-7830	SPACER
32	25-6068	CLAMP, HOSE (S/P)

Distribuidor Autorizado

SurteRápido.com

Venta de Refacciones
Electrodomesticas

PAVT344AWW GABINETE





PAVT344AWW GABINETE

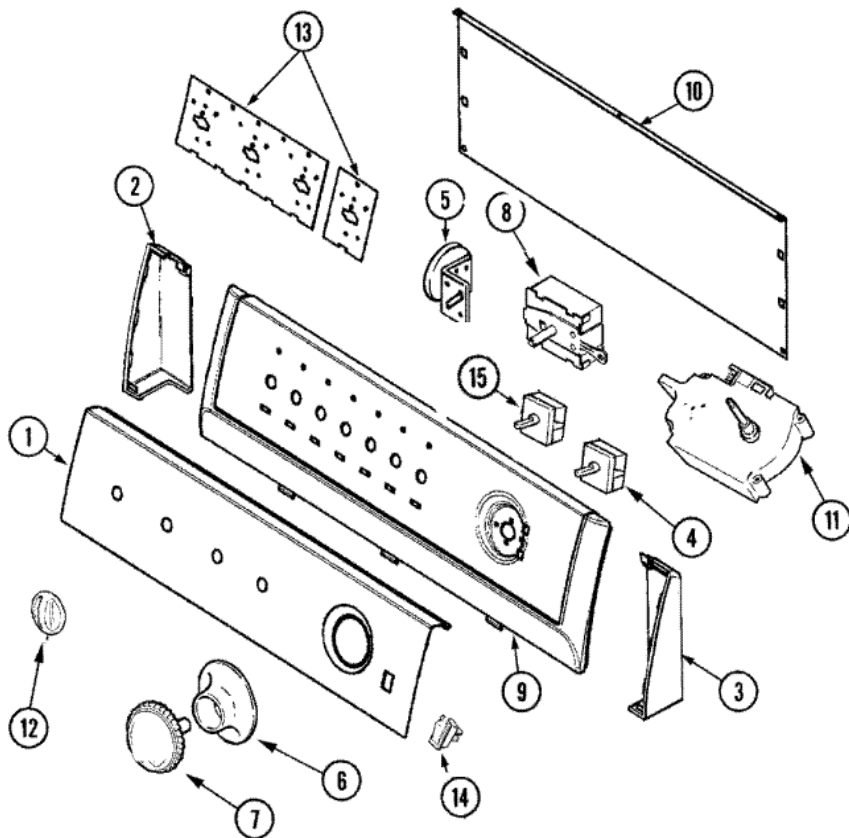
1	25-7893	SCREW (S/P)
2	35-2846	HINGE, CABINET TOP
3	35-4128	PAD, HINGE
4	21001760	FLUME ASSEMBLY /WATER DIVERTER (S/P)
5	25-3092	SCREW (S/P)
6	25-0224	NUT, LOCATOR PIN (S/P)
6	53-0643	PIN, LOCATOR (S/P)
7	25-7220	CLIP, CABINET TOP (S/P)
8	21001875	CLAMP, HOSE (S/P)
9	21001829	POST, LOCATING (S/P)
10	21001281	DAMPER, SOUND PAD (S/P)
10	21002011	PAD, CABINET (S/P)
10	35-2084	PANEL, FRONT (WHT)
11	25-7732	SCREW (S/P)
11	53-0120	CLIP, FRONT PANEL
12	35-4129	BUMPER, CABINET (S/P)
13	21001871	CABINET (WHT) (S/P)
14	33-2653	BUMPER, CABINET (S/P)
15	21001876	SHIELD, REAR (S/P)
16	25-7732	SCREW (S/P)
17	21001932	VALVE, WATER (60/40) INLET
18	25-7867	CLAMP (S/P)
19	12002749	HOSE, FLUME/DIVERTER (RUBBER) (S/P)
20	21001748	HOSE, PRESSURE SWITCH (S/P)
21	25-7796	CLAMP, PRESSURE SWITCH HOSE (S/P)
22	21001872	HOSE, DRAIN (W/BEND&STAY)
23	21001874	OUTLET, DRAIN HOSE (S/P)
24	89503	HOSE, 4' INLET
25	33-4264N	STRAINER & WASHER KIT (S/P)

Distribuidor Autorizado

SurteRápido.com

Venta de Refacciones
Electrodomesticas

PAVT344AWW TABLERO

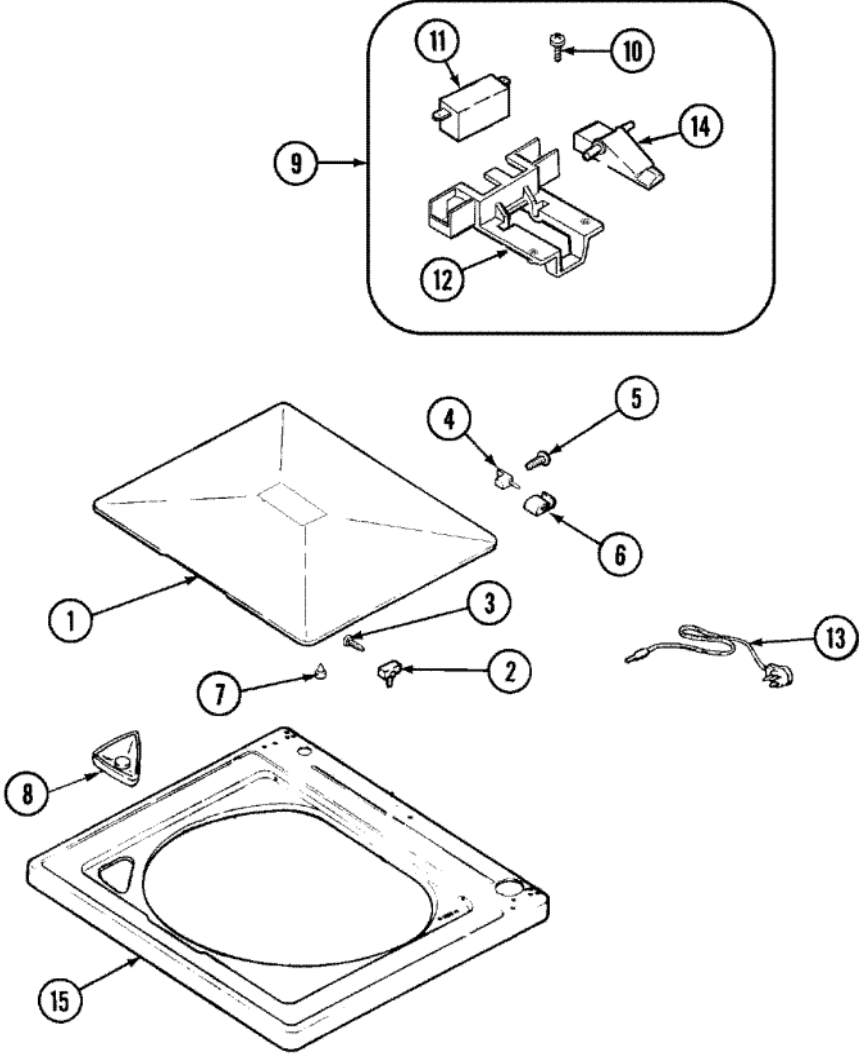




PAVT344AWW TABLERO

1	21001957	PANEL, CONTROL (WHT) (S/P)
2	25-3092	SCREW (S/P)
2	21001519	ENDCAP (WHT-LT) (S/P)
3	21001523	ENDCAP (WHT-RT)
3	25-3092	SCREW (S/P)
4	21001226	SWITCH, WATER TEMP. 4 POSITION (S/P)
4	25-3092	SCREW (S/P)
5	25-3092	SCREW (S/P)
5	21001882	SWITCH, PRESSURE (EMZ)
6	21001600	SKIRT, TIMER KNOB (WHT)
7	21001952	KNOB, TIMER (WHT)
8	21001960	SWITCH, SPEED (4 POS)
9	21002005	FRAME, CONTROL PANEL (WHT) (S/P)
10	25-3092	SCREW (S/P)
10	21001527	SHIELD, REAR (BACK PANEL) (S/P)
10	25-3457	SCREW, SEMS (S/P)
11	21001959	TIMER
11	25-3092	SCREW (S/P)
12	21001954	KNOB, SELECTOR (WHT)
13	21001603	SHIELD, CONTROL (3 POS.) (S/P)
13	21001517	SHIELD, CONTROL (1 POS.) (S/P)
14	22003981	SWITCH, MOMENTARY ROCKER (WHT) (S/P)
15	31001443	SWITCH, TWO POS (ON/OFF)ROTARY (S/P)
16	21001980	LEAD ASSEMBLY (GROUND) (S/P)
16	21001979	LEAD ASSEMBLY (DR SWITCH) (S/P)
16	21001963	HARNESS, WIRING (S/P)

PAVT344AWW TAPA

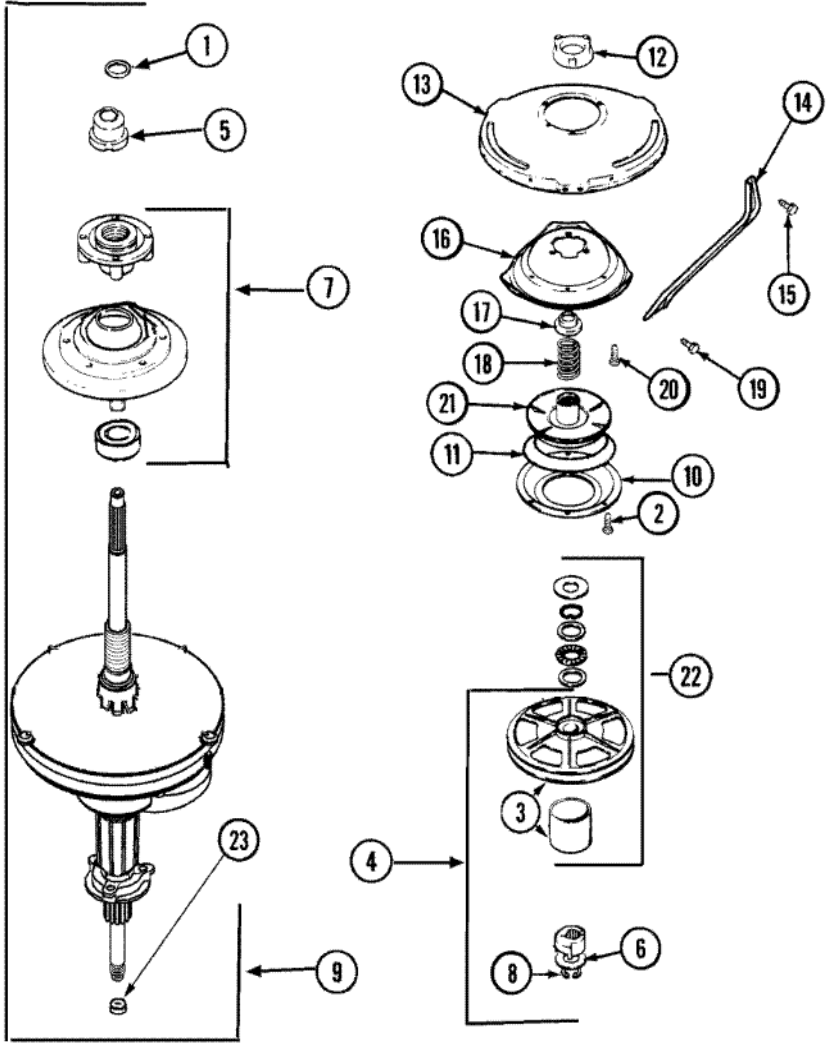




PAVT344AWW TAPA

1	35-2026	LID (WHT) (DOOR) (S/P)
2	43-0057	ACTUATOR, DOOR SWITCH
3	25-7438	SCREW (S/P)
4	35-2045	PIN, HINGE
5	25-7893	SCREW (S/P)
6	35-2044	HINGE, LID
7	35-0581	BUMPER, DOOR (LID) (S/P)
8	21001597	DISPENSER, BLEACH (S/P)
9	12001187	LID SWITCH ASSY.-W/LEADS
10	21001136	SCREW, SWITCH/HOUSING (S/P)
11	12002287	SWITCH, LID/DOOR SAFETY SPIN
12	21001135	HOUSING, LID SWITCH (S/P)
13	21001592	CORD, POWER (S/P)
14	21001134	LEVER, LID SWITCH
15	21001602	TOP, CABINET (WHT) (S/P)

PAVT344AWW TRANSMISION

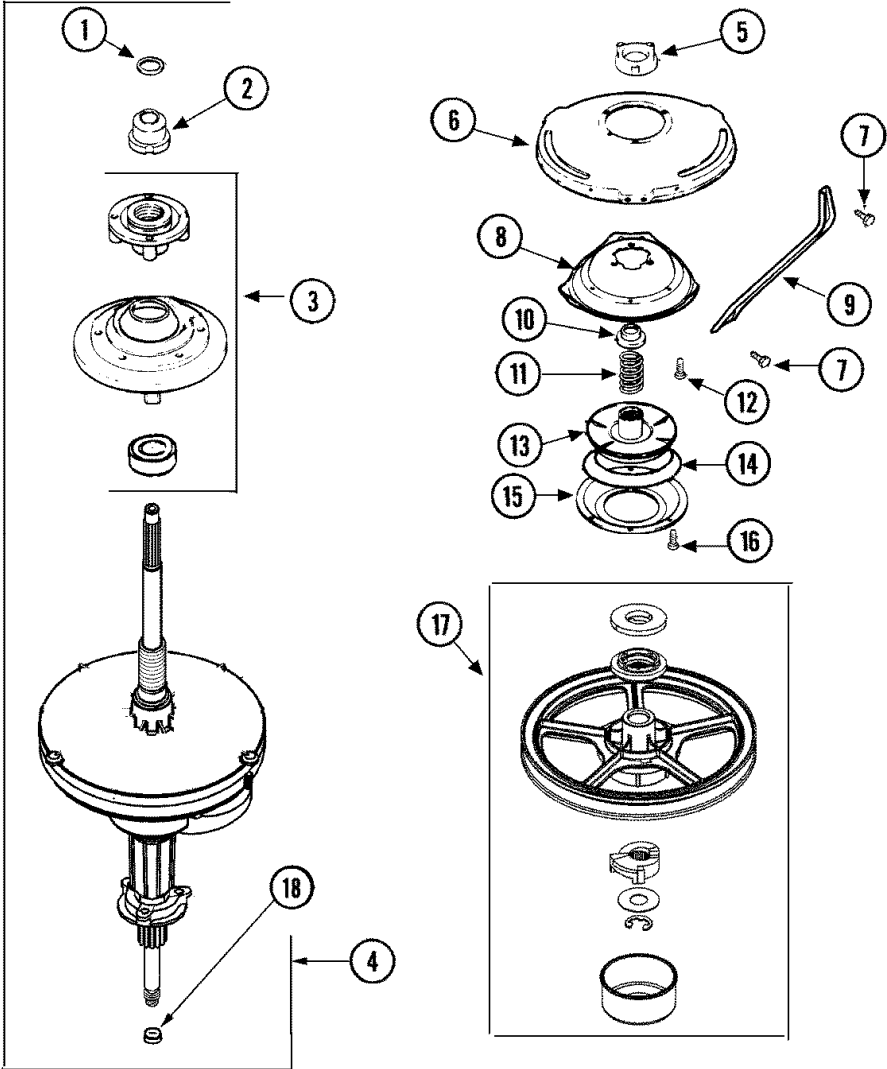




PAVT344AWW TRANSMISION

1	25-7941	DESCONTINUADO
2	21001065	SCREW, No.10-24X.50 HXNIBHD (S/P)
3	12002213	KIT, PULLEY & DUST CAP
4	12002213	CAM REPLACEMENT KIT
5	21001533	SEAL NUT ASSEMBLY
6	35-2132	WASHER, 1.25ODX.530IDX.032
6	35-2082	WASHER, 1.25ODX.530IDX.062
7	21002237	SEAL HUB ASSEMBLY (HT TRAN)
8	25-7854	RING, RETAINING
9	21001867	HT TRANS/SEAL HUB ASSEMBLY
10	35-6918	STATOR, BRAKE
11	21002026	SNUBBER
12	12001562	HOUSING/LWR.BEARING ASSY.
12	35-2205	BEARING, SPIN
13	21001518	SUPPORT, TUB (S/P)
14	21001532	BRACE, TUB (S/P)
15	21001858	SCREW 5/16-18X1/2 (S/P)
16	21001163	HOUSING, SUSPENSION (S/P)
17	35-2017	RETAINER, BRAKE SPRING
18	21001910	SPRING, BRAKE
19	25-7930	SCREW 5/16-18X3/4 (S/P)
20	21001509	SCREW, HIGH PERFORMANCE PLASTIC (S/P)
21	35-2948	BRAKE ROTOR & LINING ASSY
22	12002213	THRUST BEARING KIT
23	207843	SEAL, TRANSMISSION HOUSING(LIP)

**PAVT344AWW TRANSMISION
 (SERIE22)**

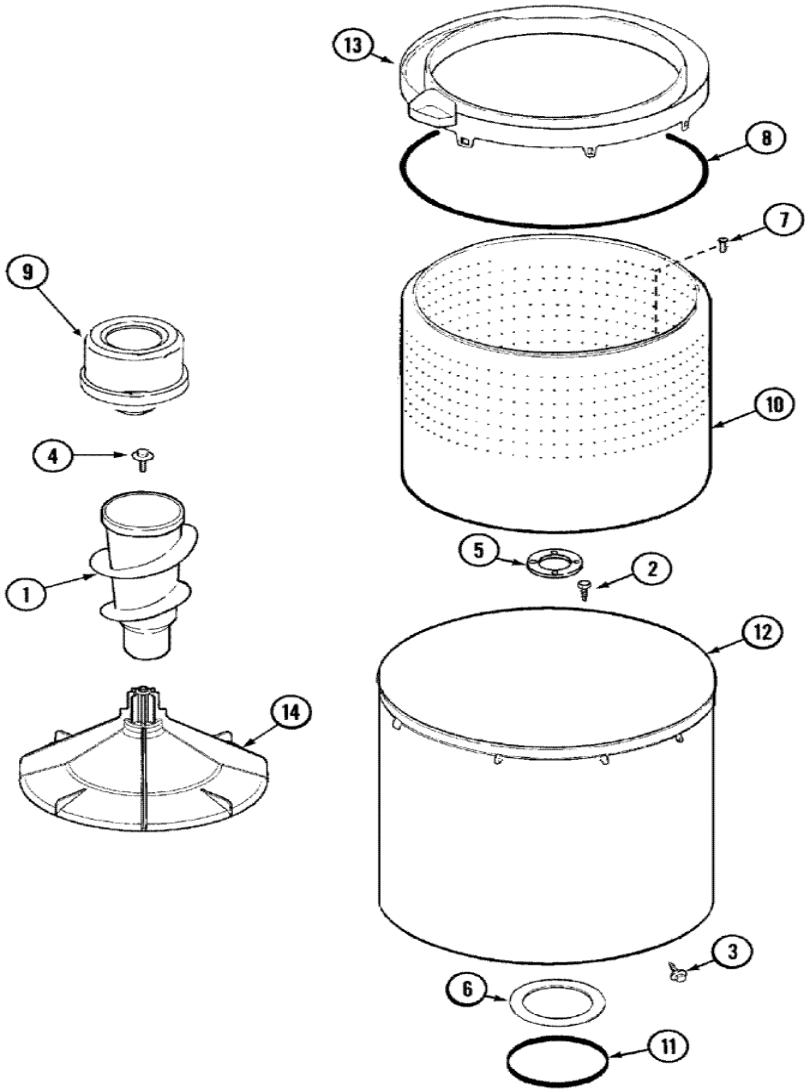




**PAVT344AWW TRANSMISION
(SERIE22)**

1	25-7941	DESCONTINUADO
2	21001533	SEAL NUT ASSEMBLY
3	21002237	SEAL HUB ASSEMBLY (HT TRAN)
4	21001867	HT TRANS/SEAL HUB ASSEMBLY
5	12001562	HOUSING/LWR.BEARING ASSY.
6	21001518	SUPPORT, TUB (S/P)
7	21001858	SCREW 5/16-18X1/2 (S/P)
8	21001163	HOUSING, SUSPENSION (S/P)
9	21001532	BRACE, TUB (S/P)
10	35-2017	RETAINER, BRAKE SPRING
11	21001910	SPRING, BRAKE
12	21001509	SCREW, HIGH PERFORMANCE PLASTIC (S/P)
13	35-2948	BRAKE ROTOR & LINING ASM
14	21002026	SNUBBER
15	35-6918	STATOR, BRAKE (S/P)
16	21001065	SCREW, No.10-24X.50 HXNIBHD (S/P)
17	12002213	THRUST BEARING KIT
18	207843	SEAL, TRANSMISSION HOUSING(LIP)

PAVT344AWW TINA

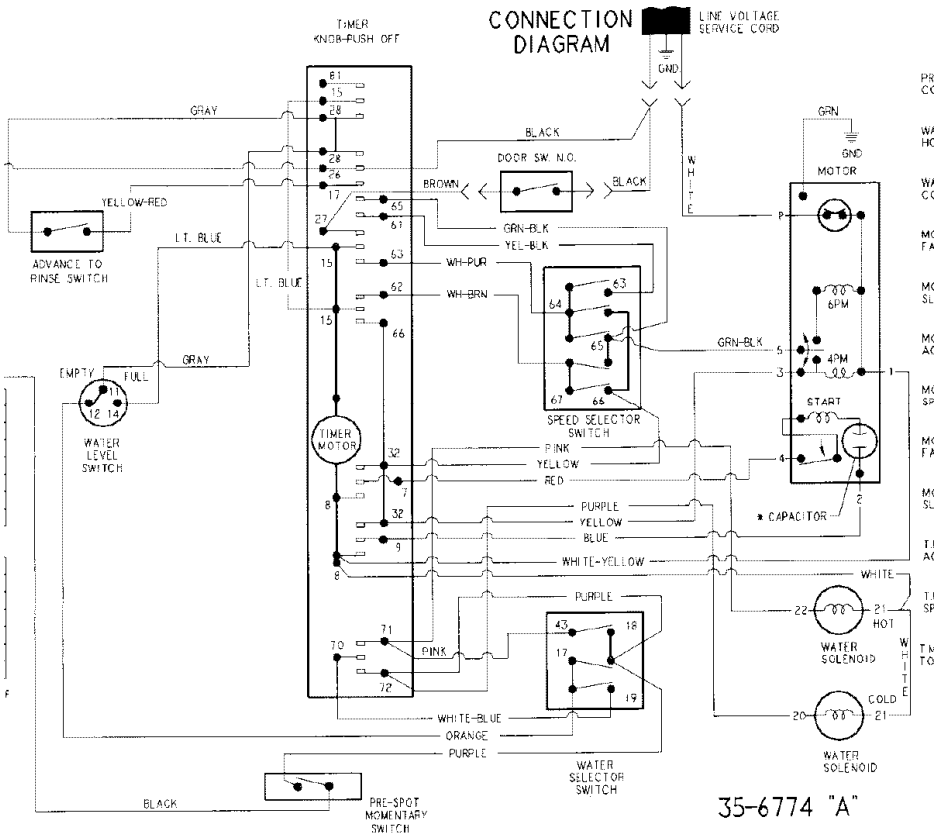




PAVT344AWW TINA

1	21001878	ASSY, AUGER & POST(ASPK-PRFP)
2	21001510	SCREW (S/P)
3	25-7953	SCREW (S/P)
4	25-8004	SCREW, AGITATOR RETENTION
5	35-3685	GASKET, BASKET TO CENTERPOST (S/P)
6	35-3686	GASKET, TUB TO HOUSING (S/P)
7	25-7967	SCREW, SHOULDER (S/P)
8	35-2328	SEAL, TUB TOP
9	21001905	DISPENSER, FABRIC (ONE PIECE)
10	21001529	BASKET ASSEMBLY (PLASTIC) (S/P)
11	35-2978	SEAL, TUB/HOUSING (S/P)
12	35-3700	TUB ASSEMBLY (PLASTIC) (S/P)
13	21001531	TOP, TUB (PLASTIC)
14	21001530	BASE, AGITATOR

PAVT344AWW TINA



SWITCH AND TIMER SEQUENCE

TO CHANGE TIMER POSITION PUSH KNOB IN AND TURN CLOCKWISE (ALL TIMER CONTACTS WILL OPEN)