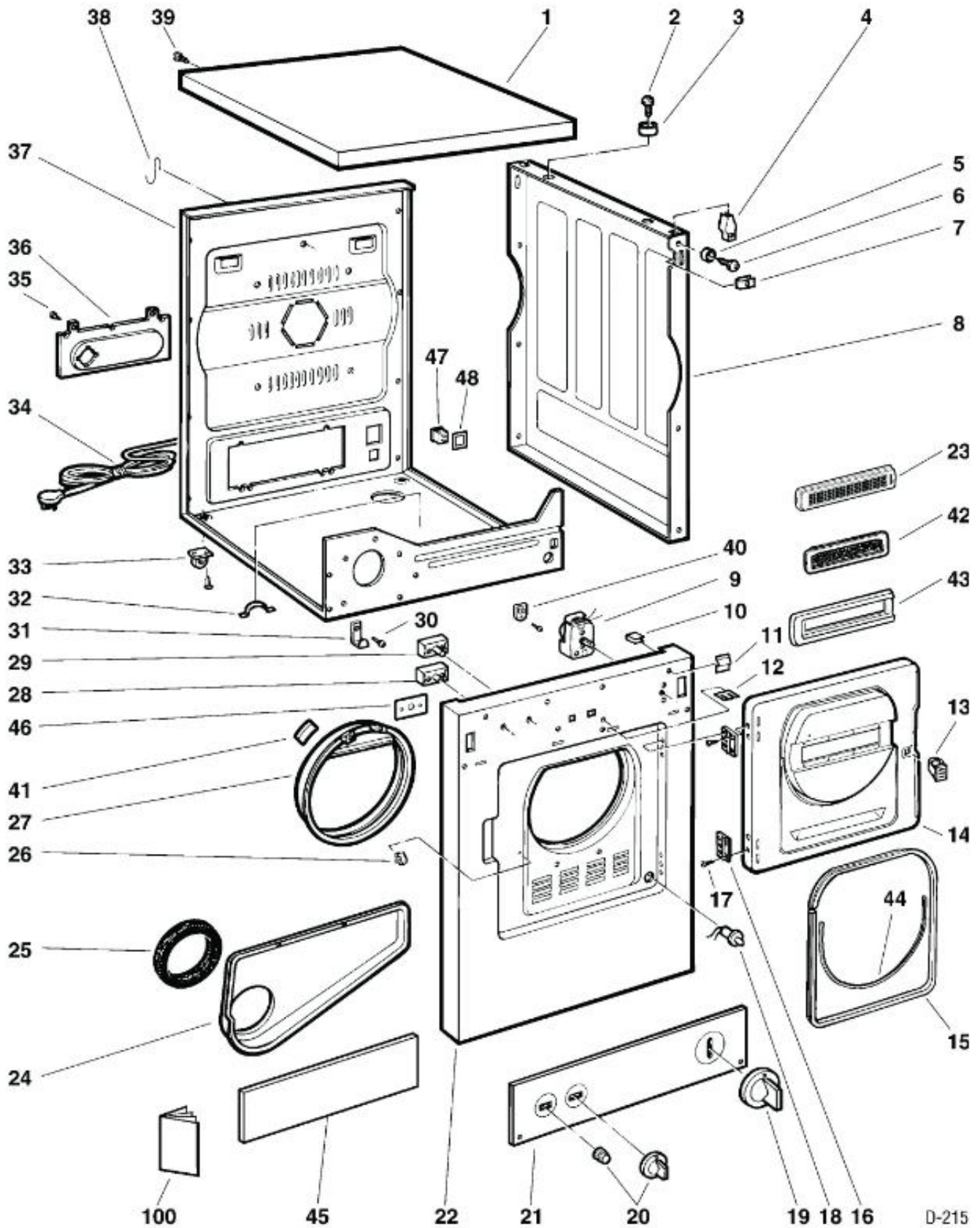


SECADORA PCKS443EB0WW

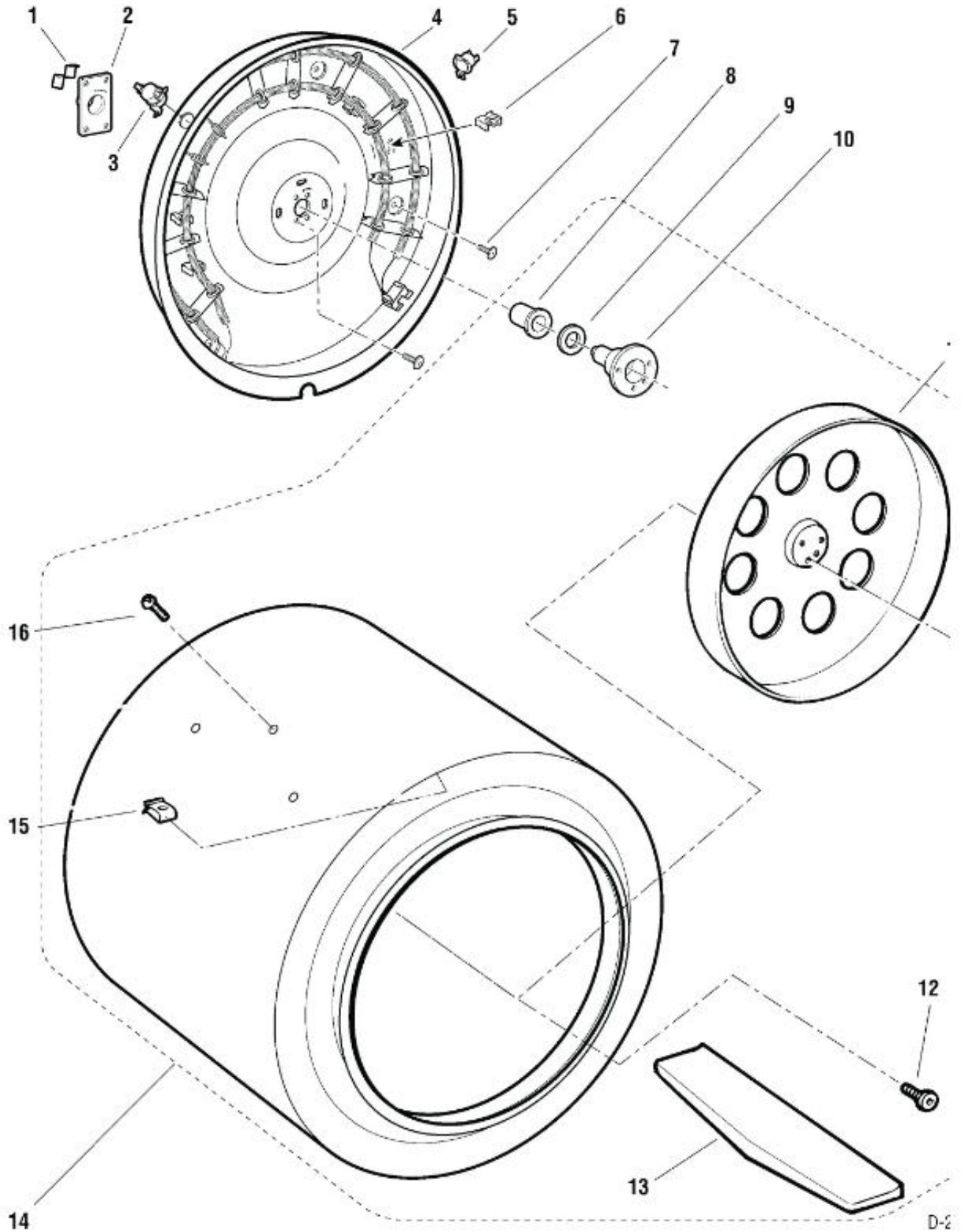


Distribuidor Autorizado

SurteRápido.com

Venta de Refacciones
Electrodomesticas

SECADORA PCKS443EB0WW

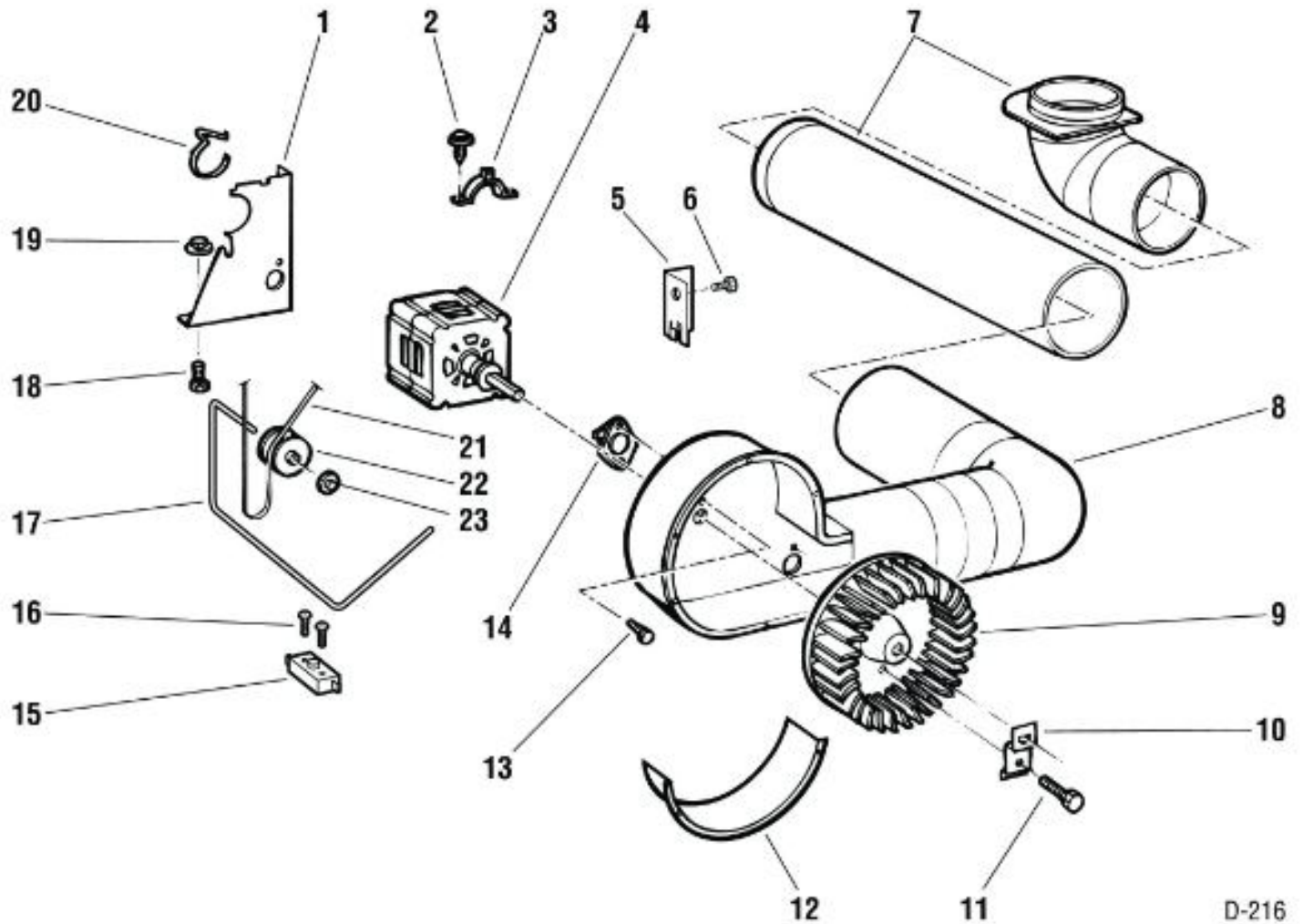


Distribuidor Autorizado

SurteRápido.com

Venta de Refacciones
Electrodomesticas

SECADORA PCKS443EB0WW



D-216

Distribuidor Autorizado

SurteRápido.com

Venta de Refacciones
Electrodomesticas



SECADORA PCKS443EB0WW

| Guía | Componente | Descripción |
|------|------------|------------------------|
| 1 | WE13M36 | SUPPORT MOTOR |
| 1 | WE20M208 | TOP COVER W |
| 1 | WE1X627 | GROUND STRAP |
| 2 | WE2M97 | SCREW |
| 2 | WH2M270 | SCREW |
| 2 | WE1M300 | BUJE PARA SECADORA |
| 3 | WE4M136 | THERMOSTAT |
| 3 | WE13X182 | STRAP MOTOR |
| 4 | WE11M25 | HEATER ASSY (240V MTY) |
| 4 | WE17M24 | MOTOR & PULLEY |
| 4 | WE1M195 | CLIP |
| 5 | WE4M137 | THERMOSTATO |
| 5 | WE1M226 | BUMPER |
| 5 | WE1M493 | BRACKET, BELT SWITCH |
| 6 | WE2M175 | SCREW T |
| 6 | WE1M452 | CERAMIC INSULATOR |
| 7 | WE2X196 | CLIP |
| 7 | WE1M280 | SCREW |
| 7 | WE14M41 | PLATE ELBOW |
| 8 | WE14M97 | BLOWER HOUSING ASM. |
| 8 | WE20M202 | SIDE PANEL W |
| 8 | WE1M462 | SLEEVE BEARING |
| 9 | WE16X16 | BLOWER WHEEL |
| 9 | WE4M285 | TIMER ASM. |
| 9 | WE1M461 | O RING |
| 10 | WE1X406 | CLIP, CABLE |
| 10 | WE1X688 | CLAMP FAN |
| 10 | WE3X39 | SOPORTE |
| 10 | WE3M33 | SOPORTE |
| 10 | WE3M33 | SHAFT & BRACKET ASM |
| 11 | WE2M95 | SPEEDCLIP |
| 11 | WE2M142 | SCREW, FAN CLAMP |
| 11 | WE14M19 | HEAT DEFLECTOR |
| 12 | WE1M317 | RETAINER |
| 12 | WE1X689 | BAFFLE |

Distribuidor Autorizado

SurteRápido.com

Venta de Refacciones
Electrodomesticas



SECADORA PCKS443EB0WW

| Guía | Componente | Descripción |
|------|--------------|--------------------------|
| 12 | WE2M163 | SCREW #10 |
| 13 | WE1M197 | LATCH DOOR |
| 13 | WE14M32 | BAFFLE DRUM |
| 14 | WE10M86 | OUTER DOOR W |
| 14 | WE10M94 | INNER DOOR WH |
| 14 | WE21M17 | DRUM (3.5-2K1) |
| 14 | WE4M286 | THERMOSTAT, BIASED |
| 15 | WE9M16 | SELLO PUERTA |
| 15 | WE1X762 | CLIP |
| 15 | WD21X557 | SWITCH INTER. |
| 16 | WE1M394 | HINGE DOOR |
| 16 | WE2M167 | SCREW |
| 16 | WE2M174 | SCREW #10 |
| 17 | WE2M153 | SCREW |
| 17 | WE3M18 | SPRING |
| 18 | WE4M41 | SWITCH DOOR |
| 18 | WE2X194 | SCREW (12) |
| 19 | WE2X154 | NUT |
| 19 | WE1M450 | TIMER KNOB ASM. (WHITE) |
| 20 | WE1M451 | KNOB |
| 20 | WE1M361 | BUTTON SWITCH |
| 20 | WE1X921 | MOTOR STRAP |
| 20 | 189D1233G001 | KNOB |
| 20 | 143B8986G025 | PERILLA ROTAT. G.E. ENS. |
| 21 | WE19M1251 | TRIM, SWITCH |
| 21 | WE12M9 | BELT |
| 22 | WE20M309 | PANEL, FRONT (WHITE) |
| 22 | WE12M8 | PULLEY IDLER |
| 23 | WE1M406 | GRID |
| 23 | WE2M96 | NUT CAP |
| 23 | WE2X329 | NUT CAP |
| 24 | WE14M60 | TRAP DUCT |
| 25 | WE9X35 | SEAL FELT |
| 26 | WE1X1192 | TOPE PUERTA |
| 27 | WE3M21 | SLIDE BEARING |

Distribuidor Autorizado

SurteRápido.com

Venta de Refacciones
Electrodomesticas



SECADORA PCKS443EB0WW

| Guía | Componente | Descripción |
|------|------------|----------------------|
| 28 | WE4M145 | SWITCH |
| 29 | WE4M242 | SWITCH TEMP |
| 30 | WE2X263 | SCREW |
| 30 | WE2X263D | SCREW |
| 31 | WE1M193 | BRACKET EXPORT |
| 34 | WE26M327 | CORD SET T |
| 36 | WE1M194 | KNOCKOUT |
| 36 | WE1M341 | PLATE, COVER |
| 37 | WE1M225 | COVER KNOCKOUT |
| 37 | WE20M312 | BASE, CABINET |
| 38 | WE1M155 | CORD CLIP |
| 39 | WH2M388 | SCREW |
| 39 | WR2X9260 | SCREW |
| 40 | WE4M255 | RESISTOR 45000 OHM |
| 41 | WE1M404 | SLIDE |
| 42 | WE18M20 | FILTER |
| 43 | WE1M407 | SLIDE |
| 44 | WE9M17 | GASKET |
| 45 | WE1M465 | INSULATION, CABINET |
| 46 | WE1M456 | SHIELD, START SWITCH |
| 47 | WE4M118 | RECEPTACLE |
| 48 | WE1M455 | PLATE, RECEPTACLE |
| 100 | WE6M554 | GUIDE, USE & CARE |
| 100 | WE6M566 | DIAGRAM, WIRING |