

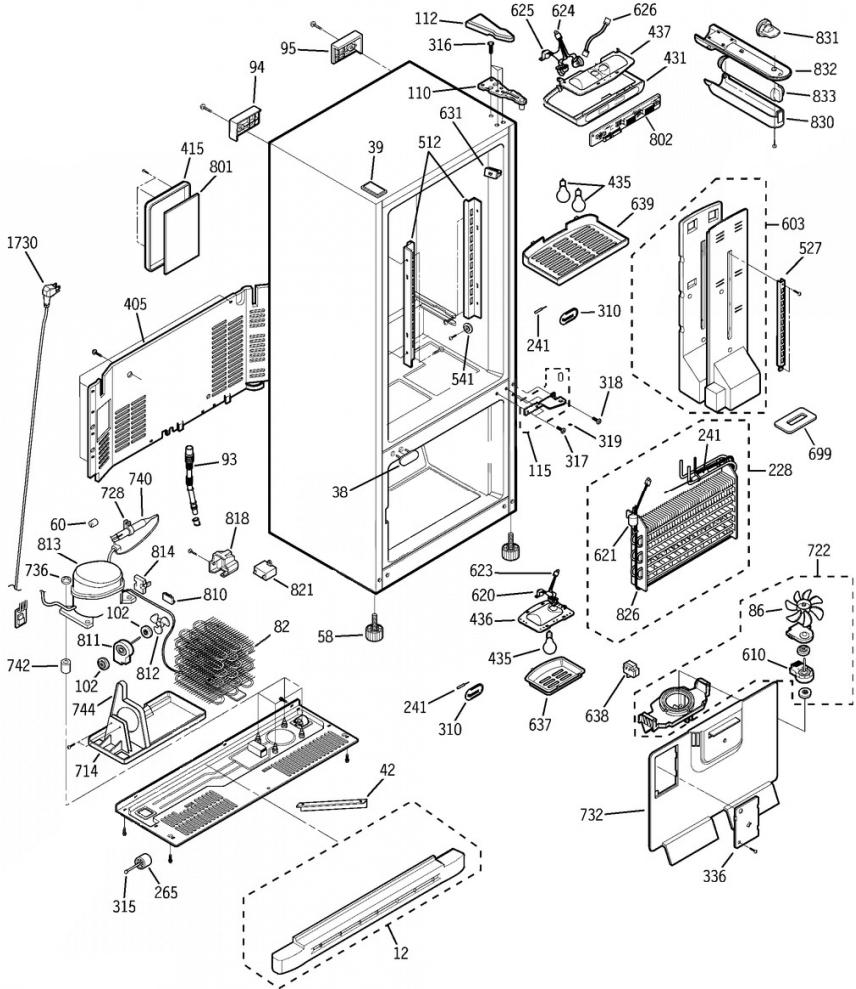
Distribuidor Autorizado

SurteRápido.com

Venta de Refacciones
Electrodomesticas



PDS22SISBLSS CABINET





PDS22SISBLSS CABINET

12	WR74X10203	COVER ASM,LOWER (S/P)
38	WR02X11693	CAP,HINGE(C) BK (S/P)
39	WR02X11692	CAP,HINGE(U) BK (S/P)
42	WR02X12064	AIR DIVIDER (S/P)
58	WR02X12262	LEVELLING LEG QTY: 2 (S/P)
60	4J04328A	RUBBER WEIGHT - LARGE (S/P)
82	WR84X10057	CONDENSER ASM (S/P)
86	WR60X10147	EVAP FAN BLADE (S/P)
93	WR02X11697	DRAIN TUBE (S/P)
94	WR02X12138	SUPPORT CAB LEFT (S/P)
95	WR02X12139	SUPPORT CAB RIGHT (S/P)
102	WR02X11694	GROMMET - RUBBER QTY: 2 (S/P)
110	WR13X10303	HINGE ASM UPPER (S/P)
112	WR02X11660	COVER,HINGE(U) BK (S/P)
115	WR13X10304	HINGE ASM CENTER (S/P)
228	WR85X10057	EVAPORATOR ASM (S/P)
241	WR55X10025	SENSOR QTY: 3
265	WR02X11698	ROLLER QTY: 4 (S/P)
310	WR02X11664	COVER THERMISTOR QTY: 2 (S/P)
315	4J04238A	ROLLER PIN QTY: 4 (S/P)
316	WR01X10524	HINGE UPPER BOLT (S/P)
317	WR01X10476	HINGE CNTR BOLT BK QTY: 2 (S/P)
318	WR01X10477	SCREW HINGE CENTER BK QTY: 2 (S/P)
319	WR01X10471	WASHER HINGE CENTER (S/P)
336	WR02X11669	COVER GRILLE FAN (S/P)
405	WR02X11670	ACCESS COVER (S/P)
415	WR02X12269	COVER PWB (S/P)
431	WR17X11976	CASE ASM,DISPLAY (S/P)
435	60A	LAMP INCANDESCENT QTY: 3 (S/P)
436	WR02X11656	REFLECTOR,LAMP FZ (S/P)
437	WR02X11657	REFLECTOR,LAMP FF (S/P)
512	WR72X10151	HOLDER SHELF QTY: 2 (S/P)
527	WR71X10541	HOLDER SHELF (S/P)

541	WR02X11683	HOLDER, BRACKET QTY: 2 (S/P)
603	WR09X10114	DAMPER ASM (S/P)
610	WR60X10196	EVAP MOTOR FAN (S/P)
620	WR50X10044	THERMOSTAT-BI-METAL (S/P)
621	WR50X10047	THERMODISC(FUSE-M) (S/P)
623	WR02X11699	SOCKET ASM,LAMP FZ (S/P)
624	WR02X11700	SOCKET ASM,LAMP FF (S/P)
625	WR50X10050	THERMODISC FF (S/P)
626	WR23X10430	HARNESS,JOINT (S/P)
631	WR23X10429	SWITCH DOOR FF (S/P)
637	WR02X11658	COVER LAMP FZ (S/P)
638	WR23X10342	SWITCH LIGHT FZ (S/P)
639	WR02X12066	COVER LAMP,FF (S/P)
699	WR14X10239	DAMPER ASM GASKET (S/P)
714	WR30X10048	TRAY DRIP (S/P)
722	WR60X10146	EVAP MOTOR ASM (S/P)
728	WR02X12376	HOLDER DRIER (REPLACES: WR02X11702) (S/P)
732	WR17X11594	EVAP FAN CVR ASM (S/P)
736	WR02X11306	STOPPER COMP QTY: 4 (S/P)
740	WR86X96	DRIER (REPLACES: WR86X96) (S/P)
742	WR02X11787	GROMMET - RUBBER QTY: 4 (S/P)
744	WR17X11583	GUIDE FAN (S/P)
801	WR55X10942	BOARD CONTROL (REPLACES: WR55X10416)
802	WR55X10522	PWB DISPLAY ASM (S/P)
810	WR08X10061	OVERLOAD (S/P)
811	WR84X10055	CONDENSER FAN MOTOR (S/P)
812	WR60X10148	CONDENSER FAN BLADE (S/P)
813	WR87X10211	COMPRESSOR (REPLACES: WR87X10097) (S/P)
814	WR07X10086	P.T.C RELAY (S/P)
818	WR02X11786	COVER PTC (S/P)
821	WR62X79	CAPACITOR (REPLACES: WR62X10040) (S/P)
826	WR50X10042	DEFROST HEATER (S/P)
830	WR02X11713	COVER,FILTER(LOWER) (S/P)
831	WR02X11613	CAP FILTER BYPASS (S/P)
832	WR02X11714	COVER FILTER(UPPER) (S/P)
833	GSWF	WATER FILTER CATRIDGE
1730	WR23X10300	POWER CORD ASM (S/P)

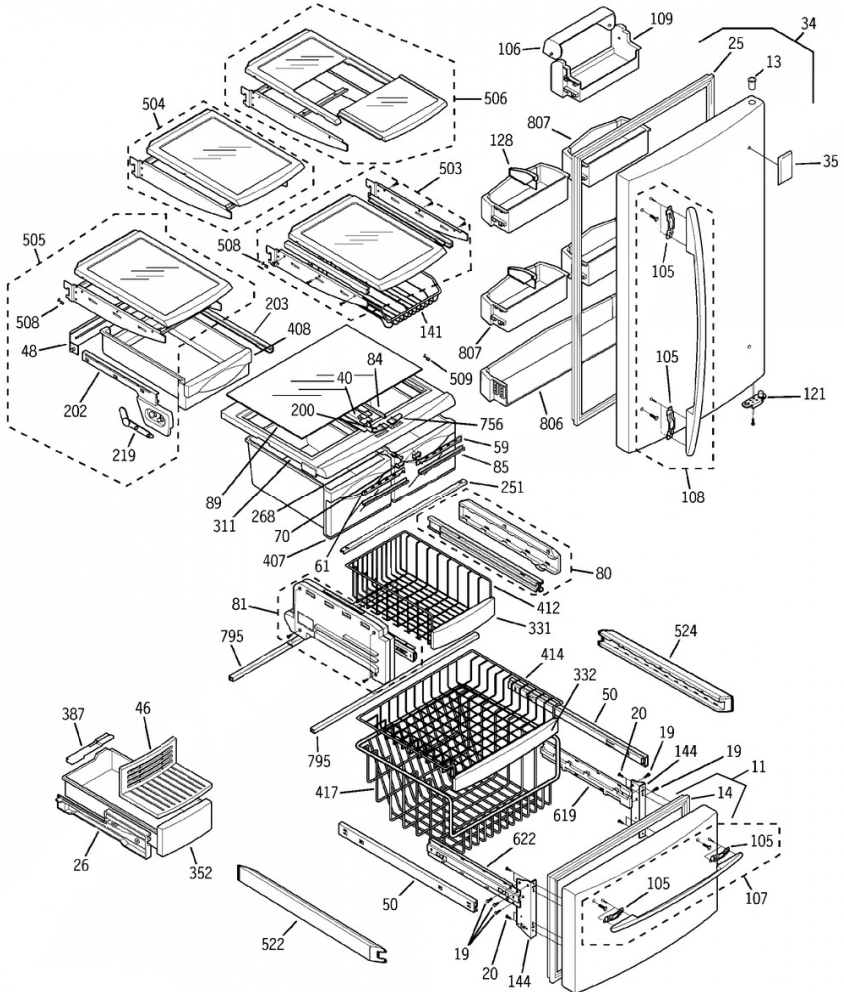
Distribuidor Autorizado

SurteRápido.com

Venta de Refacciones
Electrodomesticas



PDS22SISBLSS DOORS & SHELVES



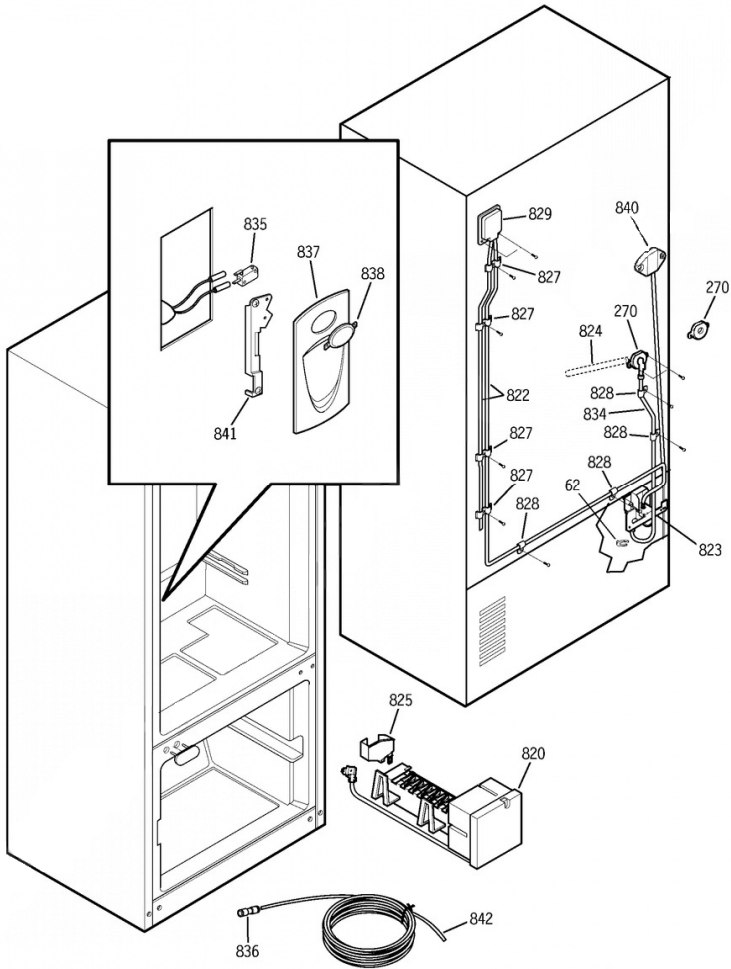


PDS22SISBLSS DOORS & SHELVES

11	WR78X11386	DOOR ASM,FZR SS (S/P)
13	WR01X10493	BUSH (S/P)
14	WR14X10177	GASKET ASM FZ BB
19	WR01X10637	SCREW DRAWING QTY: 6 (S/P)
20	WR01X10638	SCREW DRAWING QTY: 8 (S/P)
25	WR14X10183	GASKET ASM FF (REPLACES: WR02X11691) (S/P)
26	WR17X11585	GUIDE RAIL(ICE)BIN (S/P)
34	WR78X11389	DOOR ASM, FF SS (S/P)
34	WR78X11387	DOOR ASM,FF SS (S/P)
35	WR04X10138	NAME PLATE (S/P)
40	WR02X11684	GUIDE RAIL(MIDDLE T/V) (S/P)
46	WR30X10050	SHELF ICE TRAY (S/P)
48	WR17X11584	GUIDE AIR (S/P)
50	WR17X12450	RAIL ASM QTY: 2 (REPLACES: WR17X11931) (S/P)
59	WR02X11673	LINK,HUMIDITY LEFT (S/P)
61	WR02X11674	LINK,HUMIDITY RIGHT (S/P)
70	WR02X11701	RAIL SLIDE CENTER QTY: 2 (S/P)
80	WR17X12421	RAIL SLIDE ASM RH (WR17X12056) (S/P)
81	WR17X12422	RAIL SLIDE ASM LH (WR17X12057) (S/P)
84	WR14X10176	MIDDLE GASKET (S/P)
85	WR14X10175	FRONT GASKET QTY: 2 (S/P)
89	WR32X10465	GLASS COVER VEG PAN (S/P)
105	WR01X10485	BOLT DOOR HANDLE QTY: 4 (S/P)
106	WR02X11665	DAIRY DOOR CVR (S/P)
107	WR12X10780	HANDLE ASM HYDROFORM FZ (S/P)
108	WR12X10781	HANDLE ASM HYDROFORM FF (S/P)
109	WR71X10536	DAIRY BIN (S/P)
121	WR02X11675	STOPPER,DOOR BK (S/P)
128	WR02X11680	SNUGGER QTY: 2 (S/P)
141	WR21X10081	CAN DISPENSER (S/P)
144	WR02X11687	CONNECTOR DOOR QTY: 2 (S/P)
200	WR02X11689	SHUTTER SLIDE (S/P)
202	WR72X10148	GUIDE ASM,RAIL (S/P)

203	WR02X11685	GUIDE, RAIL (S/P)
219	WR02X11672	LEVER SHUTTER (S/P)
251	WR02X11703	SUPPORTOR COVER T/V (S/P)
268	WR02X11671	ADJUSTER (S/P)
311	WR02X11666	FRAME - LOWER PAN (S/P)
331	WR12X10657	FZR BSKT UPPER HANDLE (S/P)
332	WR12X10658	FZR BSKT W/TRIM (S/P)
352	WR30X10052	ICE BIN (S/P)
387	WR02X11662	COVER ICE BIN (S/P)
407	WR32X10463	VEG PAN QTY: 2 (S/P)
408	WR32X10464	SNACK PAN (S/P)
412	WR21X10080	FZR BSKT - UPPER (S/P)
414	WR21X10079	FZR BSKT - CTR (S/P)
417	WR21X10078	FZR BSKT LOWER (S/P)
503	WR32X10501	SHELF ASM (S/P)
504	WR71X10571	SHELF ASM (REPLACES: WR71X10563) (S/P)
505	WR71X10564	SHELF ASM (S/P)
506	WR71X10565	SHELF ASM,FOLDING (S/P)
508	WR02X12053	SHELF STOPPER QTY: 4 (S/P)
509	WR02X12054	COVER STOPPER QTY: 2 (S/P)
522	WR17X12450	RAIL SUPPORT LEFT (WR02X12035) (S/P)
524	WR17X12450	RAIL SUPPORT RIGHT (WR02X12036) (S/P)
619	WR17X12450	CONNECTOR ASM RIGHT (WR17X11587) (S/P)
622	WR17X12450	CONNECTOR ASM LEFT (WR17X11588) (S/P)
756	WR02X11688	SHUTTER SLIDE (S/P)
795	WR30X10051	SUPPORTOR,DIVIDER QTY: 2 (S/P)
806	WR17X11586	DOOR BIN (S/P)
807	WR71X10532	DOOR BIN FZ QTY: 4 (S/P)

PDS22SISBLSS WATER SYSTEM





PDS22SISBLSS WATER SYSTEM

62	WR01X10642	CLIP (S/P)
270	WR02X11690	GROMMET FILL TUBE (S/P)
820	WR30X10012	ICEMAKER ASM
822	WR17X11981	FILTER ASM,HEAD (S/P)
823	WR57X10055	DUAL WATER VALVE (S/P)
824	WR02X11712	FILL TUBE (S/P)
825	WR29X10046	GUIDE WATER (REPLACES: WR02X11711) (S/P)
827	WR02X11710	HOLDER QTY: 5 (S/P)
828	WR02X11709	BAND MECH ASM QTY: 4 (S/P)
829	WR02X11984	COVER,TUBE (S/P)
834	WR17X12006	TUBE ASSEMBLY, INJECT (S/P)
835	WR23X10333	MICRO SWITCH (S/P)
836	WR02X10471	CONNECTOR,TUBE (S/P)
837	WR17X11796	COVER, DISPENSER (S/P)
838	WR02X11934	BUTTON,ASM (S/P)
840	WR02X11931	CAP,COVER (S/P)
841	WR11X10015	COVER,LEVER (S/P)
842	WR17X11802	TANK,ASSEMBLY WATER (S/P)