

Distribuidor Autorizado

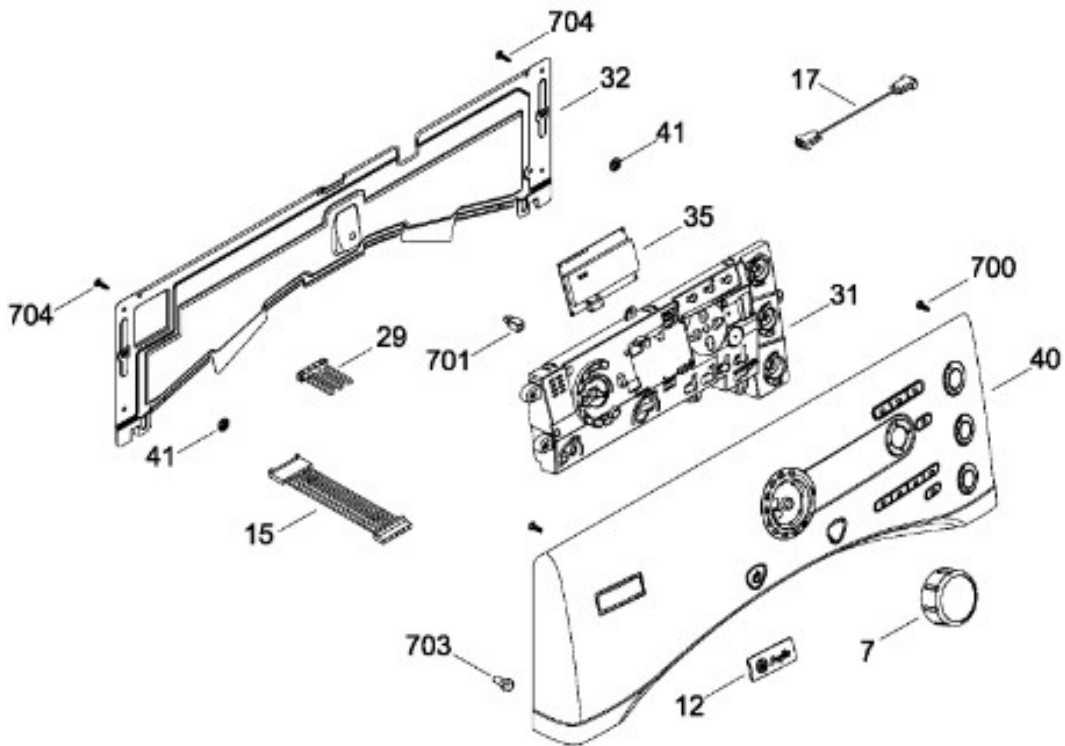
SurteRápido.com

Venta de Refacciones
Electrodomesticas

SECADORA PFDN445GL1MG

CONTROL & BACKSPLASH

PFDN445GL1MG



Distribuidor Autorizado

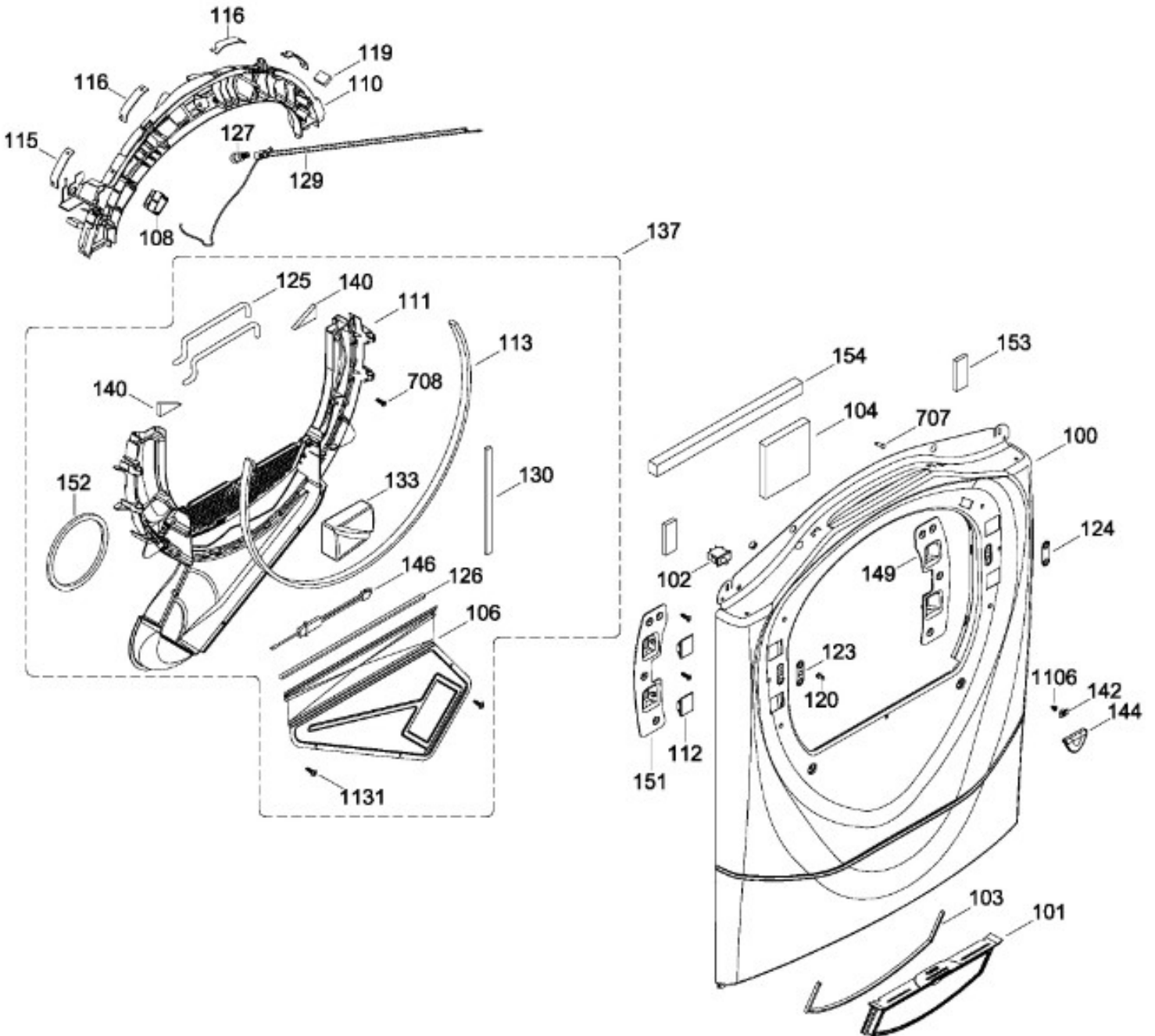
SurteRápido.com

Venta de Refacciones
Electrodomesticas

SECADORA PFDN445GL1MG

FRONT PANEL

PFDN445GL1MG



Distribuidor Autorizado

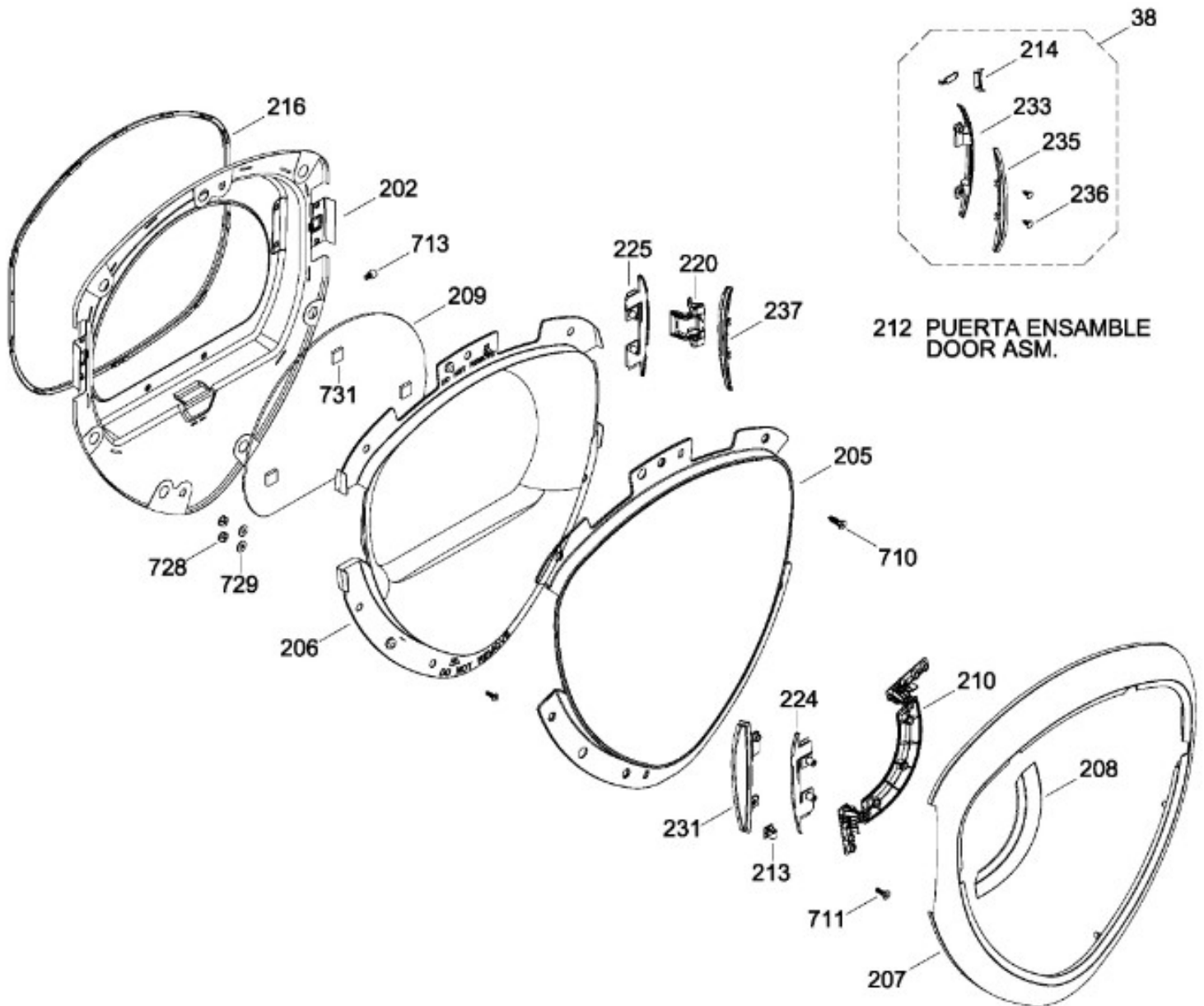
SurteRápido.com

Venta de Refacciones
Electrodomesticas

SECADORA PFDN445GL1MG

DOOR ASSEMBLY

PFDN445GL1MG



Distribuidor Autorizado

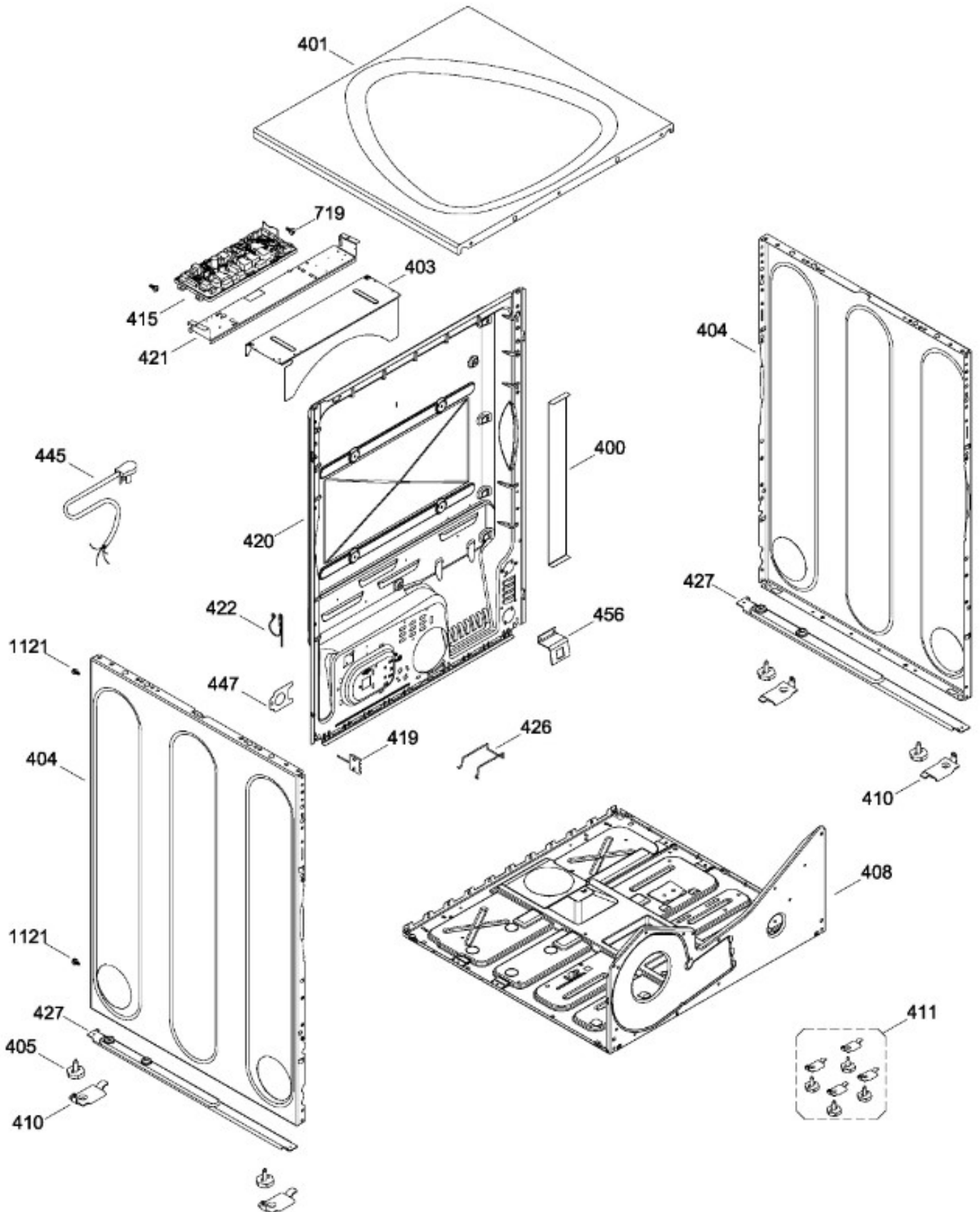
SurteRápido.com

Venta de Refacciones
Electrodomesticas

SECADORA PFDN445GL1MG

GABINETE

PFDN445GL1MG



Distribuidor Autorizado

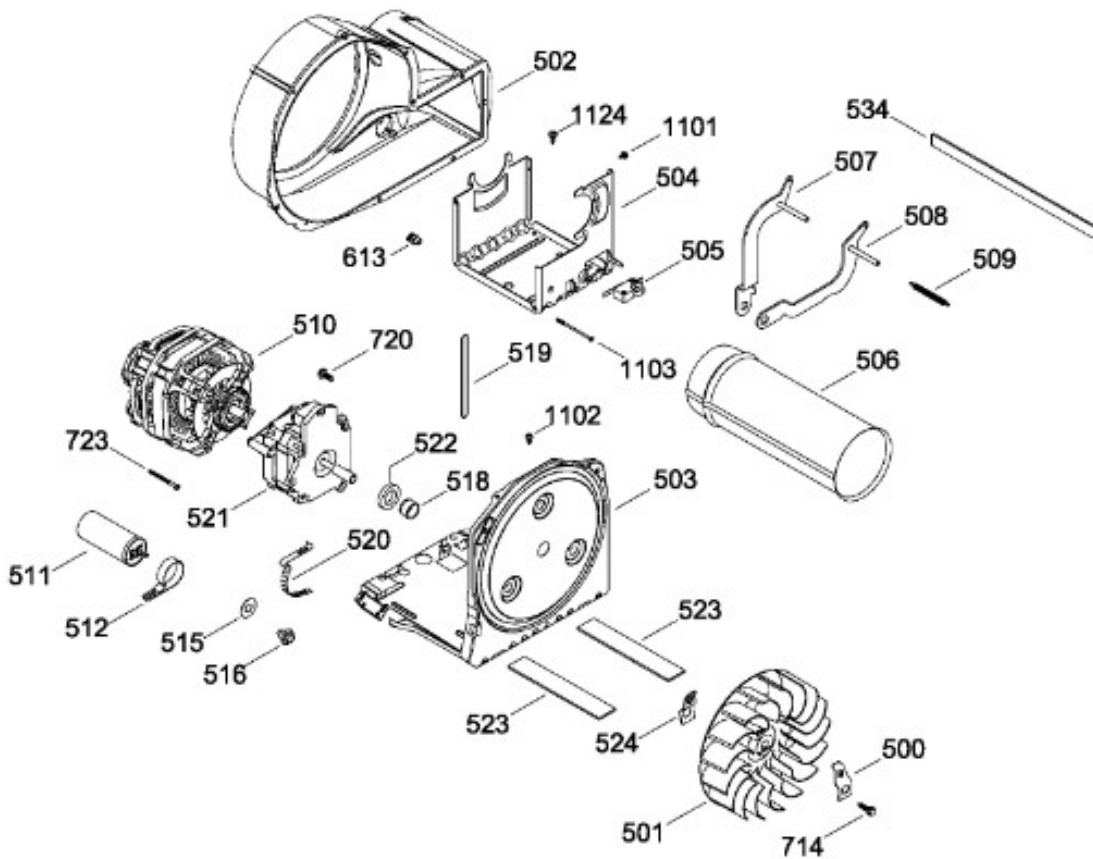
SurteRápido.com

Venta de Refacciones
Electrodomesticas

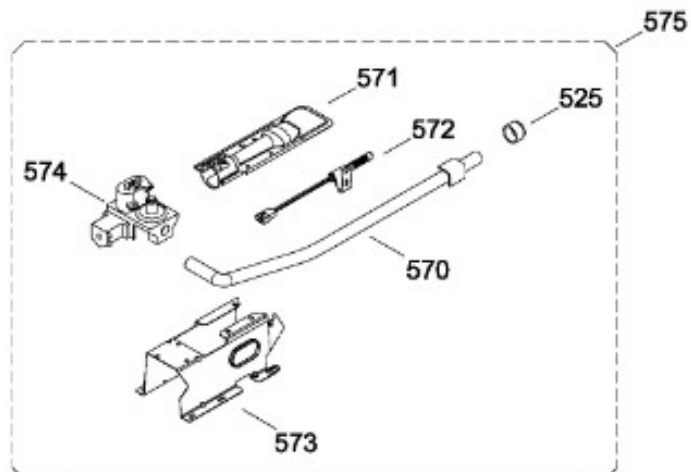
SECADORA PFDN445GL1MG

SISTEMA DE TRANSMISION / BLOWER & DRIVE ASSEMBLY

PFDN445GL1MG



QUEMADOR/BURNER



Distribuidor Autorizado

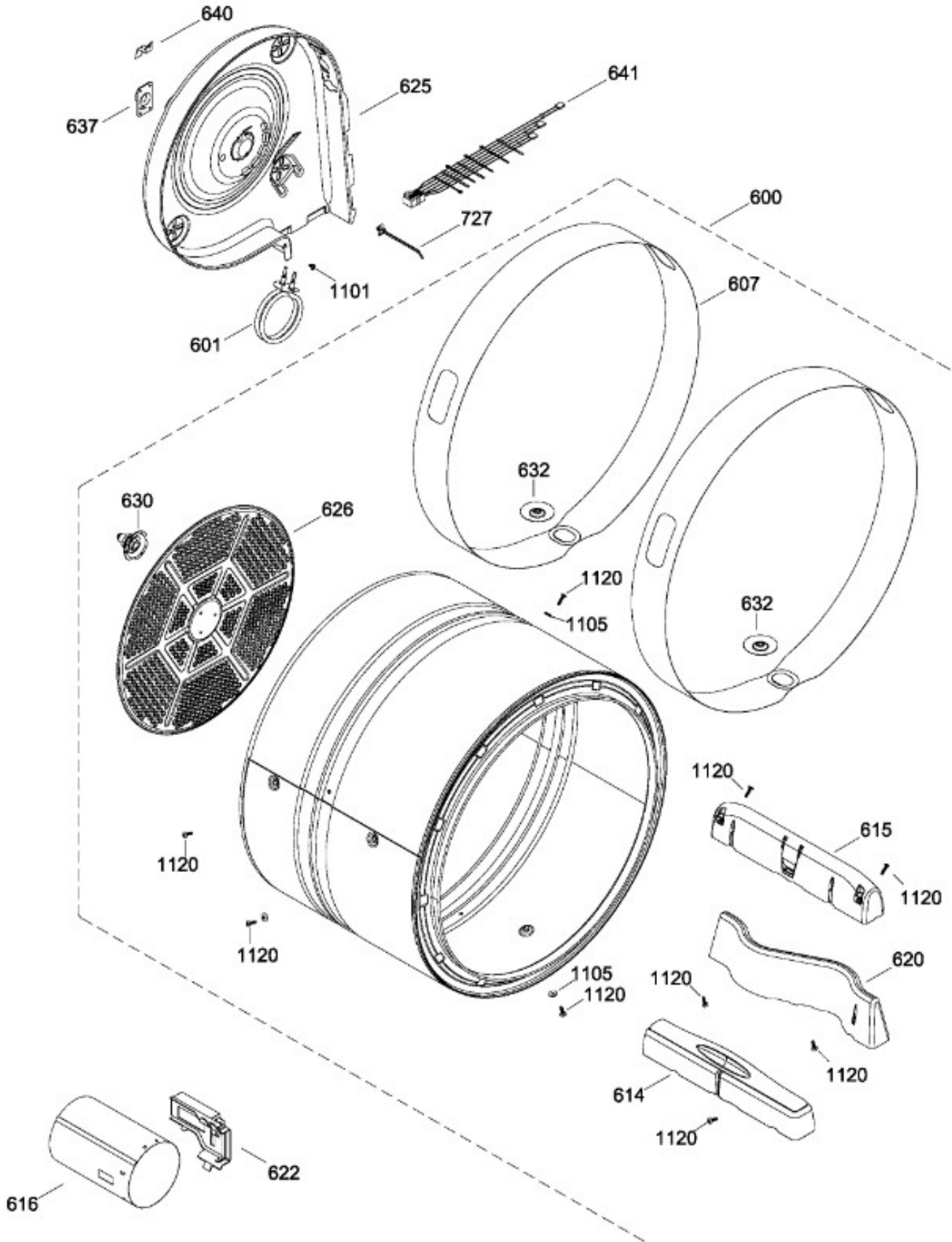
SurteRápido.com

Venta de Refacciones
Electrodomesticas

SECADORA PFDN445GL1MG

TAMBOR

PFDN445GL1MG



Distribuidor Autorizado

SurteRápido.com

Venta de Refacciones
Electrodomesticas

SECADORA PFDN445GL1MG

| Guía | Refacción | Descripción |
|------|--------------|--------------------------------|
| 7 | WW02L00194 | BASE DE PERILLA |
| 12 | WW02A00079 | BADGE GE PROFILE |
| 15 | WW02A00117 | WIRING HARNESS: UI VFD AND |
| 17 | WW02F00120 | COMMUNICATION CABLE (WASHER-DR |
| 29 | 165D1349G001 | ARNES(GAS) |
| 31 | WW03F00288 | TARJETA CHASIS ENS |
| 32 | WW02L00177 | FRONT SHIELD |
| 35 | WW02F00085 | VFD DISPLAY BOARD |
| 38 | WW03A00140 | KIT DE REVERSIBILIDAD |
| 40 | WW03L00267 | PANEL FRONTAL ENS |
| 41 | WW02F00184 | WHEEL FRONT SHIELD |
| 100 | WW03L00185 | FRONT PANEL MAQUILA |
| 101 | WW02L00089 | FILTER + MESH ASSEMBLY |
| 101 | WW03L00186 | FILTER + MESH ASSEMBLY |
| 101 | WW02F00614 | MARCO Y FILTRO ENS |
| 102 | WW02L00025 | INTERRUPTOR PUERTA |
| 103 | WW03L00187 | SELLO FILTRO |
| 104 | WW03F00289 | PLACA AISLANTE |
| 106 | WW02F00179 | TRAP DUCT COVER |
| 106 | WW02F00179 | TRAP DUCT COVER |
| 108 | WW02L00172 | DOOR SWITCH COVER |
| 110 | WW02A00110 | SOPORTE SUPERIOR ENS. |
| 111 | WW02L00091 | TRAP DUCT |
| 112 | WW03L00189 | TAPON APERTURA FRONTAL(ORO) |
| 113 | WW02L00138 | FELPA DUCTO RECOLECTOR |
| 115 | WW03A00015 | COJINETE DESLIZABLE |
| 116 | WW03A00016 | COJINETE DESLIZABLE |
| 116 | WW02A00250 | COJINETE DESLIZABLE |
| 119 | WW02A00084 | CLEANING FELT |
| 120 | WW02A00004 | STRIKE |
| 123 | WW02A00056 | STRIKE PLATE |
| 124 | WW02A00057 | STRIKE PLATE |
| 125 | WW02F00088 | SENSOR ROD |
| 126 | WW02L00041 | SELLO |
| 127 | WW02A00067 | LAMP |

SECADORA PFDN445GL1MG

| Guía | Refacción | Descripción |
|------|------------|--------------------------------|
| 127 | WW03F00458 | LAMP |
| 129 | WW02F00137 | HARNESS TOP BEARING (SOCKET AS |
| 130 | WW02L00042 | SELLO |
| 133 | WW02F00132 | FOAM SPACER- TRAP DUCT COVER |
| 137 | WW03F00393 | DUCTO TRAMPA ENS |
| 140 | WW03F00291 | FELPA DUCTO RECOLECTOR |
| 142 | WW02A00093 | NUT-STRIP DOOR GUIDE |
| 144 | WW02L00167 | DOOR GUIDE |
| 146 | WW02F00135 | HARNESS SENSORS |
| 149 | WW02L00183 | HINGE BASE PART L |
| 151 | WW02L00184 | HINGE BASE PART R |
| 152 | WW03L00190 | SELLO DUCTO TRAMPA |
| 152 | WW03F00354 | SELLO DUCTO TRAMPA |
| 153 | WW03F00292 | AISLANTE BISAGRA |
| 154 | WW03L00191 | AISLANTE COJINETE SUPERIOR |
| 202 | WW03L00192 | CONTRA PUERTA |
| 205 | WW02L00170 | DOOR OUTER WINDOW |
| 206 | WW02L00169 | DOOR MASK |
| 207 | WW03A00142 | ANILLO EXTERIOR |
| 208 | WW03L00193 | JALADERA SUPERIOR |
| 209 | WW02L00168 | DOOR INNER WINDOW |
| 210 | WW03L00194 | JALADERA INFERIOR |
| 212 | WW03L00195 | PUERTA ENS |
| 213 | WW02F00154 | SEGURO PUERTA |
| 214 | WW03L00196 | CUBIERTA JALADERA |
| 216 | WW03L00197 | SELLO PUERTA |
| 220 | WW02L00182 | HINGE ASSEMBLY |
| 224 | WW02L00188 | INNER DOOR CAP LEFT |
| 225 | WW02L00189 | INNER DOOR CAP RIGHT |
| 231 | WW03L00198 | CUBIERTA PUERTA |
| 233 | WW03L00199 | CUBIERTA PUERTA |
| 235 | WW03L00200 | CUBIERTA BISAGRA |
| 236 | WW02A00082 | BEAUTY BOTTON |
| 237 | WW03L00201 | CUBIERTA BISAGRA |
| 400 | WW03L00203 | PLACA AMORTIGUADOR |

Distribuidor Autorizado

SurteRápido.com

Venta de Refacciones
Electrodomesticas

SECADORA PFDN445GL1MG

| Guía | Refacción | Descripción |
|------|--------------|-------------------------------|
| 401 | WW03L00204 | CUBIERTA SUPERIOR |
| 403 | 212D1495P001 | PLACA POSTERIOR |
| 404 | WW03L00206 | LATERAL(ORO) |
| 405 | WW02L00191 | PATTE DE NIVELLEMENT |
| 408 | WW02L00156 | CHASSIS BASE |
| 410 | WW02A00113 | SUPPORT (PATTE DE NIVELLEMENT |
| 411 | WW02F00139 | PATA NIVELADORA ENS |
| 415 | WW02F00169 | TARJETA PRINCIPAL ENS. |
| 419 | WW02F00145 | MOTOR CHANNEL FOAM |
| 420 | WW02L00196 | REAR PANEL |
| 420 | WW02L00196 | REAR PANEL |
| 421 | WW02F00140 | MAIN POWER BOARD SUPPORT |
| 422 | WW02F00022 | CORD SET RETAINER |
| 426 | WW03A00167 | PROTECTOR ESCAPE |
| 427 | WW02F00148 | MOTOR SUPPORT CHANNEL |
| 445 | WW02F00091 | CABLE TOMACORRIENTE |
| 447 | WW01A00458 | TAPA TOMACORRIENTE |
| 456 | WW02A00037 | BRIDE |
| 500 | WW02A00040 | ABRAZADERA VENTILADOR |
| 501 | WW02A00073 | VENTILADOR REDONDO |
| 502 | WW02F00107 | BLOWER HOUSING |
| 503 | WW03L00246 | BASE MOTOR |
| 504 | 212D1456P001 | U-SUPPORT |
| 505 | WW02F00138 | INTERRUPTOR PRESENCIA BANDA |
| 506 | WW02F00129 | EXHAUST DUCT |
| 506 | WW02F00721 | EXHAUST DUCT |
| 507 | WW02A00076 | ARM & PIN LEFT ASSY |
| 508 | WW02A00077 | BRAZO Y PERNO DER ENS |
| 509 | WW02A00112 | SPRING IDLER |
| 510 | WW02F00071 | ENS. MOTOR POLEA |
| 510 | WW03F00445 | ENS. MOTOR POLEA |
| 511 | WW01F00238 | CAPACITOR |
| 511 | WW01F00342 | CAPACITOR |
| 512 | WW02F00116 | CAPACITOR HOLDER |
| 515 | WW02A00094 | NYLON WASHER |

Distribuidor Autorizado

SurteRápido.com

Venta de Refacciones
Electrodomesticas

SECADORA PFDN445GL1MG

| Guía | Refacción | Descripción |
|------|------------|-------------------------------|
| 516 | WW02A00001 | REVERSIBLE IDLER |
| 518 | WW02F00146 | MOTOR RUBBER WASHER (GROMMET) |
| 519 | WW02F00072 | BANDA |
| 519 | WW02F00896 | BANDA |
| 520 | WW02F00031 | CLIP MOTOR |
| 521 | WW02A00053 | BLOWER MOTOR (w/control) |
| 522 | WW02A00068 | BLOWER MOTOR FOAM |
| 523 | WW02A00075 | ABSORBER FOAM |
| 524 | WW02A00041 | ABRAZADERA VENTILADOR |
| 525 | WW02A00003 | TAPA |
| 534 | WW02A00026 | EMPAQUE ESCAPE SOPLADOR |
| 534 | WW02F00785 | EMPAQUE ESCAPE SOPLADOR |
| 570 | WW02A00058 | PIPE & LUG ASM. |
| 570 | WW03F00137 | PIPE & LUG ASM. |
| 571 | WW02A00020 | QUEMADORES |
| 572 | WW02F00002 | ALLUME-GAZ |
| 572 | WW02F00740 | ALLUME-GAZ |
| 572 | WW01F01432 | ENCENDEDOR INCANDESCENTE |
| 573 | WW02F00077 | GAS VALVE BRACKET |
| 573 | WW03A00125 | GAS VALVE BRACKET |
| 574 | WW02F00100 | 2-STAGE GAS VALVE |
| 575 | WW02F00073 | VALVULA DE GAS Y SOPORTE ENS |
| 600 | WW03F00295 | ENS TAMBOR 7.5 ENTERPRISE/S |
| 601 | WW02F00115 | CALROD |
| 607 | WW02L00098 | BANDA TAMBOR |
| 613 | WW01F01118 | POLEA DE TRANSMISION |
| 614 | WW02L00153 | BAFFLE AND SCREEN ASSEMBLY |
| 615 | WW02F00133 | HANG DRY BAFFLE ASSEMBLY |
| 616 | WW03F00296 | TUBO DE COMBUSTION |
| 616 | WW02F00722 | TUBO DE COMBUSTION |
| 620 | WW02F00153 | S-BAFFLE |
| 622 | WW02F00001 | DETECTOR TERMOSTATO |
| 625 | WW02L00014 | DIFUSOR GAS |
| 625 | WW03F00095 | DIFUSOR GAS |
| 626 | WW02F00030 | DIFUSOR |

Distribuidor Autorizado

SurteRápido.com

Venta de Refacciones
Electrodomesticas



SECADORA PFDN445GL1MG

| Guía | Refacción | Descripción |
|------|--------------|-----------------------------|
| 630 | WW02A00019 | SOPORTE Y FLECHA ENSAMBLE |
| 632 | WW02A00072 | RONDANDA BANDA |
| 637 | WW02A00005 | RETENEDOR RODAMIENTO |
| 640 | WW02F00026 | GROUND STRAP ASM. |
| 640 | WW01A00443 | GROUND STRAP ASM. |
| 640 | WW02F00833 | GROUND STRAP ASSEMBLY |
| 641 | 234D1024G002 | ARNES DERECHO |
| 700 | WW02A00102 | SCREW CHASSIS TO FRONT HSG. |
| 701 | WW02A00087 | ENCLOSED SCREW GROMMET |
| 703 | WW02A00105 | SCREW WHEEL MOUNTING |
| 704 | WW03A00144 | TORNILLO # 10(GOLD) |
| 707 | WW02A00097 | SCREW |
| 708 | WW02A00098 | SCREW |
| 708 | WW01A00539 | SCREW |
| 710 | WW02A00100 | SCREW #8 FOR DOOR HINGE CAP |
| 711 | WW02A00101 | TORNILLO |
| 713 | WW02A00074 | 3/16 HEX FEMAL SCREW |
| 714 | WW02A00071 | TORNILLO |
| 719 | WW02A00106 | SCREWS |
| 719 | WW02A00229 | SCREWS |
| 720 | WW02A00096 | SCREW |
| 723 | WW03A00145 | TORNILLO HI/LO 8-18 |
| 727 | WW02A00061 | TIE WRAP ARNESS |
| 727 | WW02F00402 | TIE WRAP ARNESS |
| 728 | WW02A00114 | TUERCAS |
| 729 | WW03A00146 | ARANDELAS |
| 731 | WW03A00147 | CALZA |
| 1101 | WW02A00030 | TORNILLO |
| 1101 | WW02A00211 | TORNILLO |
| 1102 | WW02A00029 | TORNILLO |
| 1102 | WW02A00211 | TORNILLO |
| 1103 | WW02A00032 | TORNILLO |
| 1105 | WW02A00002 | ARANDELA |
| 1106 | WW02A00027 | SCREW |
| 1120 | WW02A00031 | TORNILLO |
| 1121 | WW01A00001 | TORNILLO |
| 1124 | WW02A00070 | TORNILLO |