



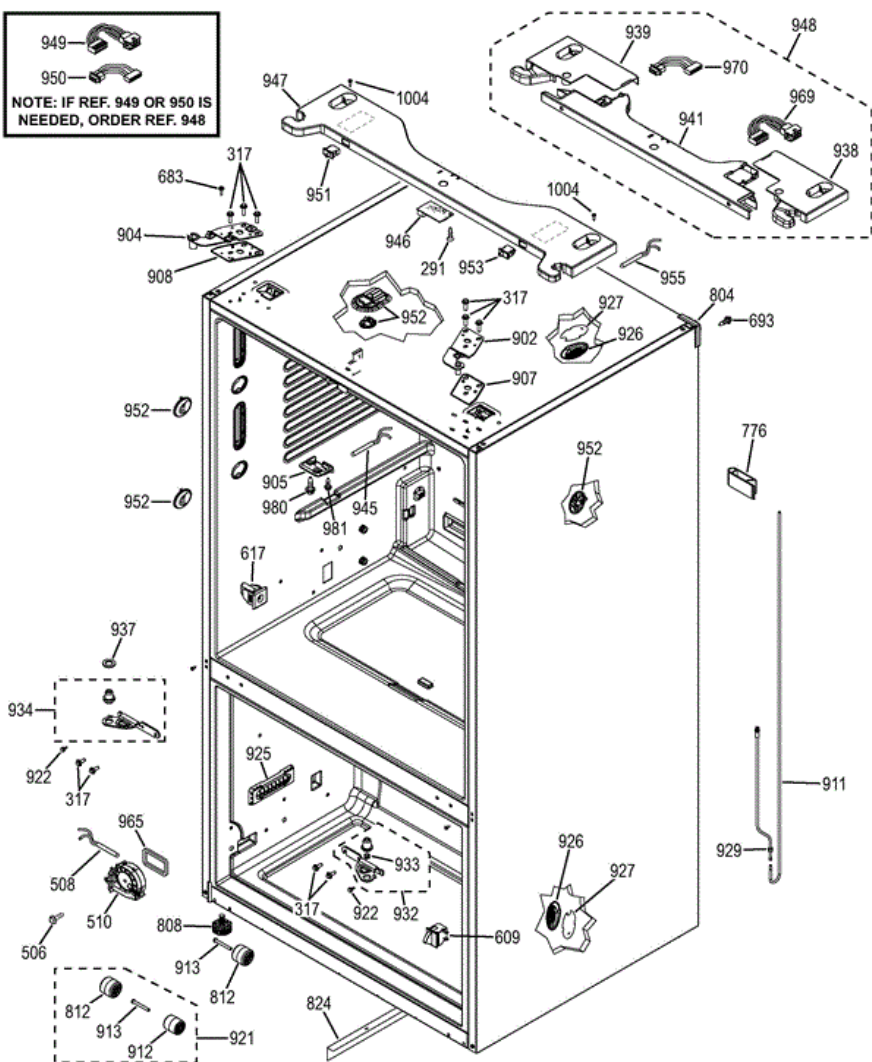
Distribuidor Autorizado

SurteRápido.com

Venta de Refacciones
Electrodomesticas

PFE29PSDASS CASE

949—
950—
**NOTE: IF REF. 949 OR 950 IS
NEEDED, ORDER REF. 948**





PFE29PSDASS CASE

291	WR01X10649	SCR 8-10 PL PNP 1/2 S
317	WR01X11049	SCR 1/4-20 HXW 7/8 S
506	WD02X10067	SCR 8-16 HXW 1/2 SS
508	WR55X11151	SENSOR TEMPERATURE
510	WR60X10342	FAN MOTOR IM ASM /SENSOR
609	WR23X10143	SWITCHLIGHT
617	WR02X8349	GROMMET SCR CLOSED
683	WR01X10602	SCR 8-32 AB IHWS 3/8 S
693	WR01X10593	SCR 8-18 AB IHXW 3/4 S
776	WR02X10522	CLAMP TUBE
804	WR02X13614	CAP CASE CORNER
808	WR01X11046	SCREW LEVELING ASM
812	WR02X13693	WHEEL OVERMOLD ASM REAR
824	WR17X13096	BAFFLE AIR HIGHSIDE
902	WR13X10974	HINGE TOP PIN ASM RH
904	WR13X10975	HINGE TOP PIN ASM LH
905	WR02X13716	STRIKER TOP MULLION
907	WR02X13640	PAD TOP HINGE RH
907	WR02X13717	PAD TOP HINGE ASM RH
908	WR02X13641	PAD TOP HINGE LH
908	WR02X13718	PAD TOP HINGE ASM LH
911	WR02X13673	TUBING PEX 55.3"
912	WR02X13685	WHEEL
913	WR01X11008	AXLE WHEEL
921	WR49X10268	FRONT/REAR WHEEL & AXLE
922	WR01X11037	SCR8-32 TT PNT 5/8S
925	WR02X13623	LOUVER DUCT IM RETURN FZ
926	WR02X13729	GRILLE THERMISTOR
927	WR01X11066	SHUNT SENSOR
929	WR02X13774	TUBE LEAD
932	WR13X10976	HINGE CENTER ASM RH
933	WR01X11016	SCREW HINGE CTR ADJ
934	WR13X10982	HINGE CENTER ASM LH

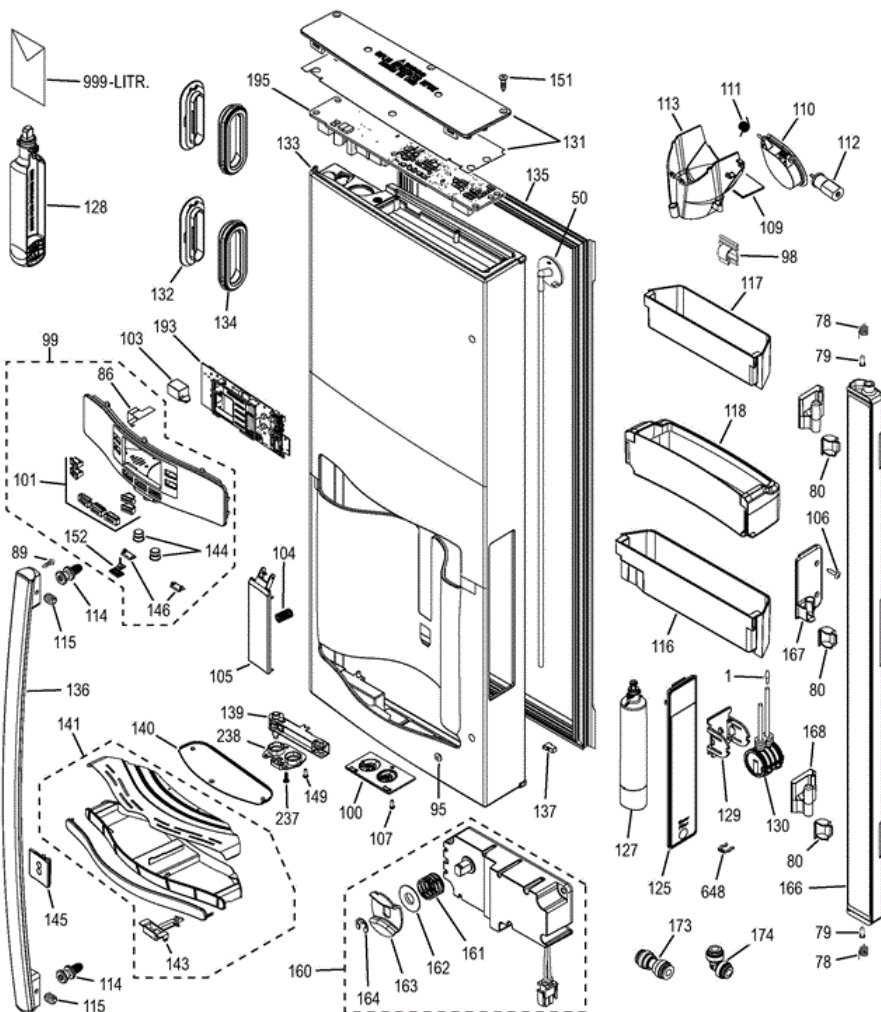
937	WR01X11047	WASHER HINGE CENTER LH
938	WR17X13213	COVER HINGE RH ASM GY
939	WR17X13214	COVER HINGE LH ASM GY
941	WR17X13225	CVR HINGE MIDDLE ASM GRA
945	WR55X11150	SENSOR TEMPERATURE
946	WR55X11180	PCB ASM RADIO SENSOR
947	WR17X13075	HINGE TOP COVER W/SHIELD
948	WR49X10287	3 PC HINGE COVER ASM DY
951	WR23X10751	SWITCH LIGHT FF
952	WR55X11132	COVER LED ASM, FF
953	WR23X10752	SWITCH LIGHT FF
955	WR55X11153	SENSOR TEMPERATURE
965	WR14X10379	GASKET DUCT FAN IM
969	WR23X10776	HARNESS DOOR SWITCH AC
970	WR23X10777	HARNESS DOOR CASE
980	WR01X11060	SCR 8-18 AB HXWP 9/16S
981	WR01X11065	SCR 8-18 AB FLP 3/4 S ZN
1004	WH02X0941	SCR 8-15 A HXW 7/8 S

Distribuidor Autorizado

SurteRápido.com

Venta de Refacciones
Electrodomesticas

PFE29PSDASS DISPENSER DOOR



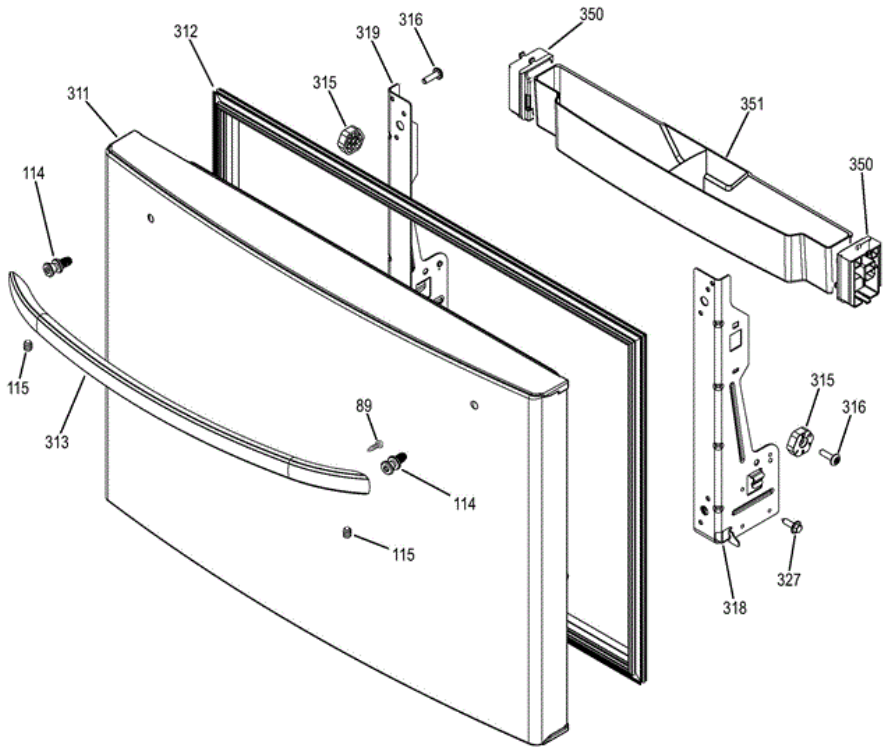


PFE29PSDASS DISPENSER DOOR

1	WR01X11068	TUBE PLUG
50	WR02X13769	HARNESS & FILL TUBE ASM
78	WR01X11052	SPRING HINGE MULLION
79	WR01X11053	SLEEVE SPRING MULLION
80	WR02X13739	HINGE CAP
86	WR24X10293	SHIELD AUTOFILL ASM
89	WR01X11044	SCR 10-32 B RNS .353 S
95	WR01X11051	WASHER
98	WR01X11064	CLIP PHGL
99	WR17X13206	DISPLAY ASM
100	WR55X11122	COVER LED ASM LH DOOR
101	WR02X13656	BUTTONS DISPENSE DISPLAY
103	WR55X11139	SPEAKER
104	WR01X11027	SPRING
105	WR17X13060	COVER PADDLE ASM SS
106	WR01X11054	SCR 8-18 FLP 1/2 S
107	WR01X11029	SCR 8-18 FLP 1/2 S
109	WR17X13059	COVER FUNNEL
110	WR17X13057	DUCT DOOR ASM
111	WR01X11017	SPRING DUCT DOOR
112	WR60X10344	MOTOR DUCT DOOR
113	WR17X13058	FUNNEL CLEAR
114	WR01X11007	FASTENER DOOR HANDLE
115	WR01X11014	SET SCREW
116	WR71X11041	BIN DOOR ICE BTM ASM
117	WR71X11045	BIN ICE DOOR TOP LH
118	WR71X11046	BIN ICE DOOR MID LH
125	WR02X13639	FILTER DOOR ASM GY
127	RPWF	FILTER WATER
128	WR17X13068	PLUG BYPASS ASM
129	WR17X13069	BRKT FILTER MANIFOLD
130	WR02X13675	MANIFOLD & PLUG ASM
131	WR17X13204	PCB COVER ASM BK

132	WR14X10367	COLLAR GASKET
133	WR78X12857	DOOR DISP ASM FF LH SS
134	WR14X10364	PORT GASKET
135	WR14X10366	GASKET FF
136	WR12X11016	ARC HANDLE ASM FF
137	WR11X10032	LATCH FILTER DOOR
139	WR11X10034	CLOSURE DOOR ASM LH
140	WR17X13093	TRAY GUARD ASM
141	WR17X13110	TRAY RECESS ASM GY
143	WR02X13638	LEVER TRAY LOCK
144	WR55X11133	TRANSDUCER UPPER ASM
145	WR55X11134	TRANSDUCER LOWER ASM
146	WR02X13655	SHIELD LED LIGHT
149	WR01X10196	SCR 8-18 HI/LO 5/8
151	WR01X11028	SCR 8-18 FLP 1/2 S
152	WR13X10980	COVER USB
160	WR60X10345	AUGER MOTOR ASM
161	WR02X13645	SPRING CLUTCH AM
162	WR02X13646	GUARD SPRING AM
163	WR02X13647	CLUTCH COUPLING AM
164	WR02X13648	E CLIP
166	WR17X13136	MULLION ARTICULA. ASM WH
167	WR13X10984	HINGE CENTER MULLION
168	WR13X10985	HINGE MULLION
173	WR02X13671	COUPLER STRAIGHT 1/4
173	WR02X13738	COUPLER STRAIGHT 1/4
174	WR02X13737	CONNECTOR 90 DEG 5/16
193	WR55X11200	BOARD ASM GRAPHIC LCD
195	WR55X11186	PCB ASM DOOR CONTROL
237	WR01X11032	SCR 10-24 AB RNT 20 5/8
648	WR01X11040	QUICK CLIP CONN 5/16
999	31-45462-1	PM QUICK INSTALL GUIDE
999	31-45495	PM QUICK INSTALL EN
999	31-51835	PM MINI WIRING MANUAL
999	49-60669	PM GUIDE OWNERS
999	49-60670	PM GUIDE OWNERS WEB ONLY
999	49-60683	PM GUIDE OWNERS WEB EN

PFE29PSDASS FREEZER DOOR

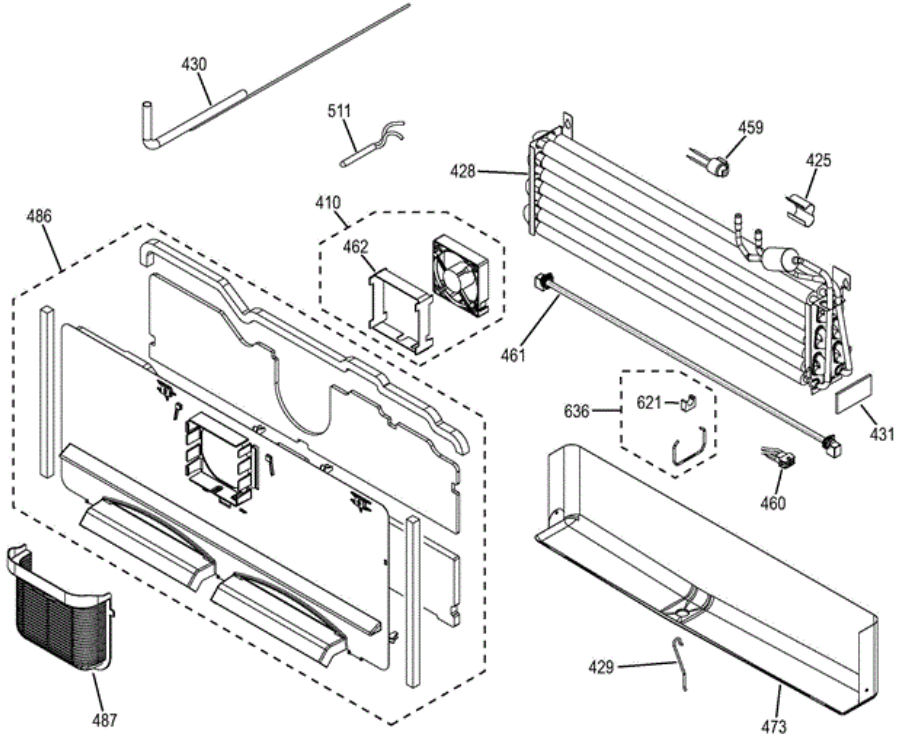




PFE29PSDASS FREEZER DOOR

89	WR01X11044	SCR 10-32 B RNS .353 S
114	WR01X11007	FASTENER DOOR HANDLE
115	WR01X11014	SET SCREW
311	WR78X12855	DOOR FOAM ASM FZ
312	WR14X10365	GASKET FZ DOOR
313	WR12X11015	HANDLE FZ ASM
315	WR02X13627	CAM VERT ADJUSTMENT
316	WR01X11010	SCR 1/4-20 GX TRT 7/8 S
318	WR02X13625	BRACKET DOOR FZ RH
319	WR02X13626	BRACKET DOOR FZ LH
327	WR01X11011	SCR1/4-20 HXW 3/4S
350	WR02X13628	SUPPORT BIN FZ
351	WR71X11038	BIN FREEZER

PFE29PSDASS FREEZER SECTION

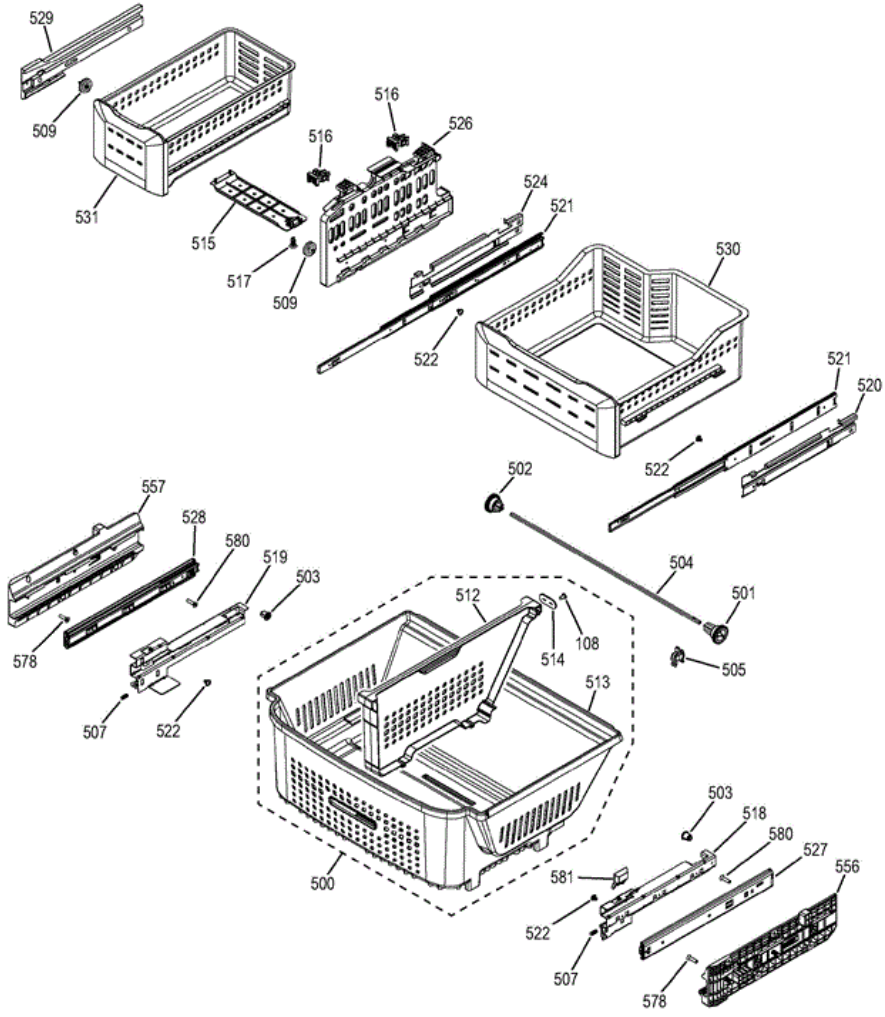




PFE29PSDASS FREEZER SECTION

410	WR60X10352	FZ FAN AND FELT ASM
425	WR02X10879	CLIP EVAP THERMISTOR
428	WR85X10158	EVAP AND TUBE ASM FZ
429	WR51X10134	HEATER CONDUCTION FZ
430	WR84X10113	TUBE FZ REPAIR ASM
431	WR02X13725	BLOCK EVAP SEAL
459	WR50X10108	THERMOSTAT DEFROST FZ
460	WR23X10745	HEATER HARNESS FZ W/TCO
461	WR51X10131	HEATER DEF ASM FZ
462	WR02X13734	TAPE FELT
473	WR17X13080	TROUGH DRAIN FZ
486	WR17X13047	COVER EVAP FZ
486	WR17X13094	FZ COVER EVAP ASM
487	WR17X13090	COVER FAN FZ
511	WR55X11121	SENSOR TEMPERATURE
621	WR02X10518	HOLDER ELEMENT
636	WR02X13678	HOLDER ELEMENT ASM

PFE29PSDASS FREEZER SHELVES

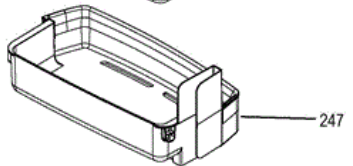
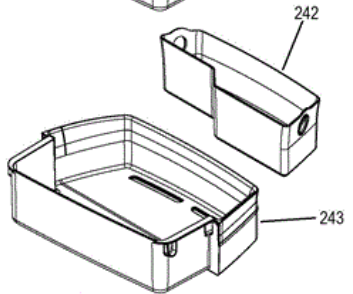
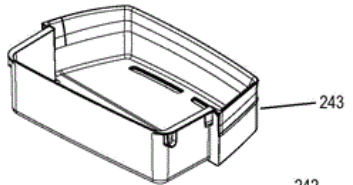
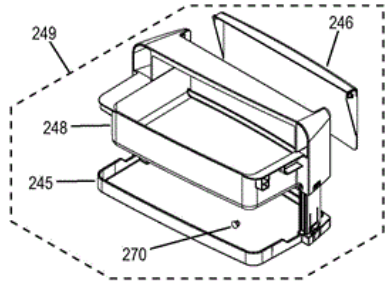
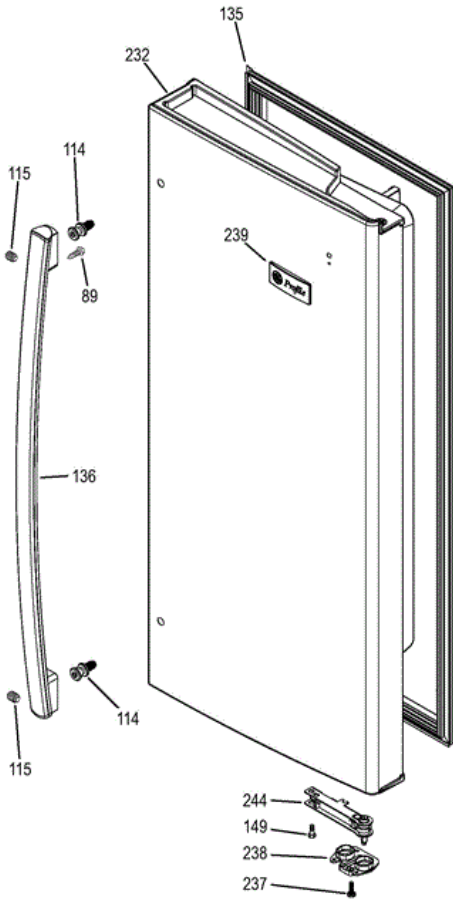




PFE29PSDASS FREEZER SHELVES

108	WB01X5364	SCREW (CR)
500	WR21X10249	BASKET BOTTOM ASM
501	WR02X13629	GEAR LWR DRW RH
502	WR02X13630	GEAR LWR DRW LH
503	WR02X13631	CONNNECTOR GEAR PINION
504	WR02X13670	CROSSBAR PINION
505	WR01X11023	PIN CROSS BAR
509	WR02X13686	WHEEL SLIDE ASM
512	WR02X13661	DIVIDER BOTTOM BASKET FZ
513	WR21X10248	BASKET BOTTOM FZ
514	WR02X13674	STOPPER DIVIDER
515	WR17X13085	SUPPORT BTM FZ DIVIDER
516	WR02X13667	STOPPER FZ DIVIDER
517	WR01X11050	FASTENER PUSH
518	WR17X13144	SLIDE BRACKET ASM RH
518	WR17X13238	BRACKET SLIDE FZ RH
519	WR17X13145	SLIDE BRACKET ASM LH
519	WR17X13239	BRACKET SLIDE FZ LH
520	WR17X13077	BRACKET SLIDE RH
521	WR17X13170	SLIDE UPPER BASKET
522	WR01X11022	SCR 8-18 B RNT20 1/4 S
524	WR17X13079	BRACKET SLIDE LH
526	WR17X13084	SUPPORT FZ DIVIDER
527	WR72X10436	SLIDE FZ LOWER RH
528	WR72X10437	SLIDE FZ LOWER LH
529	WR17X13083	GLIDE SUPPORT LH
530	WR32X10871	BASKET UPPER ASM RH
531	WR32X10872	BASKET UPPER ASM LH
556	WR72X10425	SLIDE HOLDER FZ RH
557	WR72X10426	SLIDE HOLDER FZ LH
578	WR01X11012	SCR 8-18 AB HXW 9/16 S
580	WR01X11013	SCR 10-18 FLT20 3/4 S
581	WR02X13632	STRIKER LIGHT SWITCH

PFE29PSDASS FRESH FOOD DOOR

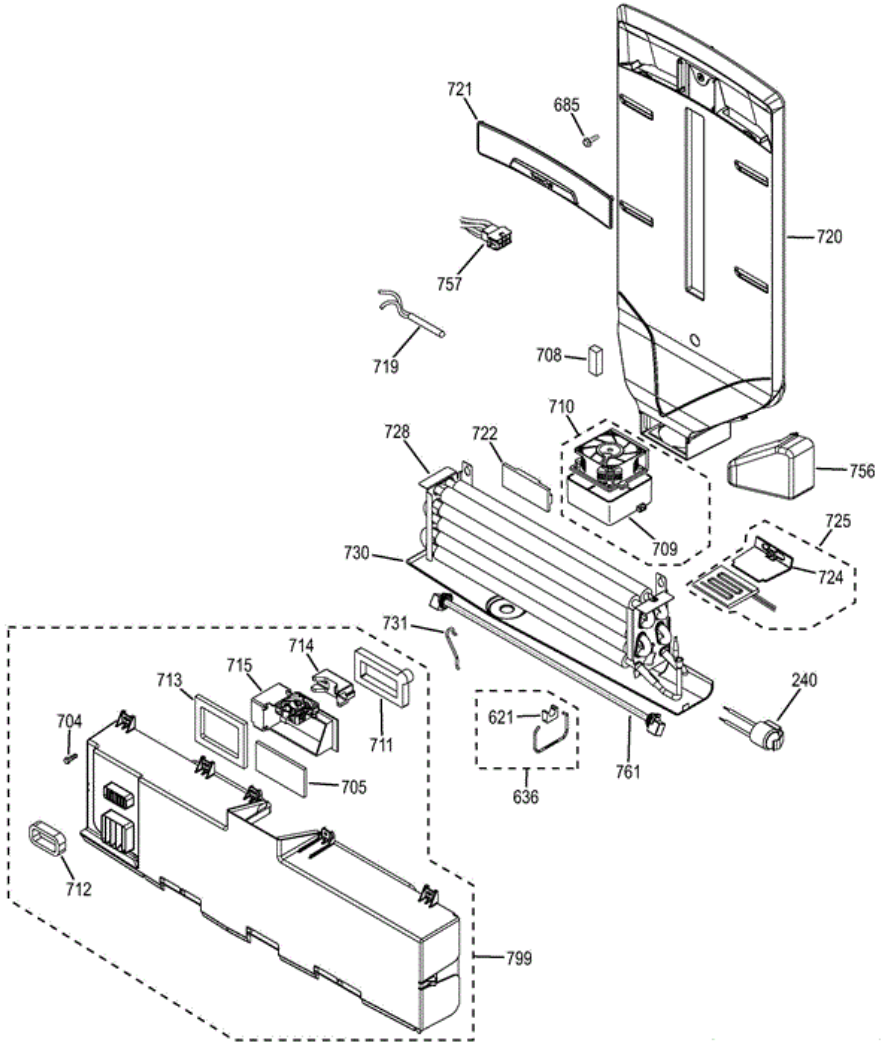




PFE29PSDASS FRESH FOOD DOOR

89	WR01X11044	SCR 10-32 B RNS .353 S
114	WR01X11007	FASTENER DOOR HANDLE
115	WR01X11014	SET SCREW
135	WR14X10366	GASKET FF
136	WR12X11016	ARC HANDLE ASM FF
149	WR01X10196	SCR 8-18 HI/LO 5/8
232	WR78X12856	DOOR FOAM ASM FF RH
237	WR01X11032	SCR 10-24 AB RNT 20 5/8
238	WR02X13634	STOP DOOR ASM
239	WR04X10179	BADGE PROFILE ASM
242	WR17X13086	DIVIDER GALLON BIN
243	WR71X11044	BIN GAL RH FF ASM
244	WR11X10033	CLOSURE DOOR ASM RH
245	WR71X11043	BIN DAIRY RH FF SHLF ASM
246	WR32X10869	BIN DAIRY RH FF DOOR
247	WR71X11040	BIN COND RH FF ASM
248	WR71X11042	BIN DAIRY RH FF BASE
249	WR71X11063	BIN DAIRY RH FF ASM
270	WR02X8247	PLUG BUTTON WATER FILL

PFE29PSDASS FRESH FOOD SECTION





PFE29PSDASS FRESH FOOD SECTION

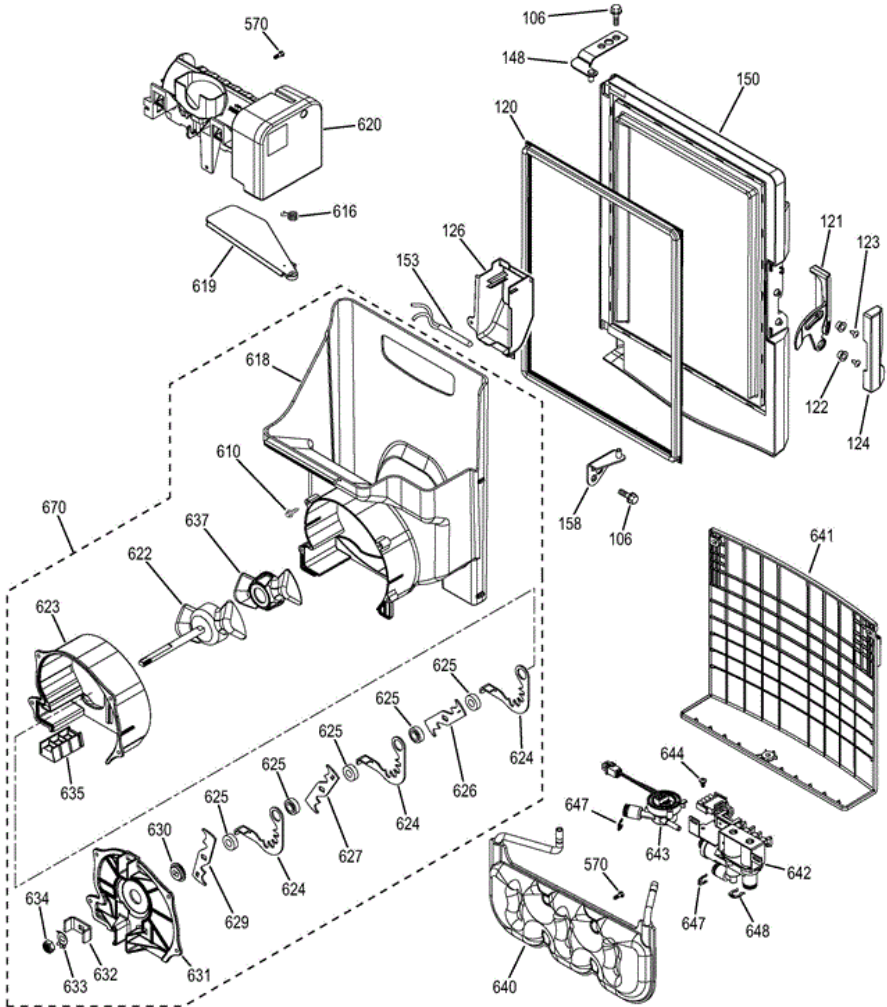
240	WR50X10109	THERMOSTAT DEFROST FF
621	WR02X10518	HOLDER ELEMENT
636	WR02X13678	HOLDER ELEMENT ASM
685	WR01X1804	SCR 8-18 AB HWX 3/4 WH
704	WR01X11061	SCR 8-18 HI/LO HWX 3/4
705	WR02X13731	GASKET FF FAN FRONT
708	WR02X13733	GASKET FAN BACK
709	WR24X10292	BOOT FAN FF
710	WR60X10357	FAN ASM FF
711	WR24X10289	GASKET DAMPER MP
712	WR02X13665	GASKET MEAT PAN RETURN
713	WR02X13664	GASKET MEAT PAN RETURN
714	WR02X13663	SUPPORT INSUL MP FAN
715	WR60X10343	DAMPER FAN ASM
719	WR55X11152	SENSOR TEMPERATURE
720	WR17X13081	FF AIR DUCT ASM
720	WR17X13234	DUCT TOWER ASM FF
721	WR17X13049	DIVERTER & BADGE ASM
722	WR02X13776	GASKET FAN FF BACK
724	WR02X13669	BRACKET HEATER
725	WR51X10136	HEATER & BRACKET ASM DEL
728	WR85X10154	EVAP & TUBE ASM FF
730	WR17X13091	TROUGH DRAIN FF
731	WR51X10133	HEATER CONDUCTION FF
756	WR17X13048	COVER CONNECTOR FF FAN
757	WR23X10743	HARNESS DEFROST FF
761	WR51X10132	HEATER DEF ASM FF
799	WR17X13177	COVER EVAP FF ASM



PFE29PSDASS FRESH FOOD SHELVES

291	WR01X10649	SCR 8-10 PL PNP 1/2 S
570	WR01X1757	SCR 8-18 HXW 1 1/4S
578	WR01X11012	SCR 8-18 AB HXW 9/16 S
692	WZ04X0416	SCR 8-18 AB HXW 3/4
800	WR55X11123	PCB BOARD DELI PAN
801	WD02X10129	SCR 8-18 AB HW 1/2 S
802	WR04X10180	OVERLAY MEAT PAN ASM
803	WR32X10867	PAN VEG LH ASM W/ROLLERS
806	WR49X10269	PCB BOARD DELI W/OVERLAY
809	WR32X10866	PAN VEG RH ASM W/ROLLERS
810	WR72X10433	SLIDE ASM MEAT PAN
811	WR72X10432	SUPPORT SIDE RH
813	WR72X10434	SUPPORT SIDE LH
814	WR32X10877	COVER BOTTOM TOP FRAME
815	WR32X10868	PAN MEAT ASM
817	WR02X13680	ROLLER SUMP ASM
818	WR17X13074	DIVIDER MEAT PAN
819	WR72X10435	COVER MP BACK ASM
820	WR14X10368	GASKET MEAT PAN
821	WR23X10742	HARNESS MEAT PAN &SENSOR
823	WR32X10874	COVER FRONT MP ASM
831	WR72X10430	TRACK SIDE FF
832	WR72X10429	TRACK CENTER FF
833	WR32X10878	SHELF ASM
834	WR32X10881	SHELF ASM TUCKAWAY
835	WR02X13679	SPACER TRACK
841	WR55X11141	SENSOR TEMPERATURE
885	WR17X13073	DAMPER SLIDE VEG PAN
886	WR02X13658	ROLLER ASM
887	WR72X10431	GUIDE ROLLER VEG PAN
888	WR02X13677	KNOB VEG PAN
890	WR32X10864	FRAME & ART ASM VP
897	WR32X10865	GLASS VEG PAN

**PFE29PSDASS ICE MAKER &
 DISPENSER**





PFE29PSDASS ICE MAKER & DISPENSER

106	WR01X11054	SCR 8-18 FLP 1/2 S
120	WR24X10288	GASKET ICEBOX DOOR
121	WR11X10031	LATCH ICEBOX DOOR
122	WR01X11015	LATCH BUSHING
123	WD02X10166	SCR 8-18 AB HW 1/2 SS
124	WR02X13636	COVER LATCH
126	WR17X13067	COVER AM IM HARNESS
148	WR13X10972	HINGE TOP DOOR ICEBOX
150	WR78X12862	ICE BOX DOOR ASM
153	WR55X11142	SENSOR TEMPERATURE
158	WR13X10973	HINGE BOTTOM DOOR ICEBOX
570	WR01X1757	SCR 8-18 HXW 1 1/4S
610	WR01X11043	SCR 10-14.5 T25 1/2 SS
616	WR01X11033	SPRING FEELER ARM
618	WR30X10161	BUCKET ICE
619	WR29X10110	ARM FEELER IM
620	WR30X10160	ICE MAKER ASM
622	WR02X13642	AGITATOR ASM
623	WR17X13066	HOUSING ICE CRUSHER
624	WR02X13644	BLADE STATIONARY
625	WR02X13654	SPACER CRUSHER
626	WR02X13650	MOVING BLADE CRUSHER
627	WR02X13651	MOVING BLADE CRUSHER
629	WR02X13652	MOVING BLADE CRUSHER
630	WR02X13653	SPACER CRUSHER END
631	WR17X13065	COVER CRUSHER
632	WR02X13643	COUPLING BUCKET
633	WR01X11018	WASHER LOCK
634	WR01X11025	NYLON INS LOCKNUT 3/8-24
635	WR02X13649	HOLDER STATIONARY BLADE
637	WR02X13681	INSERT AUGER AGITATOR
640	WR17X13092	TANK COLD WATER ASM
641	WR13X10978	COVER VALVE & TANK

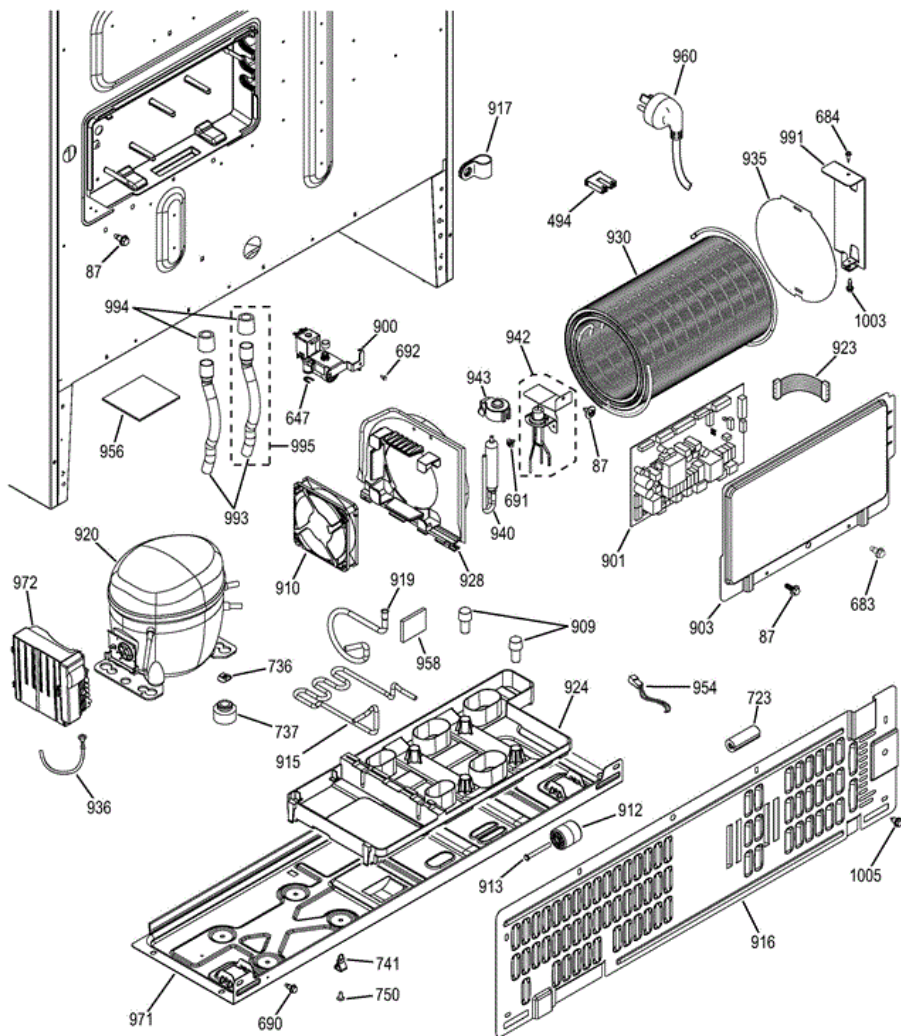
642	WR57X10098	VALVE DUAL WATER
643	WR57X10099	FLOW METER
644	WR01X11019	SCR M4X1.59 MCH P 10MM S
647	WR01X11041	QUICK CLIP CONNECTOR 1/4
648	WR01X11040	QUICK CLIP CONN 5/16
670	WR30X10162	BUCKET & CRUSHER ASM

Distribuidor Autorizado

SurteRápido.com

Venta de Refacciones
Electrodomesticas

PFE29PSDASS MACHINE COMPARTMET





PFE29PSDASS MACHINE COMPARTMET

87	WR01X10588	SCR 8-18 AB IHXW 9/16 S
494	WD01X1459	INSULATOR HSNQ TERM
647	WR01X11041	QUICK CLIP CONNECTOR 1/4
683	WR01X10602	SCR 8-32 AB IHWS 3/8 S
684	WR01X10635	SCR 8-32 CA IHXW .625 S
690	WZ05X0158	SCREW 8-32X3/8 GRD SCR
691	WR01X10897	SCR 12-24TT BHT20 .700 S
692	WZ04X0416	SCR 8-18 AB HXW 3/4
723	WR14X10055	GROMMET TUBING SLIT
736	WR02X8583	CLIP COMP MTNG
737	WR02X13719	GROMMET COMPRESSOR
741	WR01X1779	STUD MTG COMPR
750	WR01X1786	SCR 10-32 TR 1/2
900	WR55X11128	VALVE WATER ISOLATION
901	WR55X11176	BOARD ASM MAIN CONTROL
903	WR02X13714	COVER MAINBOARD
909	WR02X13668	SUPPORT CONDENSER
910	WR60X10339	FAN MOTOR CONDENSER DC
912	WR02X13685	WHEEL
913	WR01X11008	AXLE WHEEL
915	WR84X10110	JUMPER COMP DISCHARGE
916	WR82X10127	COVER ACCESS
917	WR01X11026	CLAMP TUBE
919	WR84X10111	TUBE SUCTION JUMPER
920	WR87X10199	COMPRESSOR KIT INVERTER
923	WR23X10757	HARNESS PERSONALITY
924	WR32X10862	PAN DRAIN
928	WR17X13233	PLENUM CONDENSER FAN ASM
930	WR84X10115	CONDENSER ASM FORMED
935	WR17X13045	BAFFLE COND AIR
936	WR23X10748	HARNESS GROUND
940	WR86X10089	DRYER FILTER
942	WR86X10094	VALVE BODY ASM

943	WR86X10091	COIL 3 WAY VALVE
954	WR23X10768	HARNESS DOGHOUSE
956	WR02X13713	PAD MASTIC
958	WR02X13724	MASTIC SOUND DEADENING
960	WR23X10744	POWER CORD
971	WR17X13128	BASE COMPRESSOR
972	WR55X11138	INVERTER ASM COMP MOUNT
991	WR02X13622	BRACKET CONDENSER
993	WR02X13710	TUBE TRAP DRAIN
994	WR01X11006	CHECK VALVE
995	WR02X13772	TRAP AND VALVE ASM
1003	WR01X10618	SCR 8-18 TPT 1/4
1005	WR01X11072	SCR 1/4-20 HXW 7/8 S