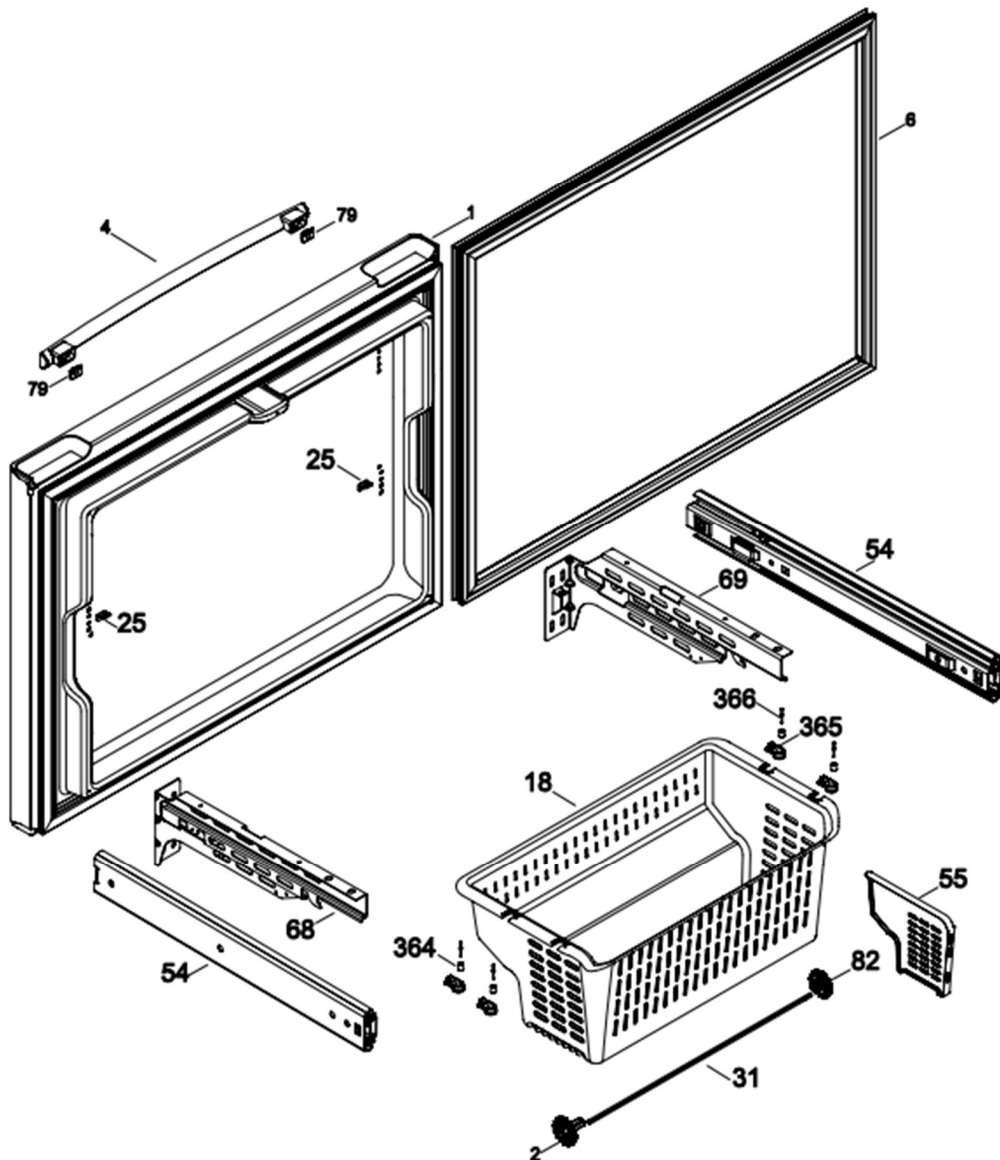


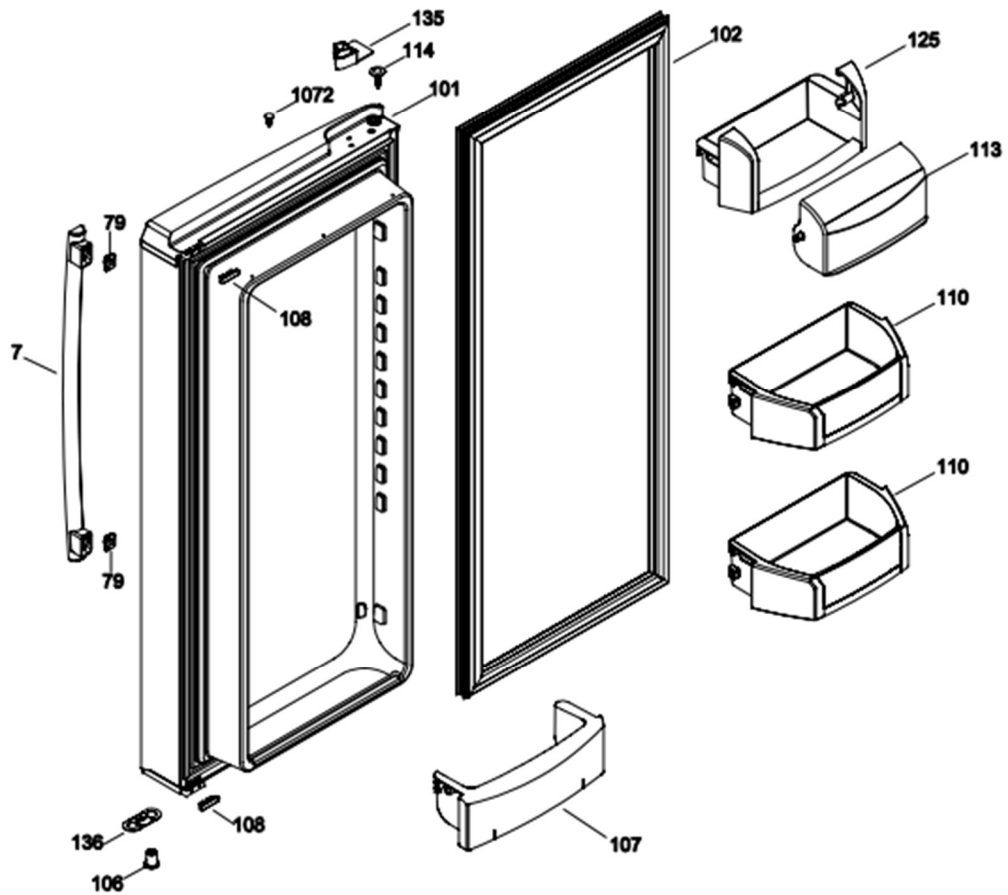
PUERTA CONGELADOR
FREEZER DOOR

PFMS1FFBAFSF



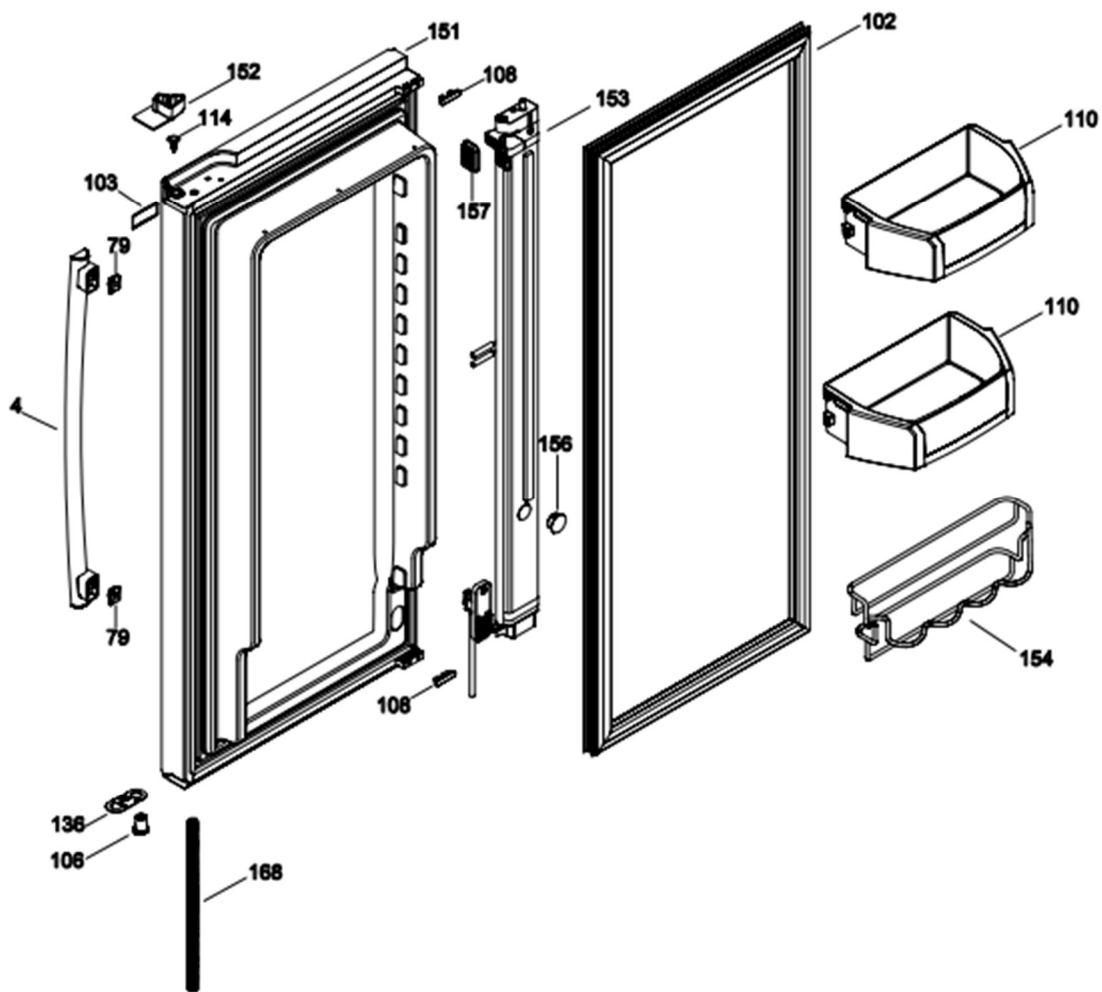
PUERTA ENFRIADOR IZQUIERDA
FRESH FOOD DOOR LEFT

PFMS1FFBAFSF



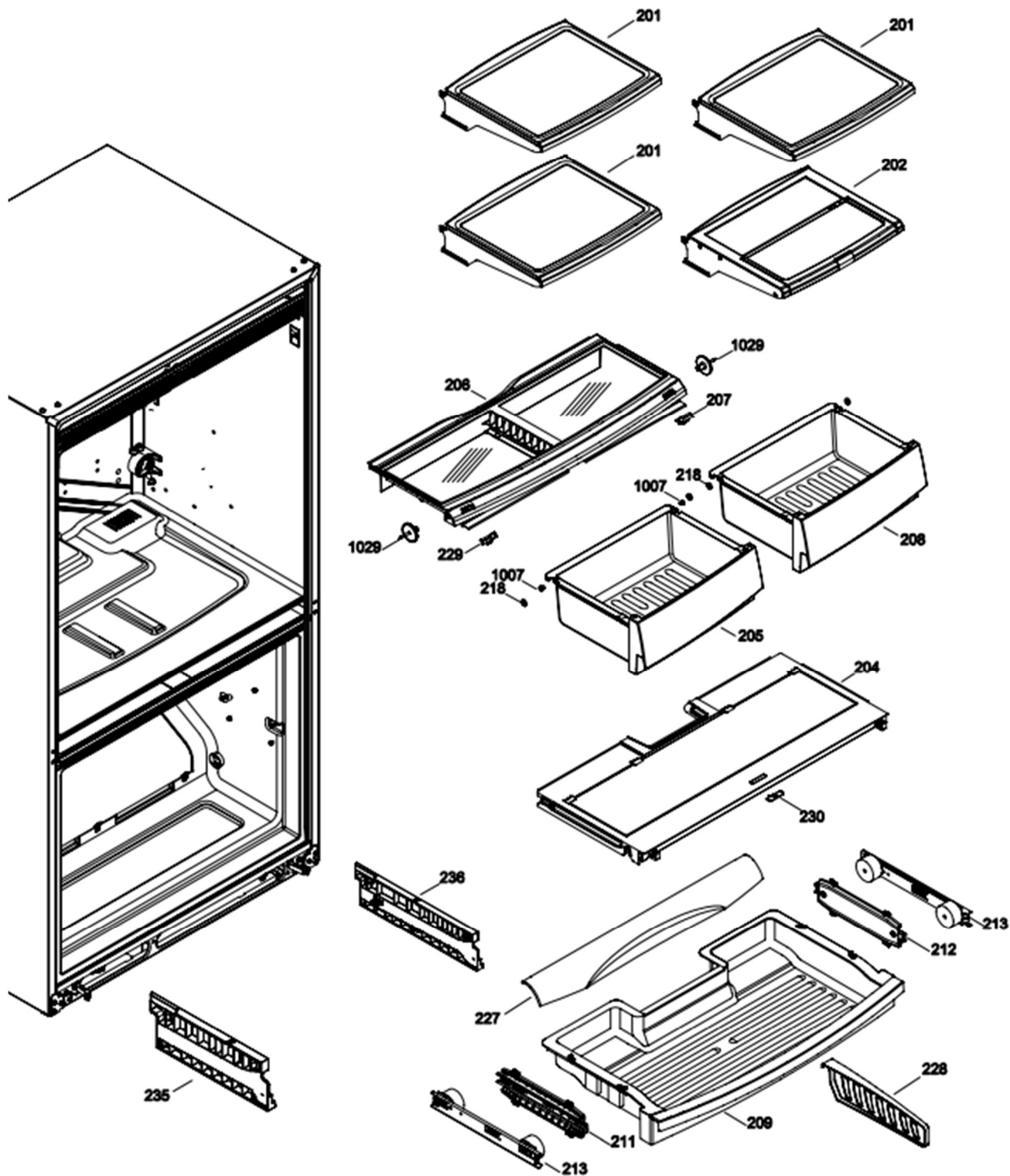
PUERTA ENFRIADOR DERECHA
FRESH FOOD DOOR RIGHT

PFMS1FFBAFSF



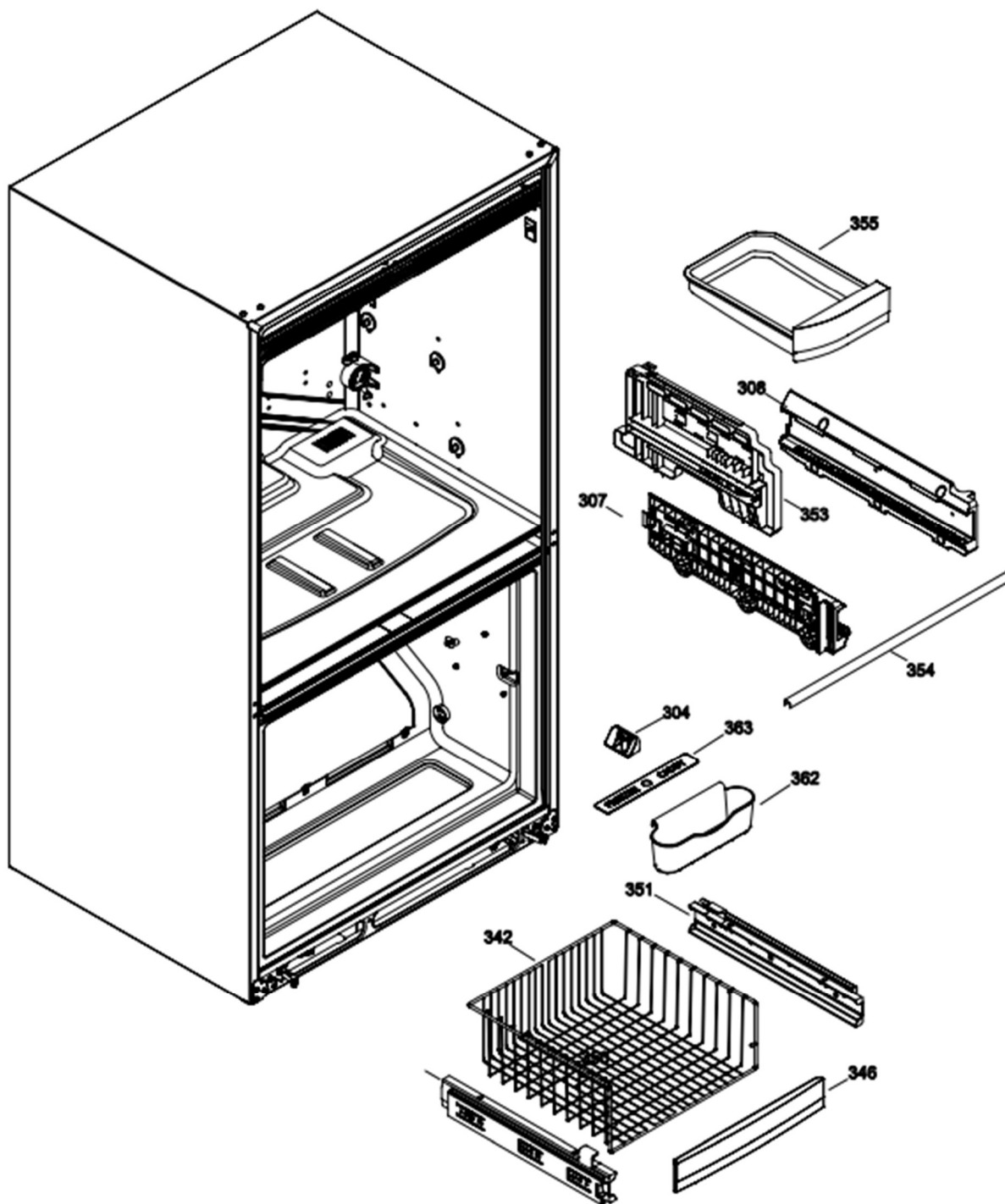
PARRILLAS DEL CONSERVADOR DE ALIMENTOS FRESH FOOD SHELVES FF

PFMS1FFBAFSF



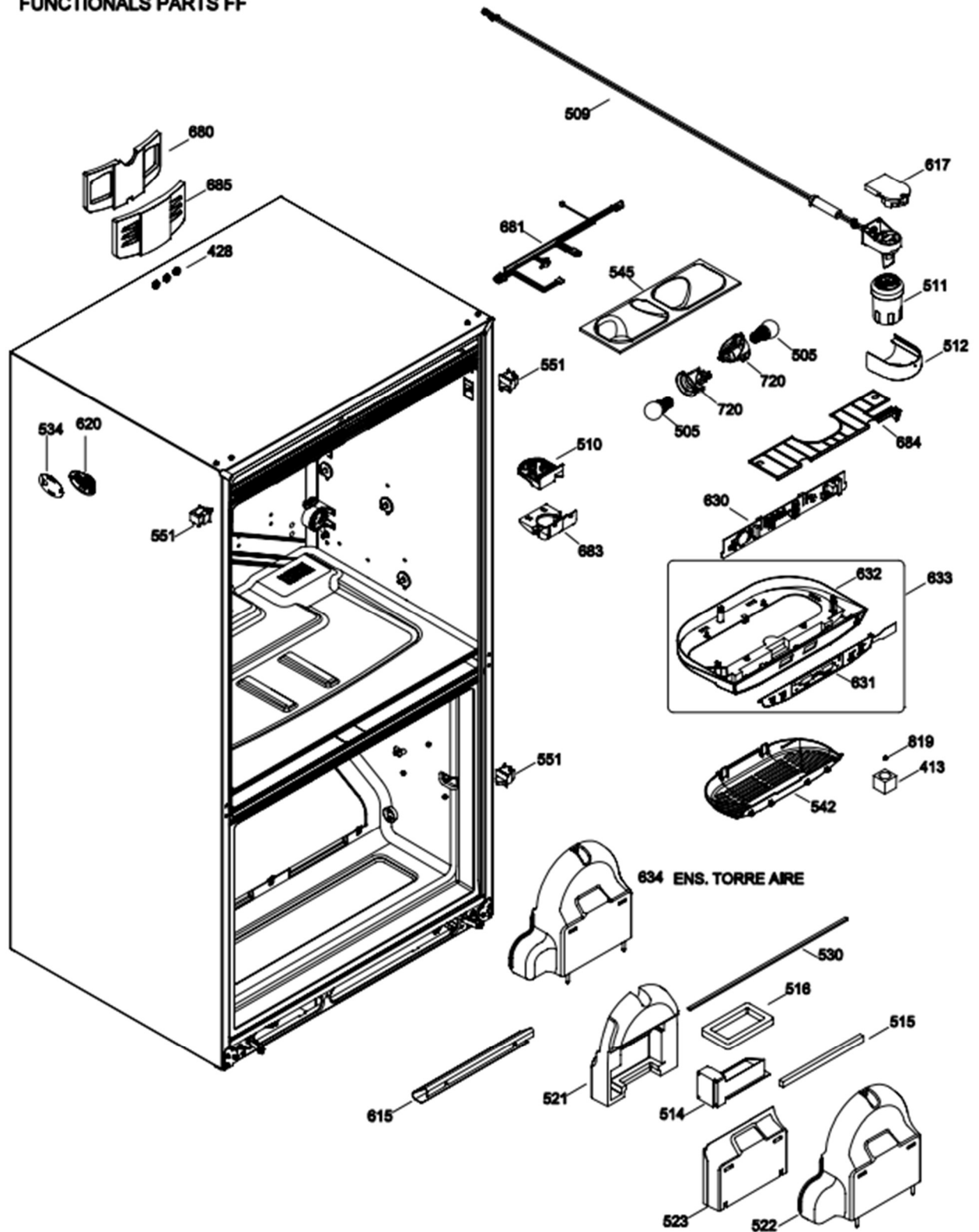
CANASTAS DEL CONGELADOR DE ALIMENTOS
FREEZER SECTION BASKETS

PFMS1FFBAFSF



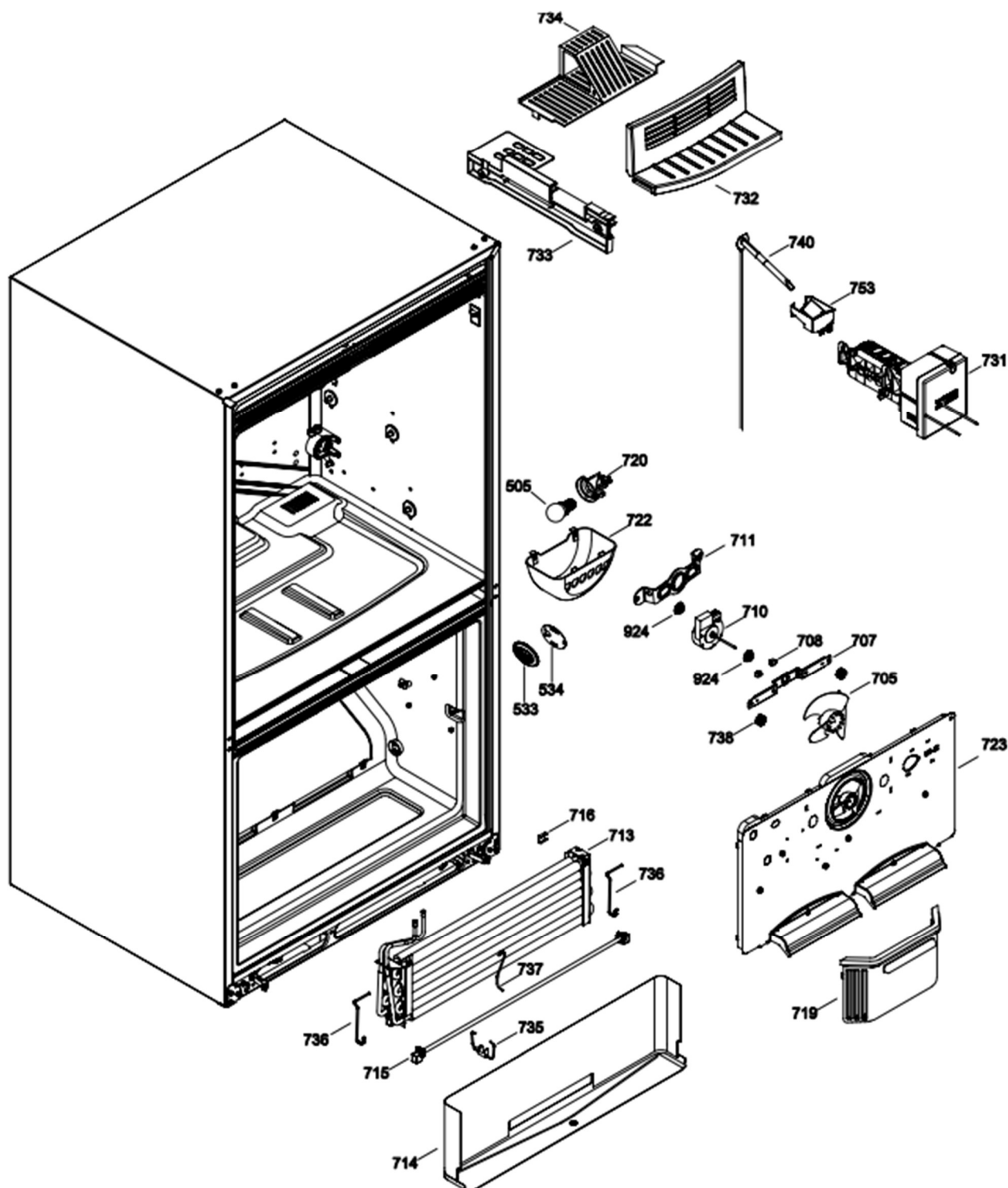
PARTES FUNCIONALES DEL CONSEVADOR
FUNCTIONALS PARTS FF

PFMS1FFBAFSF



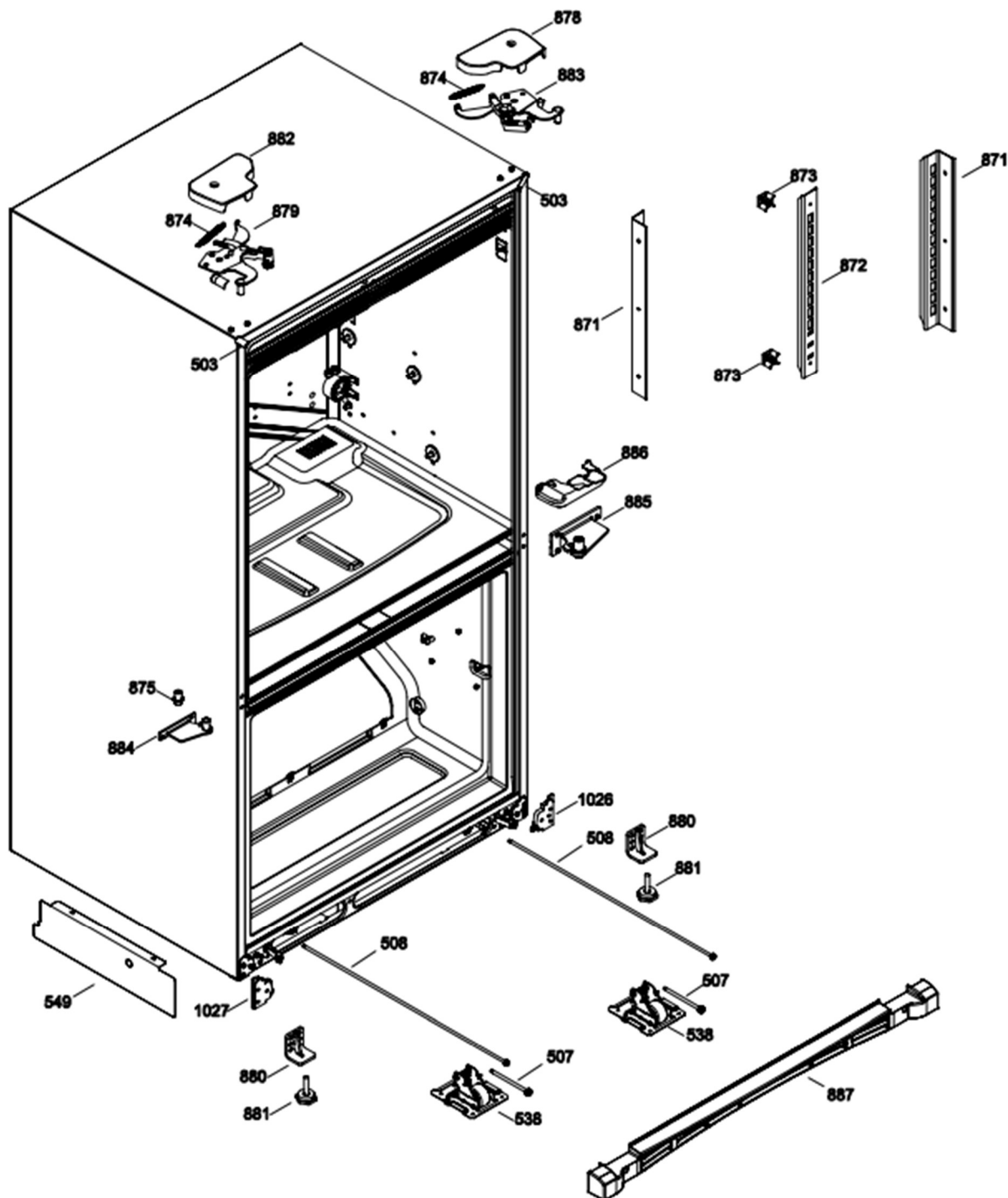
PARTES FUNCIONALES DEL CONGELADOR
FUNCTIONALS PARTS FZ

PFMS1FFBAFSF



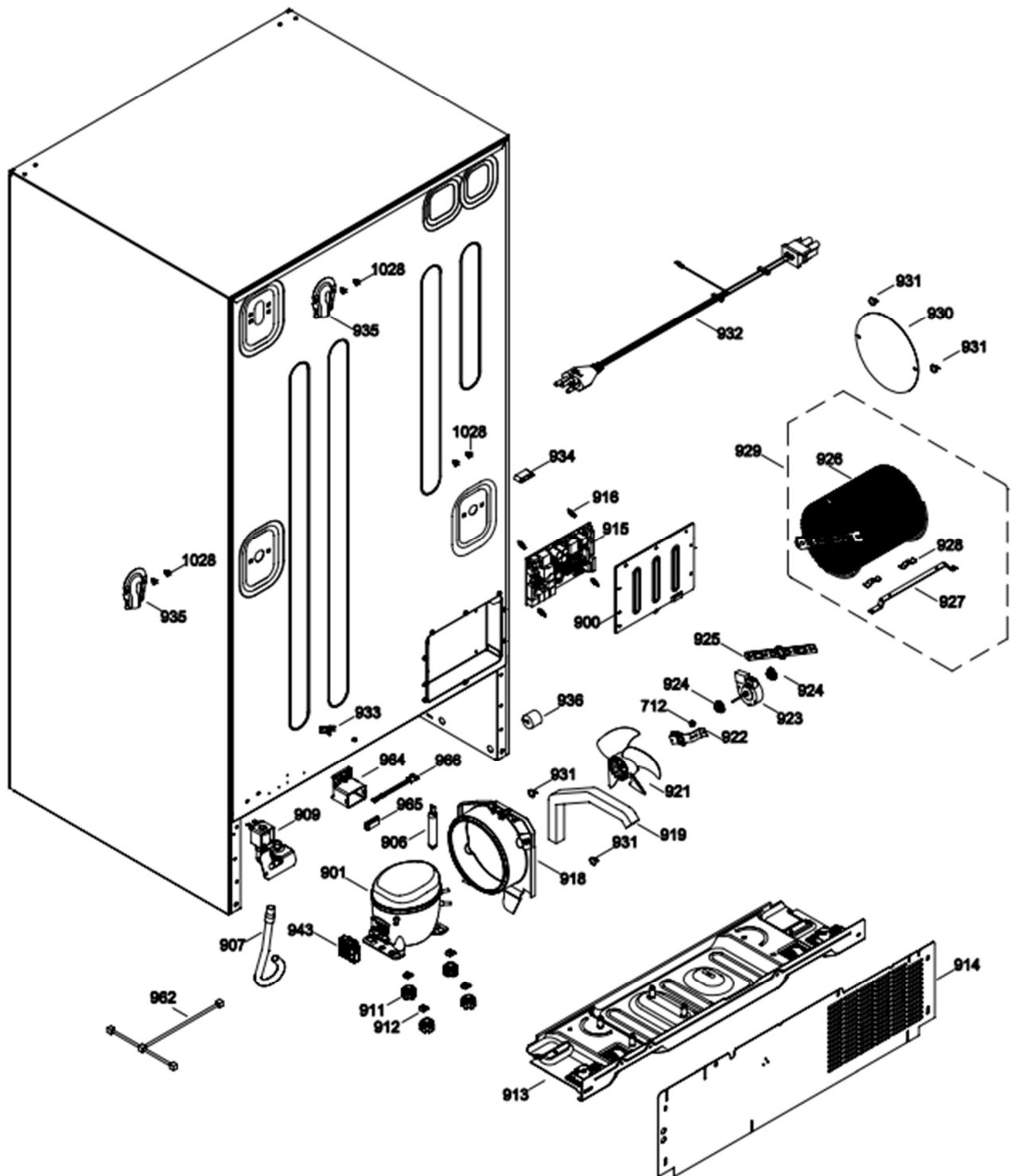
PARTES BISAGRAS DEL REFRIGERADOR PARTS HINGE FRIDGE

PFMS1FFBAFSF



UNIDAD REFRIGERANTE Y TARJETA PRINCIPAL
SEALED SYSTEM AND MOTHER BOARD

PFMS1FFBAFSF



| Guía | Refacción | Descripción |
|------|------------|----------------------------------|
| 1 | WR01L01671 | ENS. PUERTA CURVA ESPUMADA CONG. |
| 2 | WR01F00845 | ENGRANE PIÑÓN |
| 4 | WR01L09181 | JALADERA PTA CONG ENS |
| 6 | WR01L02088 | SELLO PUERTA |
| 7 | WR01L09180 | JALADERA PTA CONG ENS |
| 18 | WR01L00165 | BASKET LOWER SD |
| 25 | WR01A00124 | SOPORTE |
| 31 | WR01L00937 | BARRA TRANSVERSAL PIÑÓN |
| 54 | WR01L04417 | SLIDE LOWER ASM 21 |
| 54 | WR01A01822 | SLIDE LOWER ASM 21 |
| 55 | WR01F00710 | DIVISOR CANASTO INF. |
| 68 | WR01A00119 | SOPORTE CORREDERA INF. |
| 69 | WR01A00121 | SOPORTE CORREDERA INF. |
| 79 | WR01A00010 | RONDANA JALADERA |
| 82 | WR01F00844 | PINON POST. |
| 101 | WR01L01454 | ENS. PUERTA CURVA ESPUMADA REFR. |
| 102 | WR01L02134 | SELLO PUERTA FRANCESA |
| 103 | WR01L02772 | LENTE PLACA |
| 106 | WR01A00991 | THIMBLE DOOR FF |
| 107 | WR01L02892 | MODULO ANAQUEL REFR. FIJO |
| 108 | WR01A00161 | AMORTIGUADOR PUERTA FRANCESA |
| 110 | WR01L02872 | ENS. ANAQUEL REFR. |
| 113 | WR01L01271 | PUERTA LACTEOS |
| 114 | WR01L04473 | TAPON ENCHUFE |
| 125 | WR01L00665 | MANTEQUILLERO |
| 135 | WR01L00498 | CAM FF CLOSURE LH |
| 136 | WR01A00235 | TOPE PUERTA |
| 151 | WR01L01485 | PUERTA CONSERVADOR DERECHA(ACE |
| 152 | WR01L00508 | CAM FF CLOSURE RH |
| 153 | WR01A00020 | ENS. MANGUETE VERTICAL |
| 154 | WR01F00121 | ANAQUEL DE BEBIDAS |
| 156 | WR01A00524 | ENCHUFE MANGUETE |
| 157 | WR01A00199 | CLIP BISAGRA MANGUETE |
| 168 | WR01A00925 | RESORTE CONDUCTO AGUA |
| 201 | WR01L04222 | SHELF ASM SLIDEOUT |

| Guía | Refacción | Descripción |
|------|------------|-----------------------------|
| 202 | WR01L04226 | SHELF ASM TUCKAWAY |
| 204 | WR01L02027 | FRAME MEAT PAN ASM |
| 205 | WR01L00442 | ENS. CAJON VEG. |
| 206 | WR01L04463 | TAPA VIDRIO CAJON LEGUMBRES |
| 207 | WR01F00500 | CONTROL DESLIZANTE |
| 208 | WR01L00432 | ENS. CAJON VEG. |
| 209 | WR01L03046 | PAN MEAT FULL WIDTH ASM |
| 211 | WR01A00767 | SLIDE & BRACKET ASM |
| 212 | WR01A00766 | SLIDE & BRACKET ASM |
| 213 | WR01A00897 | ENS. SEP. RIEL |
| 218 | WR01F01936 | RUEDA CORREDIZA |
| 227 | WR01L00814 | ENS. CUBIERTA CAPELO |
| 228 | WR01F00720 | DIVISOR DEL CAJON CARNES |
| 229 | WR01F00501 | CONTROL DESLIZANTE |
| 230 | WR01A00802 | CONTROL CAJON CARNES |
| 235 | WR01L04398 | SOPORTE LATERAL |
| 236 | WR01L04396 | SOPORTE LATERAL |
| 304 | WR01L04427 | BARRA SOPORTE |
| 307 | WR01A00566 | SOPORTE RIEL CONG. INF. |
| 308 | WR01A00570 | SOPORTE RIEL CONG. INF. |
| 342 | WR01L00188 | BASKET UPPER FZ |
| 346 | WR01L02425 | JALADERA SUP. CANASTA CONG. |
| 350 | WR01A00792 | ENS. RIEL SUP. |
| 351 | WR01A00791 | ENS. RIEL SUP. |
| 353 | WR01F00712 | DIVIDER GUIDE RAIL |
| 354 | WR01A00043 | SOPORTE VIGA |
| 355 | WR01L00314 | BUCKET ICE |
| 362 | WR01L00177 | CESTA PIZZA |
| 363 | WR01L01918 | TRAMPA |
| 364 | WR01A00246 | ESPACIADOR |
| 365 | WR01F00135 | PERILLA CIERRE |
| 366 | WR01A00580 | REMACHE |
| 413 | WR01L04392 | SOLENOIDE |
| 428 | WR01F00849 | SELLO GOMA |
| 503 | WR01L01087 | ESQUINERO GABINETE |

| Guía | Refacción | Descripción |
|------|------------|---------------------------------|
| 505 | WR01F02524 | LAMPARA LED |
| 505 | WR03F04587 | LAMPARA LED |
| 505 | WR01F04284 | LAMPARA LED |
| 507 | WR01A01054 | TORNILLO MOVIL |
| 508 | WR01A01053 | TORNILLO MOVIL |
| 509 | WR01F00796 | ENS. FILTRO Y TUBO |
| 509 | WR01F04718 | ENS. FILTRO Y TUBO |
| 510 | WR01A00958 | TOPE SUP. MANGUETE |
| 511 | WR01F00806 | FILTRO DE AGUA |
| 511 | WR01A01876 | FILTRO DE AGUA |
| 512 | WR01L00921 | CUBIERTA FILTRO AGUA |
| 512 | WR01L00923 | CUBIERTA FILTRO AGUA |
| 514 | WR01F00626 | REGULADOR MOTORIZADO TORRE AIR |
| 515 | WR01L02189 | SELLO TORRE DE AIRE |
| 516 | WR01L02119 | GASKET FF INLET |
| 521 | WR01F00752 | EPS AIR TOWER BACK |
| 522 | WR01L00720 | CUBIERTA TORRE AIRE REFR. |
| 523 | WR01A00240 | EPS AIR TOWER FF |
| 530 | WR01L02190 | SELLO TORRE DE AIRE |
| 533 | WR01L04066 | REJILLA SENSOR |
| 534 | WR01L04393 | CUBIERTA SENSOR |
| 538 | WR01L02983 | ENS. MOVIL FRONTAL |
| 542 | WR01L04209 | PROTECTOR LUZ REFR. |
| 545 | WR01L04053 | REFLECTOR LAMPARA REFR. |
| 549 | WR01F00010 | DIVISOR AIRE HS |
| 551 | WR01L04430 | INTERRUPTOR |
| 551 | WG03F03974 | INTERRUPTOR |
| 615 | WR01F00009 | DESVIADOR AIRE |
| 617 | WR01F01094 | AISLAMIENTO DE CABEZA DE FILTRO |
| 620 | WR01L02290 | SENSOR PARRILLA |
| 630 | WR01F00253 | BOARD ASM TEMP |
| 631 | WR01F02495 | MEMBRANA DE CONTROL DE TEMPERA |
| 632 | WR01F01017 | CUBIERTA CAJA CONTRO |
| 633 | WR01F02496 | PANEL CONTROL DE TEMPERATURA E |
| 634 | WR01F00017 | ENSAMBLE TORRE DE AIRE |

| Guía | Refacción | Descripción |
|------|------------|--------------------------------|
| 680 | WR01A00245 | EPS VENT DUCT VERTICAL |
| 681 | WR01F00952 | HARNESS FF CTRL |
| 683 | WR01A00909 | FILTRO AGUA ESPACIADOR |
| 684 | WR01L00898 | CUBIERTA SUP. |
| 685 | WR01L04624 | VENT DUCT VERTICAL |
| 705 | WR01F00095 | ASPA DE VENTILA |
| 705 | WR01F04650 | ASPA DE VENTILA |
| 707 | WR01A00096 | BRACKET FAN EVAP FRONT |
| 708 | WR01A00163 | PARACHOQUES TAPA |
| 710 | WR01F01627 | ENSAMBLE MOTOR EVAP DC |
| 711 | WR01A00878 | BRACKET EVAP FAN BTM |
| 712 | WR01A00162 | BUMPER LID |
| 713 | WR01L02794 | SISTEMA BAJA PRESION |
| 714 | WR01L04384 | ENS. PROTECTOR CANALETA |
| 715 | WR01F00995 | ENS. CALENTADOR DESCONG. |
| 716 | WR01A00133 | BROCHE DE TERMISTOR |
| 719 | WR01L00795 | ENS. CUBIERTA VENTILADOR EVAP. |
| 720 | WR01F01779 | ENS. SOCKET Y TERMINALES |
| 722 | WR01L04383 | PROTECTOR LUZ CONG. |
| 723 | WR01L01102 | CUBIERTA EVAPORADOR ENSAMBLE |
| 731 | WR01L02566 | ENS. FABRICANTE HIELO |
| 731 | WR01F04517 | ENS. FABRICANTE HIELO |
| 731 | WR01F04679 | FABRICANTE DE HIELOS |
| 732 | WR01L04238 | SHELF CHILLER 21 |
| 733 | WR01L02214 | GLIDE LH |
| 734 | WR01L00748 | CUBRE TAZON HIELOS |
| 735 | WR01F01006 | ENS. RETENEDOR |
| 736 | WR01F00990 | CONDUCTOR DE CALOR P/ DESHIELO |
| 737 | WR01F00991 | ALAMBRE CALEFACTOR |
| 738 | WR01F00874 | GROMMET EVAP FAN |
| 740 | WR01F00858 | ENS. TUBO & TAPON |
| 753 | WR01L01185 | TAZA LLENADO FABRICA HIELOS |
| 819 | WR01A01065 | RONDANA RETENEDORA |
| 871 | WR01F01860 | BASTIDOR LATERAL REFR. |
| 872 | WR01F01856 | ENS. RIEL CENTRAL |

| Guía | Refacción | Descripción |
|------|------------|--------------------------------|
| 873 | WR01A00908 | SEPARADOR RIEL |
| 874 | WR01A00582 | RESORTE CIERRE PUERTA |
| 875 | WR01A00465 | PERNO BISAGRA AJUSTABLE |
| 878 | WR01L00957 | CUBRE BISAGRA SUP. DER. |
| 879 | WR01L02482 | ENS. BISAGRA CIERRE |
| 880 | WR01A00109 | ENS. PIERNA SOPORTE |
| 881 | WR01A00718 | TORNILLO NIVELADOR |
| 882 | WR01L00958 | CUBRE BISAGRA SUP. IZQ. |
| 883 | WR01L02481 | ENS. BISAGRA CIERRE |
| 884 | WR01L00597 | ENS. BISAGRA COMPLETA |
| 885 | WR01L00606 | ENS. BISAGRA CENTRAL |
| 886 | WR01L00841 | CUBRE BISAGRA |
| 887 | WR01L02285 | CUBIERTA BASE PARRILLA |
| 900 | WR01L01043 | ENS. CUBIERTA TARJETA |
| 901 | WR01F01522 | INVERTER COMPRESSOR EMBRA |
| 901 | WR01F01523 | INVERTER COMPRESSOR EMBRA |
| 901 | WR03F04774 | COMPRESOR INVERTER |
| 906 | WR01L01927 | FILTRO DESHIDRATADOR |
| 907 | WR01F01884 | TUBO DESHIELO |
| 909 | WR01F01743 | VALVULA DE AGUA SENCILLA ENS |
| 911 | WR01F00846 | ARANDELA COMPRESOR |
| 911 | WR01L13035 | ARANDELA COMPRESOR |
| 912 | WR01A00191 | CLIP COMPRESOR |
| 913 | WR01L00131 | ENS. PLACA BASE MONTAJE RUEDAS |
| 914 | WR01L00714 | CUBIERTA ACCESO |
| 914 | WR01L00019 | CUBIERTA ACCESO |
| 914 | WR01L00019 | TAPA ACCESO |
| 915 | WR01F00288 | TARJETA CONTROL PRINCIPAL |
| 916 | WR01A00223 | SEPARADOR AISLANTE |
| 918 | WR01L04391 | CUBIERTA CONDENSADOR |
| 919 | WR01A00178 | FOAM STRIP SE ADH |
| 921 | WR01F00097 | ASPA DE VENTILADOR |
| 921 | WR02F04236 | ASPA DE VENTILADOR |
| 922 | WR01A00069 | SOPORTE VENTILADOR DELANTERO |
| 922 | WR01A02394 | SOPORTE VENTILADOR DELANTERO |

| Guía | Refacción | Descripción |
|------|------------|-----------------------------|
| 923 | WR01F01616 | MOTOR CONDENSADOR |
| 923 | WR02F04237 | MOTOR CONDENSADOR |
| 924 | WR01A00579 | REFUERZO EVAPORADOR/VE |
| 925 | WR01A00886 | SOPORTE VENTILADOR POST. |
| 926 | WR01F01795 | SOPORTE-CONDENSADOR ENS |
| 927 | WR01A00072 | SOPORTE CONDENSADOR |
| 928 | WR01A00208 | CLIP CONDENSADOR |
| 929 | WR01F00420 | CONDENSER, MTG ASM (EMB) |
| 930 | WR01F00113 | BAFFLE COND AIR |
| 931 | WR01A01080 | LLANTA ALAMBRE |
| 932 | WR01F00049 | ARNES INFERIOR DEL GABINETE |
| 933 | WR01A00384 | MORDAZA CABLE |
| 934 | WR01A00184 | TUBO ABRAZADERA |
| 935 | WR01L01141 | CUBIERTA LINEA DE AGUA |
| 936 | WR01F00848 | SELLO GOMA |
| 943 | WR01F01521 | INVERTIDOR EMB ENSAMBLE |
| 943 | WR01F02557 | INVERTIDOR EMB ENSAMBLE |
| 943 | WR01F04233 | INVERSOR ENSAMBLE |
| 943 | WR01F04234 | INVERSOR ENSAMBLE |
| 962 | WR01F00958 | ARNES TIERRA ELECTRICA |
| 962 | WR03F04644 | ARNES TIERRA ELECTRICA |
| 964 | WR01F01027 | CARCAZA SENSOR HUMEDAD |
| 965 | WR01F01731 | SENSOR DE HUMEDAD |
| 966 | WR01F00900 | ADAPTADOR ARNES SENSOR |
| 1007 | WR01A00968 | SOPORTE ANAQUEL |
| 1026 | WR01A00620 | RIEL ESPACIADOR FRONTAL |
| 1027 | WR01A00622 | RIEL ESPACIADOR FRONTAL |
| 1028 | WR01F00875 | GROMMET P/TORNILLO |
| 1029 | WR01A00975 | ENS. SOPORTE CHAROLA VEG. |
| 1072 | WR01A00269 | TORNILLO |