

Distribuidor Autorizado

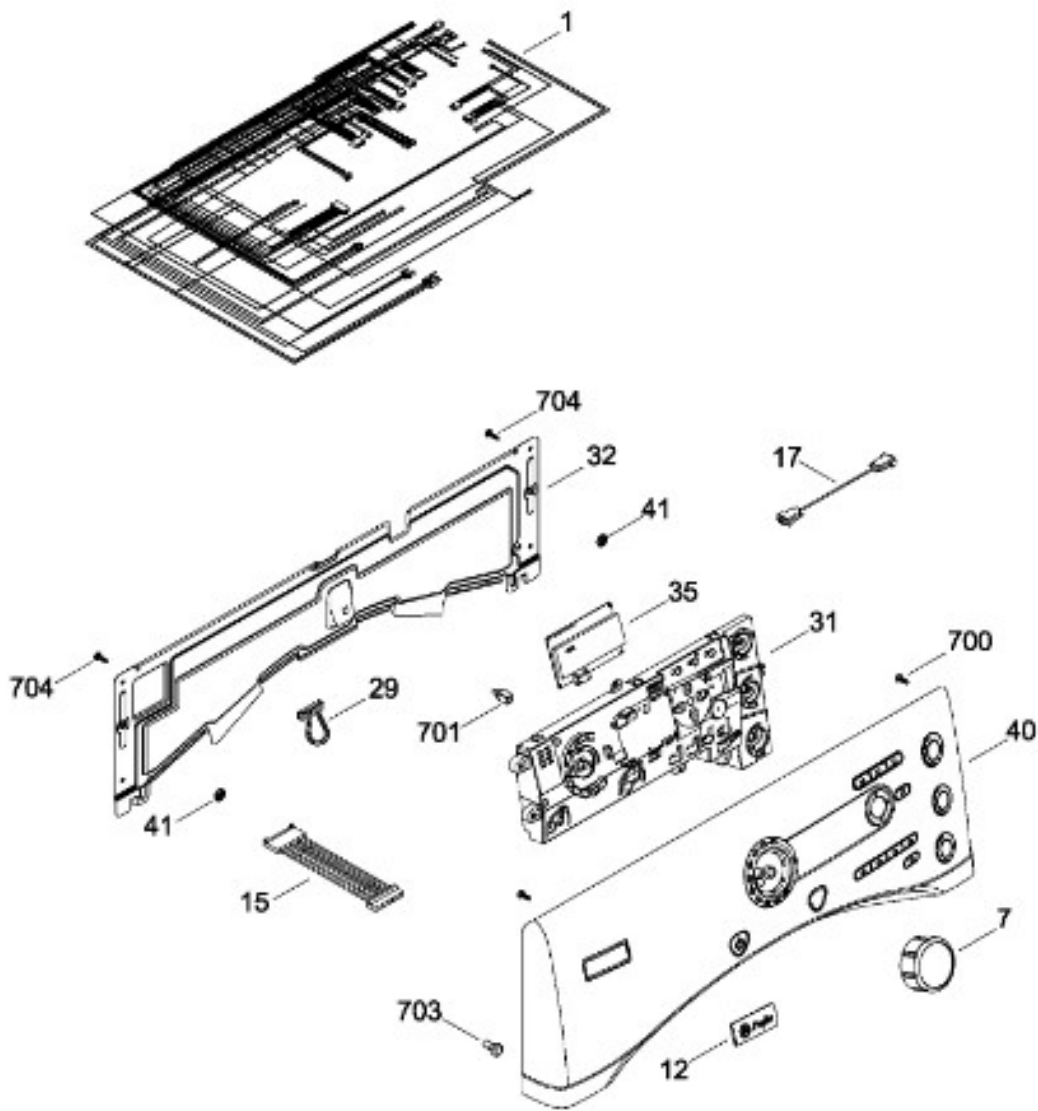
SurteRápido.com

Venta de Refacciones
Electrodomesticas

SECADORA PFMS450GL0WW

CONTROL & BACKSPLASH

PFMS450GL0WW



Distribuidor Autorizado

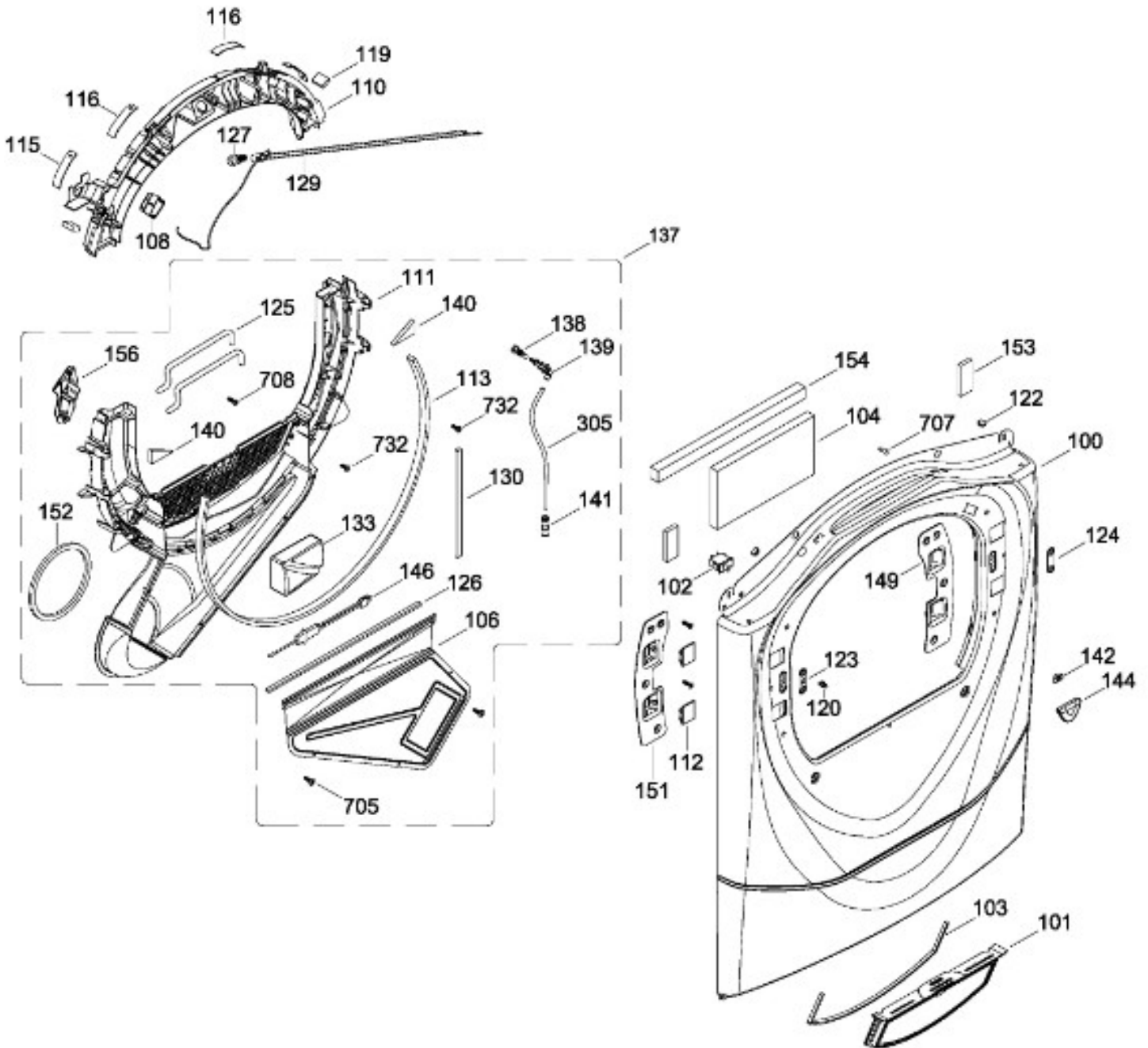
SurteRápido.com

Venta de Refacciones
Electrodomesticas

SECADORA PFMS450GL0WW

FRONT PANEL

PFMS450GL0WW



Distribuidor Autorizado

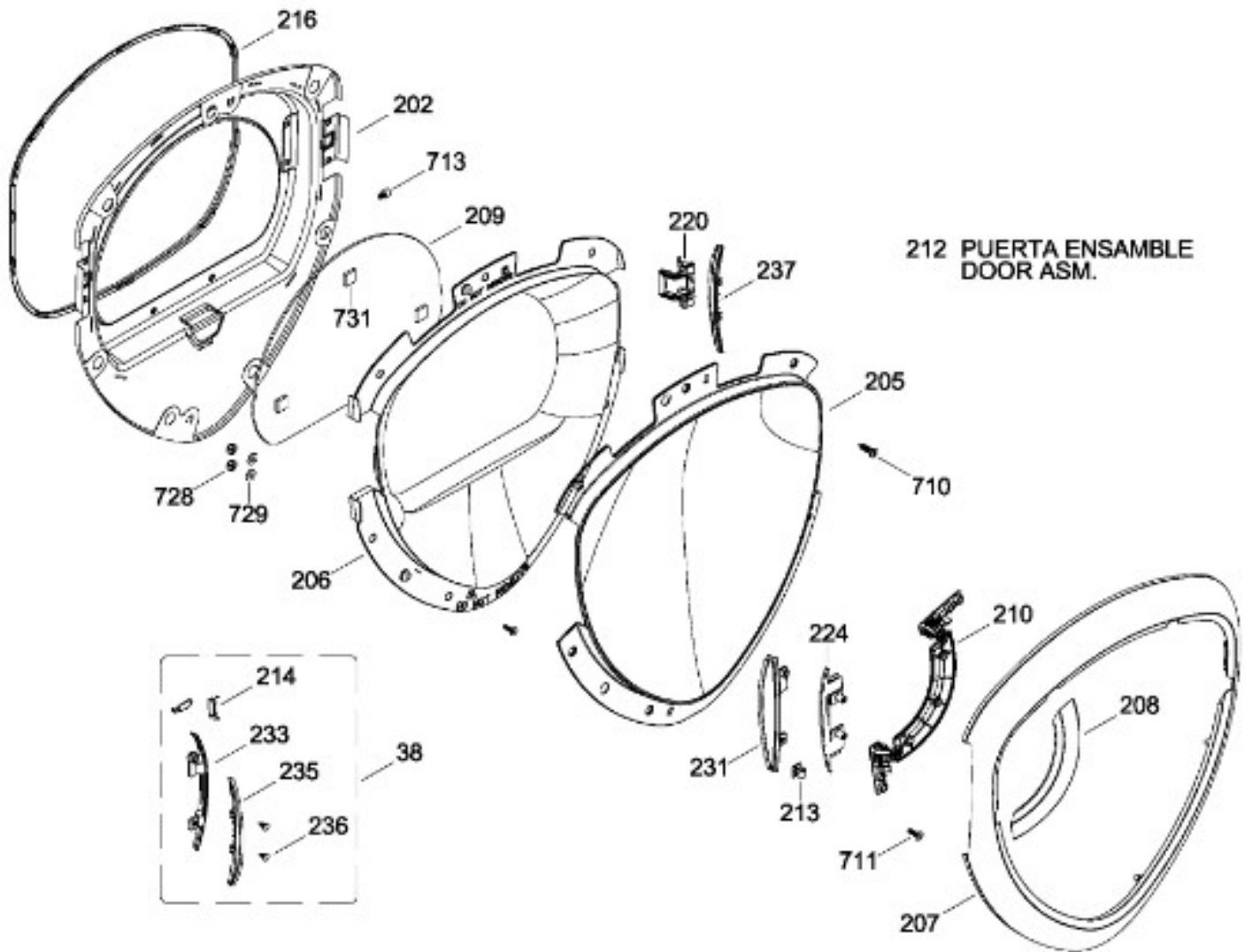
SurteRápido.com

Venta de Refacciones
Electrodomesticas

SECADORA PFMS450GL0WW

DOOR ASSEMBLY

PFMS450GL0WW



Distribuidor Autorizado

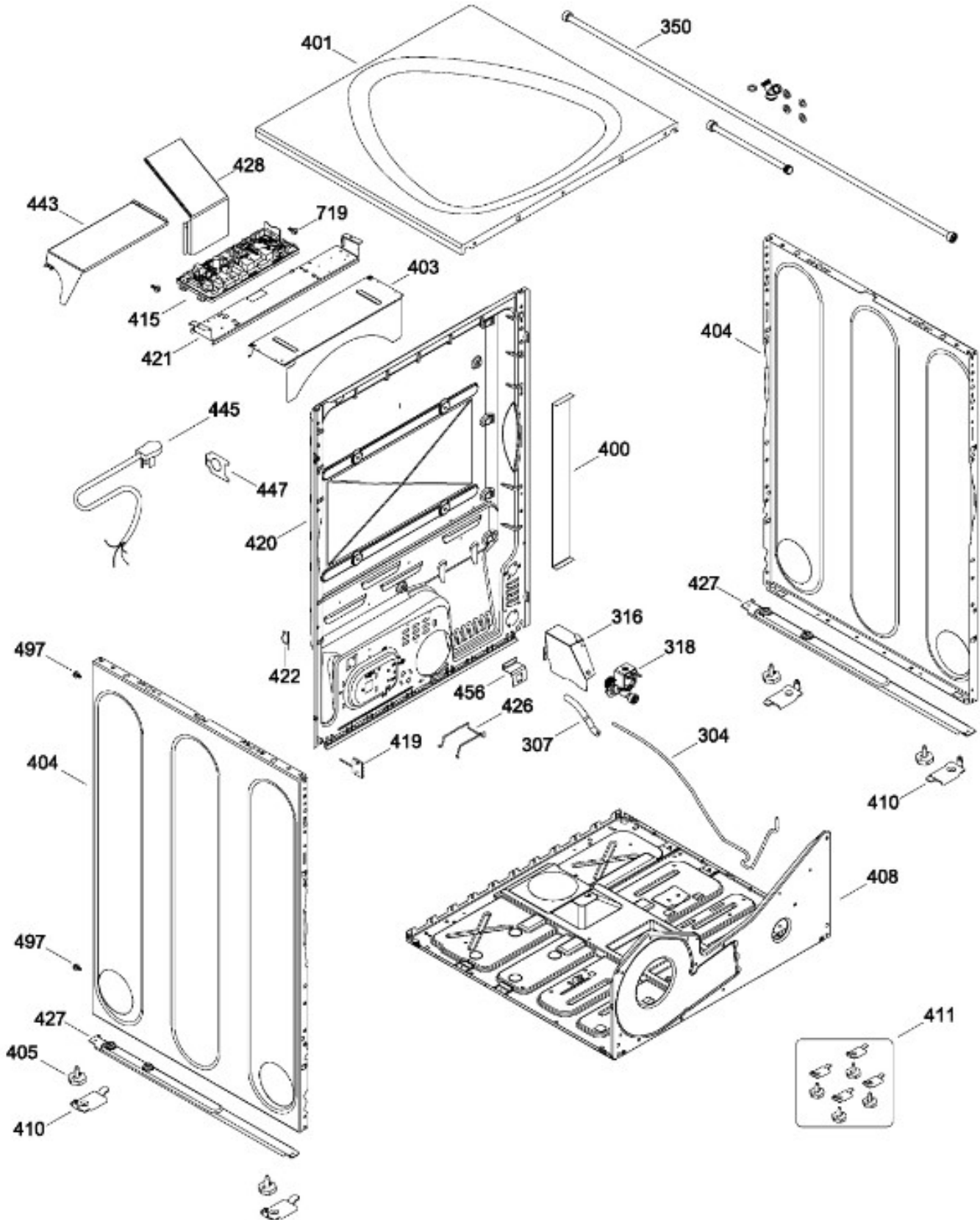
SurteRápido.com

Venta de Refacciones
Electrodomesticas

SECADORA PFMS450GL0WW

GABINETE

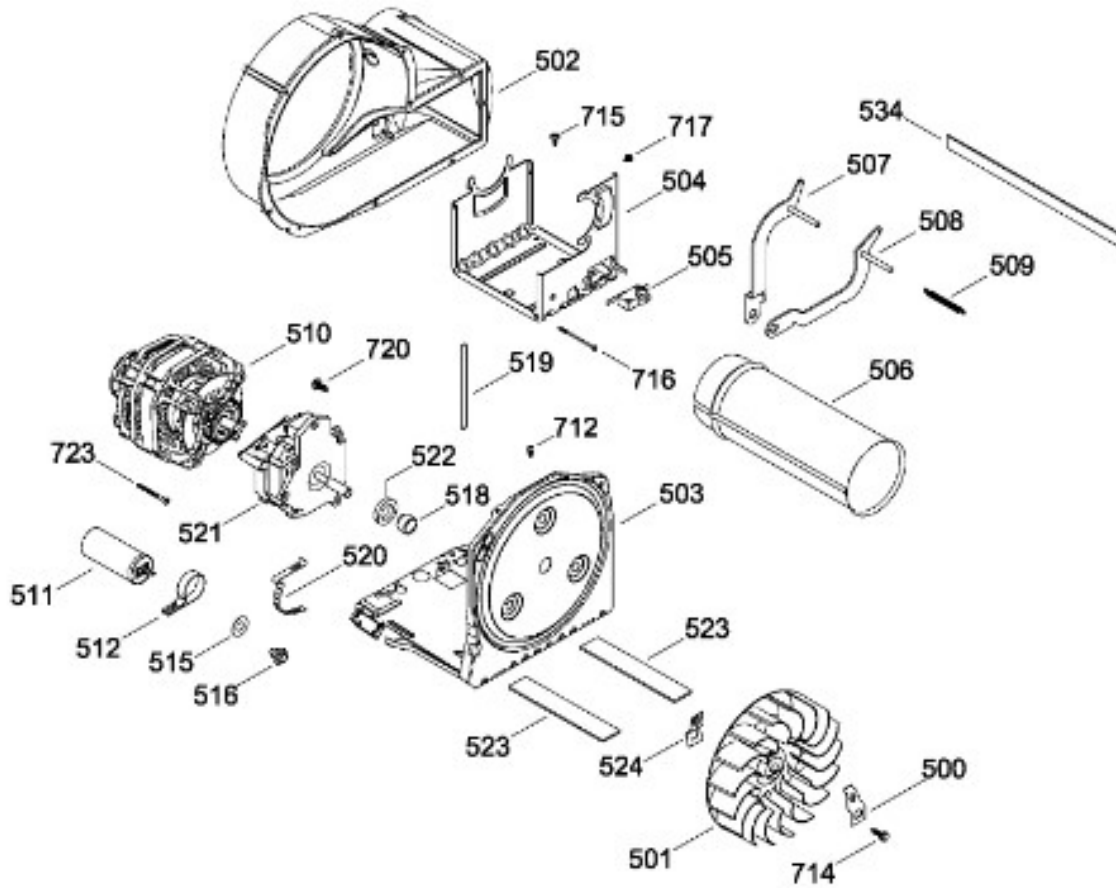
PFMS450GL0WW



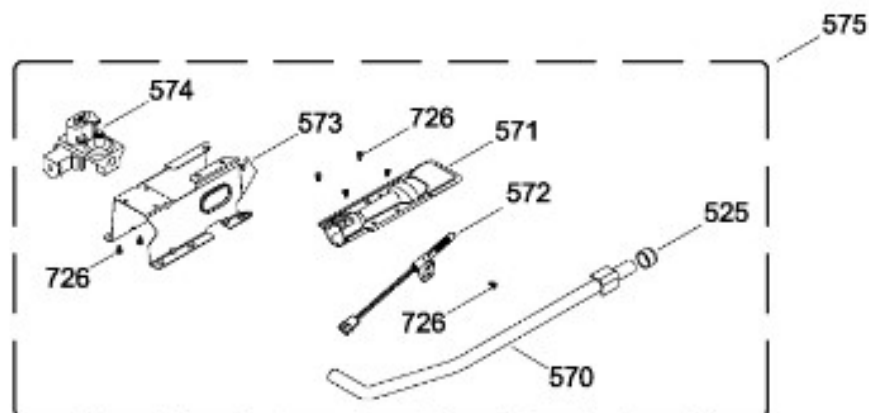
SECADORA PFMS450GL0WW

SISTEMA DE TRANSMISION / BLOWER & DRIVE ASSEMBLY

PFMS450GL0WW



QUEMADOR / BURNER



Distribuidor Autorizado

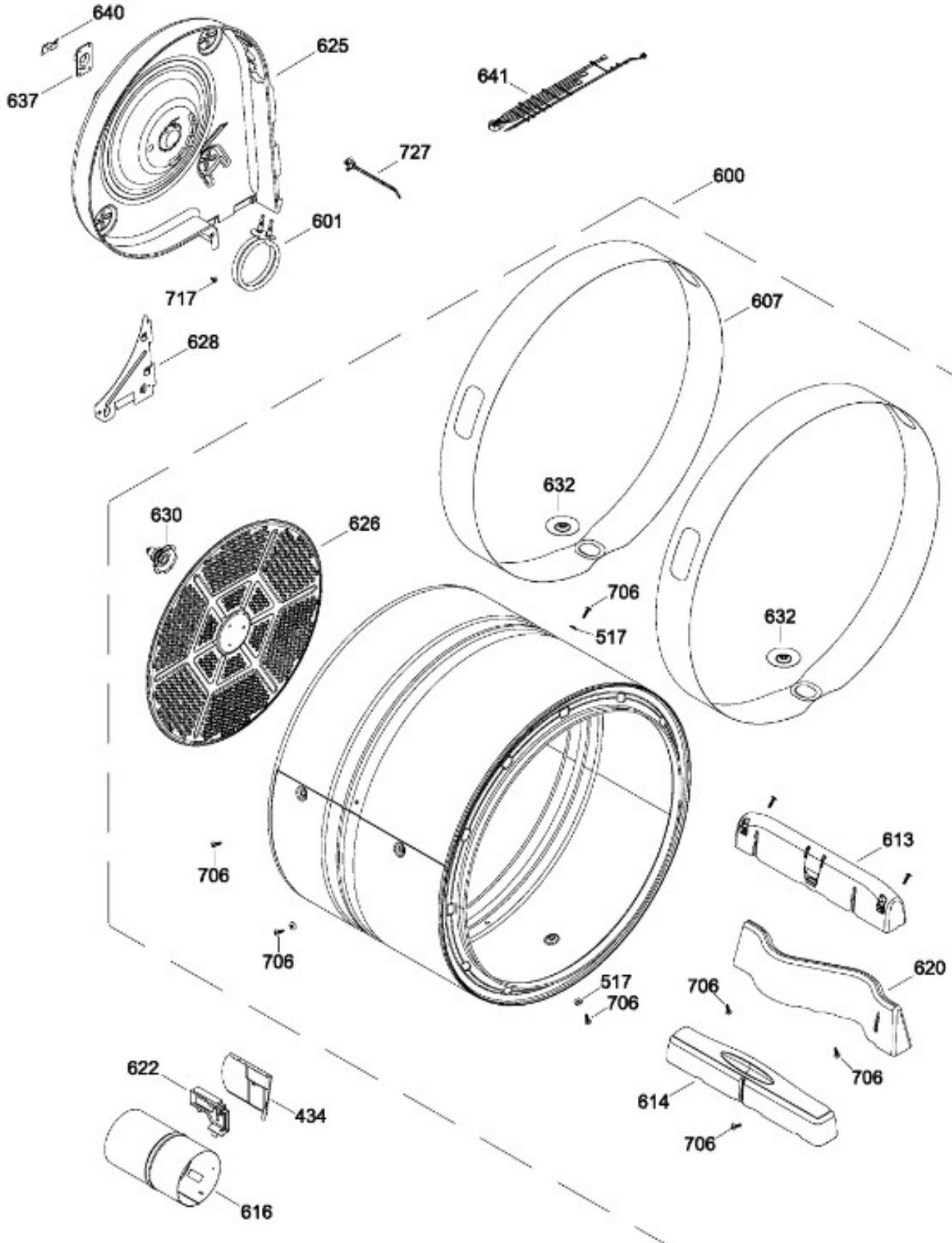
SurteRápido.com

Venta de Refacciones
Electrodomesticas

SECADORA PFMS450GL0WW

TAMBOR

PFMS450GL0WW



Distribuidor Autorizado

SurteRápido.com

Venta de Refacciones
Electrodomesticas

SECADORA PFMS450GLOWW

| Guía | Refacción | Descripción |
|------|--------------|--------------------------------|
| 1 | WW03F00286 | ARNES MAESTRO |
| 7 | WW02L00194 | BASE DE PERILLA |
| 12 | WW02A00079 | BADGE GE PROFILE |
| 15 | WW02A00117 | WIRING HARNESS: UI VFD AND |
| 17 | WW02F00120 | COMMUNICATION CABLE (WASHER-DR |
| 29 | WW03F00287 | ARNES (GAS) |
| 31 | WW03F00288 | TARJETA CHASIS ENS |
| 32 | WW02L00177 | FRONT SHIELD |
| 35 | WW02F00085 | VFD DISPLAY BOARD |
| 38 | WW03A00140 | KIT DE REVERSIBILIDAD |
| 40 | WW03L00183 | PANEL FRONTAL ENS |
| 41 | WW02F00184 | WHEEL FRONT SHIELD |
| 100 | WW02L00090 | FRONT PANEL WHITE |
| 101 | WW02L00089 | FILTER + MESH ASSEMBLY |
| 101 | WW03L00186 | FILTER + MESH ASSEMBLY |
| 101 | WW02F00614 | MARCO Y FILTRO ENS |
| 102 | WW02L00025 | INTERRUPTOR PUERTA |
| 103 | WW03L00187 | SELLO FILTRO |
| 104 | WW02F00386 | FRONT INSULATION |
| 106 | WW02F00179 | TRAP DUCT COVER |
| 106 | WW02F00179 | TRAP DUCT COVER |
| 108 | WW02L00172 | DOOR SWITCH COVER |
| 110 | WW03L00284 | SOPORTE SUPERIOR ENS |
| 111 | WW03A00166 | DUCTO TRAMPA |
| 112 | WW03L00188 | TAPON APERTURA FRONTAL(BCO) |
| 113 | WW02L00138 | FELPA DUCTO RECOLECTOR |
| 115 | WW02A00033 | BEARING_SLIDE |
| 116 | WW02L00038 | BEARING_SLIDE |
| 119 | WW02A00084 | CLEANING FELT |
| 120 | WW02A00004 | STRIKE |
| 122 | 102A3160P183 | PLUG BUTTON |
| 123 | WW02A00056 | STRIKE PLATE |
| 124 | WW02A00057 | STRIKE PLATE |
| 125 | WW02F00088 | SENSOR ROD |
| 126 | WW02L00040 | GASKET FOAM |

Distribuidor Autorizado

SurteRápido.com

Venta de Refacciones
Electrodomesticas

SECADORA PFMS450GLOWW

| Guía | Refacción | Descripción |
|------|------------|-------------------------------|
| 127 | WW02A00067 | LAMP |
| 127 | WW03F00458 | LAMP |
| 129 | WW02F00137 | HARNES TOP BEARING (SOCKET AS |
| 130 | WW02L00042 | SELLO |
| 133 | WW02F00132 | FOAM SPACER- TRAP DUCT COVER |
| 137 | WW03F00290 | DUCTO TRAMPA ENS |
| 138 | WW02A00092 | BOQUILLA |
| 139 | WW02F00121 | CODO |
| 140 | WW03F00291 | FELPA DUCTO RECOLECTOR |
| 141 | WW02F00122 | CONEXION DE SERVICIO |
| 142 | WW02A00093 | NUT-STRIP DOOR GUIDE |
| 144 | WW02L00167 | DOOR GUIDE |
| 146 | WW02F00135 | HARNES SENSORS |
| 149 | WW02L00183 | HINGE BASE PART L |
| 151 | WW02L00184 | HINGE BASE PART R |
| 152 | WW03L00190 | SELLO DUCTO TRAMPA |
| 152 | WW03F00354 | SELLO DUCTO TRAMPA |
| 153 | WW03F00292 | AISLANTE BISAGRA |
| 154 | WW03L00191 | AISLANTE COJINETE SUPERIOR |
| 156 | WW03A00141 | SOPORTE BOQUILLA |
| 202 | WW03L00192 | CONTRA PUERTA |
| 205 | WW02L00170 | DOOR OUTER WINDOW |
| 206 | WW02L00169 | DOOR MASK |
| 207 | WW03A00142 | ANILLO EXTERIOR |
| 208 | WW03L00193 | JALADERA SUPERIOR |
| 209 | WW02L00168 | DOOR INNER WINDOW |
| 210 | WW03L00194 | JALADERA INFERIOR |
| 212 | WW03L00195 | PUERTA ENS |
| 213 | WW02L00037 | LATCH ASM. |
| 214 | WW03L00196 | CUBIERTA JALADERA |
| 216 | WW03L00197 | SELLO PUERTA |
| 220 | WW02L00182 | HINGE ASSEMBLY |
| 224 | WW02L00188 | INNER DOOR CAP LEFT |
| 231 | WW03L00198 | CUBIERTA PUERTA |
| 233 | WW03L00199 | CUBIERTA PUERTA |

Distribuidor Autorizado

SurteRápido.com

Venta de Refacciones
Electrodomesticas

SECADORA PFMS450GLOWW

| Guía | Refacción | Descripción |
|------|--------------|-------------------------------|
| 235 | WW03L00200 | CUBIERTA BISAGRA |
| 236 | WW02A00082 | BEAUTY BOTTON |
| 237 | WW03L00201 | CUBIERTA BISAGRA |
| 304 | WW03F00293 | TUBO POSTERIOR |
| 305 | WW03F00132 | TUBO FRONTAL |
| 307 | WW03F00133 | AISLANTE |
| 316 | WW03L00202 | PROTECTOR VALVULA DE AGUA |
| 318 | WW02F00182 | VALVULA DE AGUA |
| 350 | 364B7057G001 | KIT MANGUERAS EXTERNAS |
| 400 | WW03L00203 | PLACA AMORTIGUADOR |
| 401 | WW02L00204 | TOP PANEL WHITE |
| 401 | WW02L00204 | TOP PANEL WHITE |
| 403 | 212D1495P001 | PLACA POSTERIOR |
| 404 | WW03L00205 | LATERAL(BCO) |
| 404 | WW03L00205 | LATERAL(BCO) |
| 404 | WW02L00644 | LATERAL(BCO) |
| 405 | WW02L00191 | PATTE DE NIVELLEMENT |
| 408 | WW02L00156 | CHASSIS BASE |
| 410 | WW02A00113 | SUPPORT (PATTE DE NIVELLEMENT |
| 411 | WW02F00139 | PATA NIVELADORA ENS |
| 415 | WW02F00169 | TARJETA PRINCIPAL ENS. |
| 419 | WW02F00145 | MOTOR CHANNEL FOAM |
| 420 | WW02L00196 | REAR PANEL |
| 420 | WW02L00196 | REAR PANEL |
| 421 | WW02F00140 | MAIN POWER BOARD SUPPORT |
| 422 | WW02F00022 | CORD SET RETAINER |
| 426 | WW03A00167 | PROTECTOR ESCAPE |
| 427 | WW02F00148 | MOTOR SUPPORT CHANNEL |
| 428 | WW03L00207 | PROTECTOR ENSAMBLE |
| 434 | WW03L00208 | PROTECTOR TERMOSTATO |
| 443 | WW03L00209 | PROTECTOR VALVULA DE GAS |
| 445 | WW02F00091 | CABLE TOMACORRIENTE |
| 447 | WW01A00458 | TAPA TOMACORRIENTE |
| 456 | WW02A00037 | BRIDE |
| 497 | WW01A00001 | TORNILLO |

Distribuidor Autorizado

SurteRápido.com

Venta de Refacciones
Electrodomesticas

SECADORA PFMS450GLOWW

| Guía | Refacción | Descripción |
|------|--------------|-------------------------------|
| 500 | WW02A00040 | ABRAZADERA VENTILADOR |
| 501 | WW02A00073 | VENTILADOR REDONDO |
| 502 | WW02F00107 | BLOWER HOUSING |
| 503 | WW03L00246 | BASE MOTOR |
| 504 | 212D1456P001 | U-SUPPORT |
| 505 | WW02F00138 | INTERRUPTOR PRESENCIA BANDA |
| 506 | WW02F00129 | EXHAUST DUCT |
| 506 | WW02F00721 | EXHAUST DUCT |
| 507 | WW02A00076 | ARM & PIN LEFT ASSY |
| 508 | WW02A00077 | BRAZO Y PERNO DER ENS |
| 509 | WW02A00112 | SPRING IDLER |
| 510 | WW02F00071 | ENS. MOTOR POLEA |
| 510 | WW03F00445 | ENS. MOTOR POLEA |
| 511 | WW01F00238 | CAPACITOR |
| 511 | WW01F00342 | CAPACITOR |
| 512 | WW02F00116 | CAPACITOR HOLDER |
| 515 | WW02A00094 | NYLON WASHER |
| 516 | WW02A00001 | REVERSIBLE IDLER |
| 517 | WW02A00002 | ARANDELA |
| 518 | WW02F00146 | MOTOR RUBBER WASHER (GROMMET) |
| 519 | WW02F00072 | BANDA |
| 519 | WW02F00896 | BANDA |
| 520 | WW02F00031 | CLIP MOTOR |
| 521 | WW02A00053 | BLOWER MOTOR (w/control) |
| 522 | WW02A00068 | BLOWER MOTOR FOAM |
| 523 | WW02A00075 | ABSORBER FOAM |
| 524 | WW02A00041 | ABRAZADERA VENTILADOR |
| 525 | WW02A00003 | TAPA |
| 534 | WW02A00026 | EMPAQUE ESCAPE SOPLADOR |
| 534 | WW02F00785 | EMPAQUE ESCAPE SOPLADOR |
| 570 | WW02A00058 | PIPE & LUG ASM. |
| 570 | WW03F00137 | PIPE & LUG ASM. |
| 571 | WW02A00020 | QUEMADORES |
| 572 | WW02F00002 | ALLUME-GAZ |
| 572 | WW02F00740 | ALLUME-GAZ |

Distribuidor Autorizado

SurteRápido.com

Venta de Refacciones
Electrodomesticas

SECADORA PFMS450GLOWW

| Guía | Refacción | Descripción |
|------|------------|------------------------------|
| 572 | WW01F01432 | ENCENDEDOR INCANDESCENTE |
| 573 | WW02F00077 | GAS VALVE BRACKET |
| 573 | WW03A00125 | GAS VALVE BRACKET |
| 574 | WW02F00100 | 2-STAGE GAS VALVE |
| 575 | WW02F00073 | VALVULA DE GAS Y SOPORTE ENS |
| 600 | WW03F00295 | ENS TAMBOR 7.5 ENTERPRISE/S |
| 601 | WW02F00115 | CALROD |
| 607 | WW02L00098 | BANDA TAMBOR |
| 613 | WW02F00133 | HANG DRY BAFFLE ASSEMBLY |
| 614 | WW02L00153 | BAFFLE AND SCREEN ASSEMBLY |
| 616 | WW02F00119 | COMBUSTION CHAMBER |
| 620 | WW02F00153 | S-BAFFLE |
| 622 | WW02F00001 | DETECTOR TERMOSTATO |
| 625 | WW02L00014 | DIFUSOR GAS |
| 625 | WW03F00095 | DIFUSOR GAS |
| 626 | WW02F00030 | DIFUSOR |
| 628 | WW02F00029 | DIFUSSER PLATE |
| 630 | WW02A00019 | SOPORTE Y FLECHA ENSAMBLE |
| 632 | WW02A00072 | RONDANDA BANDA |
| 637 | WW02A00005 | RETENEDOR RODAMIENTO |
| 640 | WW02F00026 | GROUND STRAP ASM. |
| 640 | WW01A00443 | GROUND STRAP ASM. |
| 640 | WW02F00833 | GROUND STRAP ASSEMBLY |
| 641 | WW03F00298 | ARNES DERECHO |
| 700 | WW02A00102 | SCREW CHASSIS TO FRONT HSG. |
| 701 | WW02A00087 | ENCLOSED SCREW GROMMET |
| 703 | WW02A00105 | SCREW WHEEL MOUNTING |
| 704 | WW02A00099 | SCREW # 10 |
| 705 | WW02A00028 | TORNILLO |
| 706 | WW02A00031 | TORNILLO |
| 707 | WW02A00097 | SCREW |
| 708 | WW02A00098 | SCREW |
| 708 | WW01A00539 | SCREW |
| 710 | WW02A00100 | SCREW #8 FOR DOOR HINGE CAP |
| 711 | WW02A00101 | TORNILLO |

Distribuidor Autorizado

SurteRápido.com

Venta de Refacciones
Electrodomesticas

SECADORA PFMS450GL0WW

| Guía | Refacción | Descripción |
|------|------------|--------------------------|
| 712 | WW02A00029 | TORNILLO |
| 712 | WW02A00211 | TORNILLO |
| 713 | WW02A00074 | 3/16 HEX FEMAL SCREW |
| 714 | WW02A00071 | TORNILLO |
| 715 | WW02A00070 | TORNILLO |
| 716 | WW02A00032 | TORNILLO |
| 717 | WW02A00030 | TORNILLO |
| 717 | WW02A00211 | TORNILLO |
| 719 | WW02A00106 | SCREWS |
| 719 | WW02A00229 | SCREWS |
| 720 | WW02A00096 | SCREW |
| 723 | WW03A00145 | TORNILLO HI/LO 8-18 |
| 726 | WW02A00027 | SCREW |
| 727 | WW02A00061 | TIE WRAP ARNESS |
| 727 | WW02F00402 | TIE WRAP ARNESS |
| 728 | WW02A00114 | TUERCAS |
| 729 | WW03A00146 | ARANDELAS |
| 731 | WW03A00147 | CALZA |
| 732 | WW03A00092 | TORNILLO 6-16 B B1Q1 3/4 |