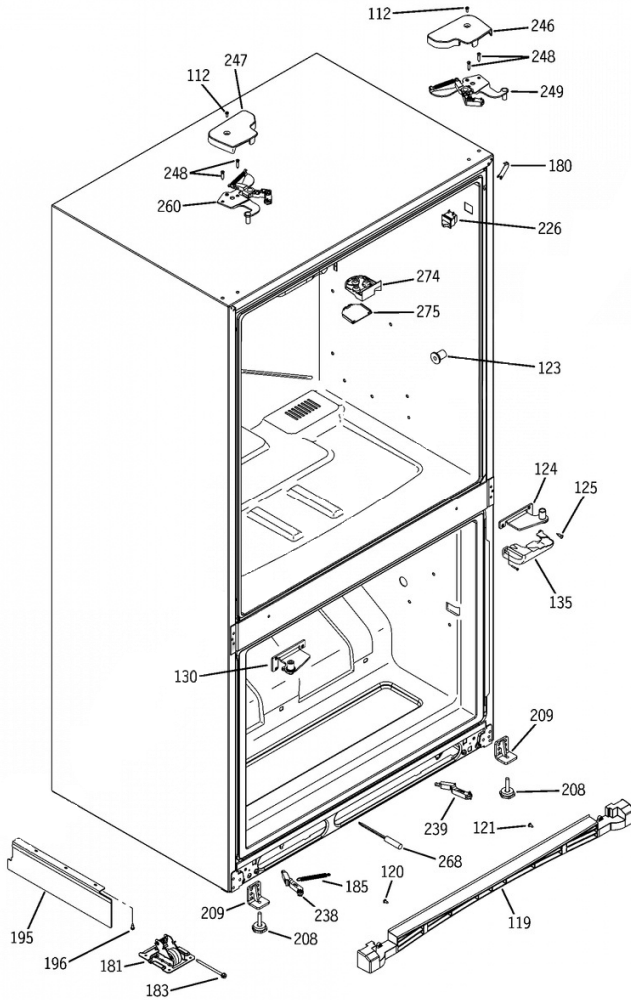


PFSF5NFWABB CASE PARTS





PFSF5NFWABB CASE PARTS

11	WR78X11928	DOOR FOAM ASM FZ BOWED (S/P)
11	WR78X12008	DOOR FOAM ASM FZ BOWED (S/P)
12	WR14X10232	GASKET (S/P)
12	WR14X10213	GASKET (S/P)
13	WR12X10859	HANDLE FZ ASM (S/P)
13	WR12X10846	HANDLE FZ ASM (S/P)
14	WR01X10680	FASTENER HANDLE SS (S/P)
15	WR02X12361	CAM CLOSURE FZ RH (S/P)
15	WR02X12408	CAM CLOSURE FZ RH (S/P)
16	WR02X12409	CAM CLOSURE FZ LH (S/P)
16	WR02X12362	CAM CLOSURE FZ LH (S/P)
17	WR01X10611	SCR 10-16 (S/P)
18	WR02X12356	CONNECTOR DOOR (S/P)
19	WR02X12357	CONNECTOR DOOR (S/P)
20	WR01X10682	SCR 1/4-10 PL HXW 3/4 S (S/P)
27	WR17X12249	SLIDE ASM RH (S/P)
28	WR17X12250	SLIDE ASM LH (S/P)
29	WR21X10218	BASKET HOLDER LH (S/P)
30	WR21X10145	BASKET LOWER FZ (S/P)
32	WR78X12007	DOOR FOAM ASM FR BW RH (S/P)
32	WR78X12010	DOOR FOAM ASM FR BW RH (S/P)
33	WR78X12009	DOOR FOAM ASM FR BW LH (S/P)
33	WR78X12006	DOOR FOAM ASM FR BW LH (S/P)
35	WR14X10238	GASKET FF (S/P)
35	WR14X10237	GASKET FF (S/P)
36	WR12X10860	HANDLE FF ASM (S/P)
36	WR12X10847	HANDLE FF ASM (S/P)
37	WR01X10681	FASTENER HANDLE SS (S/P)
38	WR02X12407	STOP DOOR BM (S/P)
38	WR02X12410	STOP DOOR BM (S/P)
39	WR04X10161	LENS NAME PLATE (S/P)
40	WR02X10582	SNUGGER MODULE (S/P)
41	WR02X12363	THIMBLE DOOR FF (S/P)

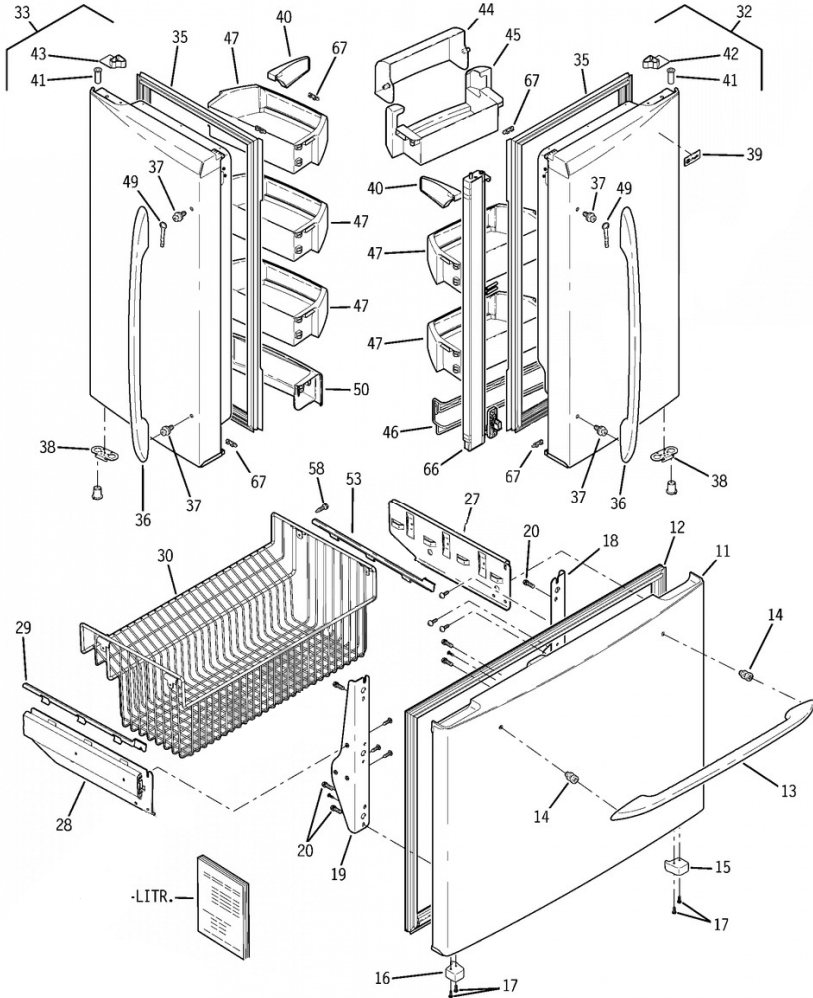
41	WR02X12411	THIMBLE DOOR FF (S/P)
42	WR02X12412	CAM FF CLOSURE RH (S/P)
42	WR02X12359	CAM FF CLOSURE RH (S/P)
43	WR02X12360	CAM FF CLOSURE LH (S/P)
43	WR02X12413	CAM FF CLOSURE LH (S/P)
44	WR71X10738	COMPARTMENT DAIRY (S/P)
45	WR02X12364	DOOR DAIRY CLEAR (S/P)
46	WR17X12271	BEVERAGE RACK (S/P)
47	WR71X10869	MODULE SHELF FF ASM (S/P)
49	WR02X12022	LEVER LOCK HANDLE (S/P)
50	WR71X10743	MODULE SHELF FF FIXED (S/P)
53	WR21X10219	BASKET HOLDER (S/P)
58	WR01X10683	SCR 12-24 TT HXT20 .90 S (S/P)
58	WR01X10690	SCR 12-24 TT HXT20 .90 S (S/P)
66	WR17X12753	ARTICULATION MULLION ASM (S/P)
66	WR17X12759	ARTICULATION MULLION ASM (S/P)
67	WR02X12469	BUMPER FRENCH DOOR (S/P)
67	WR02X12473	BUMPER FRENCH DOOR (S/P)

Distribuidor Autorizado

SurteRápido.com

Venta de Refacciones
Electrodomesticas

PFSF5NFWABB DOORS





PFSF5NFWABB DOORS

186	WR17X12251	COVER EVAP (S/P)
187	WR14X10220	FOAM PAD COVER EVAP (S/P)
188	WR14X10221	FOAM STRIP SE ADH (S/P)
189	WR14X10222	FOAM STRIP SE ADH (S/P)
190	WR17X12252	GROMMET EVAP FAN (S/P)
191	WR17X12253	INSULATION COVER EVAP (S/P)
192	WR14X10224	FOAMPAD COVER LOWER EVAP (S/P)
197	WR01X10685	SCR 8-18 AB IHW (S/P)
199	WR17X12254	COVER EVAP FAN (S/P)
200	WR14X10225	FOAM PAD COVER EVAP (S/P)
201	WR14X10226	HOLDER FOAM PAD (S/P)
202	WR17X12255	FZ LIGHT SHIELD (S/P)
204	WR14X10223	FOAM STRIP SE ADH (S/P)
207	WR2X8474	GROMMET WATER FILL (S/P)
211	WR17X12258	TUBE IM FILL (S/P)
212	WR17X12259	PLATE GROUNDING (S/P)
213	WR51X10093	HEATER FILL TUBE ASM (S/P)
214	WR01X10212	NUT 8-32 (S/P)
223	WR02X10668	SHUNT SENSOR (S/P)
224	WR02X10647	GRILLE SENSOR (S/P)
225	WR23X10286	SWITCH LIGHT (S/P)
227	WR02X12289	LAMP (S/P)
228	WR85X10087	LOW SIDE ASM (S/P)
230	WR02X12386	REFLECTOR LAMP FZ (S/P)
231	WR23X10536	HARNESS FZ LT (S/P)
232	WR02X9391	SOCKET & TERMINAL ASM (S/P)
233	WD02X0323	SCR 8-32 X 3/8 SPH (S/P)
234	WR14X10236	GASKET FZ LIGHT (S/P)
243	WR01X10626	SCR 8-18 AB HXW 5/4 S (S/P)
252	WR60X10208	BLADE EVAP FAN ASM (S/P)
253	WR02X10322	CAP DUST (S/P)
254	WR02X12008	GROMMET EVAP FAN (S/P)
255	WR17X12269	BRACKET EVAP FAN FRT (S/P)

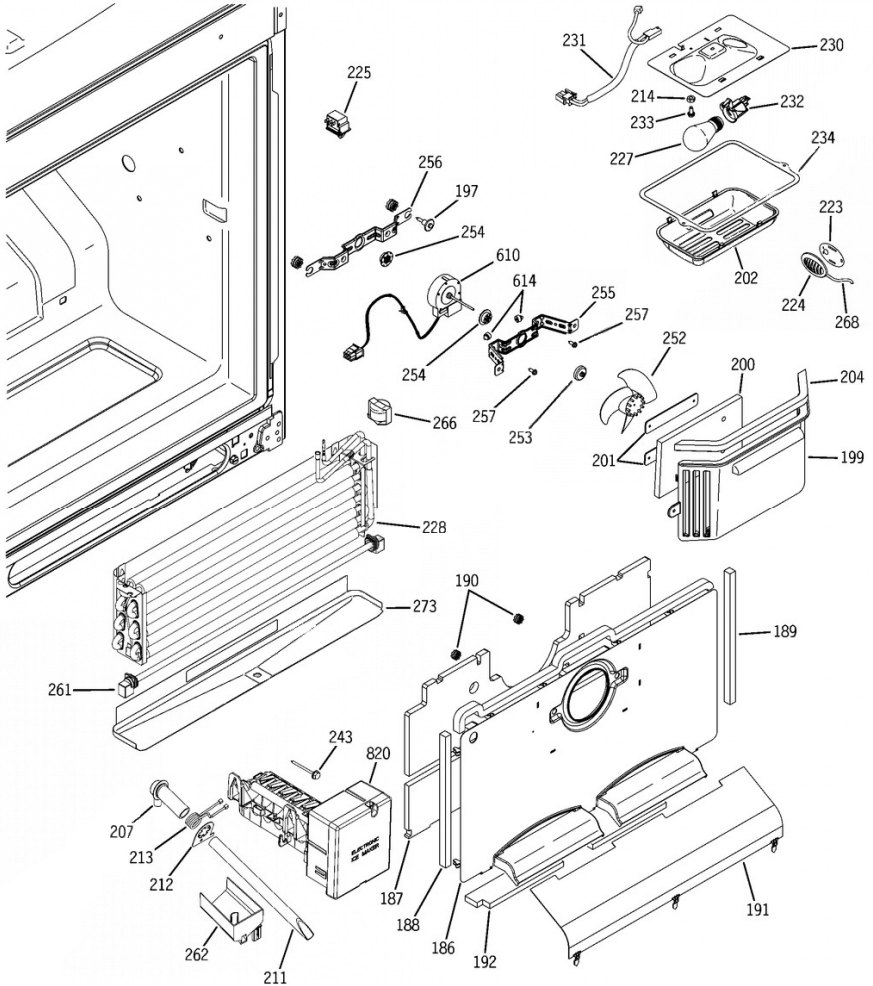
256	WR17X12270	BRACKET EVAP FAN REAR (S/P)
257	WR01X10620	SCR 10-32 (S/P)
261	WR51X10094	HEATER DEF ASM (S/P)
262	WR29X10064	CUP FILL IM (S/P)
266	WR50X10069	THERMOSTAT DEF (S/P)
268	WR55X10025	SENSOR TEMPERATURE
273	WR17X12303	TUBE DRAIN TROUGH (S/P)
610	WR60X10154	MOTOR EVAP DC
614	WR02X10540	BUMPER LID (S/P)
820	WR30X10087	ICEMAKER ASM (S/P)

Distribuidor Autorizado

SurteRápido.com

Venta de Refacciones
Electrodomesticas

PFSF5NFWABB FREEZER SECTION

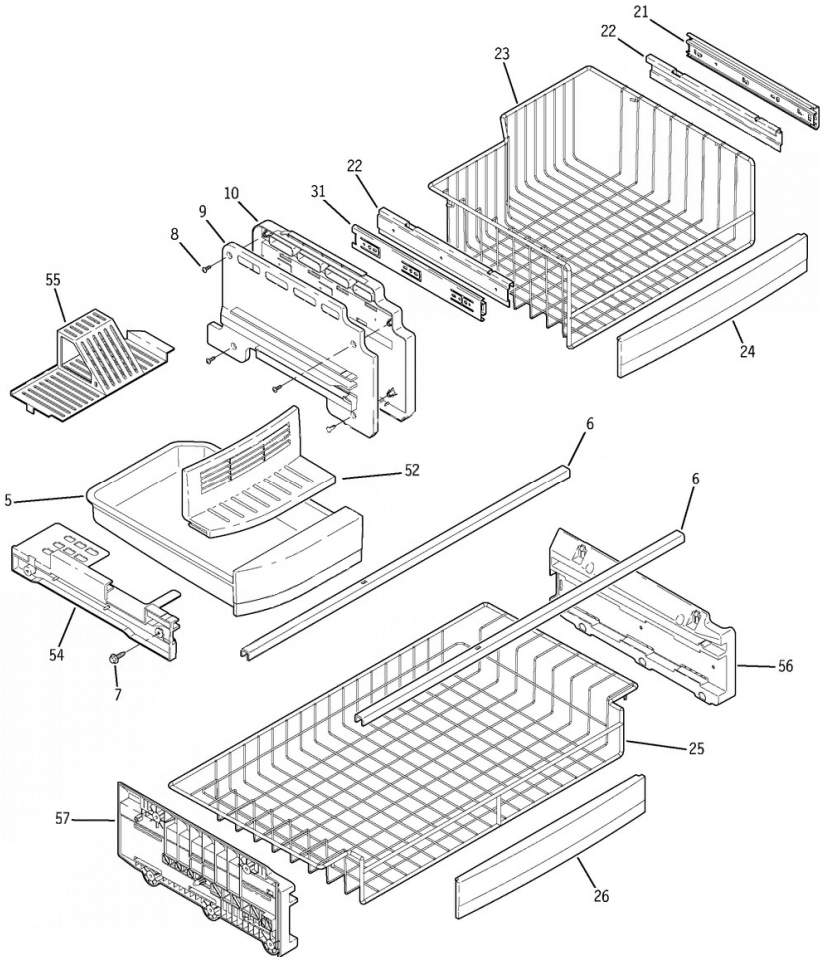




PFSF5NFWABB FREEZER SECTION

5	WR30X10088	BUCKET ICE (S/P)
6	WR02X12366	BEAM SUPPORT (S/P)
7	WR01X10606	SCR 8-18 AB HXW 1/2 S (S/P)
8	WR01X10607	SCR 8-18 AB PHR 1/2 S (S/P)
9	WR02X12418	DIVIDER GUIDE RAIL LH (S/P)
10	WR02X12417	DIVIDER GUIDE RAIL RH (S/P)
21	WR72X10070	SLIDE LINER (S/P)
22	WR72X10275	BRACKET UPPER (S/P)
23	WR21X10198	BASKET UPPER FZ (S/P)
23	WR21X10146	BASKET ASM UPPER 25FT (S/P)
24	WR12X10849	HANDLE BASKET FZ (S/P)
25	WR21X10147	BASKET ASM MIDDLE 25FT (S/P)
25	WR21X10144	BASKET MIDDLE FZ (S/P)
26	WR12X10850	HANDLE BASKET FZ (S/P)
31	WR72X10276	BRACKET UPPER (S/P)
52	WR17X12312	SHELF CHILLER 25 (S/P)
54	WR72X10228	GLIDE LH (S/P)
55	WR17X12279	COVER BUCKET ICE (S/P)
56	WR02X12374	RAIL HOLDER RH (S/P)
57	WR02X12375	RAIL HOLDER LH (S/P)

PFSF5NFWABB FREEZER SHELVES

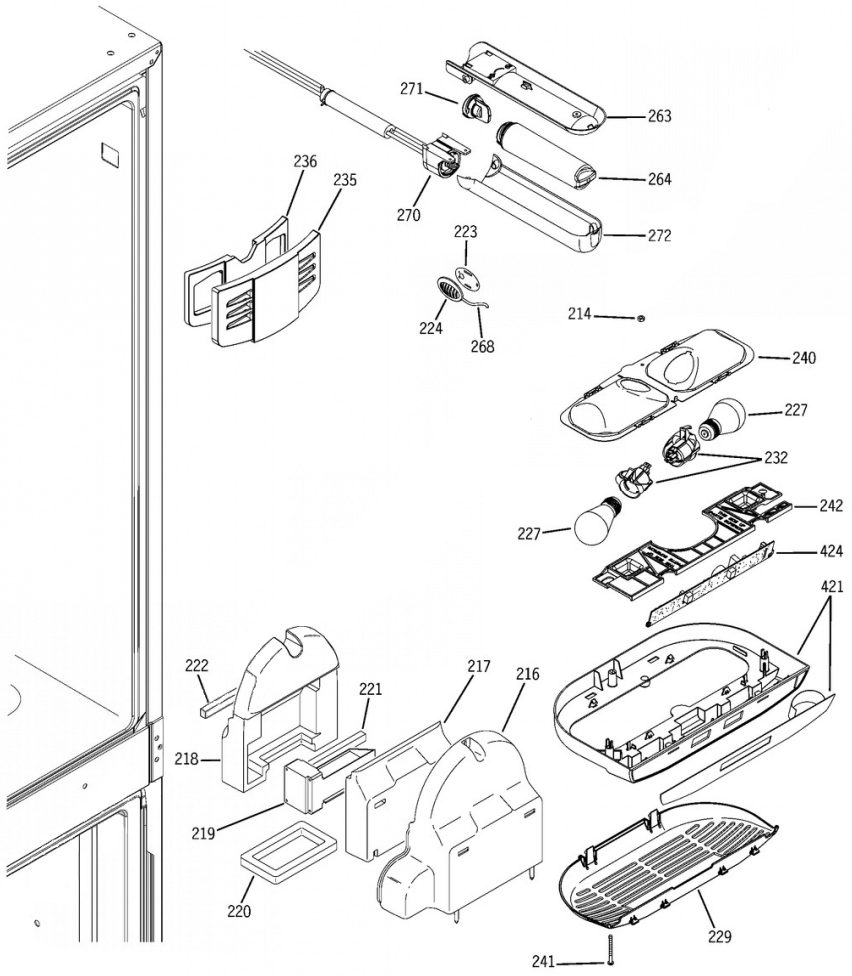




PFSF5NFWABB FREEZER SHELVES

214	WR01X10212	NUT 8-32 (S/P)
216	WR17X12260	COVER AIR TOWER FF (S/P)
217	WR17X12261	EPS AIR TOWER FF (S/P)
218	WR17X12262	EPS AIR TOWER BACK (S/P)
219	WR17X12456	DAMPER ASM MOTORIZED (S/P)
220	WR14X10227	GASKET FF INLET (S/P)
221	WR14X10228	GASKET TOWER FF (S/P)
222	WR14X10229	GASKET TOWER FF (S/P)
223	WR02X10668	SHUNT SENSOR (S/P)
224	WR02X10647	GRILLE SENSOR (S/P)
227	WR02X12289	LAMP (S/P)
229	WR17X12264	SHEILD LIGHT FF (S/P)
232	WR02X9391	SOCKET & TERMINAL ASM (S/P)
235	WR17X12265	VENT DUCT VERTICAL (S/P)
236	WR17X12266	EPS VENT DUCT VERTICAL (S/P)
240	WR02X12387	REFLECTOR FF (S/P)
241	WR01X1792	SCREW (S/P)
242	WR32X10612	COVER TOP (S/P)
263	WR17X12300	COVER FILTER UP (S/P)
264	GSWF	WATER FILTER CATRIDGE (S/P)
268	WR55X10025	SENSOR TEMPERATURE
270	WR17X12301	FILTER AND TUBE ASM (S/P)
271	WR02X11613	CAP FILTER BYPASS (S/P)
272	WR17X12299	COVER FILTER LOWER ASM (S/P)
421	WR55X10689	CONTROL CUSTOMER ASM (S/P)
424	WR55X10684	BOARD ASM TEMP CONTROL (S/P)

PFSF5NFWABB FRESH FOOD SECTION





PFSF5NFWABB FRESH FOOD SECTION

2	WR02X12365	BRACKET (S/P)
3	WR72X10215	SLIDE PAN (S/P)
4	WR17X12240	SPACER (S/P)
51	WR72X10219	SLIDE LINER (S/P)
81	WR32X10613	COVER BOTTOM VEG PAN (S/P)
82	WR17X12243	BAR REINFORCEMENT (S/P)
83	WR72X10225	METAL SLIDE ASM (S/P)
84	WR72X10226	METAL SLIDE ASM (S/P)
85	WR17X12241	SLIDE CONTROL VP RH (S/P)
86	WR17X12244	SLIDE CONTROL VP LH (S/P)
87	WR14X10214	GASKET PAN CVR FRONT (S/P)
88	WR01X10221	SCR 8-10 PL PNP 1/2 S (S/P)
89	WR14X10215	GASKET PAN VEG FRAME (S/P)
90	WR32X10614	COVER TOP VEG PAN (S/P)
91	WR09X10156	DAMPER VP (S/P)
92	WR09X10157	DAMPER VP (S/P)
94	WR72X10224	FRAME PAN MEAT (S/P)
95	WR02X12419	LINKAGE BAR MEAT PAN 25 (S/P)
96	WR17X12245	SLIDE CONTROL MEAT PAN (S/P)
97	WR32X10615	SHELF CANT GLASS (S/P)
98	WR17X12246	DAMPER MEAT PAN (S/P)
99	WR14X10217	GASKET FRAME MEAT SIDE (S/P)
100	WR14X10218	GASKET FRAME MEAT SIDE (S/P)
102	WR02X12373	SUPPORT VEG PAN ASM (S/P)
103	WR32X10616	PAN VEG REAR RH (S/P)
104	WR32X10607	PAN VEG FRONT RH (S/P)
105	WR17X12272	HANDLE PAN VEG RH (S/P)
106	WR72X10222	SLIDE PAN ASM (S/P)
107	WR72X10223	SLIDE PAN ASM (S/P)
108	WR32X10617	PAN VEG REAR LH (S/P)
109	WR32X10609	PAN VEG FRONT LH (S/P)
110	WR17X12273	HANDLE PAN VEG LH (S/P)
113	WR71X10746	SHELF ASM SLIDEOUT (S/P)

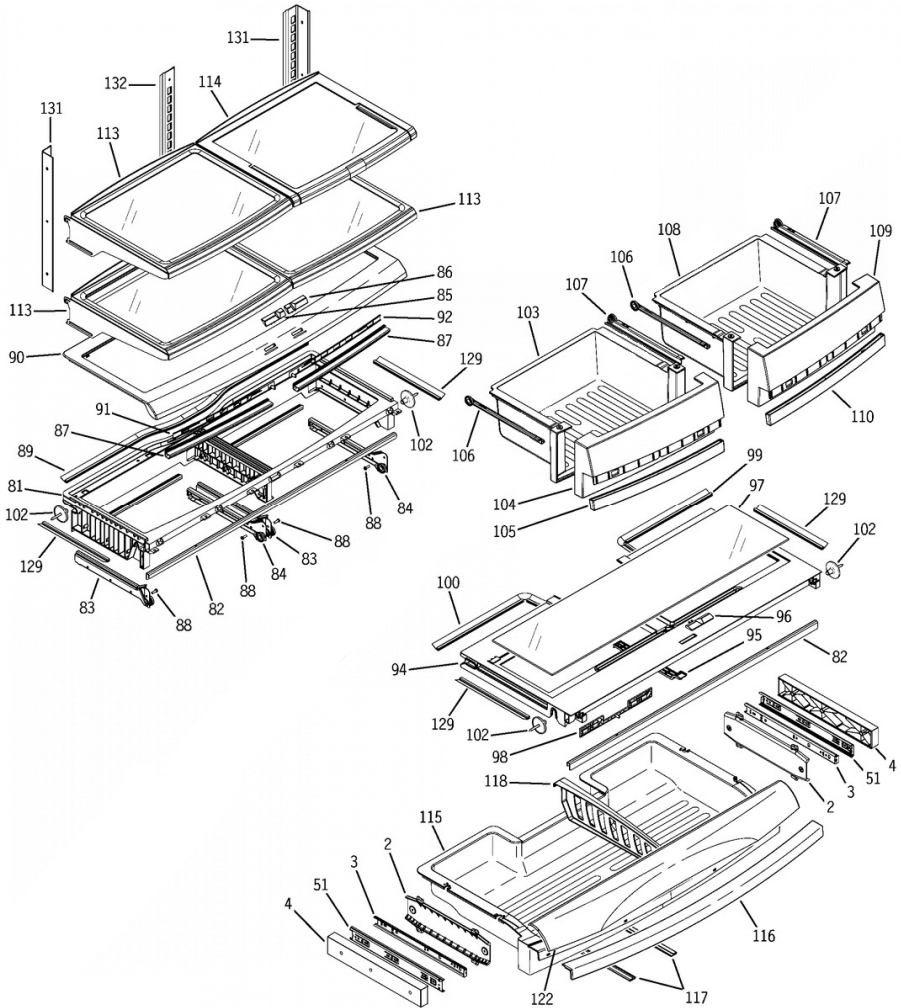
114	WR71X10747	SHELF ASM TUCKAWAY (S/P)
115	WR32X10618	PAN MEAT (S/P)
116	WR17X12256	HANDLE PAN MEAT (S/P)
117	WR38X10399	TRIM BOTTOM PAN MEAT (S/P)
118	WR02X12420	DIVIDER PAN (S/P)
122	WR17X12257	COVER FLIP LID (S/P)
129	WR14X10234	GASKET PAN VEG FRAME (S/P)
131	WR72X10236	TRACK SIDE FF (S/P)
132	WR72X10235	TRACK CENTER FF (S/P)

Distribuidor Autorizado

SurteRápido.com

Venta de Refacciones
Electrodomesticas

PFSF5NFWABB FRESH FOOD SHELVES





PFSF5NFWABB FRESH FOOD SHELVES

112	WR01X10379	SCREW HINGE COVER (S/P)
119	WR02X12380	GRILLE BASE COVER (S/P)
119	WR02X12414	GRILLE BASE COVER (S/P)
120	WR01X10613	SCR 8-18 AB PNT20 7/16 S (S/P)
121	WR01X10629	SCR 8-18 AB HW 1/2 S (S/P)
123	WR02X12187	SUPPORT SHELF (S/P)
124	WR13X10432	CENTER HINGE ASM RH (S/P)
124	WR13X10430	CENTER HINGE ASM RH (S/P)
125	WR01X10687	SCR 1/4-20 GX RT 3/4 S (S/P)
130	WR13X10431	CENTER HINGE ASM ADJ LH (S/P)
130	WR13X10433	CENTER HINGE ASM ADJ LH (S/P)
135	WR02X12589	COVER HINGE (S/P)
135	WR02X12590	COVER HINGE (S/P)
180	WR02X10640	CAP CORNER OC WH (S/P)
180	WR02X10781	CAP CORNER OC BK (S/P)
181	WR02X12274	MOBILITY FRONT ASM (S/P)
183	WR01X10609	SCREW MOBILITY (S/P)
185	WR01X2027	SPRING CLOSURE (S/P)
195	WR17X12274	SEPARATOR AIR HISIDE (S/P)
196	WR01X10588	SCR 8-18 AB IHXW 9/16 S (S/P)
208	WR01X10686	SCREW LEVELING (S/P)
209	WR02X12378	BRACKET LEG ASM (S/P)
226	WR23X10143	SWITCHLIGHT (S/P)
238	WR11X10016	LEVER ARM FZ CLOSURE ASM (S/P)
238	WR11X10018	LEVER ARM FZ CLOSURE ASM (S/P)
239	WR11X10019	LEVER ARM FZ CLOSURE ASM (S/P)
239	WR11X10017	LEVER ARM FZ CLOSURE ASM (S/P)
246	WR02X12415	COVER HINGE TOP RH (S/P)
246	WR02X12388	COVER HINGE TOP RH (S/P)
247	WR02X12389	COVER HINGE TOP LH (S/P)
247	WR02X12416	COVER HINGE TOP LH (S/P)
248	WR01X10195	SCR 12-24 CA HX 7/8 S (S/P)
249	WR13X10427	HINGE CLOSURE ASM (S/P)

249	WR13X10434	HINGE CLOSURE ASM (S/P)
260	WR13X10435	HINGE CLOSURE ASM (S/P)
260	WR13X10429	HINGE CLOSURE ASM (S/P)
268	WR55X10025	SENSOR TEMPERATURE
274	WR02X12685	STRIKER TOP MULLION (S/P)
275	WR02X12684	COVER TOP STRIKER (S/P)



PFSF5NFWABB MACHINE COMPARTMENT

175	WR01X10035	SCR 8-18 AB IHW 5/8 S (S/P)
182	WR01X10622	SCR 10-32 B IHXW 1/2 (S/P)
193	WR02X11426	TUBE DRAIN (S/P)
194	WR01X10684	CLAMP CABLE (S/P)
203	WR23X10535	HARNESS GROUND (S/P)
206	WR02X12377	CLIP DRAIN TUBE (S/P)
215	WR02X10663	STAND OFF (S/P)
312	WR02X10695	WHEEL MOBILITY REAR (S/P)
614	WR02X10540	BUMPER LID (S/P)
616	WR82X10109	COVER ACCESS (S/P)
618	WR02X11331	GROMMET EVAP FAN (S/P)
626	WR23X10540	CORD POWER ASM (S/P)
628	WR17X12713	SHROUD CONDENSER (S/P)
650	WR60X10209	MOTOR DC COND FAN (S/P)
651	WR60X10206	BLADE CONF FAN ASM (S/P)
652	WR02X12149	RING COMPRESSION (S/P)
683	WR02X11607	WIRE TIE (S/P)
684	WR01X10602	SCR 8-32 AB IHWS 3/8 S (S/P)
686	WR01X10252	SCR 10-32 TT HXW 5/16 S (S/P)
690	WR01X10645	SCR 8-32 T HXW 3/8 S (S/P)
691	WR02X10593	BRACKET COND FAN (REAR) (S/P)
725	WR87X10111	INVERTER COMPRESSOR EMB (S/P)
730	WR84X10022	COND REPL ASM (S/P)
736	WR02X8203	CLIP COMPRESSOR MOUNT (S/P)
737	WR02X10099	GROMMET (S/P)
740	WR86X0096	DRYER BIFURCATED XH9 (S/P)
741	WR01X1779	STUD MTG COMPR (S/P)
742	WR02X10587	SUPPORT CONDENSER DESCONTINUADO
743	WR02X10588	SUPPORT CONDENSER DESCONTINUADO
749	WR17X11978	BAFFLE COND AIR (S/P)
753	WR02X11863	BRKT COND FAN (MTG) (S/P)
764	WR02X9000	CLIP, COND MNT (S/P)
765	WR17X10763	BRACKET CONDENSER BAR (S/P)

775	WR17X10796	COVER WATER LINE (S/P)
800	WR57X10048	VALVE AND TUBE ASM (S/P)
801	WR55X10956	BOARD ASM MAIN CONTROL (S/P)
803	WR02X12005	MAIN BOARD ENCLOSURE ASM (S/P)
871	WR55X10490	INVERTER ASM COMP MOUNT (S/P)