

Distribuidor Autorizado

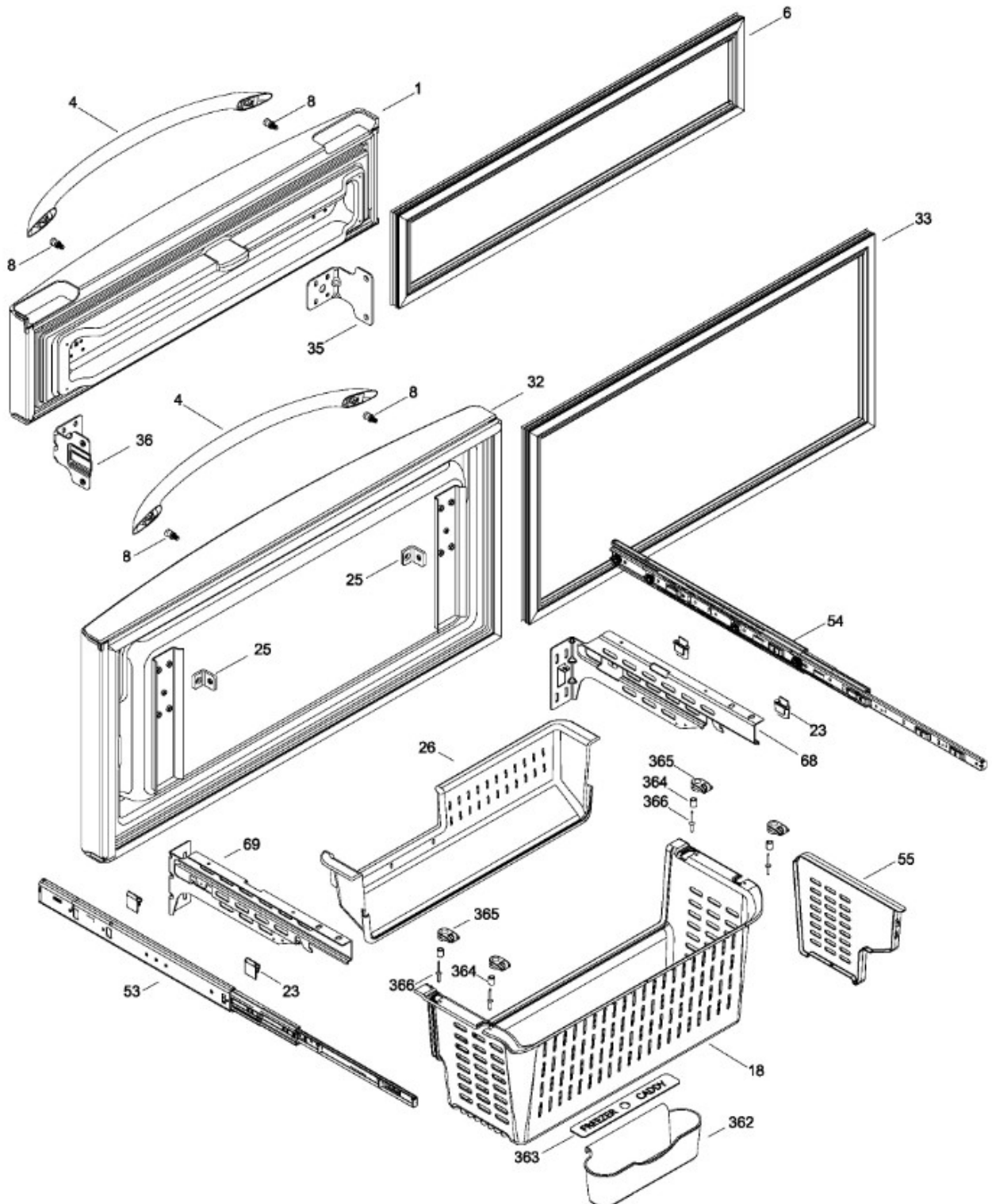
SurteRápido.com

Venta de Refacciones
Electrodomesticas

REFRIGERADOR PGMS5PJZJ SS

PUERTA CONGELADOR
FREEZER DOOR

PGMS5PJZJ SS



Distribuidor Autorizado

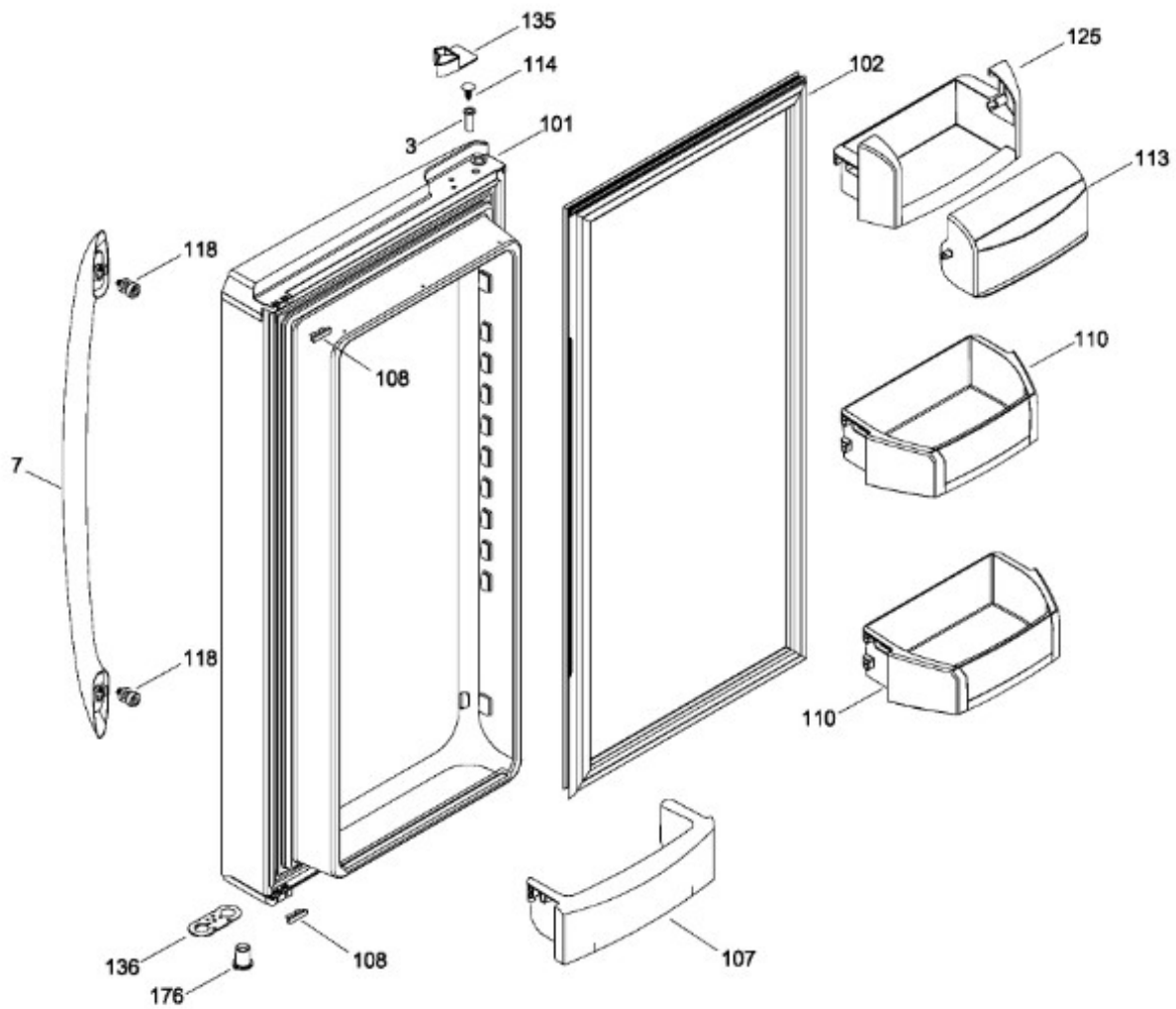
SurteRápido.com

Venta de Refacciones
Electrodomesticas

REFRIGERADOR PGMS5PJZJ SS

PUERTA ENFRIADOR IZQUIERDA
FRESH FOOD DOOR LEFT

PGMS5PJZJ SS



Distribuidor Autorizado

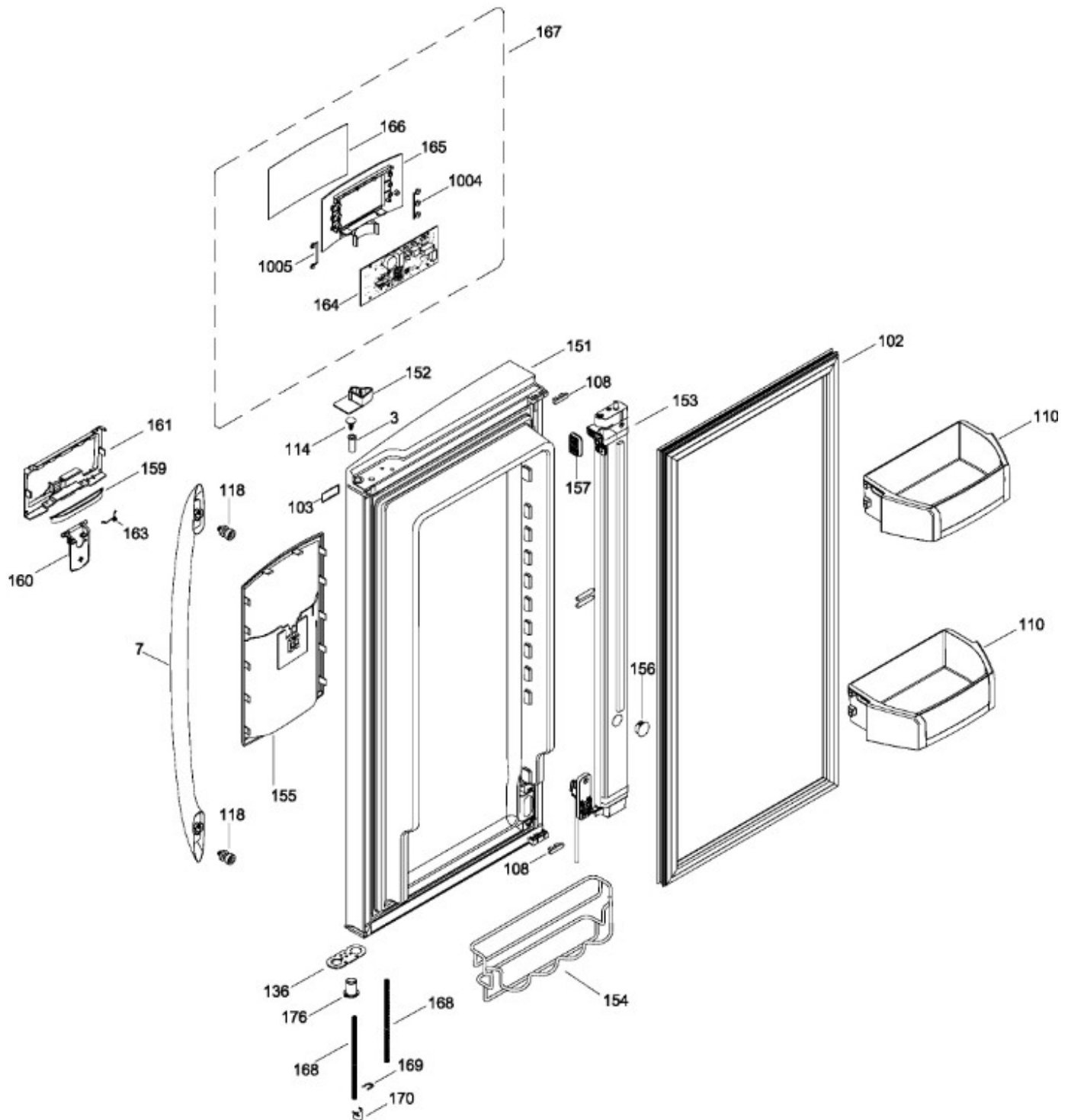
SurteRápido.com

Venta de Refacciones
Electrodomesticas

REFRIGERADOR PGMS5PJZJ SS

PUERTA ENFRIADOR DERECHA
FRESH FOOD DOOR RIGHT

PGMS5PJZJ SS



Distribuidor Autorizado

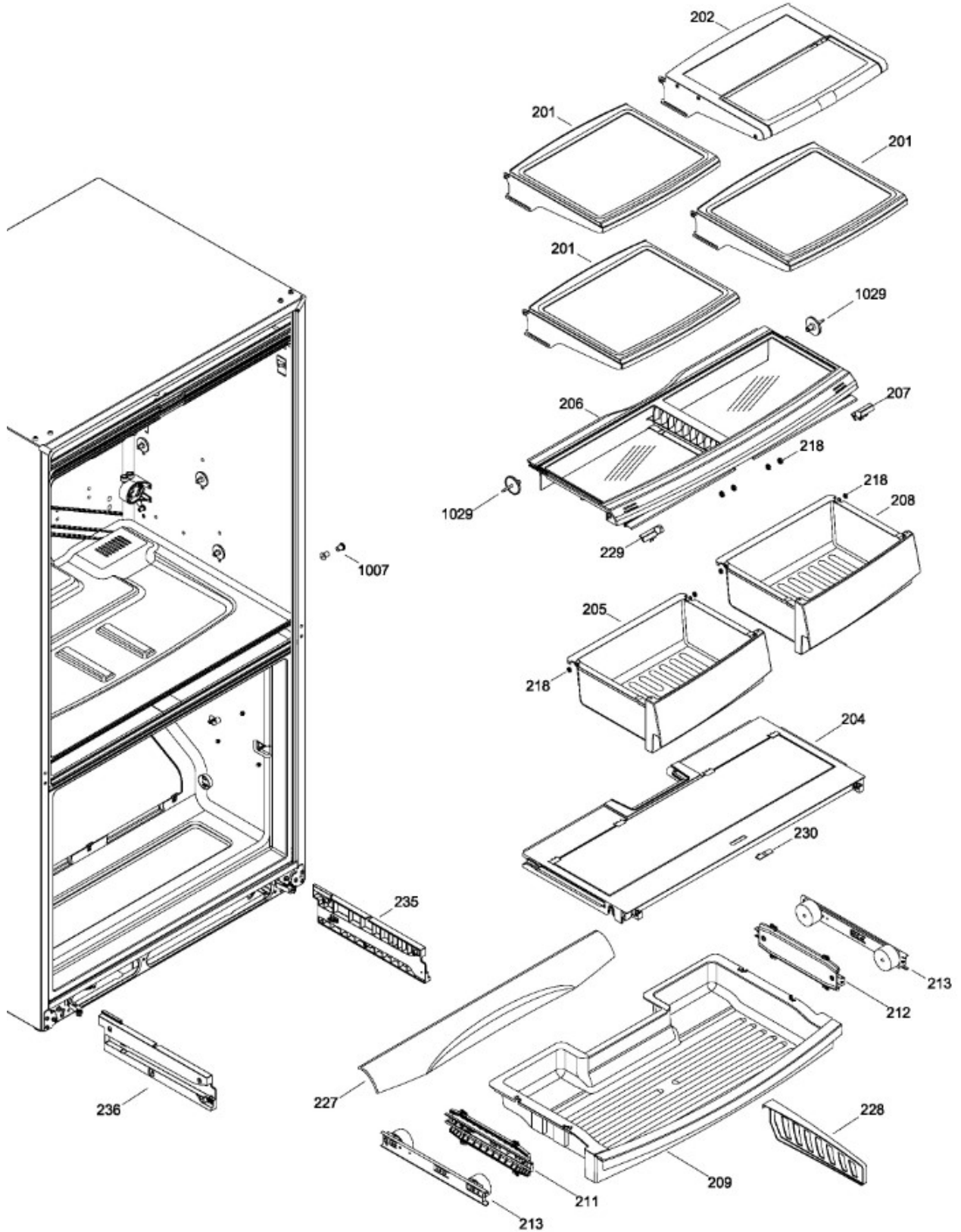
SurteRápido.com

Venta de Refacciones
Electrodomesticas

REFRIGERADOR PGMS5PJZJ SS

PARRILLAS DEL CONSERVADOR DE ALIMENTOS
FRESH FOOD SHELVES FF

PGMS5PJZJ SS



Distribuidor Autorizado

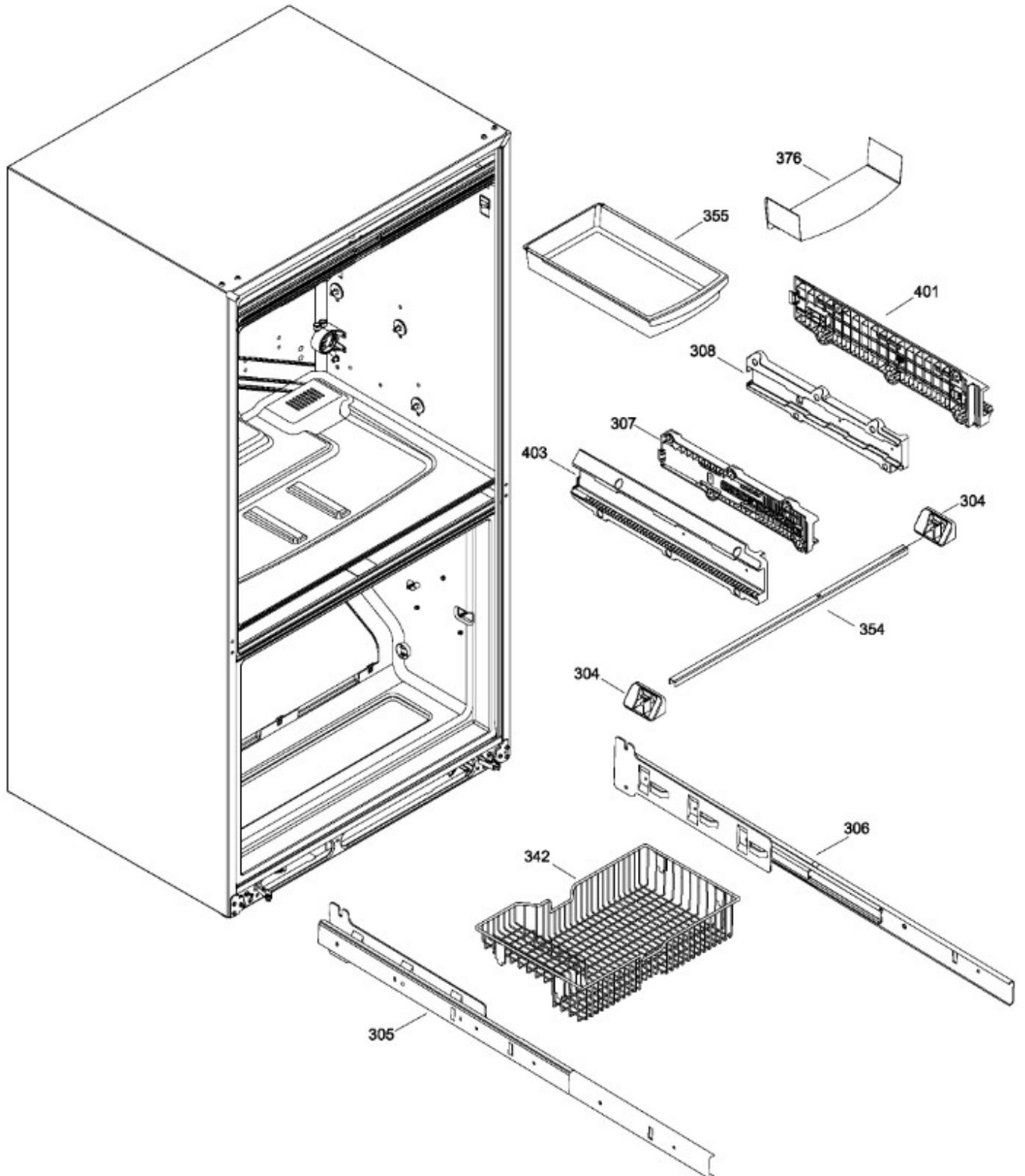
SurteRápido.com

Venta de Refacciones
Electrodomesticas

REFRIGERADOR PGMS5PJZJ SS

CANASTAS DEL CONGELADOR DE ALIMENTOS
FREEZER SECTION BASKETS

PGMS5PJZJ SS



Distribuidor Autorizado

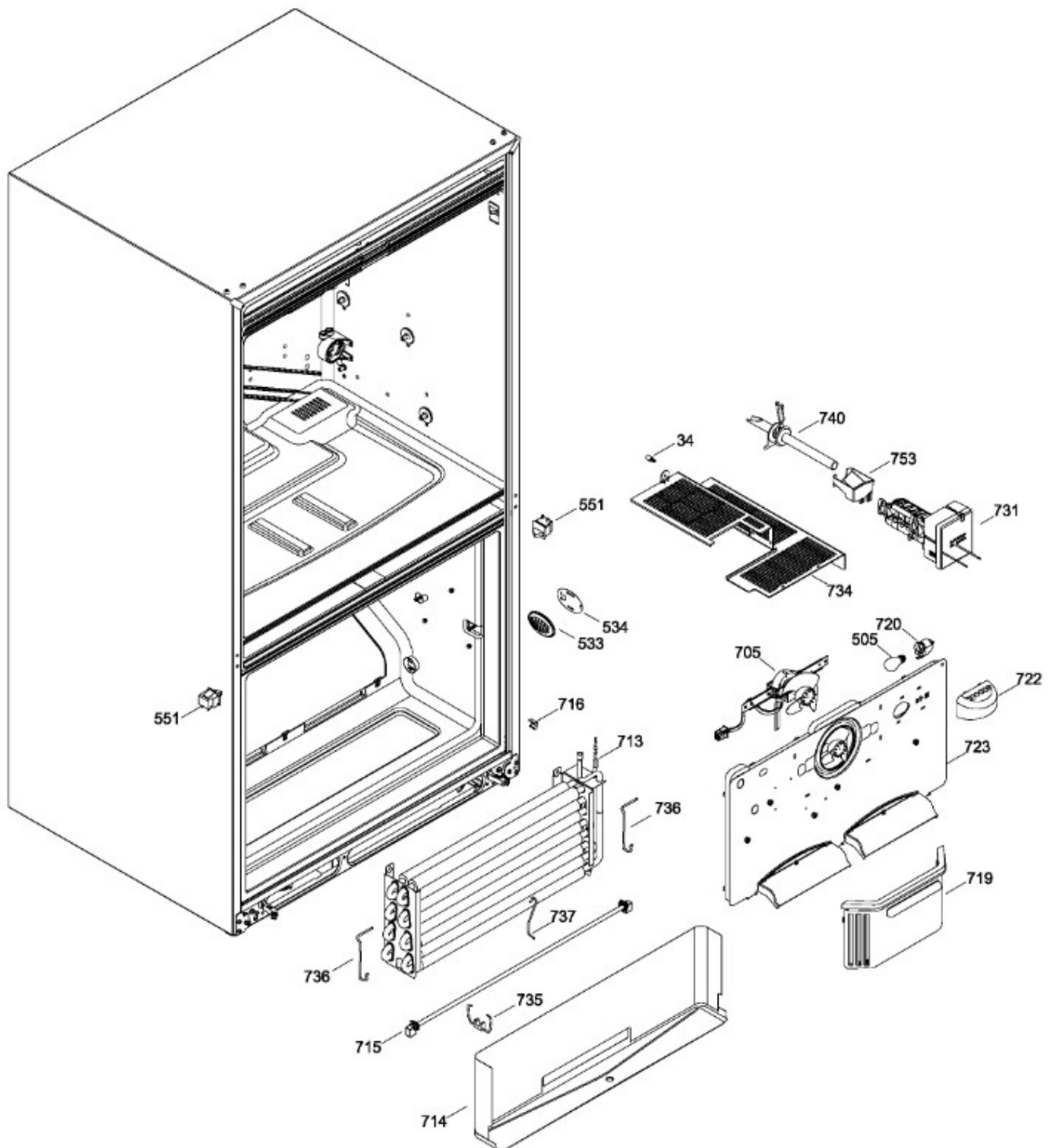
SurteRápido.com

Venta de Refacciones
Electrodomesticas

REFRIGERADOR PGMS5PJZJ SS

PARTES FUNCIONALES DEL CONGELADOR
FUNCTIONALS PARTS FZ

PGMS5PJZJ SS



Distribuidor Autorizado

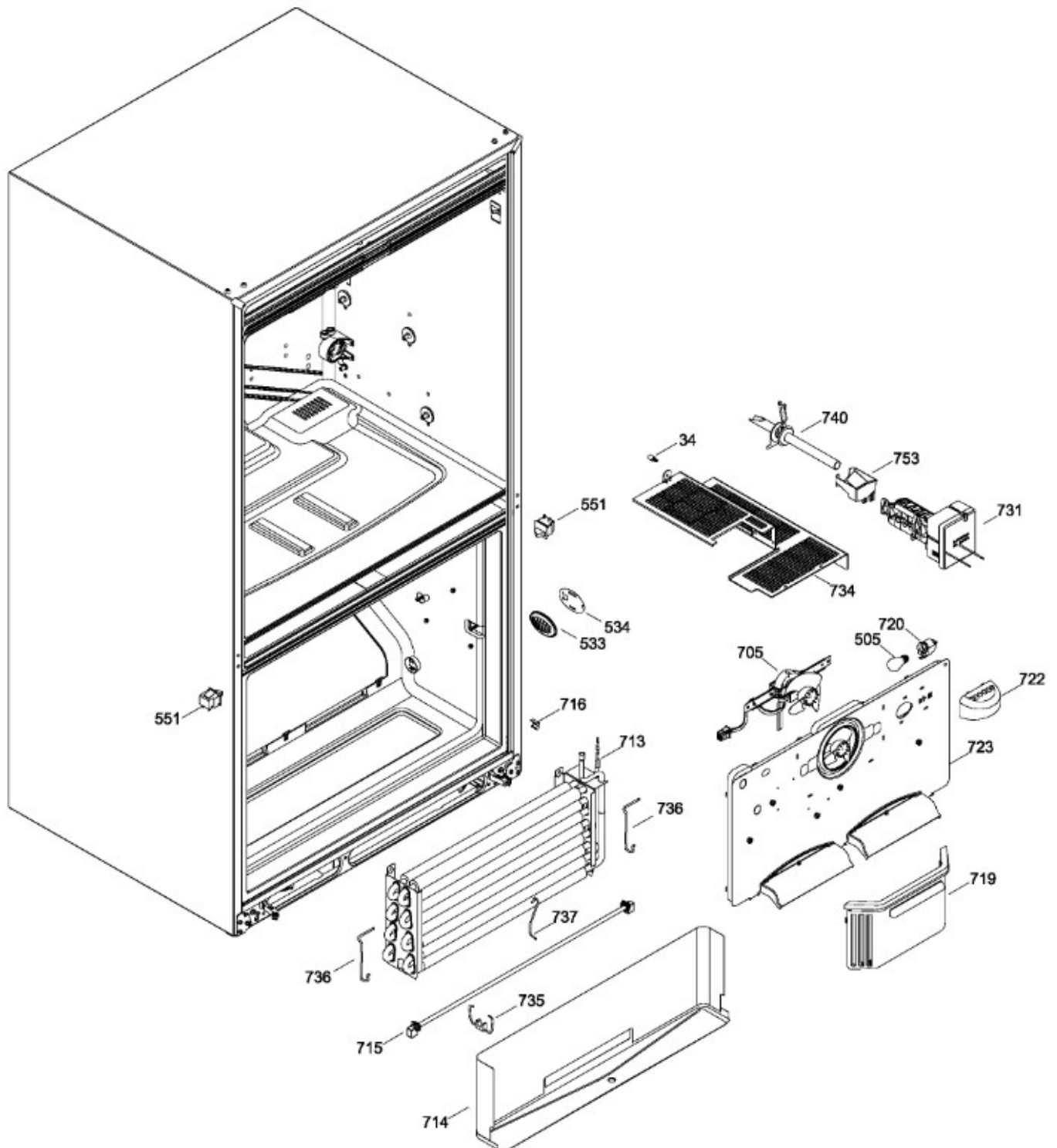
SurteRápido.com

Venta de Refacciones
Electrodomesticas

REFRIGERADOR PGMS5PJZJ SS

PARTES FUNCIONALES DEL CONGELADOR
FUNCTIONALS PARTS FZ

PGMS5PJZJ SS



Distribuidor Autorizado

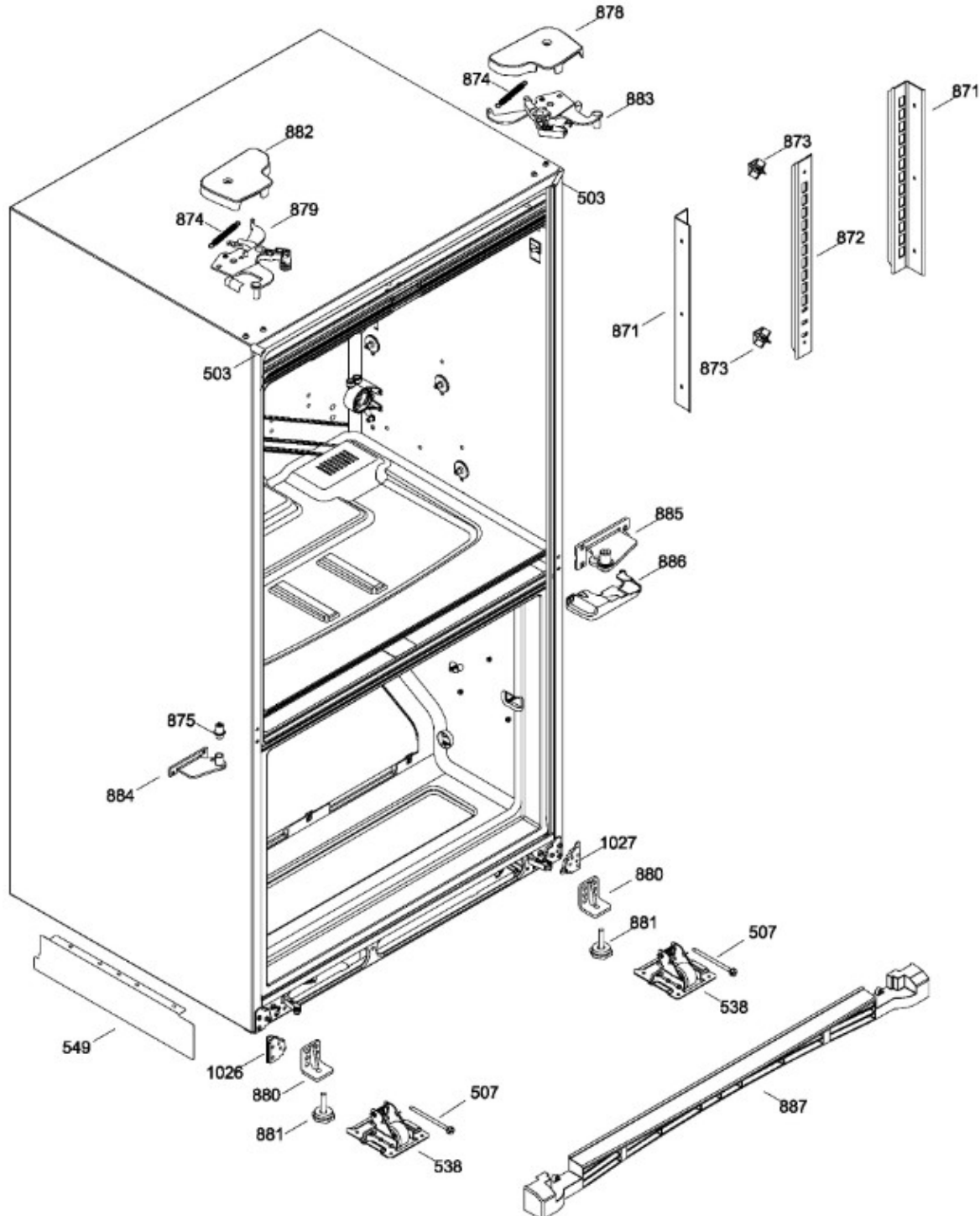
SurteRápido.com

Venta de Refacciones
Electrodomesticas

REFRIGERADOR PGMS5PJZJ SS

PARTES BISAGRAS DEL REFRIGERADOR
PARTS HINGE FRIGE

PGMS5PJZJ SS



Distribuidor Autorizado

SurteRápido.com

Venta de Refacciones
Electrodomesticas

REFRIGERADOR PGMS5PJZJ SS

| Guía | Refacción | Descripción |
|------|------------|---------------------------------------|
| 1 | WR01L01737 | DOOR FOAM ASM UPR FZ FLT |
| 3 | WR01A00985 | BUJE PUERTA |
| 4 | WR01L02325 | ENSAMBLE JALADERA CONGELADOR |
| 6 | WR01L02090 | GASKET |
| 7 | WR01L02318 | ENS. JALADERA REFR. |
| 8 | WR01A00257 | REMACHE JALADERA |
| 17 | WR01F01883 | UNION CONECTOR REG |
| 18 | WR01L00158 | CANASTO INF. |
| 23 | WR01A00763 | SLEEVE BRACKET |
| 25 | WR01A00124 | SOPORTE |
| 26 | WR01L00552 | CANASTO INF. |
| 32 | WR01L01735 | ENS. PUERTA INF. PLANA ESPUMADA CONG. |
| 33 | WR01L02093 | GASKET |
| 34 | WR01L04387 | SHOULDER BOLT |
| 35 | WR01A00130 | CONNECTOR DOOR UPPER LH |
| 36 | WR01A00131 | CONNECTOR DOOR UPPER RH |
| 53 | WR01L09054 | CORREDERA INFERIOR IZQUIERDA |
| 54 | WR01L09491 | ENS. DESLIZAMIENTO INFERIOR 25 DER. |
| 55 | WR01F00722 | DIVISOR CANASTO INF. |
| 68 | WR01A00120 | SOPORTE CORREDERA INF. |
| 69 | WR01A00122 | SOPORTE CORREDERA INF. |
| 101 | WR01L01449 | DOOR FOAM ASM FR BW LH |
| 102 | WR01L02134 | SELLO PUERTA FRANCESA |
| 103 | WR01L02772 | LENTE PLACA |
| 107 | WR01L02892 | MODULO ANAQUEL REFR. FIJO |
| 108 | WR01A00161 | AMORTIGUADOR PUERTA FRANCESA |
| 110 | WR01L02872 | ENS. ANAQUEL REFR. |
| 113 | WR01L01271 | PUERTA LACTEOS |
| 114 | WR01L04473 | TAPON ENCHUFE |
| 118 | WR01A00255 | P2ERNO JALADERA |
| 125 | WR01L00665 | MANTEQUILLERO |
| 135 | WR01L00497 | LEVA CIERRE PUERTA REFR. |
| 136 | WR01A00233 | TOPE PUERTA |
| 151 | WR01L01473 | ENS. PUERTA CURVA ESPUMADA REFR. |
| 152 | WR01L00507 | LEVA CIERRE PUERTA REFR. |

Distribuidor Autorizado

SurteRápido.com

Venta de Refacciones
Electrodomesticas

REFRIGERADOR PGMS5PJZJ SS

| Guía | Refacción | Descripción |
|------|------------|------------------------------|
| 153 | WR01A00020 | ENS. MANGUETE VERTICAL |
| 154 | WR01F00121 | ANAQUEL DE BEBIDAS |
| 155 | WR01L04517 | TRIM DISP AND BS PCB ASM |
| 156 | WR01A00524 | ENCHUFE MANGUETE |
| 157 | WR01A00199 | CLIP BISAGRA MANGUETE |
| 159 | WR01L02247 | RECESO PARRILLA |
| 160 | WR01A00434 | PALETA DISPENSADOR |
| 161 | WR01L04374 | PROTECTOR DEL DESPACHADOR |
| 163 | WR01A00586 | RESORTE TORSION |
| 164 | WR01F00265 | BOARD LCD COMBINED HMI |
| 165 | WR01A00089 | BRACKET DISPENSER |
| 166 | WR01F01655 | MEMBRANA CONTROL DISP. |
| 167 | WR01F01487 | INTERFACE DISPENSER ASM |
| 168 | WR01A00925 | RESORTE CONDUCTO AGUA |
| 169 | WR01A00198 | CLIP DE SEGURIDAD |
| 170 | WR01A00976 | SOPORTE LINEA AGUA |
| 176 | WR01A00990 | THIMBLE DOOR FF |
| 201 | WR01L04223 | ENS. ANAQUEL DESLIZABLE |
| 202 | WR01L04227 | ENS. PARRILLA PLEGABLE |
| 202 | WR01L04223 | ENS. PARRILLA PLEGABLE |
| 204 | WR01L02028 | ENS. MARCO CAJON CARNE |
| 205 | WR01L00448 | CAJON LEGUMBRES IZQUIERDO |
| 206 | WR01L00987 | CUBIERTA CAJON LEGUMBRES ENS |
| 207 | WR01F00500 | CONTROL DESLIZANTE |
| 208 | WR01L00438 | ENS. CAJON VEG. |
| 209 | WR01L03047 | ENS. CAJON CARNE |
| 211 | WR01A00773 | ENS. RIEL SOPORTE |
| 212 | WR01A00772 | ENS. RIEL SOPORTE |
| 213 | WR01A00897 | ENS. SEP. RIEL |
| 218 | WR01F01936 | RUEDA CORREDIZA |
| 227 | WR01L00814 | ENS. CUBIERTA CAPELO |
| 228 | WR01F00721 | DIVISOR CAJON |
| 229 | WR01F00501 | CONTROL DESLIZANTE |
| 230 | WR01A00802 | CONTROL CAJON CARNES |
| 235 | WR01L04400 | VIA LATERAL |

Distribuidor Autorizado

SurteRápido.com

Venta de Refacciones
Electrodomesticas

REFRIGERADOR PGMS5PJZJ SS

| Guía | Refacción | Descripción |
|------|------------|------------------------------|
| 236 | WR01L04399 | VIA LATERAL |
| 304 | WR01L04427 | BARRA SOPORTE |
| 305 | WR01L09057 | CORREDERA SUPERIOR DERECHA |
| 306 | WR01L09058 | CORREDERA SUPERIOR IZQUIERDA |
| 307 | WR01A00573 | RAIL HOLDER FZ UP LH 25 |
| 308 | WR01A00575 | RAIL HOLDER FZ UP RH 25 |
| 342 | WR01L00198 | BASKET UPPER FZ 25 |
| 354 | WR01A00043 | SOPORTE VIGA |
| 355 | WR01L00318 | CUBETA HIELOS |
| 362 | WR01L00177 | CESTA PIZZA |
| 363 | WR01L01918 | TRAMPA |
| 364 | WR01A00246 | ESPACIADOR |
| 365 | WR01F00135 | PERILLA CIERRE |
| 366 | WR01A00580 | REMACHE |
| 376 | WR01L00625 | CONDUCTO CAJON DE HIELOS |
| 401 | WR01A00567 | SOPORTE RIEL CONG. INF. |
| 403 | WR01A00571 | SOPORTE RIEL CONG. INF. |
| 413 | WR01L04392 | SOLENOIDE |
| 428 | WR01F00849 | SELLO GOMA |
| 503 | WR01L01087 | ESQUINERO GABINETE |
| 505 | WR01F03984 | FOCO 40W 120V |
| 507 | WR01A01054 | TORNILLO MOVIL |
| 509 | WR01F00796 | ENS. FILTRO Y TUBO |
| 509 | WR01F04718 | ENS. FILTRO Y TUBO |
| 510 | WR01A00958 | TOPE SUP. MANGUETE |
| 511 | WR01A01876 | FILTRO DE AGUA |
| 512 | WR01L00921 | CUBIERTA FILTRO AGUA |
| 512 | WR01L00923 | CUBIERTA FILTRO AGUA |
| 522 | WR01L00720 | CUBIERTA TORRE AIRE REFR. |
| 533 | WR01L04066 | REJILLA SENSOR |
| 534 | WR01L04393 | CUBIERTA SENSOR |
| 538 | WR01L02983 | ENS. MOVIL FRONTAL |
| 542 | WR01L02780 | CUBIERTA LUZ REFRIGERADOR |
| 549 | WR01F00012 | DIVISOR AIRE HS |
| 551 | WR01L04430 | INTERRUPTOR |

Distribuidor Autorizado

SurteRápido.com

Venta de Refacciones
Electrodomesticas

REFRIGERADOR PGMS5PJZJ SS

| Guía | Refacción | Descripción |
|------|------------|---------------------------------|
| 617 | WR01F01094 | AISLAMIENTO DE CABEZA DE FILTRO |
| 618 | WR01F00723 | TANQUE AGUA DOBLE BOBINA |
| 618 | WR01F00724 | TANQUE AGUA DOBLE BOBINA |
| 620 | WR01L02290 | SENSOR PARRILLA |
| 634 | WR01F00017 | ENSAMBLE TORRE DE AIRE |
| 680 | WR01A01258 | EPS DUCTO VENTILACION VERTICAL |
| 683 | WR01A00909 | FILTRO AGUA ESPACIADOR |
| 685 | WR01L06270 | VENTANA DUCTO VERTICAL |
| 694 | WR01F01904 | UNION CONNECTOR |
| 695 | WR01F02556 | DUCTO VERICAL ENSAMBLE |
| 705 | WR01F03638 | VENTILADOR EVAPORADOR ENSAMBLE |
| 708 | WR01A00163 | PARACHOQUES TAPA |
| 713 | WR01F01887 | TUBO ENSAMBLE Y EVAPOR |
| 714 | WR01L04384 | ENS. PROTECTOR CANALETA |
| 715 | WR01F00995 | ENS. CALENTADOR DESCONG. |
| 716 | WR01A00194 | CLIP SENSOR EVAPORADOR |
| 719 | WR01L00795 | ENS. CUBIERTA VENTILADOR EVAP. |
| 720 | WR01F01775 | ENS. TERMINAL SOCKET |
| 722 | WR01L04383 | PROTECTOR LUZ CONG. |
| 723 | WR01L01103 | ENS. CUBIERTA EVAP. |
| 731 | WR01L02566 | ENS. FABRICANTE HIELO |
| 731 | WR01F04517 | ENS. FABRICANTE HIELO |
| 731 | WR01F04679 | FABRICANTE DE HIELOS |
| 731 | WR01F04810 | ENS. FÁBRICA DE HIELO |
| 734 | WR01L00857 | COVER IM 25 |
| 735 | WR01F01006 | ENS. RETENEDOR |
| 736 | WR01F00990 | CONDUCTOR DE CALOR P/ DESHIELO |
| 737 | WR01F00991 | ALAMBRE CALEFACTOR |
| 740 | WR01F00789 | FILL TUBE ASM |
| 753 | WR01L01185 | TAZA LLENADO FABRICA HIELOS |
| 819 | WR01A01065 | RONDANA RETENEDORA |
| 871 | WR01F01860 | BASTIDOR LATERAL REFR. |
| 872 | WR01F01856 | ENS. RIEL CENTRAL |
| 873 | WR01A00908 | SEPARADOR RIEL |
| 874 | WR01A00582 | RESORTE CIERRE PUERTA |

Distribuidor Autorizado

SurteRápido.com

Venta de Refacciones
Electrodomesticas

REFRIGERADOR PGMS5PJZJ SS

| Guía | Refacción | Descripción |
|------|------------|--------------------------------|
| 875 | WR01A00465 | PERNO BISAGRA AJUSTABLE |
| 878 | WR01L00957 | CUBRE BISAGRA SUP. DER. |
| 879 | WR01L02482 | ENS. BISAGRA CIERRE |
| 880 | WR01A00109 | ENS. PIERNA SOPORTE |
| 881 | WR01A00718 | TORNILLO NIVELADOR |
| 882 | WR01L00958 | CUBRE BISAGRA SUP. IZQ. |
| 883 | WR01L02481 | ENS. BISAGRA CIERRE |
| 884 | WR01L00597 | ENS. BISAGRA COMPLETA |
| 885 | WR01L00606 | ENS. BISAGRA CENTRAL |
| 886 | WR01L00841 | CUBRE BISAGRA |
| 887 | WR01L02285 | CUBIERTA BASE PARRILLA |
| 900 | WR01L01043 | ENS. CUBIERTA TARJETA |
| 901 | WR01F01522 | INVERTER COMPRESSOR EMBRA |
| 901 | WR01F01523 | INVERTER COMPRESSOR EMBRA |
| 901 | WR03F04774 | COMPRESOR INVERTER |
| 906 | WR01L01927 | FILTRO DESHIDRATADOR |
| 907 | WR01F01884 | TUBO DESHIELO |
| 909 | WR01F01914 | VALVULA AGUA |
| 911 | WR01F00846 | ARANDELA COMPRESOR |
| 911 | WR01L13035 | ARANDELA COMPRESOR |
| 912 | WR01A00191 | CLIP COMPRESOR |
| 913 | WR01L00133 | ENS. PLACA BASE MONTAJE RUEDAS |
| 914 | WR01L09610 | ENS. CUBIERTA ACCESO |
| 915 | WR01F00288 | TARJETA CONTROL PRINCIPAL |
| 916 | WR01A00223 | SEPARADOR AISLANTE |
| 917 | WR01F00979 | HARNES PERSONALITY 21 |
| 918 | WR01L04391 | CUBIERTA CONDENSADOR |
| 920 | WR01A00179 | CINTA ESPUMADA |
| 921 | WR02F04236 | ASPA VENTILADOR |
| 922 | WR01A00069 | SOPORTE VENTILADOR DELANTERO |
| 922 | WR01A02394 | SOPORTE VENTILADOR DELANTERO |
| 923 | WR02F04237 | MOTOR CONDENSADOR |
| 924 | WR01A00579 | REFUERZO EVAPORADOR/VE |
| 925 | WR01A00886 | SOPORTE VENTILADOR POST. |
| 926 | WR01F00405 | ENS. SOPORTE CONDENSADOR |

Distribuidor Autorizado

SurteRápido.com

Venta de Refacciones
Electrodomesticas

REFRIGERADOR PGMS5PJZJ SS

| Guía | Refacción | Descripción |
|------|------------|-----------------------------|
| 927 | WR01A00071 | SOPORTE CONDENSADOR |
| 928 | WR01A00208 | CLIP CONDENSADOR |
| 929 | WR01F00388 | ENSAMBLE DEL CONDENSADOR |
| 930 | WR01F02514 | DEFLECTOR AIRE CONDENSADOR |
| 931 | WR01A01080 | LLANTA ALAMBRE |
| 932 | WR01F00926 | ENS. ARNES SOPORTE GABINETE |
| 933 | WR01A00384 | MORDAZA CABLE |
| 934 | WR01A00184 | TUBO ABRAZADERA |
| 935 | WR01L00932 | CUBIERTA LINEA AGUA |
| 935 | WR01L13776 | CUBIERTA LINEA AGUA |
| 936 | WR01F00848 | SELLO GOMA |
| 938 | WR01F01877 | TUBE IM FILL |
| 943 | WR01F02557 | INVERSOR ENSAMBLE |
| 943 | WR01F04233 | INVERSOR ENSAMBLE |
| 943 | WR01F04234 | INVERSOR ENSAMBLE |
| 944 | WR01A00272 | FLOW METER |
| 944 | WR01A00271 | FLOW METER |
| 945 | WR01A00099 | SOPORTE FLUJOMETRO |
| 962 | WR01F00958 | ARNES TIERRA ELECTRICA |
| 962 | WR03F04644 | ARNES TIERRA ELECTRICA |
| 964 | WR01F01027 | CARCAZA SENSOR HUMEDAD |
| 965 | WR01F01731 | SENSOR DE HUMEDAD |
| 966 | WR01F00900 | ADAPTADOR ARNES SENSOR |
| 967 | WR01F00959 | HARNESS GROUND |
| 977 | WR01F01893 | TUBO RECTO |
| 977 | WR01F04636 | TUBO RECTO |
| 1004 | WR01F01542 | CONTROL BOTON LCD |
| 1005 | WR01F01543 | CONTROL BOTON LCD |
| 1007 | WR01A00968 | SOPORTE ANAQUEL |
| 1026 | WR01A00620 | RIEL ESPACIADOR FRONTAL |
| 1027 | WR01A00622 | RIEL ESPACIADOR FRONTAL |
| 1028 | WR01F00875 | GROMMET P/TORNILLO |
| 1029 | WR01A00975 | ENS. SOPORTE CHAROLA VEG. |