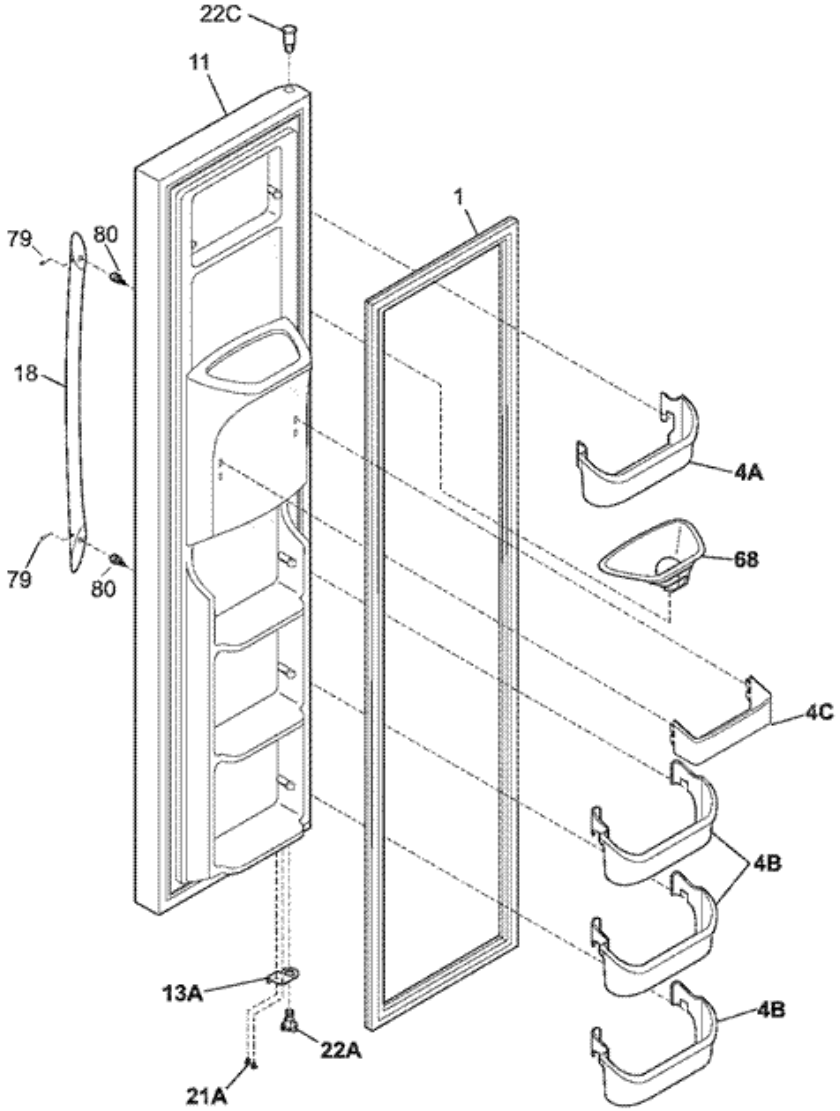


PHS68EJSB0 FREEZER DOOR

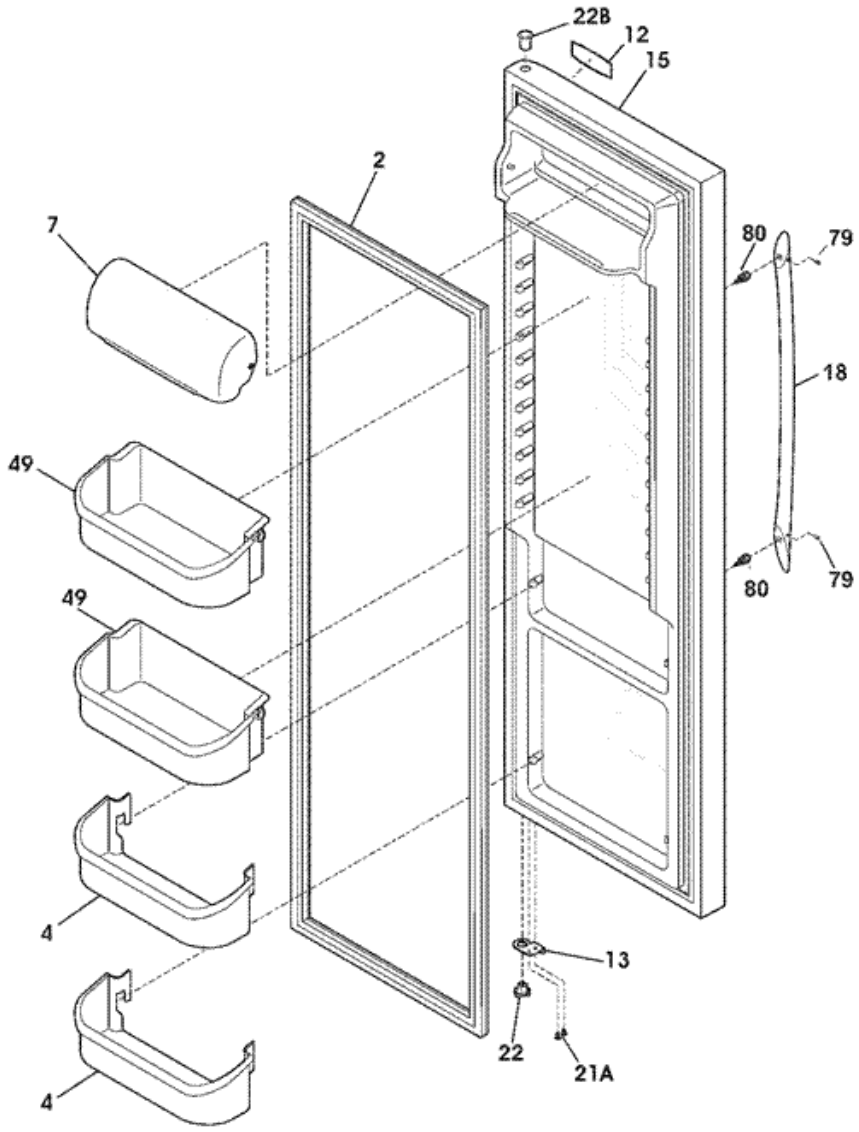




PHS68EJSB0 FREEZER DOOR

1	241786002	GASKET-FRZR DOOR, WHITE, MAGNETIC (S/P)
11	241837110	DOOR-FRZR, STAINLESS, COMPLETE ASSY (S/P)
18	240536818	HANDLE-DOOR, STAINLESS STEEL, (S/P)
68	241525101	CHUTE-ICE (S/P)
79	218755402	SCREW-SET, 10-32 X 0.375 (S/P)
80	218755504	SCREW-SHOULDER, NO.10 AB, (S/P)
NI	240552104	HARNESS-WIRING, DOOR (S/P)
4A	240334201	BIN-DOOR, FRZR-UPPER (S/P)
NI	5304467131	WRENCH, ALLEN (S/P)
NI	241806601	CONNECTOR-WATER, STRAIGHT (S/P)
NI	5303918256	DISPENSER HEATER KIT (S/P)
22A	242000502	BEARING-HINGE(FRZ), BLACK, CLOSER (S/P)
13A	240581906	DOOR STOP, BLACK, FRZR (S/P)
21A	240598402	SCREW, 10-32 X 1/2 (S/P)
22C	240328404	BEARING-HINGE, BLACK, UPPER
4B	240351601	BIN-DOOR (S/P)
4C	240351701	BIN-DOOR, FRZR-DISPENSER (S/P)

PHS68EJSB0 REFRIGERATOR DOOR

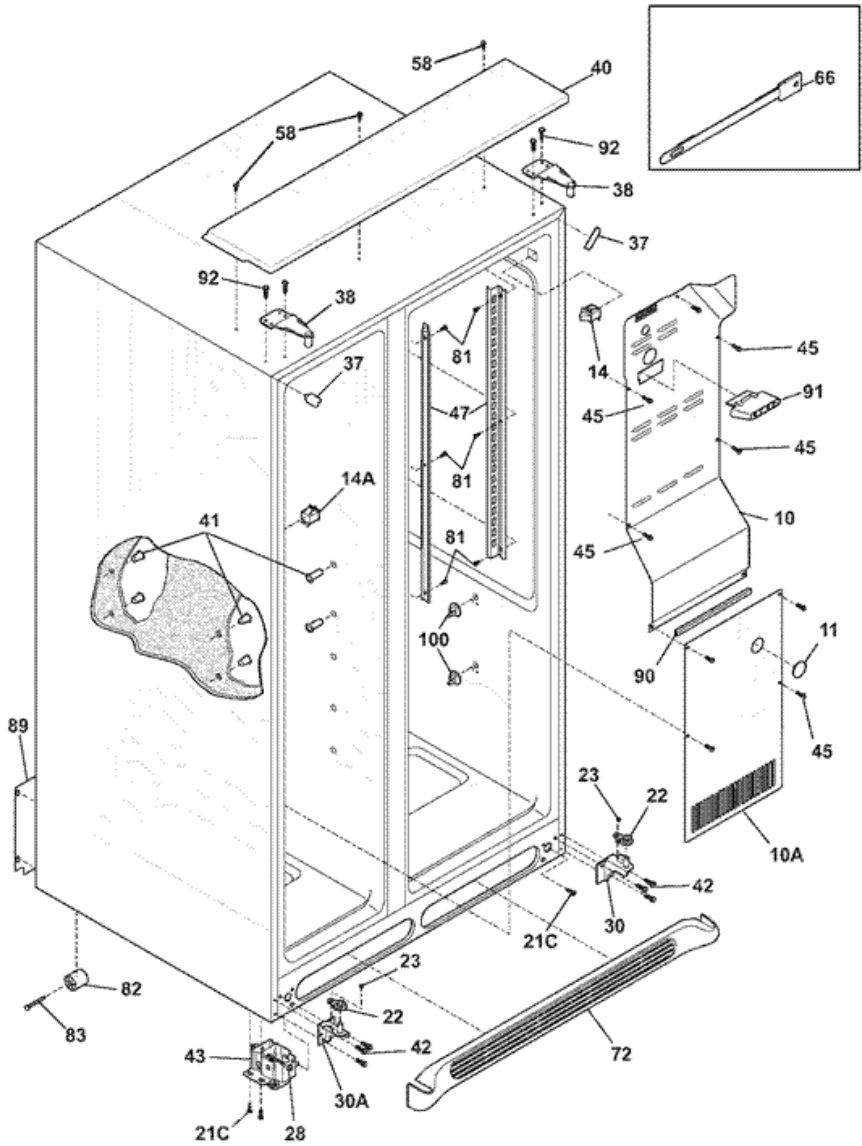




PHS68EJSB0 REFRIGERATOR DOOR

2	241786001	GASKET-REFR DOOR, WHITE, MAGNETIC (S/P)
4	240323002	BIN-DOOR, PSEUDO, BOTTOM (S/P)
7	240326203	DOOR-DAIRY (S/P)
12	241808801	LABEL-NAMEPLATE (S/P)
13	240581905	DOOR STOP, BLACK, REF (S/P)
15	241534541	DOOR-REFR, STAINLESS STEEL, (S/P)
18	240536818	HANDLE-DOOR, STAINLESS STEEL, (S/P)
22	240328203	BEARING-HINGE, BLACK, CLOSER (S/P)
49	241808206	BIN-DOOR, GALLON (S/P)
79	218755402	SCREW-SET, 10-32 X 0.375 (S/P)
80	218755504	SCREW-SHOULDER, NO.10 AB, (S/P)
21A	240598402	SCREW, 10-32 X 1/2 (S/P)
22B	240328404	BEARING-HINGE, BLACK, UPPER
NI	241780401	LINER, BIN (S/P)
NI	5304467131	WRENCH, ALLEN (S/P)

PHS68EJSB0 CABINET





PHS68EJSB0 CABINET

10	240435912	COVER-AIR DUCT (S/P)
11	5303208309	PLUG-HOLE, FACTORY TEST (S/P)
14	240505801	SWITCH, LIGHT/LAMP (S/P)
22	240457701	PLATE-DOOR CLOSER
23	240402702	SCREW-NO.10-32 X 1/4 FLAT HD (S/P)
28	240335006	BOLT-ROLLER ADJ, HEX WASHER HEAD (S/P)
30	5303918455	BRACKET-LOWER HINGE, REF (S/P)
37	240337614	TRIM-CABINET CORNER, SILVER MIST, (2) (S/P)
38	240327207	BRACKET-UPPER HINGE (S/P)
40	5304467515	COVER-UPPER HINGE, LIGHT GRAY (S/P)
41	241550801	GROMMET-SHELF MTG, 1.40`` LONG (S/P)
42	240578902	SCREW, HEX HEAD, 1/4-20 X 5/8 (S/P)
43	240335006	ROLLER ASSY, ADJUSTABLE, FRONT, (2) (S/P)
45	241500303	SCREW, HEX WASHER HEAD, 8-18AB X 0.500 (S/P)
47	240349402	CHANNEL-SHELF MTG, SIDE, (2) (S/P)
58	241595402	SCREW-NO.10-32 X 3/4 (S/P)
66	5304424968	DAMPER COVER ASSY (S/P)
72	241521622	GRILLE/KICKPLATE, METALLIC GRAY (S/P)
81	5304455650	SCREW, HEX WASHER HEAD, 8-15A X 0.625 (S/P)
82	5304418225	ROLLER, COMPRESSOR BASE, REAR, (2) (S/P)
83	5304455655	RIVET, FLAT HEAD, 1/4 OD X 1-3/4, ROLLER PIN (S/P)
89	241733902	COVER-ACCESS, W/LABEL (S/P)
90	218249808	SEAL-COIL COVER (S/P)
91	240380101	DUCT-ICE MAKER (S/P)
92	241710601	SCREW, HEX WASHER HD, 1/4 X 7/8 (S/P)
100	241993101	SUPPORT, CRISPER COVER, FRONT, (4) (S/P)
100	241993001	SUPPORT, CRISPER COVER, REAR, (4) (S/P)
21C	218252201	SCREW, NO.8 TRUSS HD, 10-32CA X 0.500 (S/P)
NI	240396801	CLAMP, TUBE/WIRING, NYLON, (S/P)
14A	241547901	SWITCH-LIGHT/LAMP, FRZR DOOR (S/P)
NI	241550701	GROMMET-SHELF MTG, .96`` LONG (S/P)
NI	240479601	PLUG, BUTTON, CAB LINER HOLES (S/P)
NI	240518802	PIN-PUSH, PUSH-IN, PLASTIC (S/P)

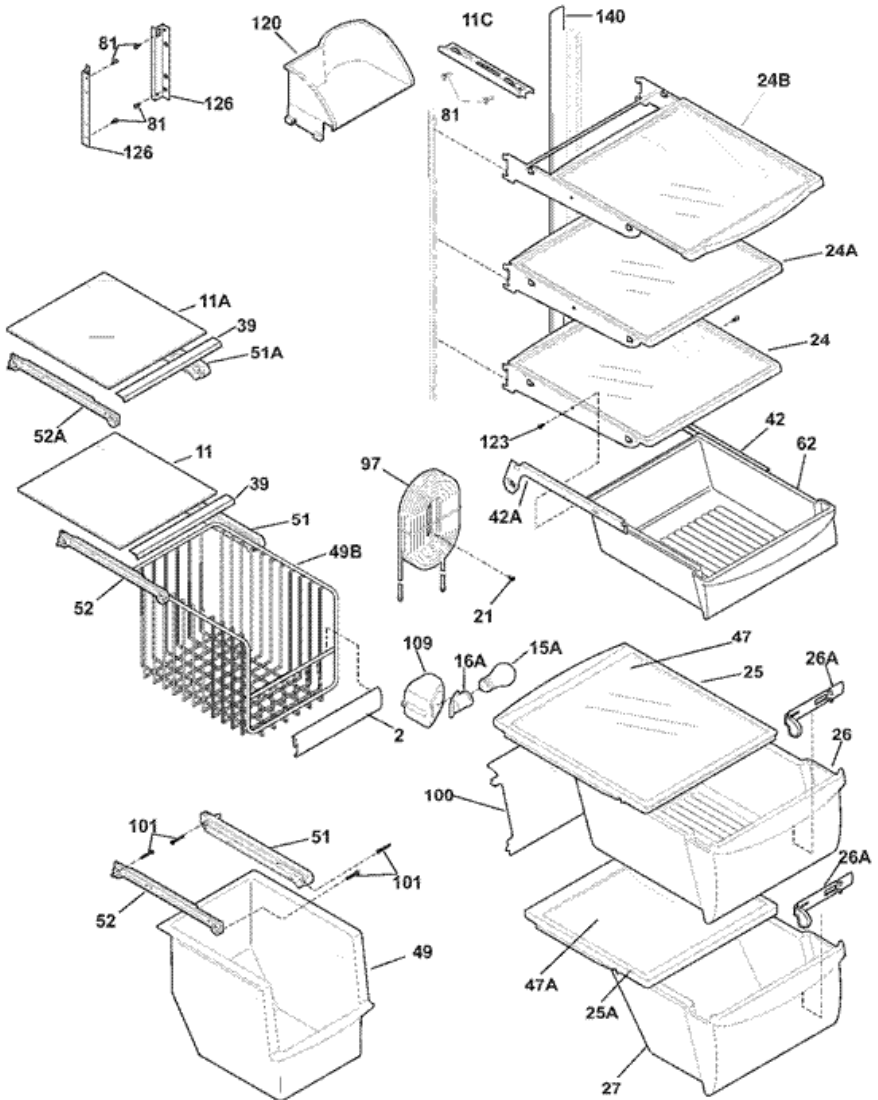
NI	5303321321	PAINT, TOUCH-UP, BLACK (S/P)
30A	5303918455	BRACKET-LOWER HINGE (S/P)
10A	241719711	COVER-EVAP COIL, LOWER (S/P)

Distribuidor Autorizado

SurteRápido.com

Venta de Refacciones
Electrodomesticas

PHS68EJSB0 SHELVES





PHS68EJSB0 SHELVES

2	241510604	TRIM-BASKET (S/P)
11	240350668	SHELF-FREEZER, GLASS, LOWER (S/P)
21	5304455658	SCREW, HX WSHR HD SEMS, 8-15A X 0.625 (S/P)
24	240355203	SHELF-`SPILL-SAFE`, FIXED (S/P)
25	240350702	COVER-CRISPER PAN, UPPER (S/P)
26	240351005	PAN-CRISPER, UPPER (S/P)
27	240351205	PAN-CRISPER, LOWER (S/P)
39	240367602	TRIM-SHELF, FRONT (S/P)
42	240356501	TRACK, MEAT PAN HANGER, RH (S/P)
47	241711236	INSERT-PAN COVER, GLASS (S/P)
49	240564401	BASKET-SLIDING (S/P)
51	240343002	HANGER-BASKET, RH (S/P)
52	240343102	HANGER-BASKET, LH (S/P)
62	240342805	PAN-MEAT (S/P)
81	5304455650	SCREW, HEX WASHER HEAD, 8-15A X 0.625, (S/P)
97	240545307	WATER TANK (S/P)
100	240326304	COVER-WATER TANK (S/P)
101	218493101	SCREW, HEX WASHER HEAD, 8-18AB X 1-3/4 (S/P)
109	240351301	BASE-CRISPER LIGHT SOCKET (S/P)
120	240342901	SHELF-ICE CREAM (S/P)
123	215005101	SCREW, HANGER/RLR MTG, 8-10 X 7/16 (S/P)
126	241674402	CHANNEL, AUGER MTG, RH (S/P)
126	241674401	CHANNEL, AUGER MTG, LH (S/P)
140	240430501	CHANNEL, WTR TUBE COVER (S/P)
49B	240530504	BASKET-SLIDING, UPPER, FULL (S/P)
51A	240395502	HANGER-BASKET, RH (S/P)
52A	240395602	HANGER-BASKET, LH (S/P)
NI	240362101	CLIP-SLIDE, COVER-CRISPER (S/P)
26A	240362201	CONTROL-HUMIDITY (S/P)
24A	240355205	SHELF-`SPILL-SAFE`, FIXED (S/P)
16A	241513901	SOCKET-LIGHT (S/P)
15A	241555401	LIGHT BULB (S/P)
NI	241595202	CLIP-SLIDE, PAN-CRISPER (S/P)

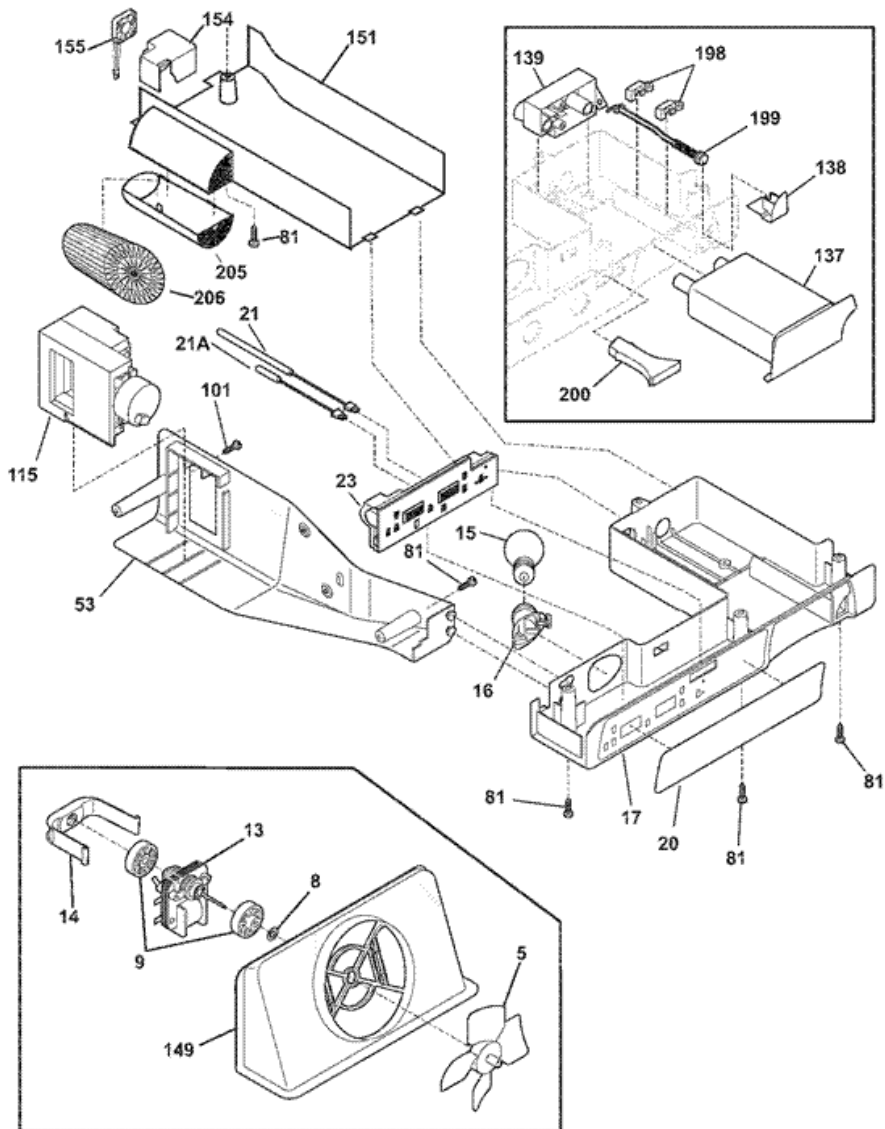
11C	240324101	SHELF-PIZZA (S/P)
42A	240349701	HANGER-MEAT PAN, LH (S/P)
NI	240349801	CLIP-SLIDE, PAN-CRISPER (S/P)
42A	240349901	BLOCK-MEAT PAN RAIL, LH (S/P)
42A	240350001	SPRING-MEAT PAN RAIL (S/P)
24B	240350106	SHELF-``SPILL-SAFE``, CANTILEVER, SLIDING (S/P)
47A	240350603	INSERT-PAN COVER, GLASS
25A	240350903	COVER-CRISPER PAN, LOWER (S/P)
16A	241537603	HARNESS-WIRING (S/P)
11A	240350667	SHELF-FREEZER, GLASS, UPPER (S/P)

Distribuidor Autorizado

SurteRápido.com

Venta de Refacciones
Electrodomesticas

PHS68EJSB0 CONTROLS





PHS68EJSB0 CONTROLS

5	5308000010	FAN BLADE, RED, EVAPORATOR FAN (S/P)
8	215474201	WASHER, ``SLINGER``, NYLON, (S/P)
9	241563601	BUSHING-MOTOR MTG, (2) (S/P)
13	5304445861	MOTOR-EVAP FAN
14	241517701	CLIP, EVAP FAN MOTOR (S/P)
15	241555401	LIGHT BULB (S/P)
16	241513901	SOCKET-LIGHT (S/P)
17	241608801	BOX-CONTROL, FRONT (S/P)
20	241603922	LABEL-CONTROL BOX (S/P)
21	241608401	THERMISTOR-REFR (S/P)
23	241739703	CONTROL, ELECTRONIC, W/HOUSING (S/P)
53	241608901	BOX-CONTROL (S/P)
81	5304455650	SCREW, HEX WASHER HEAD, 8-15A X 0.625 (S/P)
101	241637202	SCREW, NO.8AB X 1 3/4`` (S/P)
115	241600905	DAMPER ASSY, W/SEAL (S/P)
137	WF2CB	FILTER, WATER, CARBON CASSETTE, FRONT
137	241944302	BYPASS, WATER FILTER, OPTIONAL PART
138	240397301	BUTTON-FILTER RELEASE (S/P)
139	240396002	BASE-WATER FILTER
139	240527001	O-RING, WTR FILTER BASE DESCONTINUADO
149	241595502	SHROUD-FAN ORFICE (S/P)
149	241528303	SEAL, SHROUD (S/P)
151	241526001	FILTER HOUSING (S/P)
154	241525801	DUCT-AIR (S/P)
155	241526102	MOTOR-AIR FILTER (S/P)
155	241611901	HARNESS-WIRING, FILTER FAN (S/P)
198	240397401	RETAINER (S/P)
199	240398401	SPRING-FILTER RELEASE ROD (S/P)
199	240397501	ROD (S/P)
200	240397601	LIGHT PIPE (S/P)
205	241525901	AIR FILTER DOOR (S/P)
206	241504902	FILTER-AIR (S/P)

NI	3205266	EDGE PROTECTOR, WIRING HARNESS (S/P)
NI	5304455649	SCREW-TIMER MTG, PAN HD, 6-20 X 0.438, (2) (S/P)
NI	241737801	HARNESS-WIRING, CONTROL BOX (S/P)
21A	241608501	THERMISTOR-FRZR (S/P)

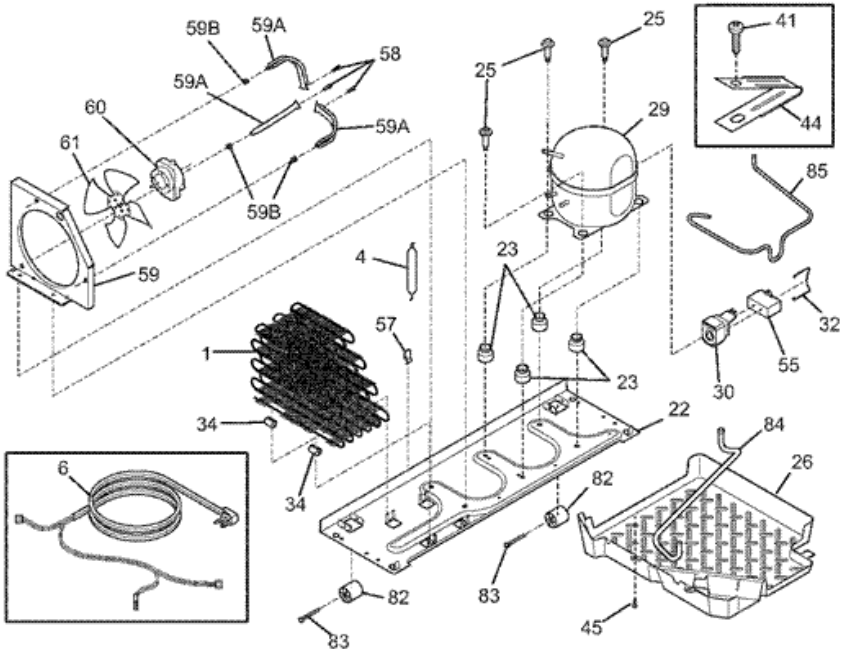
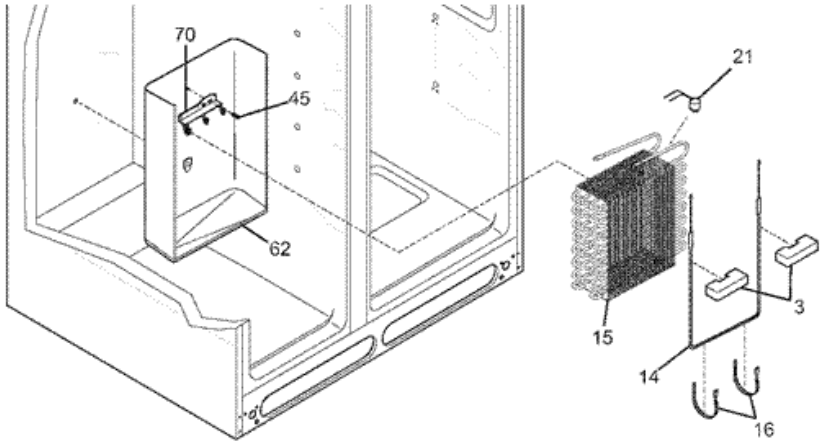
Distribuidor Autorizado

SurteRápido.com

Venta de Refacciones
Electrodomesticas



PHS68EJSB0 SYSTEM





PHS68EJSB0 SYSTEM

1	240333603	CONDENSER (S/P)
3	218679607	BLOCK-EVAP COIL, STYROFOAM, (2) (S/P)
4	5303305677	DRIER-FILTER, R134A SYSTEM (S/P)
6	241586801	HARNESS-WIRING, MACHINE COMPT (S/P)
14	242044113	HEATER-DEFROST (S/P)
15	5303918284	EVAPORATOR KIT (S/P)
16	5308000110	STRAP-EVAP/HEATER, ALUMINUM, (2) (S/P)
21	5303918214	THERMOSTAT-DEFROST, KIT
22	240330011	BASE-COMPRESSOR MTG (S/P)
23	218513300	GROMMET, COMPRESSOR (S/P)
25	240491503	SCREW-COMPRESSOR MTG, 1/4-28 X 1.16, (4) (S/P)
26	241697602	PAN-DEFROST (S/P)
29	5304475098	COMPRESSOR, KIT, W/ELECTRICALS (S/P)
30	241707701	STARTER, PTC (S/P)
32	241650901	CLAMP, ELEC CONT MTG, COMPRESSOR (S/P)
34	240405201	GROMMET, RUBBER, BLACK, (S/P)
41	240555002	SCREW-NO.8-32 X 3/8 (S/P)
44	5303001199	CLAMP-SERVICE CORD, STRAIN RELIEF, (S/P)
45	5304455650	SCREW, HEX WASHER HEAD, 8-15A X 0.625, (S/P)
55	218909913	CAPACITOR, RUN, 220 VAC, 15 MICROFARAD
57	240542601	CLIP-WIRING HARNESS (S/P)
58	240433203	SCREW, HEX WASHER HEAD, 8-18 X 3/8 (S/P)
59	240315504	SHROUD-COND FAN (S/P)
60	241584301	MOTOR-CONDENSER FAN
61	241639501	BLADE-CONDENSER FAN (S/P)
62	5304481642	TROUGH-DRAIN (S/P)
70	218990801	BRACKET-EVAP/CVR MTG (S/P)
82	5304418225	ROLLER, COMPRESSOR BASE, REAR, (2) (S/P)
83	5304455655	RIVET, FLAT HEAD, 1/4 OD X 1-3/4, ROLLER PIN (S/P)
84	241957901	TUBE-DRAIN, LOWER (S/P)
85	241719501	TUBE-CONNECTOR, SUCTION (S/P)
NI	241651601	HARNESS-WIRING, EVAPORATOR (S/P)
NI	240451503	SCREW, IND HEX WSHR HD, 8-32 X 0.375 (S/P)

NI	240346701	TAPE-FOAM SEAL, SHROUD (S/P)
NI	5303918222	HOT TUBE REPAIR KIT, SERVICE (S/P)
NI	241737801	HARNESS-WIRING, CONTROL BOX (S/P)
NI	240359403	SCREW-FAN SHROUD, (2) (S/P)
NI	218252201	SCREW, NO.8 TRUSS HD, 10-32CA X 0.500 (S/P)
NI	240409302	SPACER-COND TUBE, BLACK (S/P)
59B	240346601	GROMMET-BRACKET, (3) (S/P)
59A	240346501	BRACKET-SUPPORT, COND MTR, (3) (S/P)
NI	5303918328	HEAT EXCHANGER KIT, SUCTION LINE (S/P)

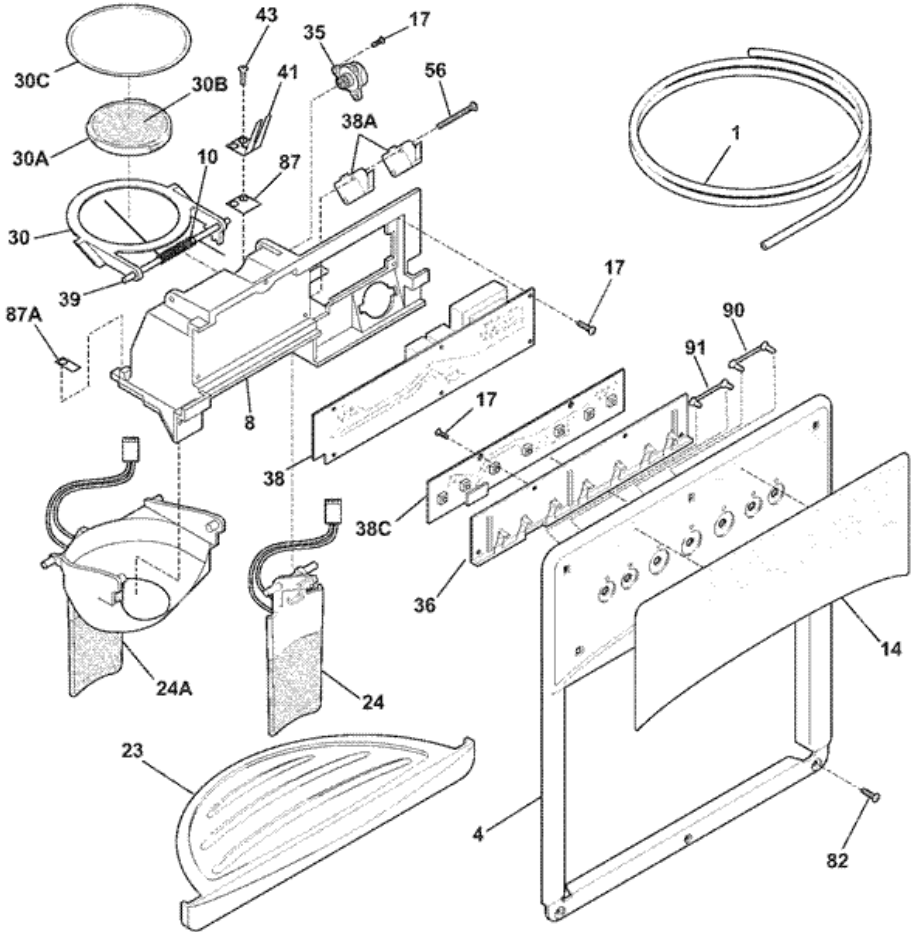
Distribuidor Autorizado

SurteRápido.com

Venta de Refacciones
Electrodomesticas



PHS68EJSB0 ICE & WATER DISPENSER





PHS68EJSB0 ICE & WATER DISPENSER

1	218976409	TUBE, WATER, DOOR (S/P)
4	241678710	COVER-MODULE, SILVER METALLIC (S/P)
8	241680504	MODULE-DISPENSER (S/P)
10	241688901	SPRING-TORSION (S/P)
14	241611226	LABEL-MODULE COVER (S/P)
17	241679801	SCREW (S/P)
23	241649005	DRIP TRAY, SILVER METALLIC (S/P)
24	241685704	ACTUATOR, STAINLESS (S/P)
30	241688401	DOOR ASSY-ICE CHUTE (S/P)
35	241689301	DAMPER-ROTARY (S/P)
36	241680301	CARRIER (S/P)
38	241527601	BOARD-POWER (S/P)
39	241688801	PIN-HINGE (S/P)
41	241689001	SPRING-ACTUATOR (S/P)
43	215296301	SCREW, PLASK H/L, NO.6 X 3/8 (S/P)
56	241689201	SCREW-MICRO SWITCH, PAN HEAD (S/P)
82	240363402	SCREW-NO.8-18 X 1/2, NO.6 HD PLASK (S/P)
87	241688302	BEARING PLATE (S/P)
90	241680201	LIGHT PIPE, REFLECTOR, LONG (S/P)
91	241680101	LIGHT PIPE, REFLECTOR, SHORT (S/P)
NI	240561701	SEAL-WATER INLET, INLET VALVE, (S/P)
NI	218976418	TUBE-WATER INLET, INLET VALVE, TO FILTER (S/P)
30C	241688701	DOOR SEAL (S/P)
30B	241688601	INSULATION-DOOR (S/P)
30A	241688501	DOOR CENTER (S/P)
38C	241708306	BOARD-CONTROL (S/P)
NI	5303918256	DISPENSER HEATER KIT (S/P)
38A	241689101	SWITCH-MICRO, SINGLE POLE, (S/P)
24A	241682304	ACTUATOR-ICE, STAINLESS (S/P)
NI	241686201	INSULATOR-ELECTRICAL (S/P)
87A	241688301	BEARING PLATE (S/P)
NI	218515403	CLIP-GRILLE (S/P)
NI	218976419	TUBE-WATER INLET, VALVE TO DOOR (S/P)

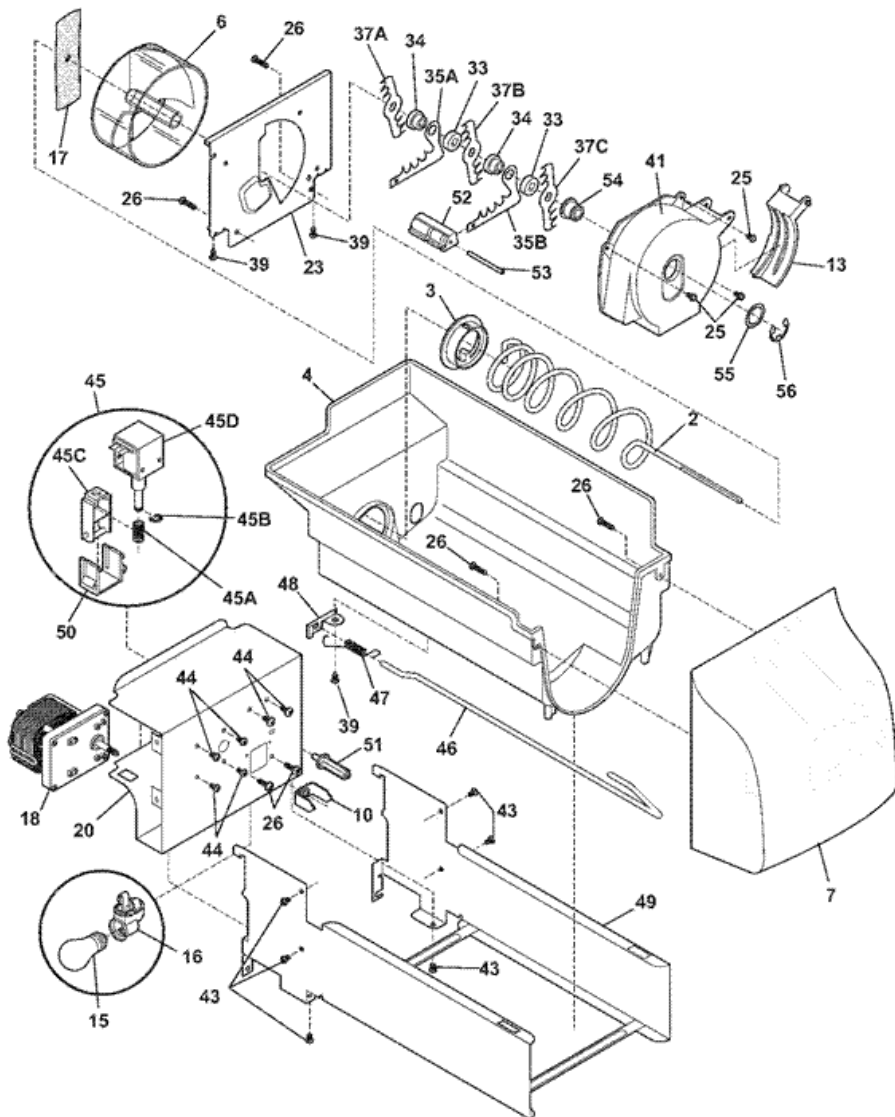
NI	218976915	TUBE-WATER INLET, INLET VALVE, (S/P)
38C	241680002	HARNESS-RIBBON CABLE (S/P)

Distribuidor Autorizado

SurteRápido.com

Venta de Refacciones
Electrodomesticas

PHS68EJSB0 ICE CONTAINER





PHS68EJSB0 ICE CONTAINER

2	241716101	AUGER-ICE (S/P)
3	241685201	CAM-DRIVE (S/P)
4	241734001	CONTAINER-ICE, BUCKET ONLY (S/P)
6	241685101	DRUM-ICE DISP
7	241735301	FRONT-ICE CONTAINER (S/P)
10	241726501	BAR-DRIVE (S/P)
13	241885001	GATE (S/P)
15	241555401	LIGHT BULB (S/P)
16	241559801	SOCKET-LIGHT (S/P)
17	241684501	DRIVE BLADE (S/P)
18	241676201	MOTOR-AUGER (S/P)
20	241734902	COVER, MOTOR (S/P)
23	241684001	PLATE-FRONT (S/P)
25	241690701	SCREW, HEX WASHER HEAD, 8-32T X 0.375 (S/P)
26	215503205	SCREW, CR PAN HD, 10-16 X 0.500 (S/P)
33	241684801	SPACER (S/P)
34	241689801	SPACER (S/P)
39	241690501	SCREW (S/P)
41	241885001	HOUSING-CRUSHER (S/P)
43	215005101	SCREW, HANGER/RLR MTG, 8-10 X 7/16 (S/P)
44	218359202	SCREW, PAN HEAD, 8-32 X 0.250 (S/P)
45	241675701	SOLENOID ASSY, 115V (S/P)
46	241716002	CONTROL ROD (S/P)
47	241731801	SPRING-CONTROL ROD (S/P)
48	241684602	BRACKET-CONTROL ROD (S/P)
49	241734501	RAIL ASSY (S/P)
50	5304404334	GUIDE-SOLENOID (S/P)
51	241676301	ROTATION STOP (S/P)
52	241684901	SPACER-FIXED BLADES (S/P)
53	241690402	PIN-SPIRAL, FIXED BLADES (S/P)
54	241685001	NUT-AUGER (S/P)
55	241690306	WASHER (S/P)
56	241690201	E-RING (S/P)

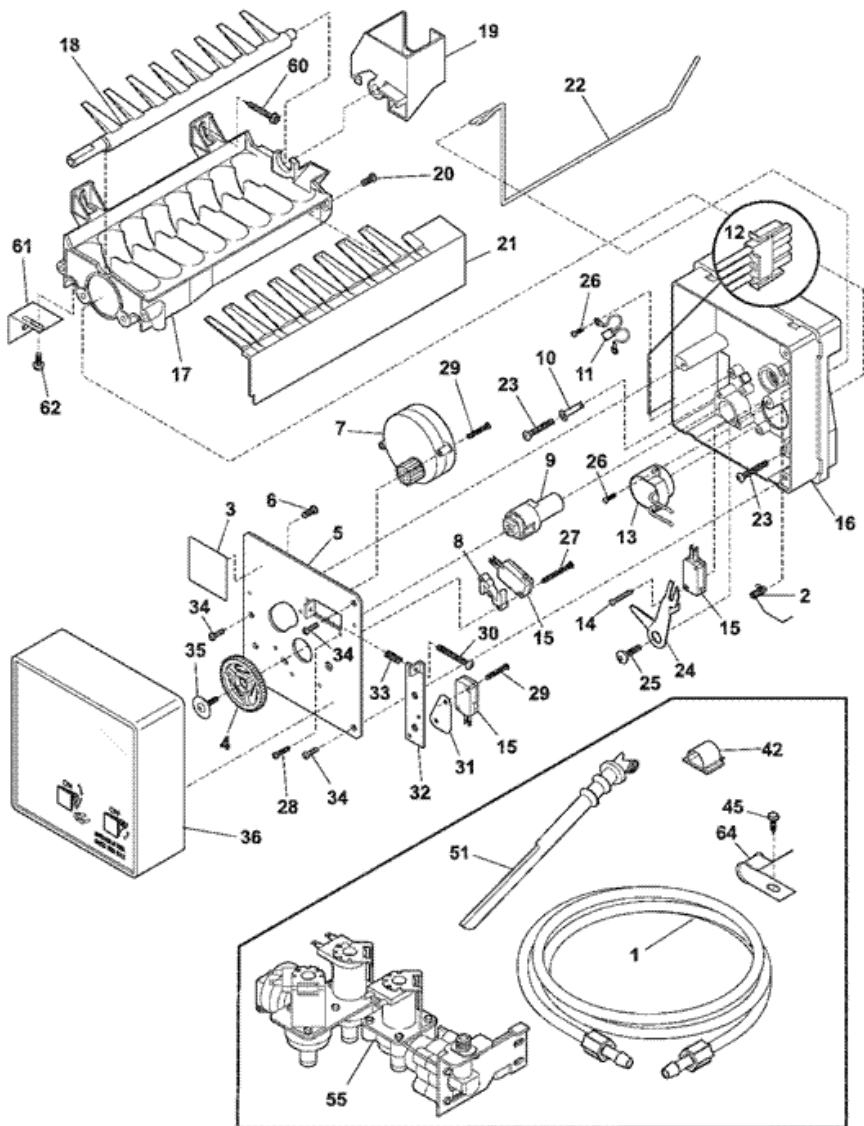
35B	241684201	FIXED BLADE, SQUARE (S/P)
45D	241675801	SOLENOID, 115V (S/P)
45A	241675901	SPRING-SOLENOID (S/P)
45B	241676001	E-RING-SOLENOID (S/P)
45C	241676101	ACTUATOR-SOLENOID (S/P)
37A	241684101	BLADE, CRUSHER NO.1 (S/P)
37B	241684102	BLADE, CRUSHER NO.2 (S/P)
37C	241684103	BLADE, CRUSHER NO.3 (S/P)
35A	241684301	FIXED BLADE, ROUND (S/P)
NI	241732001	HARNESS WIRING (S/P)
NI	241860801	ICE CONTAINER ASSY, W/MOVING PARTS (S/P)
NI	240352602	WIRING HARNESS, INTERNAL, (S/P)

Distribuidor Autorizado

SurteRápido.com

Venta de Refacciones
Electrodomesticas

PHS68EJSB0 ICE MAKER





PHS68EJSB0 ICE MAKER

1	218976409	TUBE, WATER, DOOR (S/P)
2	5304456650	SPRING-SHUTOFF ARM, ICE MAKER (S/P)
3	5304456657	NAMEPLATE (S/P)
4	5304456658	GEAR (S/P)
5	5304456659	PLATE-MOUNTING (S/P)
6	5304456691	SCREW, M 3X20 NO.3, VALVE PLATE (S/P)
7	5304445222	MOTOR-ICE MAKER SVO (S/P)
8	5304456661	SPACER-HOLD SWITCH (S/P)
9	5304456662	CAM (S/P)
10	5304456689	RETAINER, THERMOSTAT (S/P)
11	5304456663	THERMAL CUTOFF, ICE MAKER, (S/P)
12	5304456664	HARNESS-WIRING (S/P)
13	5304456665	THERMOSTAT, ICE MAKER (S/P)
14	5304455676	SCREW, PLASK, 4X14X3/4 (S/P)
15	5304456667	SWITCH-MICRO, (3) (S/P)
16	5304456668	SUPPORT (S/P)
17	5304456669	MOLD-ICE MAKER, W/THERM CUT OFF (S/P)
18	5304456670	EJECTOR-ICE (S/P)
19	5304456671	BEARING & INLET, FILL CUP (S/P)
20	5304455677	SCREW, 8-32 X 3/8 (S/P)
21	5304456672	ICE STRIPPER (S/P)
22	5304456673	SHUT-OFF ARM (S/P)
23	5304456674	SCREW, M 4X25 NO.2, MOLD-TO-SUPPORT (S/P)
24	5304456675	LEVER ARM (S/P)
25	5304456676	SCREW, M 4X12.8 NO.2, LEVER ARM/SPRT (S/P)
26	5304455680	SCREW, PLASK, 4-14 X 3/8 (S/P)
27	5304456677	SCREW, M 3X25 NO.3, HOLD SWITCH MTG, (2) (S/P)
28	5304456660	SCREW, M 4X6 NO.2 (S/P)
29	5304456678	SCREW, M 3X12 NO.3, (2) (S/P)
30	5304456679	SCREW-TIMING ADJ, M 4X25 NO.3 (S/P)
31	5304456680	INSULATOR (S/P)
32	5304456681	PLATE-VALVE SWITCH (S/P)
33	5304456682	SPRING, TIMING ADJUST (S/P)

34	5304456683	SCREW, M 4X12 NO.2, (3) (S/P)
35	5304456684	SCREW (S/P)
36	5304456685	COVER-ICE MAKER (S/P)
42	218515403	CLIP-GRILLE (S/P)
45	5304455650	SCREW, HEX WASHER HEAD, 8-15A X 0.625, (S/P)
51	241796401	TUBE-WATER FILL, EXTENSION (S/P)
55	241734301	VALVE-WATER, TRIPLE SOLENOID
60	5303207328	SCREW, HEX WASHER HEAD, 8-15A X 1.000, (2) (S/P)
61	5304456686	BRACKET-LEVELING, ICE MAKER (S/P)
62	5304456687	SCREW-IM BRKT MTG DESCONTINUADO
64	5304455846	CLAMP, 0.31 ID, STEEL, COPPER WTR LINE (S/P)
NI	5304445223	SPRING BEAM (S/P)
NI	241806601	CONNECTOR-WATER, STRAIGHT (S/P)
NI	218709101	SCREW, HEX HEAD, 10-32 X 0.500 (S/P)
NI	218976418	TUBE-WATER INLET, INLET VALVE, TO FILTER (S/P)
NI	218976419	TUBE-WATER INLET, VALVE TO DOOR (S/P)
NI	218976915	TUBE-WATER INLET, INLET VALVE, TO FILTER (S/P)
NI	240363602	SCREW-SHOULDER (S/P)
NI	240542901	CAP-WATER VALVE (S/P)
NI	240561701	SEAL-WATER INLET, INLET VALVE, (S/P)
NI	241642501	ICE MAKER, RADIUS CUBE, 115 V, SVCE (S/P)
NI	5304456688	TERMINAL (S/P)
NI	240352602	WIRING HARNESS, INTERNAL, (S/P)
NI	5304456690	LABEL, ID PLATE (S/P)
NI	5304456666	SCREW, M 3X20 NO.2, (6) (S/P)
NI	5304456692	WASHER (S/P)
NI	5304456693	NUT, M 3.5 (S/P)
NI	5304456737	WASHER (S/P)