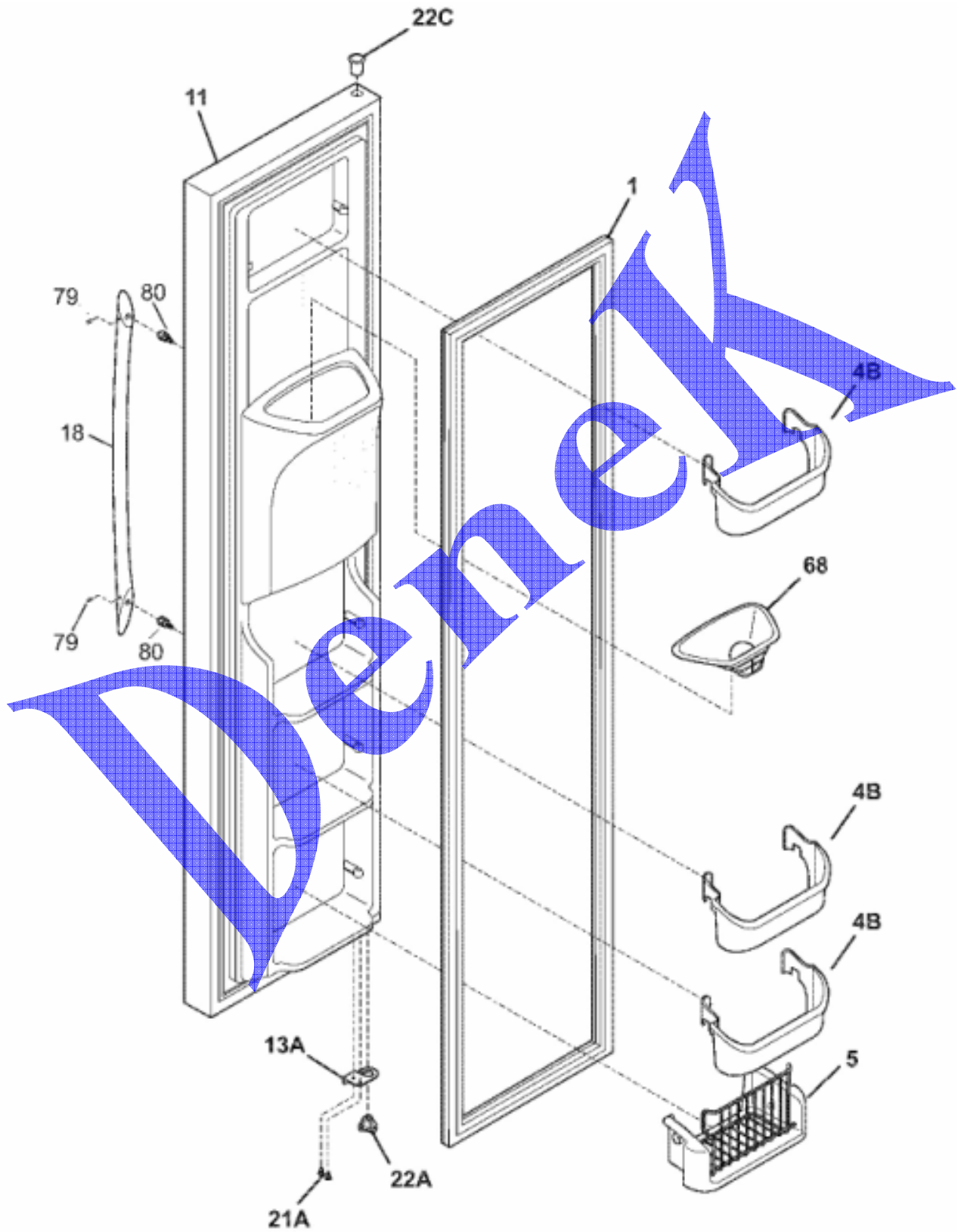


## REFRIGERADOR WW MOD. PHSC239DSB0

## PUERTA CONGELADOR



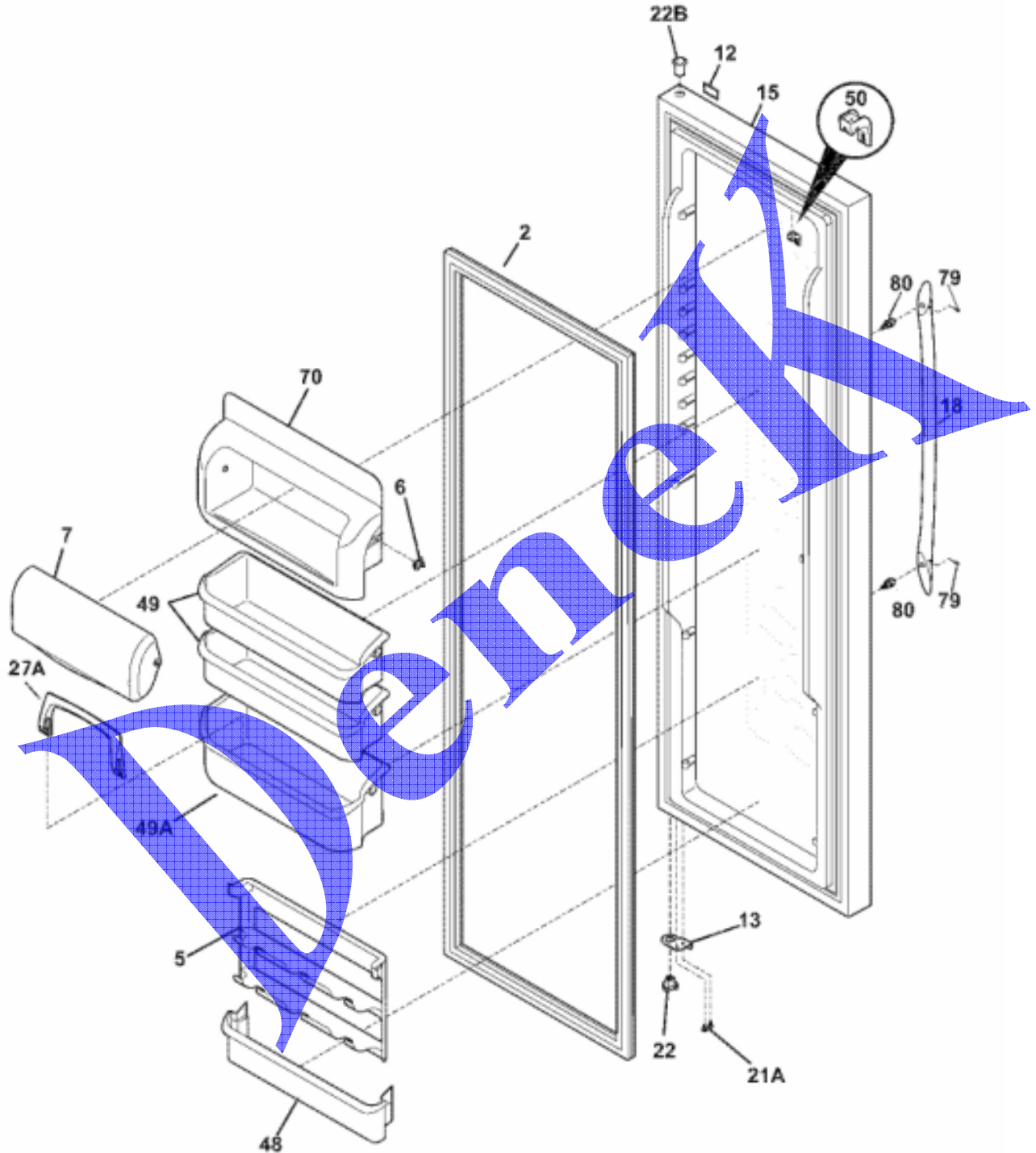
REFRIGERADOR WW MOD. PHSC239DSB0

PUERTA CONGELADOR

NUMERO	N.DE PARTE	DESCRIPCION
F1	241510204	GASKET-FRZR DOOR,BLACK ,MAGNETIC
4B	241511605	BIN-DOOR,FRZR
5	241545001	BIN-TILT OUT,TILT-OUT
11	240554279	DOOR-FRZR,STAINLESS ,COMPLETE ASSY
13A	240581906	DOOR STOP,BLACK ,FRZR
18	240536801	HANDLE-DOOR,STAINLESS STEEL ,WITH INSERT
21A	240598401	SCREW,10-32 X 1/2
22A	240328204	BEARING-HINGE,CLOSER
22C	240328404	BEARING-HINGE,BLACK ,UPPER
68	241525101	CHUTE-ICE
79	218755402	SCREW-SET,10-32 X 0.375
80	218755503	SCREW-SHOULDER,NO.10 AB ,HANDLE MOUNTING
NI	240545101	CONNECTOR-WATER,STRAIGHT
NI	240552102	HARNES-WIRING,DOOR

## REFRIGERADOR WW MOD. PHSC239DSB0

## PUERTA ENFRIADOR



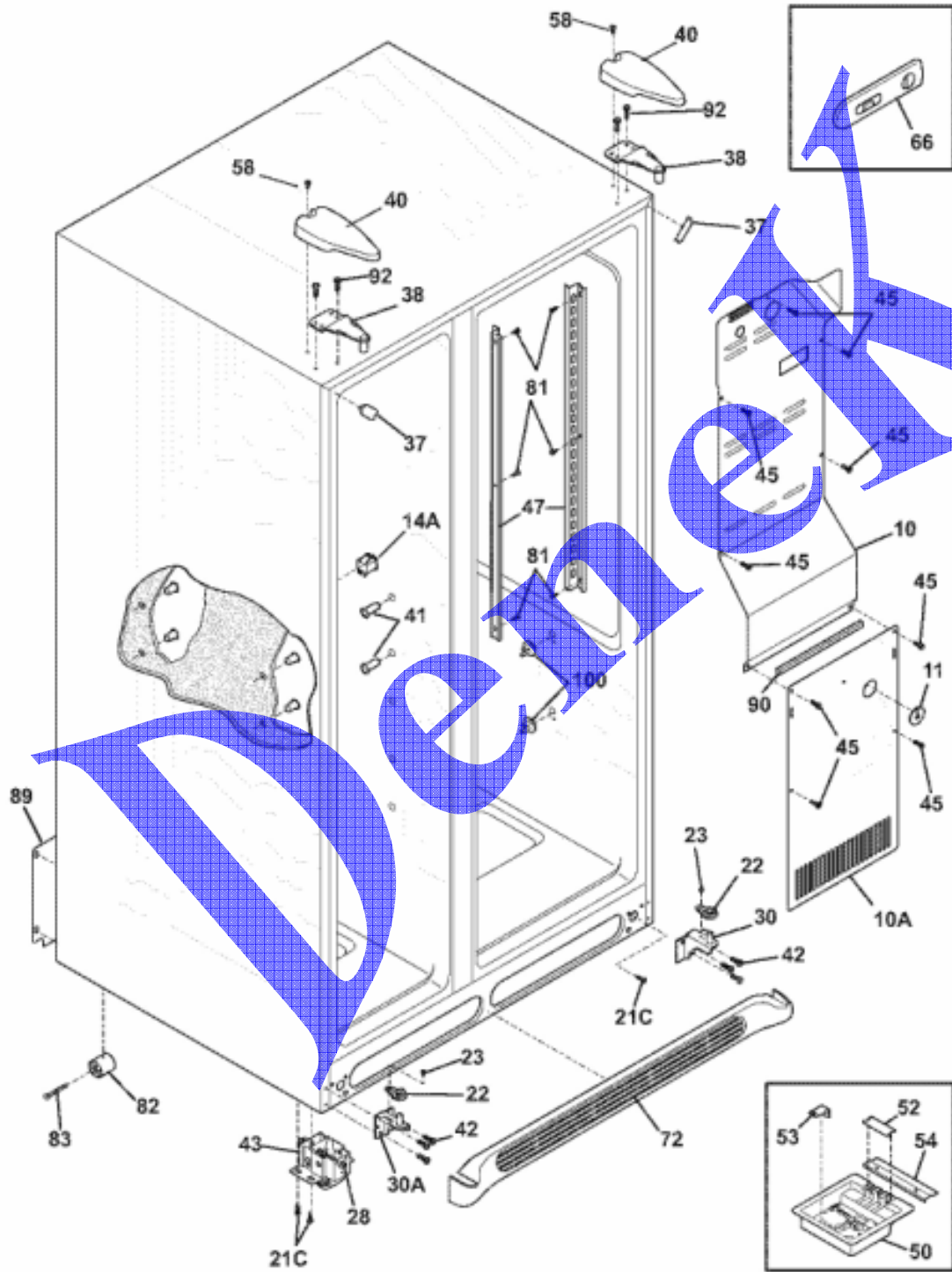
REFRIGERADOR WW MOD. PHSC239DSB0

PUERTA ENFRIADOR

NUMERO	N.DE PARTE	DESCRIPCION
F2	241510203	GASKET-REFR DOOR,BLACK ,MAGNETIC
5	241516102	RACK-CAN
6	241515901	LUG-DAIRY COMPARTMENT
7	241515601	DOOR-DAIRY
12	240558802	LABEL-NAMEPLATE
13	240581905	DOOR STOP,BLACK ,REF
15	241534509	DOOR-REFR,STAINLESS ,COMPLETE ASSY
18	240536801	HANDLE-DOOR,STAINLESS STEEL ,WITH INSERT
21A	240598401	SCREW,10-32 X 1/2
22	240328203	BEARING-HINGE,CLOSER
22B	240328404	BEARING-HINGE,BLACK ,UPPER
27A	240396102	RETAINER,TALL BOTTLE
48	241511703	BIN-DOOR,REF
49	240430319	BIN-DOOR,2-LITER
49A	240430320	BIN-DOOR,GALLON
50	241508401	COVER-MAGNET
70	241515801	COMPARTMENT-DAIRY,REMOVABLE
79	218755402	SCREW-SET,10-32 X 0.375
80	218755503	SCREW-SHOULDER,NO.10 AB ,HANDLE MOUNTING

## REFRIGERADOR WW MOD. PHSC239DSB0

## GABINETE



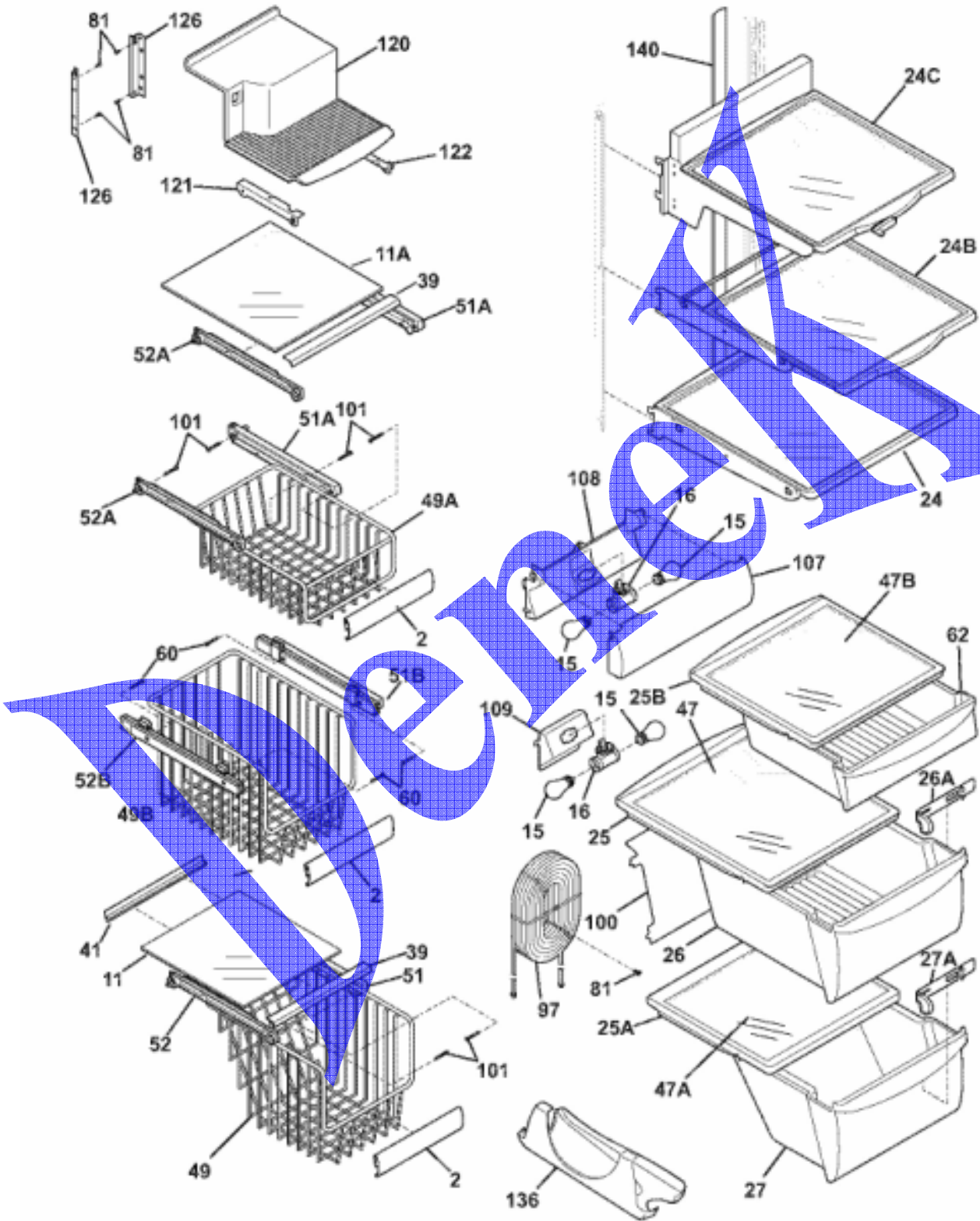
**REFRIGERADOR WW MOD. PHSC239DSB0**

**GABINETE**

NUMERO	N.DE PARTE	DESCRIPCION
10	241509802	COVER-AIR DUCT
10A	240475907	COVER-EVAP COIL,LOWER
11	241529301	PLUG-HOLE,FACTORY TEST
14A	241547901	SWITCH-LIGHT/LAMP,FRZR DOOR
21C	218252200	SCREW,NO.8 TRUSS HD ,10-32CA X 0.500
22	240457702	PLATE-DOOR CLOSER
23	240402701	SCREW-NO.10-32 X 1/4 FLAT HD
28	240335501	BOLT-ROLLER ADJ,HEX WASHER HEAD ,1/4-20 X 4.020,(2) ,SPECIAL
30	240419101	BRACKET-LOWER HINGE, REF
30A	240419102	BRACKET-LOWER HINGE
37	240337603	TRIM-CABINET CORNER,BLACK ,(2)
38	240327201	BRACKET-UPPER HINGE
40	240327007	COVER-UPPER HINGE,BLACK
41	241550801	GROMMET-SHELF MTG,1.40" LONG
NI	241550701	GROMMET-SHELF MTG,.96" LONG
42	240578901	SCREW-HINGE MTG,HEX HEAD ,1/4-20 X 5/8
43	240335003	ROLLER ASSY,FRONT ,(2)
45	241500301	SCREW,HEX WASHER HEAD ,8-18AB X 0.500
47	241513001	CHANNEL-SHELF MTG,SIDE ,(2)
50	241511102	BOARD-MAIN POWER
NI	241532501	CLIP-HARNES
52	241524802	SEAL,HOUSING
53	241509101	BRACKET
54	241532401	CHANNEL
58	218781100	SCREW,PAN HEAD ,8-18 X 0.625
66	241513601	DAMPER ASSY
72	241521610	GRILLE/KICKPLATE,BISQUE
81	5308016566	SCREW,HEX WASHER HEAD ,8-15A X 0.625 ,LOW PROFILE
82	5304418225	ROLLER,COMPRESSOR BASE ,REAR ,(2)
83	5303316859	RIVET,FLAT HEAD ,1/4 OD X 1-3/4 ,ROLLER PIN
89	241574602	COVER ACCESS
90	218249808	SEAL-COIL COVER
92	216850900	SCREW,HEX WASHER HD ,1/4 X 7/8 ,HINGE MTG
100	240423701	SUPPORT.CRISPER COVER .FRONT ,(4)
F100	240350802	SUPPORT,CRISPER COVER ,REAR ,(4)
NI	240479601	PLUG,BUTTON ,CAB LINER HOLES ,(2)
NI	241591701	LOUVER
NI	5303305345	PAINT,TOUCH-UP ,BLACK

## REFRIGERADOR WW MOD. PHSC239DSB0

## REJILLAS Y CAJONES



**REFRIGERADOR WW MOD. PHSC239DSB0**

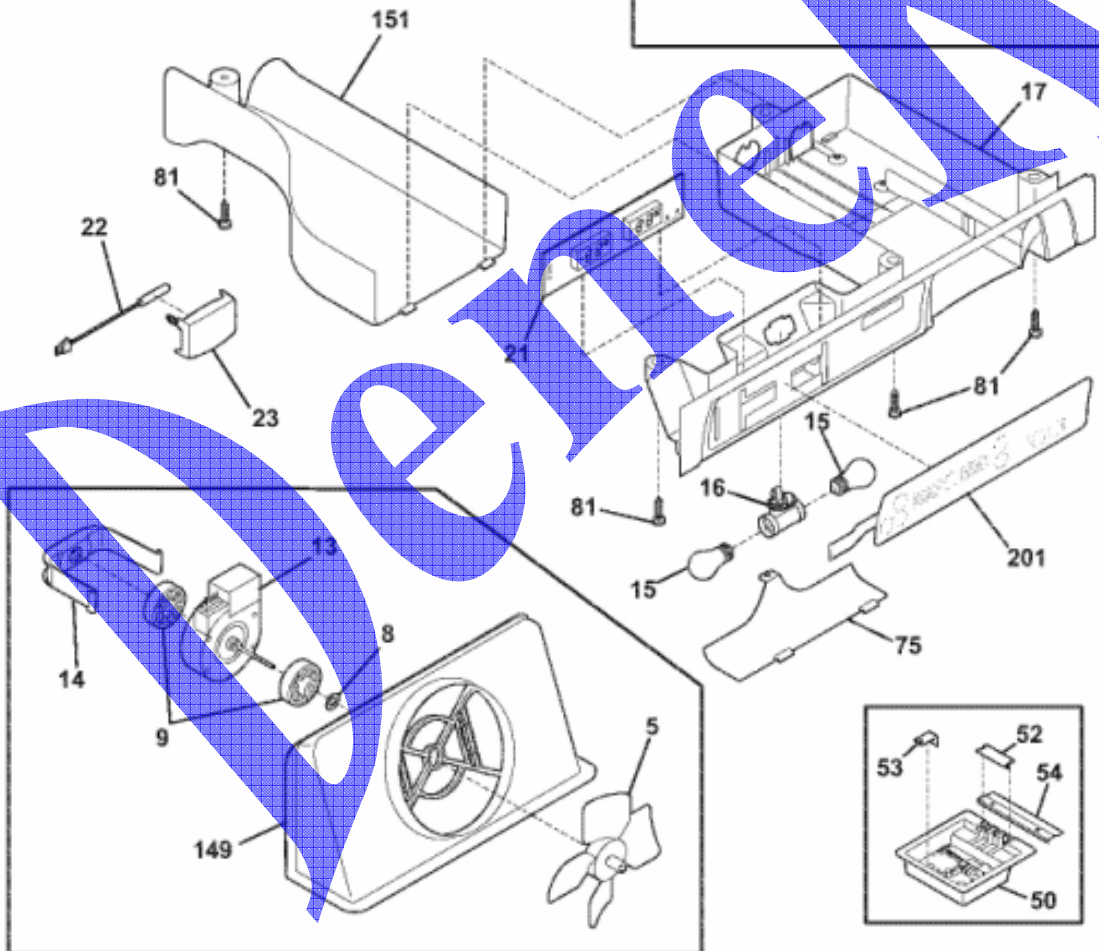
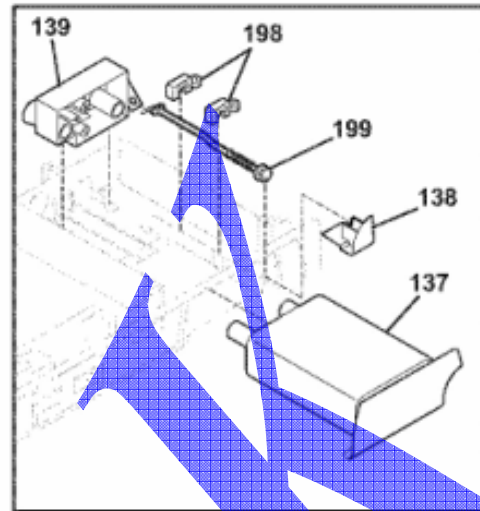
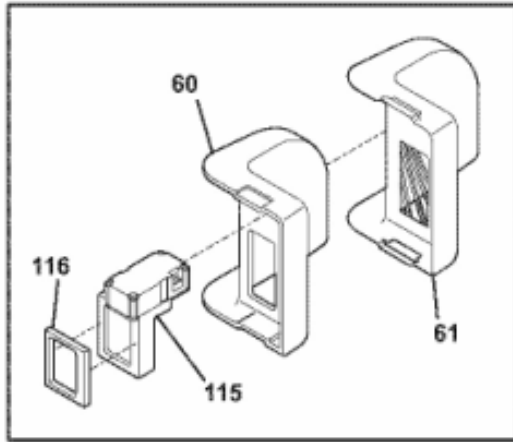
**REJILLAS Y CAJONES**

NUMERO	N.DE PARTE	DESCRIPCION
2	241510605	TRIM-BASKET
11	240443353	SHELF-FREEZER, GLASS ,LOWER
11A	240443354	SHELF-FREEZER, GLASS ,UPPER
16	241507803	SOCKET-LIGHT
NI	241513101	HARNES-WIRING
24	240355239	SHELF-"SPILL SAFE",FIXED
24B	240350126	SHELF-"SPILL SAFE",CANTILEVER,SLIDING
24C	240424607	SHELF-"SPILL SAFE",SLIDING,"ASPECT",COMPLETE
25	240599301	COVER-CRISPER PAN,UPPER
NI	240362101	CLIP-SLIDE,COVER-CRISPER
25A	240350902	COVER-CRISPER PAN,LOWER
25B	240599801	COVER-MEAT PAN
26	240351022	PAN-CRISPER,UPPER
NI	240349801	CLIP-SLIDE,PAN-CRISPER
NI	240423101	CHANNEL DIVIDER
NI	240423201	RETAINER
NI	240423301	DIVIDER-CRISPER PAN
26A	241552301	CONTROL-HUMIDITY
F26A	241552401	FRAME-HUMIDITY CONTROL,UPPER
27	240351219	PAN-CRISPER,LOWER
27A	240362201	CONTROL-HUMIDITY
39	240367603	TRIM-SHELF,11.65",FRONT
41	241571201	TRIM-SHELF,REAR
47	240350602	INSERT-PAN COVER, GLASS
47A	240350603	INSERT-PAN COVER, GLASS
47B	240443352	INSERT-PAN COVER, GLASS
49	241515001	BASKET-SLIDING
49A	241528001	BASKET-SLIDING,UPPER,HALF
49B	241514901	BASKET-SLIDING,UPPER,FULL
51	241514501	HANGER-BASKET,RH
51A	241514701	HANGER-SHELF GLASS,RH
51B	240579803	HANGER-BASKET,RH
52	241514601	HANGER-BASKET,LH
52A	241514801	HANGER-SHELF GLASS,LH
52B	240579804	HANGER-BASKET,LH
60	5303207328	SCREW,HEX WASHER HEAD ,8-15A X 1.000 ,(2)
62	240599703	PAN-MEAT
81	5308016566	SCREW,HEX WASHER HEAD ,8-15A X 0.625 ,LOW PROFILE
97	241532002	WATER TANK
100	241549901	COVER-WATER TANK
101	218493100	SCREW,HEX WASHER HEAD ,8-18AB X 1-3/4
107	241513401	SHIELD-LIGHT,CRISPER
108	241513301	COVER-WIRING,CRISPER LIGHT
109	241513201	BASE-CRISPER LIGHT SOCKET
120	241504501	SHELF-ICE CREAM
121	241504701	RAIL-ICE CREAM SHELF,LH
122	241504702	RAIL-ICE CREAM SHELF,RH
123	215005100	SCREW,HANGER/RLR MTG ,8-10 X 0.438
126	218867405	CHANNEL,AUGER MTG ,LH
126	218867406	CHANNEL,AUGER MTG ,RH
136	240424502	DISPENSER-CAN,CLEAR
140	240430505	CHANNEL,WTR TUBE COVER



## REFRIGERADOR WW MOD. PHSC239DSB0

## CONTROLES



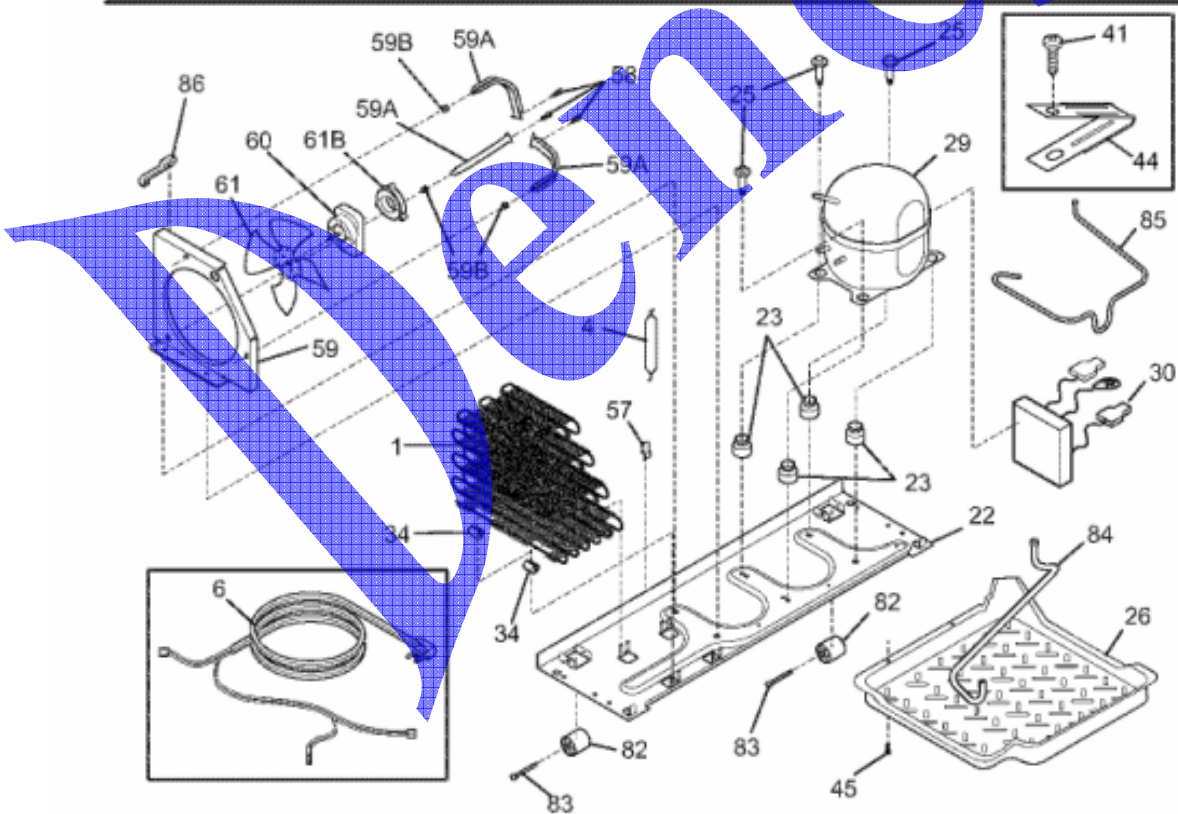
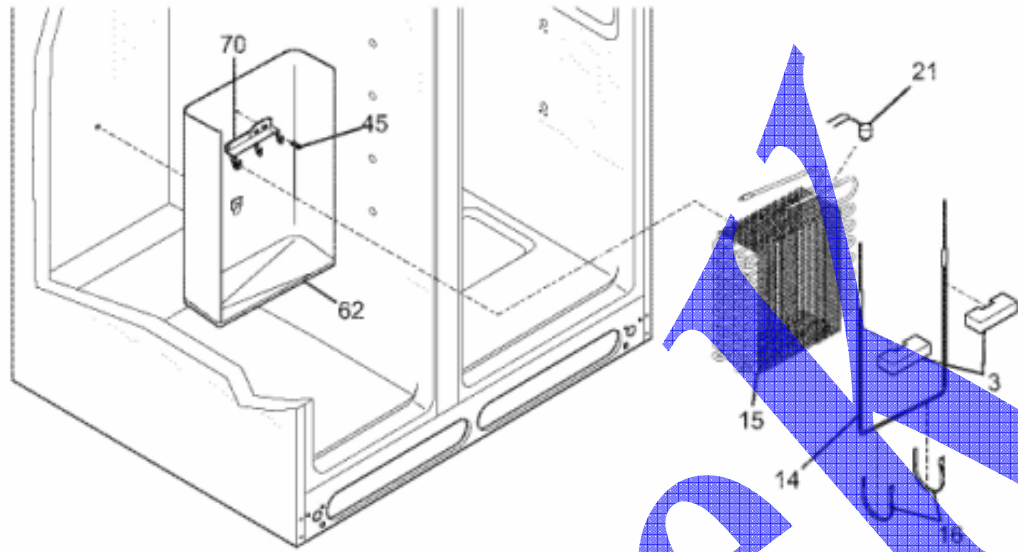
**REFRIGERADOR WW MOD. PHSC239DSB0**

**CONTROLES**

NUMERO	N.DE PARTE	DESCRIPCION
F5	5308000010	FAN BLADE,RED ,EVAPORATOR FAN
8	215474201	WASHER,"SLINGER" ,NYLON ,EVAP FAN SHAFT
9	241518301	BUSHING,MOTOR MOUNTING
13	241509401	MOTOR,EVAPORATOR FAN ,115 V
NI	241510501	SEAL-DIFFUSER
14	241517701	CLIP,EVAP FAN MOTOR
15	241552801	LIGHT BULB
16	241507803	SOCKET-LIGHT
NI	241510801	HARNES-WIRING
17	241516201	BOX-CONTROL,FRONT
F21	240596701	CONTROL,ELECTRONIC
22	240597201	SENSOR
23	241512901	COVER-SENSOR
50	241511102	BOARD-MAIN POWER
52	241532501	CLIP-HARNES
53	241509101	BRACKET
NI	241524802	SEAL,HOUSING
54	241532401	CHANNEL
60	241510401	DIFFUSER-AIR, TOP
61	241511201	COVER
75	241517801	SHIELD-LIGHT
81	5308016566	SCREW,HEX WASHER HEAD ,8-15A X 0.625 ,LOW PROFILE
115	241518501	DAMPER,MOTORIZED
116	241518601	SEAL-DAMPER,FOAM
137	240396401	FILTER,WATER ,FRONT ,CASSETTE
138	240397301	BUTTON-FILTER RELEASE
F139	240526901	O-RING,WTR FILTER BASE
149	241517601	SHROUD-EVAP FAN MTG
F149	241528301	SEAL,FOAM ,EVAP FAN ASSY
151	241505001	COVER-WATER TUBE
198	240397401	RETAINER
199	240397501	ROD
F199	240398401	SPRING-FILTER RELEASE ROD
201	241544904	SWITCH-MEMBRANE
NI	3205266	EDGE PROTECTOR,WIRING HARNES
NI	240388601	ELBOW-WATER TUBE

## REFRIGERADOR WW MOD. PHSC239DSB0

## SISTEMA



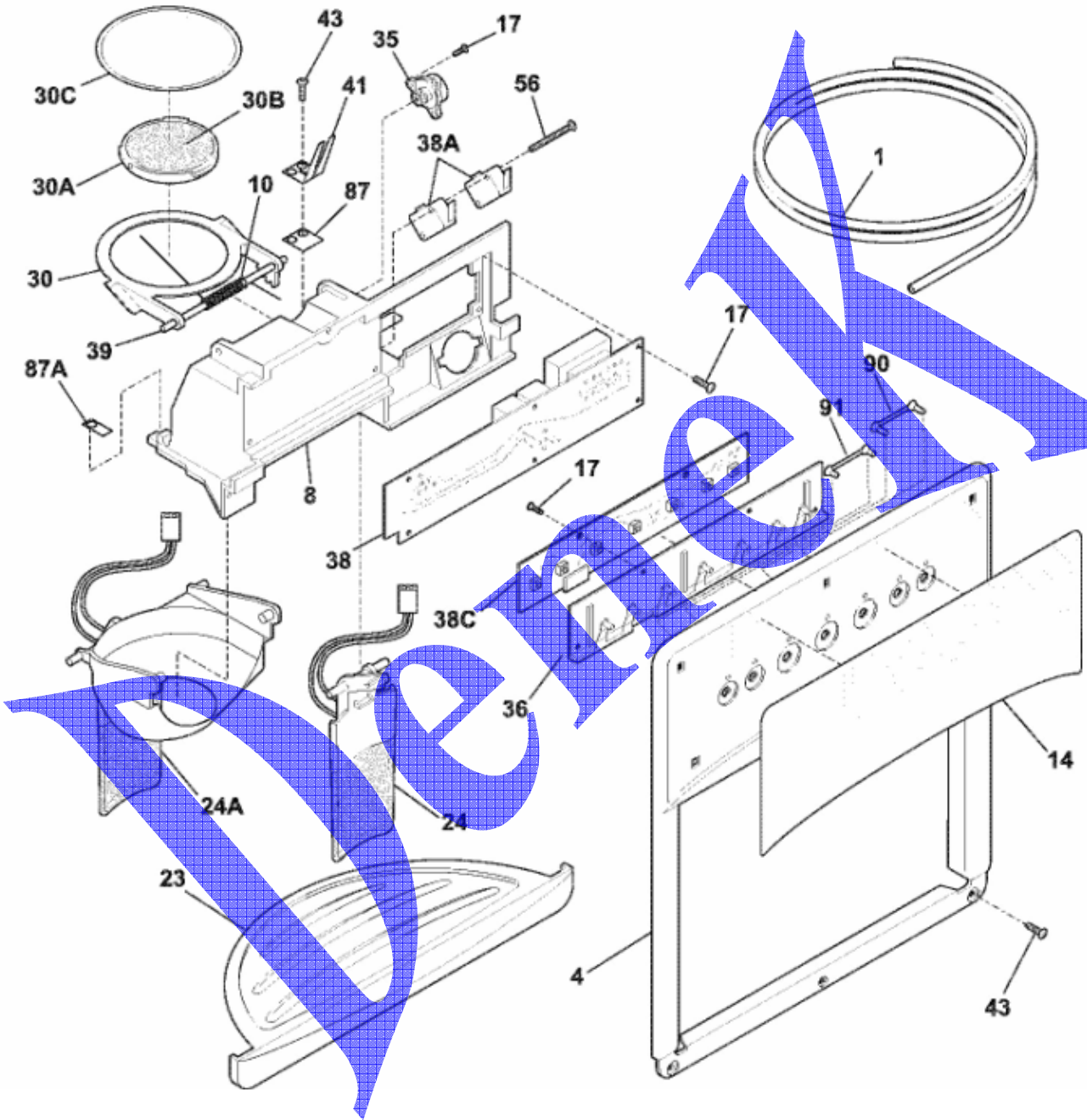
**REFRIGERADOR WW MOD. PHSC239DSB0**

**SISTEMA**

NUMERO	N.DE PARTE	DESCRIPCION
1	240333603	CONDENSER
3	218679607	BLOCK-EVAP COIL,STYROFOAM ,(2)
F4	218944001	DRIER-FILTER,R134A SYSTEM
F6	241516901	CORD SERVICE
NI	241519901	HARNESS-WIRING
NI	241543804	HARNESS-WIRING,MACHINE COMPT
F14	240316107	HEATER-DEFROST
F15	5303918284	EVAPORATOR KIT
16	5308000110	STRAP-EVAP/HEATER,ALUMINUM ,(2)
21	5303918214	THERMOSTAT-DEFROST,KIT
22	240330008	BASE-COMPRESSOR MTG
NI	218252200	SCREW,NO.8 TROSS HD ,10-32CA X 0.500
23	218513300	GROMMET-COMPR MTG,(4)
25	240491501	SCREW-COMPRESSOR MTG,1/4-28 X 1.16 ,SHOULDER,TYP CF
26	241509201	PAN-DEFROST DRAIN
F29	241547601	COMPRESSOR,W/ELECTRICALS
30	241547501	CLIP-GRILLE MTG.,NLA
34	240405201	GROMMET,RUBBER ,BLACK ,COND TUBE/WIRE
41	240555001	SCREW-NO.8-32 X 3/8
44	215174700	CLAMP-SERVICE CORD,STRAIN RELIEF ,GALV STEEL
45	5308016566	SCREW,HEX WASHER HEAD ,8-15A X 0.625 ,LOW PROFILE
57	240542601	CLIP-WIRING HARNESS
58	240569201	SCREW,8-18 X 0,500
59	240315501	SHROUD-COND FAN
NI	240346701	TAPE-FOAM SEAL,SHROUD
NI	240359401	SCREW-FAN SHROUD,(2)
59A	240346501	BRACKET-SUPPORT,COND MTR ,(3)
59B	240346601	GROMMET-BRACKET,(3)
F60	241537901	MOTOR-CONDENSER FAN
NI	240569501	SCREW,8-18 X 1 3/4 ,(2)
61	241536201	BLADE-CONDENSER FAN
61B	240564001	BRACKET-SUPPORT,COND MTR ,(3)
62	240429402	TROUGH-DRAIN
70	218990801	BRACKET-EVAP/CVR MTG
82	5304418225	ROLLER,COMPRESSOR BASE ,REAR ,(2)
83	5303316859	RIVET,FLAT HEAD ,1/4 OD X 1-3/4 ,ROLLER PIN
84	5304421068	TUBE DRAIN,LOWER
85	240553501	TUBE-CONNECTOR,SUCTION
86	240409302	SPACER-COND TUBE,BLACK
FNI	5303918300	HEAT EXCHANGER KIT,SUCTION LINE
NI	5303918222	HOT TUBE REPAIR KIT,SERVICE

## REFRIGERADOR WW MOD. PHSC239DSB0

## ICE MAKER Y DESPACHADOR



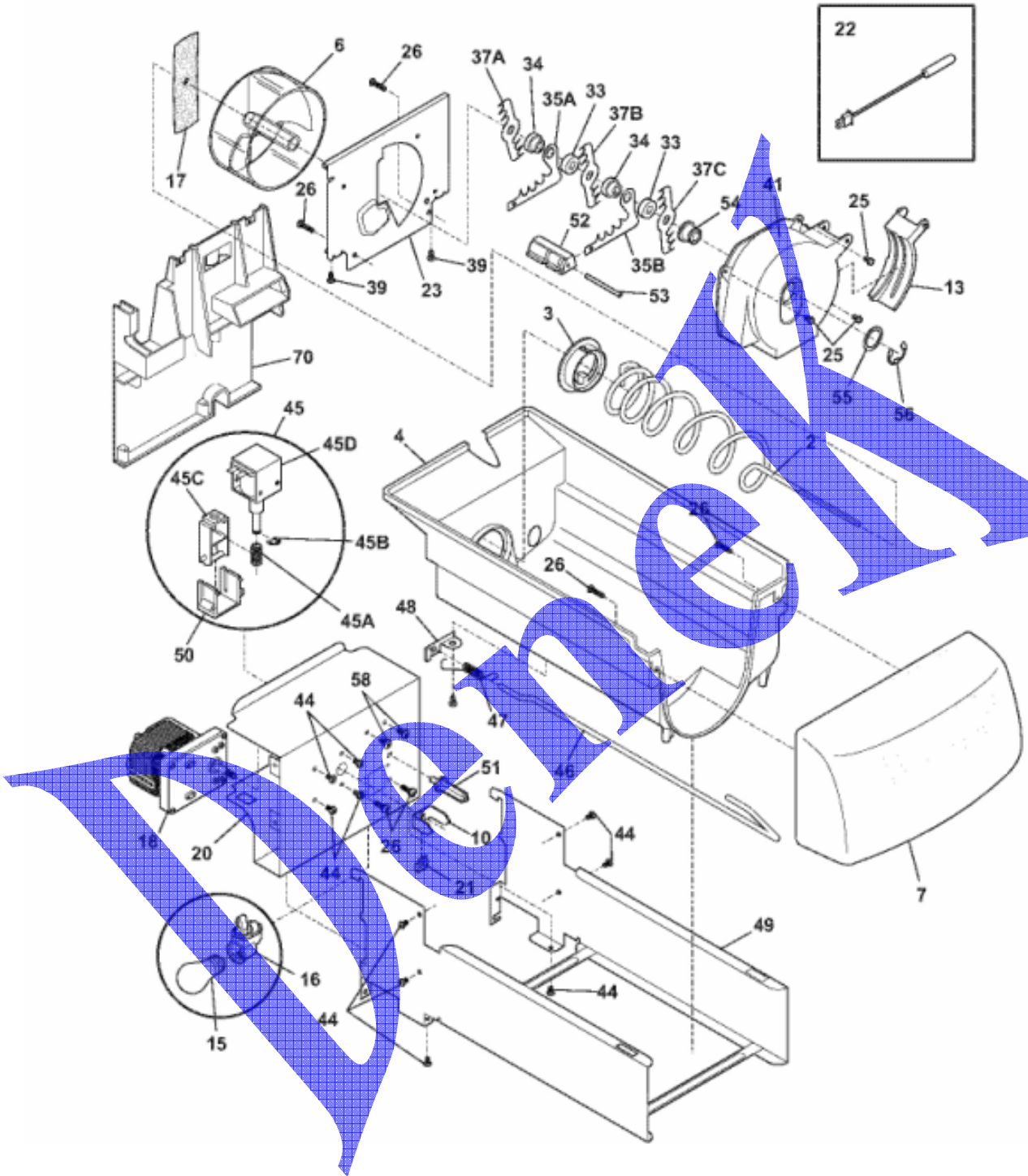
**REFRIGERADOR WW MOD. PHSC239DSB0**

**ICE MAKER Y DESPACHADOR**

NUMERO	N.DE PARTE	DESCRIPCION
1	218976409	TUBE-WATER
NI	218976901	TUBE-WATER INLET,INLET VALVE ,TO ICE MAKER
NI	218976903	TUBE-WATER INLET,INLET VALVE ,TO FILTER
NI	218976912	TUBE-WATER INLET,VALVE TO DOOR
4	5304422012	COVER-MODULE,BLACK
8	5304433616	MODULE-DISPENSER
10	5304426649	SPRING-TORSION
14	240323949	LABEL-MODULE COVER,STAINLESS
17	5304421619	SCREW
23	240323603	DRIP TRAY,BLACK
24	5304433613	ACTUATOR-WATER,BLACK
24A	5304433610	ACTUATOR-ICE,BLACK
30	5304421628	DOOR ASSY-ICE CHUTE
30A	5304421624	DOOR CENTER
30B	5304421625	INSULATION-DOOR
30C	5304421629	DOOR SEAL
35	5304421620	DAMPER-ROTARY
36	5304421824	CARRIER
38	5304433619	BOARD-POWER
F38A	5304421617	SWITCH-MICRO,SINGLE POLE ,DOUBLE THROW
38C	5304433609	BOARD-CONTROL
F38C	5304430811	HARNES-RIBBON CABLE
39	5304421627	PIN-HINGE
41	5304421829	SPRING-ACTUATOR
43	215296300	SCREW,PLASK H/L ,NO.6 X 3/8
NI	240363401	SCREW-NO.8-18 X 1/2,NO.6 HD PLASK
56	5304421830	SCREW-MICRO SWITCH,PAN HEAD
87	5304421622	BEARING PLATE
87A	5304421621	BEARING PLATE
90	5304421831	LIGHT PIPE,REFLECTOR
91	5304421850	LIGHT PIPE,REFLECTOR ,SHORT
NI	5304426535	INSULATOR-ELECTRICAL

## REFRIGERADOR WW MOD. PHSC239DSB0

## CONTENEDOR DE HIELOS



**REFRIGERADOR WW MOD. PHSC239DSB0**

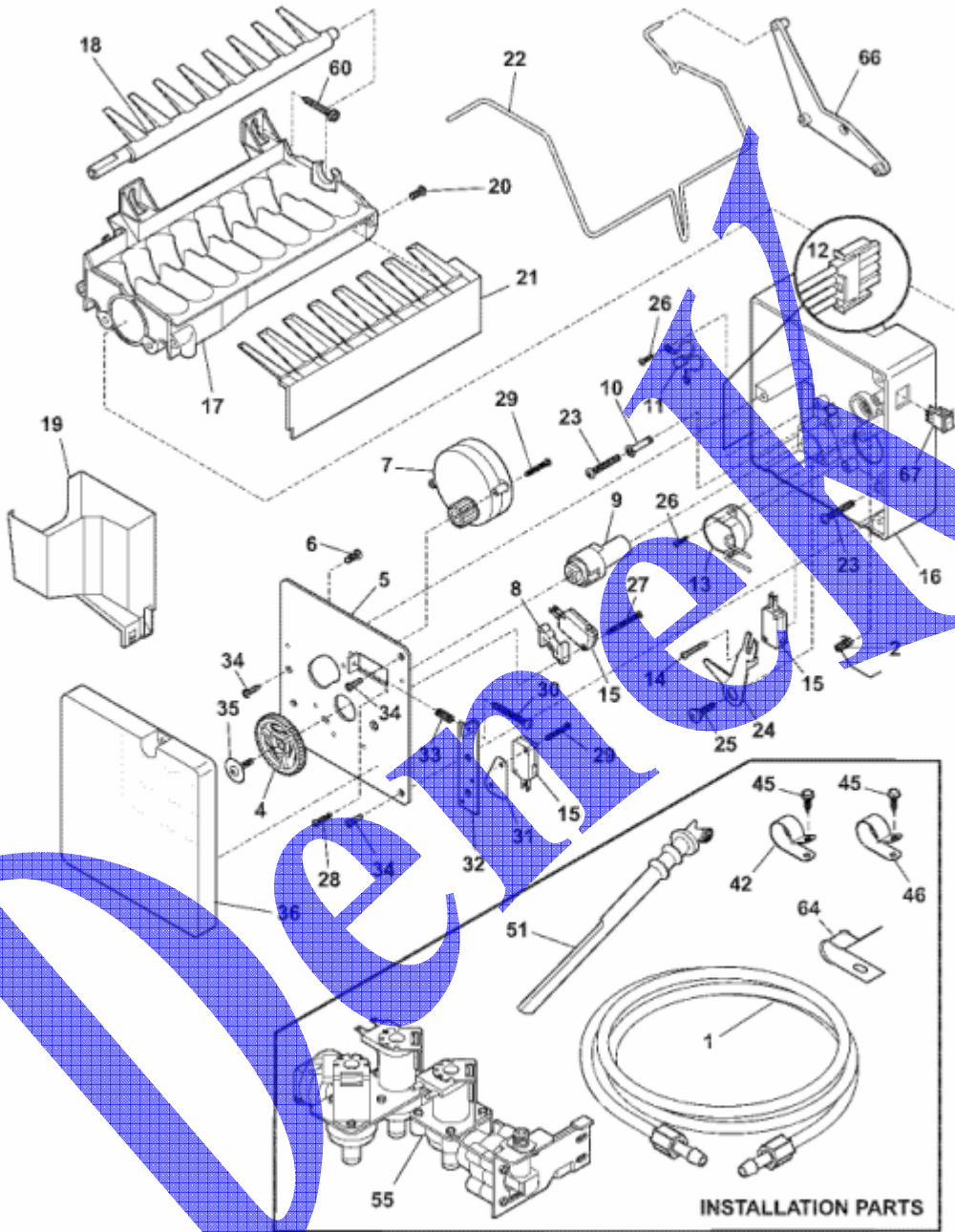
**CONTENEDOR DE HIELOS**

NUMERO	N.DE PARTE	DESCRIPCION
2	5304436634	AUGER-ICE
3	5304404343	CAM-DRIVE
4	241515201	CONTAINER-ICE,BUCKET ONLY
6	5304404346	DRUM-ICE DISP
7	241515301	FRONT-ICE CONTAINER
10	5304404337	BAR-DRIVE
13	5304404359	GATE
15	241555401	LIGHT BULB
16	5304438577	SOCKET-LIGHT
17	5304404345	DRIVE BLADE
F18	5304440392	MOTOR-AUGER
NI	241522901	HARNESS-WIRING,ICMKR/CONTAINER
20	5304404332	COVER-MOTOR
21	215285100	NUT-DRIVE
22	240597201	SENSOR
NI	241519401	CLIP,SENSOR
23	5304404347	PLATE-FRONT
25	5304404362	SCREW,HEX WASHER HEAD ,8-32T X 0.375
26	215503200	SCREW,CR PAN HD ,10-16 X 0.500
33	5304404351	SPACER
34	5304404349	SPACER
35A	5304404353	FIXED BLADE,ROUND
35B	5304404352	FIXED BLADE,SQUARE
37A	5304404348	BLADE,CRUSHER NO.1
37B	5304404350	BLADE,CRUSHER NO.2
37C	5304404356	BLADE,CRUSHER NO.3
39	5304404365	SCREW
41	5304404358	HOUSING-CRUSHER
44	218359200	SCREW,PAN HEAD ,8-32 X 0.250
F45	5304404333	SOLENOID ASSY
45A	5304406816	SPRING-SOLENOID
45B	5304406817	E-RING-SOLENOID
45D	5304406819	SOLENOID
46	5304436635	CONTROL ROD
47	5304404342	SPRING-CONTROL ROD
48	5304404340	BRACKET-CONTROL ROD
NI	5304404364	SCREW-BRACKET
49	5304436702	RAIL ASSY
50	5304404334	GUIDE-SOLENOID
51	5304404336	ROTATION STOP
52	5304404354	SPACER-FIXED BLADES
53	5304404355	PIN-SPIRAL,FIXED BLADES
54	5304404357	NUT-AUGER
55	5304404360	WASHER
56	5304404361	E-RING
58	5304404331	SCREW-SOLENOID
70	241504601	PLATE-MOUNTING
NI	240562101	INSULATOR
NI	241504301	ICE CONTAINER ASSY,W/MOVING PARTS
NI	241551601	SCREW,HEX HEAD ,8-18B X 0.875



## REFRIGERADOR WW MOD. PHSC239DSB0

## ICE MAKER



**REFRIGERADOR WW MOD. PHSC239DSB0**

**ICE MAKER**

NUMERO	N.DE PARTE	DESCRIPCION
1	218976409	TUBE-WATER
NI	218976901	TUBE-WATER INLET,INLET VALVE ,TO ICE MAKER
NI	218976903	TUBE-WATER INLET,INLET VALVE ,TO FILTER
NI	218976911	TUBE-WATER INLET,INLET VALVE ,TO FILTER
NI	218976912	TUBE WATER INLET VALVE TO DOOR
2	5304436616	SPRING,TORSION
4	3206301	GEAR
5	5304436604	PLATE-MOUNTING
6	3206305	SCREW-GROUND WIRE,8-32 X 0.250
F7	5304436619	MOTOR-ICE MAKER
8	3206312	SPACER-HOLD SWITCH
9	5304436610	DETENT
10	3206315	CLAMP
F11	5304436618	THERMAL CUTOFF,ICE MAKER ,COMPLETE ASSY
12	5304436614	HARNES-WIRING
13	5304436613	THERMOSTAT,ICE MAKER
14	5304420652	SCREW,4 X 0.750 ,SWITCH MTG.
F15	3206324	SWITCH,(3)
16	5304436609	HOUSING,CONTROL
F17	5304436617	MOLD-ICE MAKER,WITH HEATER
18	5304436607	EJECTOR-ICE
FNI	240352601	WIRING HARNESS,INTERNAL ,WITH PLUG
19	5304436606	CUP-WATER INLET
20	5304408581	SCREW,8-32 X 0.375
21	5304436608	ICE STRIPPER
22	5304436602	SHUT-OFF ARM
23	5304408582	SCREW,8-32 X 0.875 ,MOLD-TO-SUPPORT ,(3)
24	3206335	LEVER ARM
25	5304404362	SCREW,HEX WASHER HEAD ,8-32T X 0.375
26	5304420654	SCREW-THERMO/ SPRT,4-24 X 0.375 ,(4)
27	3206338	SCREW,4-40 X 1.000 ,HOLD SWITCH MTG ,(2)
28	3206339	SCREW-TIMING STOP,4-40 X 0.375
29	3206323	SCREW,4-24 X 0.750 ,(6)
30	3206341	SCREW-TIMING ADJ,8-32 X 1.000
31	3206342	INSULATOR
32	3206343	PLATE-VALVE SWITCH
33	5304436615	SPRING-THERMOSTAT
34	5304420655	SCREW,PLAZSCREW ,8-10 ,(3)
35	5304408585	SCREW
36	5304436605	COVER-ICE MAKER
42	5303001199	CLAMP-WIRING HARNESS,STRAIN RELIEF ,GALV STEEL
NI	218515402	CLIP,(2) ,TUBE MTG.
45	5308016566	SCREW,HEX WASHER HEAD ,8-15A X 0.625 ,LOW PROFILE
46	5303001193	CLAMP,.50 ID ,STEEL ,WATER TUBE
51	241523502	TUBE-WATER FILL,EXTENSION
F55	240531401	VALVE-WATER,TRIPLE SOLENOID
NI	218709100	SCREW,HEX HEAD ,10-32 X 0.500
NI	240363601	SCREW-SHOULDER
NI	240542901	CAP-WATER VALVE
60	5303001343	SCREW,HEX WASHER HEAD ,8-15A X 0.500
64	5303001549	CLAMP,0.31 ID ,STEEL ,COPPER WTR LINE
66	5304436611	BRACKET-ICE MAKER
67	5304436612	SWITCH,ON/OFF
NI	218888001	ADAPTER-WATER SUPPLY,NUT & SLEEVE ,COMPRESSION FTG
NI	240599901	ICE MAKER,RADIUS CUBE ,115 V ,NO INSTL PARTS
NI	241583301	DEFLECTOR-AIR,ICE MAKER