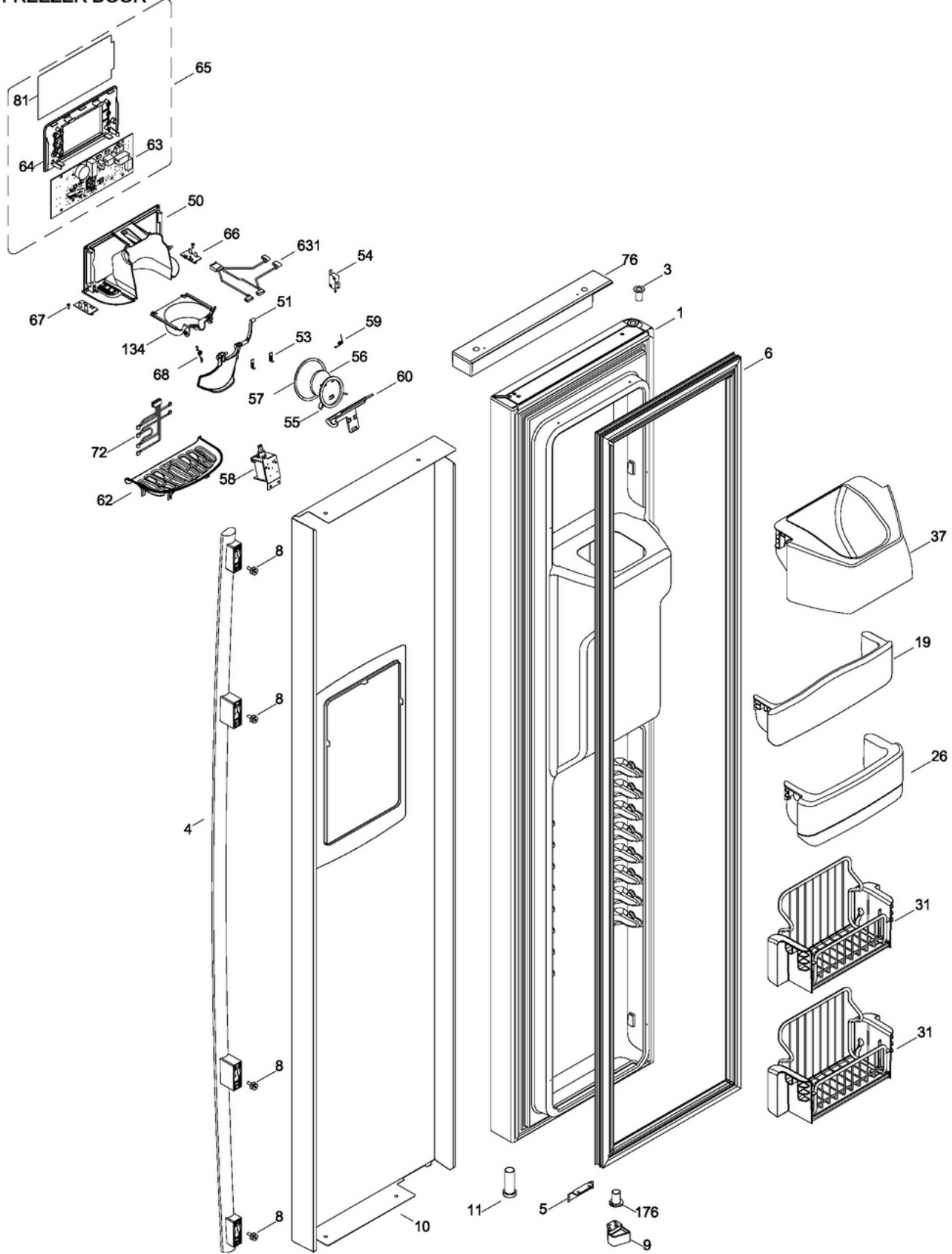
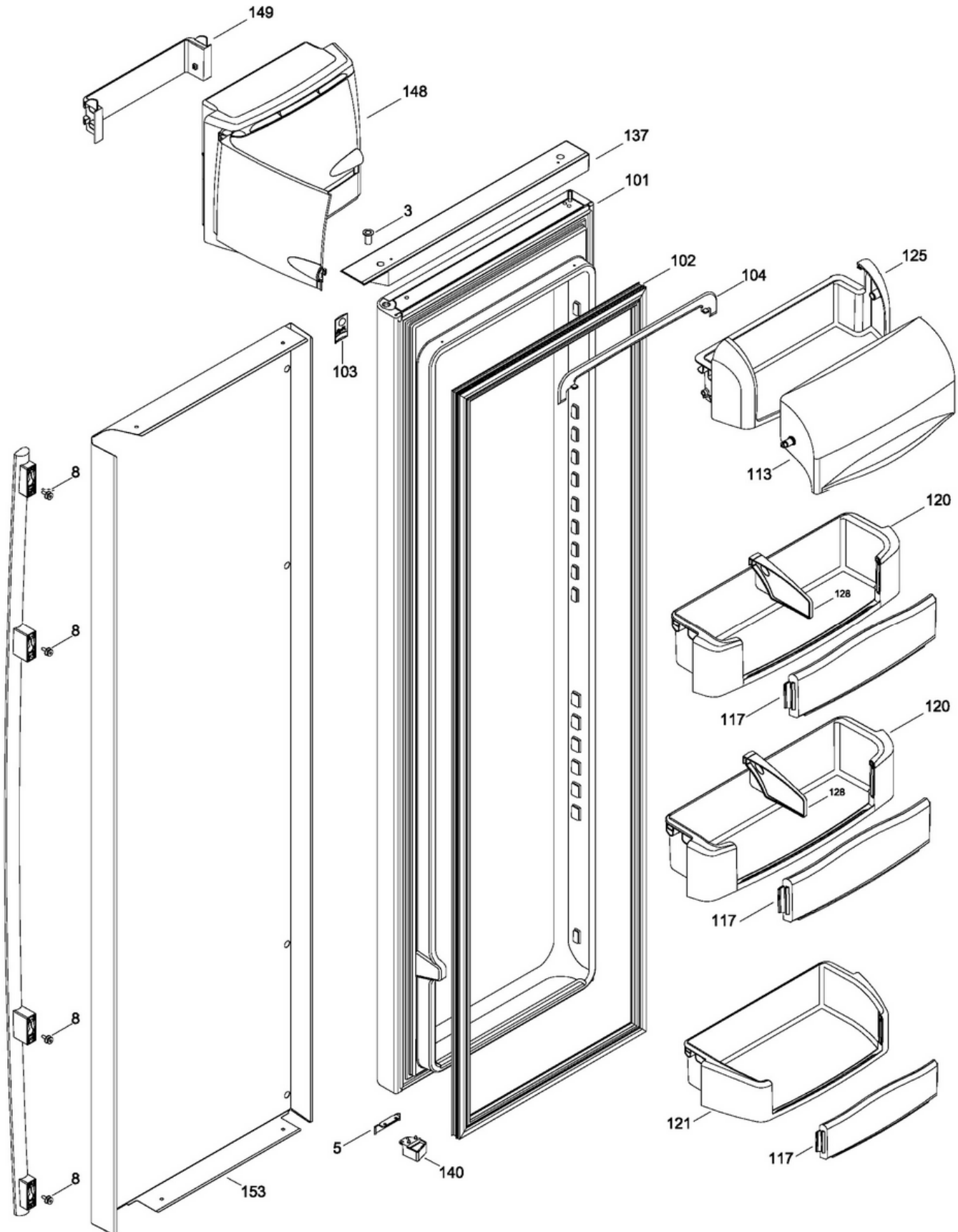


REFRIGERADOR PIM25PGTF GV

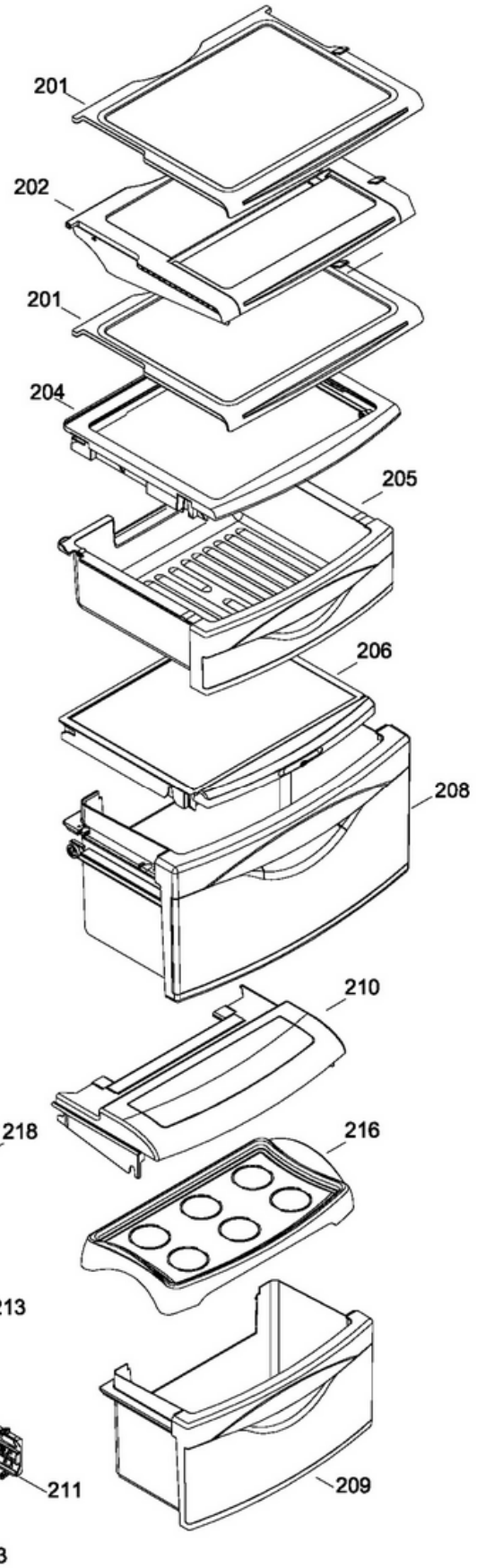
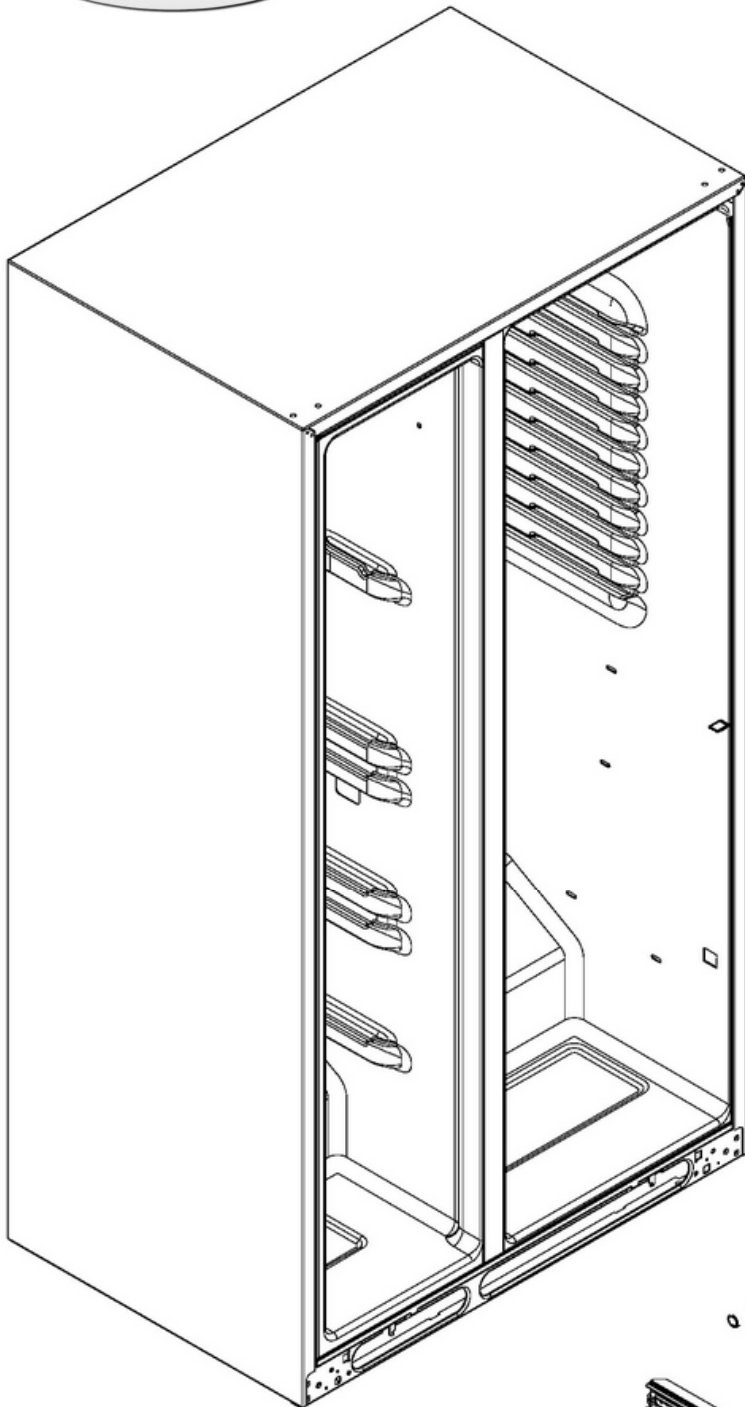
PUERTA CONGELADOR FREEZER DOOR



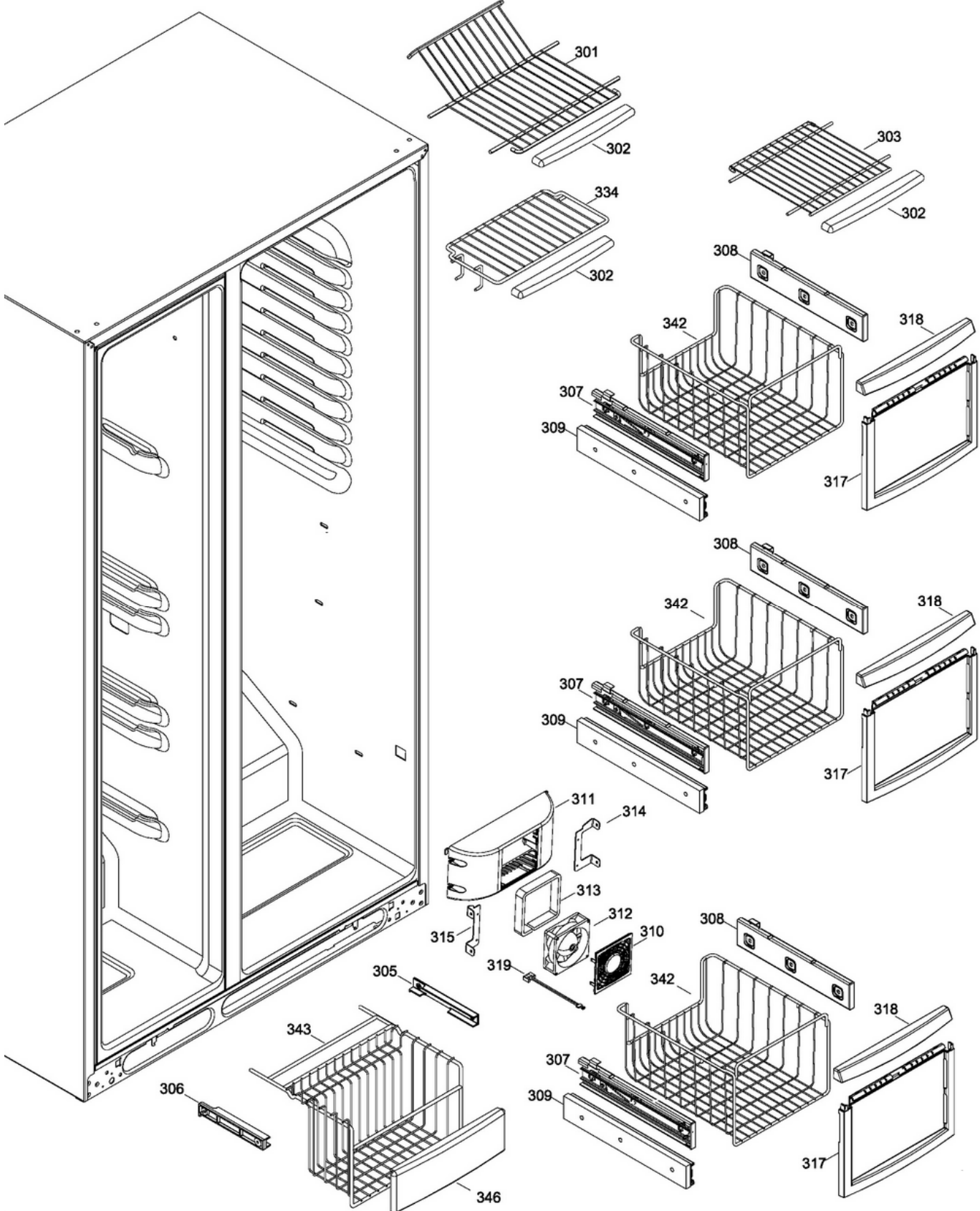
REFRIGERADOR PIM25PGTF GV



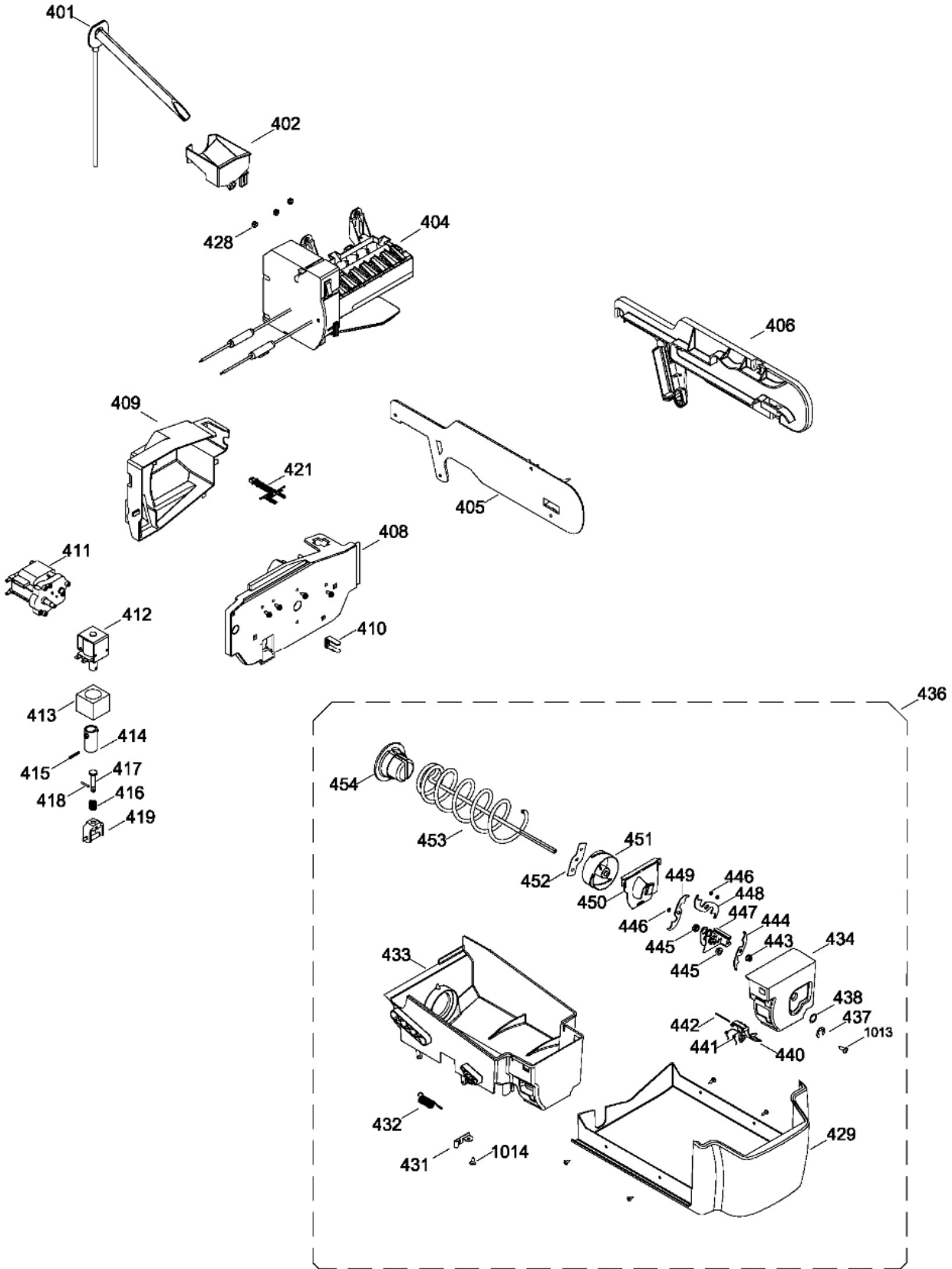
REFRIGERADOR PIM25PGTF GV



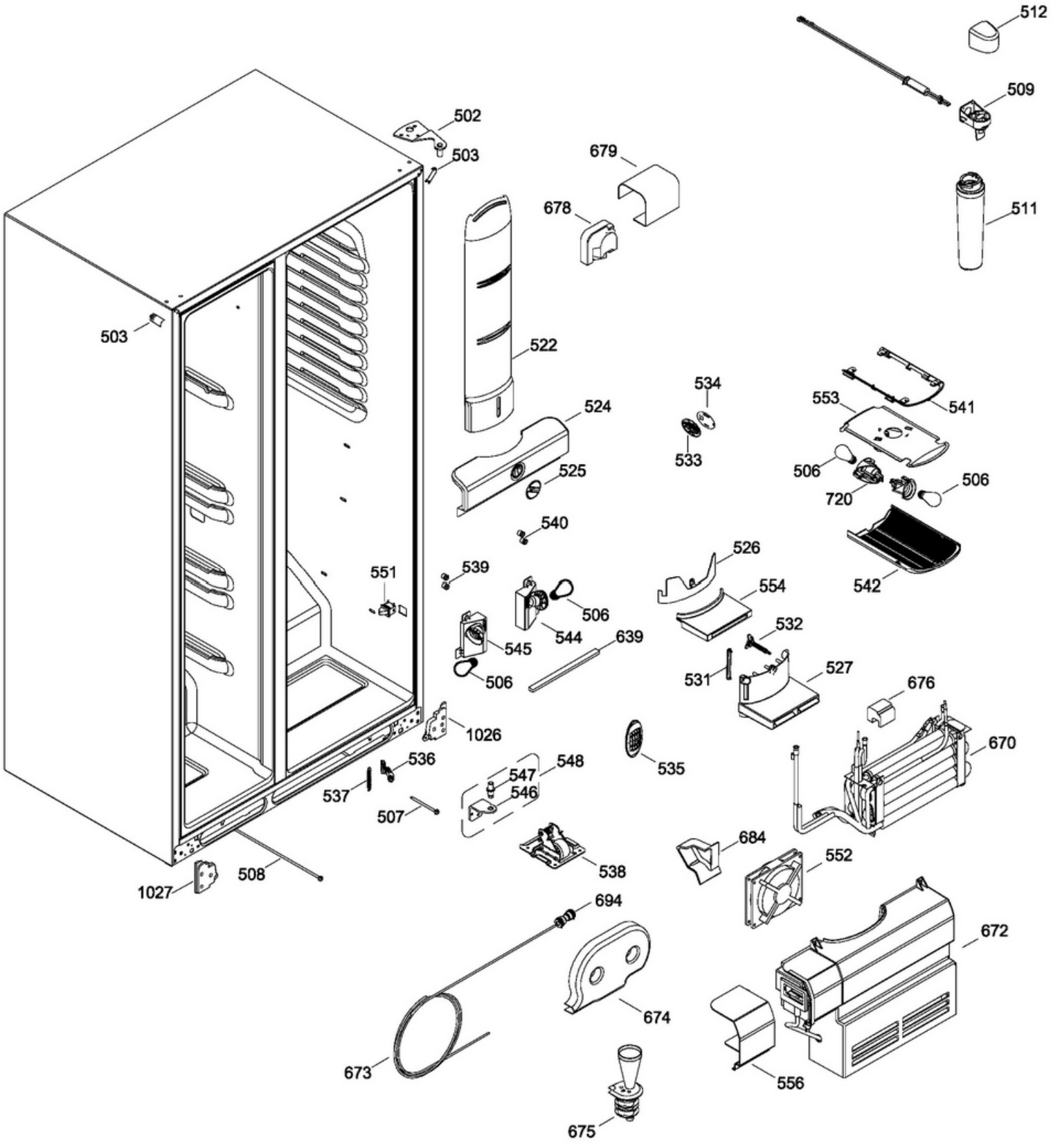
REFRIGERADOR PIM25PGTF GV



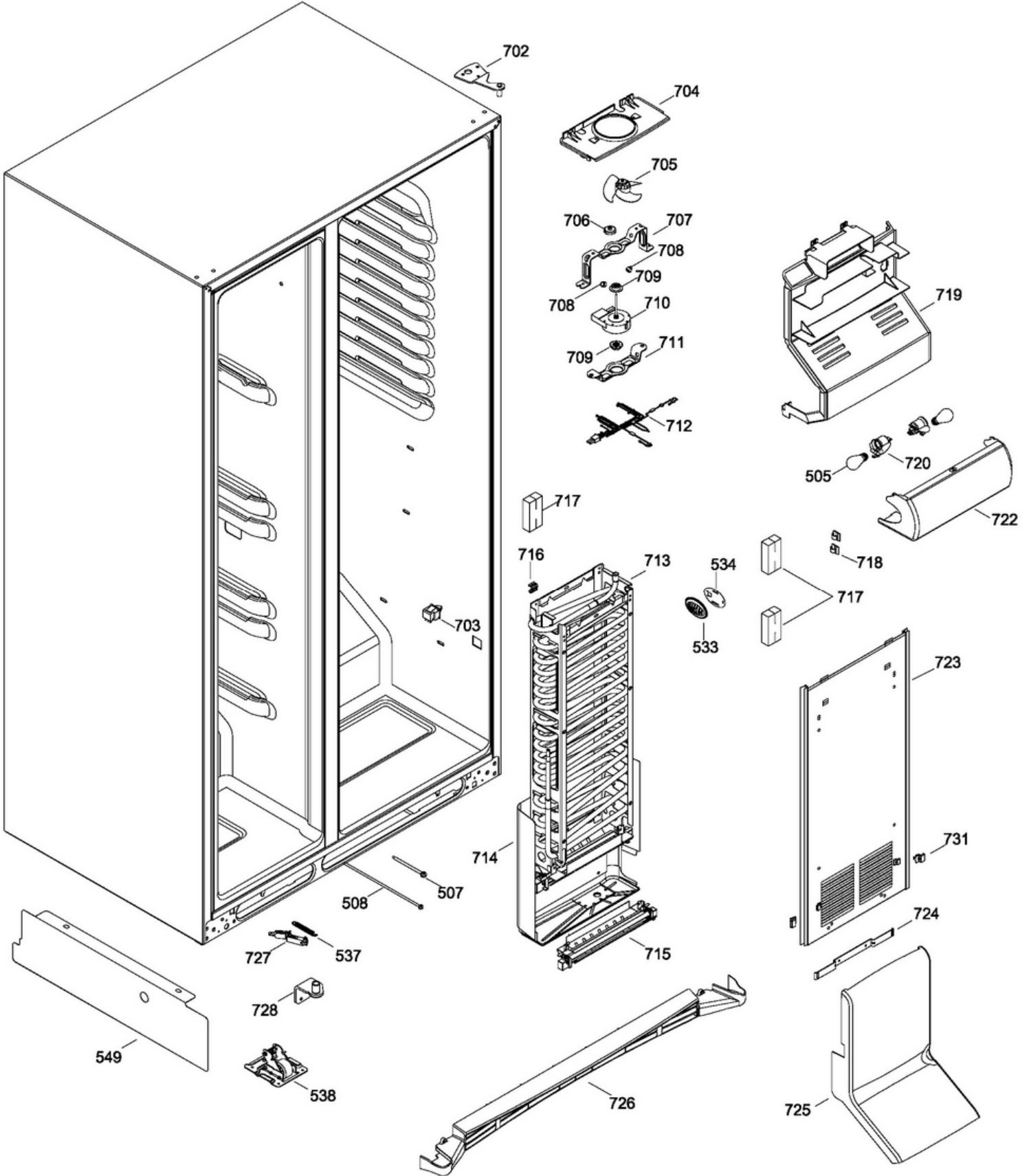
REFRIGERADOR PIM25PGTF GV



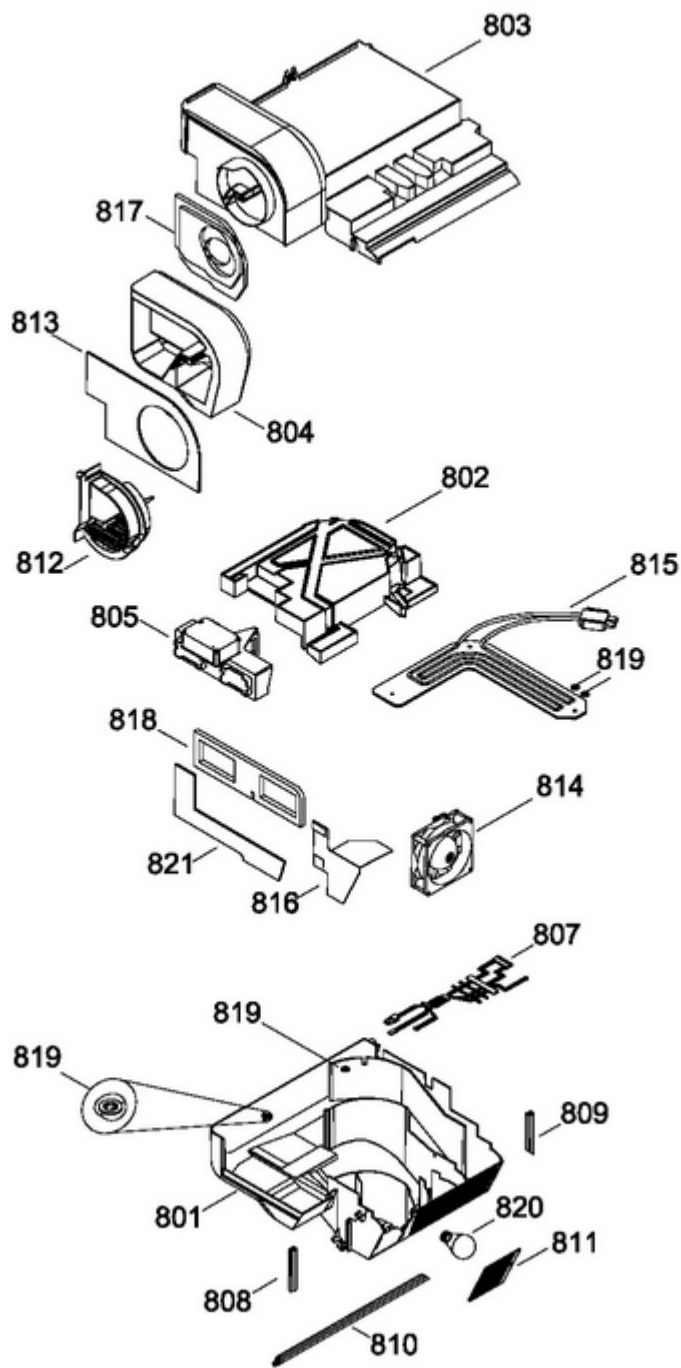
REFRIGERADOR PIM25PGTF GV



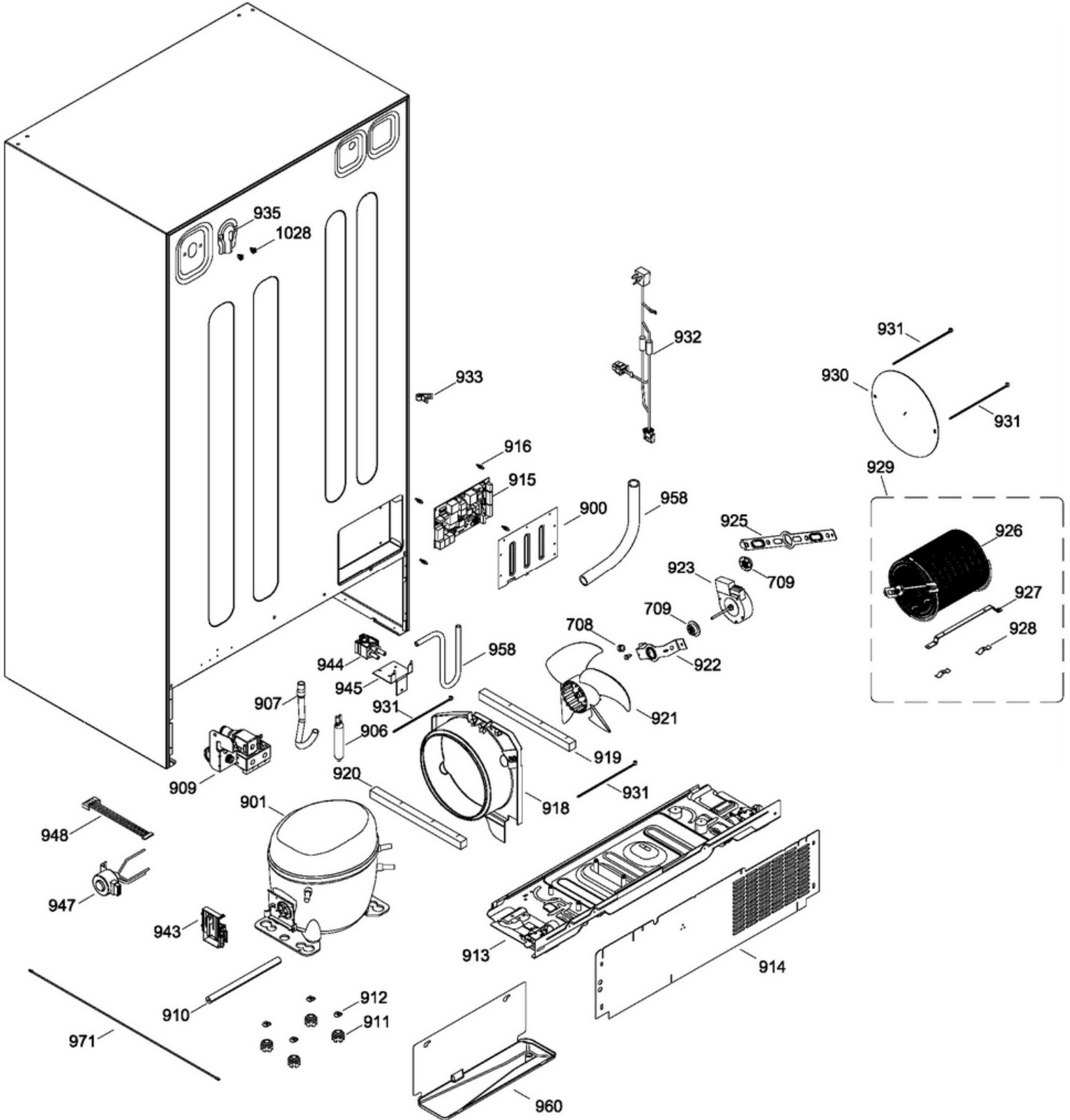
REFRIGERADOR PIM25PGTF GV



REFRIGERADOR PIM25PGTF GV



REFRIGERADOR PIM25PGTF GV





REFRIGERADOR PIM25PGTF GV

Guía	Componente	Descripción
1	200D5969G048	DOOR FOAM ASM FZ FLA
3	238C1017P027	BUJE PUERTA
4	225D1272G001	HANDLE CLAD FZ ASM
5	203C6714P002	TOPE PUERTA
6	200D5288P014	GASKET FZ DOOR WH
7	225D1271G001	HANDLE CLAD FZ ASM
8	203C5496P005	TORNILLO
9	200D1389P007	LEVA CIERRE
10	200D9264G008	CUBIERTA EXTERIOR DE ACERO CON
11	238C1160P003	BUJE INF. PUERTA CONG.
19	200D5324P001	MODULE SHELF FF FIXED
26	200D5323P001	MODULE SHELF FZ FIXED
31	197D4588G009	ENS. MODULO CONG.
37	200D5599P001	GUIA HIELO
50	200D7382P004	HOUSING SHIELD DISP
51	200D7356P006	PADDLE ICE DISP
52	200D7346P001	EMBUDO HIELOS DISP
52	245D2378P001	EMBUDO HIELOS DISP
53	243B1862P002	DESCANSO RETENEDOR PUERTA
54	243B2524P003	INTERRUPTOR DEL DESPACHADOR
54	WR23X10783	INTERRUPTOR DEL DESPACHADOR
55	203C3396P002	DESCANSO PUERTA INF.
56	243B1852P001	DESCANSO PUERTA AISLANTE
57	203C3397P004	INSERTO MOLDURA DESPACHADOR
58	203C6017G003	SOLENOIDES ENSAMBLE
59	203C6018P002	RESORTE DE PUERTA DESPACHADOR
60	203C6020P001	MANIVELA PUERTA DISP.
62	200D7803P003	GRILL RECESS
63	225D1384G006	TARJETA DISPENSADOR
64	200D7971P001	BRACKET LCD
65	200D9552G001	DISPENSER CONTROL LCD AS
66	200D6129G003	ENS. TARJETA LUZ DISP.
67	355B2502P001	REMACHE
68	238C2880P001	RESORTE TORSION
72	200D7420G003	ARNES DESCANSO DISP.



REFRIGERADOR PIM25PGTF GV

Guía	Componente	Descripción
76	200D5645P001	MOLDURA SUP. PUERTA CONG.
81	200D9687P001	MEMBRANA LCD
101	200D5966G012	DOOR FOAM ASM FZ FLAT
102	200D5288P013	GASKET DOOR FF WH
103	238C2326P001	LENS NAMEPLATE
104	200D4881P001	MOLDURA COMPARTIMENTO LACTEO
113	200D4825P001	PUERTA MANTEQUILLERA
117	200D1001P003	ANAQUEL VENTANA
120	200D5618P001	ANAQUEL REFRIGERADOR
121	200D5619P001	ANAQUEL REFRIGERADOR
125	200D5620P001	COMPARTMENT DAIRY
128	197D2493P001	SEPARADOR BOTELLAS
137	200D5646P001	TRIM TOP DOOR FF
140	200D1389P003	LEVA CIERRE
148	200D6076G003	BEVERAGE CENTER ASM
153	200D9263G007	CUBIERTA EXTERIOR DE ACERO REF
176	238C1017P024	BUJE PUERTA
201	200D1439G003	SHELF SLIDEOUT ASM
202	200D1189G025	SHELF TUCKAWAY ASM
204	200D1110G010	COVER TOP PAN A
205	200D1106G011	ENSAMBLE CAJON
205	WR32X26198	ENSAMBLE CAJON
206	200D1115G012	CUBIERTA CAJON INTERMEDIO ENS
208	200D2536G013	CAJON INTERMEDIO ENSAMBLE
209	200D4765G005	CAJÁ%u201CN DE ENFRIAMIENTO ENS
209	WR32X26238	CAJÁ%u201CN DE ENFRIAMIENTO ENS
210	200D4831G005	COVER PAN ASM.
211	200D4771G007	ENS. RIEL SOPORTE
212	200D4771G008	ENS. RIEL SOPORTE
213	200D4774G001	ENS. SEP. RIEL
216	200D4663P001	TRAY CUSTOM COOL
218	238C1213P001	RUEDA CAJON Y CUBIERTA
301	200D6031P001	SHELF ADJUSTABLE FZ
302	200D1508P003	REMATE PARRILLA CONG.
305	200D4212P003	SOPORTE DESLIZABLE CANASTA



REFRIGERADOR PIM25PGTF GV

Guía	Componente	Descripción
306	197D3089G017	FILTRO DE AGUA
306	200D4212P004	SOPORTE DESLIZABLE CANASTA
307	200D2189G011	SLIDE BRACKET RIGHT ASM
308	200D2189G012	SLIDE BRACKET RIGHT ASM
309	200D3871G002	SPACER SLIDE ASM
310	200D8215P001	PARRILLA VENT.
311	200D8212P001	HOUSING FAN FAST FREEZE
311	200D7333G001	TUBE IM FILL
312	355B1130P003M	VENTILADOR REFRIGERADOR
313	355B1018P023	TIRA DE ESPUMA
314	200D8214P001	BRACKET FAN HOUSING RH
315	200D8214P002	BRACKET FAN HOUSING LH
317	200D8595P001	COVER FRONT
318	200D8596P001	HANDLE
319	200D9335G001	HARNESS FAST FREEZE JAMP
334	200D1352P020	SHELF FIXED FZ
338	238C2613P002	DUCTO PARRILLA
342	200D8594P002	BASKET CUSTOM FZ
343	200D2180P006	BASKET WIRE FZ
344	200D2052P009	JALADERA
357	200D7660G013	HARNESS AC FZ INTERMEDIA
402	238C1083P016	CUP FILL IM
404	197D7636G002	ICEMAKER ASM
404	197D7636G007	ICEMAKER ASM
404	197D7636G023	ICEMAKER ASM
405	200D7843P001	CAJON DESLIZANTE IZQ.
406	200D7844P001	CORREDERA CAJON DER.
408	200D9631P001	CUBIERTA FTAL DEL MOTOR
409	200D9632P001	CUBIERTA POST DEL MOTOR
410	197D5953P003	DRIVE AUGER DISP
411	200D1064P020	MOTOR CRUSHER DISP
412	203C3246G001	ENS. SOLENOIDE Y BRAZO
413	643409P01	SOLENOIDE
414	238C3518P001	COLLAR SOLENOID DISP
414	245D1684G001	COLLAR SOLENOID DISP



REFRIGERADOR PIM25PGTF GV

Guía	Componente	Descripción
415	870736P01	PIN SPIRAL
416	870477P01	RESORTE DE CONEXION SOLENOIDE
417	870475P01	PISTON SOLENOIDE
418	870465P01	PIN SPIRAL
419	650100P01	ESTRIBO SOLENOIDE
421	200D1042G011	ARNES MOTOR Y SOLENOIDE
428	866160P03	SELLO GOMA
429	200D4596P001	COVER BUCKET BOTTOM
431	203C5599P001	SUJETADOR RESORTE
432	203C5771P002	SPRING DEFLECTOR
433	200D4652P002	CUBO HIELOS DISP.
434	197D2264P002	CAJA TRITURADORA
436	200D4841G004	BUCKET & AUGER ASM
437	870402P02	RETENEDOR ANILLO
438	870407P04	RONDANA
440	197D2263P003	DEFLECTOR DESPACHADOR DE HIELO
441	643499P01	RESORTE DEFLECTOR HIELO
442	870417P01	PERNO DEFLECTOR DISP.
443	238C1340P002	TUERCA TRITURADOR DISP.
444	643918P01	CUCHILLAS MOVILES DISP.
445	870411P01	ESPACIADOR TRITURADOR
446	870412P01	ESPACIADOR TRITURADOR
447	197D2257G001	ENS. BASE (BUCKETS)
448	643918P02	CUCHILLAS MOVILES DISP.
449	643918P03	CUCHILLAS MOVILES DISP.
450	200D4662P001	CUBIERTA TRITURADORA
451	200D4644P001	HELICE
452	200D4645P001	SEGURO HELICE
453	200D4660P001	AUGER HELIX DISP
454	238C2348P001	TAZA LLENADO FABRICA HIELOS
502	238C2641G007	ENS. BISAGRA SUP. PERNO
503	200D1623P005	CUBIERTA ESQUINERO
505	866354P033	FOCO
506	866354P034	FOCO
506	225D9332P001	FOCO



REFRIGERADOR PIM25PGTF GV

Guía	Componente	Descripción
506	355B4667G001	LAMPARA LED
507	238C1241P004	TORNILLO MOVIL
508	238C1241P005	TORNILLO MOVIL
509	200D5285G005	ENS. FILTRO Y TUBO
511	238C2334P003	WATER FILTER CARTRIDGE
511	238C2334P006	WATER FILTER CARTRIDGE
512	200D9239P001	COVER WATER FILTER
522	200D5003G003	AIR TOWER ASM
524	200D2396P008	LIGHT SHIELD
525	355B1166P001	PERILLA CAJON ENFRIAMIENTO
526	355B1066P002	REGULADOR CAJON ENFRIAMIENTO
527	200D5014P001	DISCHARGE PAN CHILL
531	355B1164P001	ENLACE CAJON ENFRIAMIENT
532	200D2014P001	CARATULA TABLERO ENFRIAMIENTO
533	238C1095P001	REJILLA SENSOR
534	355B1263P001	CUBIERTA SENSOR
536	238C1163G003	PALANCA CIERRE PTA.ENFRIADOR
537	203C4137P002	RESORTE CIERRE PUERTA
538	200D1253G005	ENS. MOVIL FRONTAL
539	238C1674P002	GROMMET BASE GRILLE
540	238C1674P001	SELLO GOMA BASE PARRILLA
541	200D4966P001	CUBIERTA LUZ DIFUSORA
542	200D4967P001	SHIELD LIGHT FF
544	200D7745G001	REFLECTOR ASM MIDDLE
545	200D7745G002	REFLECTOR ASM MIDDLE
546	238C1021P009	BISAGRA INF.
547	238C1158P002	PERNO BISAGRA INF. AJUST
548	238C1037G016	BISAGRA Y PERNO INFERIOR ENS
548	238C1037G016P	BISAGRA Y PERNO INFERIOR ENS
549	200D9354P001	DIVISOR AIRE HS
551	200D2547P004	INTERRUPTOR LUZ INT.
552	200D4692P003	FAN DC EVAP FF
553	200D5038G009	REFLECTOR SUPERIOR ENS.
554	200D4699P001	EPS ESPUMA INTERIOR
556	238C2567P001	COVER EPS BVR CTR



REFRIGERADOR PIM25PGTF GV

Guía	Componente	Descripción
639	355B1018P012	FOAM STRIP SE ADH
670	197D2372G009	SISTEMA DE BAJA PRESION
672	200D5002G004	COVER EVAP ASM
672	200D5002G007	COVER EVAP ASM
673	200D4911G004	COVER TANK WATER COIL AS
674	200D4916P002	COVER WATER TANK
675	200D7665G005	GROMMET DRAIN TUBE ASM
676	200D7016P001	BLOCK EVAPORATOR
678	238C2336G003	BLOCK AIR RETURN ASMB
679	238C2359P003	COVER BLOCK AIR RETURN
682	200D5703P003	ADAPTER BVR CTR
684	200D5870P001	INSUL GRILL MULLION
694	197D3216P003	UNION CONNECTOR
695	197D3216P004	UNION CONNECTOR
702	238C2641G008	ENS. BISAGRA SUP. PERNO
703	197D2805P007	INTERRUPTOR CONGELADOR
704	238C1461G001	ORIFICE FAN ASM
705	197D3131G007	ASPA DE VENTILA
706	203C5482P002	CUBIERTA POLVO PARA MOTOR VENT
707	238C1285P003	BRACKET ORIFICE FAN
708	123C8091P002	PARACHOQUES TAPA
709	203C5909P003	GROMMET EVAP FAN
710	197D4968G009	MOTOR DC EVAP FAN ASM
711	203C5645P006	BRACKET EVAP FAN BTM
713	197D2374G029	SISTEMA DE BAJA PRESION
714	200D5459G001	CHAROLA DE DESHIELO
715	203C5543G003	ENS. RESISTENCIA Y SOPORTE
716	203C5682P001	CLIP SENSOR EVAPORADOR
717	355B1306P003	BLOQUE SELLO EVAPORADOR
718	644334P03	CLIP ADHESIVO
719	200D2577G044	CUBIERTA FRONTAL DEL EVAPORADO
720	162D5209G004	ENS. TERMINAL SOCKET
722	200D4667P001	PROTECTOR FOCO CONG.
722	200D4667P002	PROTECTOR FOCO CONG.
723	200D2122G023	CUBIERTA EVAPORADOR ENS.



REFRIGERADOR PIM25PGTF GV

Guía	Componente	Descripción
724	238C1787P001	SOPORTE INF. TORRE AIRE
725	200D3172P002	TORRE INF. AIRE
726	200D1263P027	FALDON REFRIGERADOR
727	238C1163G007	ENS. PALANCA CIERRE
728	238C1036G007	ENS. PERNO BISAGRA INF.
731	238C1651P001	SOPORTE SUP. TORRE AIRE
801	200D1939P005	CUBIERTA INF.
802	200D6497P003	CUBIERTA PLENUM
803	200D1942P001	CUBIERTA SUPERIOR
804	200D7453P001	CAVIDAD DUCTO ENFRIAMIENTO
805	200D5928P002	ENS. APAGADOR
807	200D7655G003	ARNES DC CONG.
808	238C1376P001	SELLO CONTROLADOR AIRE
809	238C1376P002	SELLO CONTROLADOR AIRE
810	238C1376P003	SELLO CONTROLADOR AIRE
811	238C1506P001	BULBO PARRILLA ENFRIADO RAPIDO
812	238C1745P001	GRILL MULLION
813	238C1876P001	SELLO LC
814	355B1130P002	VENTILADOR ENFRIADO RAPIDO
815	355B1131P005	HEATER THAW
816	355B1132P001	REFLECTOR
817	355B1133P001	SELLO DUCTO MANGUETE
818	355B1134P002	SELLO AMORTIGUADOR ENFRIADO
819	355B1312P001	RONDANA RETENEDORA
820	355B1338P001	LAMP 40W CHI
821	238C1875P001	SELLO LC
900	200D1577G007	ENS. CUBIERTA TARJETA
901	200D3993P009	INVERTER COMPRESSOR EMBRA
901	200D3993P026	INVERTER COMPRESSOR EMBRA
901	200D3993P029	COMPRESOR INVERTER
906	162D9086P007	DRYER BIFURCATED XH9
907	238C1355P002	TUBO DESHIELO
909	197D2638P010	VALVULA PARA AGUA
910	243B2228P018	AISLAMIENTO TUBO DE SUCCION
911	203C5262P001	ARANDELA COMPRESOR



REFRIGERADOR PIM25PGTF GV

Guía	Componente	Descripción
912	871516P006	CLIP COMPRESOR
913	197D2034G055	ENS. PLACA BASE MONTAJE RUEDAS
914	197D6898P004	CUBIERTA ACCESO
915	200D4864G045	BOARD ASM MAIN CONTROL
916	355B1046P002	SEPARADOR AISLANTE
918	197D4357P005	CUBIERTA CONDENSADOR
919	870963P203	FOAM STRIP SE ADH
920	870963P220	CINTA ESPUMADA
921	197D3453G005	ASPA DE VENTILADOR
922	197D2722P001	SOPORTE VENTILADOR DELANTERO
923	197D2407P013	MOTOR CONDENSADOR
923	197D2407P016	MOTOR CONDENSADOR
924	203C5909P002	REFUERZO EVAPORADOR/VE
925	197D2968P001	SOPORTE VENTILADOR POST.
926	197D2774G012	SOPORTE-CONDENSADOR ENS
927	197D3309P002	SOPORTE CONDENSADOR
928	203C4219P001	CLIP CONDENSADOR
929	200D4067G004	CONDENSER, MTG ASM (EMB)
930	203C5866P002	BAFFLE COND AIR
931	868903P015	LLANTA ALAMBRE
932	200D7651G003	HARNES INFERIOR DE GAB
933	130035P004	MORDAZA CABLE
935	200D1776P002	CUBIERTA LINEA DE AGUA
943	200D5948P003	INVERTER EMB COMP MOUNERTER EMB COMP MOUN
943	200D5948P014	INVERTER EMB COMP MOUNERTER EMB COMP MOUN
943	200D5948P022	ENS. INVERSOR COMPRESOR
943	200D7661G008	ENS. INVERSOR COMPRESOR
944	197D6930P001	FLUJOMETRO
945	238C2978P003	SOPORTE FLUJOMETRO
947	197D5678G001	VALVULA 3 VIAS ENS
948	197D7451G001	HARNES 3-WAY V
958	200D7973P001	PUENTE TUBO FLUJOMETRO
960	200D4908G003	TROUGH DRAIN AS
1013	8911201P39	TORNILLO
1014	8911201P528	SCR 8-18 AB PHR 1/2 S



REFRIGERADOR PIM25PGTF GV

Guía	Componente	Descripción
1026	355B1024P002	RIEL ESPACIADOR FRONT.
1027	355B1024P004	RIEL ESPACIADOR FRONT.