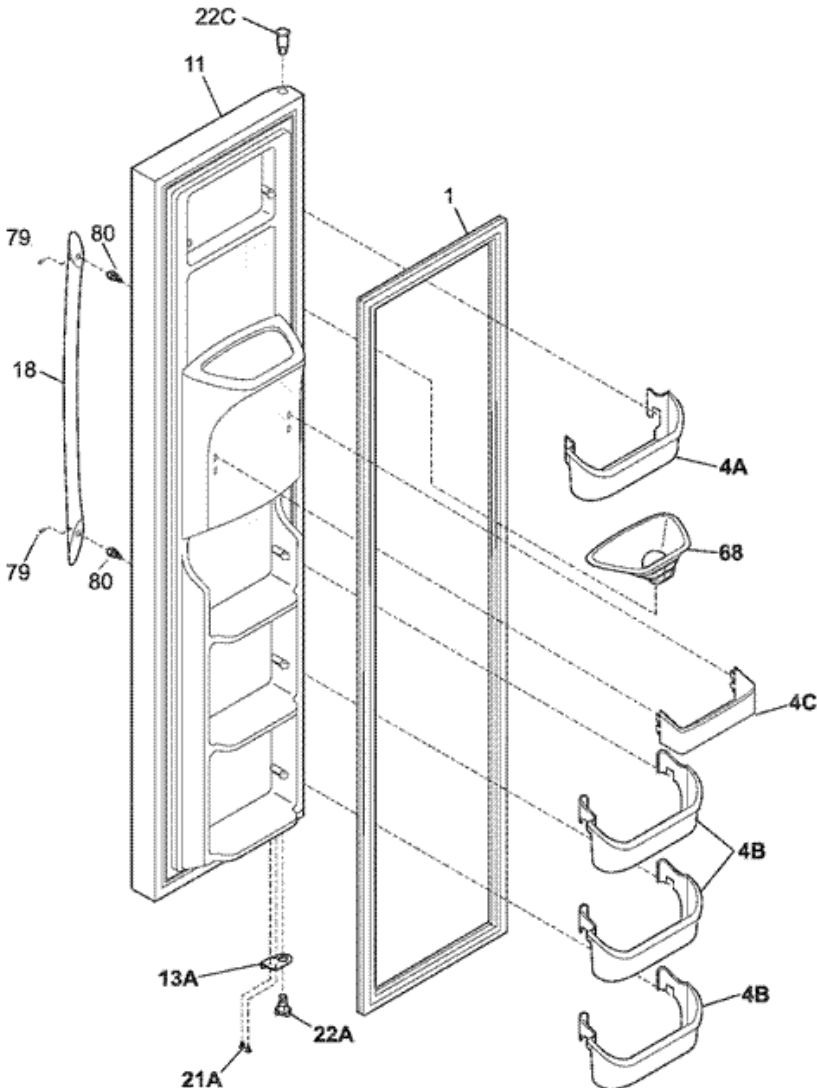


**PLHS267ZDB7 FREEZER DOOR**

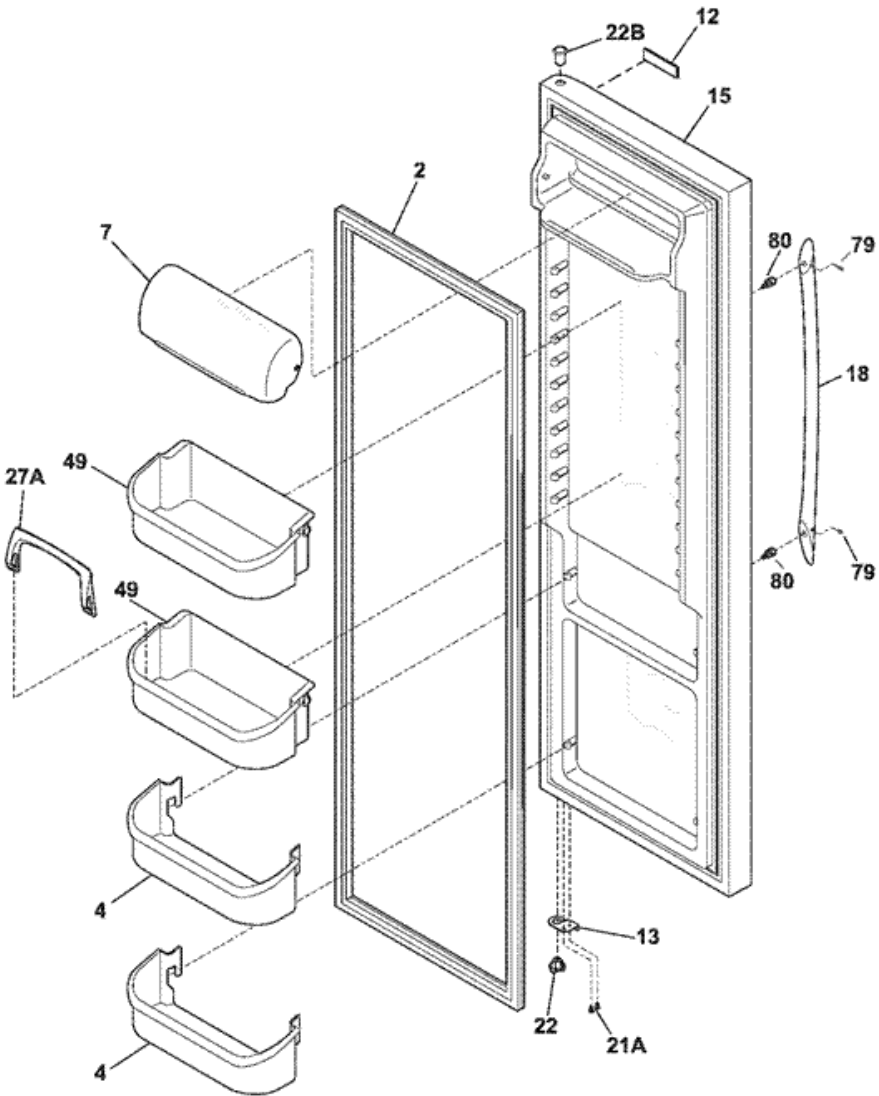




**PLHS267ZDB7 FREEZER DOOR**

11	241615116	DOOR-FRZR,STAINLESS ,COMPLETE ASSY
13A	240581906	DOOR STOP,BLACK ,FRZR
18	240536801	HANDLE-DOOR,STAINLESS STEEL ,WITH INSERT
21A	240598401	SCREW,10-32 X 1/2
22A	240328204	BEARING-HINGE(FRZ),BLACK ,CLOSER
22C	240328404	BEARING-HINGE,BLACK ,UPPER
4A	240334201	BIN-DOOR,FRZR-UPPER
4B	240351601	BIN-DOOR
4C	240351701	BIN-DOOR,FRZR-DISPENSER
68	241525101	CHUTE-ICE
79	218755402	SCREW-SET,10-32 X 0.375
80	218755503	SCREW-SHOULDER,NO.10 AB ,HANDLE MOUNTING
F1	240390606	GASKET-FRZR DOOR,BLACK ,MAGNETIC

**PLHS267ZDB7 REFRIGERATOR DOOR**

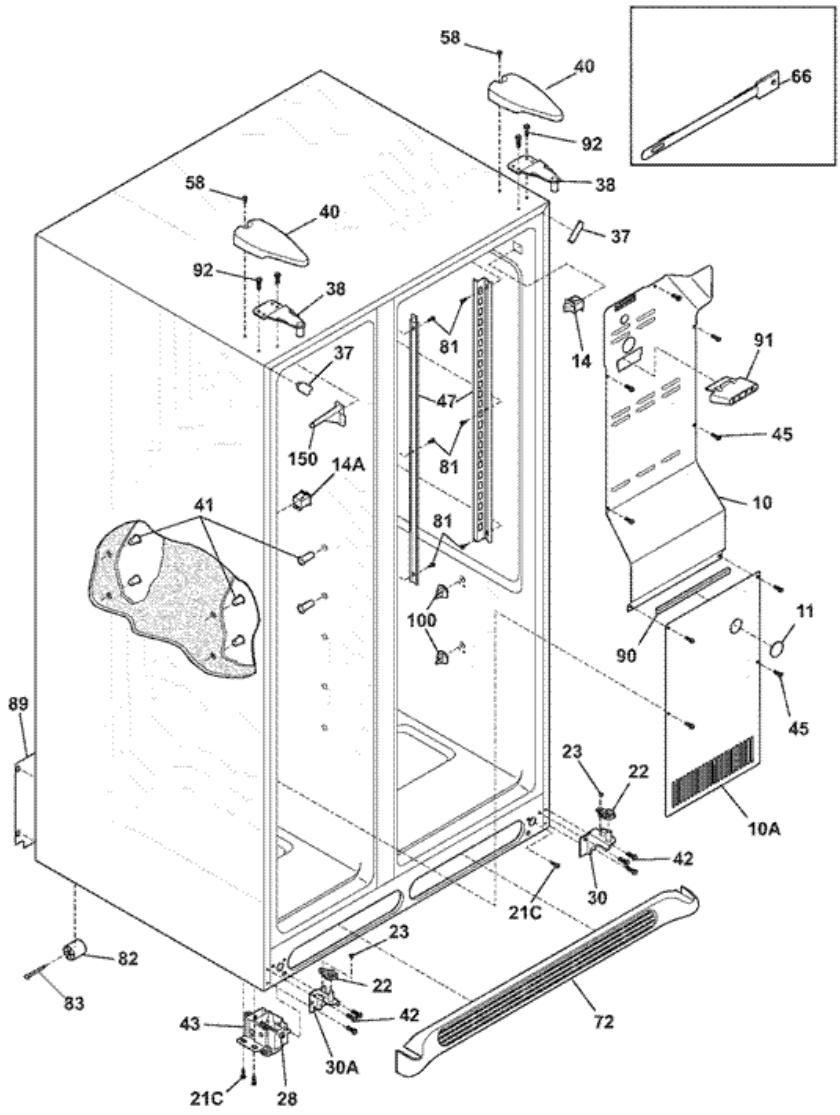




## PLHS267ZDB7 REFRIGERATOR DOOR

2	240390605	GASKET-REFR DOOR,BLACK ,MAGNETIC
4	240323002	BIN-DOOR,PSEUDO ,BOTTOM
7	240326203	DOOR-DAIRY
12	240558802	LABEL-NAMEPLATE
13	240581905	DOOR STOP,BLACK ,REF
15	241534541	DOOR-REFR,STAINLESS STEEL ,COMPLETE ASSY
18	240536801	HANDLE-DOOR,STAINLESS STEEL ,WITH INSERT
21A	240598401	SCREW ,10-32 X 1/2
22	240328203	BEARING-HINGE,BLACK ,CLOSER
22B	240328404	BEARING-HINGE,BLACK ,UPPER
27A	240396102	RETAINER,TALL BOTTLE
49	240430312	BIN-DOOR,GALLON
79	218755402	SCREW-SET,10-32 X 0.375
80	218755503	SCREW-SHOULDER,NO.10 AB ,HANDLE MOUNTING

**PLHS267ZDB7 CABINET**

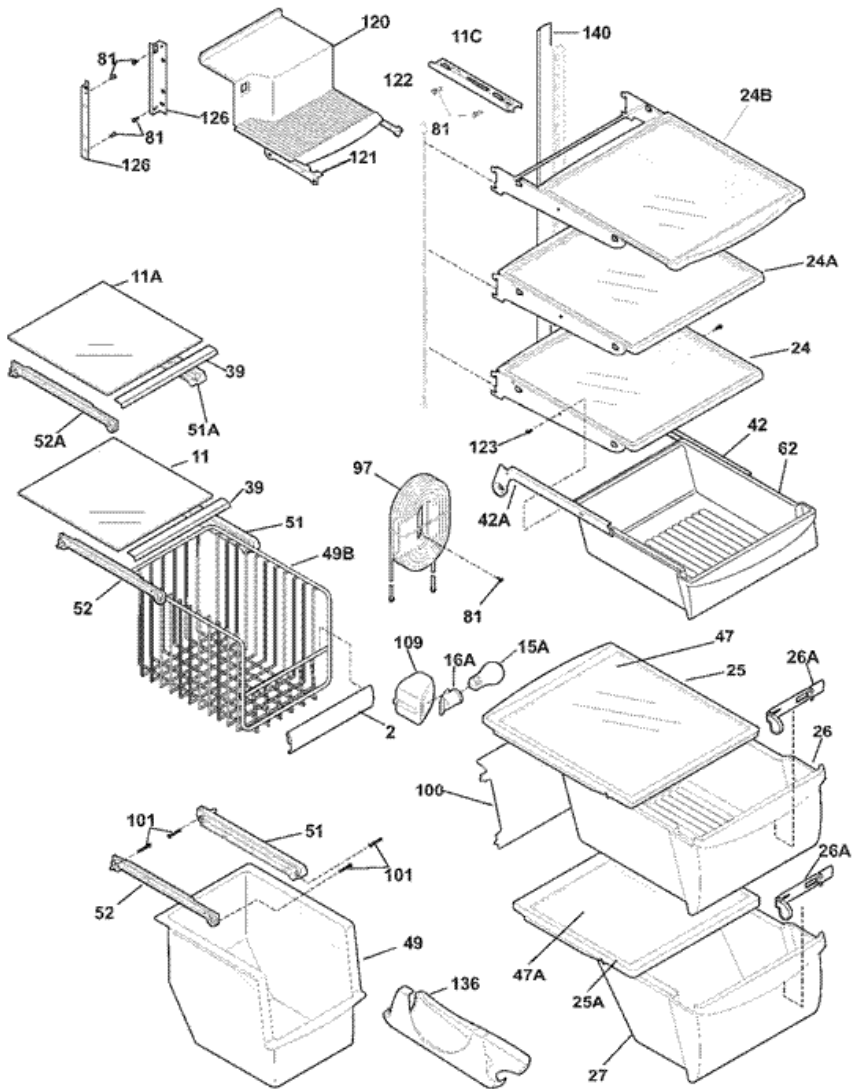




## PLHS267ZDB7 CABINET

10	240435908	COVER-AIR DUCT
10A	240475907	COVER-EVAP COIL,LOWER
11	5303208309	PLUG-HOLE, FACTORY TEST
14A	241547901	SWITCH-LIGHT/LAMP,FRZR DOOR
21C	218252200	SCREW,NO.8 TRUSS HD ,10-32CA X 0.500
22	240457702	PLATE-DOOR CLOSER
23	240402701	SCREW-NO.10-32 X 1/4 FLAT HD
28	240335501	BOLT-ROLLER ADJ,HEX WASHER HEAD
30	240419101	BRACKET-LOWER HINGE, REF
30A	240419102	BRACKET-LOWER HINGE
37	240337603	TRIM-CABINET CORNER,BLACK ,(2)
38	240327201	BRACKET-UPPER HINGE
40	240327007	COVER-UPPER HINGE,BLACK
41	241550801	GROMMET-SHELF MTG,1.40`` LONG
42	240578901	SCREW-HINGE MTG,HEX HEAD ,1/4-20 X 5/8
43	240335003	ROLLER ASSY, FRONT - IF FIXED ROLLERS W/
45	241500301	SCREW,HEX WASHER HEAD ,8-18AB X 0.500
47	240349402	CHANNEL-SHELF MTG,SIDE ,(2)
58	218781100	SCREW,PAN HEAD ,8-18 X 0.625
66	5304424968	DAMPER COVER ASSY
72	240324406	GRILLE/KICKPLATE,BLACK
81	5308016566	SCREW,HEX WASHER HEAD ,8-15A X 0.625
82	5304418225	ROLLER,COMPRESSOR BASE ,REAR ,(2)
83	5303316859	RIVET,FLAT HEAD ,1/4 OD X 1-3/4 ,ROLLER PIN
89	241574602	COVER ACCESS
90	218249808	SEAL-COIL COVER
91	240380101	DUCT-ICE MAKER
92	216850900	SCREW,HEX WASHER HD ,1/4 X 7/8 ,HINGE MTG
100	240350802	SUPPORT,CRISPER COVER ,REAR ,(4)
100	240423701	SUPPORT,CRISPER COVER ,FRONT ,(4)
150	240368701	GUIDE-CONTROL BULB
F14	240505801	SWITCH-LIGHT/LAMP

**PLHS267ZDB7 SHELVES**





## PLHS267ZDB7 SHELVES

11	240350668	SHELF-FREEZER, GLASS , LOWER
100	240326302	COVER-WATER TANK
101	218493100	SCREW, HEX WASHER HEAD `8-18AB X 1-3/4
109	240351301	BASE-CRISPER LIGHT SOCKET
11A	240350667	SHELF-FREEZER, GLASS , UPPER
11C	240324101	SHELF-PIZZA
2	241510604	TRIM-BASKET
24	240355203	SHELF-` SPILL-SAFE` , FIXED
25	240350702	COVER-CRISPER PAN, UPPER
26	240351023	PAN-CRISPER, UPPER
27	240351219	PAN-CRISPER, LOWER
39	240367602	TRIM-SHELF, FRONT
42	240356501	TRACK, MEAT PAN HANGER , RH
47	240350602	INSERT-PAN COVER, GLASS
49	240564401	BASKET-SLIDING
51	240343002	HANGER-BASKET, RH
52	240343102	HANGER-BASKET, LH
62	240342818	PAN-MEAT
81	5308016566	SCREW, HEX WASHER HEAD , 8-15A X 0.625
97	240545303	WATER TANK ASSY, COILED TUBING , FRONT FILTER
120	241559001	SHELF-ICE CREAM
121	241561001	RAIL-ICE CREAM SHELF, LH
122	241561201	RAIL-ICE CREAM SHELF, RH
123	215005100	SCREW, HANGER/RLR MTG , 8-10 X 0.438
126	218867405	CHANNEL, AUGER MTG , LH
126	218867406	CHANNEL, AUGER MTG , RH
136	240424501	DISPENSER-CAN, WHITE
140	240430501	CHANNEL, WTR TUBE COVER
15A	241555401	LIGHT BULB
24A	240355205	SHELF-` SPILL-SAFE` , FIXED
24B	240350106	SHELF-` SPILL-SAFE` , CANTILEVER , SLIDING
25A	240350902	COVER-CRISPER PAN, LOWER
26A	240362201	CONTROL-HUMIDITY



42A	240349701	HANGER-MEAT PAN,LH
42A	240349901	BLOCK-MEAT PAN RAIL,LH
42A	240350001	Â- SPRING-MEAT PAN RAIL
47A	240350603	INSERT-PAN COVER,GLASS
49B	240530504	BASKET-SLIDING,UPPER ,FULL
51A	240395502	HANGER-BASKET,RH
52A	240395602	HANGER-BASKET,LH
F16A	241513901	SOCKET-LIGHT
F16A	241537602	HARNESS-WIRING

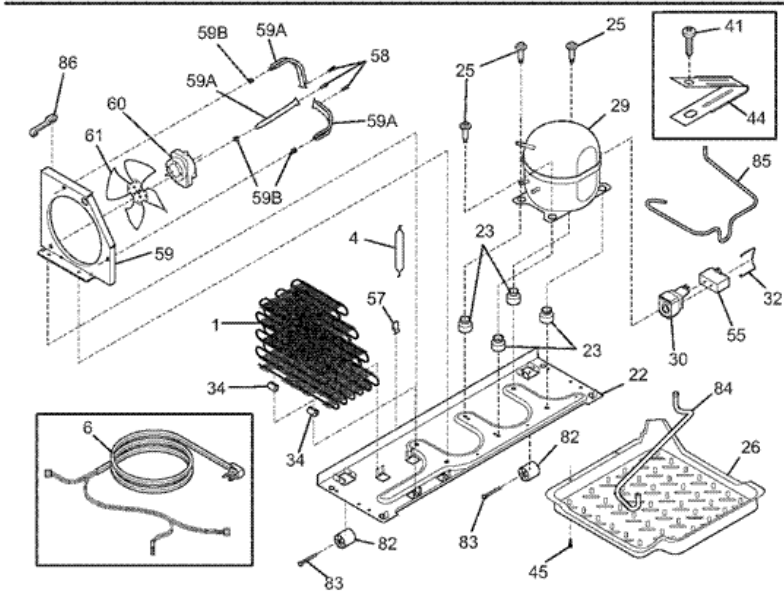
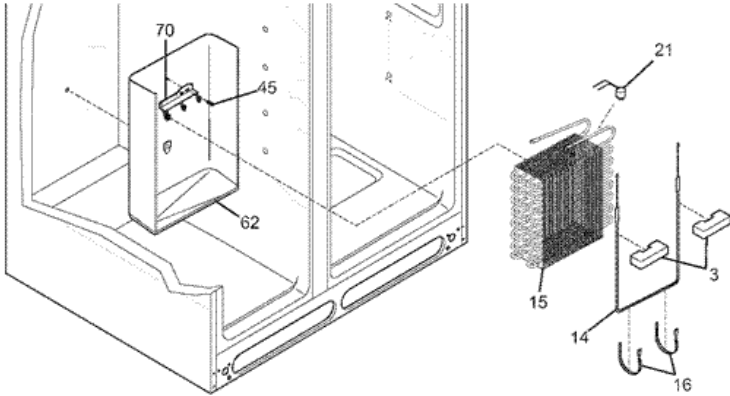




## PLHS267ZDB7 CONTROLS

8	215474201	WASHER, ``SLINGER`` ,NYLON ,EVAP FAN SHAFT
9	241563601	BUSHING-MOTOR MTG,(2)
13	240369702	MOTOR-EVAP FAN
14	241517701	CLIP,EVAP FAN MOTOR
15	241555401	LIGHT BULB
16	241513901	SOCKET-LIGHT
17	240317701	BOX-CONTROL,FRONT
18	240360801	KNOB-TEMP CONTROL
22	218660702	TUBE-INSULATOR
53	240369501	BOX-CONTROL
81	5308016566	SCREW,HEX WASHER HEAD ,8-15A X 0.625 ,
101	218493100	SCREW,HEX WASHER HEAD `8-18AB X 1-3/4
115	241600902	DAMPER ASSY,W/SEAL
137	240396401	FILTER,WATER ,CARBON CASSETTE ,FRONT
138	240397301	BUTTON-FILTER RELEASE
139	240396002	BASE-WATER FILTER
149	241563501	SHROUD-FAN ORFICE
150	240394204	INSULATION-WATER TUBE COVER
151	240373806	COVER-WATER TUBE
198	240397401	RETAINER
199	240397501	ROD
199	240398401	SPRING-FILTER RELEASE ROD
200	240397601	LIGHT PIPE
201	240398508	LABEL-CONTROL BOX
21A	5304421067	CONTROL-TEMPERATURE,FRZR SECTION
F137	240396701	BYPASS,WATER FILTER ,OPTIONAL PART
F139	240526901	O-RING,WTR FILTER BASE
F149	241528303	SEAL,FOAM ,EVAP FAN ASSY
F21	241586501	CONTROL-TEMPERATURE
F23	241508001	CONTROL-DEFROST,ADAPTIVE TIMER ,PC BOARD
F5	5308000010	FAN BLADE,RED ,EVAPORATOR FAN

**PLHS267ZDB7 SYSTEM**

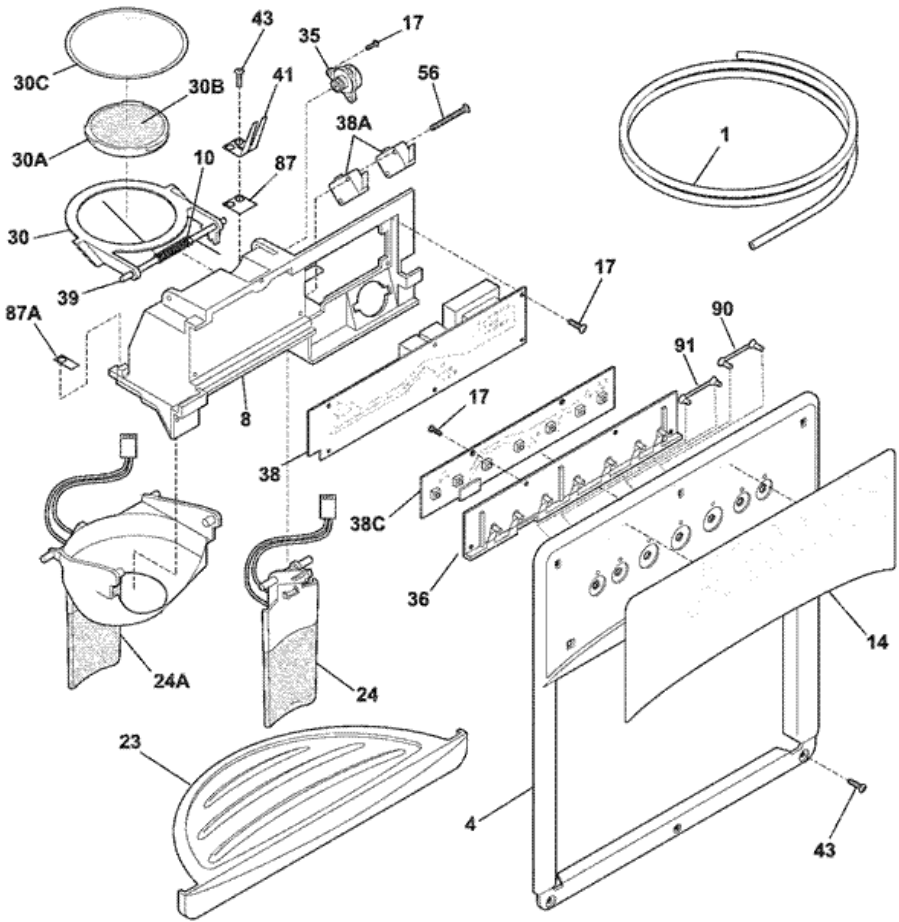




## PLHS267ZDB7 SYSTEM

1	240333603	CONDENSER
3	218679607	BLOCK-EVAP COIL,STYROFOAM ,(2)
6	241586801	HARNESS-WIRING,MACHINE COMPT
16	5308000110	STRAP-EVAP/HEATER,ALUMINUM ,(2)
21	5303918214	THERMOSTAT-DEFROST,KIT
22	240330008	BASE-COMPRESSOR MTG
23	218513300	GROMMET-COMPR MTG,(4)
25	240491501	SCREW-COMPRESSOR MTG,1/4-28 X 1.16
26	240332602	PAN-DEFROST DRAIN
29	5303918314	COMPRESSOR,W/ ELECTRICALS
32	241527901	CLAMP,ELEC CONT MTG ,COMPRESSOR
34	240405201	GROMMET,RUBBER ,BLACK ,COND TUBE/WIRE
41	240555001	SCREW-NO.8-32 X 3/8
44	215174700	CLAMP-SERVICE CORD, STRAIN RELIEF, GALV STEEL
45	5308016566	SCREW,HEX WASHER HEAD ,8-15A X 0.625 ,
55	218909915	CAPACITOR-RUN,220 VAC ,15 MICROFARAD
57	240542601	CLIP-WIRING HARNESS
59	240315501	SHROUD-COND FAN
59A	240346501	BRACKET-SUPPORT,COND MTR ,(3)
59B	240346601	GROMMET-BRACKET,(3)
61	241536201	BLADE-CONDENSER FAN
62	240429402	TROUGH-DRAIN
70	218990801	BRACKET-EVAP/CVR MTG
82	5304418225	ROLLER,COMPRESSOR BASE ,REAR ,(2)
83	5303316859	RIVET,FLAT HEAD ,1/4 OD X 1-3/4 ,ROLLER PIN
84	5304421068	TUBE-DRAIN,LOWER
85	240553501	TUBE-CONNECTOR,SUCTION
86	240409302	SPACER-COND TUBE,BLACK
F14	5303918253	DEFROST HEATER KIT
F15	5303918284	EVAPORATOR KIT
F30	241527803	STARTER-TSD
F4	218944001	DRIER-FILTER,R134A SYSTEM
F60	241584301	MOTOR-CONDENSER FAN

**PLHS267ZDB7 ICE & WATER DISPENSER**





## PLHS267ZDB7 ICE & WATER DISPENSER

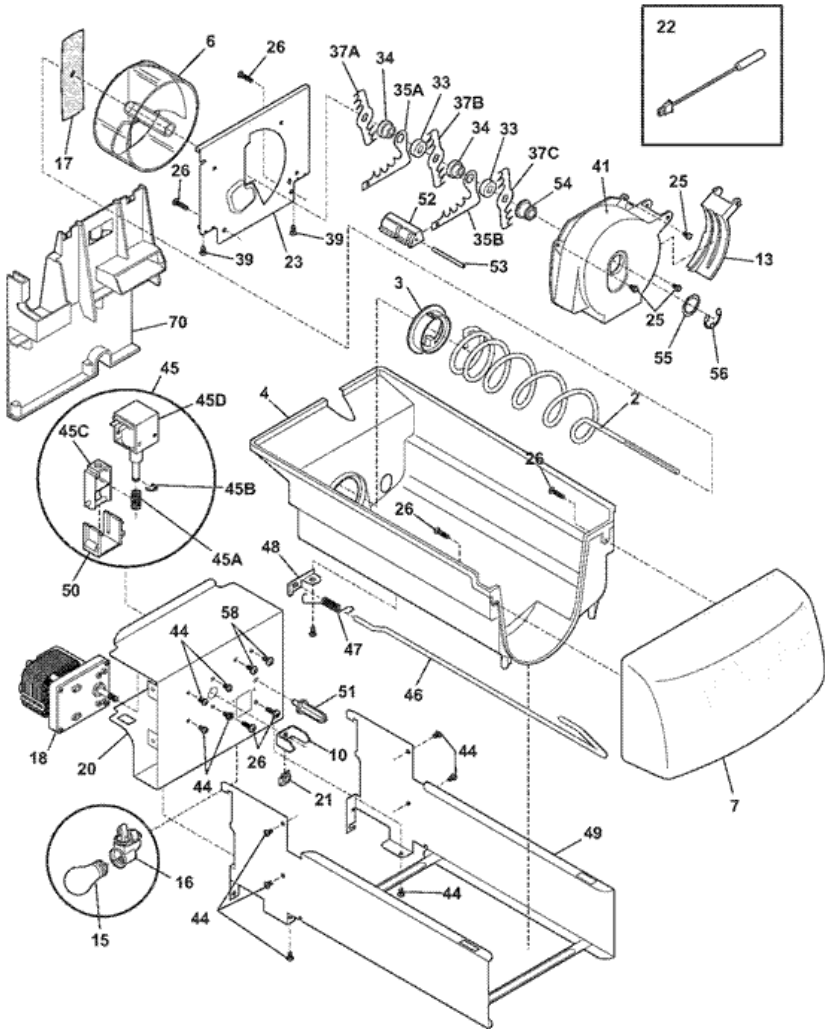
1	218976409	TUBE-WATER-DOOR
4	5304422012	COVER-MODULE,BLACK
8	5304424549	MODULE-DISPENSER
10	5304426649	SPRING-TORSION
14	240323973	LABEL-MODULE COVER,BLACK
17	5304421619	SCREW
23	240323603	DRIP TRAY,BLACK
24	5304433613	ACTUATOR-WATER,BLACK
24A	5304433610	ACTUATOR-ICE,BLACK
30	5304421628	DOOR ASSY-ICE CHUTE
30A	5304421624	DOOR CENTER
30B	5304421625	INSULATION-DOOR
30C	5304421629	DOOR SEAL
35	5304421620	DAMPER-ROTARY
36	5304421824	CARRIER
38	5304433619	BOARD-POWER
38A	5304421617	SWITCH-MICRO,SINGLE POLE ,DOUBLE THROW
38C	5304430811	HARNESS-RIBBON CABLE
38C	5304441058	BOARD-CONTROL
39	5304421627	PIN-HINGE
41	5304421829	SPRING-ACTUATOR
43	215296300	SCREW,PLASK H/L ,NO.6 X 3/8
56	5304421830	SCREW-MICRO SWITCH,PAN HEAD
87	5304421622	BEARING PLATE
87A	5304421621	BEARING PLATE
90	5304421831	LIGHT PIPE,REFLECTOR
91	5304421850	LIGHT PIPE,REFLECTOR ,SHORT

Distribuidor Autorizado

SurteRápido.com

Venta de Refacciones  
Electrodomesticas

## PLHS267ZDB7 ICE CONTAINER







## PLHS267ZDB7 ICE CONTAINER

2	5304428402	AUGER-ICE
3	5304404343	CAM-DRIVE
4	241561301	CONTAINER-ICE,BUCKET ONLY
6	5304404346	DRUM-ICE DISP
7	241561401	FRONT-ICE CONTAINER
10	5304404337	BAR-DRIVE
13	5304404359	GATE
15	241555401	LIGHT BULB
16	241559801	SOCKET-LIGHT
17	5304404345	DRIVE BLADE
20	5304404332	COVER-MOTOR
21	215285100	NUT-DRIVE
22	240597201	SENSOR
23	5304404347	PLATE-FRONT
25	5304404362	SCREW,HEX WASHER HEAD ,8-32T X 0.375
26	5304420654	SCREW-THERMO/SPRT`4-24 X 0.375 `(4)
33	5304404351	SPACER
34	5304404349	SPACER
35A	5304404353	FIXED BLADE,ROUND
35B	5304404352	FIXED BLADE,SQUARE
37A	5304404348	BLADE,CRUSHER NO.1
37B	5304404350	BLADE,CRUSHER NO.2
37C	5304404356	BLADE-CRUSHER,NO.3
39	5304404365	SCREW
41	5304404358	HOUSING-CRUSHER
44	218359200	SCREW,PAN HEAD ,8-32 X 0.250
45A	5304406816	SPRING-SOLENOID
45B	5304406817	E-RING-SOLENOID
45C	5304406818	ACTUATOR-SOLENOID
45D	5304406819	SOLENOID
46	5304404341	CONTROL ROD
47	5304404342	SPRING-CONTROL ROD
48	5304404340	BRACKET-CONTROL ROD
49	5304404329	RAIL ASSY

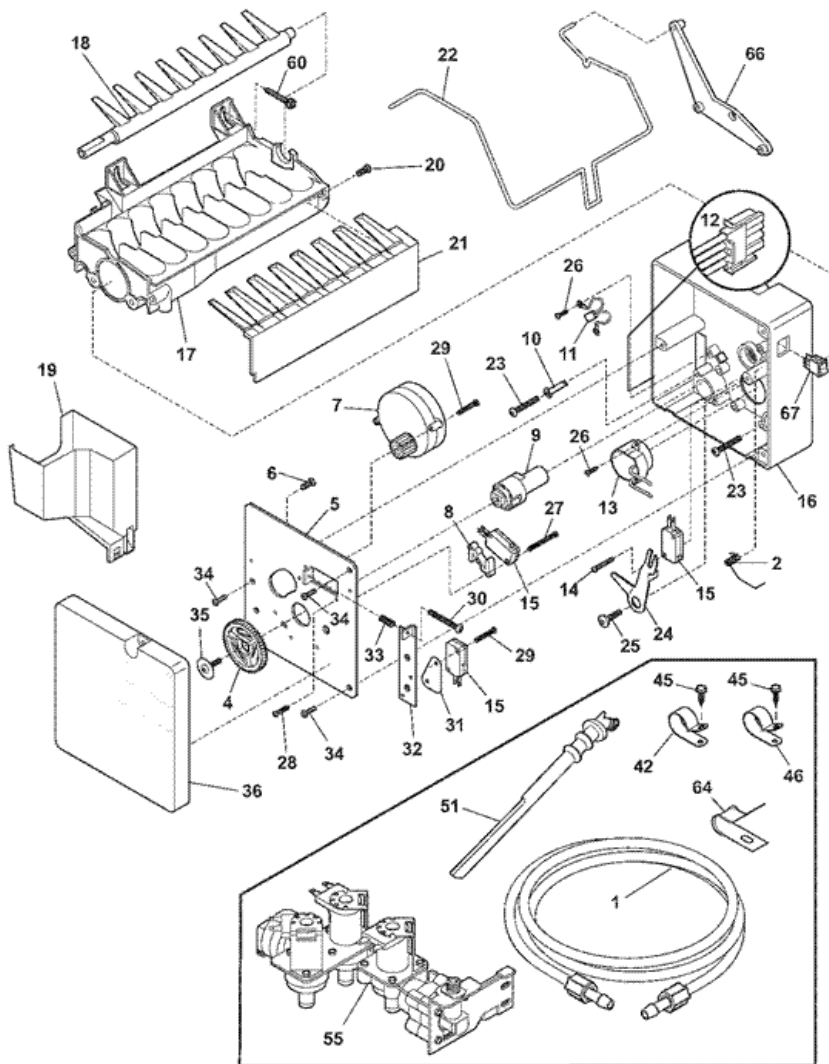
50	5304404334	GUIDE-SOLENOID
51	5304404336	ROTATION STOP
52	5304404354	SPACER-FIXED BLADES
53	5304404355	PIN-SPIRAL, FIXED BLADES
54	5304404357	NUT-AUGER
55	5304404360	WASHER
56	5304404361	E-RING
58	5304404331	SCREW-SOLENOID
70	241561502	PLATE-MOUNTING
F18	5304440392	MOTOR-AUGER
F45	5304404333	SOLENOID ASSY

Distribuidor Autorizado

SurteRápido.com

Venta de Refacciones  
Electrodomesticas

## PLHS267ZDB7 ICE MAKER





## PLHS267ZDB7 ICE MAKER

1	218976409	TUBE-WATER-DOOR
2	5304436616	SPRING,TORSION
4	3206301	GEAR
5	5304436604	PLATE-MOUNTING
6	3206305	SCREW-GROUND WIRE,8-32 X 0.250
8	3206312	SPACER-HOLD SWITCH
9	5304436610	DETENT
10	3206315	CLAMP
12	5304436614	HARNESS-WIRING
13	5304436613	THERMOSTAT,ICE MAKER
14	5304420652	SCREW,4 X 0.750 ,SWITCH MTG.
16	5304436609	HOUSING,CONTROL
18	5304436607	EJECTOR-ICE
19	5304436606	CUP-WATER INLET
20	5304408581	SCREW,8-32 X 0.375
21	5304436608	ICE STRIPPER
22	5304436602	SHUT-OFF ARM
23	5304408582	SCREW,8-32 X 0.875 ,MOLD-TO-SUPPORT ,(3)
24	3206335	LEVER-ARM
25	3206336	SCREW,8-18 X 0.562 ,LEVER ARM/SPRT
26	5304420654	SCREW-THERMO/SPRT`4-24 X 0.375 `(4)
27	3206338	SCREW,4-40 X 1.000 ,HOLD SWITCH MTG ,(2)
28	3206339	SCREW-TIMING STOP`4-40 X 0.375
29	3206323	SCREW,4-24 X 0.750 ,(6)
30	3206341	SCREW-TIMING ADJ,8-32 X 1.000
31	3206342	INSULATOR
32	3206343	PLATE-VALVE SWITCH
33	5304436615	SPRING-THERMOSTAT
34	5304420655	SCREW,PLAZSCREW ,8-10 ,(3)
35	5304408585	SCREW
36	5304436605	COVER-ICE MAKER
42	5303001199	CLAMP-WIRING HARNESS,STRAIN RELIEF
45	5303001343	SCREW,HEX WASHER HEAD ,8-15A X 0.500

46	5303001193	CLAMP,.50 ID ,STEEL ,WATER TUBE
51	241523503	TUBE-WATER FILL,EXTENSION
60	5303207328	SCREW,HEX WASHER HEAD ,8-15A X 1.000 ,(2)
64	5303001549	CLAMP,0.31 ID ,STEEL ,COPPER WTR LINE
66	5304436611	BRACKET-ICE MAKER
67	5304436612	SWITCH,ON/OFF
F11	5304436618	THERMAL CUTOFF,ICE MAKER ,COMPLETE ASSY
F15	3206324	SWITCH,(3)
F17	5304436617	MOLD-ICE MAKER,WITH HEATER
F55	240531101	VALVE-WATER,TRIPLE SOLENOID
F7	5304436619	MOTOR-ICE MAKER